



SPORTSFIELD SPECIALTIES

www.sportsfield.com | 888-975-3343

*Excellence from
Design to Installation*



AdjustRight® Football Goal Posts



Sportsfield Specialties, Inc. 41155 State Hwy 10. Delhi, NY 13753



About Our Patented AdjustRight® Feature

The patented AdjustRight® feature allows for easy installation through the adjustment of an internal locking rotating sleeve at both the gooseneck / crossbar and upright / crossbar connections. This adjustment can easily be repeated throughout the life of the football goal post ensuring proper alignment of all components for years of competition and all with the added benefit of no exposed hardware on the face of the goal and more importantly, no locking roll pins! Thermal arc sprayed internal textured mating surfaces, a triangular bolting pattern and anti-vibration enhancements such as serrated washers and nyloc coated bolt ends ensure the Sportsfield Specialties AdjustRight® Football Goal Posts remain in position. U.S. Patents: #7,014,578; #7,883,432; and #7,914,401

AdjustRight® Upright Alignment Technology is guaranteed to ease installation and allow for adjustment throughout the life of the product!

AdjustRight® Plate Mount Football Goal Posts



Product Overview

- Base plate models include a gusset reinforced base plate with leveling screws and a corresponding base plate mounting kit
- Patented AdjustRight® upright alignment technology
- NEW! Fade resistant super durable powder coated finish
- Heavy-duty aluminum construction is exceptionally strong while remaining lightweight for handling and installation
- Available with 6' or 8' offset; 20', 30' or 35' uprights
- U.S. Patents: #7,014,578; #7,883,432; and #7,914,401
- Goal Post Pads and Access Frames sold separately

Item Number	Product Description
GP620HSPL	High School Football Goal Post; 6' offset, 20' upright, 23'-4" crossbar
GP630HSPL	High School Football Goal Post; 6' offset, 30' upright, 23'-4" crossbar
GP820HSPL	High School Football Goal Post; 8' offset, 20' upright, 23'-4" crossbar
GP830HSPL	High School Football Goal Post; 8' offset, 30' upright, 23'-4" crossbar
GP835HSPL	High School Football Goal Post; 8' offset, 35' fixed upright*, 23'4" crossbar
GP620COLPL	College Football Goal Post; 6' offset, 20' upright, 18'-6" crossbar
GP630COLPL	College Football Goal Post; 6' offset, 30' upright, 18'-6" crossbar
GP820COLPL	College Football Goal Post; 8' offset, 20' upright, 18'-6" crossbar
GP830COLPL	College Football Goal Post; 8' offset, 30' upright, 18'-6" crossbar
GP835COLPL	College Football Goal Post; 8' offset, 35' fixed upright*, 18'6" crossbar
GP620ADJPL	Adjustable crossbar College / H.S. Football Goal Post; 6' offset, 20' upright
GP630ADJPL	Adjustable crossbar College / H.S. Football Goal Post; 6' offset, 30' upright
GP820ADJPL	Adjustable crossbar College / H.S. Football Goal Post; 8' offset, 20' upright
GP830ADJPL	Adjustable crossbar College / H.S. Football Goal Post; 8' offset, 30' upright
GP635PROPL	Professional Football Goal Post; 6' offset, 35' fixed upright*, 18'-6" crossbar

*AdjustRight® feature replaced with fixed upright



AdjustRight® Ground Sleeve Football Goal Posts

Product Overview

- Ground Sleeve models include an 8" dia. x 5' steel ground sleeve
- Patented AdjustRight® upright alignment technology
- NEW! Fade resistant super durable powder coated finish
- Heavy-duty aluminum construction is exceptionally strong while remaining lightweight for handling and installation
- Available with 6' or 8' offset; 20', 30' or 35' uprights
- U.S. Patents: #7,014,578; #7,883,432; and #7,914,401
- Goal Post Pads and Access Frames sold separately



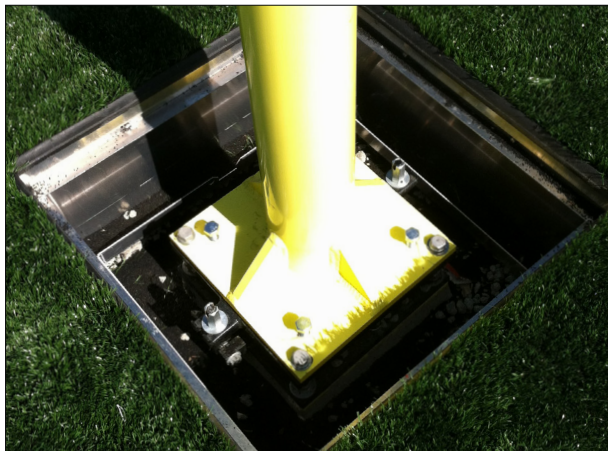
Item Number	Product Description
GP620HS	High School Football Goal Post; 6' offset, 20' upright, 23'-4" crossbar
GP630HS	High School Football Goal Post; 6' offset, 30' upright, 23'-4" crossbar
GP820HS	High School Football Goal Post; 8' offset, 20' upright, 23'-4" crossbar
GP830HS	High School Football Goal Post; 8' offset, 30' upright, 23'-4" crossbar
GP835HS	High School Football Goal Post; 8' offset, 35' fixed upright*, 23'-4" crossbar
GP620COL	College Football Goal Post; 6' offset, 20' upright, 18'-6" crossbar
GP630COL	College Football Goal Post; 6' offset, 30' upright, 18'-6" crossbar
GP820COL	College Football Goal Post; 8' offset, 20' upright, 18'-6" crossbar
GP830COL	College Football Goal Post; 8' offset, 30' upright, 18'-6" crossbar
GP835COL	College Football Goal Post; 8' offset, 35' fixed upright*, 18'-6" crossbar
GP620ADJ	Adjustable crossbar College / H.S. Football Goal Post; 6' offset, 20' upright
GP630ADJ	Adjustable crossbar College / H.S. Football Goal Post; 6' offset, 30' upright
GP820ADJ	Adjustable crossbar College / H.S. Football Goal Post; 8' offset, 20' upright
GP830ADJ	Adjustable crossbar College / H.S. Football Goal Post; 8' offset, 30' upright
GP635PRO	Professional Football Goal Post; 6' offset, 35' fixed upright*, 18'-6" crossbar



AdjustRight® Rotating Football Goal Posts

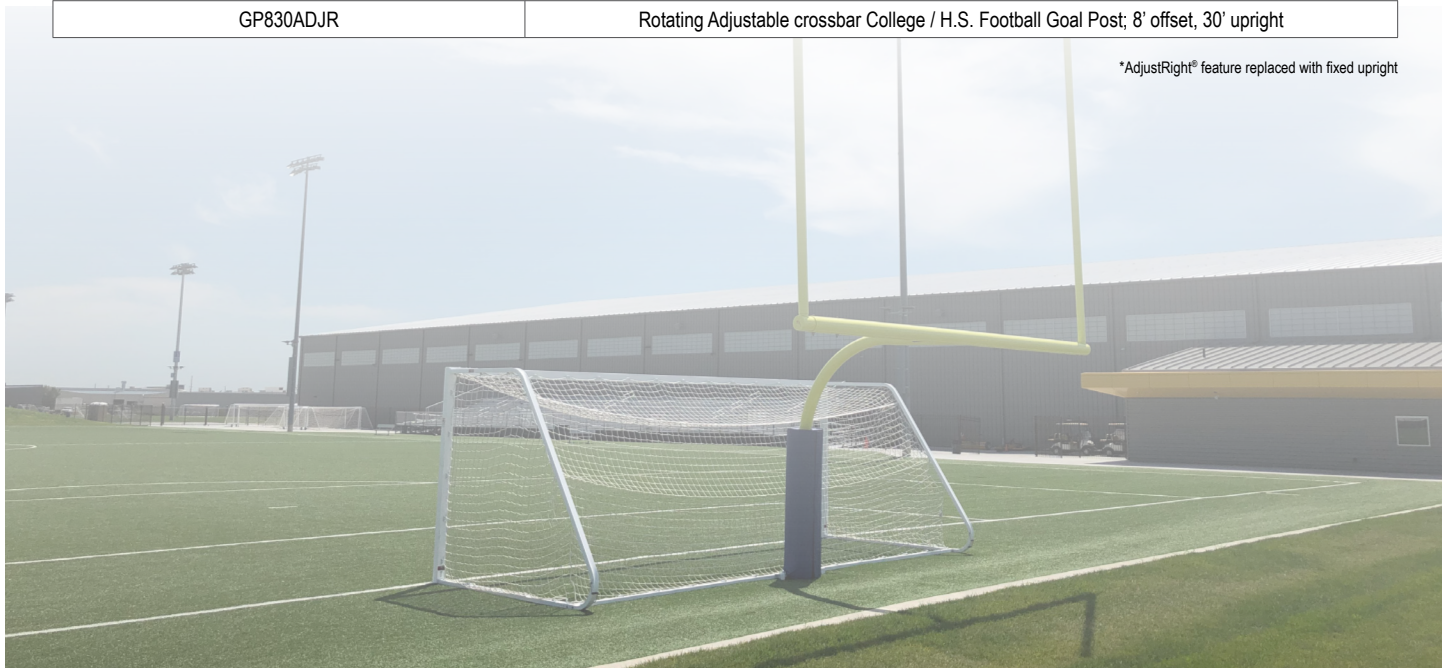
Product Overview

- Patented 360° rotating design is operable with one person and most commonly used to eliminate Soccer Goal interference when located on a multi-purpose playing field
- Patented AdjustRight® upright alignment technology
- NEW! Fade resistant super durable powder coated finish
- Heavy-duty aluminum construction is exceptionally strong while remaining lightweight for handling and installation
- Available with 6' or 8' offset; 20', 30' or 35' uprights
- U.S. Patents: #7,014,578; #7,883,432; #7,914,401 and #10,159,881
- Goal Post Pads and Access Frames sold separately



Item Number	Product Description
GP620HSR	Rotating High School Football Goal Post; 6' offset, 20' upright, 23'-4" crossbar
GP630HSR	Rotating High School Football Goal Post; 6' offset, 30' upright, 23'-4" crossbar
GP820HSR	Rotating High School Football Goal Post; 8' offset, 20' upright, 23'-4" crossbar
GP830HSR	Rotating High School Football Goal Post; 8' offset, 30' upright, 23'-4" crossbar
GP835HSR	Rotating High School Football Goal Post; 8' offset, 35' fixed upright*, 23'-4" crossbar
GP620COLR	Rotating College Football Goal Post; 6' offset, 20' upright, 18'-6" crossbar
GP630COLR	Rotating College Football Goal Post; 6' offset, 30' upright, 18'-6" crossbar
GP820COLR	Rotating College Football Goal Post; 8' offset, 20' upright, 18'-6" crossbar
GP830COLR	Rotating College Football Goal Post; 8' offset, 30' upright, 18'-6" crossbar
GP835COLR	Rotating College Football Goal Post; 8' offset, 35' fixed upright*, 18'-6" crossbar
GP620ADJR	Rotating Adjustable crossbar College / H.S. Football Goal Post; 6' offset, 20' upright
GP630ADJR	Rotating Adjustable crossbar College / H.S. Football Goal Post; 6' offset, 30' upright
GP820ADJR	Rotating Adjustable crossbar College / H.S. Football Goal Post; 8' offset, 20' upright
GP830ADJR	Rotating Adjustable crossbar College / H.S. Football Goal Post; 8' offset, 30' upright

*AdjustRight® feature replaced with fixed upright





AdjustRight® Gooseneck Hinged Football Goal Posts

Product Overview

- Ideal for NFL and Division I NCAA stadium venues
- Utilized where crowd control and ease of operation are priority
- Patented hydraulic hinge lowers goal post in +/- 10 seconds
- Unique design allows uprights to lay flat in the lowered position
- Restore to the upright position in +/- 60 seconds with electric drill
- Hydraulic assembly conveniently mounted at eye level
- NEW! Fade resistant super durable powder coated finish
- Goal post pads and access frame kits sold separately
- U.S. Patent: #8,496,547



Ground Sleeve

Item Number	Product Description
GP620HSGH	Gooseneck Hinged High School Football Goal Post; 6' offset, 20' upright, 23'-4" crossbar - Ground sleeve
GP820HSGH	Gooseneck Hinged High School Football Goal Post; 8' offset, 20' upright, 23'-4" crossbar - Ground sleeve
GP630HSGH	Gooseneck Hinged High School Football Goal Post; 6' offset, 30' upright, 23'-4" crossbar - Ground sleeve
GP830HSGH	Gooseneck Hinged High School Football Goal Post; 8' offset, 30' upright, 23'-4" crossbar - Ground sleeve
GP635HSGH	Gooseneck Hinged High School Football Goal Post; 6' offset, 35' fixed upright, 23'-4" crossbar - Ground sleeve
GP835HSGH	Gooseneck Hinged High School Football Goal Post; 8' offset, 35' fixed upright, 23'-4" crossbar - Ground sleeve
GP620COLGH	Gooseneck Hinged College Football Goal Post; 6' offset, 20' upright, 18'-6" crossbar - Ground sleeve
GP820COLGH	Gooseneck Hinged College Football Goal Post; 8' offset, 20' upright, 18'-6" crossbar - Ground sleeve
GP630COLGH	Gooseneck Hinged College Football Goal Post; 6' offset, 30' upright, 18'-6" crossbar - Ground sleeve
GP830COLGH	Gooseneck Hinged College Football Goal Post; 8' offset, 30' upright, 18'-6" crossbar - Ground sleeve
GP635COLGH	Gooseneck Hinged College Football Goal Post; 6' offset, 35' fixed upright, 18'-6" crossbar - Ground sleeve
GP835COLGH	Gooseneck Hinged College Football Goal Post; 8' offset, 35' fixed upright, 18'-6" crossbar - Ground sleeve
GP620ADJGH	Gooseneck Hinged Adjustable crossbar College / H.S. Football Goal Post; 6' offset, 20' upright - Ground sleeve
GP820ADJGH	Gooseneck Hinged Adjustable crossbar College / H.S. Football Goal Post; 8' offset, 20' upright - Ground sleeve
GP630ADJGH	Gooseneck Hinged Adjustable crossbar College / H.S. Football Goal Post; 6' offset, 30' upright - Ground sleeve
GP830ADJGH	Gooseneck Hinged Adjustable crossbar College / H.S. Football Goal Post; 8' offset, 30' upright - Ground sleeve
GP635PROGH	Gooseneck Hinged Professional Football Goal Post; 6' offset, 35' fixed upright, 18'-6" crossbar - Ground sleeve
GP835PROGH	Gooseneck Hinged Professional Football Goal Post; 8' offset, 35' fixed upright, 18'-6" crossbar - Ground sleeve

*AdjustRight® feature replaced with fixed upright



Easy to Operate!

AdjustRight® Gooseneck Hinged Football Goal Posts (Continued)

Plate Mount

Item Number	Product Description
GP620HSGHPL	Gooseneck Hinged High School Football Goal Post; 6' offset, 20' upright, 23'-4" crossbar - Plate mount
GP820HSGHPL	Gooseneck Hinged High School Football Goal Post; 8' offset, 20' upright, 23'-4" crossbar - Plate mount
GP630HSGHPL	Gooseneck Hinged High School Football Goal Post; 6' offset, 30' upright, 23'-4" crossbar - Plate mount
GP830HSGHPL	Gooseneck Hinged High School Football Goal Post; 8' offset, 30' upright, 23'-4" crossbar - Plate mount
GP635HSGHPL	Gooseneck Hinged High School Football Goal Post; 6' offset, 35' fixed upright, 23'-4" crossbar - Plate mount
GP835HSGHPL	Gooseneck Hinged High School Football Goal Post; 8' offset, 35' fixed upright, 23'-4" crossbar - Plate mount
GP620COLGHPL	Gooseneck Hinged College Football Goal Post; 6' offset, 20' upright, 18'-6" crossbar - Plate mount
GP820COLGHPL	Gooseneck Hinged College Football Goal Post; 8' offset, 20' upright, 18'-6" crossbar - Plate mount
GP630COLGHPL	Gooseneck Hinged College Football Goal Post; 6' offset, 30' upright, 18'-6" crossbar - Plate mount
GP830COLGHPL	Gooseneck Hinged College Football Goal Post; 8' offset, 30' upright, 18'-6" crossbar - Plate mount
GP635COLGHPL	Gooseneck Hinged College Football Goal Post; 6' offset, 35' fixed upright, 18'-6" crossbar - Plate mount
GP835COLGHPL	Gooseneck Hinged College Football Goal Post; 8' offset, 35' fixed upright, 18'-6" crossbar - Plate mount
GP620ADJGHPL	Gooseneck Hinged Adjustable crossbar College / H.S. Football Goal Post; 6' offset, 20' upright - Plate mount
GP820ADJGHPL	Gooseneck Hinged Adjustable crossbar College / H.S. Football Goal Post; 8' offset, 20' upright - Plate mount
GP630ADJGHPL	Gooseneck Hinged Adjustable crossbar College / H.S. Football Goal Post; 6' offset, 30' upright - Plate mount
GP830ADJGHPL	Gooseneck Hinged Adjustable crossbar College / H.S. Football Goal Post; 8' offset, 30' upright - Plate mount
GP635PROGHPL	Gooseneck Hinged Professional Football Goal Post; 6' offset, 35' fixed upright, 18'-6" crossbar - Plate mount
GP835PROGHPL	Gooseneck Hinged Professional Football Goal Post; 8' offset, 35' fixed upright, 18'-6" crossbar - Plate mount

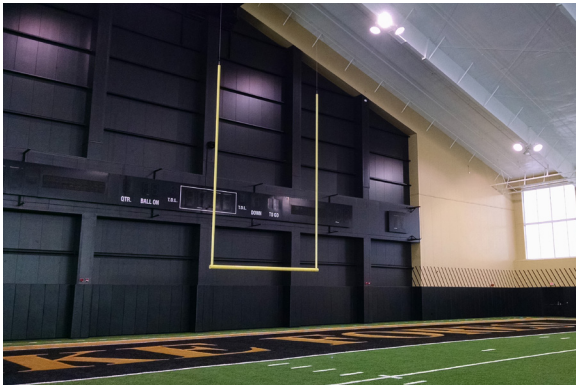
AdjustRight® Rotating & Gooseneck Hinged Football Goal Posts



Product Overview

- Patented rotating and gooseneck hinged design lowers goal post in +/- 10 seconds
- 360° rotating design is operable with one person and is commonly used to eliminate Soccer Goal interference when located on a multi-purpose playing field
- Hydraulic assembly conveniently mounted at eye level
- Restore to the upright position in +/- 60 seconds with an electric drill
- Includes Sportsfield's patented AdjustRight® upright alignment technology
- IMPROVED! Fade-resistant super durable powder-coated finish
- Heavy-duty aluminum construction is exceptionally strong while remaining lightweight for handling and installation
- Available with 8' offset; 20', 30' or 35' uprights
- U.S. Patents: #8,496,547, #7,014,578; #7,883,432; #7,914,401, and #10,159,881

Item Number	Product Description
GP620HSRGH	Rotating and Gooseneck Hinged High School Football Goal Post; 6' offset, 20' upright, 23'-4" crossbar
GP630HSRGH	Rotating and Gooseneck Hinged High School Football Goal Post; 6' offset, 30' upright, 23'-4" crossbar
GP820HSRGH	Rotating and Gooseneck Hinged High School Football Goal Post; 8' offset, 20' upright, 23'-4" crossbar
GP830HSRGH	Rotating and Gooseneck Hinged High School Football Goal Post; 8' offset, 30' upright, 23'-4" crossbar
GP835HSRGH	Rotating and Gooseneck Hinged High School Football Goal Post; 8' offset, 35' fixed upright*, 23'-4" crossbar
GP620COLRGH	Rotating and Gooseneck Hinged College Football Goal Post; 6' offset, 20' upright, 18'-6" crossbar
GP630COLRGH	Rotating and Gooseneck Hinged College Football Goal Post; 6' offset, 30' upright, 18'-6" crossbar
GP820COLRGH	Rotating and Gooseneck Hinged College Football Goal Post; 8' offset, 20' upright, 18'-6" crossbar
GP830COLRGH	Rotating and Gooseneck Hinged College Football Goal Post; 8' offset, 30' upright, 18'-6" crossbar
GP835COLRGH	Rotating and Gooseneck Hinged College Football Goal Post; 8' offset, 35' fixed upright*, 18'-6" crossbar
GP620ADJRGH	Rotating and Gooseneck Hinged Adjustable crossbar College / H.S. Football Goal Post; 6' offset, 20' upright
GP630ADJRGH	Rotating and Gooseneck Hinged Rotating Adjustable crossbar College / H.S. Football Goal Post; 6' offset, 30' upright
GP820ADJRGH	Rotating and Gooseneck Hinged Rotating Adjustable crossbar College / H.S. Football Goal Post; 8' offset, 20' upright
GP830ADJRGH	Rotating and Gooseneck Hinged Rotating Adjustable crossbar College / H.S. Football Goal Post; 8' offset, 30' upright

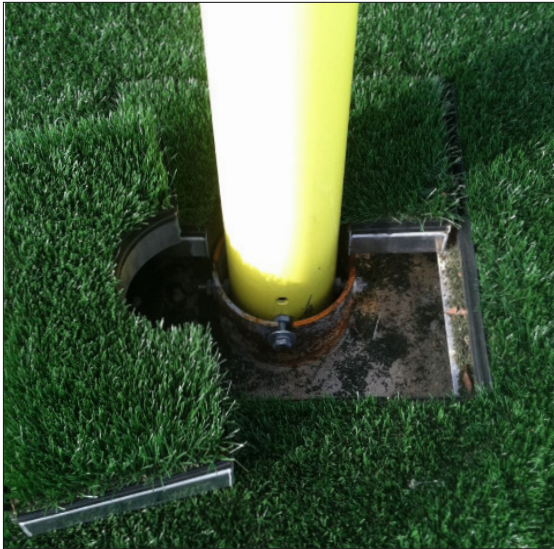


Hanging Football Goal Posts

Product Overview

- Ceiling suspended design is ideal for indoor practice facilities and field houses
- Heavy-duty aluminum construction is exceptionally strong while remaining lightweight for handling and installation
- NEW super durable powder coated finish
- Available with 30' or 35' uprights
- Stationary or custom retractable models available

Item Number	Product Description
GP030COLHG	Hanging College Football Goal Posts, 30' uprights
GP030COLHGR	Hanging College Football Goal Posts, 30' uprights, retractable
GP035PROHG	Hanging Professional Football Goal Posts, 35' uprights
GP035PROHGR	Hanging Professional Football Goal Posts, 35' uprights, retractable



Access Frame Kits

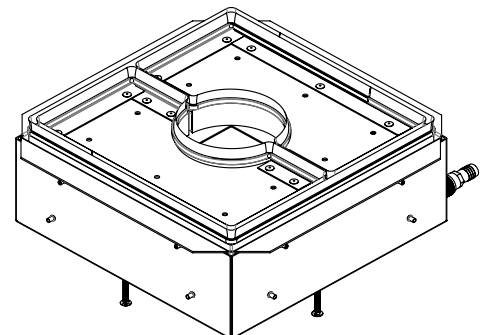
Product Overview

- Available for all Sportsfield football goal post models
- Required for rotating and / or hinged football goal posts
- Creates a subsurface void to permit access for goal post removal, rotating/hinged (if applicable), or general adjustments
- Designed for synthetic infill turf or natural grass applications
- Synthetic turf models include exclusive infill retainage gasket and perimeter turf attachment ledge
- Aluminum or heavy duty steel construction with integrated drainage stub
- Includes two half covers with goal post cutout (solid covers sold separately)
- Note: Synthetic turf models require turf to be applied by others; natural grass models include preinstalled synthetic turf with thatch layer

Standard Applications	30" Applications
Ground Sleeve	Rotating
Base Plate Mount	Rotating Gooseneck Hinged
Gooseneck Hinged	Manually Hinged

Item Number	Product Description
GPAFIT	Standard Access Frame Kit for synthetic infill turf
GPAFITHD	Heavy Duty Standard Access Frame Kit for synthetic infill turf
GPAFITC	Optional GPAFIT full size reinforced aluminum cover plug for synthetic infill turf
GPAFITCHD	Optional Heavy Duty GPAFIT full size reinforced steel cover plug for synthetic infill turf
GPAFNG	Standard Access Frame Kit for natural grass
GPAFNGHD	Heavy Duty Standard Access Frame Kit for natural grass
GPAFNGC	Optional GPAFNGC full size reinforced aluminum cover plug for natural grass
GPAFNGCHD	Optional Heavy Duty GPAFNGC full size reinforced steel cover plug for natural grass
GPAFITR30	30" Access Frame Kit for synthetic infill turf
GPAFITR30HD	Heavy Duty 30" Access Frame Kit for synthetic infill turf
GPAFITRC30	Optional GPAFITR30 full size reinforced aluminum cover plug for synthetic infill turf
GPAFITRC30HD	Optional Heavy Duty GPAFITR30 full size reinforced steel cover plug for synthetic infill turf
GPAFNGR30	30" Access Frame Kit for natural grass
GPAFNGR30HD	Heavy Duty 30" Access Frame Kit for natural grass
GPAFNGRC30	Optional GPAFNGRC30 full size reinforced aluminum cover plug for natural grass
GPAFNGRC30HD	Optional Heavy Duty GPAFNGRC30 full size reinforced steel cover plug for natural grass

**EXCELLENCE FROM
DESIGN TO INSTALLATION**





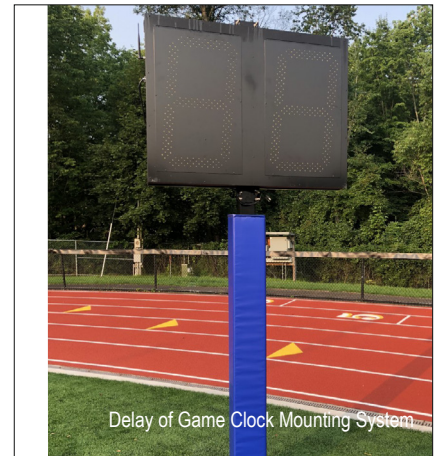
Football Goal Post Padding

Product Overview

- Available in round and hexagonal models
- 6' standard height
- Premium fully encased construction
- 5-1/2" high impact foam and outdoor vinyl
- Custom digital graphics available upon request
- Variety of standard vinyl colors available

Item Number	Product Description
GPPR	Round football goal post pad
GPPRDG	Round football goal post pad with digitally printed graphics
GPPRGH	Round Gooseneck Hinged football goal post pad
GPPRGHDG	Round Gooseneck Hinged football goal post pad with digital graphics
GPPH	Hexagonal football goal post pad
GPPHDG	Hexagonal football goal post pad with digitally printed graphics

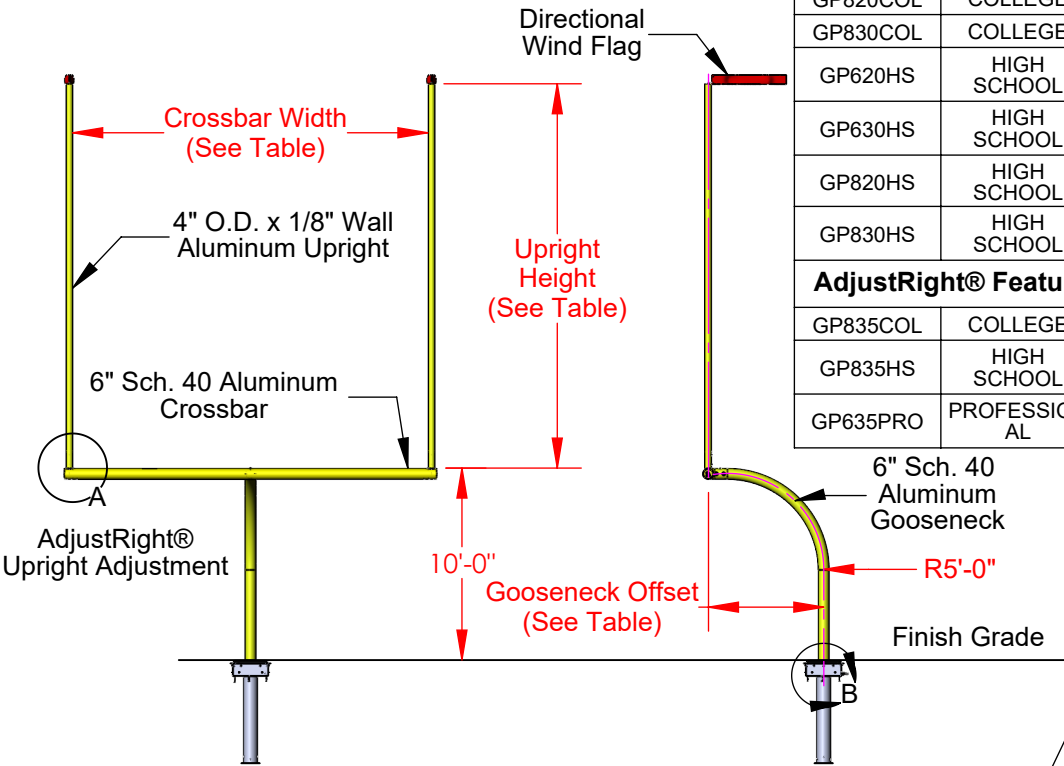
Football Field Accessories



Item Number	Product Description
FSYM11	Weighted sideline yardage markers - Set of 11
FSYM11DG	Weighted sideline yardage markers with digital graphics - Set of 11
FSYM22	Weighted sideline yardage markers - Set of 22
FSYM22DG	Weighted sideline yardage markers with digital graphics - Set of 22
FEZP4	Weighted football end zone pylons - Set of 4
FEZP4DG	Weighted football end zone pylons with digital graphics - Set of 4
GPDOGCMS	Football delay of game clock mounting system

United States Patent #7,014,578, Issued March 21, 2006
 United States Patent #7,883,432, Issued February 8, 2011
 United States Patent #7,914,401, Issued March 29, 2011

Powder Coated Yellow or White Finish



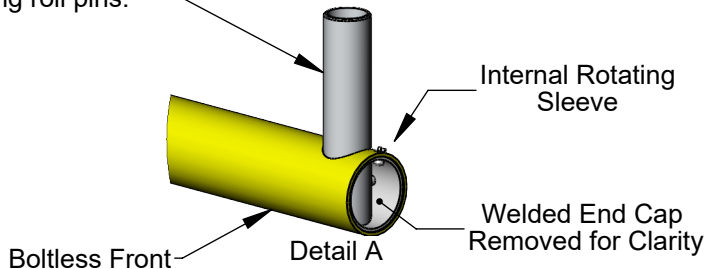
PART NO.	MODEL	GOOSENECK OFFSET	UPRIGHT HEIGHT	CROSSBAR WIDTH (I.D.)
GP620COL	COLLEGE	6'-0"	20'-0"	18'-6"
GP630COL	COLLEGE	6'-0"	30'-0"	18'-6"
GP820COL	COLLEGE	8'-0"	20'-0"	18'-6"
GP830COL	COLLEGE	8'-0"	30'-0"	18'-6"
GP620HS	HIGH SCHOOL	6'-0"	20'-0"	23'-4"
GP630HS	HIGH SCHOOL	6'-0"	30'-0"	23'-4"
GP820HS	HIGH SCHOOL	8'-0"	20'-0"	23'-4"
GP830HS	HIGH SCHOOL	8'-0"	30'-0"	23'-4"

AdjustRight® Feature Replaced with Fixed Upright

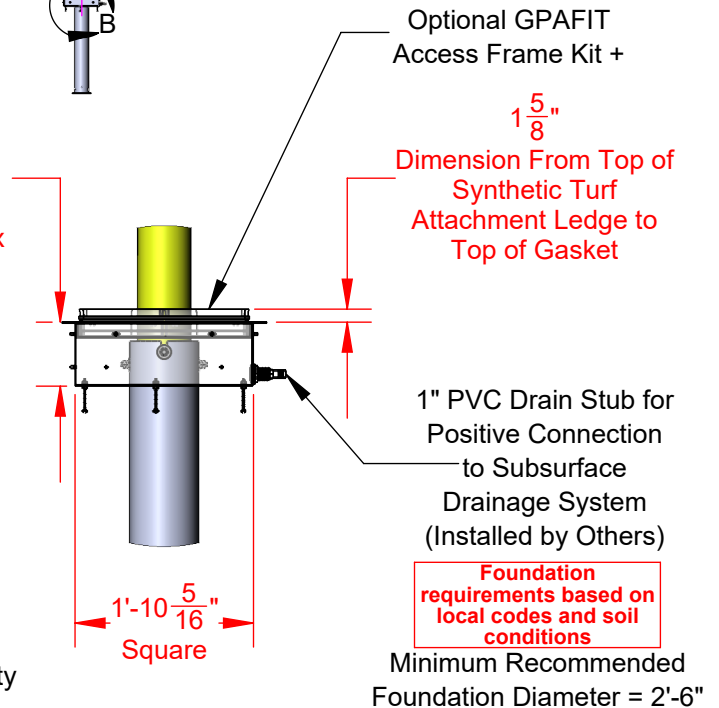
GP835COL	COLLEGE	8'-0"	35'-0"	18'-6"
GP835HS	HIGH SCHOOL	8'-0"	35'-0"	23'-4"
GP635PRO	PROFESSIONAL	6'-0"	35'-0"	18'-6"

AdjustRight®

Patented design feature that allows for a true vertical adjustment of the upright while still maintaining squareness and distance between crossbar/upright connection with the use of precision friction fit textured surfaces rather than locking roll pins.



8" Dimension From Top of Synthetic Turf Attachment Ledge to Bottom of Box



PROPRIETARY AND CONFIDENTIAL

THE INFORMATION CONTAINED IN THIS DRAWING IS THE SOLE PROPERTY OF SPORTSFIELD SPECIALTIES INC. ANY REPRODUCTION IN PART OR AS A WHOLE WITHOUT THE WRITTEN PERMISSION OF SPORTSFIELD SPECIALTIES INC. IS PROHIBITED.

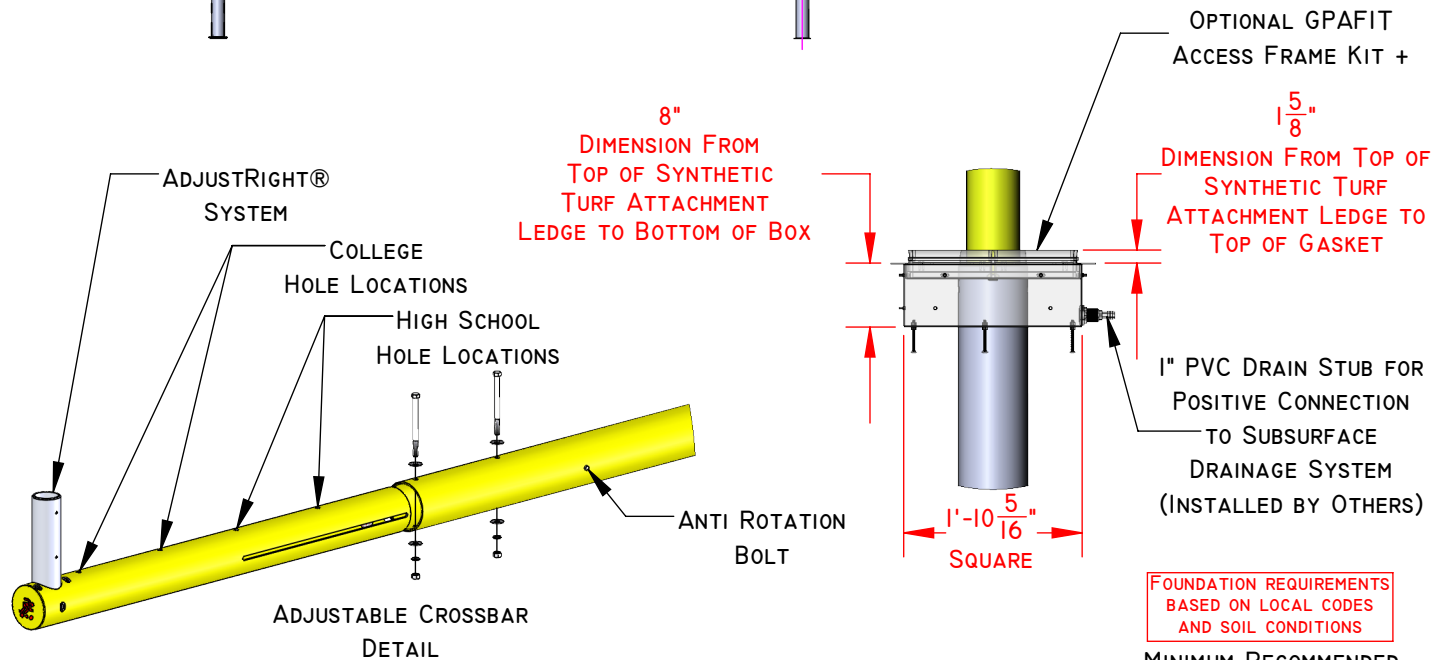
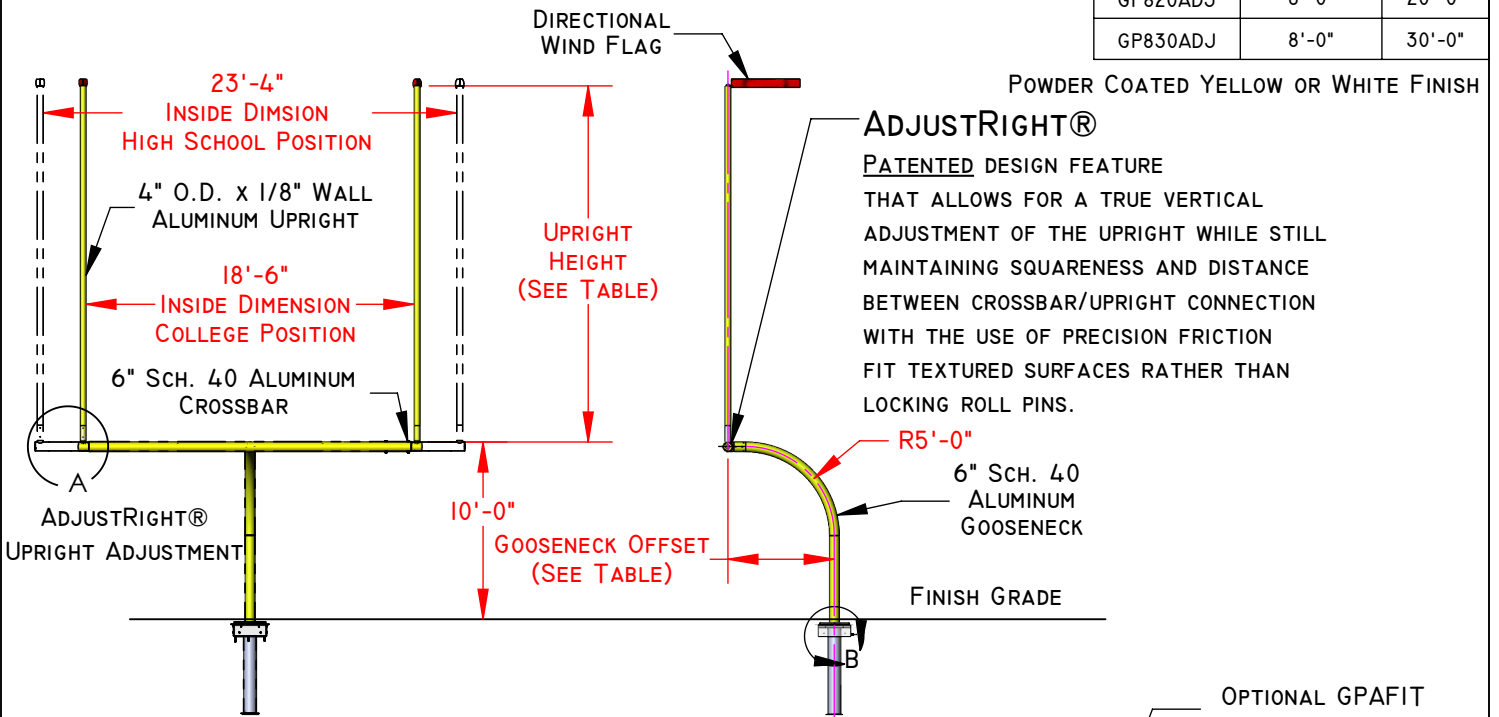
Ground Sleeve Football Goal Post

Not To Scale

Sportsfield Specialties Inc 105582.1-230206

UNITED STATES PATENT #7,014,578, ISSUED MARCH 21, 2006
 UNITED STATES PATENT #7,883,432, ISSUED FEBRUARY 8, 2011
 UNITED STATES PATENT #7,914,401, ISSUED MARCH 29, 2011

PART NO.	GOOSENECK OFFSET	UPRIGHT HEIGHT
GP620ADJ	6'-0"	20'-0"
GP630ADJ	6'-0"	30'-0"
GP820ADJ	8'-0"	20'-0"
GP830ADJ	8'-0"	30'-0"



MINIMUM RECOMMENDED
 FOUNDATION DIAMETER = 2'-6"

PROPRIETARY AND CONFIDENTIAL
 THE INFORMATION CONTAINED IN THIS DRAWING IS THE SOLE PROPERTY OF SPORTSFIELD SPECIALTIES INC. ANY REPRODUCTION IN PART OR AS A WHOLE WITHOUT THE WRITTEN PERMISSION OF SPORTSFIELD SPECIALTIES INC. IS PROHIBITED.

ADJUSTABLE GROUND SLEEVE FOOTBALL GOAL POST

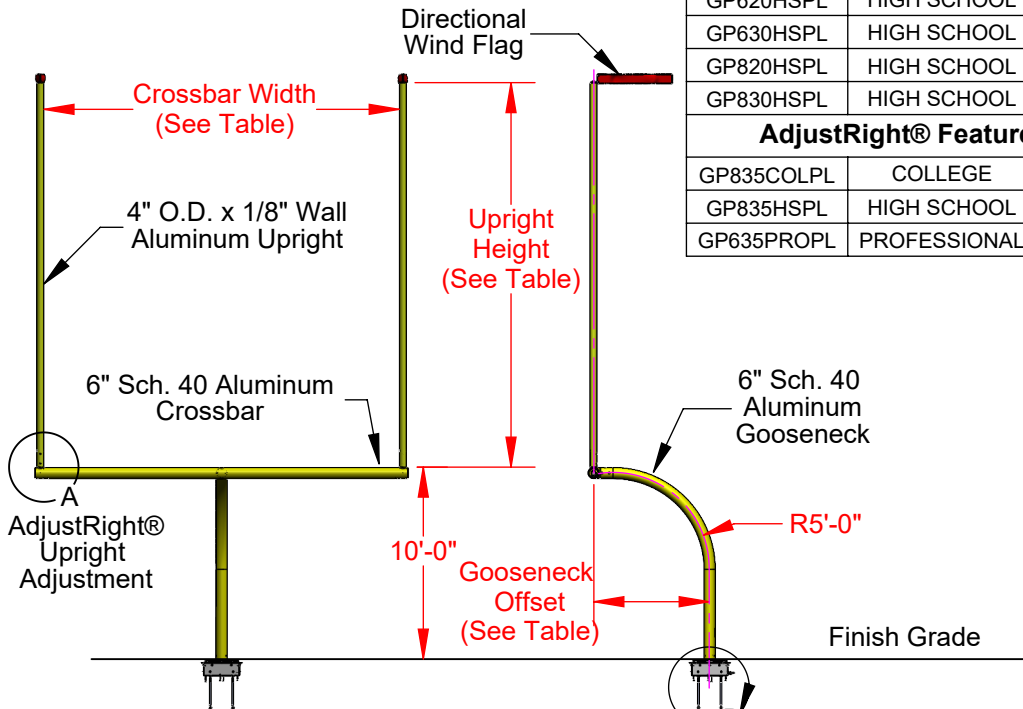
NOT TO SCALE

SPORTSFIELD SPECIALTIES INC 08212019

United States Patent #7,014,578, Issued March 21, 2006
 United States Patent #7,883,432, Issued February 8, 2011
 United States Patent #7,914,401, Issued March 29, 2011

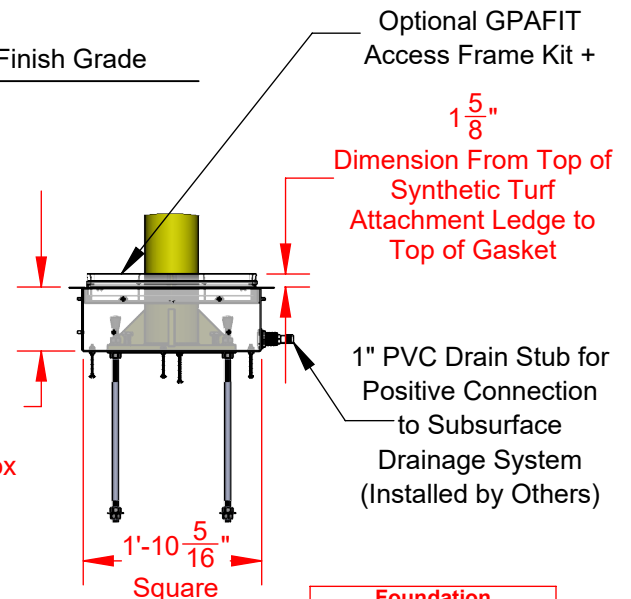
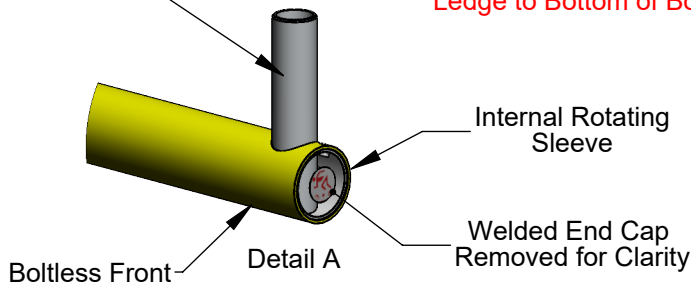
Powder Coated Yellow or White Finish

PART NO.	MODEL	GOOSENECK OFFSET	UPRIGHT HEIGHT	CROSSBAR WIDTH (I.D.)
GP620COLPL	COLLEGE	6'-0"	20'-0"	18'-6"
GP630COLPL	COLLEGE	6'-0"	30'-0"	18'-6"
GP820COLPL	COLLEGE	8'-0"	20'-0"	18'-6"
GP830COLPL	COLLEGE	8'-0"	30'-0"	18'-6"
GP620HSPL	HIGH SCHOOL	6'-0"	20'-0"	23'-4"
GP630HSPL	HIGH SCHOOL	6'-0"	30'-0"	23'-4"
GP820HSPL	HIGH SCHOOL	8'-0"	20'-0"	23'-4"
GP830HSPL	HIGH SCHOOL	8'-0"	30'-0"	23'-4"
AdjustRight® Feature Replaced with Fixed Upright				
GP835COLPL	COLLEGE	8'-0"	35'-0"	18'-6"
GP835HSPL	HIGH SCHOOL	8'-0"	35'-0"	23'-4"
GP635PROPL	PROFESSIONAL	6'-0"	35'-0"	18'-6"



AdjustRight®

Patented design feature that allows for a true vertical adjustment of the upright while still maintaining squareness and distance between crossbar/upright connection with the use of precision friction fit textured surfaces rather than locking roll pins.



Foundation requirements based on local codes and soil conditions
 Minimum Recommended Foundation Diameter = 3'-0"

PROPRIETARY AND CONFIDENTIAL

THE INFORMATION CONTAINED IN THIS DRAWING IS THE SOLE PROPERTY OF SPORTSFIELD SPECIALTIES INC. ANY REPRODUCTION IN PART OR AS A WHOLE WITHOUT THE WRITTEN PERMISSION OF SPORTSFIELD SPECIALTIES INC. IS PROHIBITED.

Base Plate Mount Football Goal Post

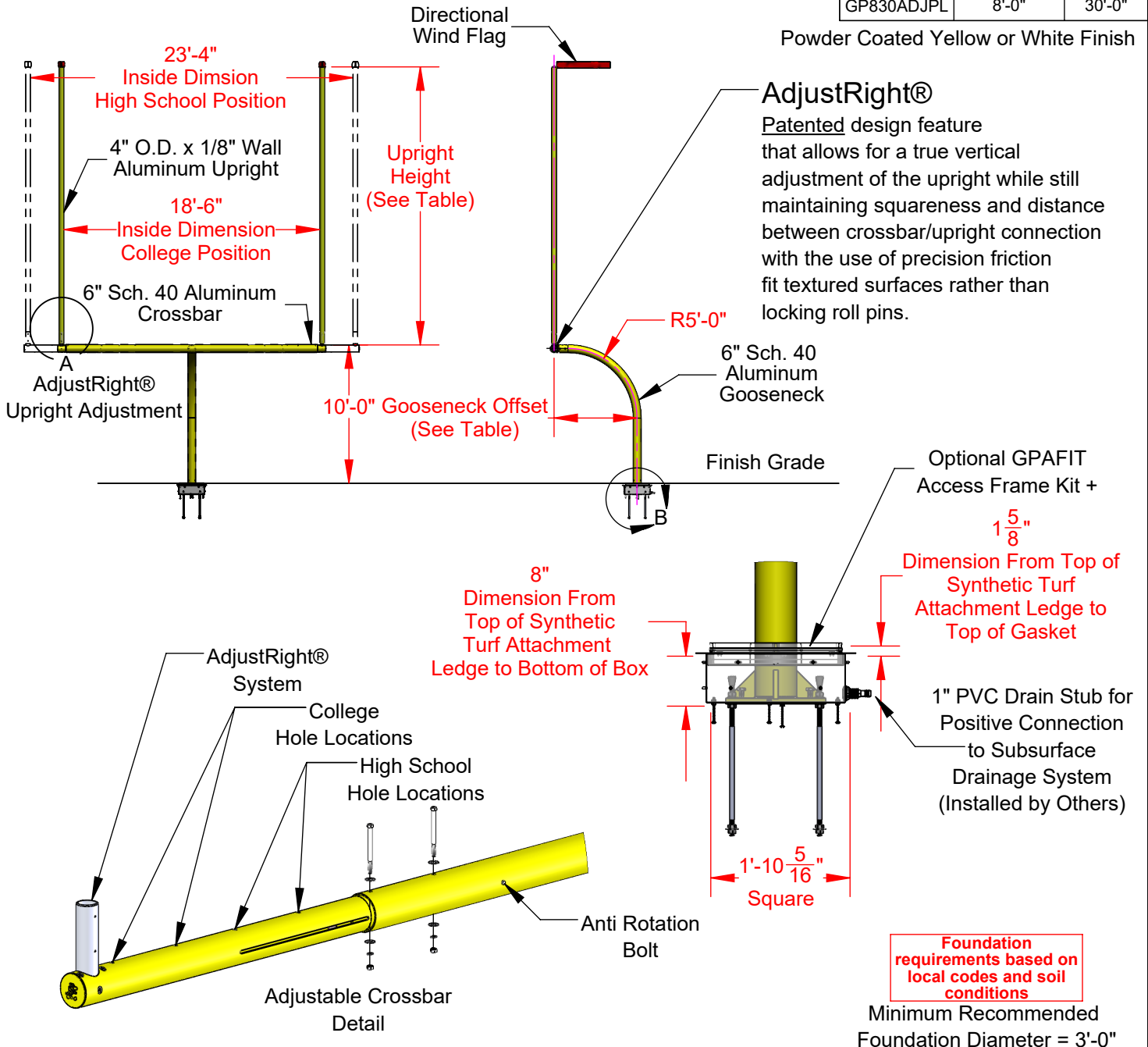
Not To Scale

Sportsfield Specialties Inc 105585.1-221212

United States Patent #7,014,578, Issued March 21, 2006
 United States Patent #7,883,432, Issued February 8, 2011
 United States Patent #7,914,401, Issued March 29, 2011

PART NO.	GOOSENECK OFFSET	UPRIGHT HEIGHT
GP620ADJPL	6'-0"	20'-0"
GP630ADJPL	6'-0"	30'-0"
GP820ADJPL	8'-0"	20'-0"
GP830ADJPL	8'-0"	30'-0"

Powder Coated Yellow or White Finish



PROPRIETARY AND CONFIDENTIAL

THE INFORMATION CONTAINED IN THIS DRAWING IS THE SOLE PROPERTY OF SPORTSFIELD SPECIALTIES INC. ANY REPRODUCTION IN PART OR AS A WHOLE WITHOUT THE WRITTEN PERMISSION OF SPORTSFIELD SPECIALTIES INC. IS PROHIBITED.

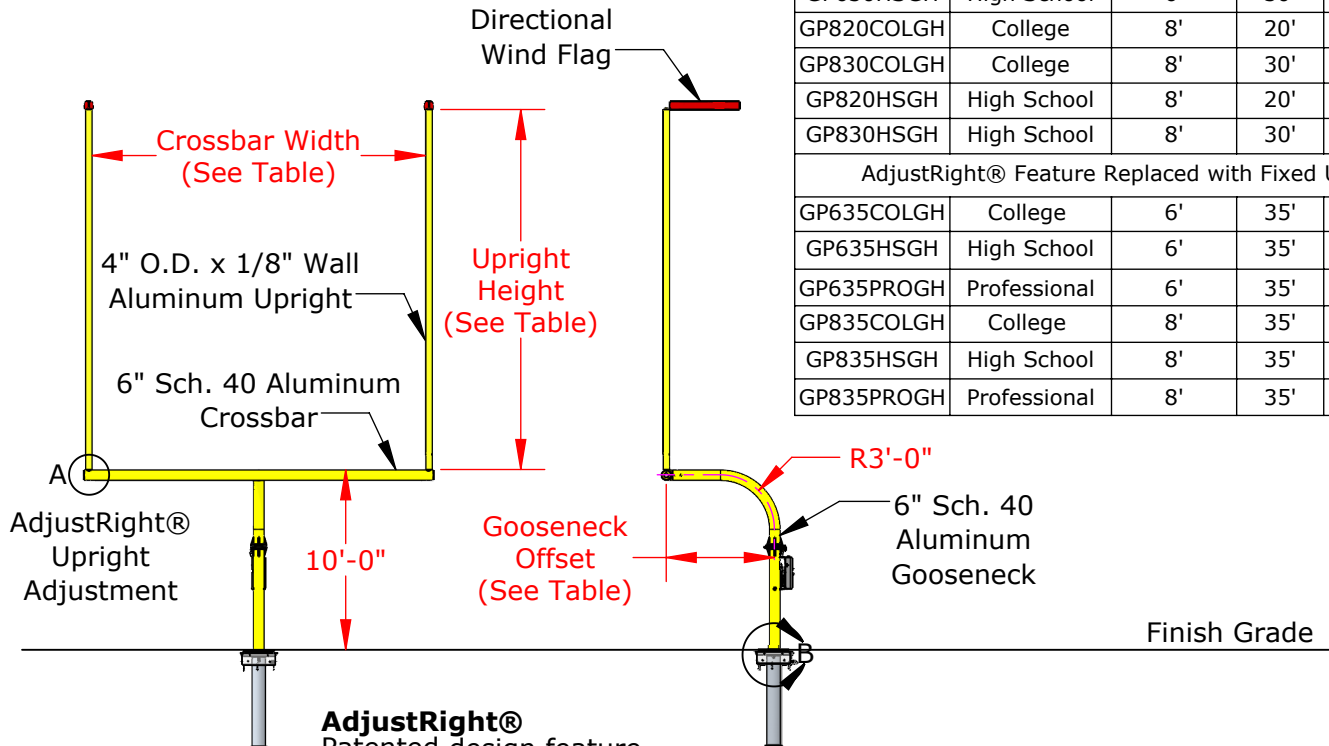
Adjustable High School/College Base Plate Mount Football Goal Post

Not To Scale

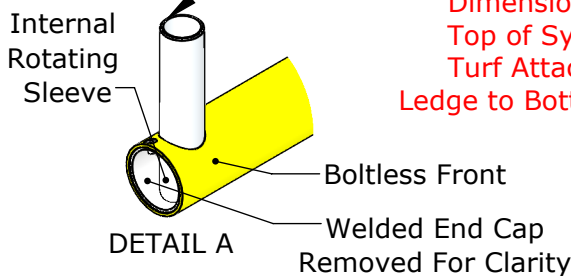
Sportsfield Specialties Inc 105587.1-221212

United States Patent #7,014,578, Issued March 21, 2006
 United States Patent #7,883,432, Issued February 8, 2011
 United States Patent #7,914,401, Issued March 29, 2011
 United States Patent #8,496,547, Issued July 30, 2013

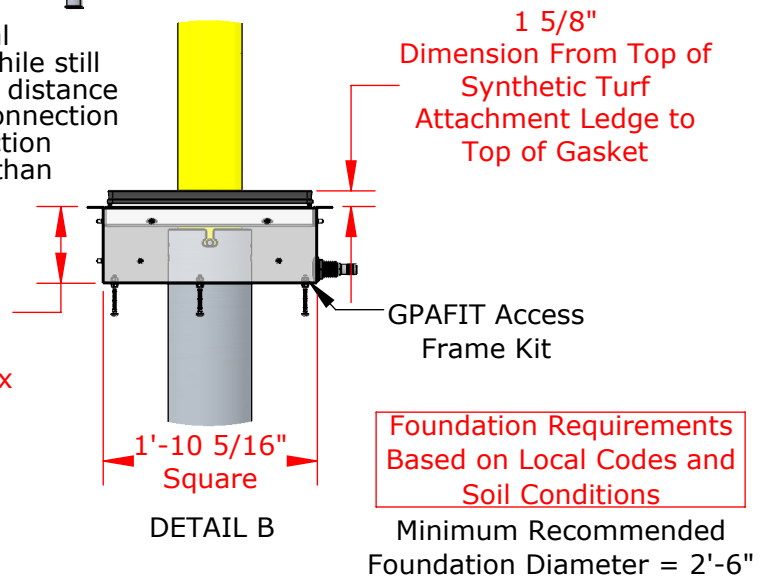
Part No.	Model	Gooseneck Offset	Upright Height	Crossbar Width (I.D.)
GP620COLGH	College	6'	20'	18'-6"
GP630COLGH	College	6'	30'	18'-6"
GP620HSGH	High School	6'	20'	23'-4"
GP630HSGH	High School	6'	30'	23'-4"
GP820COLGH	College	8'	20'	18'-6"
GP830COLGH	College	8'	30'	18'-6"
GP820HSGH	High School	8'	20'	23'-4"
GP830HSGH	High School	8'	30'	23'-4"
AdjustRight® Feature Replaced with Fixed Upright				
GP635COLGH	College	6'	35'	18'-6"
GP635HSGH	High School	6'	35'	23'-4"
GP635PROGH	Professional	6'	35'	18'-6"
GP835COLGH	College	8'	35'	18'-6"
GP835HSGH	High School	8'	35'	23'-4"
GP835PROGH	Professional	8'	35'	18'-6"



AdjustRight® Patented design feature that allows for a true vertical adjustment of the upright while still maintaining squareness and distance between crossbar/upright connection with the use of precision friction fit textured surfaces rather than locking roll pins.



8" Dimension From Top of Synthetic Turf Attachment Ledge to Bottom of Box



PROPRIETARY AND CONFIDENTIAL

THE INFORMATION CONTAINED IN THIS DRAWING IS THE SOLE PROPERTY OF SPORTSFIELD SPECIALTIES INC. ANY REPRODUCTION IN PART OR AS A WHOLE WITHOUT THE WRITTEN PERMISSION OF SPORTSFIELD SPECIALTIES INC. IS PROHIBITED.

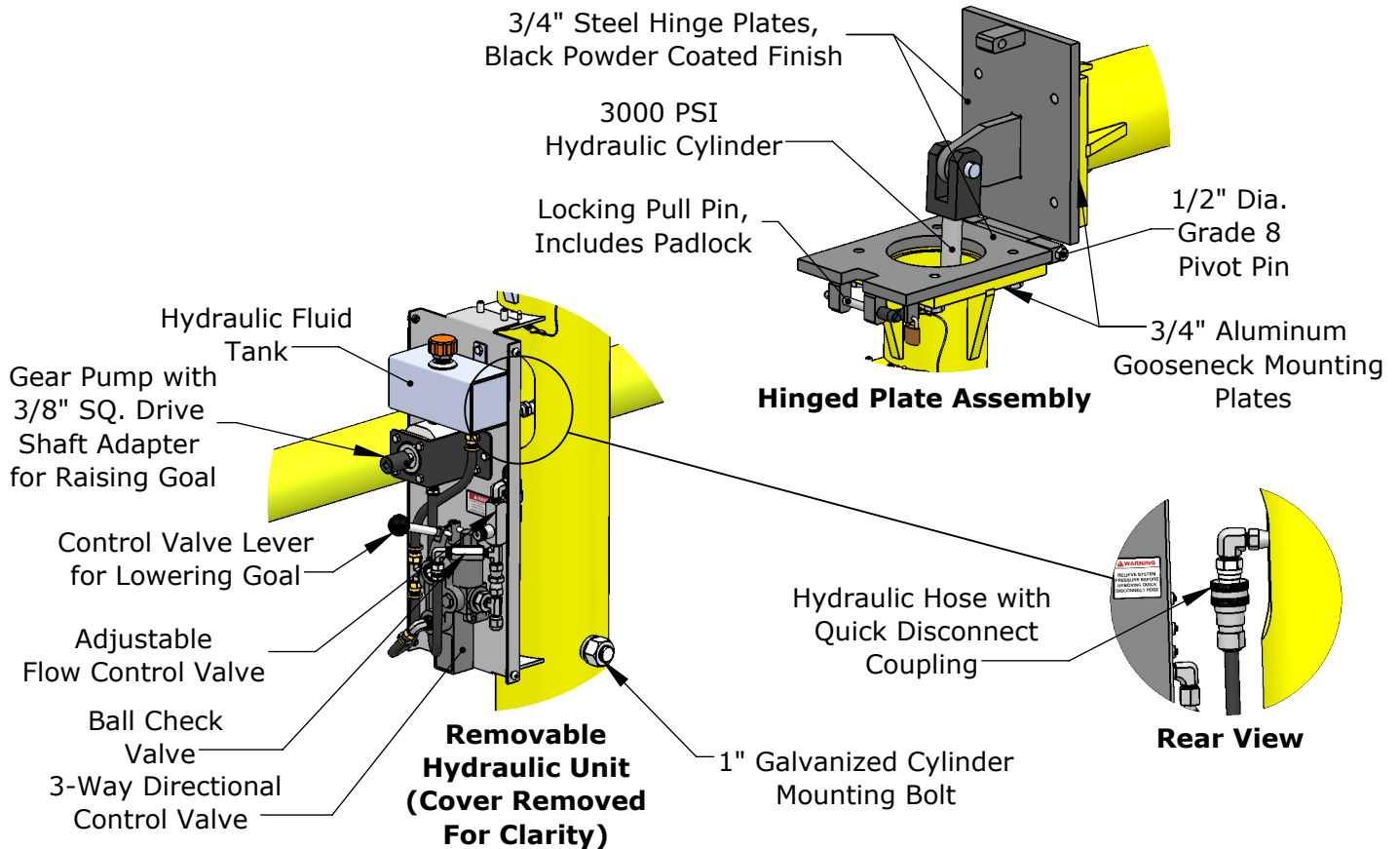
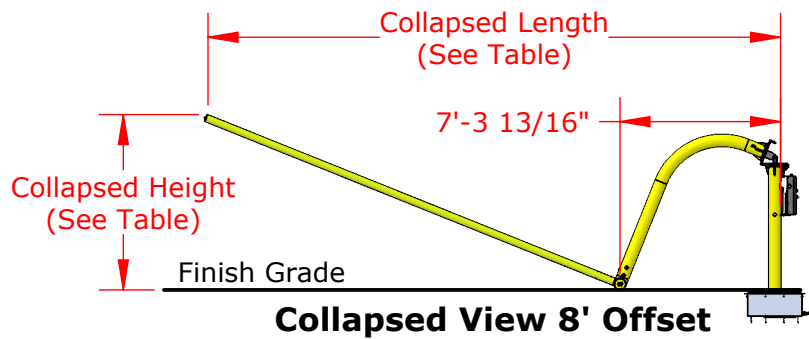
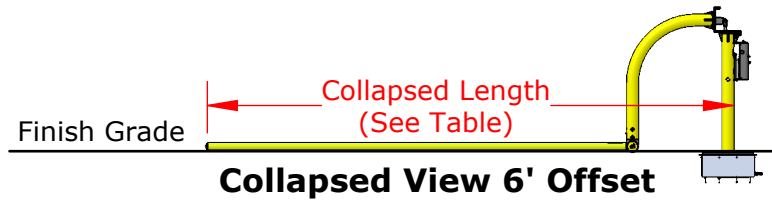
Gooseneck Hinged Ground Sleeve Football Goal Post

Not To Scale

Sportsfield Specialties Inc 06022022

Applicable Goal Post Styles
Ground Sleeve Gooseneck Hinged
Plate Mount Gooseneck Hinged
Rotating Gooseneck Hinged

Key Dimensions			
Gooseneck Offset	Upright Height	Collapsed Length	Collapsed Height
6'	20'	25'-7/8"	N/A
6'	30'	35'-7/8"	N/A
6'	35'	40'-7/8"	N/A
8'	20'	26'-2"	7'-10"
8'	30'	35'-6"	11'-6 5/8"
8'	35'	40'-1"	13'-5"



PROPRIETARY AND CONFIDENTIAL

THE INFORMATION CONTAINED IN THIS DRAWING IS THE SOLE PROPERTY OF SPORTSFIELD SPECIALTIES INC. ANY REPRODUCTION IN PART OR AS A WHOLE WITHOUT THE WRITTEN PERMISSION OF SPORTSFIELD SPECIALTIES INC. IS PROHIBITED.

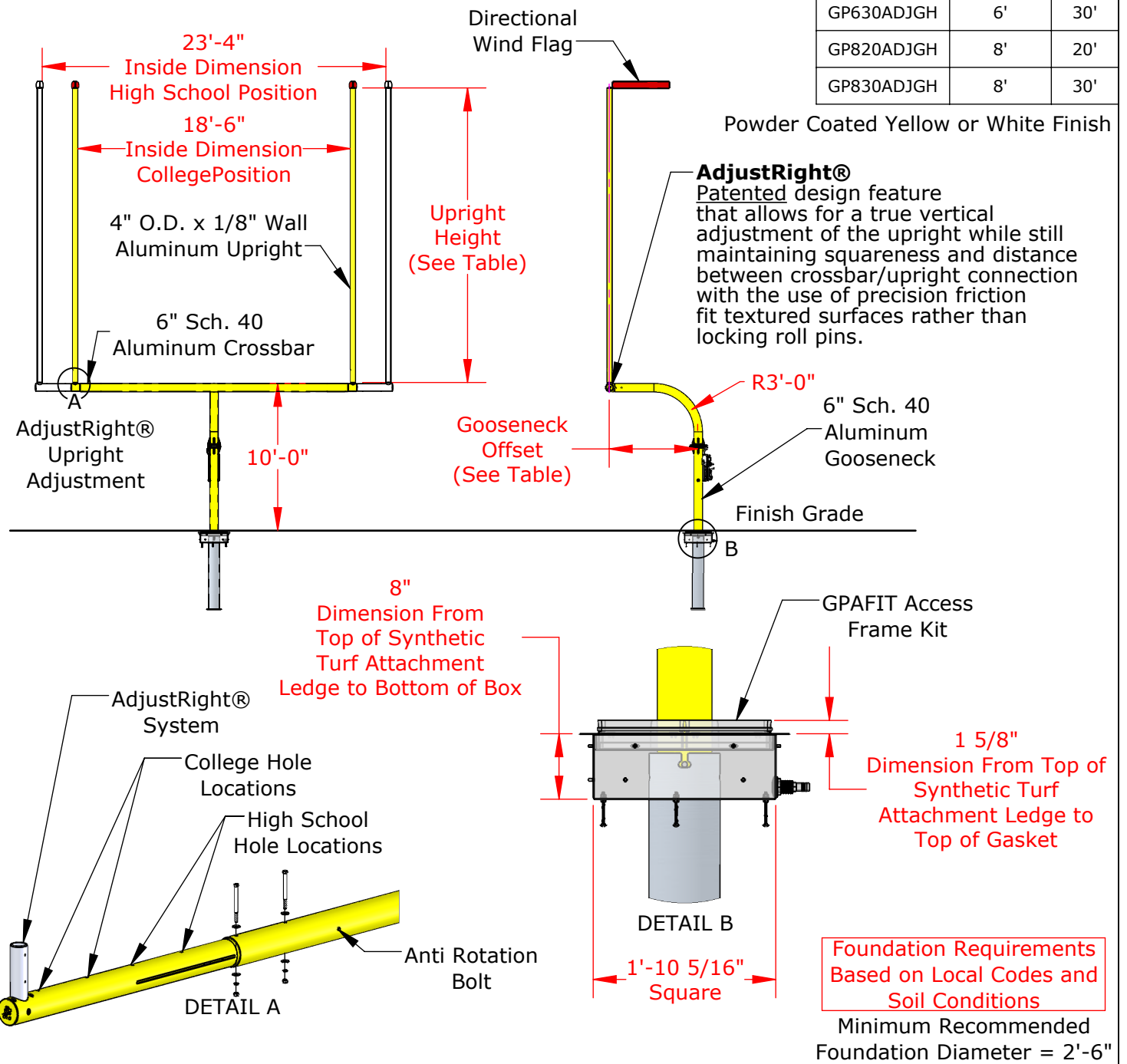
Football Goal Post Gooseneck Hinged Detail

Not To Scale

Sportsfield Specialties Inc 06012022

United States Patent #7,014,578, Issued March 21, 2006
 United States Patent #7,883,432, Issued February 8, 2011
 United States Patent #7,914,401, Issued March 29, 2011
 United States Patent #8,496,547, Issued July 30, 2013

Part No.	Gooseneck Offset	Upright Height
GP620ADJGH	6'	20'
GP630ADJGH	6'	30'
GP820ADJGH	8'	20'
GP830ADJGH	8'	30'



PROPRIETARY AND CONFIDENTIAL

THE INFORMATION CONTAINED IN THIS DRAWING IS THE SOLE PROPERTY OF SPORTSFIELD SPECIALTIES INC. ANY REPRODUCTION IN PART OR AS A WHOLE WITHOUT THE WRITTEN PERMISSION OF SPORTSFIELD SPECIALTIES INC. IS PROHIBITED.

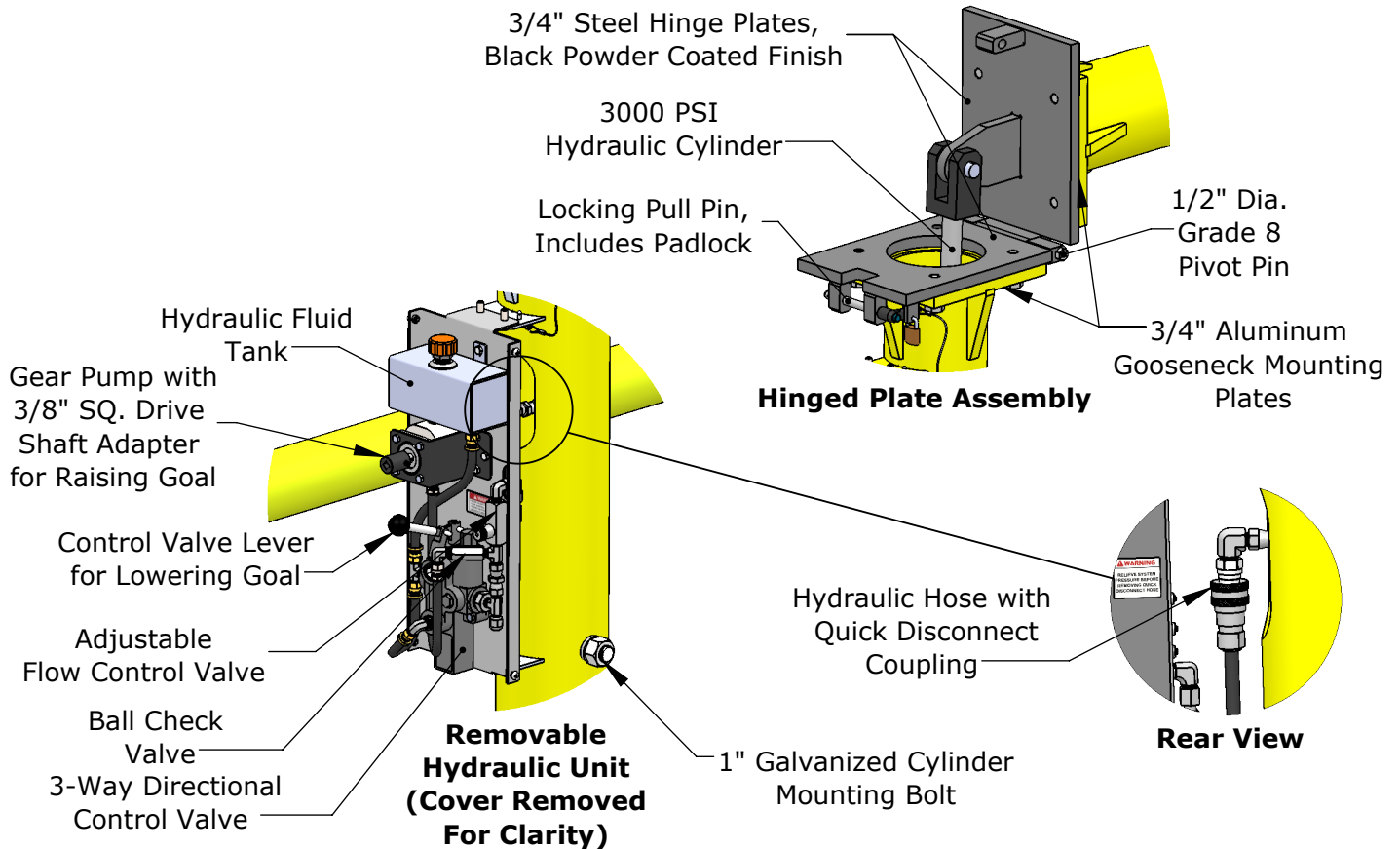
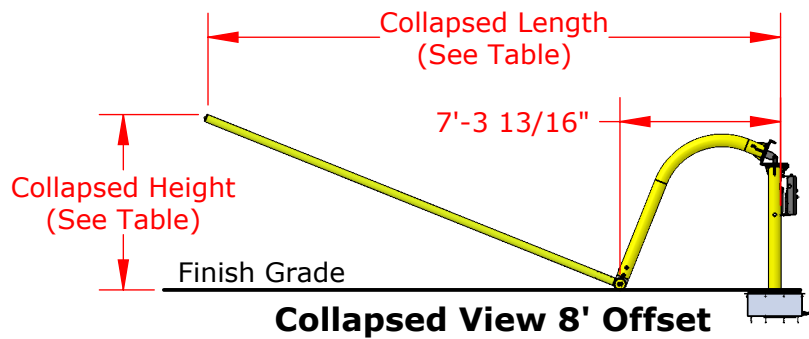
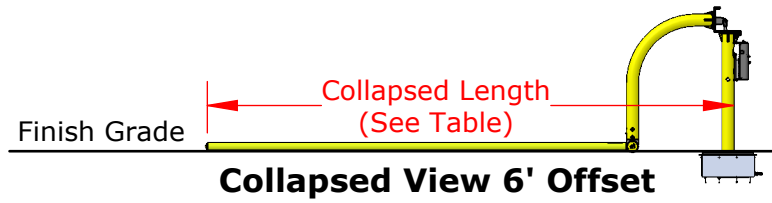
Adjustable Gooseneck Hinged Ground Sleeve Football Goal Post

Not To Scale

Sportsfield Specialties Inc 06022022

Applicable Goal Post Styles
Ground Sleeve Gooseneck Hinged
Plate Mount Gooseneck Hinged
Rotating Gooseneck Hinged

Key Dimensions			
Gooseneck Offset	Upright Height	Collapsed Length	Collapsed Height
6'	20'	25'-7/8"	N/A
6'	30'	35'-7/8"	N/A
6'	35'	40'-7/8"	N/A
8'	20'	26'-2"	7'-10"
8'	30'	35'-6"	11'-6 5/8"
8'	35'	40'-1"	13'-5"



PROPRIETARY AND CONFIDENTIAL

THE INFORMATION CONTAINED IN THIS DRAWING IS THE SOLE PROPERTY OF SPORTSFIELD SPECIALTIES INC. ANY REPRODUCTION IN PART OR AS A WHOLE WITHOUT THE WRITTEN PERMISSION OF SPORTSFIELD SPECIALTIES INC. IS PROHIBITED.

Not To Scale

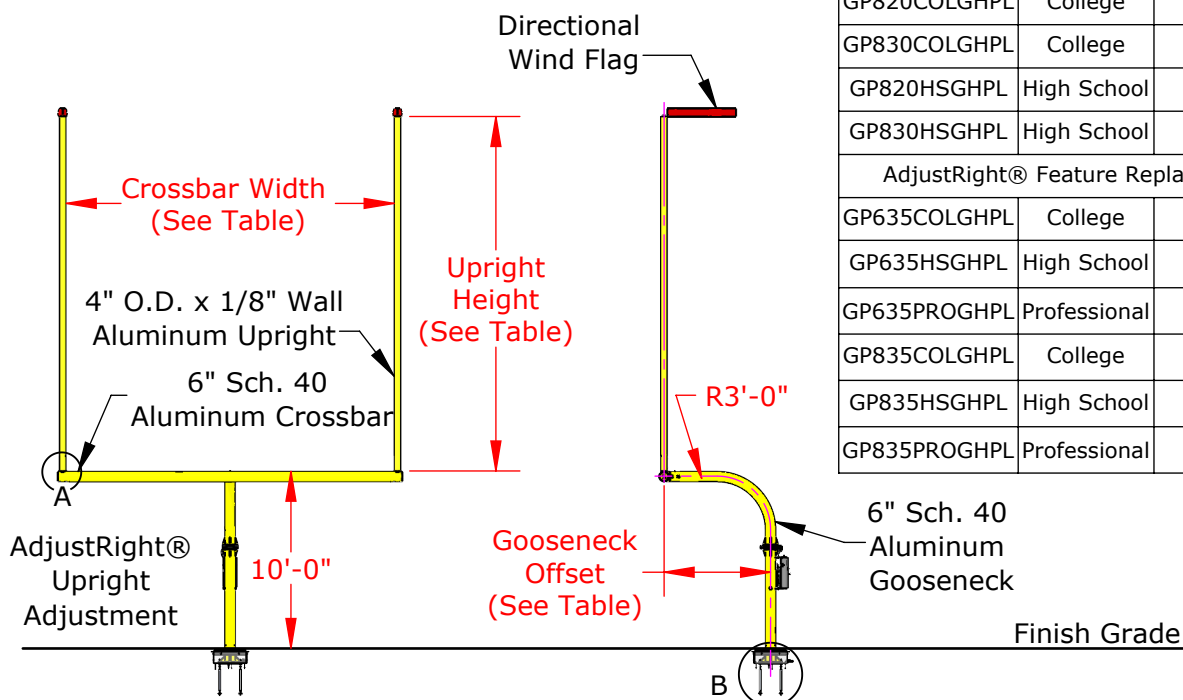
Football Goal Post Gooseneck Hinged Detail

Sportsfield Specialties Inc 06012022

United States Patent #7,014,578, Issued March 21, 2006
 United States Patent #7,883,432, Issued February 8, 2011
 United States Patent #7,914,401, Issued March 29, 2011
 United States Patent #8,496,547, Issued July 30, 2013

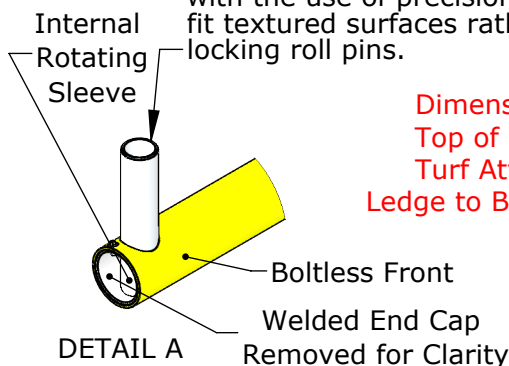
Powder Coated Yellow or White Finish

Part No.	Model	Gooseneck Offset	Upright Height	Crossbar Width (I.D.)
GP620COLGHPL	College	6'	20'	18'-6"
GP630COLGHPL	College	6'	30'	18'-6"
GP620HSGHPL	High School	6'	20'	23'-4"
GP630HSGHPL	High School	6'	30'	23'-4"
GP820COLGHPL	College	8'	20'	18'-6"
GP830COLGHPL	College	8'	30'	18'-6"
GP820HSGHPL	High School	8'	20'	23'-4"
GP830HSGHPL	High School	8'	30'	23'-4"
AdjustRight® Feature Replaced with Fixed Upright				
GP635COLGHPL	College	6'	35'	18'-6"
GP635HSGHPL	High School	6'	35'	23'-4"
GP635PROGHPL	Professional	6'	35'	18'-6"
GP835COLGHPL	College	8'	35'	18'-6"
GP835HSGHPL	High School	8'	35'	23'-4"
GP835PROGHPL	Professional	8'	35'	18'-6"

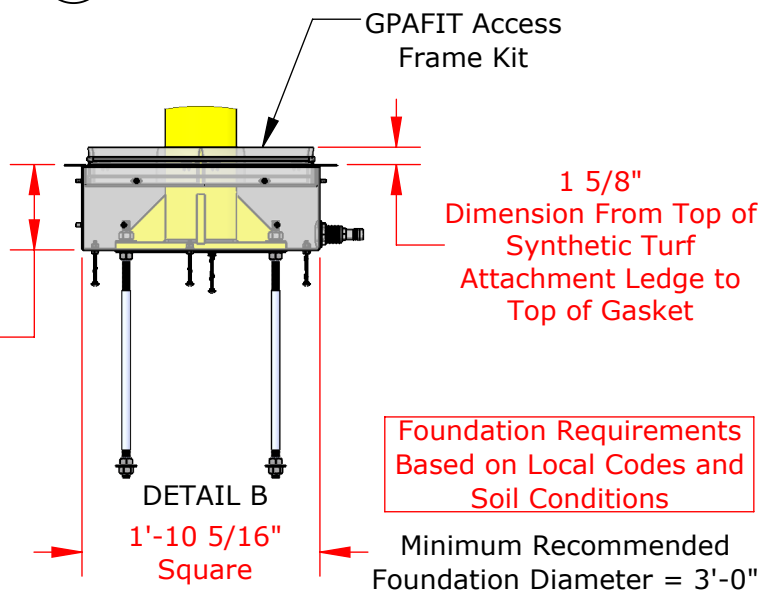


AdjustRight®

Patented design feature that allows for a true vertical adjustment of the upright while still maintaining squareness and distance between crossbar/upright connection with the use of precision friction fit textured surfaces rather than locking roll pins.



8" Dimension From Top of Synthetic Turf Attachment Ledge to Bottom of Box



PROPRIETARY AND CONFIDENTIAL

THE INFORMATION CONTAINED IN THIS DRAWING IS THE SOLE PROPERTY OF SPORTSFIELD SPECIALTIES INC. ANY REPRODUCTION IN PART OR AS A WHOLE WITHOUT THE WRITTEN PERMISSION OF SPORTSFIELD SPECIALTIES INC. IS PROHIBITED.

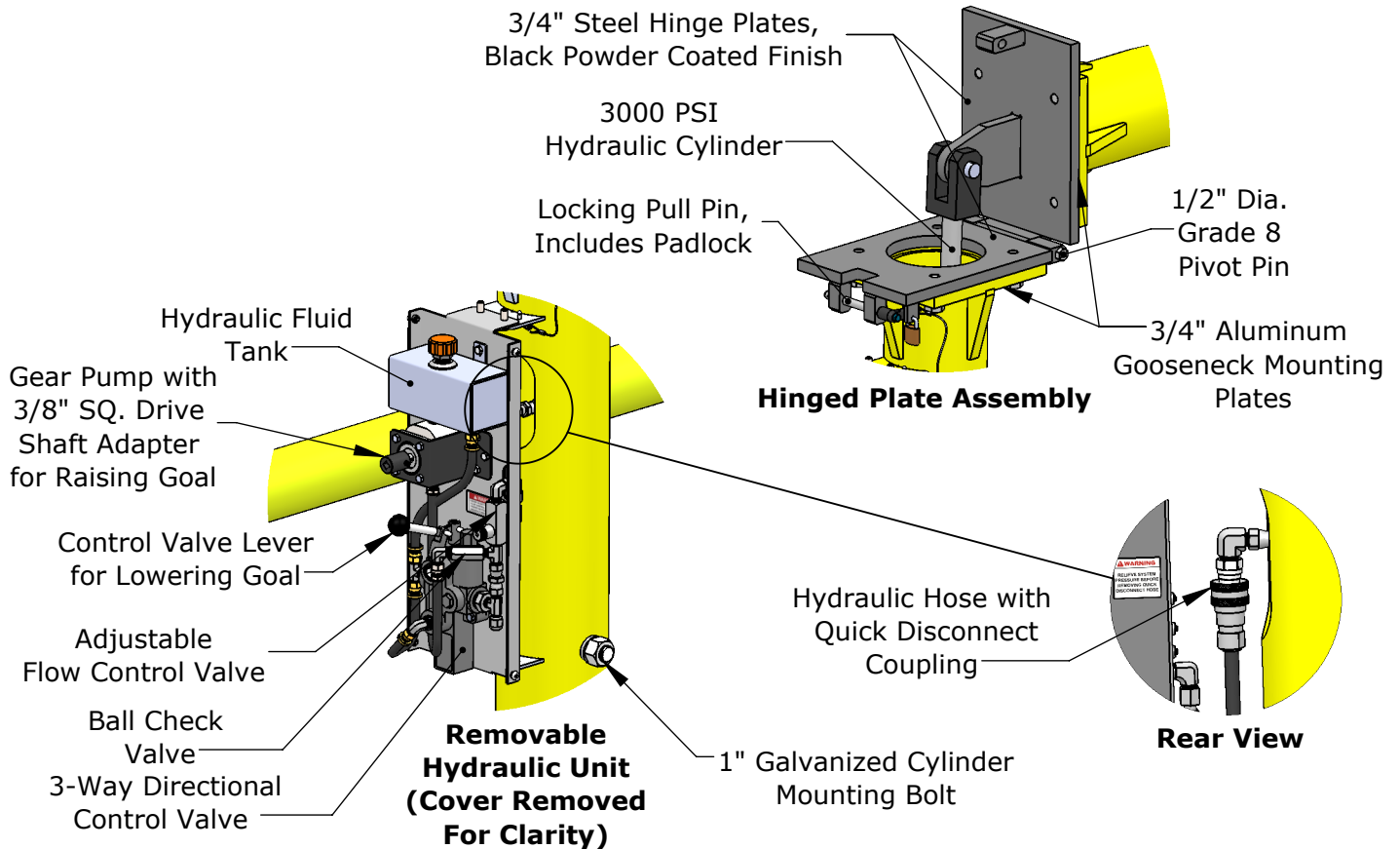
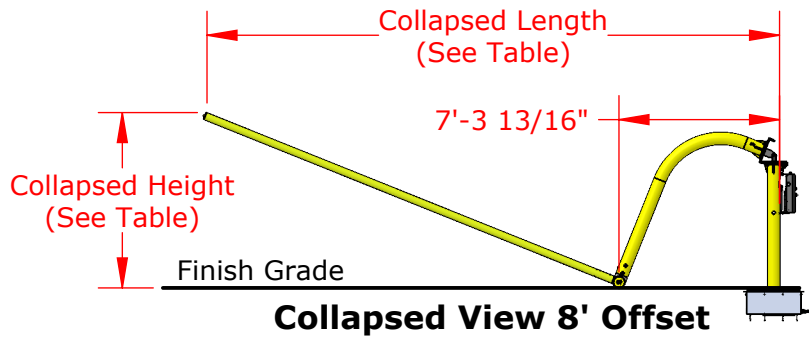
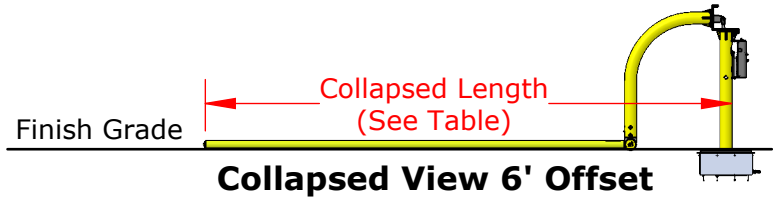
**Gooseneck Hinged Plate Mount
Football Goal Post**

Not To Scale

Sportsfield Specialties Inc 06022022

Applicable Goal Post Styles
Ground Sleeve Gooseneck Hinged
Plate Mount Gooseneck Hinged
Rotating Gooseneck Hinged

Key Dimensions			
Gooseneck Offset	Upright Height	Collapsed Length	Collapsed Height
6'	20'	25'-7/8"	N/A
6'	30'	35'-7/8"	N/A
6'	35'	40'-7/8"	N/A
8'	20'	26'-2"	7'-10"
8'	30'	35'-6"	11'-6 5/8"
8'	35'	40'-1"	13'-5"



PROPRIETARY AND CONFIDENTIAL

THE INFORMATION CONTAINED IN THIS DRAWING IS THE SOLE PROPERTY OF SPORTSFIELD SPECIALTIES INC. ANY REPRODUCTION IN PART OR AS A WHOLE WITHOUT THE WRITTEN PERMISSION OF SPORTSFIELD SPECIALTIES INC. IS PROHIBITED.

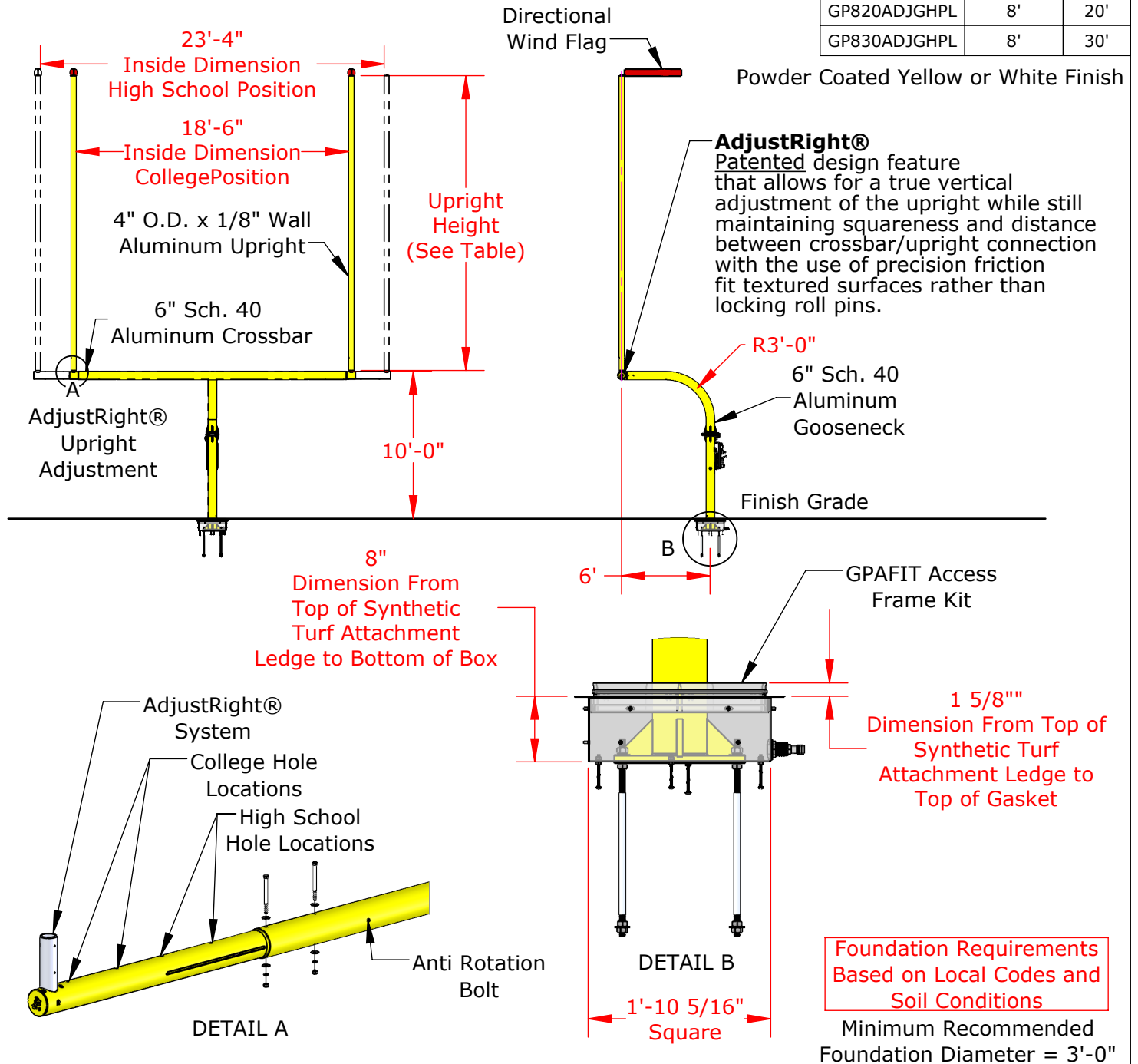
Not To Scale

Football Goal Post Gooseneck Hinged Detail

Sportsfield Specialties Inc 06012022

United States Patent #7,014,578, Issued March 21, 2006
 United States Patent #7,883,432, Issued February 8, 2011
 United States Patent #7,914,401, Issued March 29, 2011
 United States Patent #8,496,547, Issued July 30, 2013

Part No.	Gooseneck Offset	Upright Height
GP620ADJGHPL	6'	20'
GP630ADJGHPL	6'	30'
GP820ADJGHPL	8'	20'
GP830ADJGHPL	8'	30'



PROPRIETARY AND CONFIDENTIAL

THE INFORMATION CONTAINED IN THIS DRAWING IS THE SOLE PROPERTY OF SPORTSFIELD SPECIALTIES INC. ANY REPRODUCTION IN PART OR AS A WHOLE WITHOUT THE WRITTEN PERMISSION OF SPORTSFIELD SPECIALTIES INC. IS PROHIBITED.

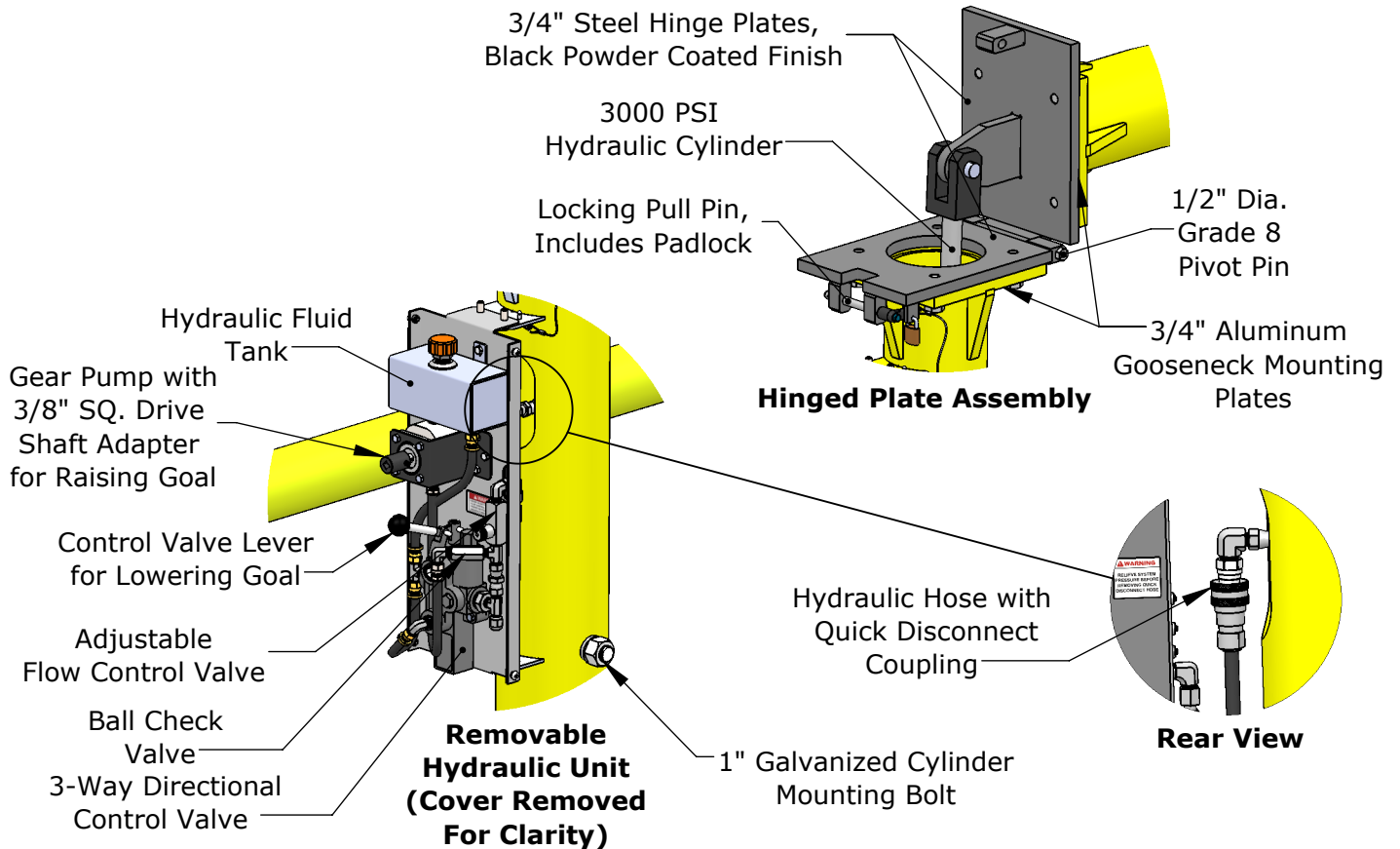
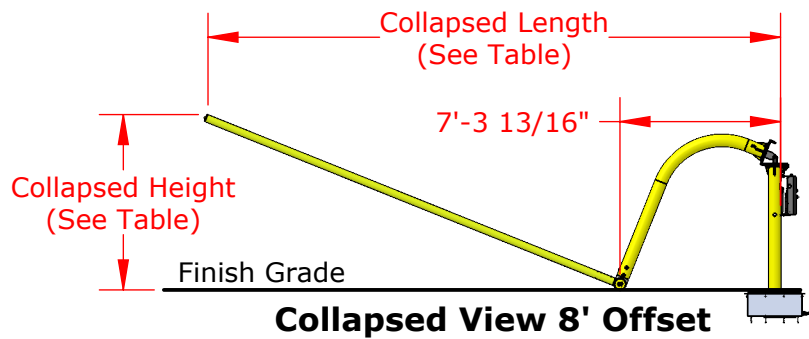
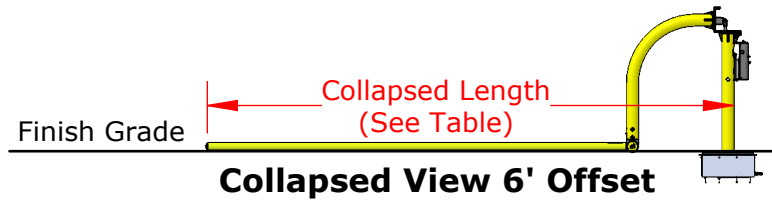
Adjustable Gooseneck Hinged Plate Mount Football Goal Post

Not To Scale

Sportsfield Specialties Inc 06022022

Applicable Goal Post Styles
Ground Sleeve Gooseneck Hinged
Plate Mount Gooseneck Hinged
Rotating Gooseneck Hinged

Key Dimensions			
Gooseneck Offset	Upright Height	Collapsed Length	Collapsed Height
6'	20'	25'-7/8"	N/A
6'	30'	35'-7/8"	N/A
6'	35'	40'-7/8"	N/A
8'	20'	26'-2"	7'-10"
8'	30'	35'-6"	11'-6 5/8"
8'	35'	40'-1"	13'-5"



PROPRIETARY AND CONFIDENTIAL

THE INFORMATION CONTAINED IN THIS DRAWING IS THE SOLE PROPERTY OF SPORTSFIELD SPECIALTIES INC. ANY REPRODUCTION IN PART OR AS A WHOLE WITHOUT THE WRITTEN PERMISSION OF SPORTSFIELD SPECIALTIES INC. IS PROHIBITED.

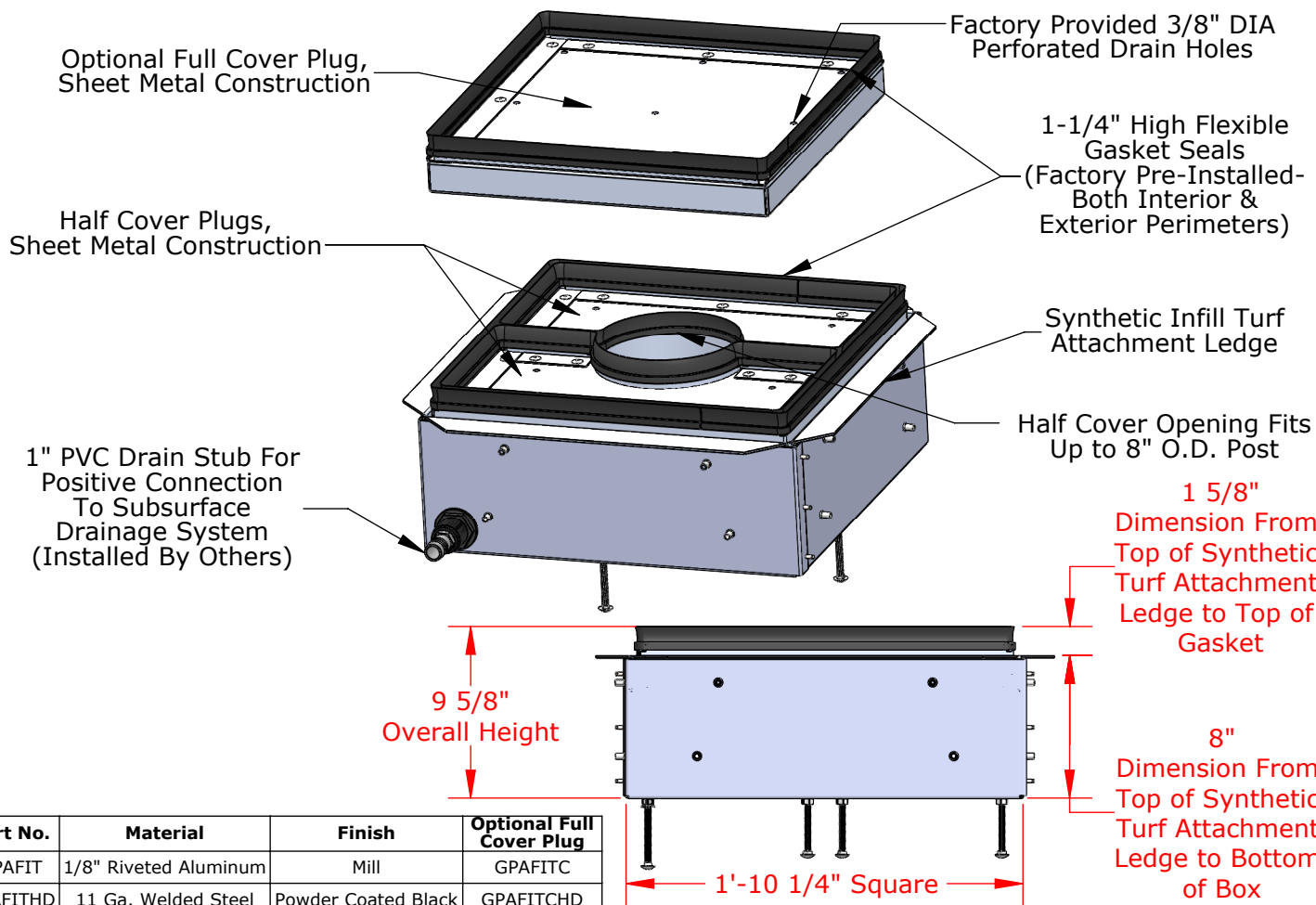
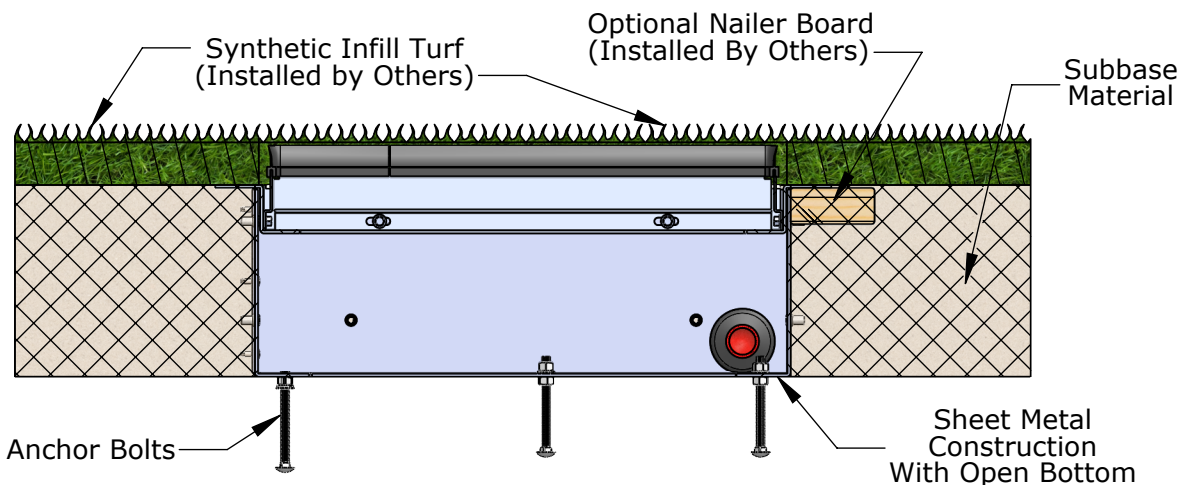
Not To Scale

Football Goal Post Gooseneck Hinged Detail

Sportsfield Specialties Inc 06012022

Standard Applications

Ground Sleeve
Plate Mount
Gooseneck Hinged



Part No.	Material	Finish	Optional Full Cover Plug
GPAFIT	1/8" Riveted Aluminum	Mill	GPAFITC
GPAFITHD	11 Ga. Welded Steel	Powder Coated Black	GPAFITCHD

PROPRIETARY AND CONFIDENTIAL

THE INFORMATION CONTAINED IN THIS DRAWING IS THE SOLE PROPERTY OF SPORTSFIELD SPECIALTIES INC. ANY REPRODUCTION IN PART OR AS A WHOLE WITHOUT THE WRITTEN PERMISSION OF SPORTSFIELD SPECIALTIES INC. IS PROHIBITED.

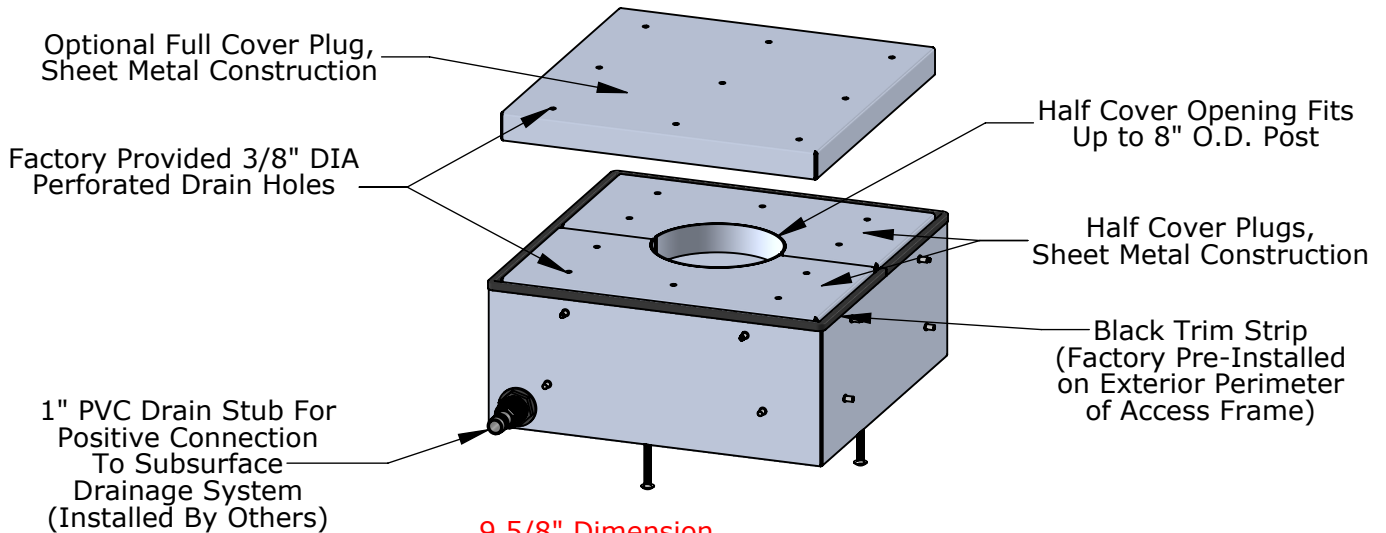
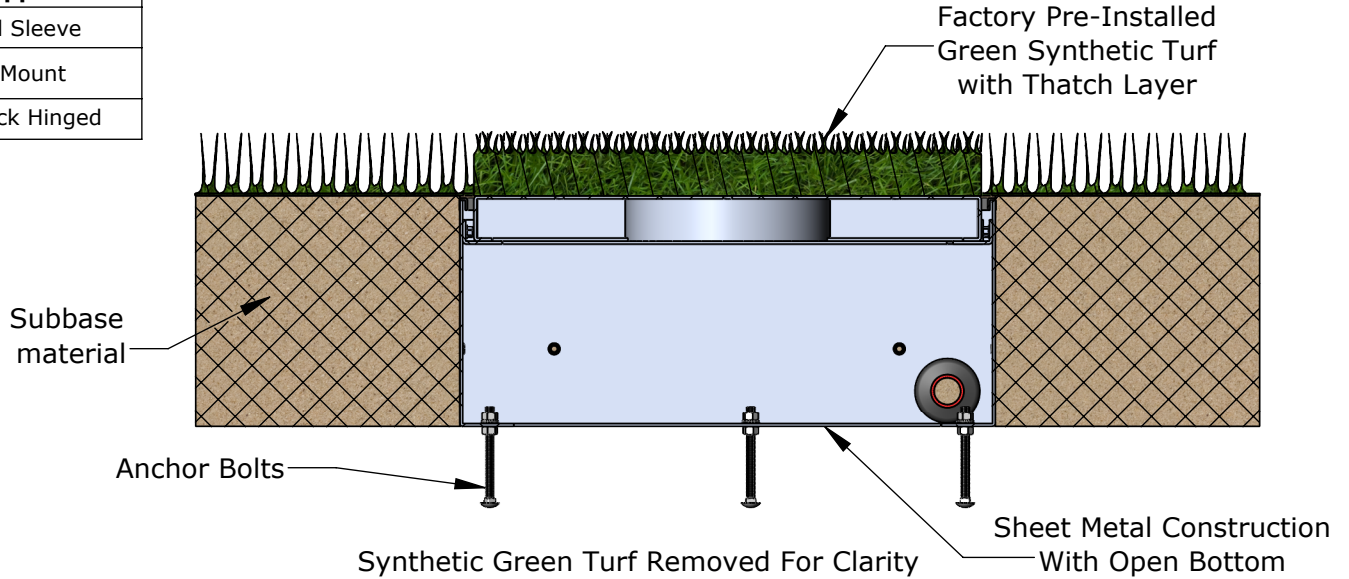
Access Frame with Infill Retainer System for Synthetic Turf Applications

Not To Scale

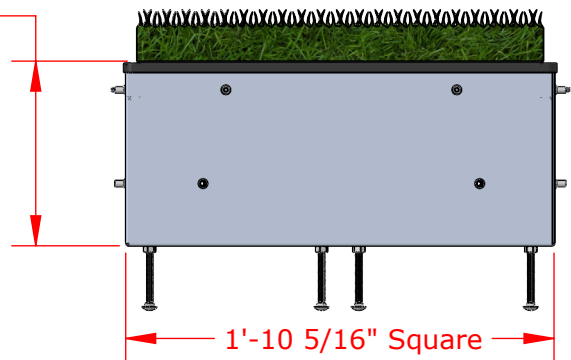
Sportsfield Specialties Inc 104001.1-230710

Standard Applications

Ground Sleeve
Plate Mount
Gooseneck Hinged



9 5/8" Dimension from Bottom of Access Frame to Finish Grade



Part No.	Material	Finish	Optional Full Cover Plug
GPAFNG	1/8" Riveted Aluminum	Mill	GPAFNGC
GPAFNGHD	11 Ga. Welded Steel	Powder Coated Black	GPAFNGCHD

PROPRIETARY AND CONFIDENTIAL

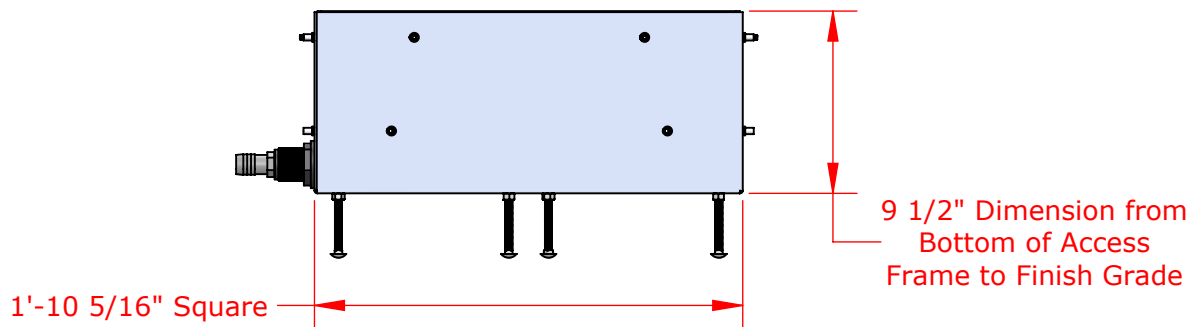
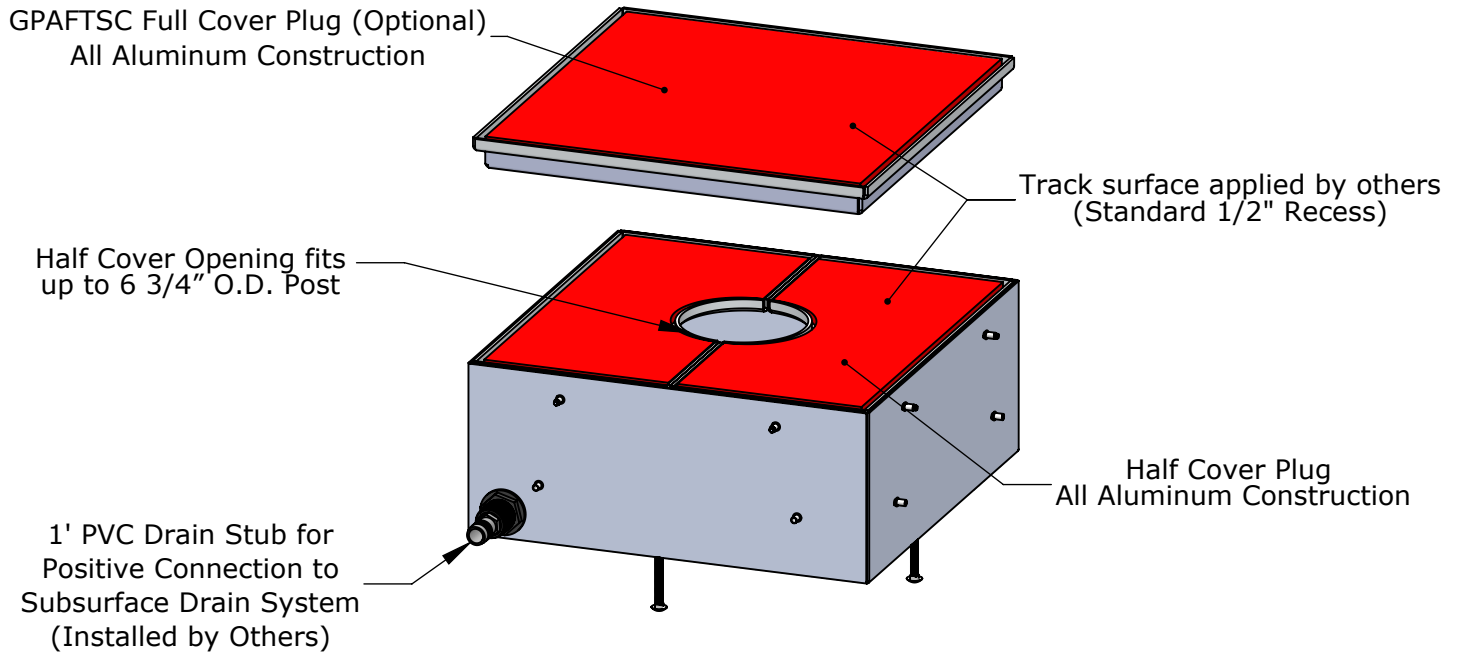
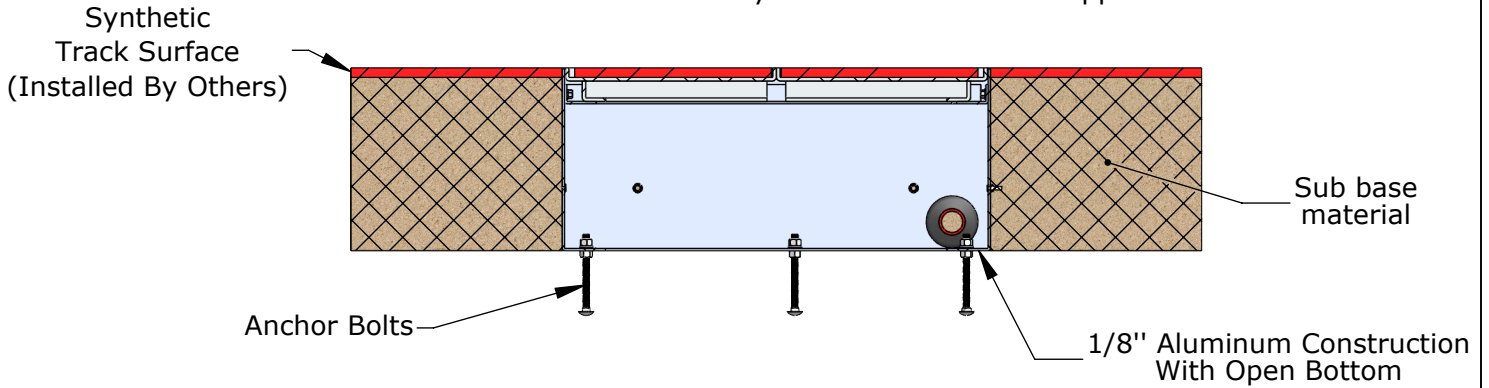
THE INFORMATION CONTAINED IN THIS DRAWING IS THE SOLE PROPERTY OF SPORTSFIELD SPECIALTIES INC. ANY REPRODUCTION IN PART OR AS A WHOLE WITHOUT THE WRITTEN PERMISSION OF SPORTSFIELD SPECIALTIES INC. IS PROHIBITED.

Not To Scale

Access Frame for Natural Grass Applications

Sportsfield Specialties Inc 104003.1-230717

GPAFTS Access Frame for use with Ground Sleeve and Plate Mount AdjustRight® Football Goal Posts Installed in Synthetic Track Surface Applications



PROPRIETARY AND CONFIDENTIAL

THE INFORMATION CONTAINED IN THIS DRAWING IS THE SOLE PROPERTY OF SPORTSFIELD SPECIALTIES INC. ANY REPRODUCTION IN PART OR AS A WHOLE WITHOUT THE WRITTEN PERMISSION OF SPORTSFIELD SPECIALTIES INC. IS PROHIBITED.

GPAFTS (GP4570TS) Access Frame for Synthetic Track Surface Applications

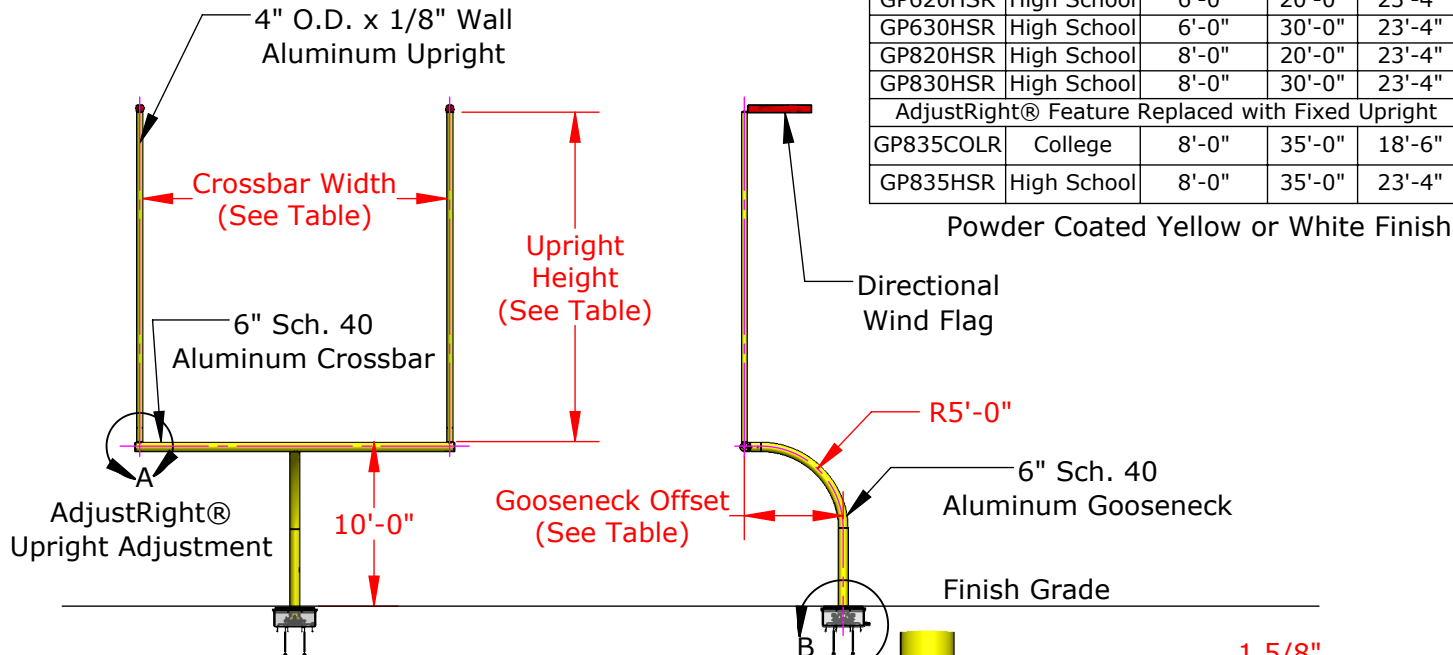
Not To Scale

Sportsfield Specialties Inc 01152020

United States Patent #7,014,578, Issued March 21, 2006
 United States Patent #7,883,432, Issued February 8, 2011
 United States Patent #7,914,401, Issued March 29, 2011
 United States Patent #8,888,615, Issued November 18, 2014
 United States Patent #10,159,881, Issued December 25, 2018

Part No.	Model	Gooseneck Offset	Upright Height	Crossbar Width (I.D.)
GP620COLR	College	6'-0"	20'-0"	18'-6"
GP630COLR	College	6'-0"	30'-0"	18'-6"
GP820COLR	College	8'-0"	20'-0"	18'-6"
GP830COLR	College	8'-0"	30'-0"	18'-6"
GP620HSR	High School	6'-0"	20'-0"	23'-4"
GP630HSR	High School	6'-0"	30'-0"	23'-4"
GP820HSR	High School	8'-0"	20'-0"	23'-4"
GP830HSR	High School	8'-0"	30'-0"	23'-4"
AdjustRight® Feature Replaced with Fixed Upright				
GP835COLR	College	8'-0"	35'-0"	18'-6"
GP835HSR	High School	8'-0"	35'-0"	23'-4"

Powder Coated Yellow or White Finish



AdjustRight®

Patented design feature that allows for a true vertical adjustment of the upright while still maintaining squareness and distance between crossbar/upright connection with the use of precision friction fit textured surfaces rather than locking roll pins

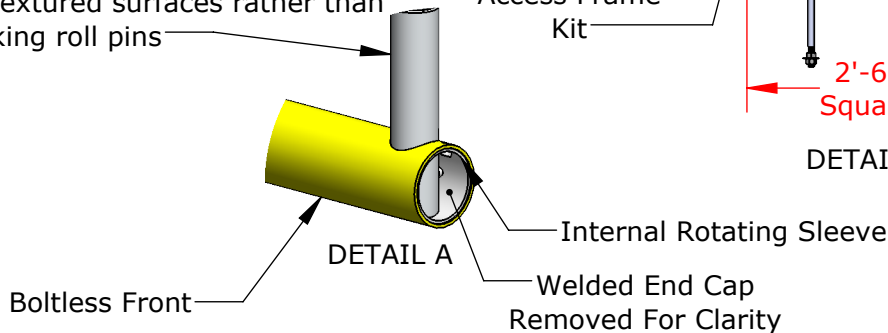
1'- 3/8"
Dimension From Top of Synthetic Turf Attachment Ledge to Bottom of Box

1 5/8"
Dimension From Top of Synthetic Turf Attachment Ledge to Top of Gasket

GPAFITR30 Access Frame Kit

1" PVC Drain Stub for Positive Connection to Subsurface Drainage System (Installed by Others)

DETAIL B



Foundation requirements based on local codes and soil conditions

Minimum Recommended Foundation Diameter = 3'-6"

PROPRIETARY AND CONFIDENTIAL

THE INFORMATION CONTAINED IN THIS DRAWING IS THE SOLE PROPERTY OF SPORTSFIELD SPECIALTIES INC. ANY REPRODUCTION IN PART OR AS A WHOLE WITHOUT THE WRITTEN PERMISSION OF SPORTSFIELD SPECIALTIES INC. IS PROHIBITED.

Rotating Football Goal Post

Not To Scale

Sportsfield Specialties Inc 06102022

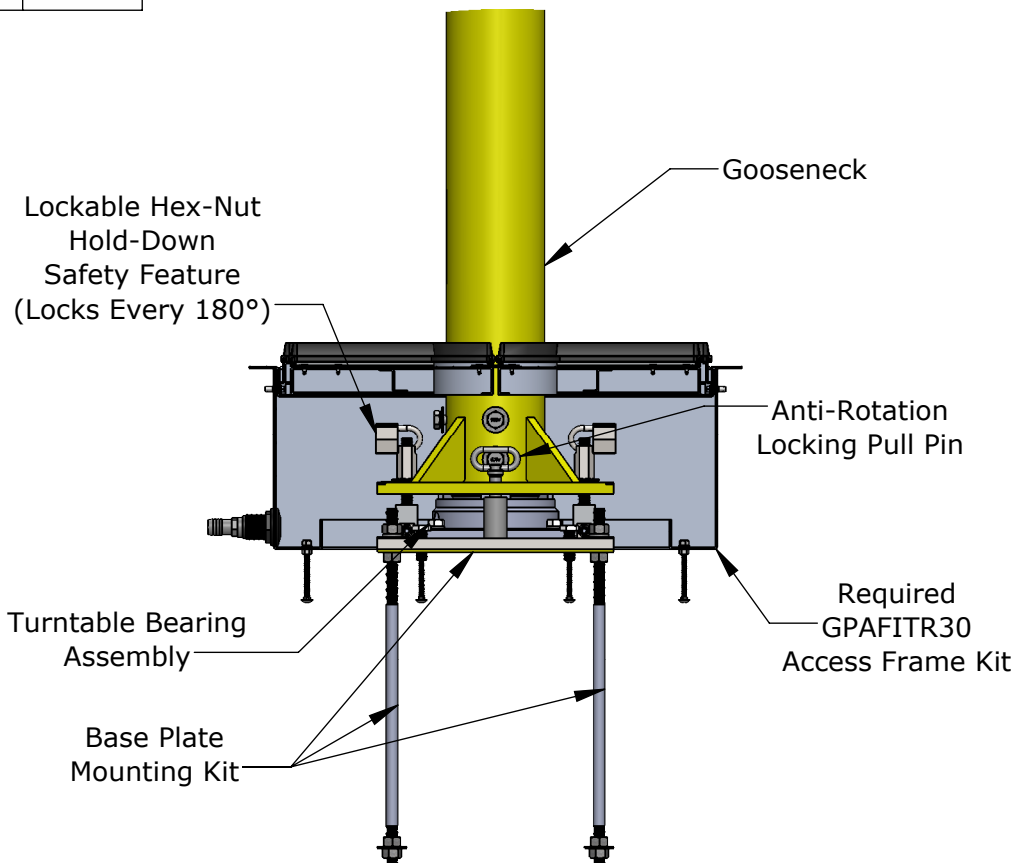
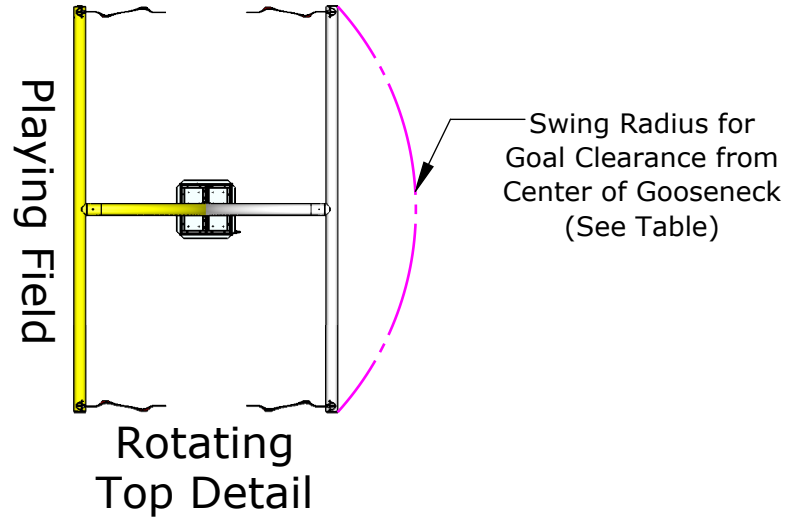
Applicable Goal Post Styles

Rotating

Rotating Gooseneck Hinged

Key Dimensions

Gooseneck Offset	Model	Swing Radius
6'	College	12'
6'	High School	14'
6'	Adjustable	14'
8'	College	13'
8'	High School	15'
8'	Adjustable	15'



PROPRIETARY AND CONFIDENTIAL

THE INFORMATION CONTAINED IN THIS DRAWING IS THE SOLE PROPERTY OF SPORTSFIELD SPECIALTIES INC. ANY REPRODUCTION IN PART OR AS A WHOLE WITHOUT THE WRITTEN PERMISSION OF SPORTSFIELD SPECIALTIES INC. IS PROHIBITED.

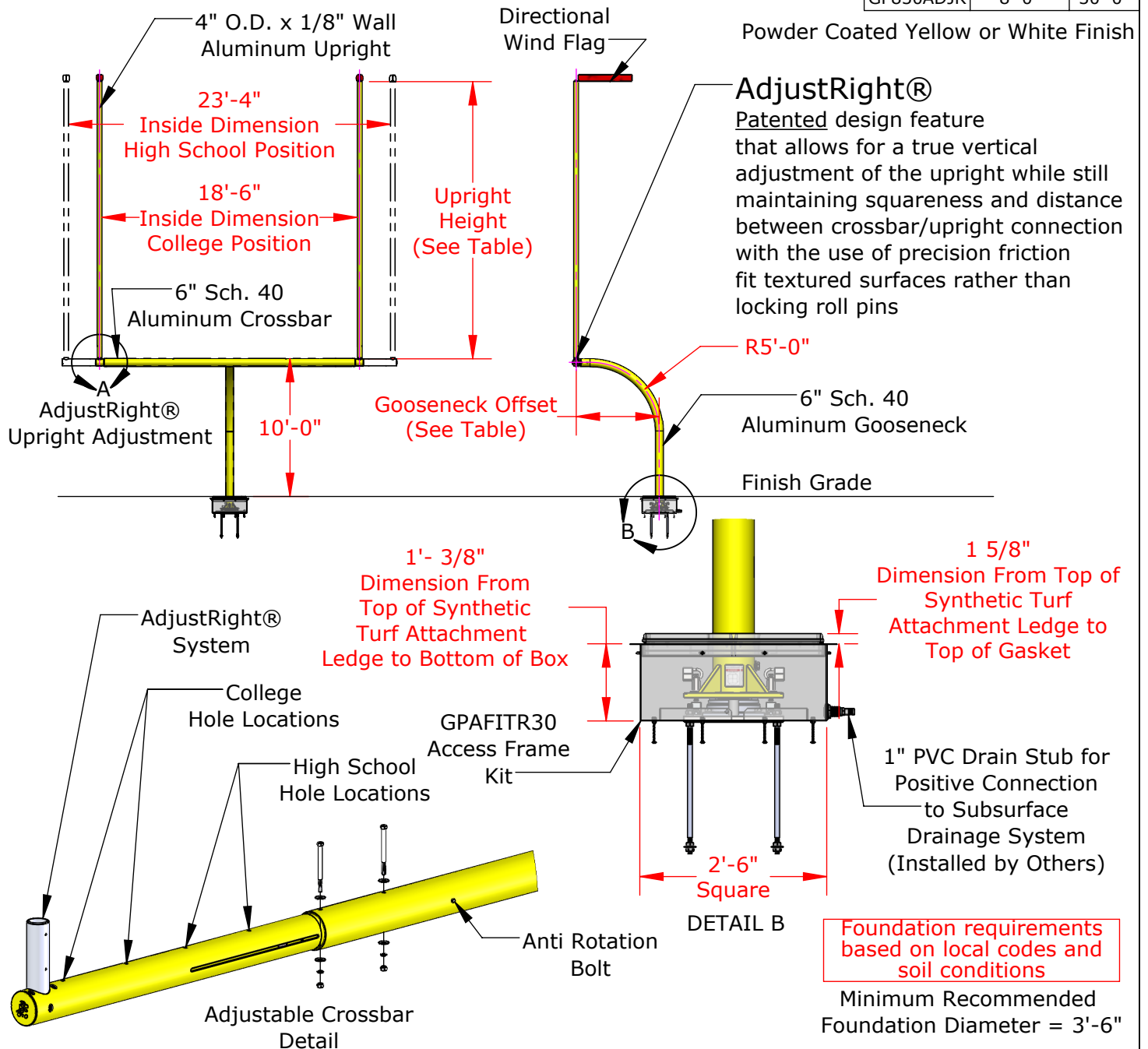
**Football Goal Post
Rotating Detail**

Not To Scale

Sportsfield Specialties Inc 06102022

United States Patent #7,014,578, Issued March 21, 2006
 United States Patent #7,883,432, Issued February 8, 2011
 United States Patent #7,914,401, Issued March 29, 2011
 United States Patent #8,888,615, Issued November 18, 2014
 United States Patent #10,159,881, Issued December 25, 2018

Part No.	Gooseneck Offset	Upright Height
GP620ADJR	6'-0"	20'-0"
GP630ADJR	6'-0"	30'-0"
GP820ADJR	8'-0"	20'-0"
GP830ADJR	8'-0"	30'-0"



PROPRIETARY AND CONFIDENTIAL

THE INFORMATION CONTAINED IN THIS DRAWING IS THE SOLE PROPERTY OF SPORTSFIELD SPECIALTIES INC. ANY REPRODUCTION IN PART OR AS A WHOLE WITHOUT THE WRITTEN PERMISSION OF SPORTSFIELD SPECIALTIES INC. IS PROHIBITED.

Adjustable Rotating Football Goal Post

Not To Scale

Sportsfield Specialties Inc 06102022

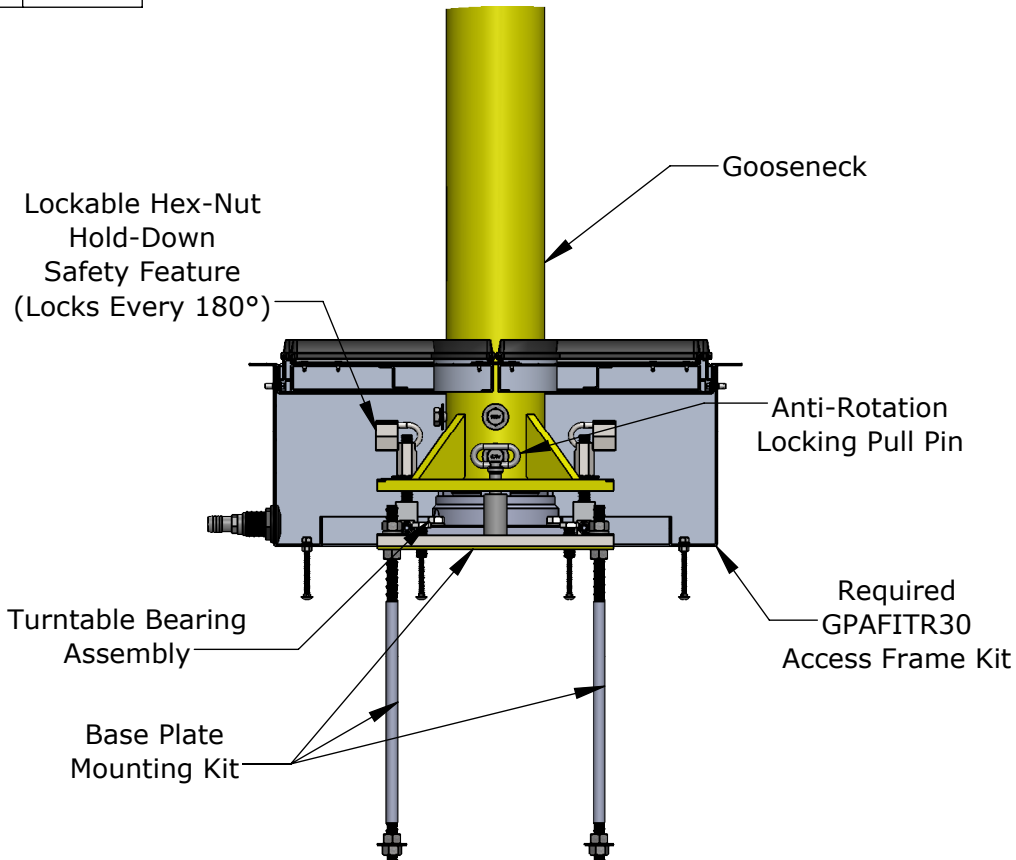
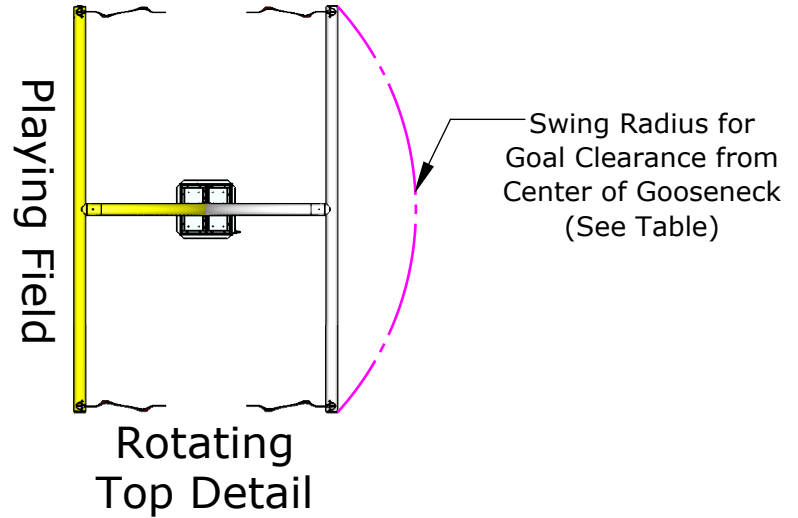
Applicable Goal Post Styles

Rotating

Rotating Gooseneck Hinged

Key Dimensions

Gooseneck Offset	Model	Swing Radius
6'	College	12'
6'	High School	14'
6'	Adjustable	14'
8'	College	13'
8'	High School	15'
8'	Adjustable	15'



PROPRIETARY AND CONFIDENTIAL

THE INFORMATION CONTAINED IN THIS DRAWING IS THE SOLE PROPERTY OF SPORTSFIELD SPECIALTIES INC. ANY REPRODUCTION IN PART OR AS A WHOLE WITHOUT THE WRITTEN PERMISSION OF SPORTSFIELD SPECIALTIES INC. IS PROHIBITED.

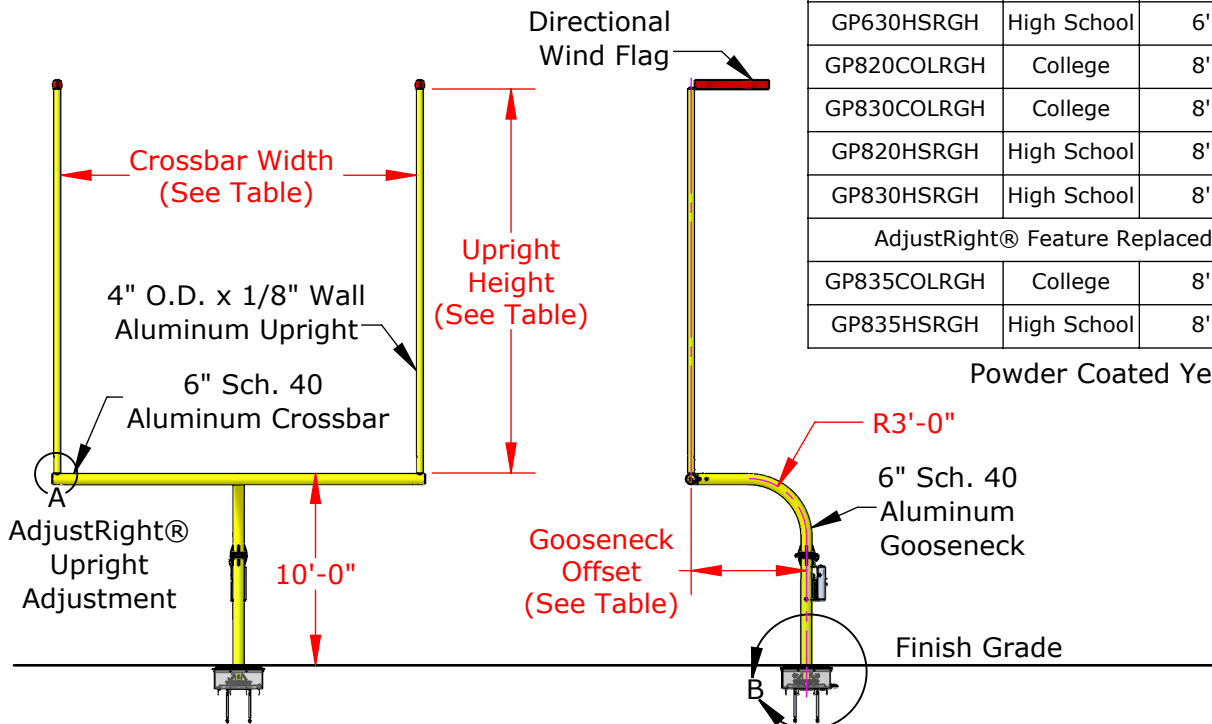
**Football Goal Post
Rotating Detail**

Not To Scale

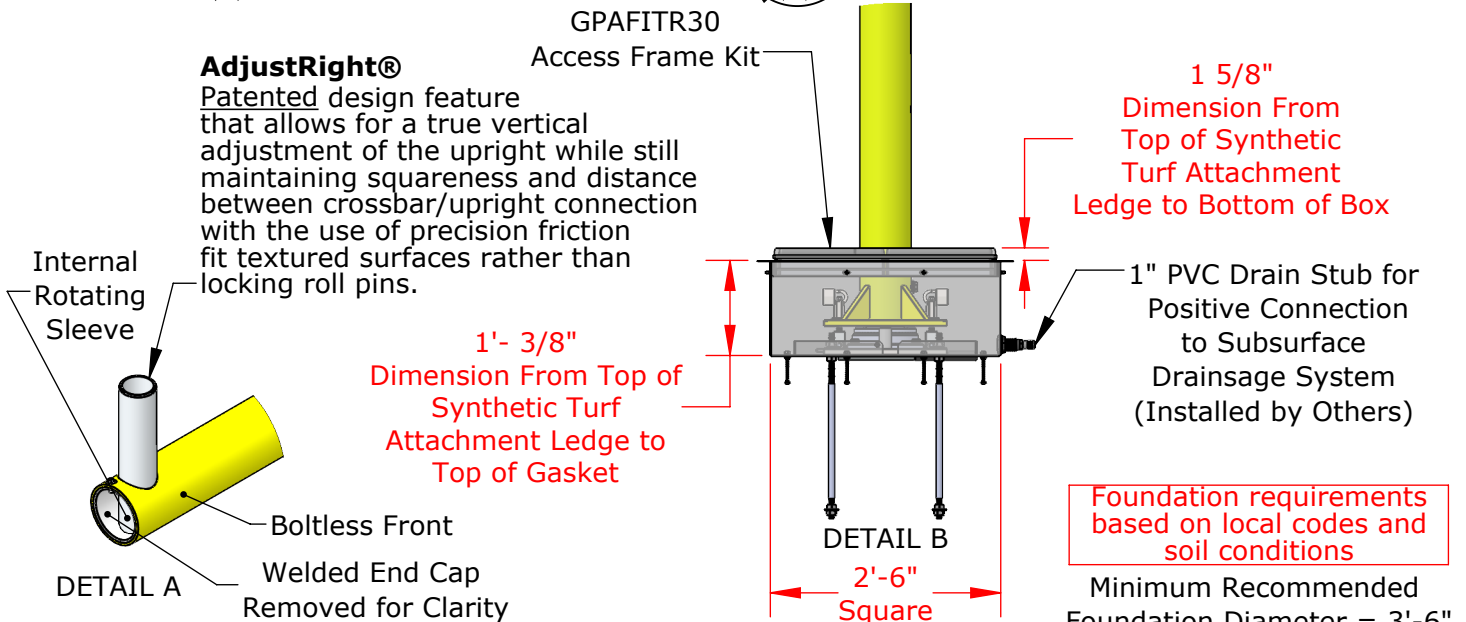
Sportsfield Specialties Inc 06102022

United States Patent #7,014,578, Issued March 21, 2006
 United States Patent #7,883,432, Issued February 8, 2011
 United States Patent #7,914,401, Issued March 29, 2011
 United States Patent #8,496,547, Issued July 30, 2013

Part No.	Model	Gooseneck Offset	Upright Height	Crossbar Width (I.D.)
GP620COLRGH	College	6'	20'	18'-6"
GP630COLRGH	College	6'	30'	18'-6"
GP620HSRGH	High School	6'	20'	23'-4"
GP630HSRGH	High School	6'	30'	23'-4"
GP820COLRGH	College	8'	20'	18'-6"
GP830COLRGH	College	8'	30'	18'-6"
GP820HSRGH	High School	8'	20'	23'-4"
GP830HSRGH	High School	8'	30'	23'-4"
AdjustRight® Feature Replaced with Fixed Upright				
GP835COLRGH	College	8'	35'	18'-6"
GP835HSRGH	High School	8'	35'	23'-4"



Powder Coated Yellow or White Finish



PROPRIETARY AND CONFIDENTIAL

THE INFORMATION CONTAINED IN THIS DRAWING IS THE SOLE PROPERTY OF SPORTSFIELD SPECIALTIES INC. ANY REPRODUCTION IN PART OR AS A WHOLE WITHOUT THE WRITTEN PERMISSION OF SPORTSFIELD SPECIALTIES INC. IS PROHIBITED.

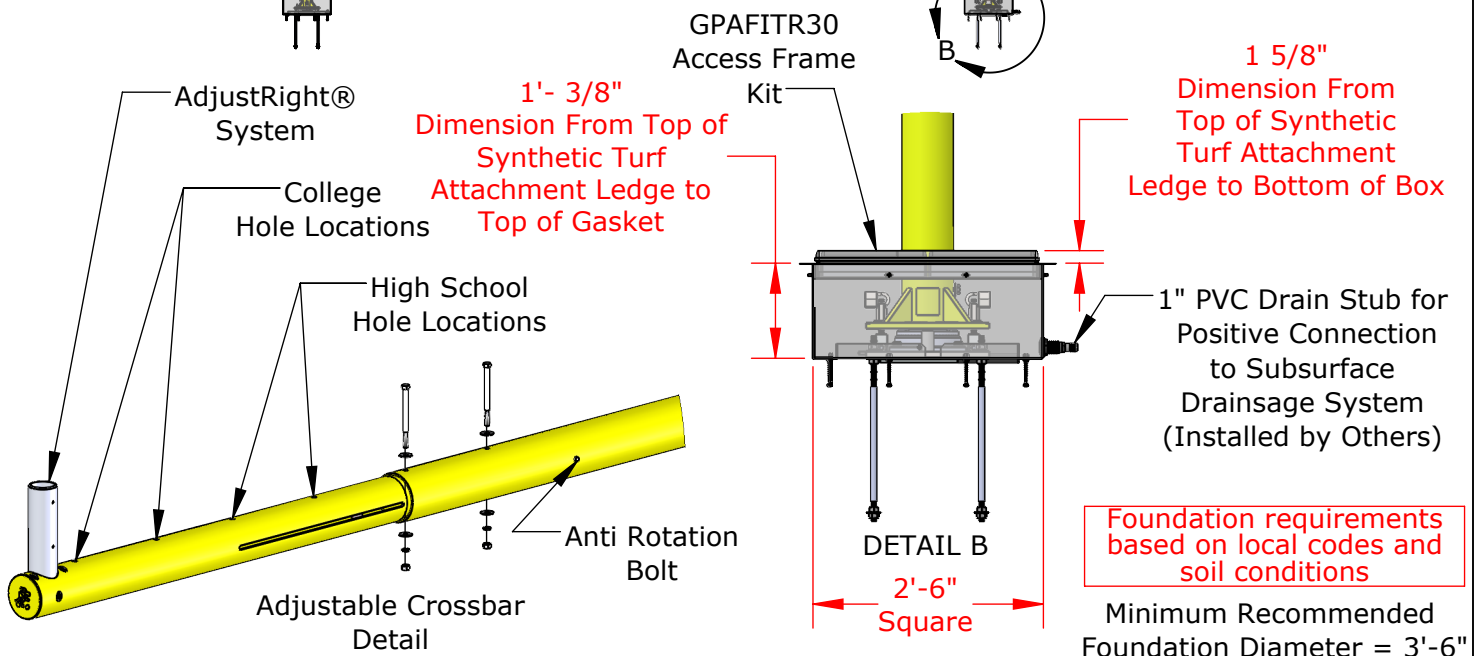
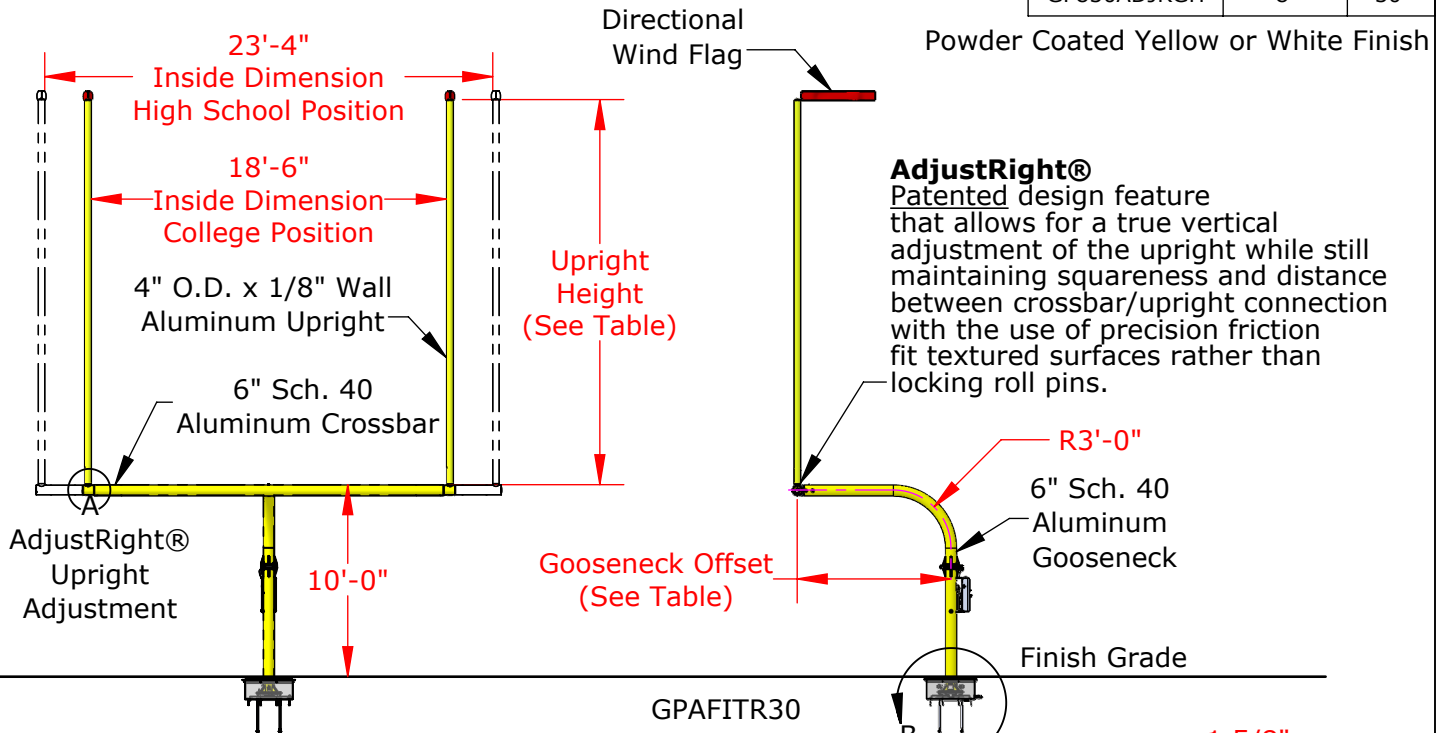
Rotating Gooseneck Hinged Football Goal Post

Not To Scale

Sportsfield Specialties Inc 06282022

United States Patent #7,014,578, Issued March 21, 2006
 United States Patent #7,883,432, Issued February 8, 2011
 United States Patent #7,914,401, Issued March 29, 2011
 United States Patent #8,496,547, Issued July 30, 2013

Part No.	Gooseneck Offset	Upright Height
GP620ADJRGH	6'	20'
GP630ADJRGH	6'	30'
GP820ADJRGH	8'	20'
GP830ADJRGH	8'	30'



PROPRIETARY AND CONFIDENTIAL

THE INFORMATION CONTAINED IN THIS DRAWING IS THE SOLE PROPERTY OF SPORTSFIELD SPECIALTIES INC. ANY REPRODUCTION IN PART OR AS A WHOLE WITHOUT THE WRITTEN PERMISSION OF SPORTSFIELD SPECIALTIES INC. IS PROHIBITED.

Adjustable Rotating Gooseneck Hinged Football Goal Post

Not To Scale

Sportsfield Specialties Inc 06102022

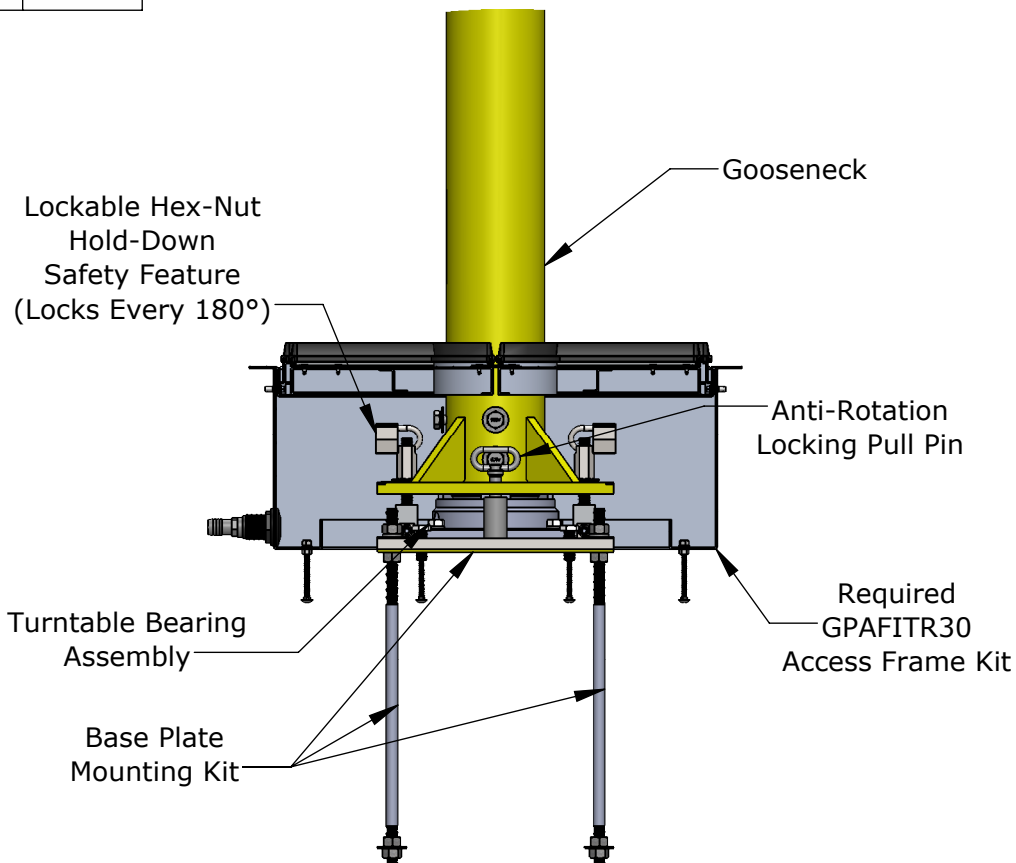
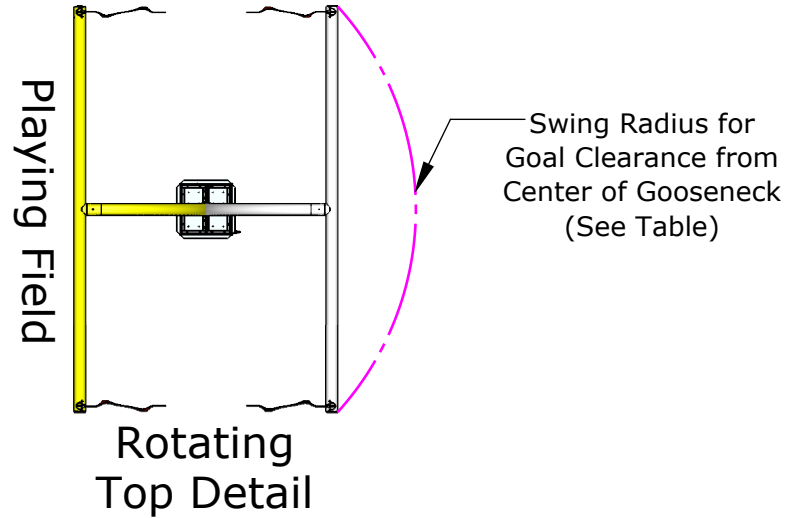
Applicable Goal Post Styles

Rotating

Rotating Gooseneck Hinged

Key Dimensions

Gooseneck Offset	Model	Swing Radius
6'	College	12'
6'	High School	14'
6'	Adjustable	14'
8'	College	13'
8'	High School	15'
8'	Adjustable	15'



PROPRIETARY AND CONFIDENTIAL

THE INFORMATION CONTAINED IN THIS DRAWING IS THE SOLE PROPERTY OF SPORTSFIELD SPECIALTIES INC. ANY REPRODUCTION IN PART OR AS A WHOLE WITHOUT THE WRITTEN PERMISSION OF SPORTSFIELD SPECIALTIES INC. IS PROHIBITED.

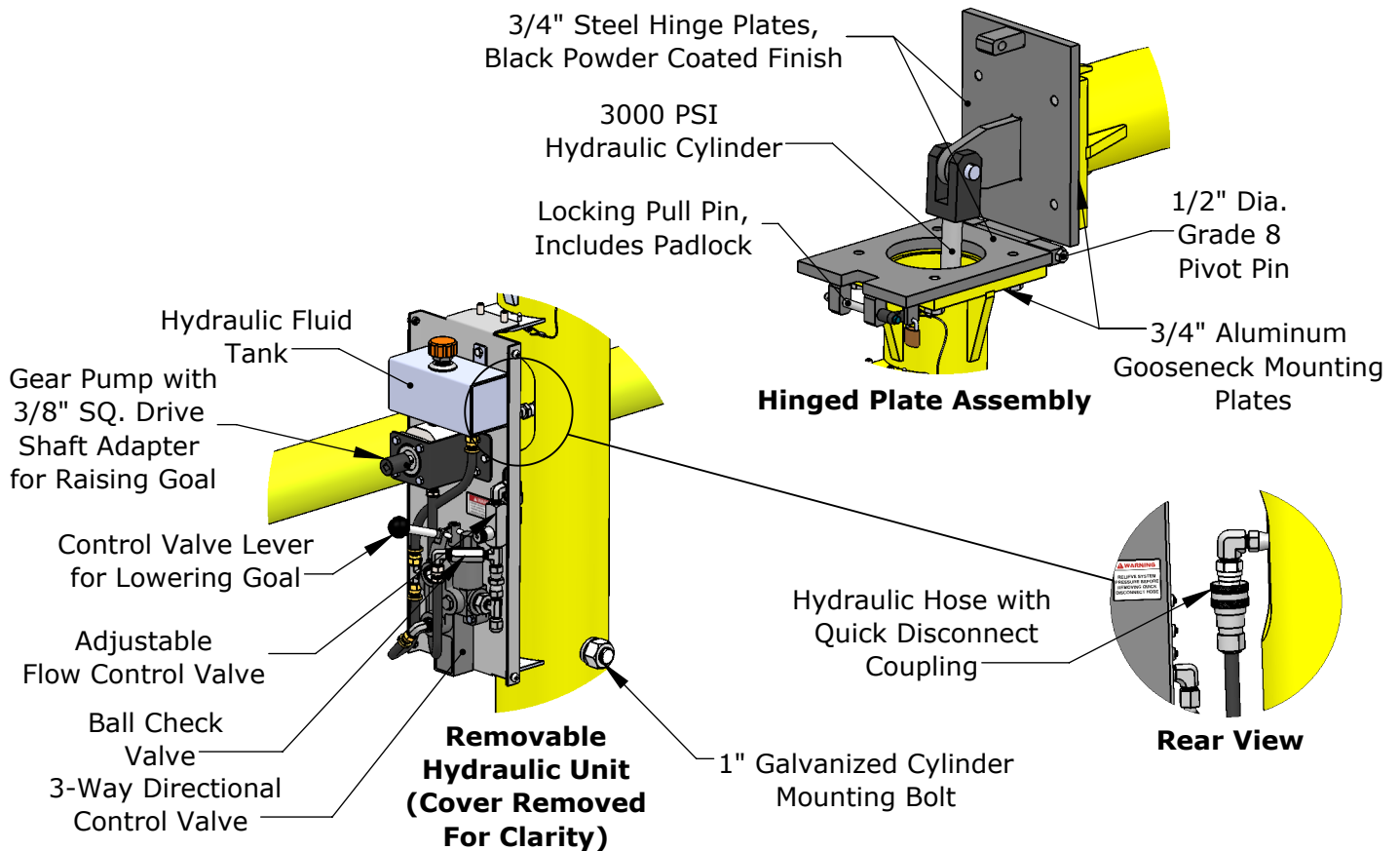
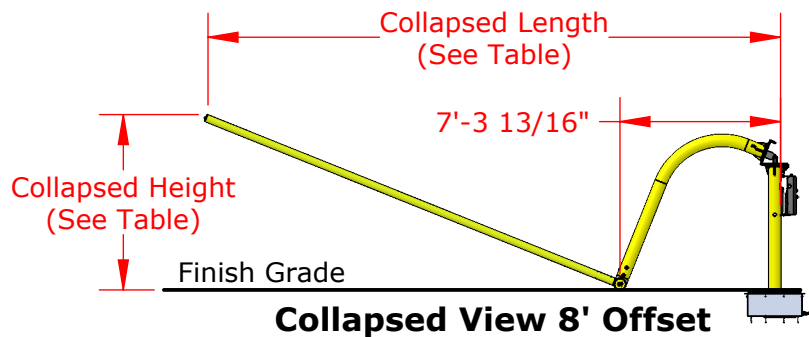
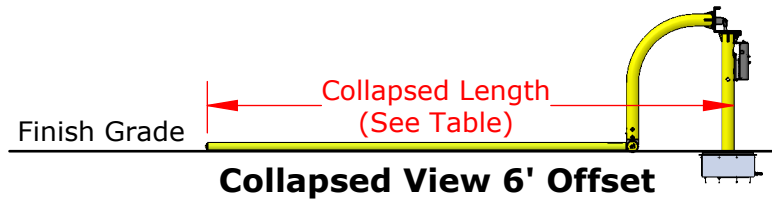
**Football Goal Post
Rotating Detail**

Not To Scale

Sportsfield Specialties Inc 06102022

Applicable Goal Post Styles
Ground Sleeve Gooseneck Hinged
Plate Mount Gooseneck Hinged
Rotating Gooseneck Hinged

Key Dimensions			
Gooseneck Offset	Upright Height	Collapsed Length	Collapsed Height
6'	20'	25'-7/8"	N/A
6'	30'	35'-7/8"	N/A
6'	35'	40'-7/8"	N/A
8'	20'	26'-2"	7'-10"
8'	30'	35'-6"	11'-6 5/8"
8'	35'	40'-1"	13'-5"



PROPRIETARY AND CONFIDENTIAL

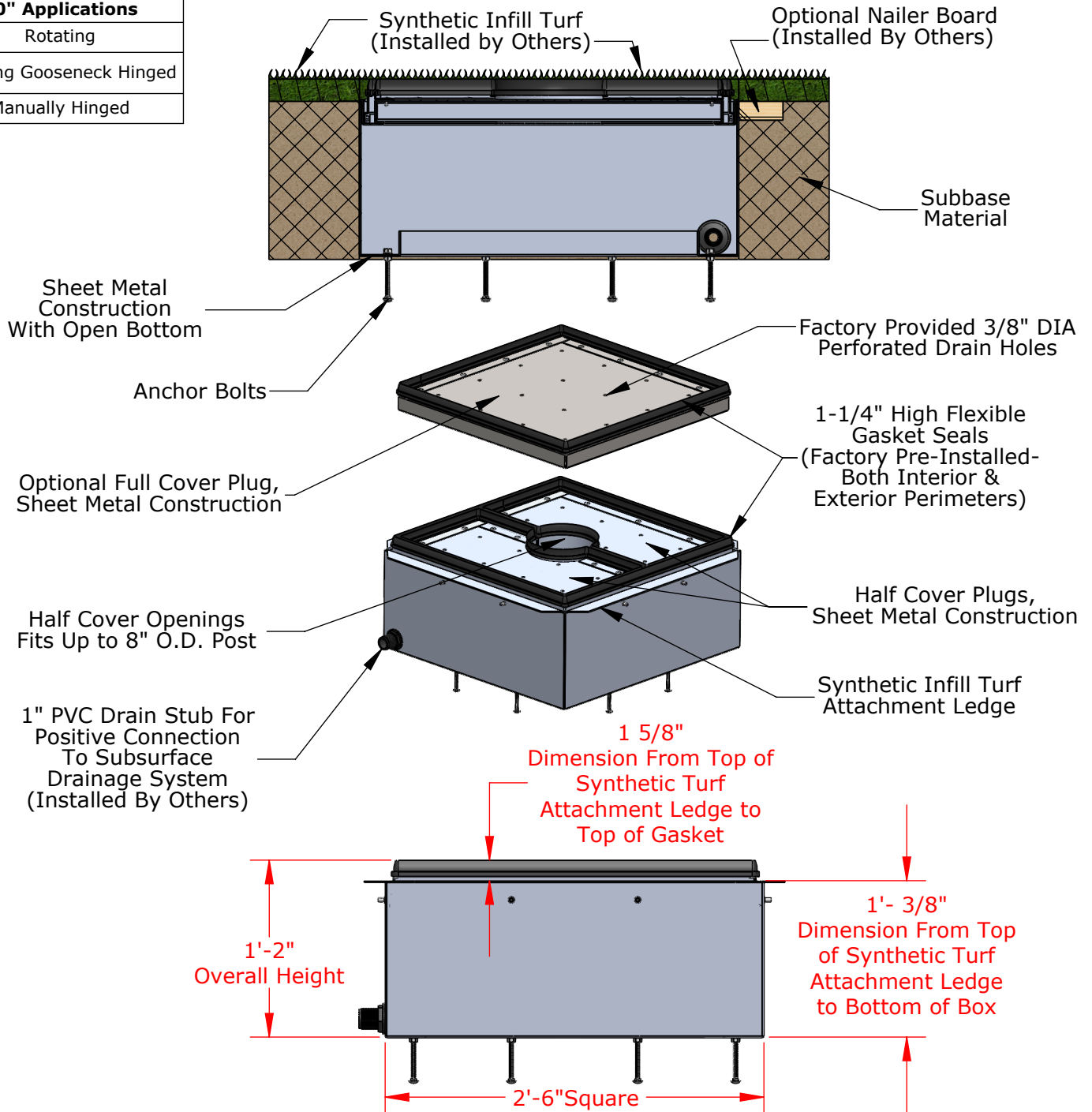
THE INFORMATION CONTAINED IN THIS DRAWING IS THE SOLE PROPERTY OF SPORTSFIELD SPECIALTIES INC. ANY REPRODUCTION IN PART OR AS A WHOLE WITHOUT THE WRITTEN PERMISSION OF SPORTSFIELD SPECIALTIES INC. IS PROHIBITED.

Not To Scale

Football Goal Post Gooseneck Hinged Detail

Sportsfield Specialties Inc 06012022

30" Applications
Rotating
Rotating Gooseneck Hinged
Manually Hinged



Part No.	Material	Finish	Optional Full Cover Plug
GPAFITR30	1/8" Riveted Aluminum	Mill	GPAFITRC30
GPAFITR30HD	11 Ga. Welded Steel	Powder Coated Black	GPAFITRC30HD

PROPRIETARY AND CONFIDENTIAL

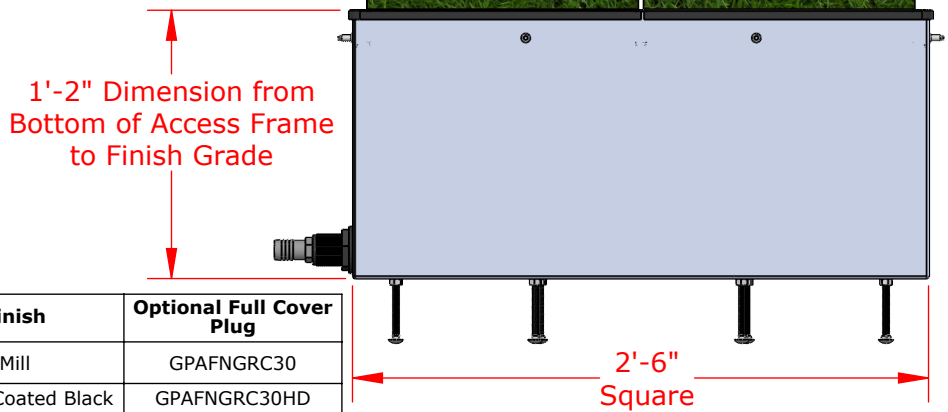
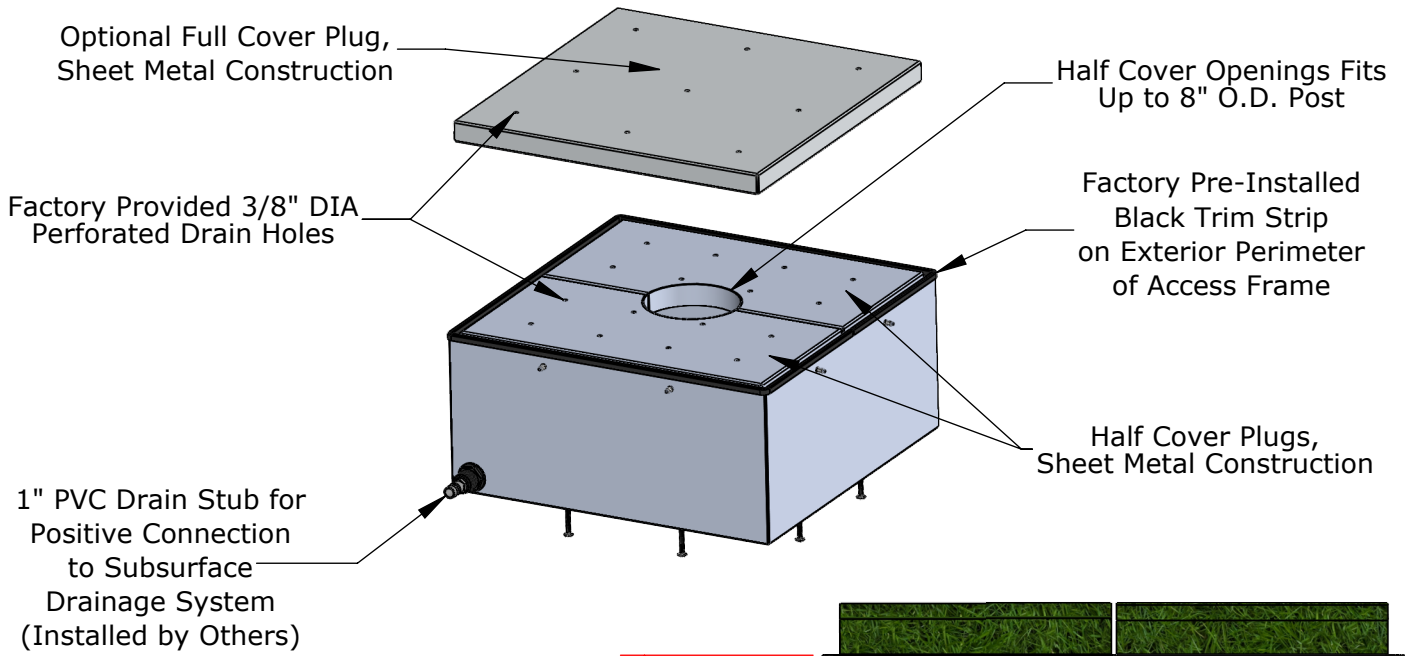
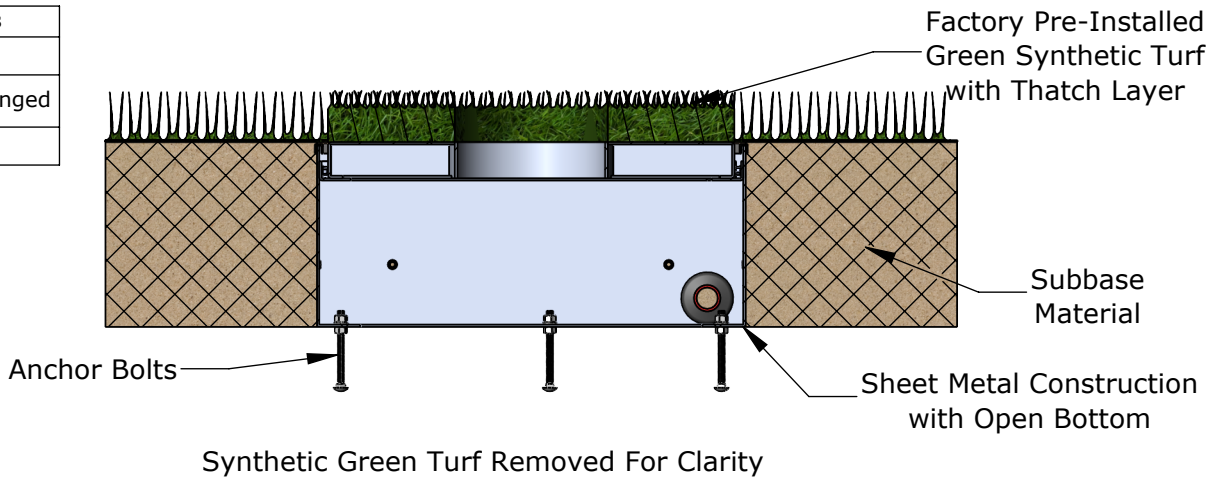
THE INFORMATION CONTAINED IN THIS DRAWING IS THE SOLE PROPERTY OF SPORTSFIELD SPECIALTIES INC. ANY REPRODUCTION IN PART OR AS A WHOLE WITHOUT THE WRITTEN PERMISSION OF SPORTSFIELD SPECIALTIES INC. IS PROHIBITED.

30" Access Frame with Infill Retainer System for Synthetic Turf Applications

Not To Scale

Sportsfield Specialties Inc 104014.1-230717

30" Applications
Rotating
Rotating Gooseneck Hinged
Manually Hinged



Part No.	Material	Finish	Optional Full Cover Plug
GPAFNGR30	1/8" Riveted Aluminum	Mill	GPAFNGRC30
GPAFNGR30HD	11 Ga. Welded Steel	Powder Coated Black	GPAFNGRC30HD

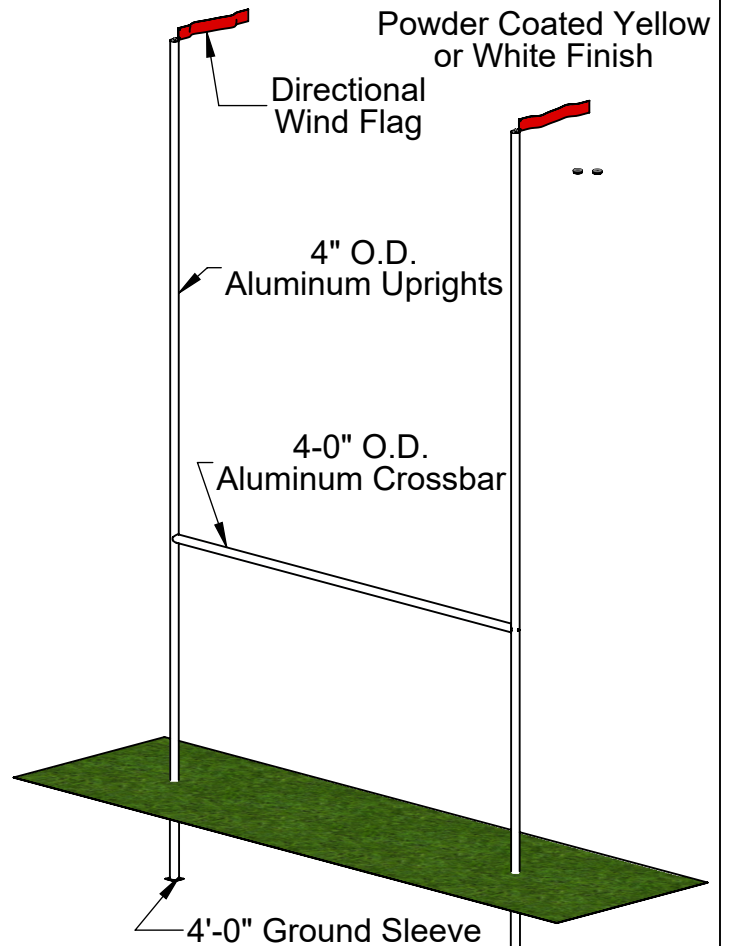
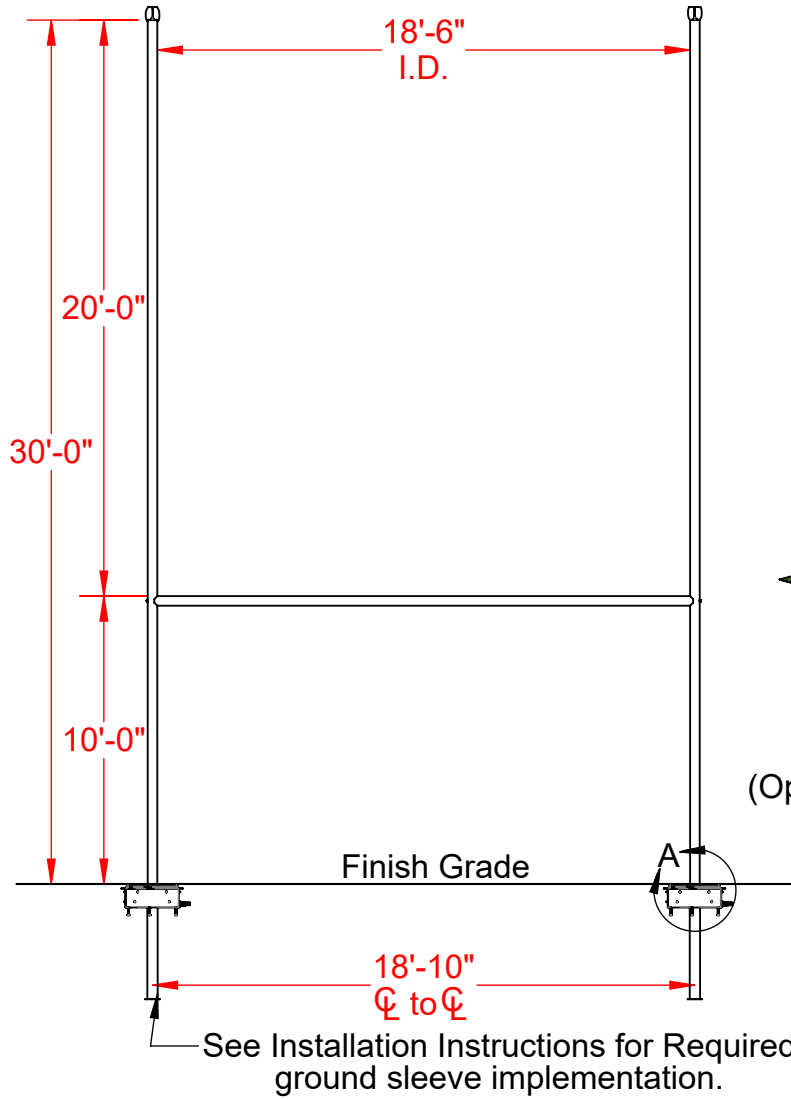
PROPRIETARY AND CONFIDENTIAL
THE INFORMATION CONTAINED IN THIS DRAWING IS THE SOLE PROPERTY OF SPORTSFIELD SPECIALTIES INC. ANY REPRODUCTION IN PART OR AS A WHOLE WITHOUT THE WRITTEN PERMISSION OF SPORTSFIELD SPECIALTIES INC. IS PROHIBITED.

**30" Access Frame
for Natural Grass Applications**

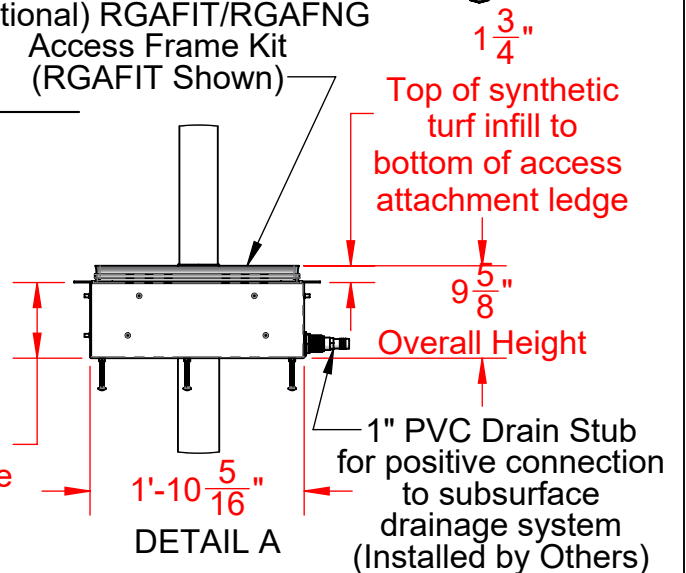
Not To Scale Sportsfield Specialties Inc 104370.1-230717

Minimum Foundation Loads Service Per ASCE 7-10 (105mph, Exposure B)	
Axial	(2) @ 175 #
Shear	(2) @ 250 #
Moment	(2) @ 4.42 K-ft

Design Loads Per Connection Point



(Optional) RGAFIT/RGAFNG Access Frame Kit (RGAFIT Shown)



PROPRIETARY AND CONFIDENTIAL

THE INFORMATION CONTAINED IN THIS DRAWING IS THE SOLE PROPERTY OF SPORTSFIELD SPECIALTIES INC. ANY REPRODUCTION IN PART OR AS A WHOLE WITHOUT THE WRITTEN PERMISSION OF SPORTSFIELD SPECIALTIES INC. IS PROHIBITED.

**GPH20COL
H-Style College Football Goal Post**

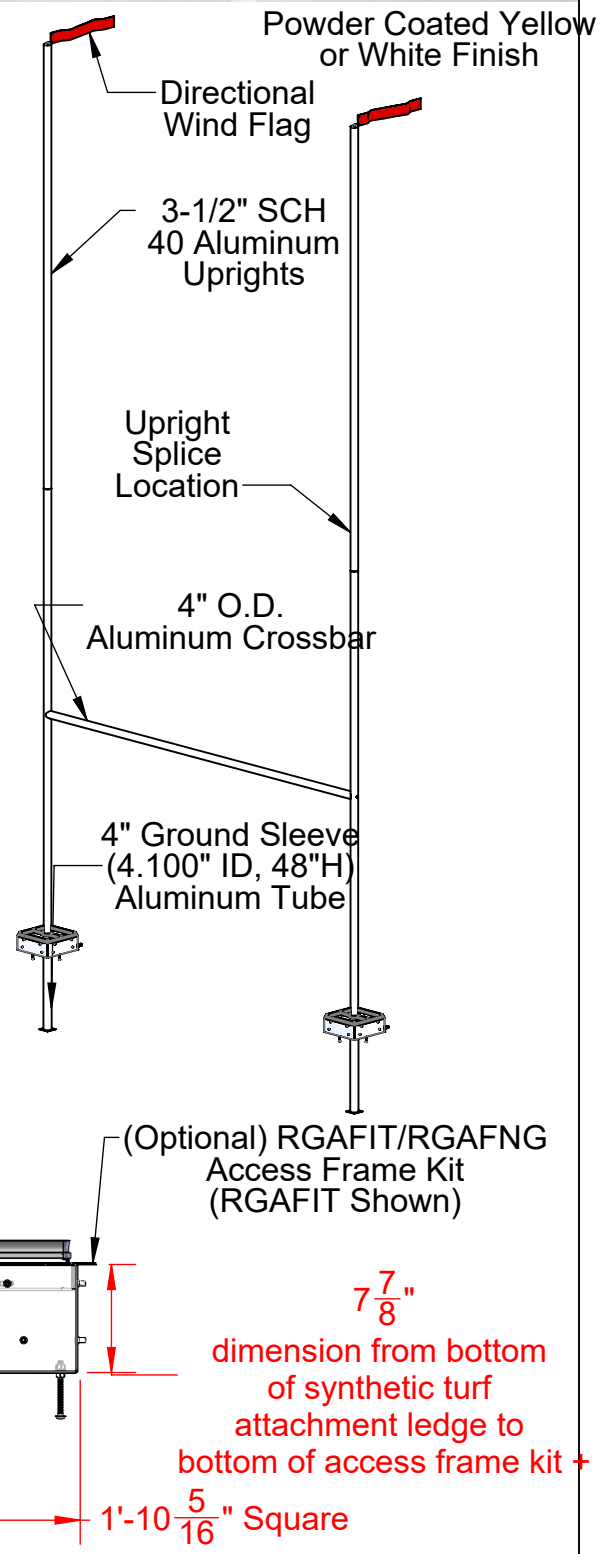
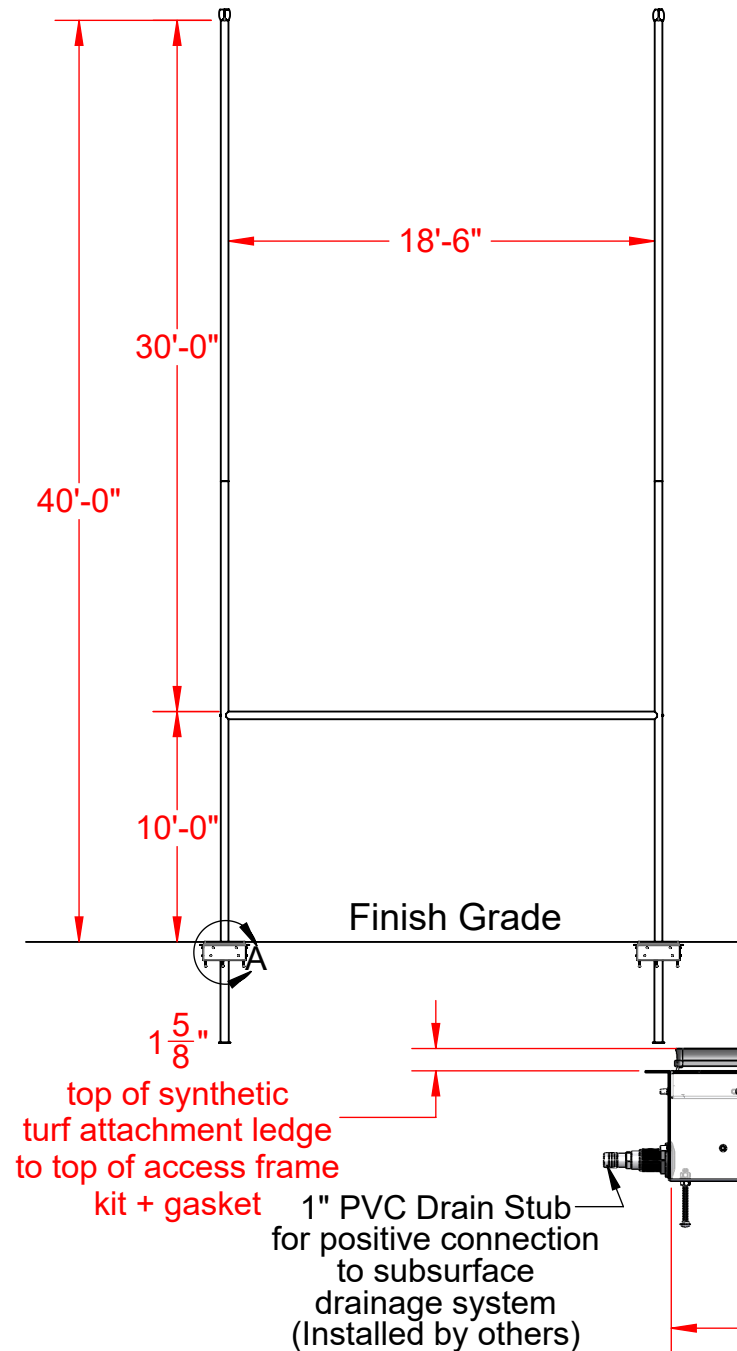
Not To Scale

Sportsfield Specialties Inc 105581.1-221209

Minimum Foundation Requirements Based on ASCE 7-10 (105mph With Exposure B)

Axial	190 lb
Shear	390 lb
Moment	6,910 lb-ft

Design Loads Per Connection Point



PROPRIETARY AND CONFIDENTIAL

THE INFORMATION CONTAINED IN THIS DRAWING IS THE SOLE PROPERTY OF SPORTSFIELD SPECIALTIES INC. ANY REPRODUCTION IN PART OR AS A WHOLE WITHOUT THE WRITTEN PERMISSION OF SPORTSFIELD SPECIALTIES INC. IS PROHIBITED.

Not To Scale

GPH30COL H-Style College Football Goal Post

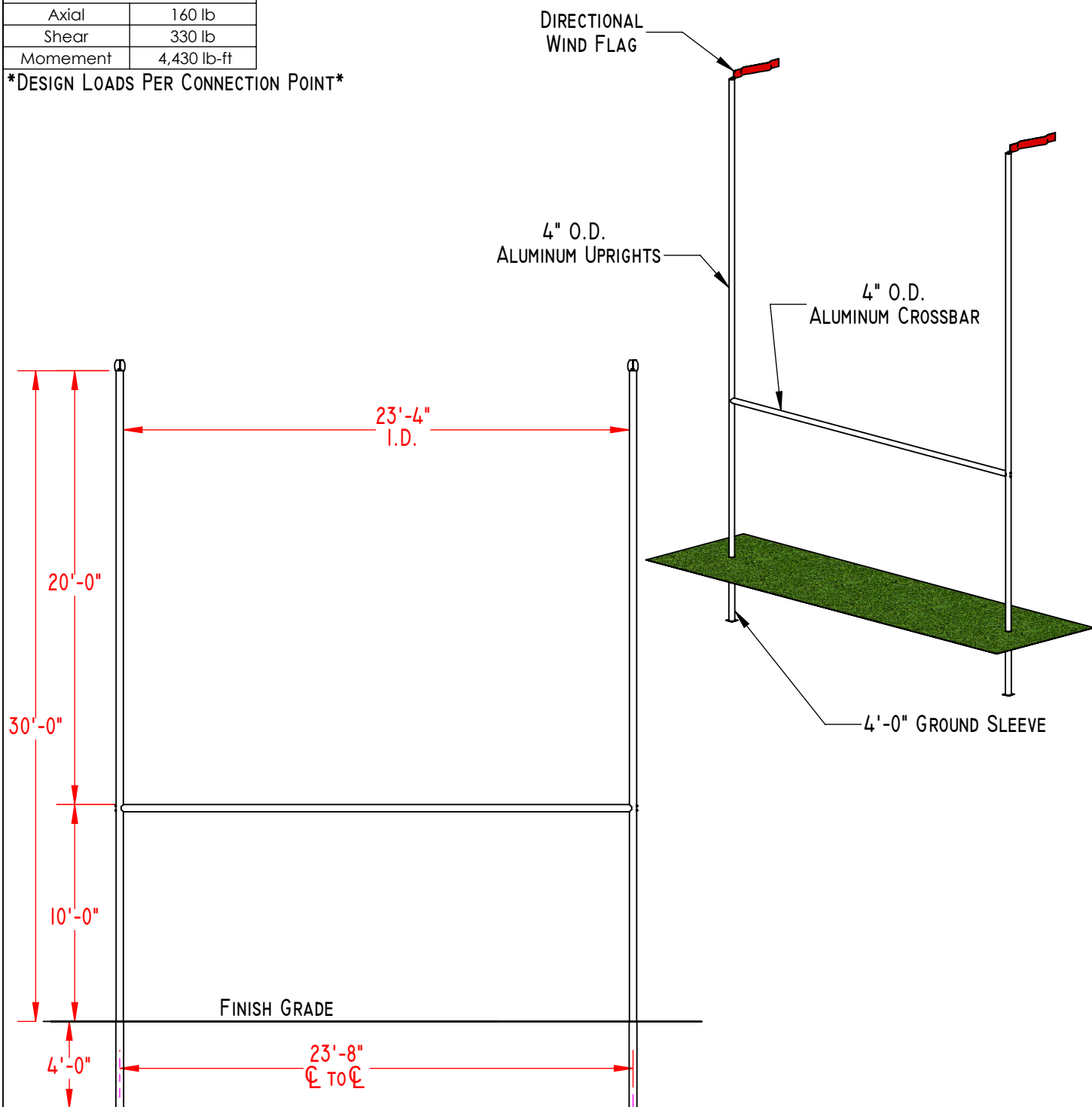
Sportsfield Specialties Inc 105576.1-221209

Minimum Foundation Requirements Per Ground Sleeve, Based on ASCE 7-10 (105mph With Exposure B)

Axial	160 lb
Shear	330 lb
Momement	4,430 lb-ft

DESIGN LOADS PER CONNECTION POINT

**POWDER COATED YELLOW
OR WHITE FINISH**



PROPRIETARY AND CONFIDENTIAL

**GPH20HS (GP4950)
H-STYLE HIGH SCHOOL FOOTBALL GOAL POST**

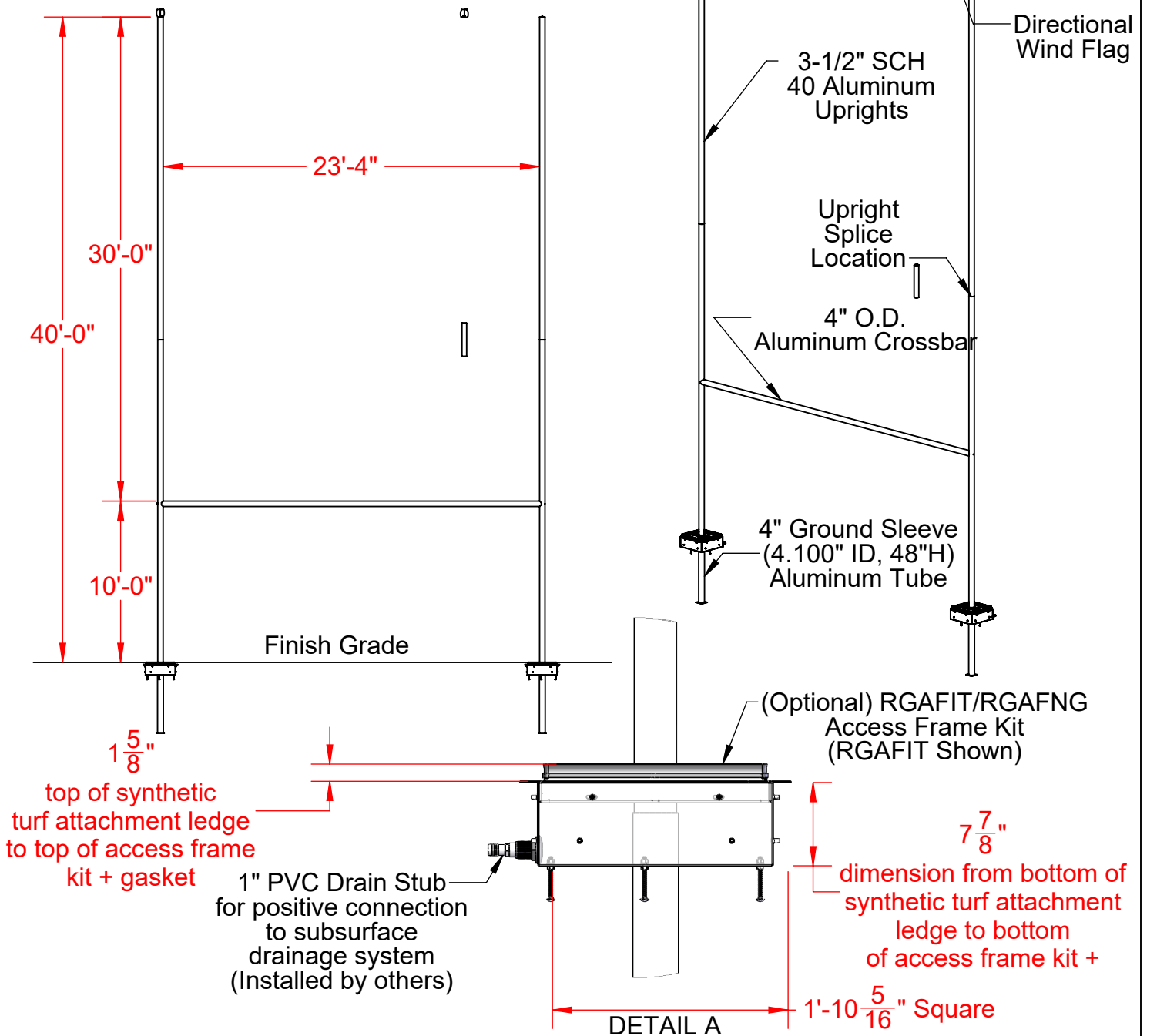
NOT TO SCALE

SPORTSFIELD SPECIALTIES INC 07312017

Minimum Foundation Requirements Based on ASCE 7-10 (105mph With Exposure B)

Axial	200 lb
Shear	410 lb
Moment	7,110 lb-ft

Design Loads Per Connection Point



PROPRIETARY AND CONFIDENTIAL

THE INFORMATION CONTAINED IN THIS DRAWING IS THE SOLE PROPERTY OF SPORTSFIELD SPECIALTIES INC. ANY REPRODUCTION IN PART OR AS A WHOLE WITHOUT THE WRITTEN PERMISSION OF SPORTSFIELD SPECIALTIES INC. IS PROHIBITED.

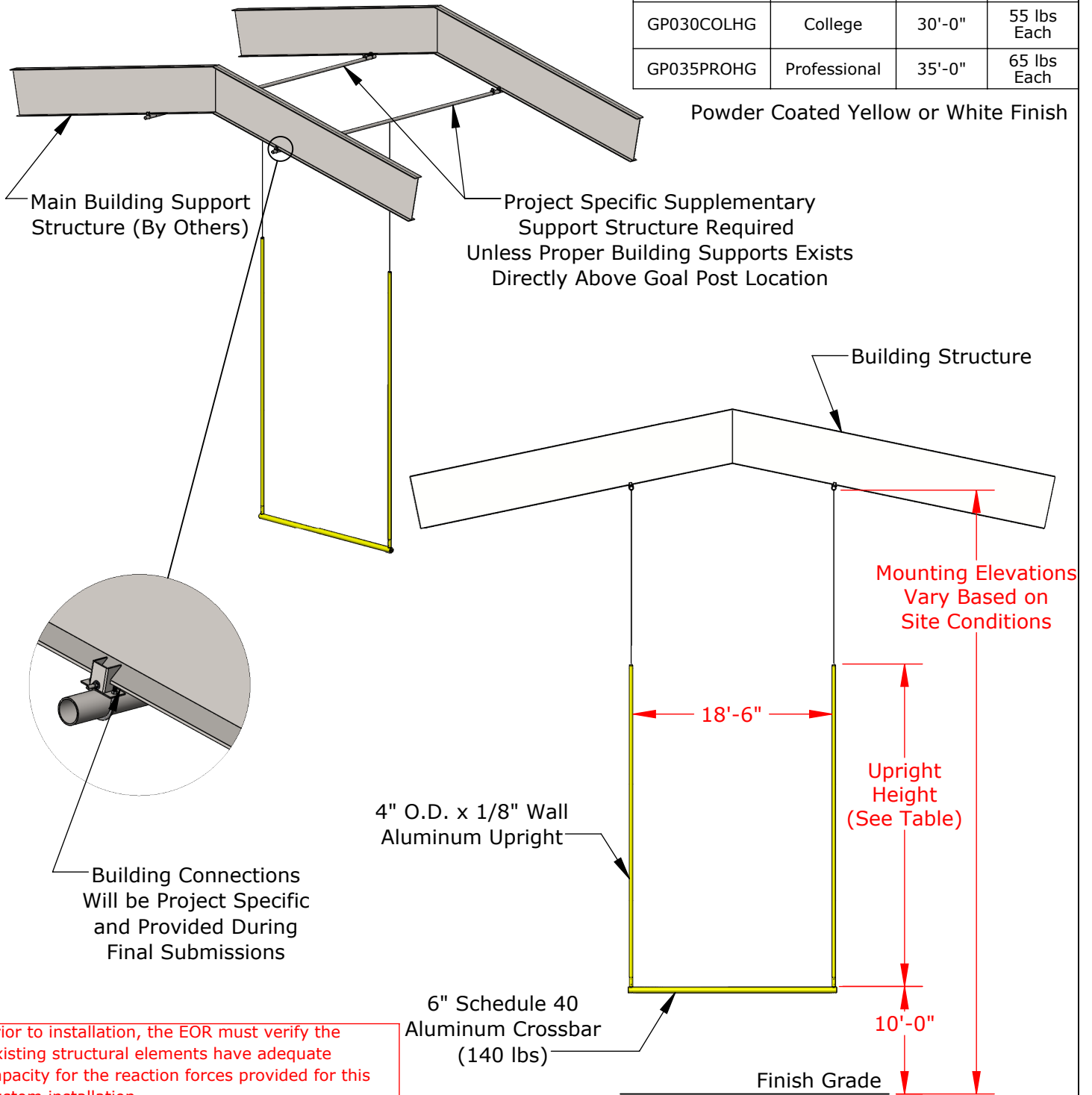
GPH30HS
H-Style High School Football Goal Post

Not To Scale

Sportsfield Specialties Inc 105579.1-221209

Part #	Model	Upright Height	Upright Weight
GP030COLHG	College	30'-0"	55 lbs Each
GP035PROHG	Professional	35'-0"	65 lbs Each

Powder Coated Yellow or White Finish



Prior to installation, the EOR must verify the existing structural elements have adequate capacity for the reaction forces provided for this custom installation.

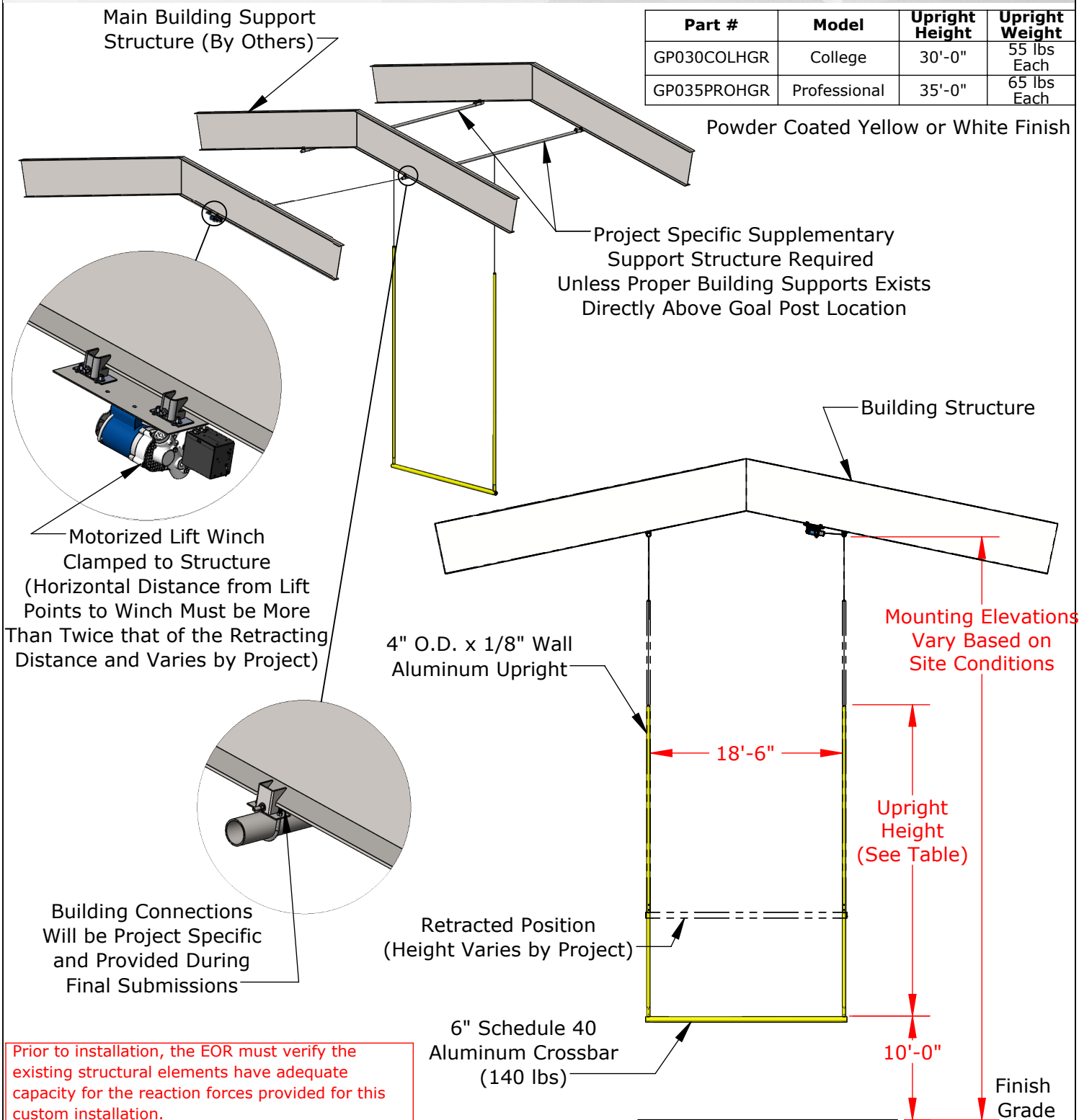
PROPRIETARY AND CONFIDENTIAL

THE INFORMATION CONTAINED IN THIS DRAWING IS THE SOLE PROPERTY OF SPORTSFIELD SPECIALTIES INC. ANY REPRODUCTION IN PART OR AS A WHOLE WITHOUT THE WRITTEN PERMISSION OF SPORTSFIELD SPECIALTIES INC. IS PROHIBITED.

Hanging Football Goal Post

Not To Scale

Sportsfield Specialties Inc 06242020



Prior to installation, the EOR must verify the existing structural elements have adequate capacity for the reaction forces provided for this custom installation.

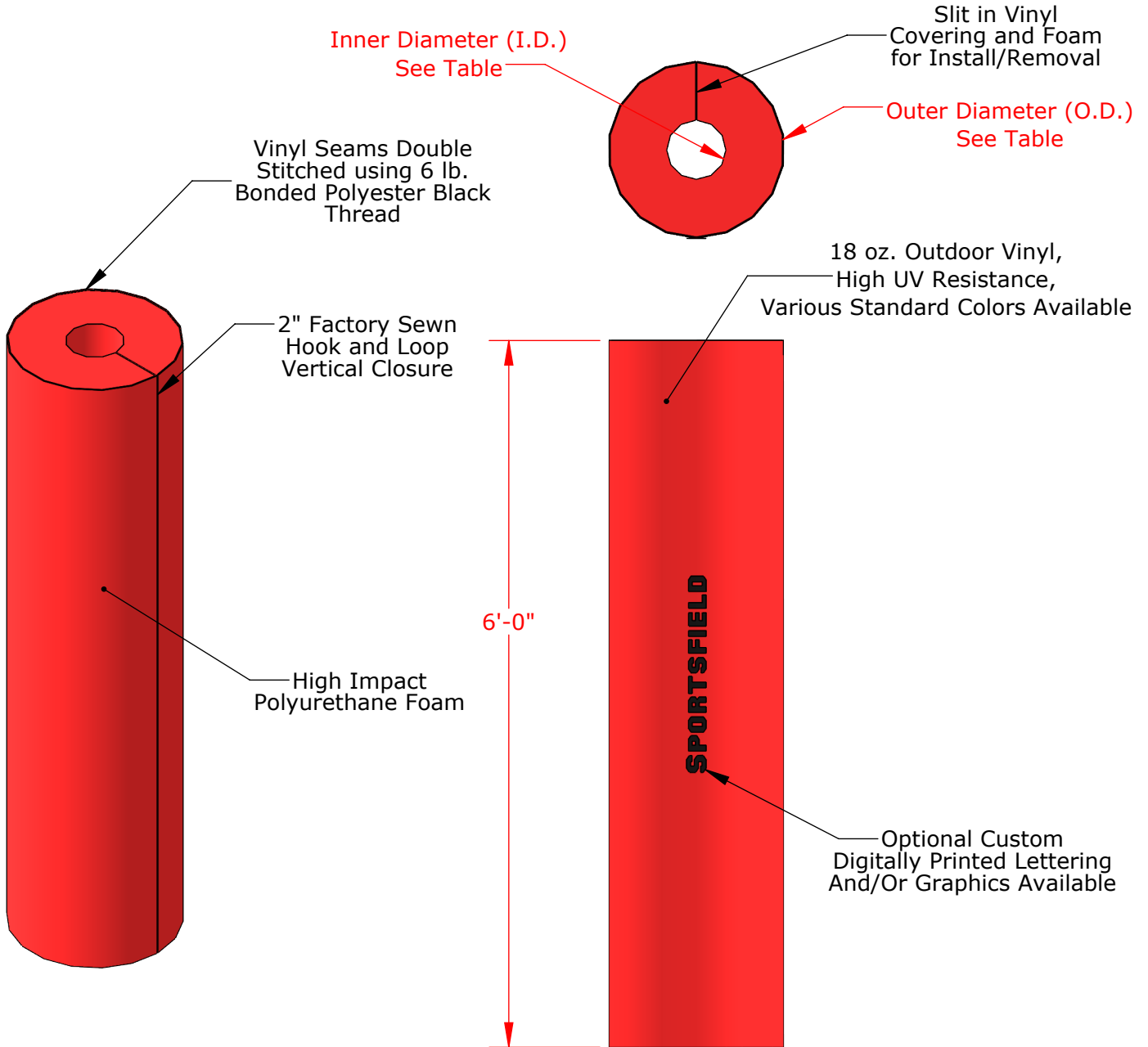
PROPRIETARY AND CONFIDENTIAL

THE INFORMATION CONTAINED IN THIS DRAWING IS THE SOLE PROPERTY OF SPORTSFIELD SPECIALTIES INC. ANY REPRODUCTION IN PART OR AS A WHOLE WITHOUT THE WRITTEN PERMISSION OF SPORTSFIELD SPECIALTIES INC. IS PROHIBITED.

Hanging Retractable Football Goal Post

Not To Scale

Sportsfield Specialties Inc 06242020



Part #	Description	I.D.	O.D.
GPPR	Football Goal Post Pad	7"	18"
GPPRDG	Football Goal Post Pad with Digital Graphics	7"	18"
RGPPR	Rugby Goal Post Pad	4.5"	15.5"
RGPPRDG	Rugby Goal Post Pad with Digital Graphics	4.5"	15.5"

PROPRIETARY AND CONFIDENTIAL

THE INFORMATION CONTAINED IN THIS DRAWING IS THE SOLE PROPERTY OF SPORTSFIELD SPECIALTIES INC. ANY REPRODUCTION IN PART OR AS A WHOLE WITHOUT THE WRITTEN PERMISSION OF SPORTSFIELD SPECIALTIES INC. IS PROHIBITED.

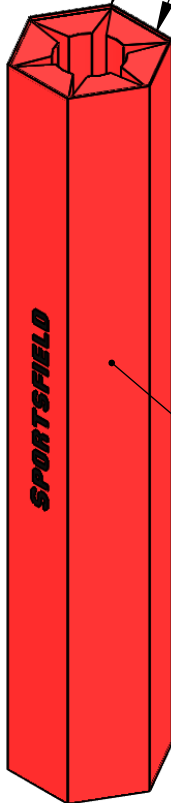
Round Goal Post Pad

Not To Scale

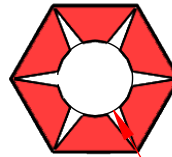
Sportsfield Specialties Inc 06092020

2" Factory Sewn
Hook and Loop
Vertical Closure

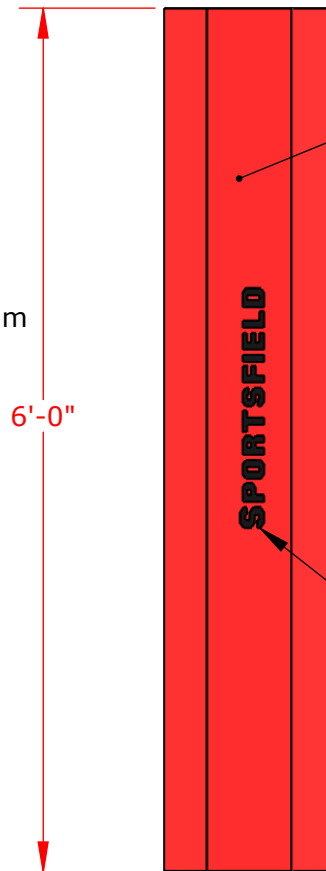
Vinyl Seams Double
Stitched using 6 lb.
Bonded Polyester Black
Thread



3" High Impact
Polyurethane Foam



Pole Diameter
(See Table)



18 oz. Outdoor Vinyl,
High UV Resistance,
Various Standard Colors Available

Optional Custom
Digitally Printed Lettering
And/Or Graphics Available

6'-0"

Part #	Description	Pole Diameter
GPPH	Football Goal Post Pad	7"
GPPHDG	Football Goal Post Pad with Digital Graphics	7"
RGPPH	Rugby Goal Post Pad	4.5"
RGPPHDG	Rugby Goal Post Pad with Digital Graphics	4.5"

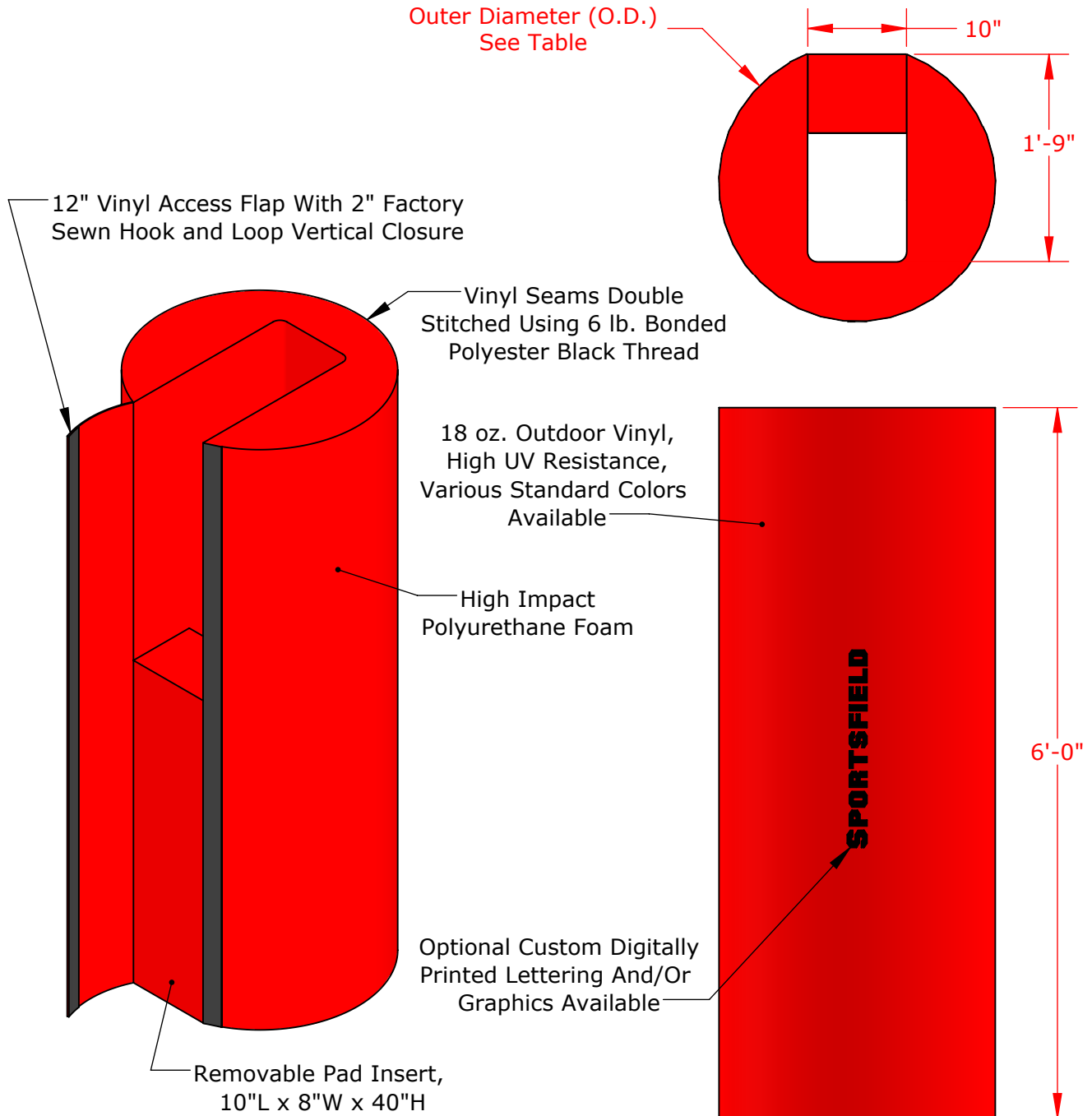
PROPRIETARY AND CONFIDENTIAL

THE INFORMATION CONTAINED IN THIS DRAWING IS THE SOLE PROPERTY OF SPORTSFIELD SPECIALTIES INC. ANY REPRODUCTION IN PART OR AS A WHOLE WITHOUT THE WRITTEN PERMISSION OF SPORTSFIELD SPECIALTIES INC. IS PROHIBITED.

Hexagonal Goal Post Pad

Not To Scale

Sportsfield Specialties Inc 06092020



Part #	Description	O.D.
GPPRGH	Gooseneck Hinged Round Goal Post Pad	28"
GPPRGHDG	Gooseneck Hinged Round Goal Post Pad with Digital Graphics	28"

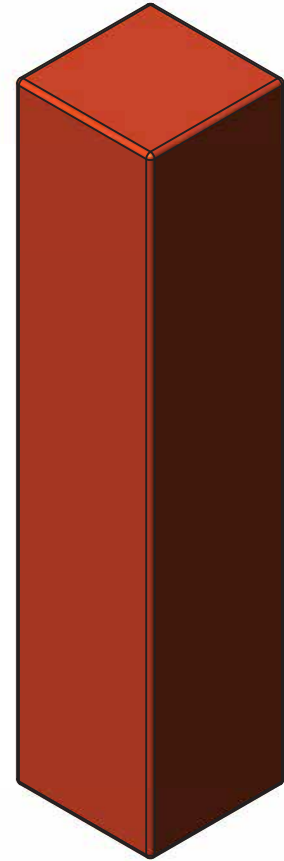
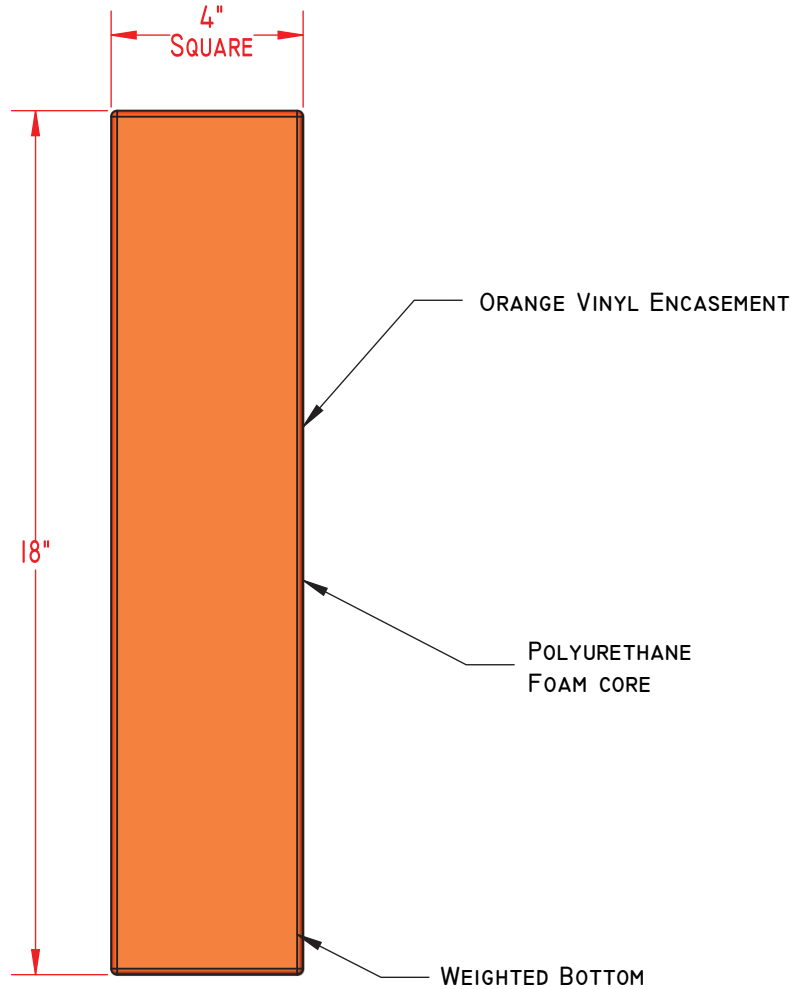
PROPRIETARY AND CONFIDENTIAL

THE INFORMATION CONTAINED IN THIS DRAWING IS THE SOLE PROPERTY OF SPORTSFIELD SPECIALTIES INC. ANY REPRODUCTION IN PART OR AS A WHOLE WITHOUT THE WRITTEN PERMISSION OF SPORTSFIELD SPECIALTIES INC. IS PROHIBITED.

Gooseneck Hinged Round Goal Post Pad

Not To Scale

Sportsfield Specialties Inc 03172021



STANDARD PART NUMBERS:

FEZP4 (GPEZP4) - WEIGHTED END ZONE PYLONS 4" x 4" x 18", SET OF (4)

FEZP8 (GPEZP8) - WEIGHTED END ZONE PYLONS 4" x 4" x 18", SET OF (8)

FEZPI2 (GPEZPI2) - WEIGHTED END ZONE PYLONS 4" x 4" x 18", SET OF (12)

PROPRIETARY AND CONFIDENTIAL
THE INFORMATION CONTAINED IN THIS
DRAWING IS THE SOLE PROPERTY OF
SPORTSFIELD SPECIALTIES INC. ANY
REPRODUCTION IN PART OR AS A WHOLE
WITHOUT THE WRITTEN PERMISSION OF
SPORTSFIELD SPECIALTIES INC. IS
PROHIBITED.

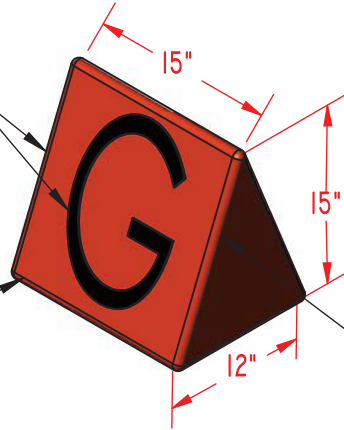
**FEZP (GPEZP)
WEIGHTED END ZONE PYLONS**

NOT TO SCALE

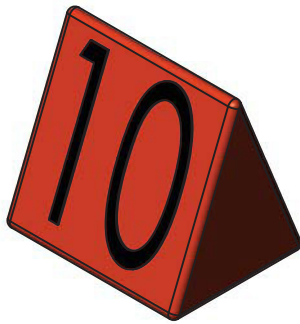
SPORTSFIELD SPECIALTIES INC 08152014

ORANGE VINYL ENCASEMENT WITH
BLACK DIGITALLY PRINTED DIGITS

WEIGHTED BOTTOM



POLYURETHANE
FOAM CORE



STANDARD PART NUMBERS:

FSYM11 (SYM11) - WEIGHTED SIDELINE YARDAGE MARKERS, SET OF (11)

FSYM22 (SYM22) - WEIGHTED SIDELINE YARDAGE MARKERS, SET OF (22)

CUSTOM SIDELINE YARDAGE MARKERS AVAILABLE

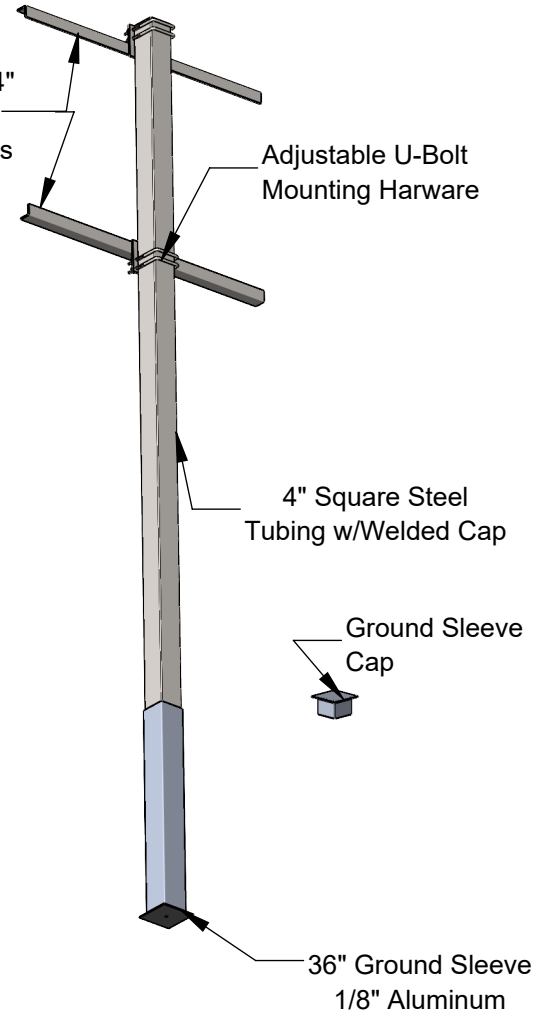
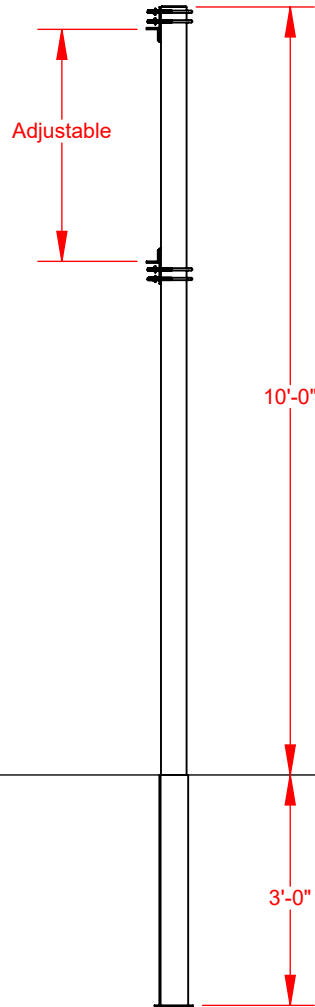
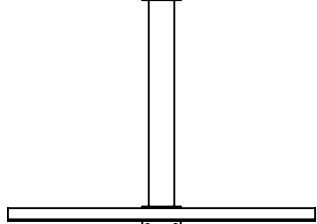
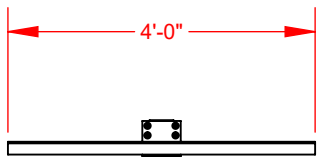
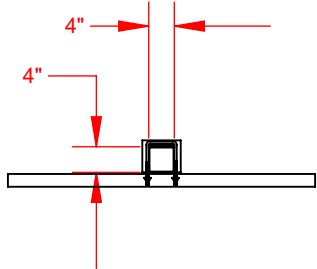
PROPRIETARY AND CONFIDENTIAL

THE INFORMATION CONTAINED IN THIS DRAWING IS THE SOLE PROPERTY OF SPORTSFIELD SPECIALTIES INC. ANY REPRODUCTION IN PART OR AS A WHOLE WITHOUT THE WRITTEN PERMISSION OF SPORTSFIELD SPECIALTIES INC. IS PROHIBITED.

WEIGHTED SIDELINE YARDAGE MARKERS

NOT TO SCALE

SPORTSFIELD SPECIALTIES INC 08182014



Finish Grade

PROPRIETARY AND CONFIDENTIAL

THE INFORMATION CONTAINED IN THIS DRAWING IS THE SOLE PROPERTY OF SPORTSFIELD SPECIALTIES INC. ANY REPRODUCTION IN PART OR AS A WHOLE WITHOUT THE WRITTEN PERMISSION OF SPORTSFIELD SPECIALTIES INC. IS PROHIBITED.

GPDOGCMS Football Delay of Game Clock Mounting System

Not To Scale

Sportsfield Specialties Inc 105573.1-221209