

SPORTSFIELD SPECIALTIES

www.sportsfield.com | 888-975-3343

*Excellence from
Design to Installation*



Soccer Goals & Accessories



Sportsfield Specialties, Inc. 41155 State Hwy 10. Delhi, NY 13753



Excellence from Design to Installation



Skiddable Base



Regulation Soccer Goals

Product Overview

- 8'x24' TIG welded, portable aluminum construction
- Integrated aluminum net clips guaranteed for the life of the goal
- Optional wheel kits and skiddable base available for transport
- Super durable white powder coated finish
- Premium 5mm braided knotless soccer goal net
- Round or square post models offered
- 5-year manufacturer's warranty

Item Number	Product Description
SG824R	Regulation soccer goal, round faced - 8'H x 24'L
SG824RS	Regulation soccer goal, round faced with skids - 8'H x 24'L
SG824S	Regulation soccer goal, square post - 8'H x 24'L
SG824RE	Regulation European soccer goal, round post - 8'H x 24'L

International Soccer Goals

Product Overview

- Round post international goal design for elite soccer programs
- Removable ground sleeve design or NEW portable model available
- Includes regulation net with hexagonal mesh and three tie-back net support posts
- TIG welded aluminum construction with super durable powder coated finish
- Integrated aluminum net clips guaranteed for life of the life of the goal
- 5-year manufacturer's warranty
- Removable Model: Includes hinged ground bar for ease of maintenance
- Portable Model: Features unique worm gear design to easily raise and lower the net; includes four (4) large solid rubber swiveling wheels for ease of transport



Item Number	Product Description
SG824RINT	International soccer goal, semi-permanent - 8'H x 24'L
SG824RINTPT	International soccer goal, portable - 8'H x 24'L



Youth Size Soccer Goals

Product Overview

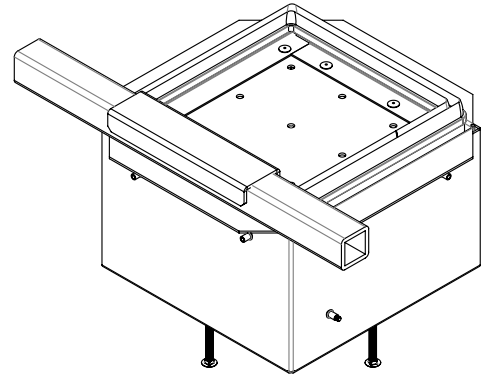
- Complete range of youth size goals from 4' x 6' to 7' x 21'
- High strength, TIG welded aluminum construction
- White super durable powder coated finish
- Integrated aluminum net clips guaranteed for life of the goal
- Includes white 3mm braided, knotless soccer net
- Optional wheel kits and skiddable base available for applicable models

Item Number	Product Description
SG46	Youth soccer goal, round faced - 4'H x 6'L
SG612	Youth soccer goal, square post - 6'6"H x 12'L
SG618R	Youth soccer goal, round faced - 6'6"H x 18'6"L
SG618RS	Youth soccer goal, round faced with skiddable base - 6'6"H x 18'6"L
SG618S	Youth soccer goal, square post - 6'6"H x 18'6"L
SG618RINT	Youth soccer goal, round faced, semi-permanent international - 6'6"H x 18'6"L
SG721R	Youth soccer goal, round faced - 7'H x 21'L
SG721RS	Youth soccer goal, round faced with skiddable base - 7'H x 21'L
SG721S	Youth soccer goal, square post - 7'H x 21'L

SG2S® Lockdown Safety System

Product Overview

- Patented design secures the rear ground bar and eliminates risk of tip-over
- Pivoting clamp mechanism conveniently stores inside box when not in use
- Exclusively compatible with Sportsfield soccer goals
- Designed for synthetic infill turf or natural grass applications
- Synthetic turf models include exclusive infill retainage gasket and perimeter turf attachment ledge
- Aluminum construction with integral drainage stub
- Note: Synthetic turf models require turf to be applied by others; natural grass models include preinstalled synthetic turf with thatch layer
- U.S. Patents: #7,331,880; #7,527,569; and #8,777,784



Item Number	Product Description
SG2S	SG2S® lockdown safety system for synthetic turf
SG2SNG	SG2S® lockdown safety system for natural grass
SG2SCC	SG2S® cable clamp safety system for synthetic turf
SG2SNGCC	SG2S® cable clamp safety system for natural grass



SGMobile® Integrated Mobility Kit

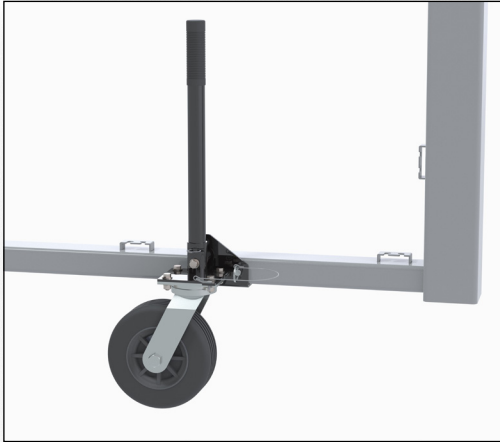
Product Overview

- Industry exclusive integrated design retracts when not in use
- Simple spring pin operation to raise and lower wheel unit
- Allows for safe and convenient goal transport with two (2) adults



Item Number	Product Description
SGMKR	SGMobile® mobility kit for round faced soccer goals
SGMKS	SGMobile® mobility kit for square faced soccer goals

NEW! Mobility Innovation



Levered Soccer Goal Wheel Kits

Product Overview

- Conveniently raise and lower with removable levered handle
- 360 degree swivel wheels maneuver effortlessly in any direction
- Large 8" hard rubber tires compatible with all surface conditions
- 9" ground clearance to accommodate uneven terrain and curbs
- Levered pivot and lock mechanism eliminates manual lifting
- Removable handle can be stored to prevent unauthorized use
- Designed exclusively for use with Sportsfield soccer goal models

Item Number	Product Description
SGWKL	Levered soccer goal wheel kit, standard end frames
SGWKL4	Levered soccer goal wheel kit, 4" round end frames
SGWKL5	Levered soccer goal wheel kit, skiddable end frames





Futsal Goals

Product Overview

- Designed for indoor, small-sided 5 vs. 5 soccer play
- High strength, TIG welded aluminum construction
- White super durable powder coated finish
- Integrated aluminum net clips guaranteed for the life of the goal
- Includes white 3mm twisted, knotted polyethylene net

Item Number	Product Description
FG610R	Futsal goal, round faced - 6'7"H x 9'10"L
FG610S	Futsal goal, square post - 6'7"H x 9'10"L
FG610RINT	Futsal goal, international round faced - 6'7"H x 9'10"L



Corner Flags

Product Overview

- Set of four (4) soccer corner flags
- Red nylon flags with white cloth edges

Premier weighted model:

- 63"H x 1" O.D. high impact, white PVC upright
- Includes black 12" diameter high density weighted rubber base
- Ideal for synthetic turf field applications

International semi-permanent model:

- 60"H x 1.5" O.D. high impact, white PVC upright
- Includes steel spring and plastic ground sleeve with cap
- Ideal for natural grass field applications

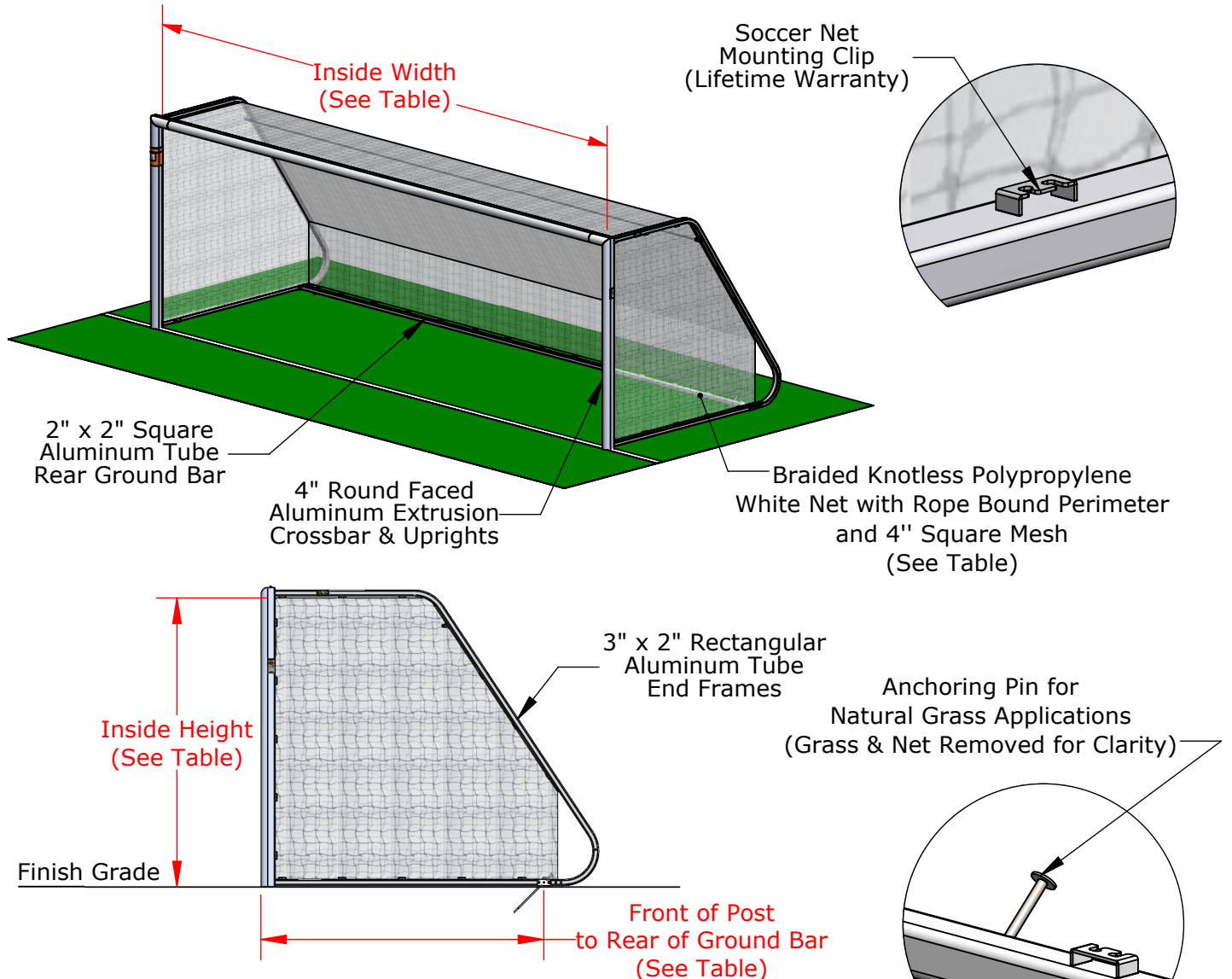
Item Number	Product Description
SG6B1404	Soccer corner flags with weighted rubber base. Set of 4 - 63"H x 1"OD
SG6B701	International soccer corner flags with steel spring base and ground sleeve. Set of 4 - 60"H x 1.5"OD

United States Patent #7,331,880, Issued February 19, 2008
 United States Patent #7,527,569, Issued May 5, 2009
 United States Patent #8,777,784, Issued July 15, 2014

Optional Equipment:
 SGMKR - SGMobile® Integrated Soccer Goal Wheel Kit
 SGWKL - Levered Soccer Goal External Wheel Kit
 SG2S® - Soccer Goal Safety System

Meets and exceeds ASTM F2950-14
 Standard Safety and Performance
 Specification for Soccer Goals and ASTM
 F1938-98 Standard Guide for Safer Use of
 Movable Soccer Goals

Standard White Powder Coated Finish



Part No.	Size	Inside Height	Inside Width	Front of Post to Rear of Ground Bar	Net Twine Diameter
SG824R	Regulation	8'-0"	24'-0"	8'-0" or 8'-4"	5 mm
SG721R	Youth	7'-0"	21'-0"	7'-0"	3 mm
SG618R	Youth	6'-6"	18'-6"	7'-0"	3 mm

PROPRIETARY AND CONFIDENTIAL

THE INFORMATION CONTAINED IN THIS DRAWING IS THE SOLE PROPERTY OF SPORTSFIELD SPECIALTIES INC. ANY REPRODUCTION IN PART OR AS A WHOLE WITHOUT THE WRITTEN PERMISSION OF SPORTSFIELD SPECIALTIES INC. IS PROHIBITED.

Round Faced Soccer Goal

Not To Scale

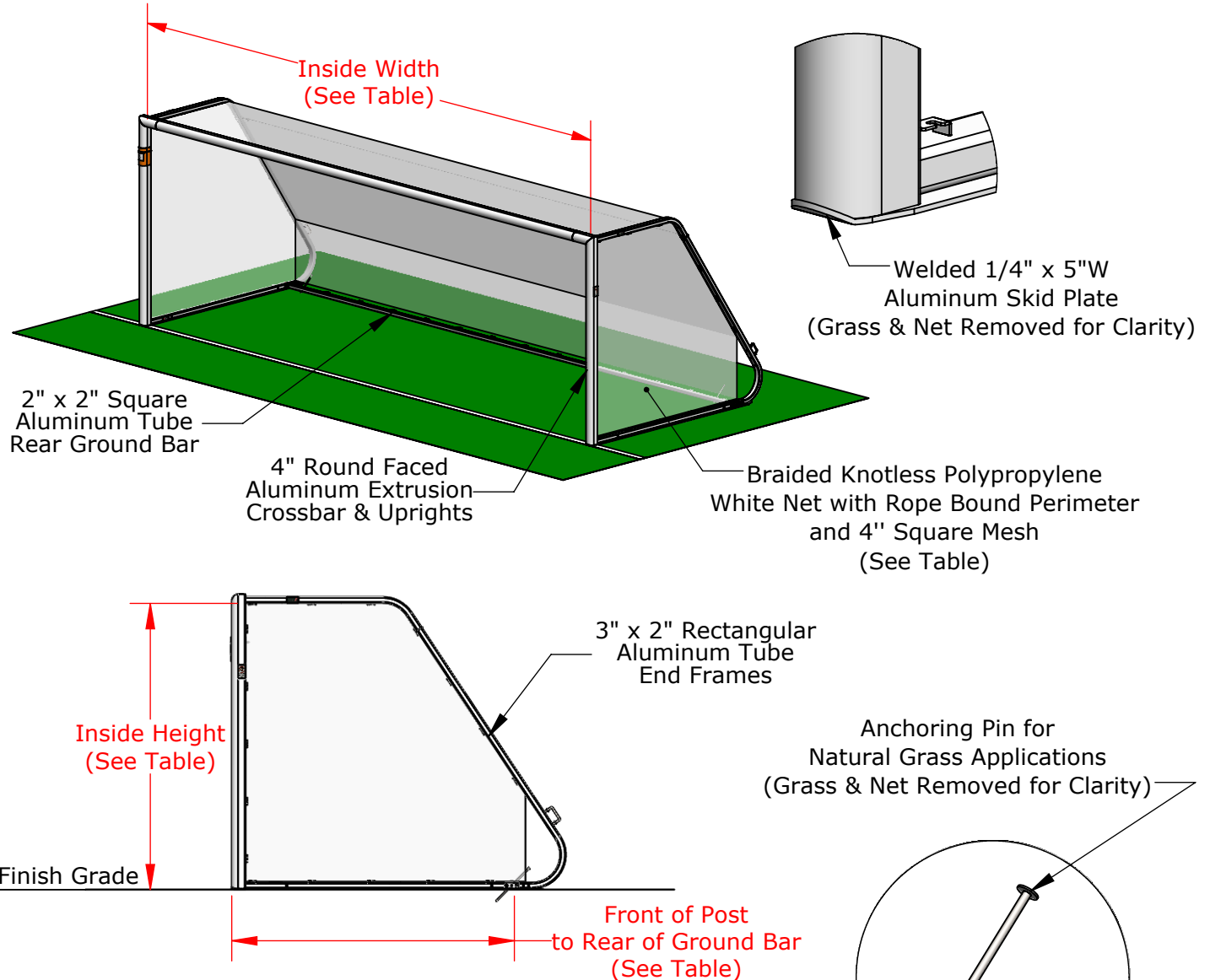
Sportsfield Specialties Inc 12172020

United States Patent #7,331,880, Issued February 19, 2008
 United States Patent #7,527,569, Issued May 5, 2009
 United States Patent #8,777,784, Issued July 15, 2014

Optional Equipment:
 SGWKL5 - Levered Soccer Goal with Skids External Wheel Kit
 SG2S® - Soccer Goal Safety System

Meets and exceeds ASTM F2950-14 Standard Safety and Performance Specification for Soccer Goals and ASTM F1938-98 Standard Guide for Safer Use of Movable Soccer Goals

Standard White Powder Coated Finish



Part No.	Size	Inside Height	Inside Width	Front of Post to Rear of Ground Bar	Net Twine Diameter
SG824RS	Regulation	8'-0"	24'-0"	8'-0" or 8'-4"	5 mm
SG721RS	Youth	7'-0"	21'-0"	7'-0"	3 mm
SG618RS	Youth	6'-6"	18'-6"	7'-0"	3 mm

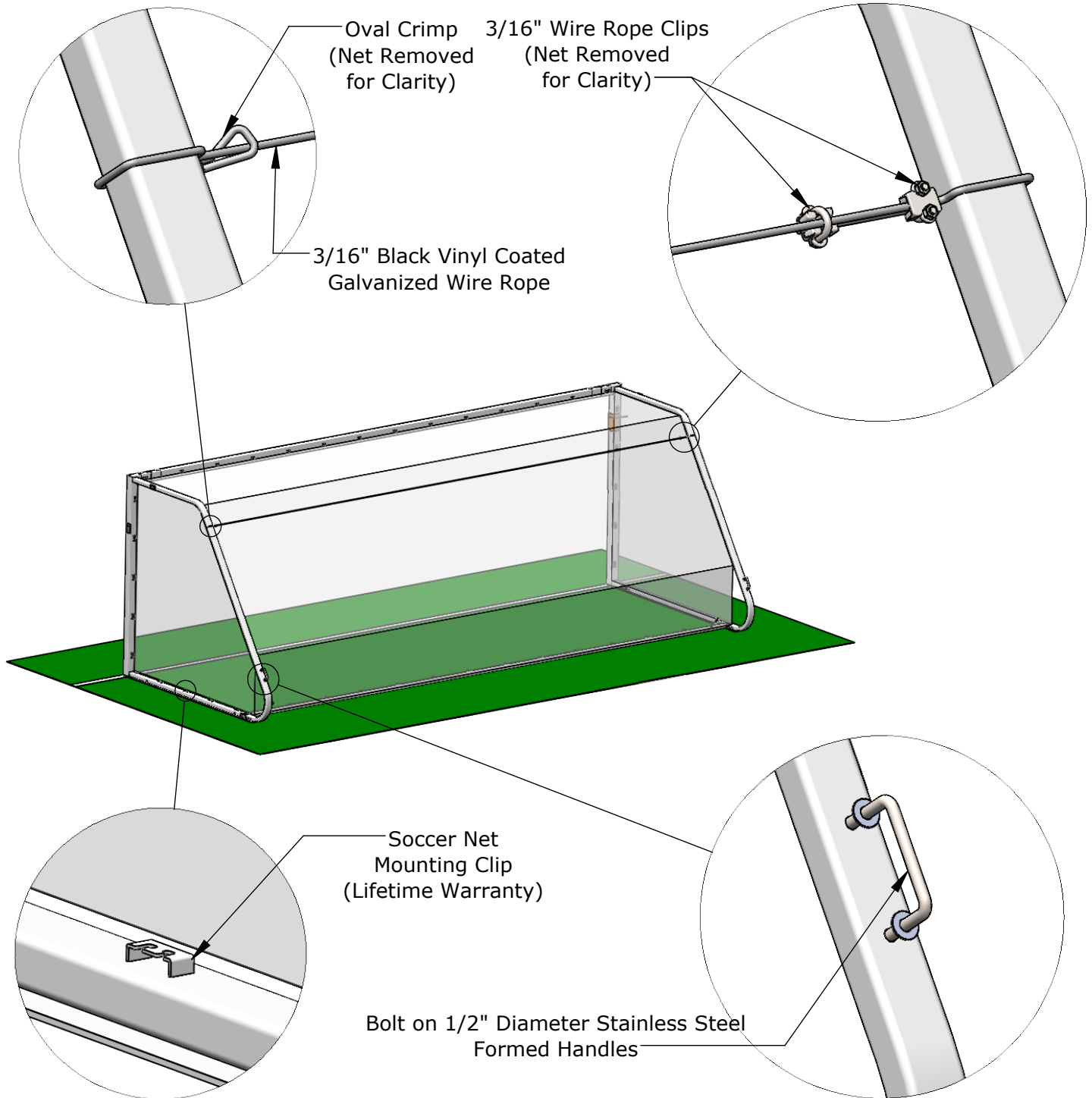
PROPRIETARY AND CONFIDENTIAL

THE INFORMATION CONTAINED IN THIS DRAWING IS THE SOLE PROPERTY OF SPORTSFIELD SPECIALTIES INC. ANY REPRODUCTION IN PART OR AS A WHOLE WITHOUT THE WRITTEN PERMISSION OF SPORTSFIELD SPECIALTIES INC. IS PROHIBITED.

Round Faced Soccer Goal with Skids

Not To Scale

Sportsfield Specialties Inc 104501.1-221020



PROPRIETARY AND CONFIDENTIAL

THE INFORMATION CONTAINED IN THIS DRAWING IS THE SOLE PROPERTY OF SPORTSFIELD SPECIALTIES INC. ANY REPRODUCTION IN PART OR AS A WHOLE WITHOUT THE WRITTEN PERMISSION OF SPORTSFIELD SPECIALTIES INC. IS PROHIBITED.

Round Faced Soccer Goal with Skids

Not To Scale

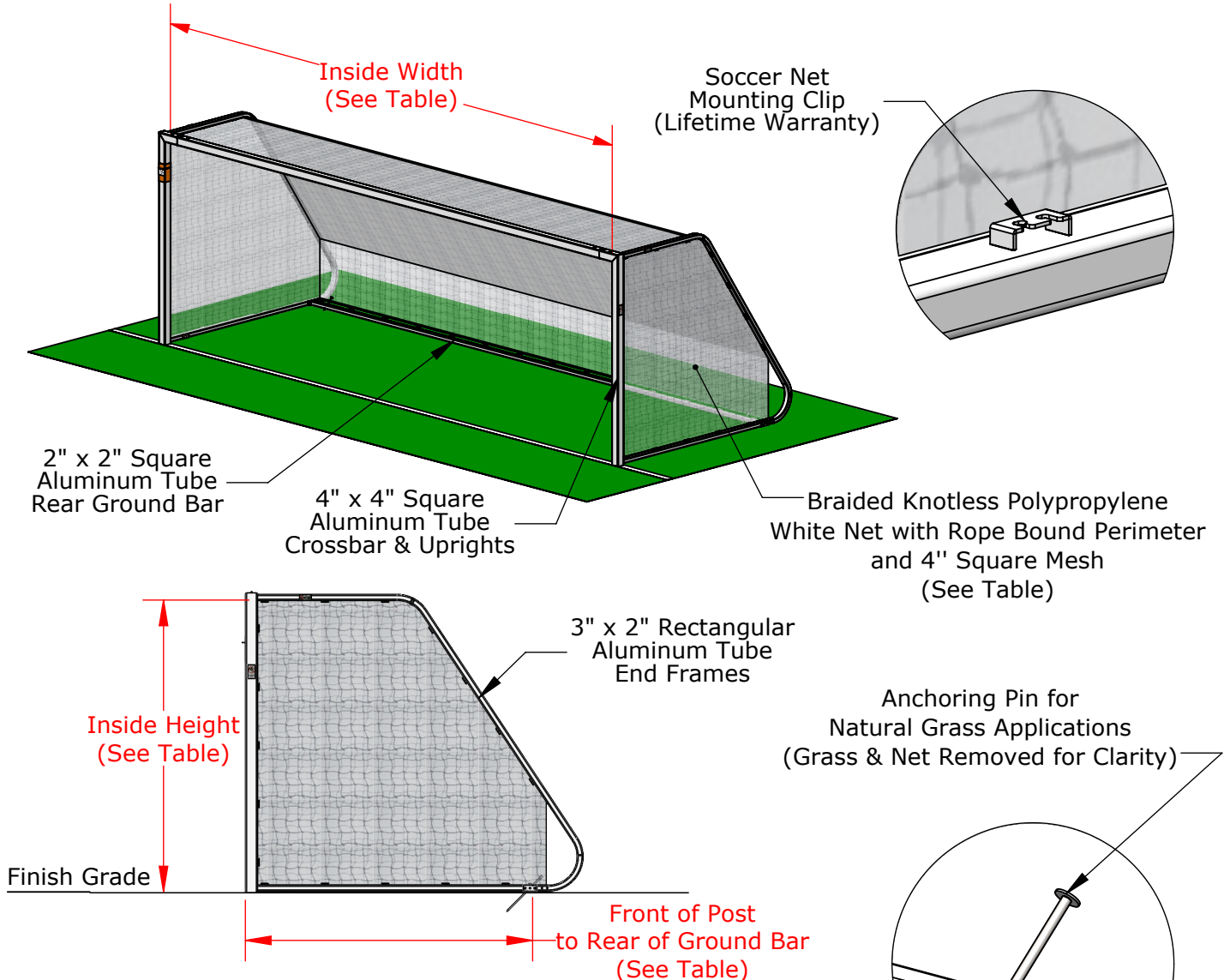
Sportsfield Specialties Inc 104501.1-221020

United States Patent #7,331,880, Issued February 19, 2008
 United States Patent #7,527,569, Issued May 5, 2009
 United States Patent #8,777,784, Issued July 15, 2014

Optional Equipment:
 SGMKR - SGMobile® Integrated Soccer Goal Wheel Kit
 SGWKL - Levered Soccer Goal External Wheel Kit
 SG2S® - Soccer Goal Safety System

Meets and exceeds ASTM F2950-14
 Standard Safety and Performance
 Specification for Soccer Goals and ASTM
 F1938-98 Standard Guide for Safer Use of
 Movable Soccer Goals

Standard White Powder Coated Finish



Part No.	Size	Inside Height	Inside Width	Front of Post to Rear of Ground Bar	Net Twine Diameter
SG824S	Regulation	8'-0"	24'-0"	8'-0" or 8'-4"	5 mm
SG721S	Youth	7'-0"	21'-0"	7'-0"	3 mm
SG618S	Youth	6'-6"	18'-6"	7'-0"	3 mm

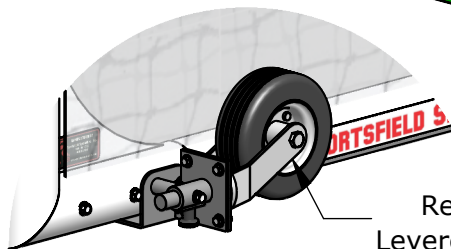
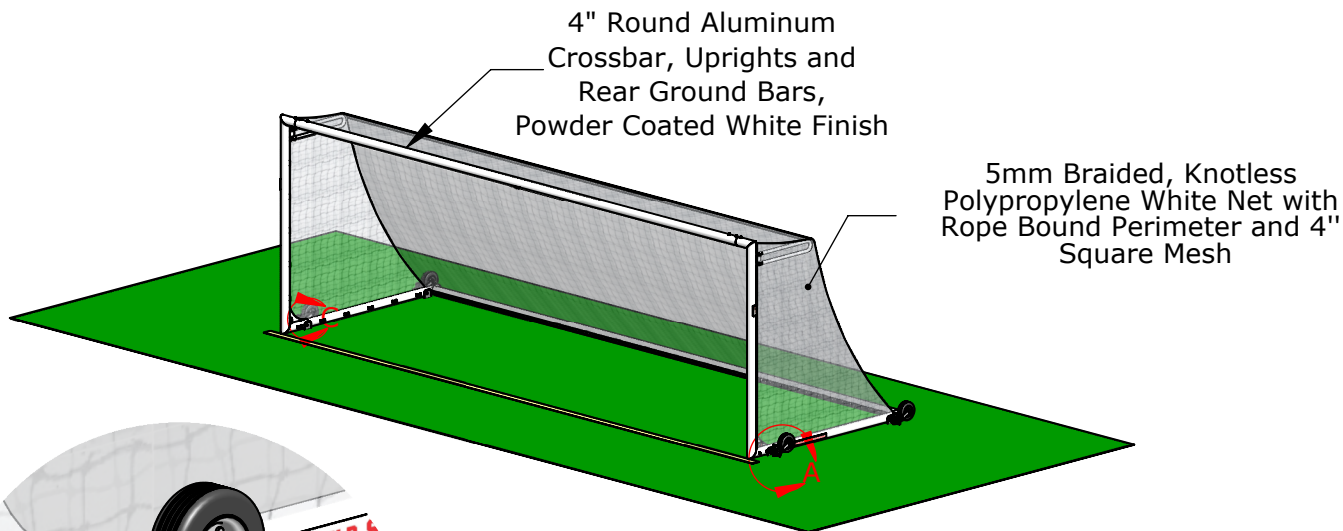
PROPRIETARY AND CONFIDENTIAL

THE INFORMATION CONTAINED IN THIS DRAWING IS THE SOLE PROPERTY OF SPORTSFIELD SPECIALTIES INC. ANY REPRODUCTION IN PART OR AS A WHOLE WITHOUT THE WRITTEN PERMISSION OF SPORTSFIELD SPECIALTIES INC. IS PROHIBITED.

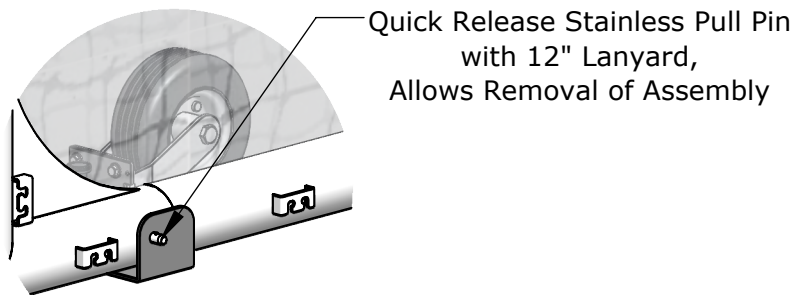
Square Post Soccer Goal

Not To Scale

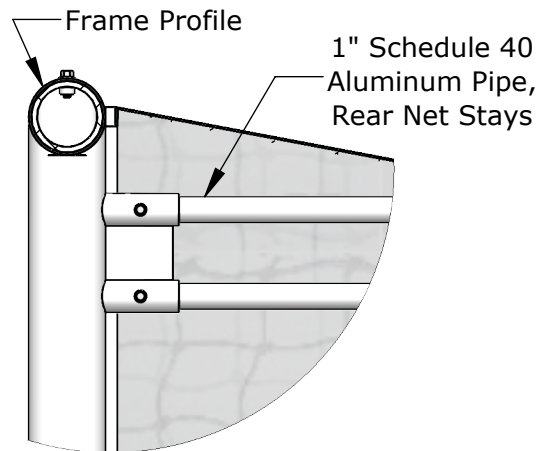
Sportsfield Specialties Inc 12172020



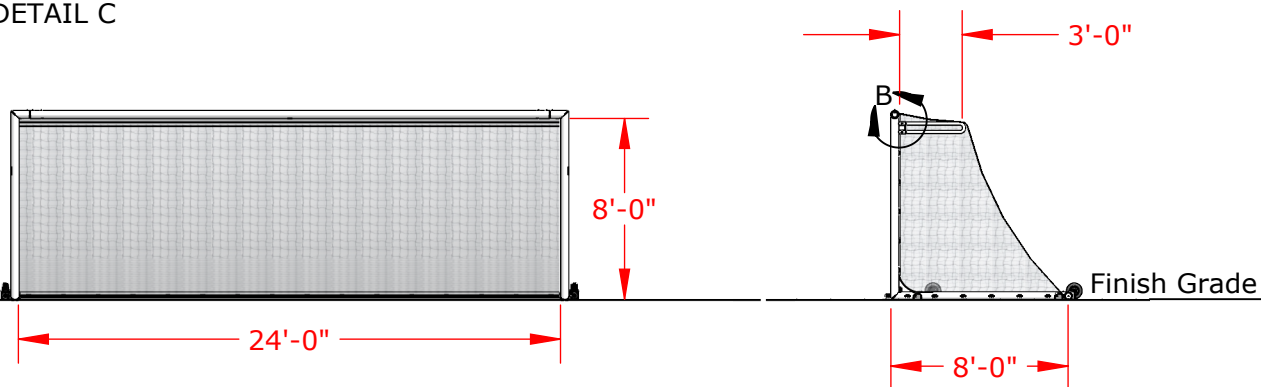
DETAIL A



DETAIL C



DETAIL B



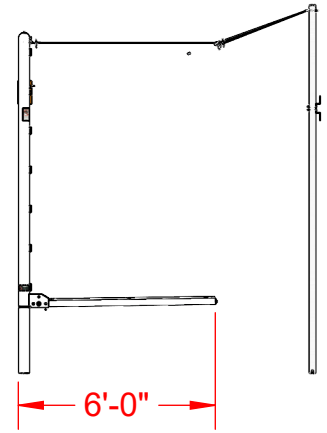
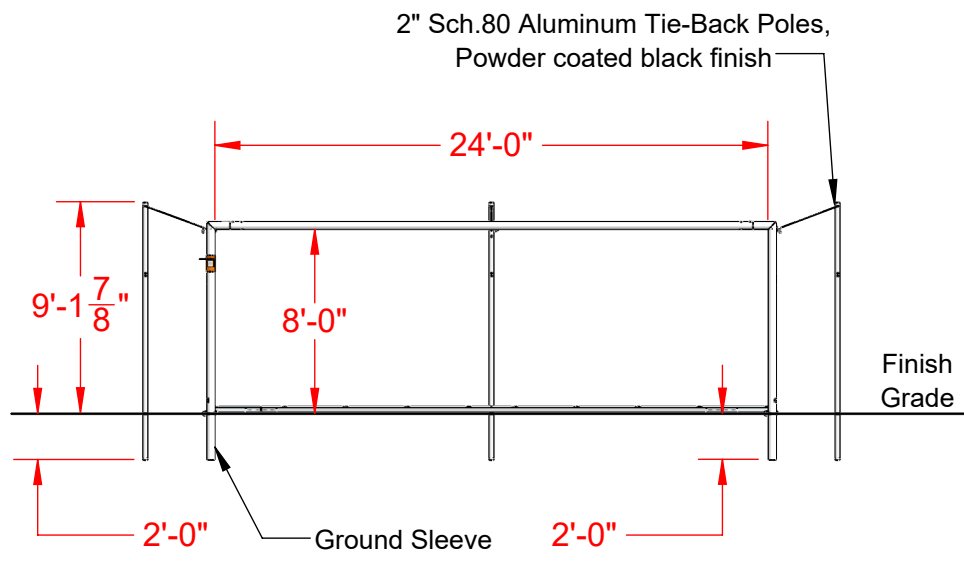
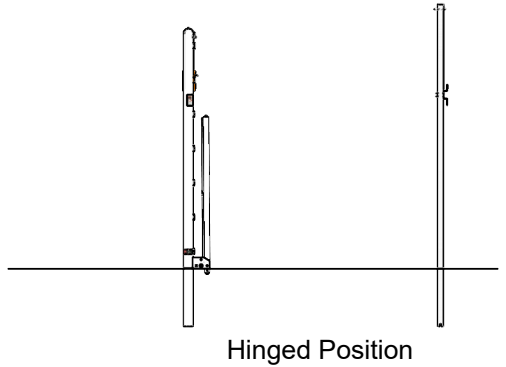
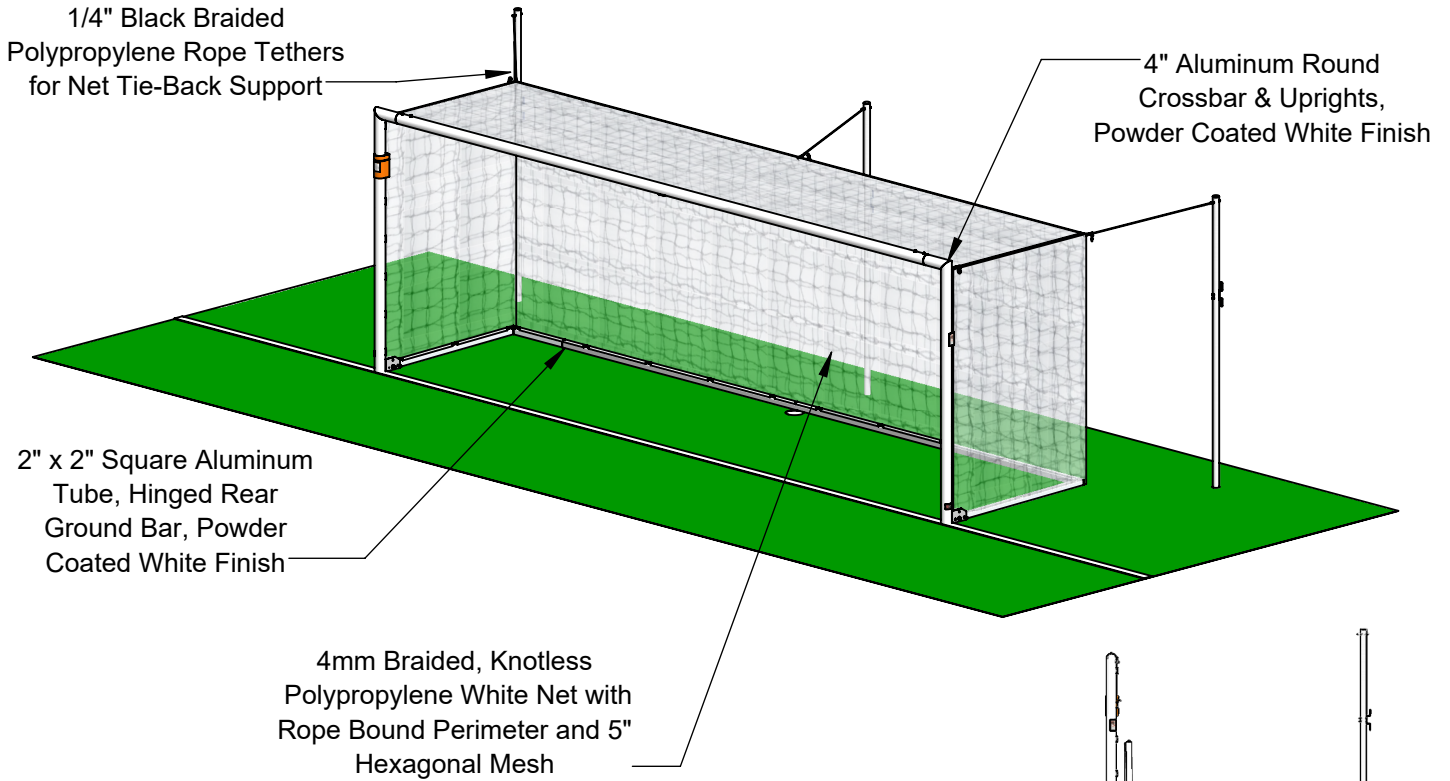
PROPRIETARY AND CONFIDENTIAL

THE INFORMATION CONTAINED IN THIS DRAWING IS THE SOLE PROPERTY OF SPORTSFIELD SPECIALTIES INC. ANY REPRODUCTION IN PART OR AS A WHOLE WITHOUT THE WRITTEN PERMISSION OF SPORTSFIELD SPECIALTIES INC. IS PROHIBITED.

SG824RE 8' X 24' Regulation Size Portable European Round Post Soccer Goal

Not To Scale

Sportsfield Specialties Inc 03232021



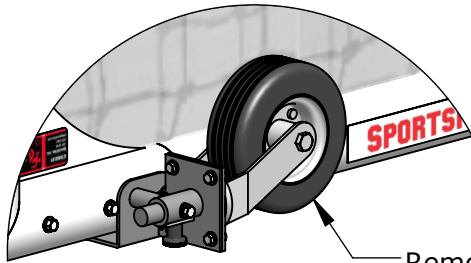
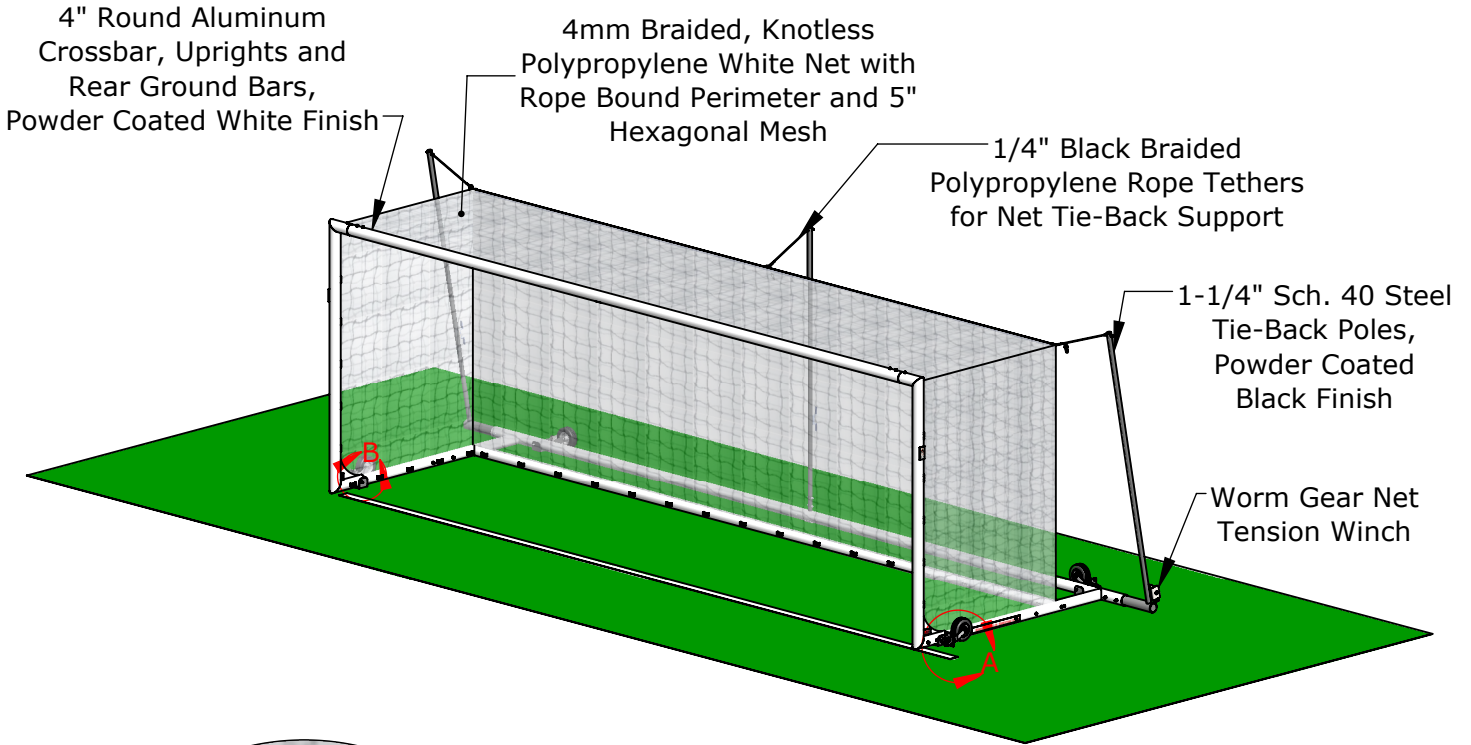
PROPRIETARY AND CONFIDENTIAL

THE INFORMATION CONTAINED IN THIS DRAWING IS THE SOLE PROPERTY OF SPORTSFIELD SPECIALTIES INC. ANY REPRODUCTION IN PART OR AS A WHOLE WITHOUT THE WRITTEN PERMISSION OF SPORTSFIELD SPECIALTIES INC. IS PROHIBITED.

SG824RINT 8' x 24' Regulation Size Semi-Permanent International Round Post Soccer Goal

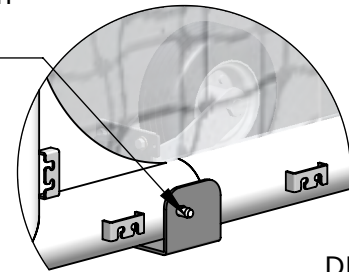
Not To Scale

Sportsfield Specialties Inc 105558.1-221209

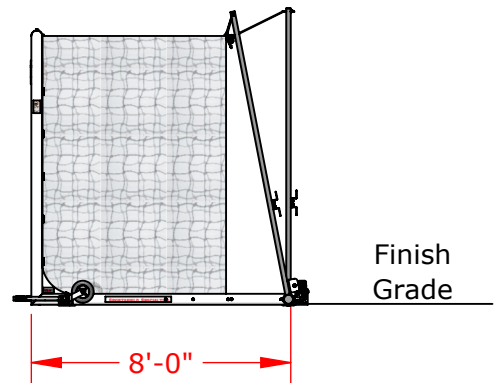
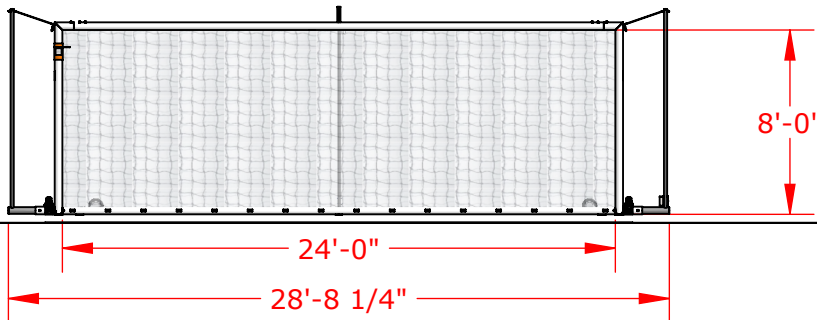


DETAIL A Removable SGWKL4 Levered External Wheel Kit

Quick Release Stainless Pull Pin with 12" Lanyard, Allows Removal of Assembly



DETAIL B



PROPRIETARY AND CONFIDENTIAL

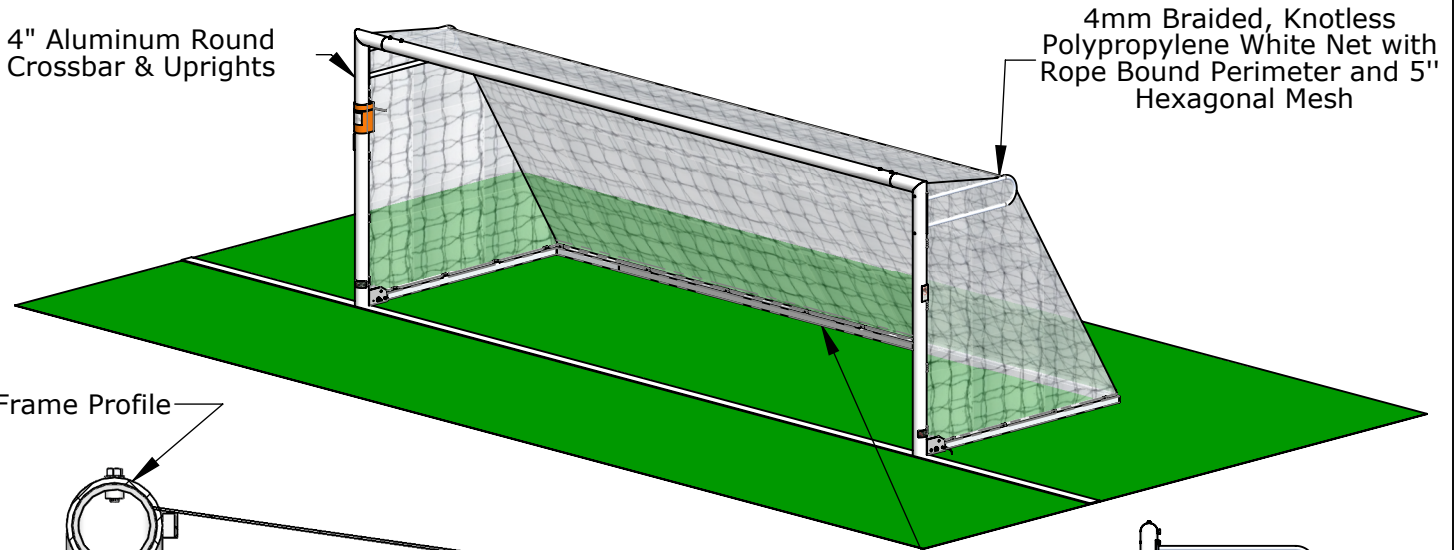
THE INFORMATION CONTAINED IN THIS DRAWING IS THE SOLE PROPERTY OF SPORTSFIELD SPECIALTIES INC. ANY REPRODUCTION IN PART OR AS A WHOLE WITHOUT THE WRITTEN PERMISSION OF SPORTSFIELD SPECIALTIES INC. IS PROHIBITED.

SG824RINTPT 8' X 24' Regulation Size Portable International Round Post Soccer Goal

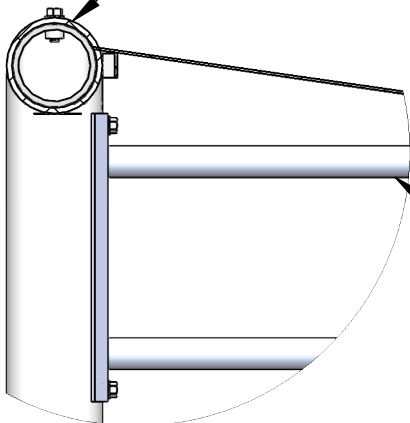
Not To Scale

Sportsfield Specialties Inc 03232021

Standard White Powdered Coated Finish

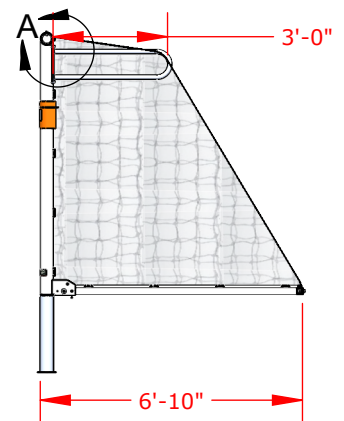
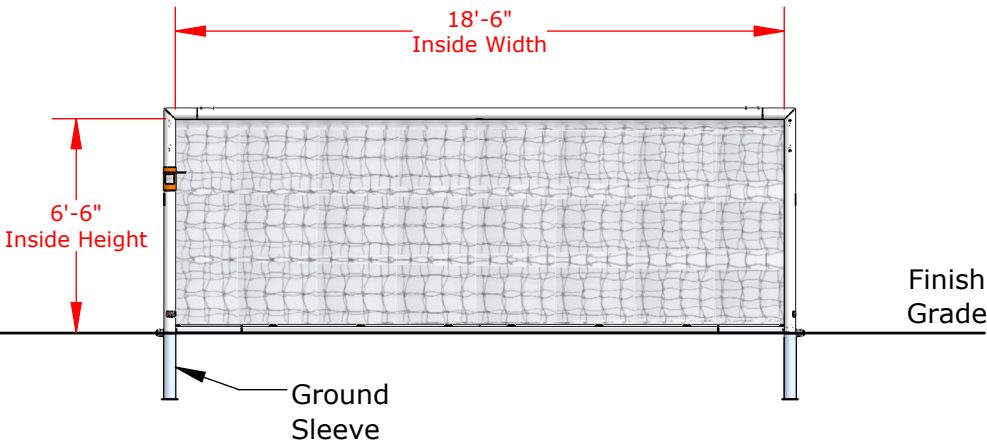
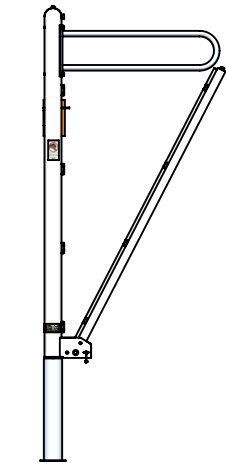


Frame Profile



1-1/2" x 1-1/2" Square Aluminum Tube, Hinged Rear Ground Bar

1" Sch. 40 Removable Aluminum Pipe, Rear Net Stays



PROPRIETARY AND CONFIDENTIAL

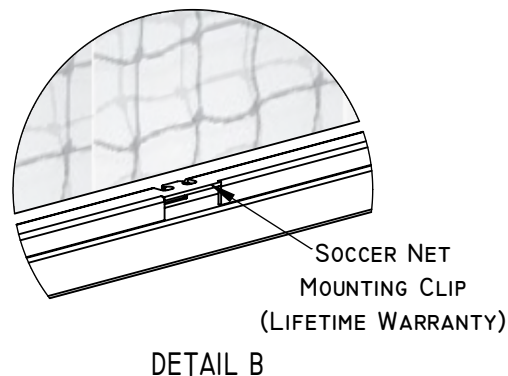
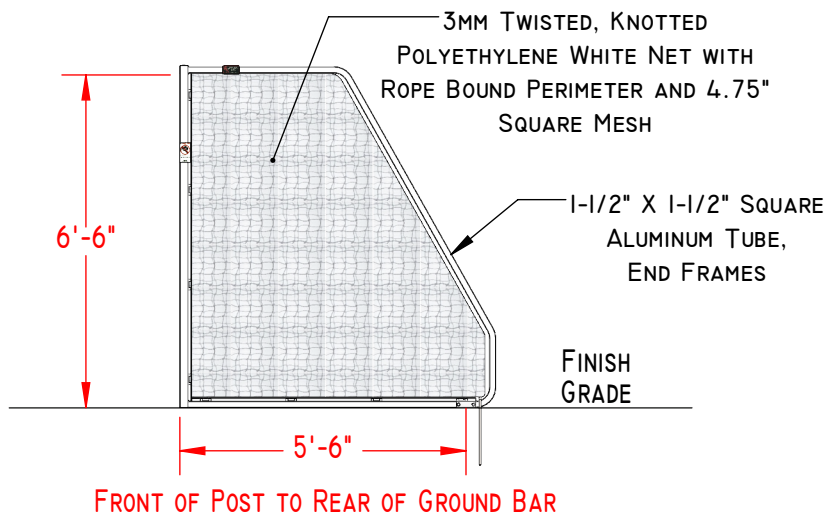
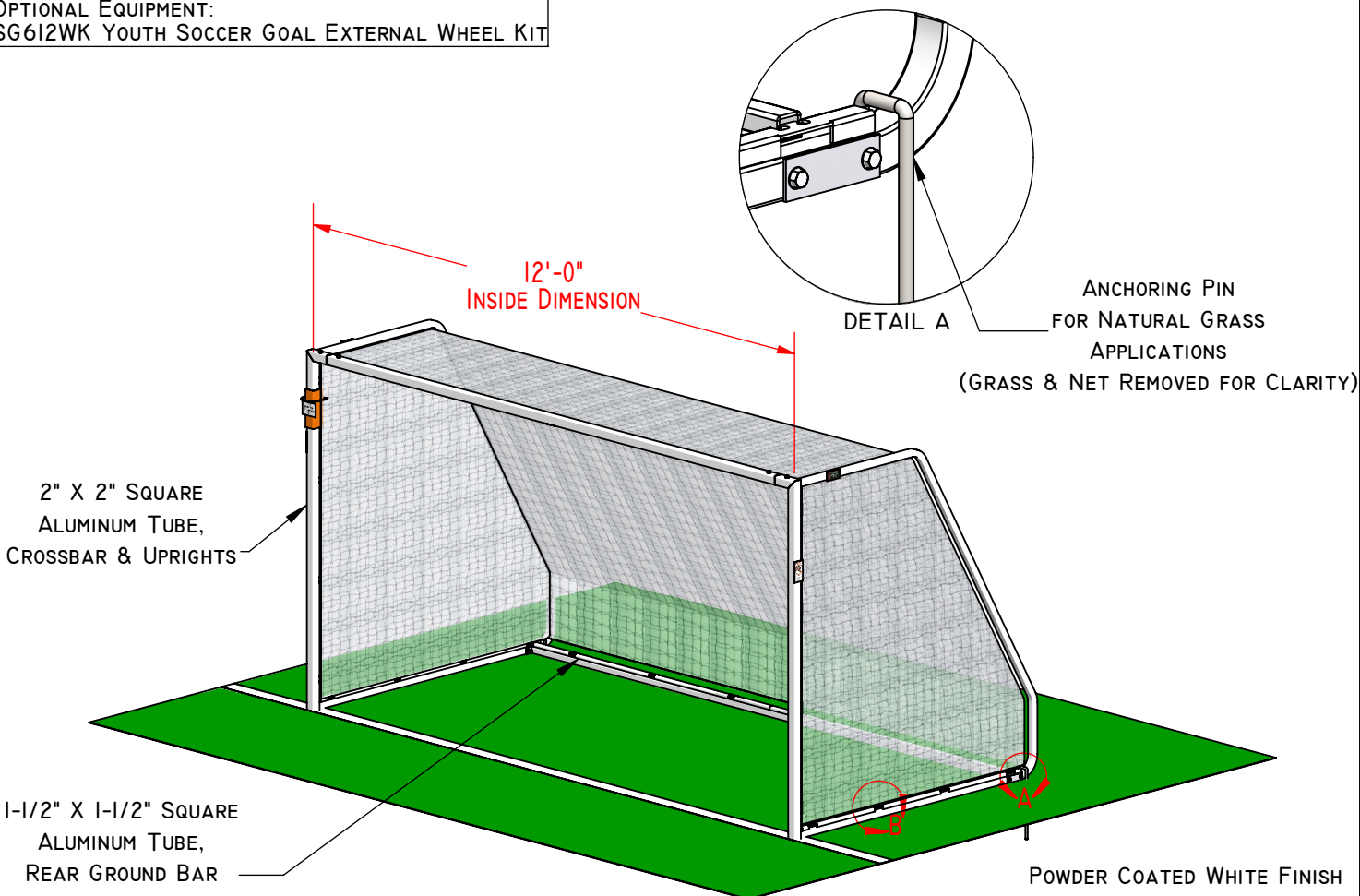
THE INFORMATION CONTAINED IN THIS DRAWING IS THE SOLE PROPERTY OF SPORTSFIELD SPECIALTIES INC. ANY REPRODUCTION IN PART OR AS A WHOLE WITHOUT THE WRITTEN PERMISSION OF SPORTSFIELD SPECIALTIES INC. IS PROHIBITED.

SG618RINT 6' x 18' Youth Size Semi-Permanent International Round Post Soccer Goal

Not To Scale

Sportsfield Specialties Inc 104206.2-221209

OPTIONAL EQUIPMENT:
SG612WK YOUTH SOCCER GOAL EXTERNAL WHEEL KIT

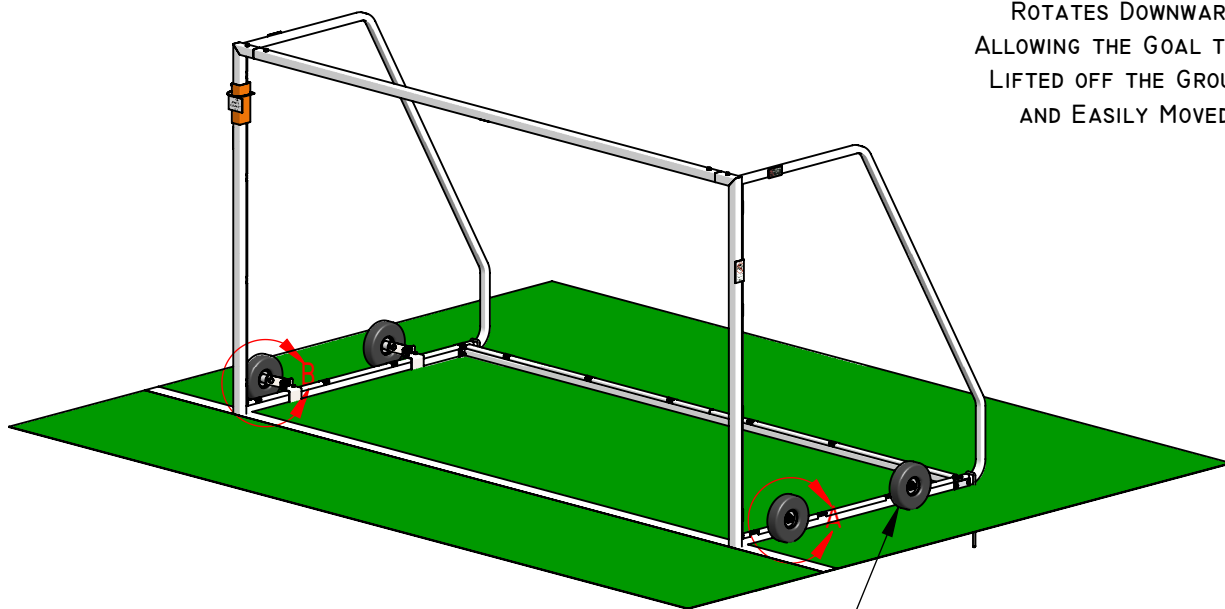
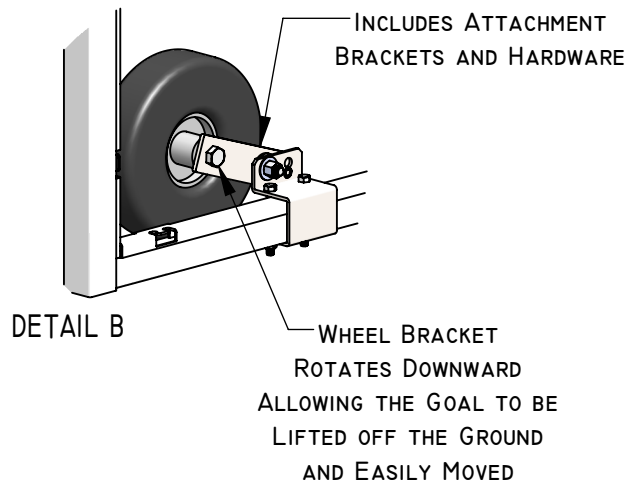
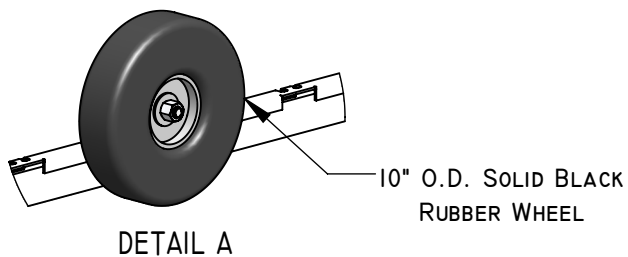


PROPRIETARY AND CONFIDENTIAL
THE INFORMATION CONTAINED IN THIS DRAWING IS THE SOLE PROPERTY OF SPORTSFIELD SPECIALTIES INC. ANY REPRODUCTION IN PART OR AS A WHOLE WITHOUT THE WRITTEN PERMISSION OF SPORTSFIELD SPECIALTIES INC. IS PROHIBITED.

SG612 6'6" x 12' YOUTH SIZE SQUARE POST SOCCER GOAL

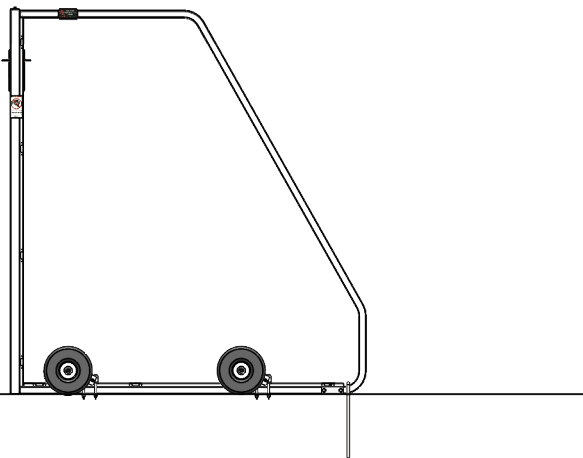
NOT TO SCALE

SPORTSFIELD SPECIALTIES INC 08202018



WHEEL KIT CAN BE INSTALLED WITH SOCCER NET ATTACHED TO GOAL (NET REMOVED FOR CLARITY)

FINISH GRADE



PROPRIETARY AND CONFIDENTIAL
 THE INFORMATION CONTAINED IN THIS DRAWING IS THE SOLE PROPERTY OF SPORTSFIELD SPECIALTIES INC. ANY REPRODUCTION IN PART OR AS A WHOLE WITHOUT THE WRITTEN PERMISSION OF SPORTSFIELD SPECIALTIES INC. IS PROHIBITED.

SG6I2WK YOUTH SOCCER GOAL EXTERNAL WHEEL KIT

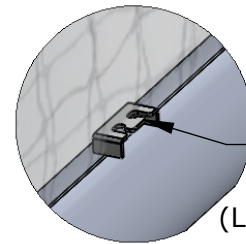
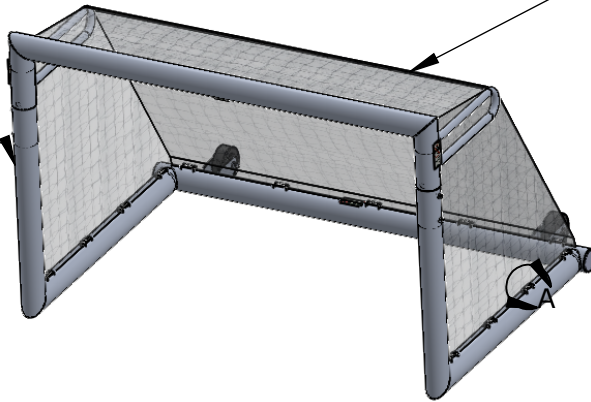
NOT TO SCALE

SPORTSFIELD SPECIALTIES INC 08202018

Standard White Powdered Coated Finish

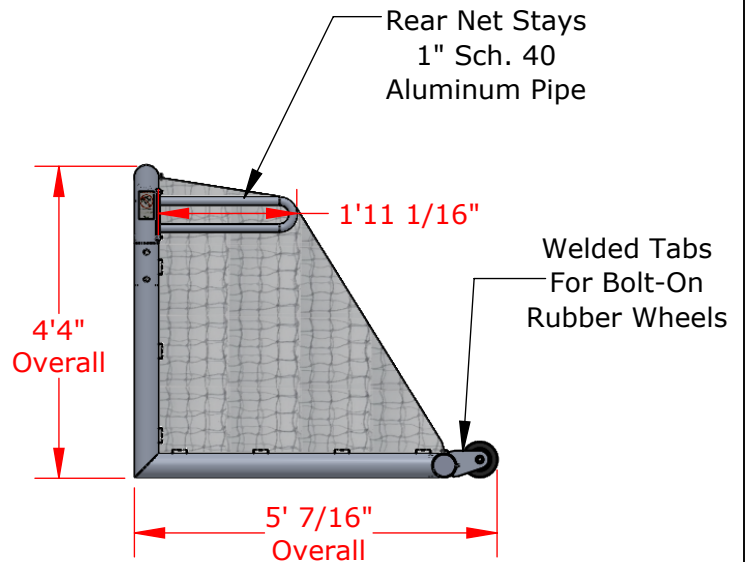
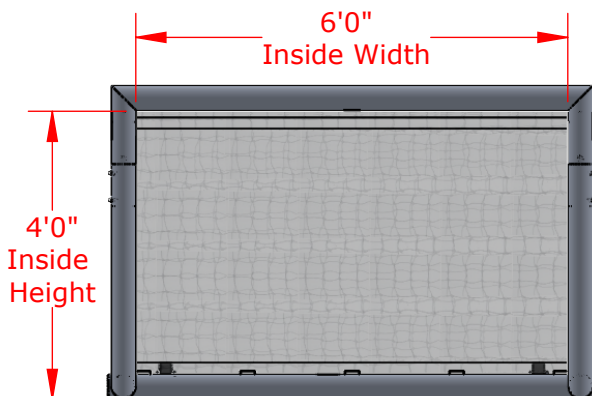
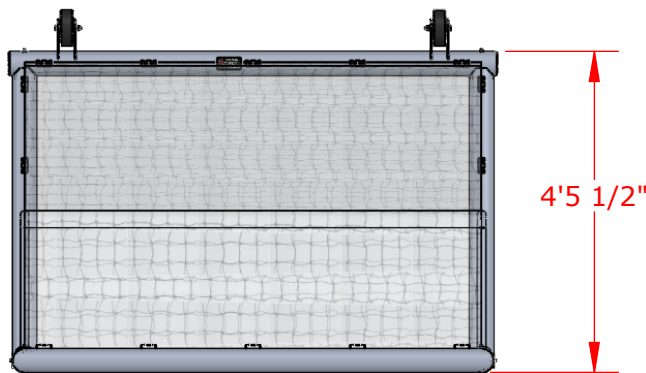
3mm Braided, Knotless High Tenacity Polypropylene (HTPP) White Net with Rope Bound Perimeter and 3.5" Square Mesh

4" Diameter Round Aluminum Frame



Soccer Net Mounting Clip (Lifetime Warranty)

DETAIL A
 SCALE 1 : 6



PROPRIETARY AND CONFIDENTIAL

THE INFORMATION CONTAINED IN THIS DRAWING IS THE SOLE PROPERTY OF SPORTSFIELD SPECIALTIES INC. ANY REPRODUCTION IN PART OR AS A WHOLE WITHOUT THE WRITTEN PERMISSION OF SPORTSFIELD SPECIALTIES INC. IS PROHIBITED.

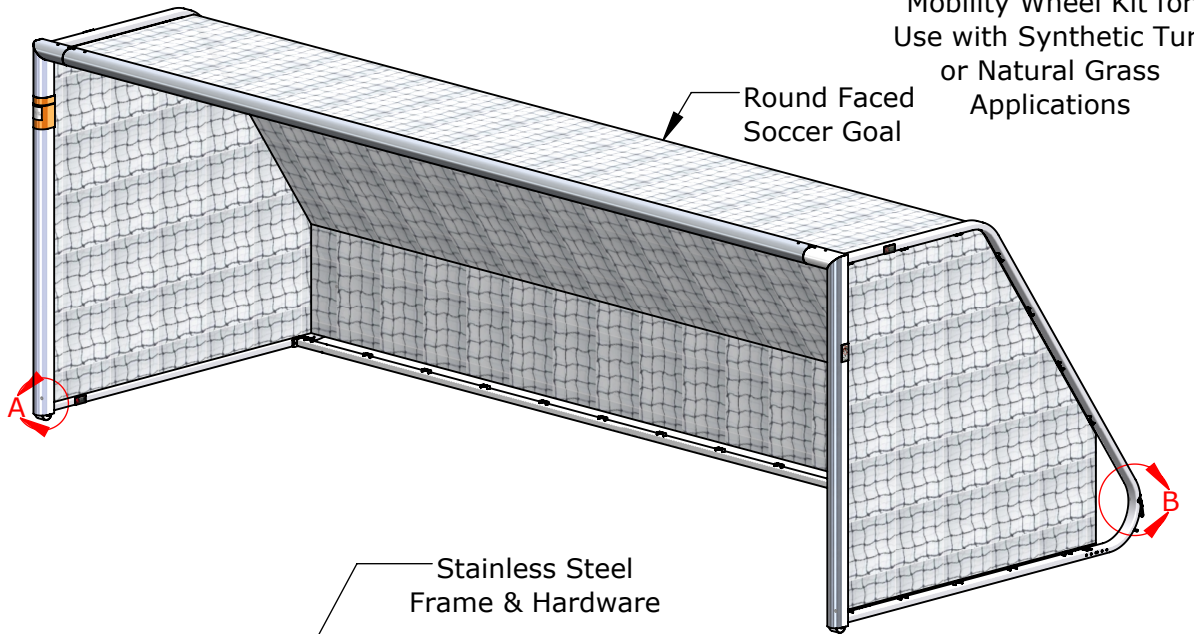
SG46 4'x6' Youth Size Round Soccer Goal

Not To Scale

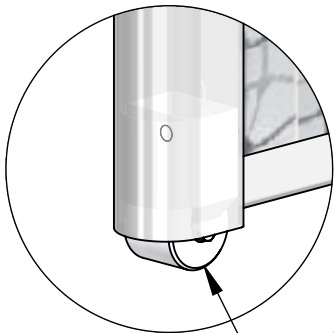
Sportsfield Specialties Inc 104204.1-221128

FOR USE WITH:
 SG824R
 SG721R
 SG618R

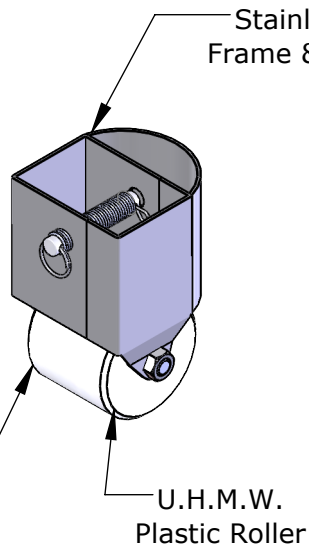
Mobility Wheel Kit for
 Use with Synthetic Turf
 or Natural Grass
 Applications



Round Faced
 Soccer Goal

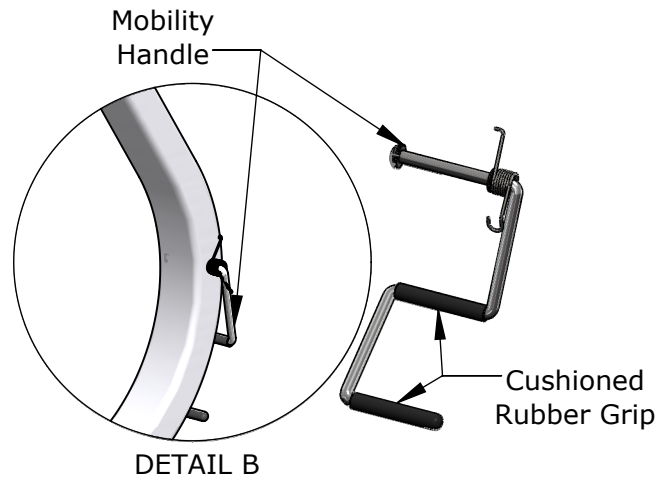


DETAIL A
 Mobility
 Wheel



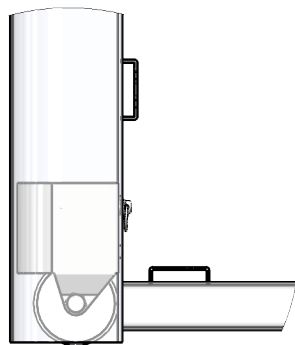
Stainless Steel
 Frame & Hardware

U.H.M.W.
 Plastic Roller

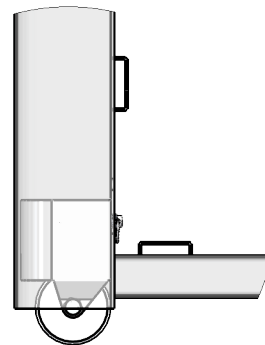


Mobility
 Handle

Cushioned
 Rubber Grip



Wheel in Game Position



Wheel in Mobile Position

PROPRIETARY AND CONFIDENTIAL

THE INFORMATION CONTAINED IN THIS DRAWING IS THE SOLE PROPERTY OF SPORTSFIELD SPECIALTIES INC. ANY REPRODUCTION IN PART OR AS A WHOLE WITHOUT THE WRITTEN PERMISSION OF SPORTSFIELD SPECIALTIES INC. IS PROHIBITED.

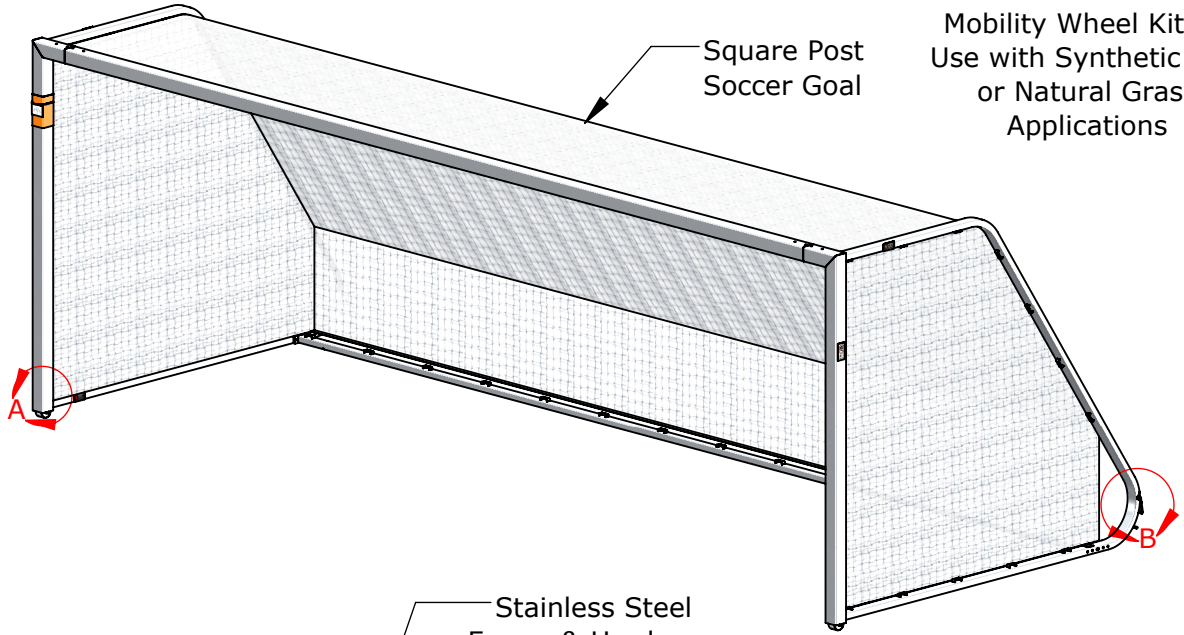
SGMKR SGMobile®
Round Faced Soccer Goal Integrated Wheel Kit

Not To Scale

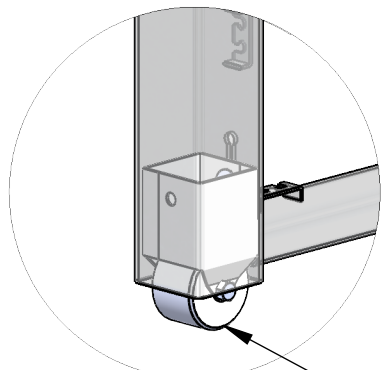
Sportsfield Specialties Inc 04012021

For Use With:
 SG824S
 SG721S
 SG618S

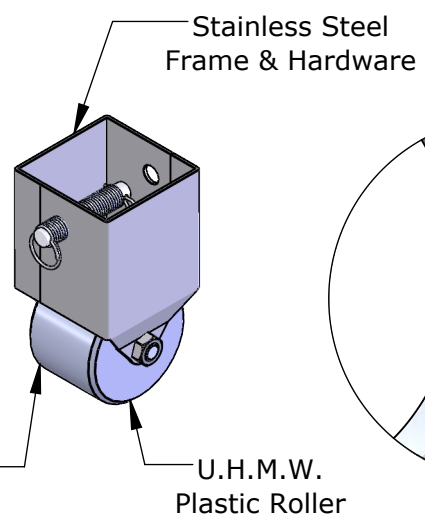
Mobility Wheel Kit for Use with Synthetic Turf or Natural Grass Applications



Square Post Soccer Goal



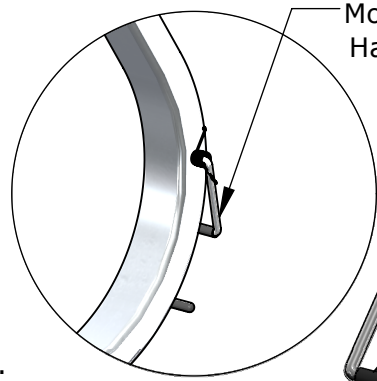
DETAIL A



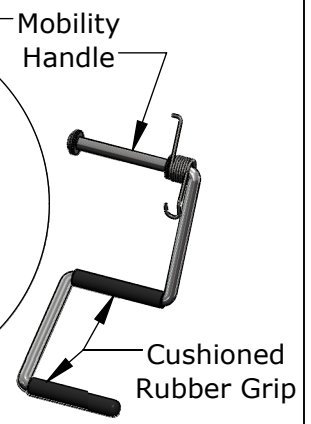
Stainless Steel Frame & Hardware

Mobility Wheel

U.H.M.W. Plastic Roller

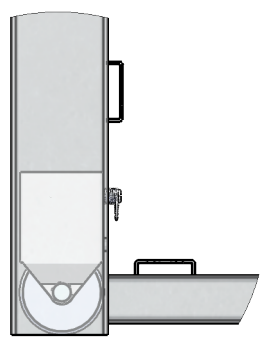


DETAIL B

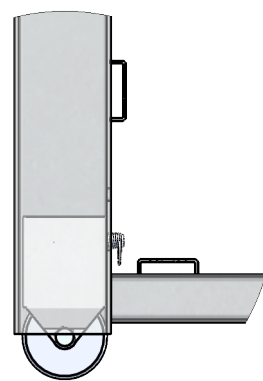


Mobility Handle

Cushioned Rubber Grip



Wheel in Game Position



Wheel in Mobile Position

PROPRIETARY AND CONFIDENTIAL

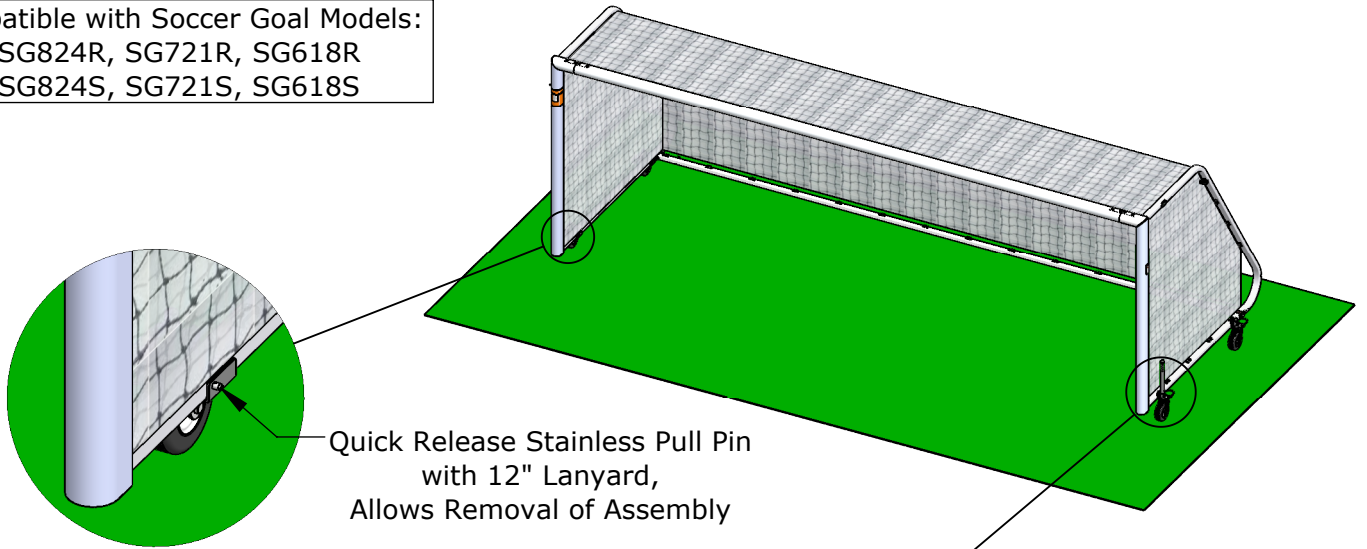
THE INFORMATION CONTAINED IN THIS DRAWING IS THE SOLE PROPERTY OF SPORTSFIELD SPECIALTIES INC. ANY REPRODUCTION IN PART OR AS A WHOLE WITHOUT THE WRITTEN PERMISSION OF SPORTSFIELD SPECIALTIES INC. IS PROHIBITED.

SGMKS SGMobile®
Square Post Soccer Goal Integrated Wheel Kit

Not To Scale

Sportsfield Specialties Inc 04012021

Compatible with Soccer Goal Models:
 SG824R, SG721R, SG618R
 SG824S, SG721S, SG618S



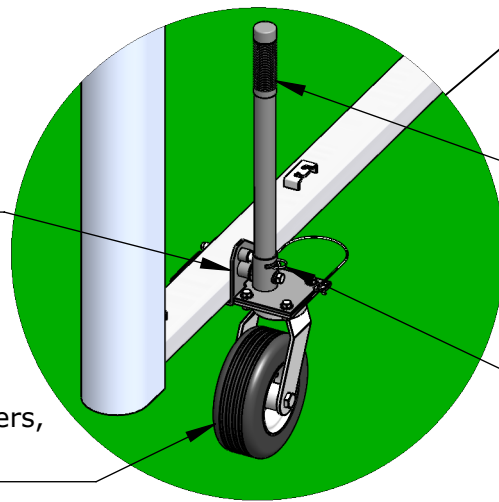
Quick Release Stainless Pull Pin with 12" Lanyard, Allows Removal of Assembly

7 Ga. Steel Mounting Brackets, Black Powder Coated Finish

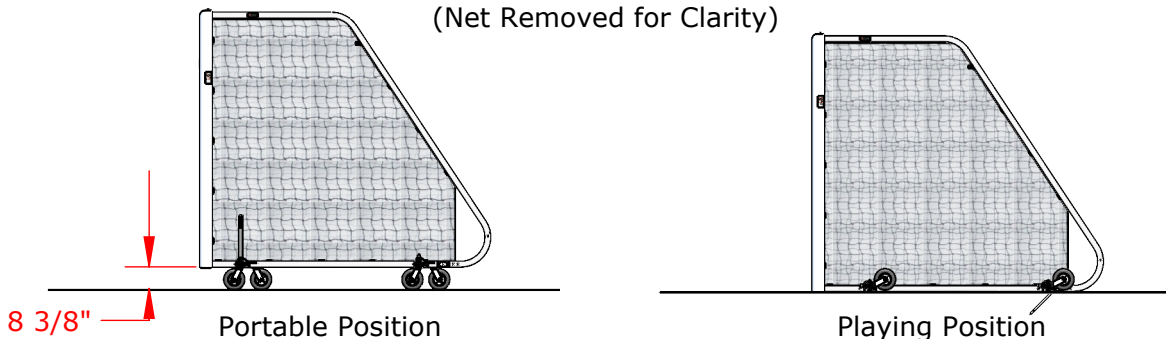
Removable Lever with Ribbed Rubber Grip to Rotate Wheel, 1 per Wheel Kit

8" Semi-Pneumatic Swivel Casters, 450 lb Capacity Each, Set of 4

Retractable Spring Plunger to Release Wheel into Playing Position and to Lock Wheel into Portable Position



Wheel Kit can be Installed with Soccer Net Attached to Goal (Net Removed for Clarity)



8 3/8"

Portable Position

Playing Position

PROPRIETARY AND CONFIDENTIAL

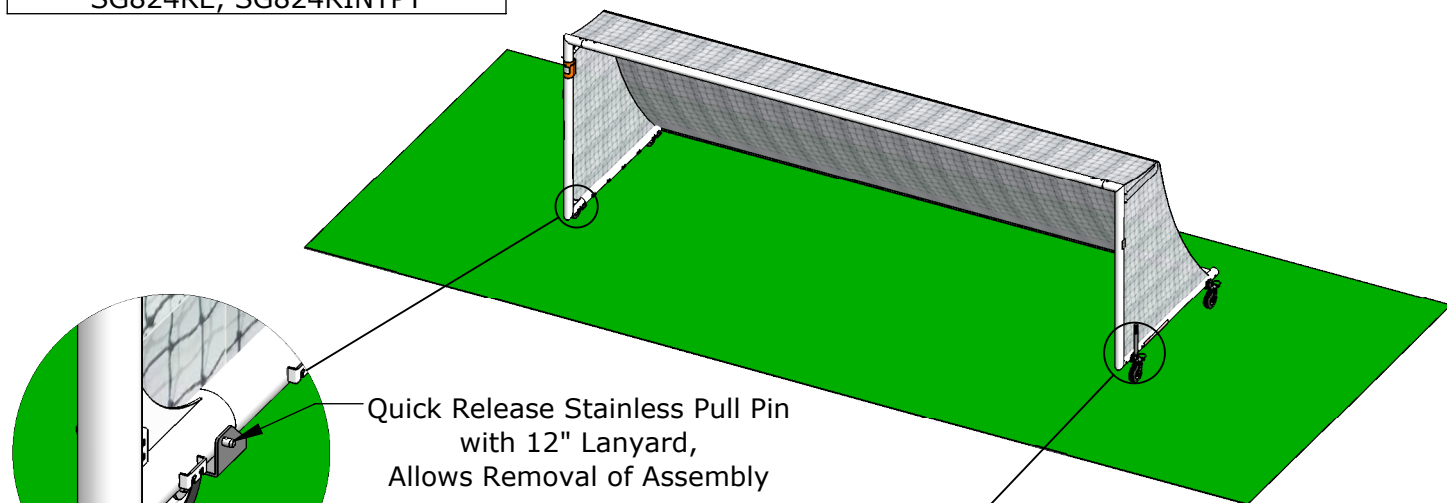
THE INFORMATION CONTAINED IN THIS DRAWING IS THE SOLE PROPERTY OF SPORTSFIELD SPECIALTIES INC. ANY REPRODUCTION IN PART OR AS A WHOLE WITHOUT THE WRITTEN PERMISSION OF SPORTSFIELD SPECIALTIES INC. IS PROHIBITED.

SGWKL Levered Soccer Goal External Wheel Kit

Not To Scale

Sportsfield Specialties Inc 06182021

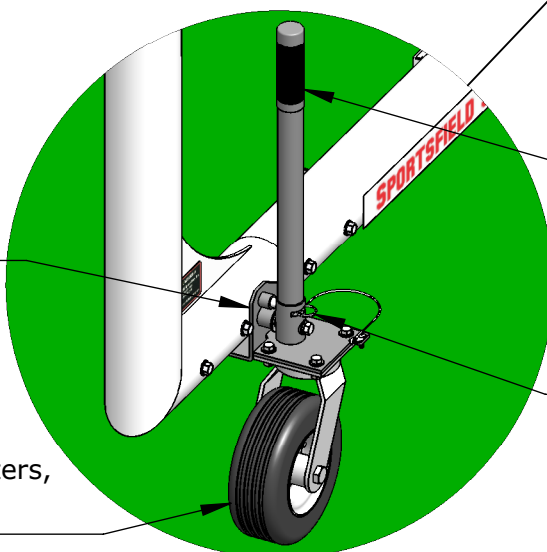
Compatible with Soccer Goal Models:
 SG824RE, SG824RINTPT



Quick Release Stainless Pull Pin with 12" Lanyard, Allows Removal of Assembly

7 Ga. Steel Mounting Brackets, Black Powder Coated Finish

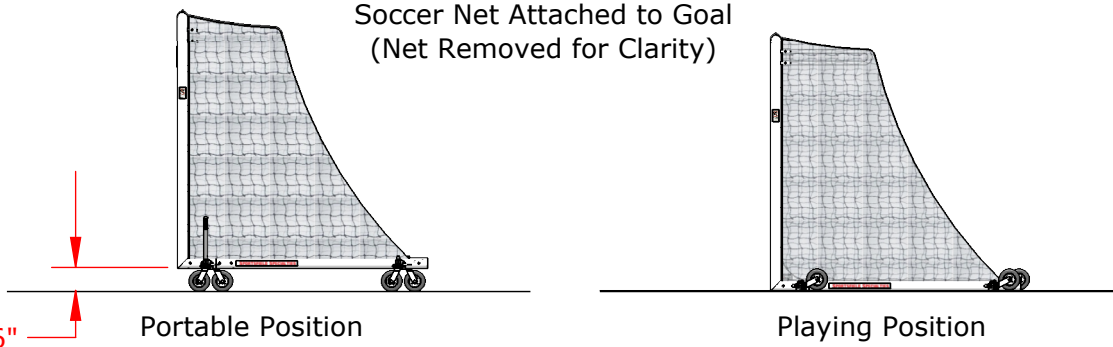
8" Semi-Pneumatic Swivel Casters, 450 lb Capacity Each, Set of 4



Removable Lever with Ribbed Rubber Grip to Rotate Wheel, 1 per Wheel Kit

Retractable Spring Plunger to Release Wheel into Playing Position and to Lock Wheel into Portable Position

Wheel Kit can be Installed with Soccer Net Attached to Goal (Net Removed for Clarity)



8 15/16"

Portable Position

Playing Position

PROPRIETARY AND CONFIDENTIAL

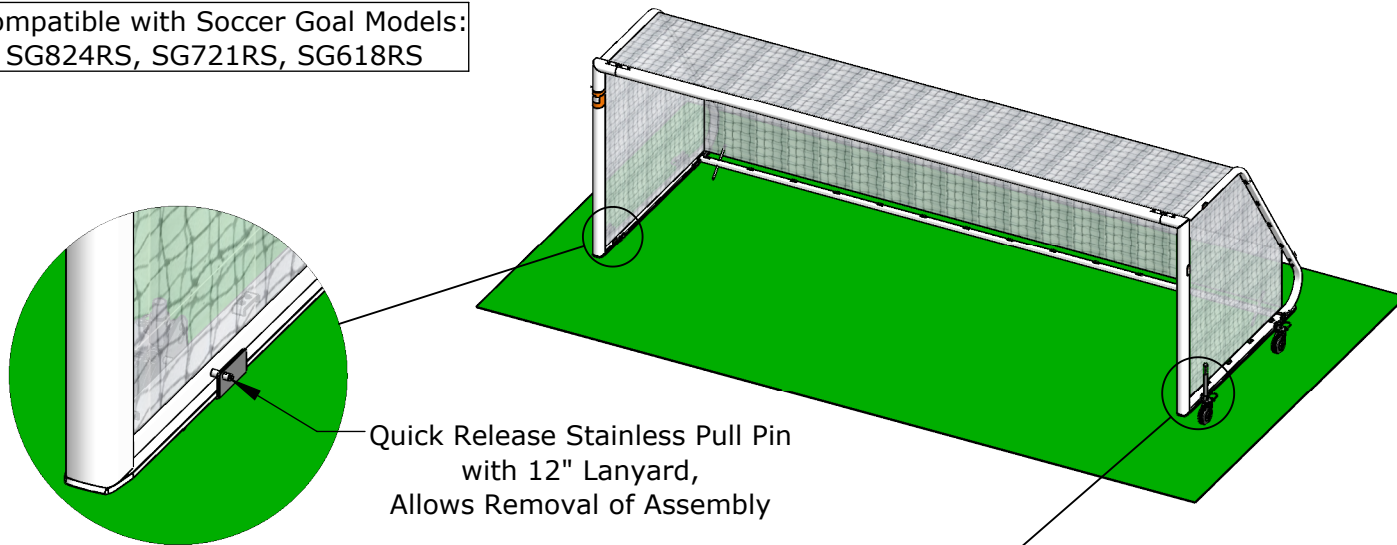
THE INFORMATION CONTAINED IN THIS DRAWING IS THE SOLE PROPERTY OF SPORTSFIELD SPECIALTIES INC. ANY REPRODUCTION IN PART OR AS A WHOLE WITHOUT THE WRITTEN PERMISSION OF SPORTSFIELD SPECIALTIES INC. IS PROHIBITED.

SGWKL4 Levered 4" Round Soccer Goal External Wheel Kit

Not To Scale

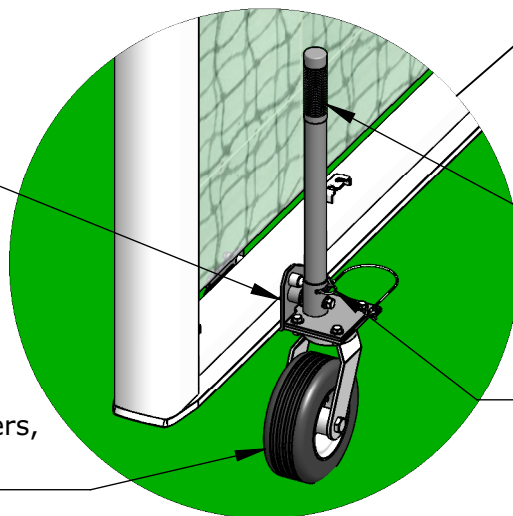
Sportsfield Specialties Inc 06182021

Compatible with Soccer Goal Models:
SG824RS, SG721RS, SG618RS



Quick Release Stainless Pull Pin
with 12" Lanyard,
Allows Removal of Assembly

7 Ga. Steel Mounting Brackets,
Black Powder Coated Finish

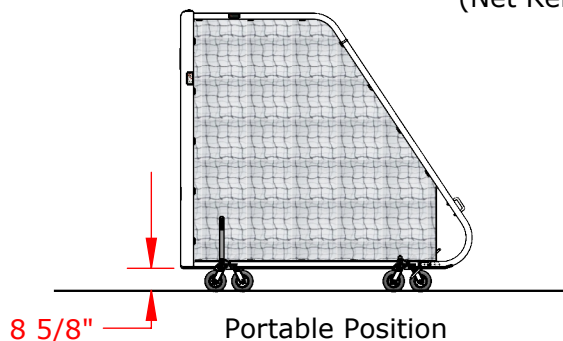


Removable Lever with
Ribbed Rubber Grip
to Rotate Wheel,
1 per Wheel Kit

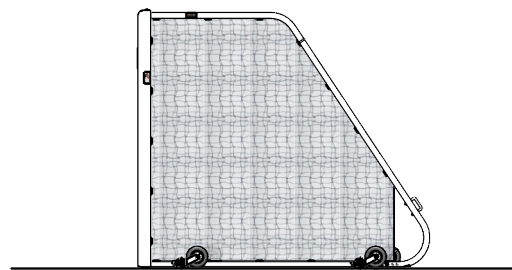
8" Semi-Pneumatic Swivel Casters,
450 lb Capacity Each,
Set of 4

Retractable Spring Plunger
to Release Wheel into
Playing Position and to Lock
Wheel into Portable Position

Wheel Kit can be Installed with
Soccer Net Attached to Goal
(Net Removed for Clarity)



Portable Position



Playing Position

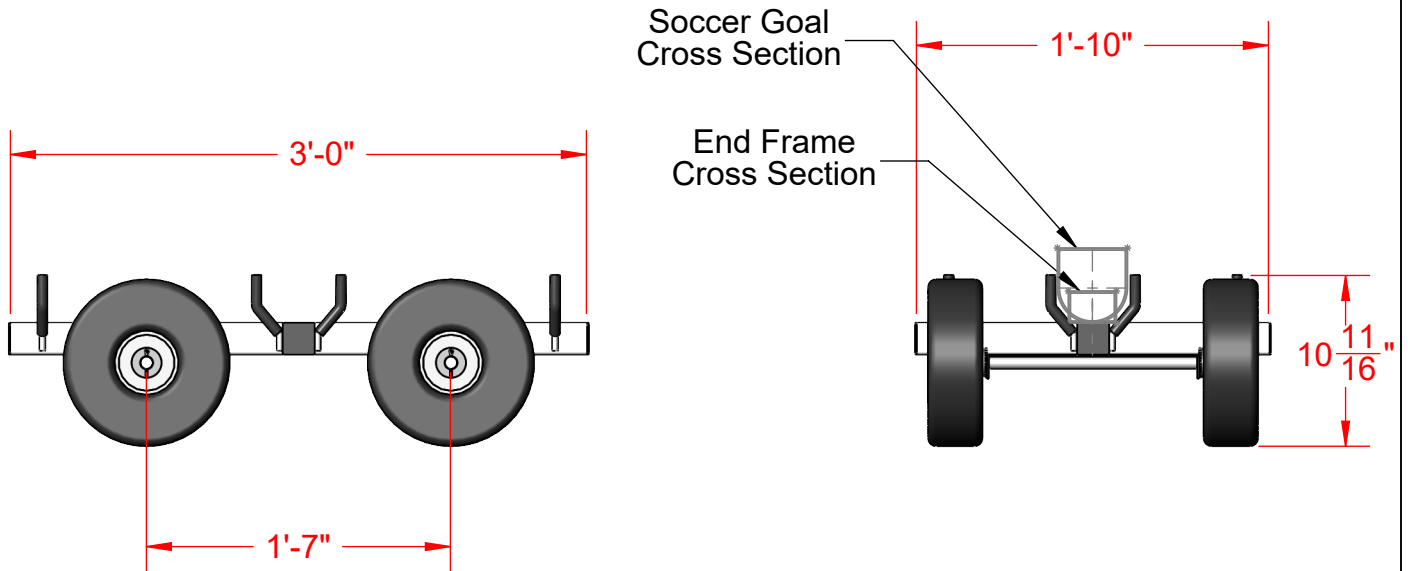
PROPRIETARY AND CONFIDENTIAL

THE INFORMATION CONTAINED IN
THIS DRAWING IS THE SOLE PROPERTY
OF SPORTSFIELD SPECIALTIES INC.
ANY REPRODUCTION IN PART OR AS A
WHOLE WITHOUT THE WRITTEN
PERMISSION OF SPORTSFIELD
SPECIALTIES INC. IS PROHIBITED.

SGWKL5 Levered Soccer Goal with Skids External Wheel Kit

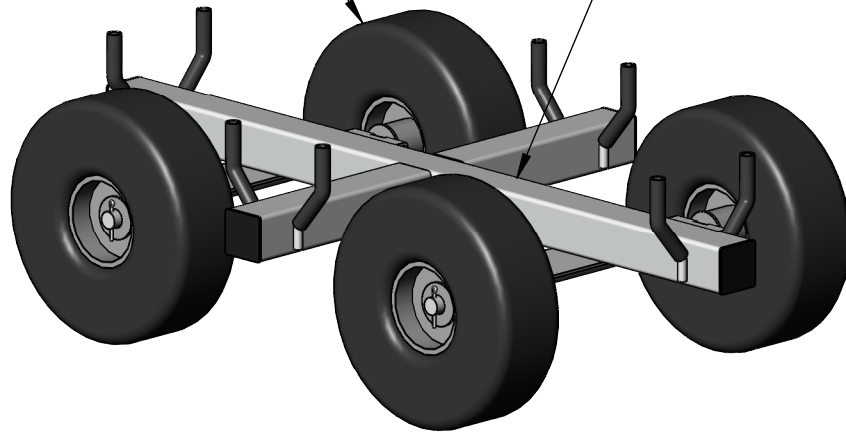
Not To Scale

Sportsfield Specialties Inc 06182021



10" O.D. Pneumatic Tires

powder coated
white finish



Set of Two (2) for Transport of One (1) Soccer Goal

For Use With Round
Faced and Square
Post Soccer Goals

PROPRIETARY AND CONFIDENTIAL

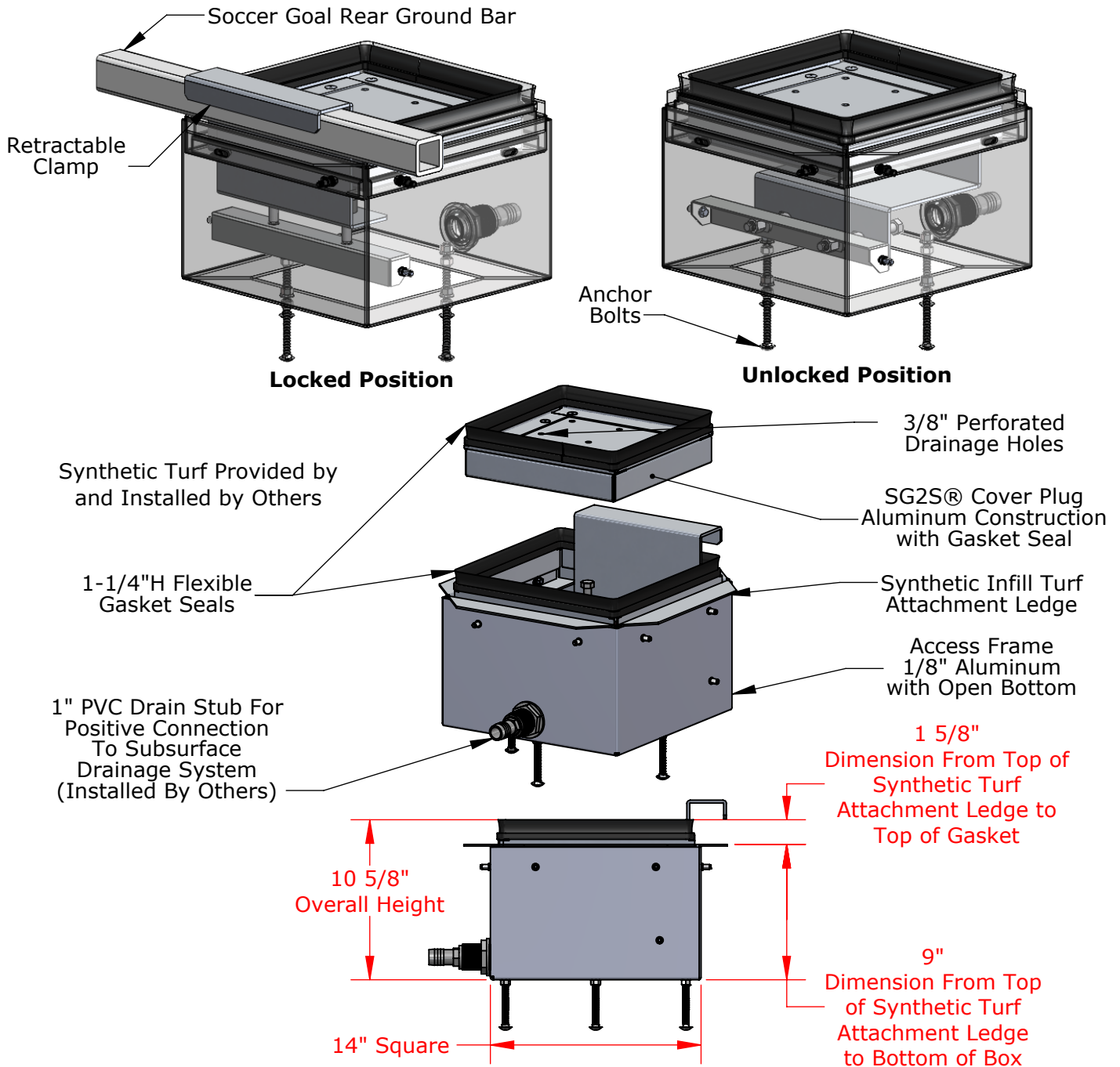
THE INFORMATION CONTAINED IN THIS DRAWING IS THE SOLE PROPERTY OF SPORTSFIELD SPECIALTIES INC. ANY REPRODUCTION IN PART OR AS A WHOLE WITHOUT THE WRITTEN PERMISSION OF SPORTSFIELD SPECIALTIES INC. IS PROHIBITED.

SGCRT Soccer Goal Transport Cart

Not To Scale

Sportsfield Specialties Inc 105555.2-230306

SG2S® for use with Either Round Faced or Square Post Soccer Goals Installed in Synthetic Turf Applications



United States Patent #7,331,880, Issued February 19, 2008
 United States Patent #7,527,569, Issued May 5, 2009
 United States Patent #8,777,784, Issued July 15, 2014

PROPRIETARY AND CONFIDENTIAL

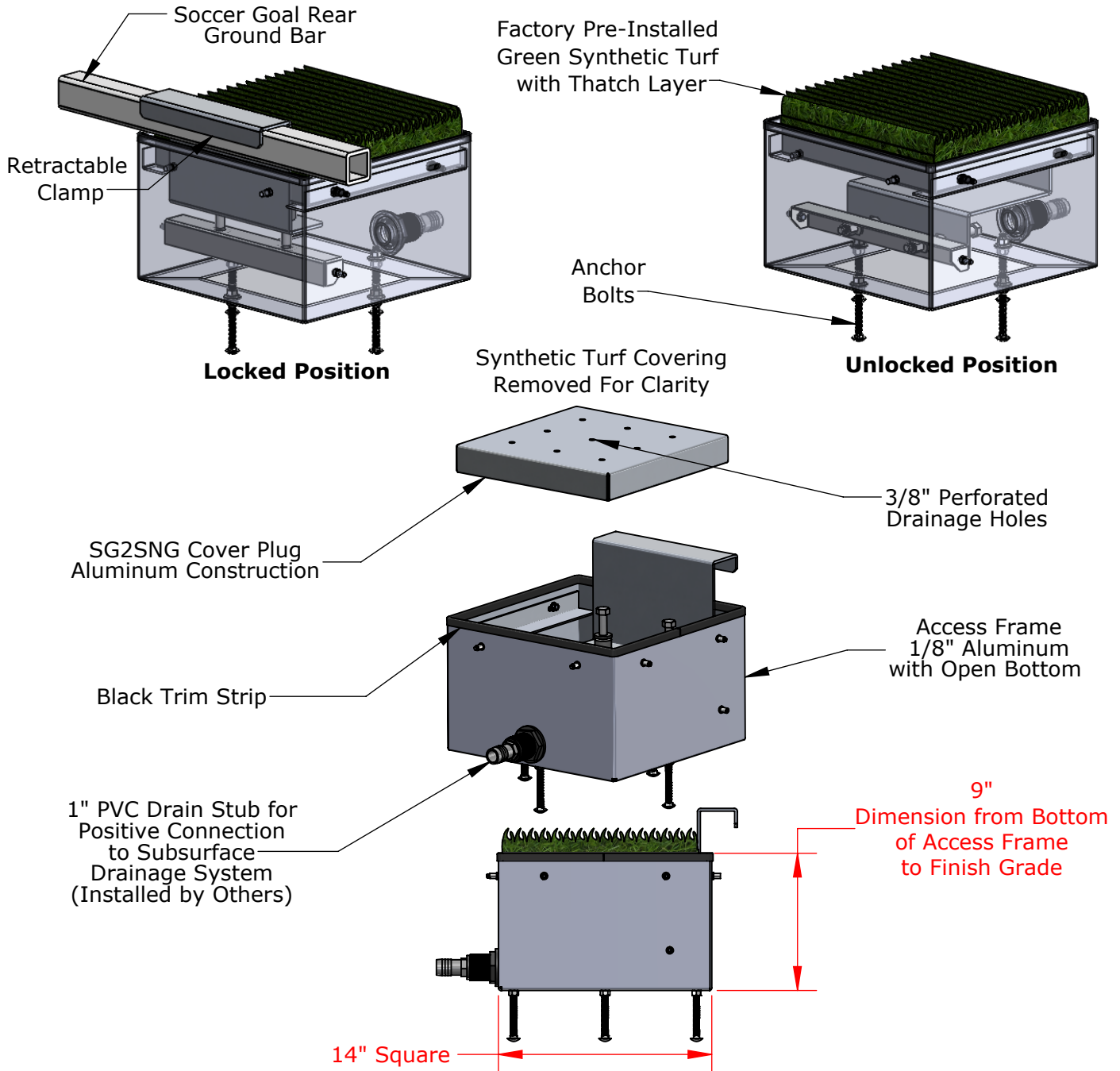
THE INFORMATION CONTAINED IN THIS DRAWING IS THE SOLE PROPERTY OF SPORTSFIELD SPECIALTIES INC. ANY REPRODUCTION IN PART OR AS A WHOLE WITHOUT THE WRITTEN PERMISSION OF SPORTSFIELD SPECIALTIES INC. IS PROHIBITED.

SG2S® Stand Alone Soccer Goal Safety System with Infill Retainer System for Synthetic Turf Applications

Not To Scale

Sportsfield Specialties Inc 05052020

SG2SNG for use with Either Round Faced or Square Post Soccer Goals Installed in Natural Grass Applications



United States Patent #7,331,880, Issued February 19, 2008
 United States Patent #7,527,569, Issued May 5, 2009
 United States Patent #8,777,784, Issued July 15, 2014

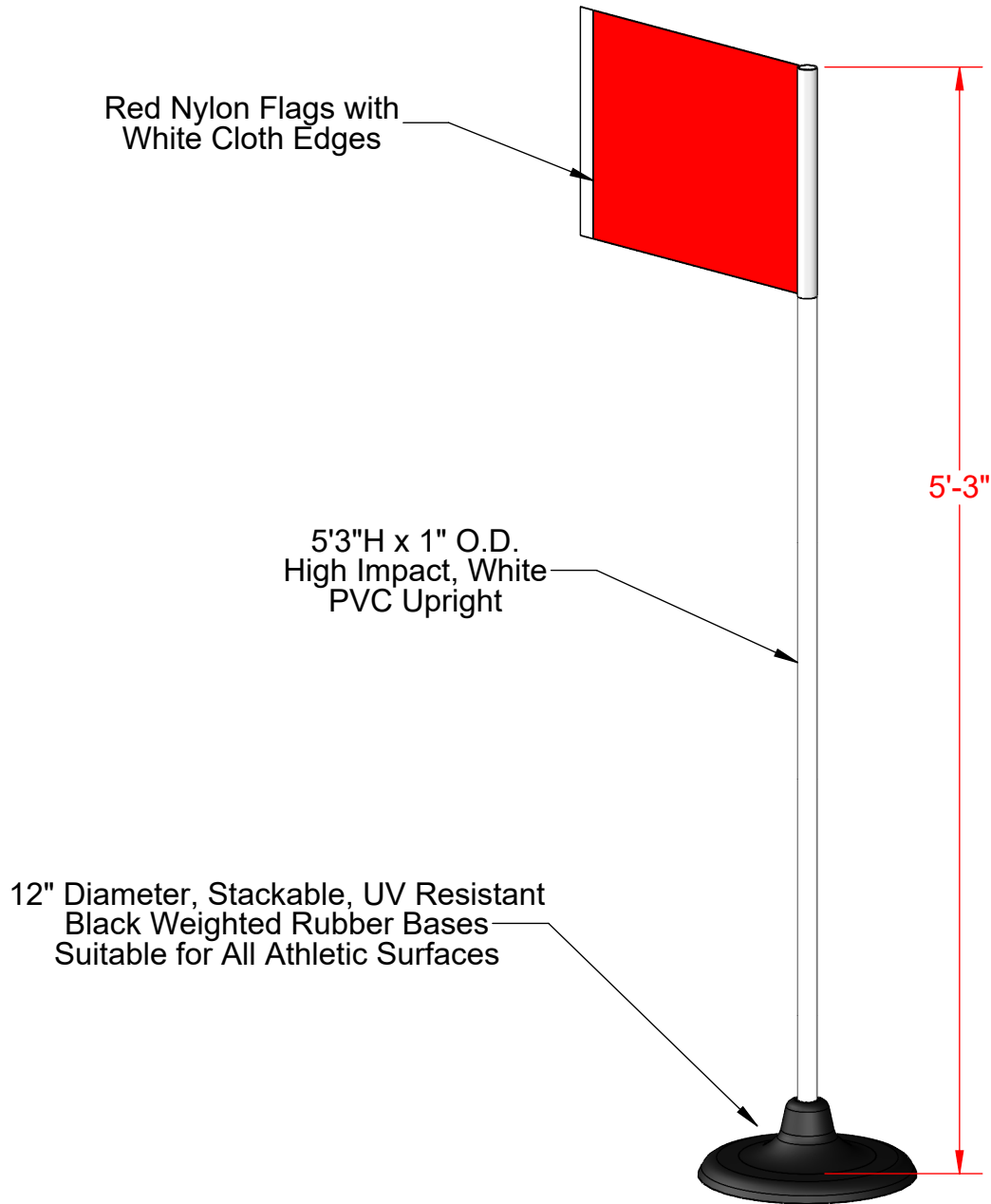
PROPRIETARY AND CONFIDENTIAL

THE INFORMATION CONTAINED IN THIS DRAWING IS THE SOLE PROPERTY OF SPORTSFIELD SPECIALTIES INC. ANY REPRODUCTION IN PART OR AS A WHOLE WITHOUT THE WRITTEN PERMISSION OF SPORTSFIELD SPECIALTIES INC. IS PROHIBITED.

SG2SNG (SG2SPW) Stand Alone Soccer Goal Safety System For Natural Grass Applications

Not To Scale

Sportsfield Specialties Inc 05052020



PROPRIETARY AND CONFIDENTIAL

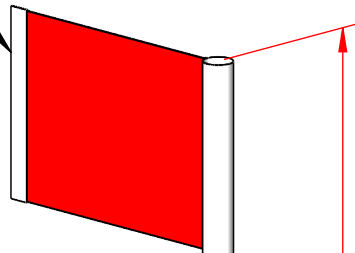
THE INFORMATION CONTAINED IN THIS DRAWING IS THE SOLE PROPERTY OF SPORTSFIELD SPECIALTIES INC. ANY REPRODUCTION IN PART OR AS A WHOLE WITHOUT THE WRITTEN PERMISSION OF SPORTSFIELD SPECIALTIES INC. IS PROHIBITED.

**SG6B1404 - Set of Four (4)
KwikGoal® Premier Soccer Corner Flags**

Not To Scale

Sportsfield Specialties Inc 105554.1-221209

Set of Four (4) Red Corner Flags

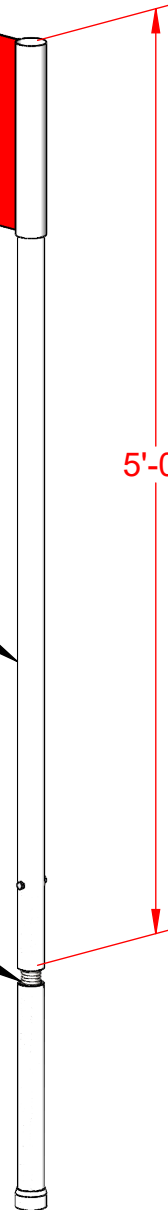


60"H x 1.5" O.D. White
High Impact
Plastic Upright

5'-0"

Steel Spring
with Ground Sleeve

Not For Portable Use



PROPRIETARY AND CONFIDENTIAL

THE INFORMATION CONTAINED IN THIS DRAWING IS THE SOLE PROPERTY OF SPORTSFIELD SPECIALTIES INC. ANY REPRODUCTION IN PART OR AS A WHOLE WITHOUT THE WRITTEN PERMISSION OF SPORTSFIELD SPECIALTIES INC. IS PROHIBITED.

SG6B701

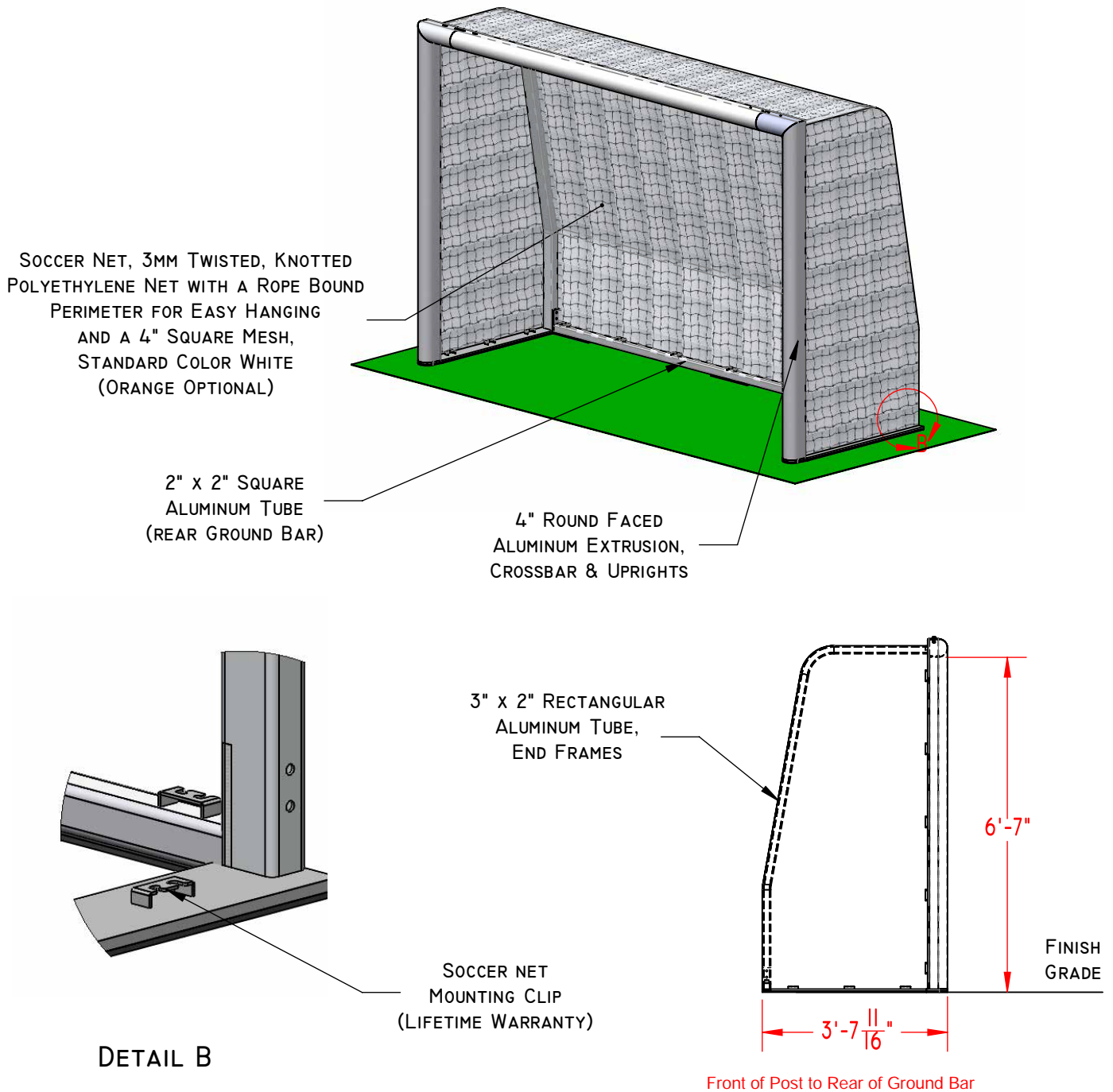
KwikGoal® International Corner Flags

Not To Scale

Sportsfield Specialties Inc 105550.1-221209

*NO MOBILITY WHEEL KIT OPTION AVAILABLE

POWDER COATED WHITE FINISH



PROPRIETARY AND CONFIDENTIAL
THE INFORMATION CONTAINED IN THIS DRAWING IS THE SOLE PROPERTY OF SPORTSFIELD SPECIALTIES INC. ANY REPRODUCTION IN PART OR AS A WHOLE WITHOUT THE WRITTEN PERMISSION OF SPORTSFIELD SPECIALTIES INC. IS PROHIBITED.

**FG610R 6'7" x 9'10" FUTSAL
SOCCER GOAL**

NOT TO SCALE

SPORTSFIELD SPECIALTIES INC 08222016

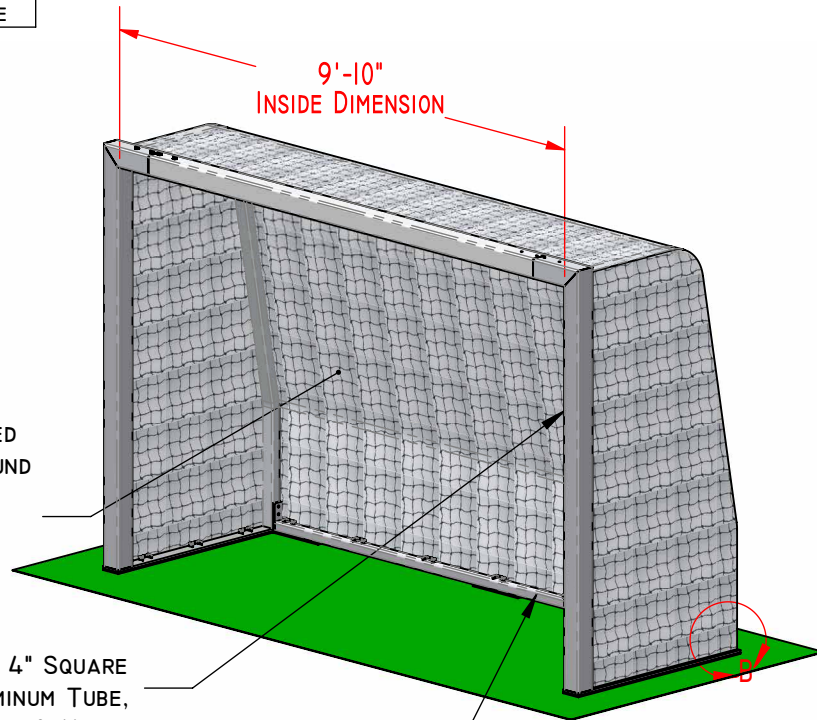
NO MOBILITY WHEEL KIT OPTION AVAILABLE

FUTSAL NET, 3MM TWISTED, KNOTTED POLYETHYLENE NET WITH A ROPE BOUND PERIMETER FOR EASY HANGING AND A 4" SQUARE MESH, STANDARD COLOR WHITE (ORANGE OPTIONAL)

4" x 4" SQUARE ALUMINUM TUBE, CROSSBAR & UPRIGHTS

2" x 2" SQUARE ALUMINUM TUBE, REAR GROUND BAR

POWDER COATED WHITE FINISH



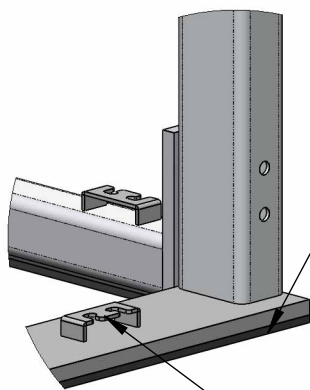
2" x 3" RECTANGLE ALUMINUM TUBE, END FRAMES

FACTORY PRE-INSTALLED 1/2" BLACK RUBBER BASE MATERIAL TO INCREASE FUTSAL GOAL STABILITY AND HELP PREVENT DAMAGE TO PLAYING SURFACE

6'-7" INSIDE DIMENSION

FINISH GRADE

3'-7" FRONT OF POST TO REAR OF GROUND BAR



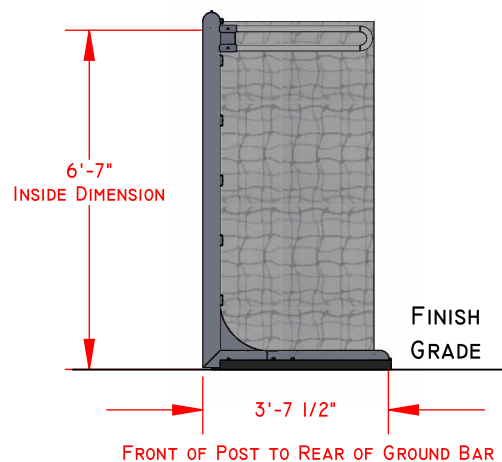
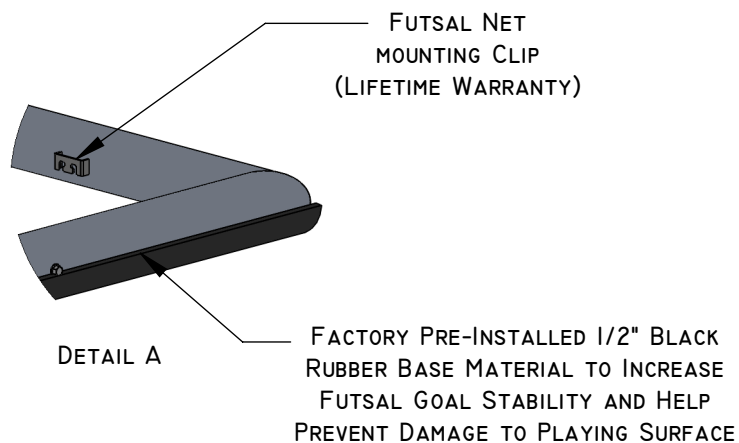
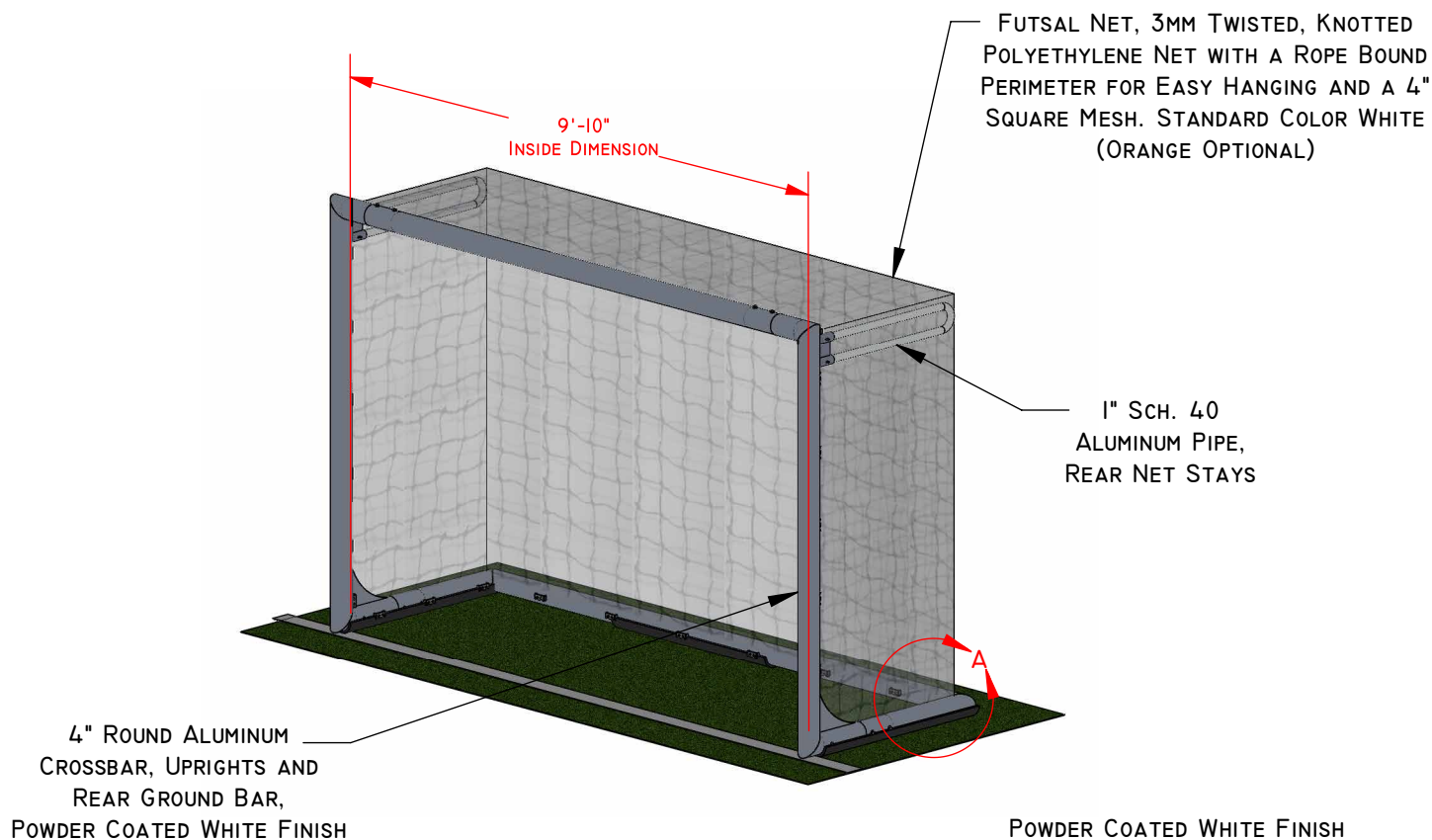
DETAIL B
FUTSAL NET MOUNTING CLIP (LIFETIME WARRANTY)

PROPRIETARY AND CONFIDENTIAL
THE INFORMATION CONTAINED IN THIS DRAWING IS THE SOLE PROPERTY OF SPORTSFIELD SPECIALTIES INC. ANY REPRODUCTION IN PART OR AS A WHOLE WITHOUT THE WRITTEN PERMISSION OF SPORTSFIELD SPECIALTIES INC. IS PROHIBITED.

**FG610S 6'7" x 9'10" SQUARE POST
FUTSAL GOAL**

NOT TO SCALE

SPORTSFIELD SPECIALTIES INC 08262016



PROPRIETARY AND CONFIDENTIAL
THE INFORMATION CONTAINED IN THIS
DRAWING IS THE SOLE PROPERTY OF
SPORTSFIELD SPECIALTIES INC. ANY
REPRODUCTION IN PART OR AS A WHOLE
WITHOUT THE WRITTEN PERMISSION OF
SPORTSFIELD SPECIALTIES INC. IS
PROHIBITED.

FG610RINT 6'7" x 9'10" ROUND POST FUTSAL GOAL

NOT TO SCALE

SPORTSFIELD SPECIALTIES INC 08262016