

# SPORTSFIELD SPECIALTIES

www.sportsfield.com | 888-975-3343

*Excellence from  
Design to Installation*



**GoalPak® Combination Goals**



Sportsfield Specialties, Inc. 41155 State Hwy 10. Delhi, NY 13753

# GoalPak® Combination Football / Soccer Goals



## Product Overview

- Ideal for multi-sport athletic fields where soccer and football share a field
- Includes round faced or square post soccer goals, AdjustRight® Football Goal Posts, SG2SGP lockdown safety system, and SGMobile® soccer goal wheel kit
- Integrated soccer safety system anchors the goal to prevent tip-over and can be stored within the access frame when not in use
- Patented AdjustRight® football goal upright alignment technology
- Heavy-duty aluminum construction is exceptionally strong while remaining light-weight for handling and installation
- U.S. Patents: #7,014,578; #7,883,432; #7,914,401; #7,331,880; #7,527,569; #8,172,705; and #8,777,784
- Goal post pads sold separately

## Industry Exclusive Combination Goal Solution

Item Number	Product Description
GPKR20HS	GoalPak® combination H.S. football goal post, 20' uprights, ground sleeve inserted / round faced soccer goals
GPKR20HSPL	GoalPak® combination H.S. football goal post, 20' uprights, plate mounted / round faced soccer goals
GPKS20HS	GoalPak® combination H.S. football goal post, 20' uprights, ground sleeve inserted / square post soccer goals
GPKS20HSPL	GoalPak® combination H.S. football goal post, 20' uprights, plate mounted / square post soccer goals
GPKR30HS	GoalPak® combination H.S. football goal post, 30' uprights, ground sleeve inserted / round faced soccer goals
GPKR30HSPL	GoalPak® combination H.S. football goal post, 30' uprights, plate mounted / round faced soccer goals
GPKS30HS	GoalPak® combination H.S. football goal post, 30' uprights, ground sleeve inserted / square post soccer goals
GPKS30HSPL	GoalPak® combination H.S. football goal post, 30' uprights, plate mounted / square post soccer goals
GPKR20COL	GoalPak® combination college football goal post, 20' uprights, ground sleeve inserted / round faced soccer goals
GPKR20COLPL	GoalPak® combination college football goal post, 20' uprights, plate mounted / round faced soccer goals
GPKS20COL	GoalPak® combination college football goal post, 20' uprights, ground sleeve inserted / square post soccer goals
GPKS20COLPL	GoalPak® combination college football goal post, 20' uprights, plate mounted / square post soccer goals
GPKR30COL	GoalPak® combination college football goal post, 30' uprights, ground sleeve inserted / round faced soccer goals
GPKR30COLPL	GoalPak® combination college football goal post, 30' uprights, plate mounted / round faced soccer goals
GPKS30COL	GoalPak® combination college football goal post, 30' uprights, ground sleeve inserted / square post soccer goals
GPKS30COLPL	GoalPak® combination college football goal post, 30' uprights, plate mounted / square post soccer goals
GPKR20ADJ	GoalPak® combination adjustable football goal post, 20' uprights, ground sleeve inserted / round faced soccer goals
GPKR20ADJPL	GoalPak® combination adjustable football goal post, 20' uprights, plate mounted / round faced soccer goals
GPKS20ADJ	GoalPak® combination adjustable football goal post, 20' uprights, ground sleeve inserted / square post soccer goals
GPKS20ADJPL	GoalPak® combination adjustable football goal post, 20' uprights, plate mounted / square post soccer goals
GPKR30ADJ	GoalPak® combination adjustable football goal post, 30' uprights, ground sleeve inserted / round faced soccer goals
GPKR30ADJPL	GoalPak® combination adjustable football goal post, 30' uprights, plate mounted / round faced soccer goals
GPKS30ADJ	GoalPak® combination adjustable football goal post, 30' uprights, ground sleeve inserted / square post soccer goals
GPKS30ADJPL	GoalPak® combination adjustable football goal post, 30' uprights, plate mounted / square post soccer goals



# Rotating GoalPak® Combination Football / Soccer Goals



## Product Overview

- Includes round faced or square post soccer goals, AdjustRight® Rotating Football Goal Posts, SG2SGP lockdown safety system, and SGMobile® soccer goal wheel kit
- Patented 360° rotating design is operable with one person and most commonly used to eliminate soccer goal interference when located on a multi-purpose playing field
- Integrated soccer safety system anchors the goal to prevent tip-over and can be stored within the access frame when not in use
- Patented AdjustRight® football goal upright alignment technology
- Heavy-duty aluminum construction is exceptionally strong while remaining lightweight for handling and installation
- U.S. Patents: #7,014,578; #7,883,432; #7,914,401; #7,331,880; #7,527,569; #8,172,705, #8,777,784; and #10,159,881

Item Number	Product Description
GPKR20HSR	Rotating GoalPak® combination H.S. football goal post, 20' uprights / round faced soccer goals
GPKS20HSR	Rotating GoalPak® combination H.S. football goal post, 20' uprights / square post soccer goals
GPKR30HSR	Rotating GoalPak® combination H.S. football goal post, 30' uprights / round faced soccer goals
GPKS30HSR	Rotating GoalPak® combination H.S. football goal post, 30' uprights / square post soccer goals
GPKR20COLR	Rotating GoalPak® combination college football goal post, 20' uprights / round faced soccer goals
GPKS20COLR	Rotating GoalPak® combination college football goal post, 20' uprights / square post soccer goals
GPKR30COLR	Rotating GoalPak® combination college football goal post, 30' uprights / round faced soccer goals
GPKS30COLR	Rotating GoalPak® combination college football goal post, 30' uprights / square post soccer goals
GPKR20ADJR	Rotating GoalPak® combination adjustable football goal post, 20' uprights / round faced soccer goals
GPKS20ADJR	Rotating GoalPak® combination adjustable football goal post, 20' uprights / square post soccer goals
GPKR30ADJR	Rotating GoalPak® combination adjustable football goal post, 30' uprights / round faced soccer goals
GPKS30ADJR	Rotating GoalPak® combination adjustable football goal post, 30' uprights / square post soccer goals



# Rotating & Gooseneck Hinged GoalPak® Combination Football / Soccer Goals



## Product Overview

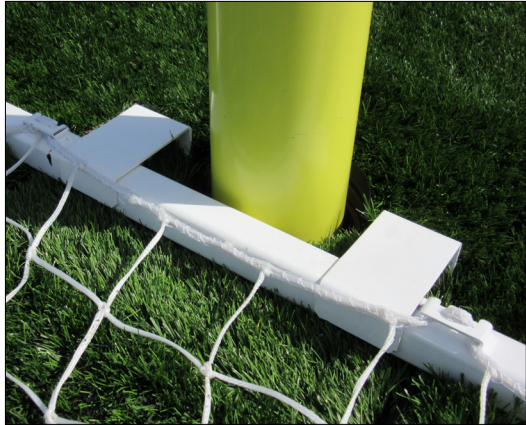
- Includes round faced or square post soccer goals, AdjustRight® Rotating & Hinged Football Goal Posts, SG2SGP lockdown safety system, and SGMobile® soccer goal wheel kit
- Patented rotating and gooseneck hinged design lowers goal post in +/- 10 seconds
- 360° rotating design is operable with one person and is commonly used to eliminate Soccer Goal interference when located on a multi-purpose playing field
- Hydraulic assembly conveniently mounted at eye level
- Restore to the upright position in +/- 60 seconds with an electric drill
- Includes Sportsfield's patented AdjustRight® upright alignment technology
- IMPROVED! Fade-resistant super durable powder-coated finish
- Heavy-duty aluminum construction is exceptionally strong while remaining lightweight for handling and installation
- U.S. Patents: #7,014,578; #7,883,432; #7,914,401; #8,496,547; #8,172,705, #8,777,784; and #10,159,881

Item Number	Product Description
GPKR20HSRGGH	Rotating and gooseneck hinged GoalPak® combination H.S. football goal post, 20' uprights / round faced soccer goals
GPKS20HSRGGH	Rotating and gooseneck hinged GoalPak® combination H.S. football goal post, 20' uprights / square post soccer goals
GPKR30HSRGGH	Rotating and gooseneck hinged GoalPak® combination H.S. football goal post, 30' uprights / round faced soccer goals
GPKS30HSRGGH	Rotating and gooseneck hinged GoalPak® combination H.S. football goal post, 30' uprights / square post soccer goals
GPKR20COLRGGH	Rotating and gooseneck hinged GoalPak® combination college football goal post, 20' uprights / round faced soccer goals
GPKS20COLRGGH	Rotating and gooseneck hinged GoalPak® combination college football goal post, 20' uprights / square post soccer goals
GPKR30COLRGGH	Rotating and gooseneck hinged GoalPak® combination college football goal post, 30' uprights / round faced soccer goals
GPKS30COLRGGH	Rotating and gooseneck hinged GoalPak® combination college football goal post, 30' uprights / square post soccer goals
GPKR20ADJRGGH	Rotating and gooseneck hinged GoalPak® combination adjustable football goal post, 20' uprights / round faced soccer goals
GPKS20ADJRGGH	Rotating and gooseneck hinged GoalPak® combination adjustable football goal post, 20' uprights / square post soccer goals
GPKR30ADJRGGH	Rotating and gooseneck hinged GoalPak® combination adjustable football goal post, 30' uprights / round faced soccer goals
GPKS30ADJRGGH	Rotating and gooseneck hinged GoalPak® combination adjustable football goal post, 30' uprights / square post soccer goals





# SG2SGP Lockdown Safety System



## Product Overview

- Industry-leading soccer anchoring system included with ALL GoalPak® systems
- Patented design secures the rear ground bar and eliminates risk of tip-over
- Pivoting clamp mechanism conveniently stores inside the access frame when not in use
- Designed for synthetic infill turf or natural grass applications
- Synthetic turf models include exclusive infill retainage gasket and perimeter turf attachment ledge
- Aluminum construction with integral drainage stub
- Note: Synthetic turf models require turf to be applied by others; natural grass models include preinstalled synthetic turf with thatch layer
- U.S. Patents: #7,331,880; #7,527,569; #8,172,705 and #8,777,784

Item Number	Product Description
SG2SGP	GoalPak® lockdown safety system for synthetic turf
SG2SGPNG	GoalPak® lockdown safety system for natural grass
SG2SGPR30	Rotating and Rotating Gooseneck Hinged GoalPak® lockdown safety system for synthetic turf
SG2SGPRNG30	Rotating and Rotating Gooseneck Hinged GoalPak® lockdown safety system for natural grass



# Combination H-Style Goals

## Product Overview

- Combination football and soccer goals are ideal for limited space
- Durable 4" aluminum construction
- NEW fade resistant super durable powder coated finish
- Includes ground sleeves, directional flags, 5mm soccer net and net stays

Item Number	Product Description
GPHC20HS	H-Style combination H.S. football / soccer goal, 20' uprights
GPHC20COL	H-Style combination college football / soccer goal, 20' uprights
GPHC30HS	H-Style combination H.S. football / soccer goal, 30' uprights
GPHC30COL	H-Style combination college football / soccer goal, 30' uprights





Foundation requirements based on local codes and soil conditions

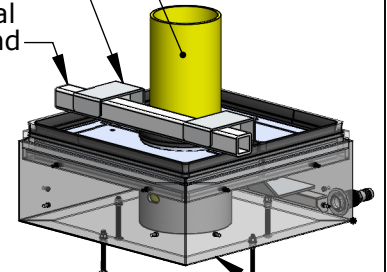
Powder Coated Yellow or White Finish

AdjustRight® Football Goal Post with 8' Offset Gooseneck

SG824R Round Faced Soccer Goal with SGMKR Integrated SGMobile® Wheel Kit

Retractable Clamp Football Goal Post Gooseneck

Soccer Goal Rear Ground Bar



SG2SGP Original GoalPak® Soccer Goal Safety System

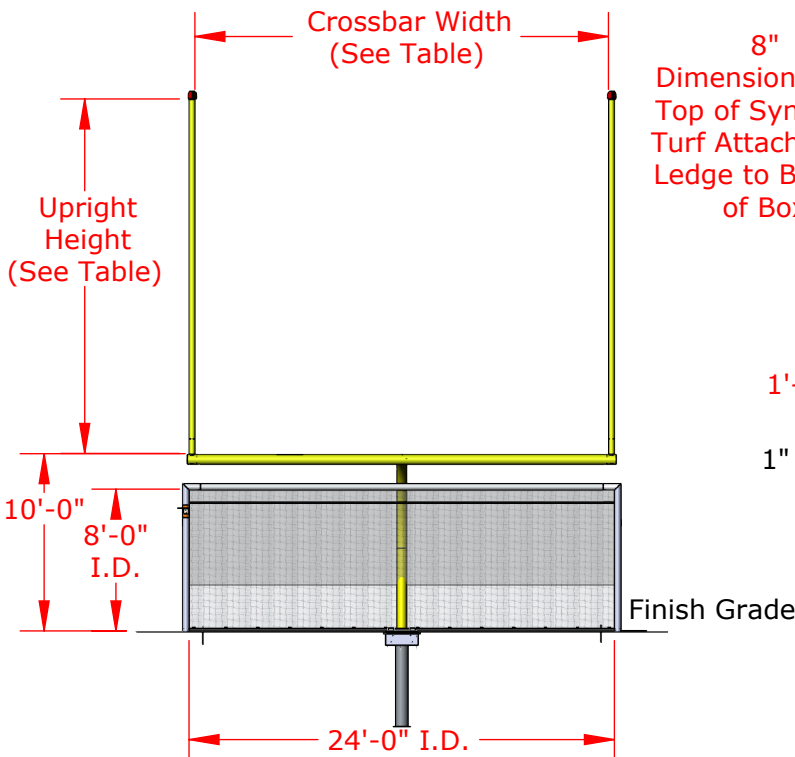
8'-0" OR 8'-4" Front of Soccer Post to Rear of Back Bar

1 5/8" Dimension From Top of Synthetic Turf Attachment Ledge to Top of Gasket

8" Dimension From Top of Synthetic Turf Attachment Ledge to Bottom of Box

1'-10 5/16" Square

1" PVC Drain Stub For Positive Connection To Subsurface Drainage System (installed by others)



PART NO.	UPRIGHT HEIGHT	MODEL	CROSSBAR WIDTH (I.D.)
GPKR20ADJ	20'-0"	ADJUSTABLE	18'-6" / 23'-4"
GPKR20COL	20'-0"	COLLEGE	18'-6"
GPKR20HS	20'-0"	HIGH SCHOOL	23'-4"
GPKR30ADJ	30'-0"	ADJUSTABLE	18'-6" / 23'-4"
GPKR30COL	30'-0"	COLLEGE	18'-6"
GPKR30HS	30'-0"	HIGH SCHOOL	23'-4"

PROPRIETARY AND CONFIDENTIAL

THE INFORMATION CONTAINED IN THIS DRAWING IS THE SOLE PROPERTY OF SPORTSFIELD SPECIALTIES INC. ANY REPRODUCTION IN PART OR AS A WHOLE WITHOUT THE WRITTEN PERMISSION OF SPORTSFIELD SPECIALTIES INC. IS PROHIBITED.

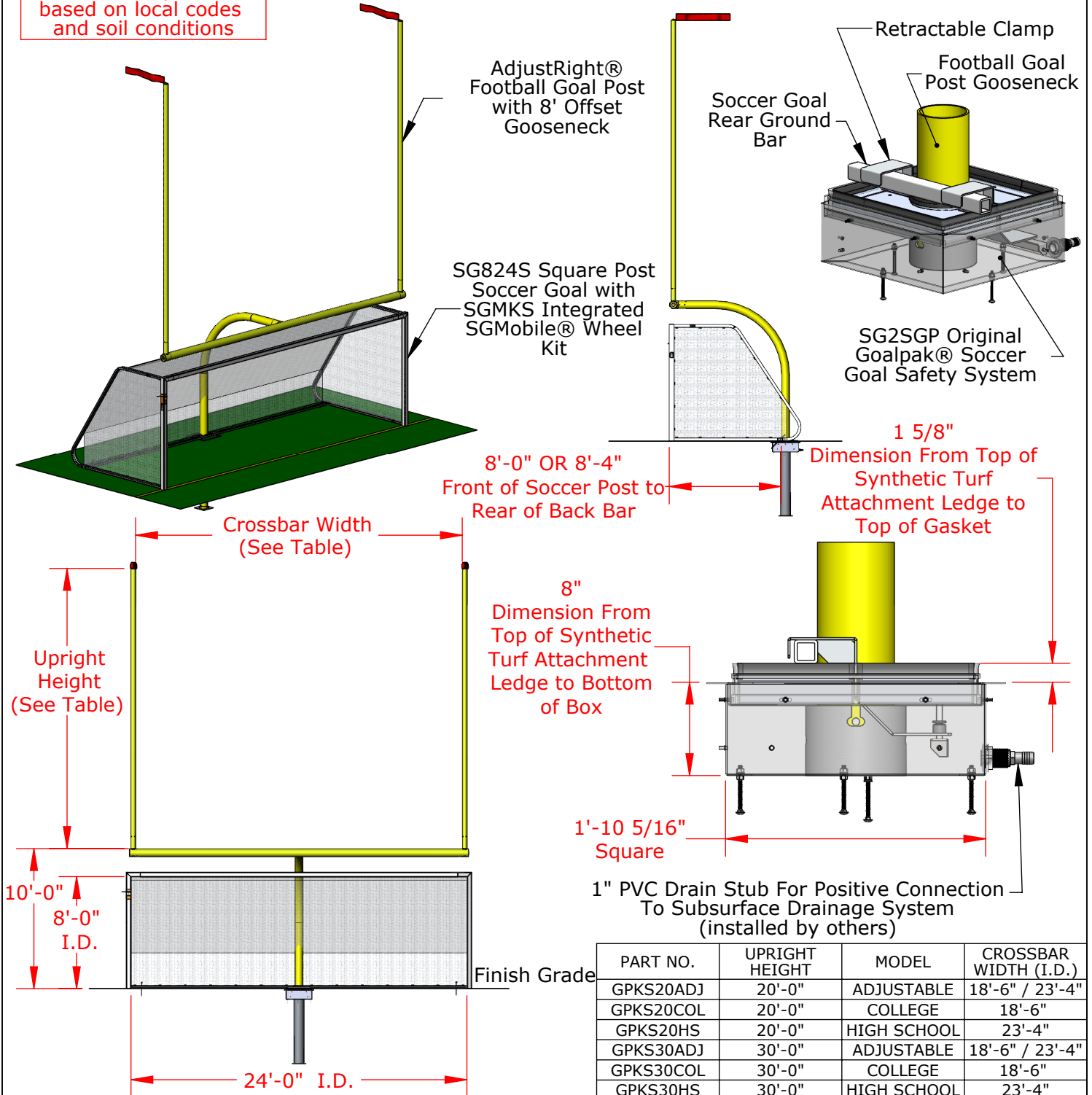
## GOALPAK® FOOTBALL / ROUND SOCCER GOAL SYSTEM, GROUND SLEEVE

Not To Scale

Sportsfield Specialties Inc 01032020

Foundation requirements based on local codes and soil conditions

Powder Coated Yellow or White Finish



PART NO.	UPRIGHT HEIGHT	MODEL	CROSSBAR WIDTH (I.D.)
GPKS20ADJ	20'-0"	ADJUSTABLE	18'-6" / 23'-4"
GPKS20COL	20'-0"	COLLEGE	18'-6"
GPKS20HS	20'-0"	HIGH SCHOOL	23'-4"
GPKS30ADJ	30'-0"	ADJUSTABLE	18'-6" / 23'-4"
GPKS30COL	30'-0"	COLLEGE	18'-6"
GPKS30HS	30'-0"	HIGH SCHOOL	23'-4"

PROPRIETARY AND CONFIDENTIAL

THE INFORMATION CONTAINED IN THIS DRAWING IS THE SOLE PROPERTY OF SPORTSFIELD SPECIALTIES INC. ANY REPRODUCTION IN PART OR AS A WHOLE WITHOUT THE WRITTEN PERMISSION OF SPORTSFIELD SPECIALTIES INC. IS PROHIBITED.

**GOALPAK® FOOTBALL / SQUARE SOCCER GOAL SYSTEM, GROUND SLEEVE**

Not To Scale

Sportsfield Specialties Inc 01032020



Foundation requirements based on local codes and soil conditions

Powder Coated Yellow or White Finish

AdjustRight® Football Goal Post with 8' Offset Gooseneck

SG824R Round Faced Soccer Goal with SGMKR Integrated SGMobile® Wheel Kit

Soccer Goal Rear Ground Bar

Retractable Clamp  
Football Goal post Gooseneck

SG2SGP Original Goalpak® Soccer Goal Safety System

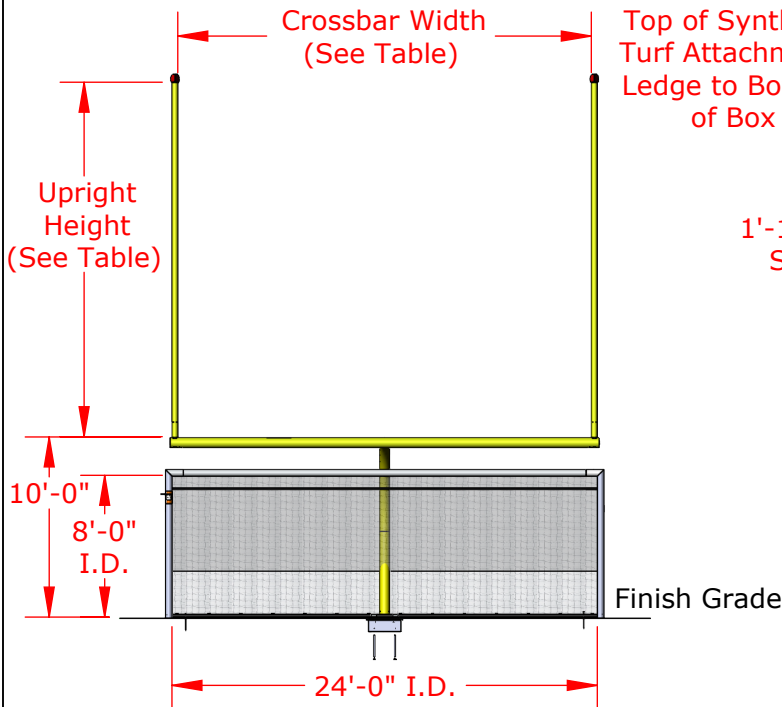
8'-0" OR 8'-4"  
Front of Soccer Post to Rear of Back Bar

1 5/8"  
Dimension From Top of Synthetic Turf Attachment Ledge to Top of Gasket

8"  
Dimension From Top of Synthetic Turf Attachment Ledge to Bottom of Box

1'-10 5/16"  
Square

1" PVC Drain Stub For Positive Connection To Subsurface Drainage System (installed by others)



PART NO.	UPRIGHT HEIGHT	MODEL	CROSSBAR WIDTH (I.D.)
GPKR20ADJPL	20'-0"	ADJUSTABLE	18'-6" / 23'-4"
GPKR20COLPL	20'-0"	COLLEGE	18'-6"
GPKR20HSPL	20'-0"	HIGH SCHOOL	23'-4"
GPKR30ADJPL	30'-0"	ADJUSTABLE	18'-6" / 23'-4"
GPKR30COLPL	30'-0"	COLLEGE	18'-6"
GPKR30HSPL	30'-0"	HIGH SCHOOL	23'-4"

PROPRIETARY AND CONFIDENTIAL

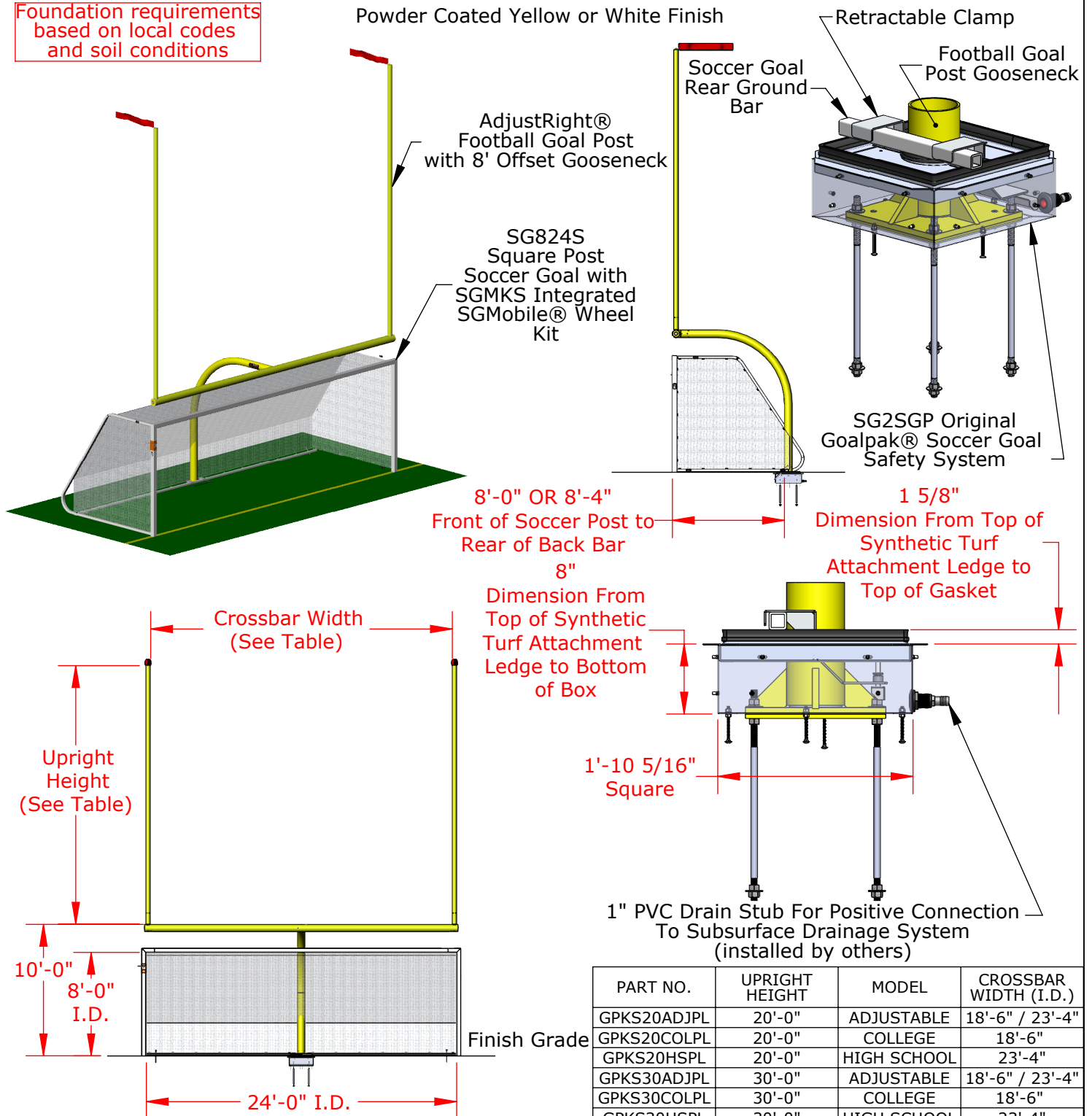
THE INFORMATION CONTAINED IN THIS DRAWING IS THE SOLE PROPERTY OF SPORTSFIELD SPECIALTIES INC. ANY REPRODUCTION IN PART OR AS A WHOLE WITHOUT THE WRITTEN PERMISSION OF SPORTSFIELD SPECIALTIES INC. IS PROHIBITED.

## GOALPAK® FOOTBALL / ROUND SOCCER GOAL SYSTEM, PLATE MOUNT

Not To Scale

Sportsfield Specialties Inc 01032020

Foundation requirements based on local codes and soil conditions



PART NO.	UPRIGHT HEIGHT	MODEL	CROSSBAR WIDTH (I.D.)
GPKS20ADJPL	20'-0"	ADJUSTABLE	18'-6" / 23'-4"
GPKS20COLPL	20'-0"	COLLEGE	18'-6"
GPKS20HSPL	20'-0"	HIGH SCHOOL	23'-4"
GPKS30ADJPL	30'-0"	ADJUSTABLE	18'-6" / 23'-4"
GPKS30COLPL	30'-0"	COLLEGE	18'-6"
GPKS30HSPL	30'-0"	HIGH SCHOOL	23'-4"

PROPRIETARY AND CONFIDENTIAL

THE INFORMATION CONTAINED IN THIS DRAWING IS THE SOLE PROPERTY OF SPORTSFIELD SPECIALTIES INC. ANY REPRODUCTION IN PART OR AS A WHOLE WITHOUT THE WRITTEN PERMISSION OF SPORTSFIELD SPECIALTIES INC. IS PROHIBITED.

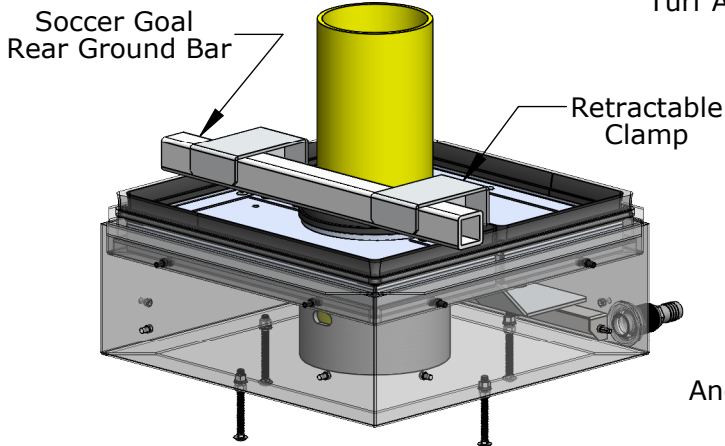
## GOALPAK® FOOTBALL / SQUARE SOCCER GOAL SYSTEM, PLATE MOUNT

Not To Scale

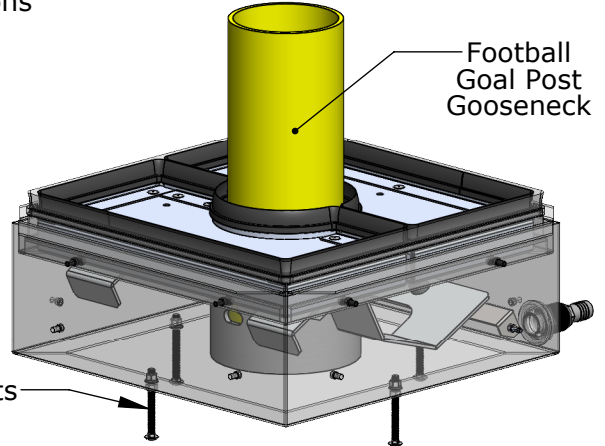
Sportsfield Specialties Inc 01032020



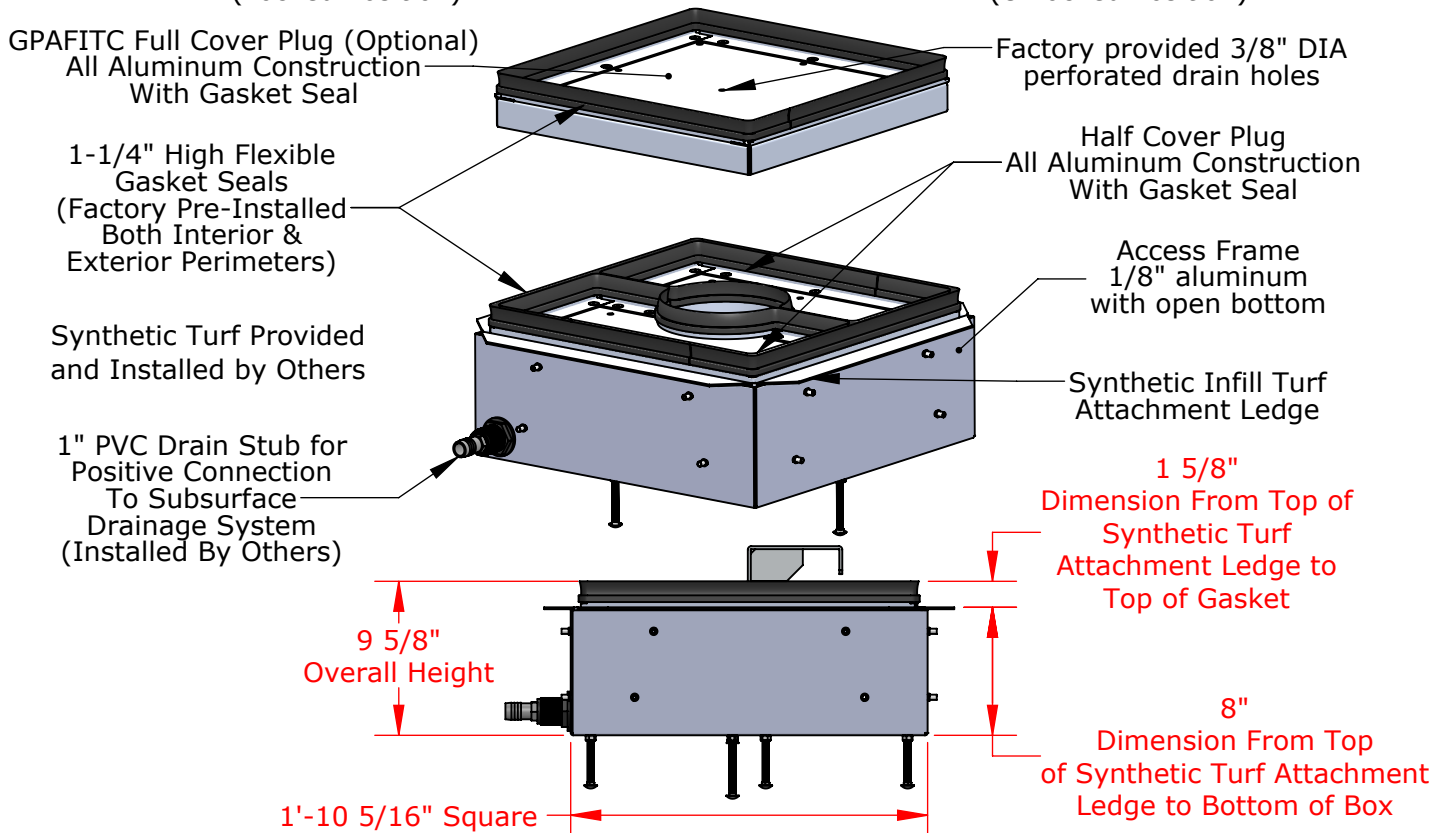
SG2SGP for use with Ground Sleeve or Plate Mount  
 AdjustRight® Football Goal Posts Installed in Synthetic  
 Turf Applications



SG2SGP Soccer Goal Safety System  
 for use with Original GoalPak®  
 (Locked Position)



SG2SGP Soccer Goal Safety System  
 for use with Original GoalPak®  
 (Unlocked Position)



United States Patent #7,331,880, Issued February 19, 2008  
 United States Patent #7,527,569, Issued May 5, 2009  
 United States Patent #8,172,705, Issued May 8, 2012  
 United States Patent #8,777,784, Issued July 15, 2014

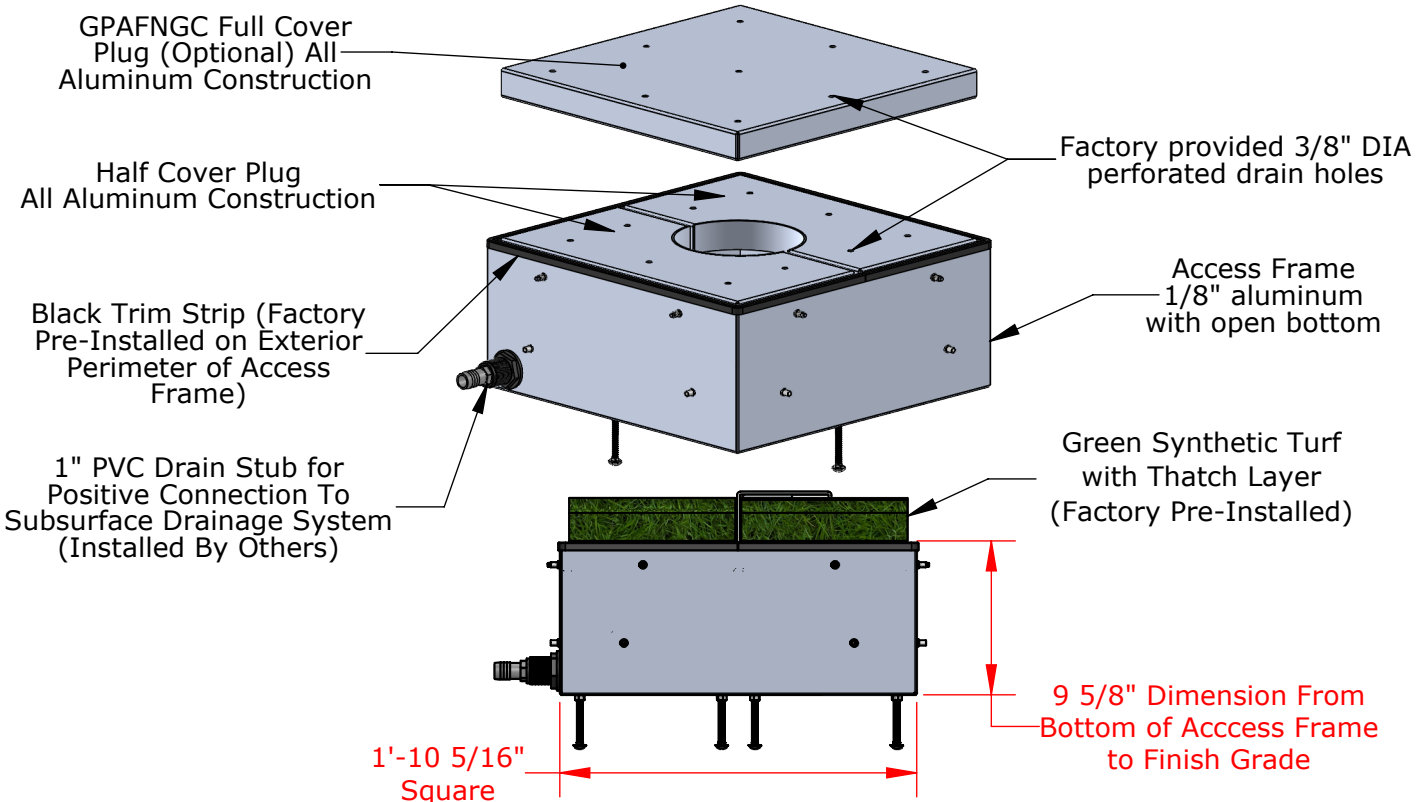
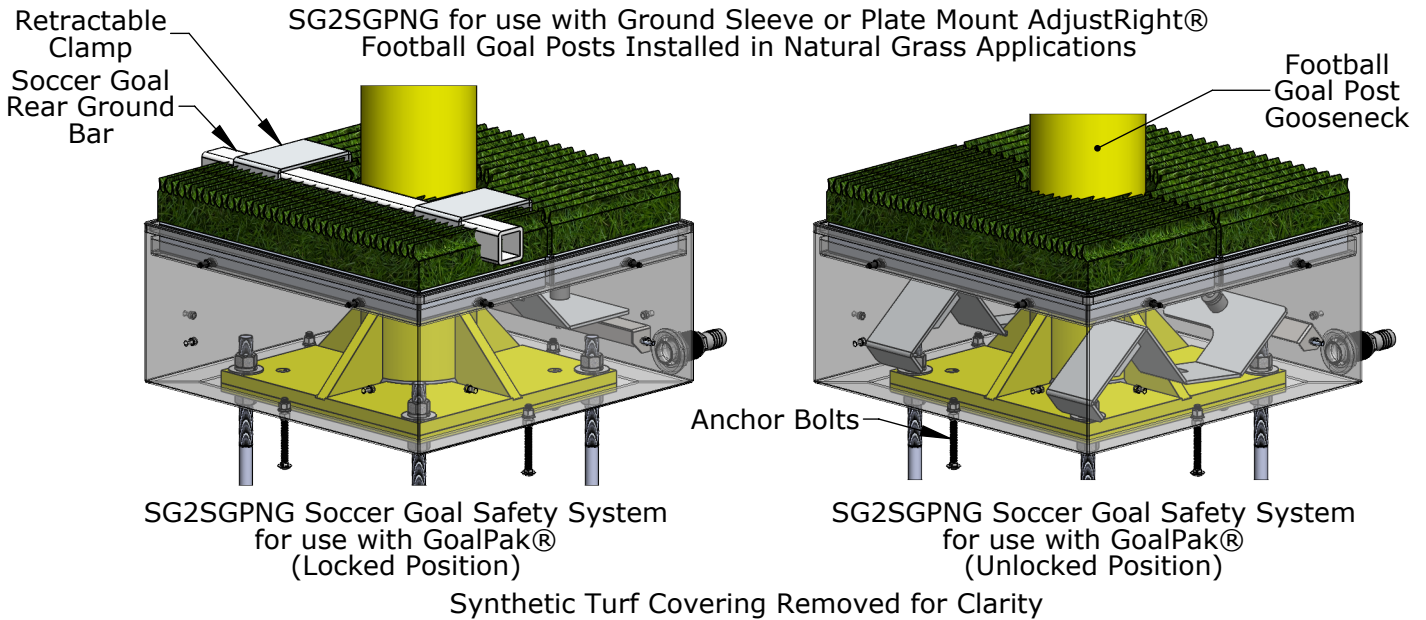
PROPRIETARY AND CONFIDENTIAL

THE INFORMATION CONTAINED IN THIS DRAWING IS THE SOLE PROPERTY OF SPORTSFIELD SPECIALTIES INC. ANY REPRODUCTION IN PART OR AS A WHOLE WITHOUT THE WRITTEN PERMISSION OF SPORTSFIELD SPECIALTIES INC. IS PROHIBITED.

**SG2SGP Original GoalPak® Soccer Goal Safety System  
 With Infill Retainer System for Synthetic Turf Applications**

Not To Scale

Sportsfield Specialties Inc 01292020



United States Patent #7,331,880, Issued February 19, 2008  
 United States Patent #7,527,569, Issued May 5, 2009  
 United States Patent #8,172,705, Issued May 8, 2012  
 United States Patent #8,777,784, Issued July 15, 2014

**PROPRIETARY AND CONFIDENTIAL**

THE INFORMATION CONTAINED IN THIS DRAWING IS THE SOLE PROPERTY OF SPORTSFIELD SPECIALTIES INC. ANY REPRODUCTION IN PART OR AS A WHOLE WITHOUT THE WRITTEN PERMISSION OF SPORTSFIELD SPECIALTIES INC. IS PROHIBITED.

**SG2SGPNG (SG2SGPPW) GoalPak® Soccer Goal Safety System for Natural Grass Applications**

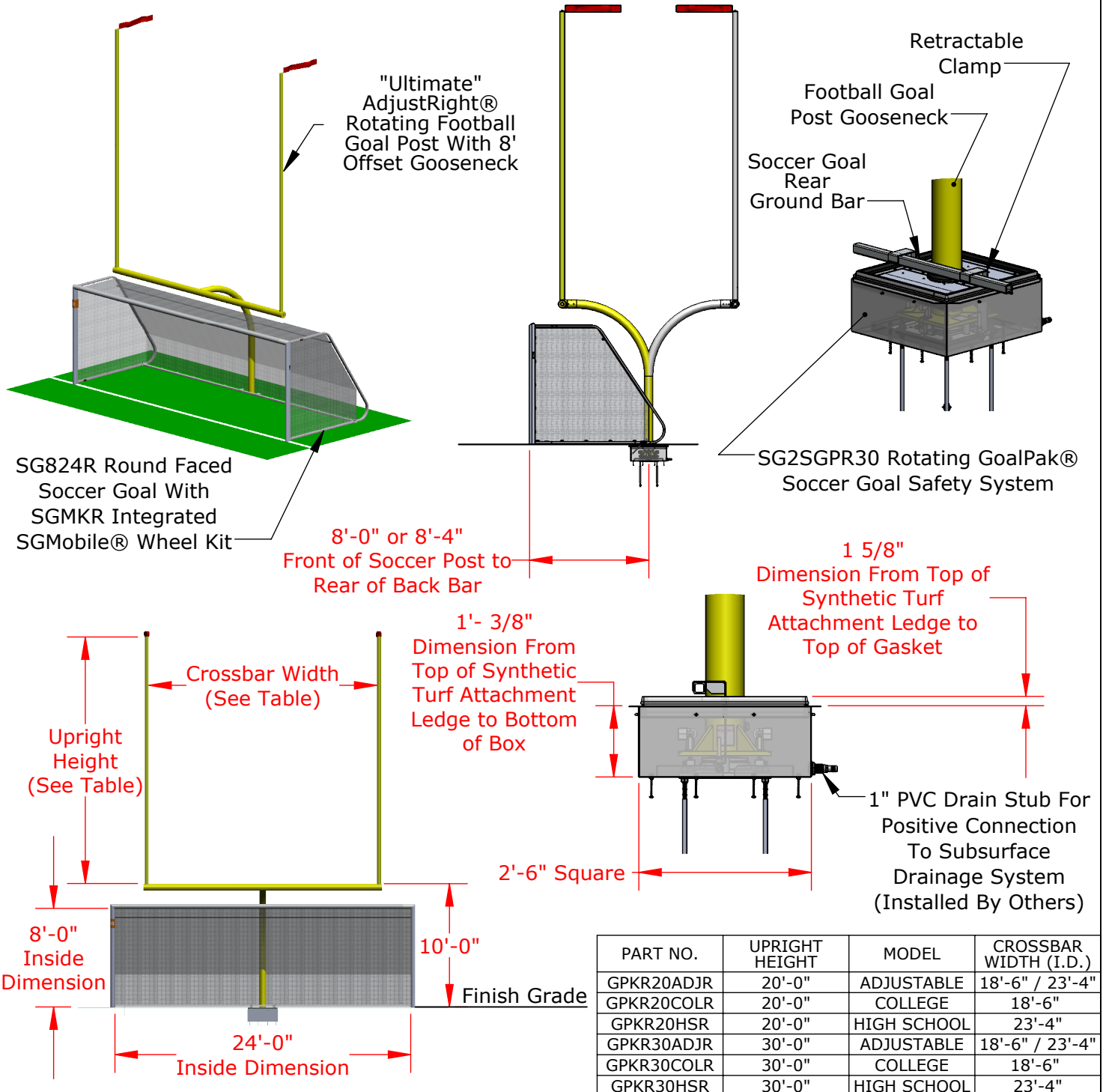
Not To Scale

Sportsfield Specialties Inc 01132020



Foundation requirements based on local codes and soil conditions

Powder Coated Yellow or White Finish



**PROPRIETARY AND CONFIDENTIAL**

THE INFORMATION CONTAINED IN THIS DRAWING IS THE SOLE PROPERTY OF SPORTSFIELD SPECIALTIES INC. ANY REPRODUCTION IN PART OR AS A WHOLE WITHOUT THE WRITTEN PERMISSION OF SPORTSFIELD SPECIALTIES INC. IS PROHIBITED.

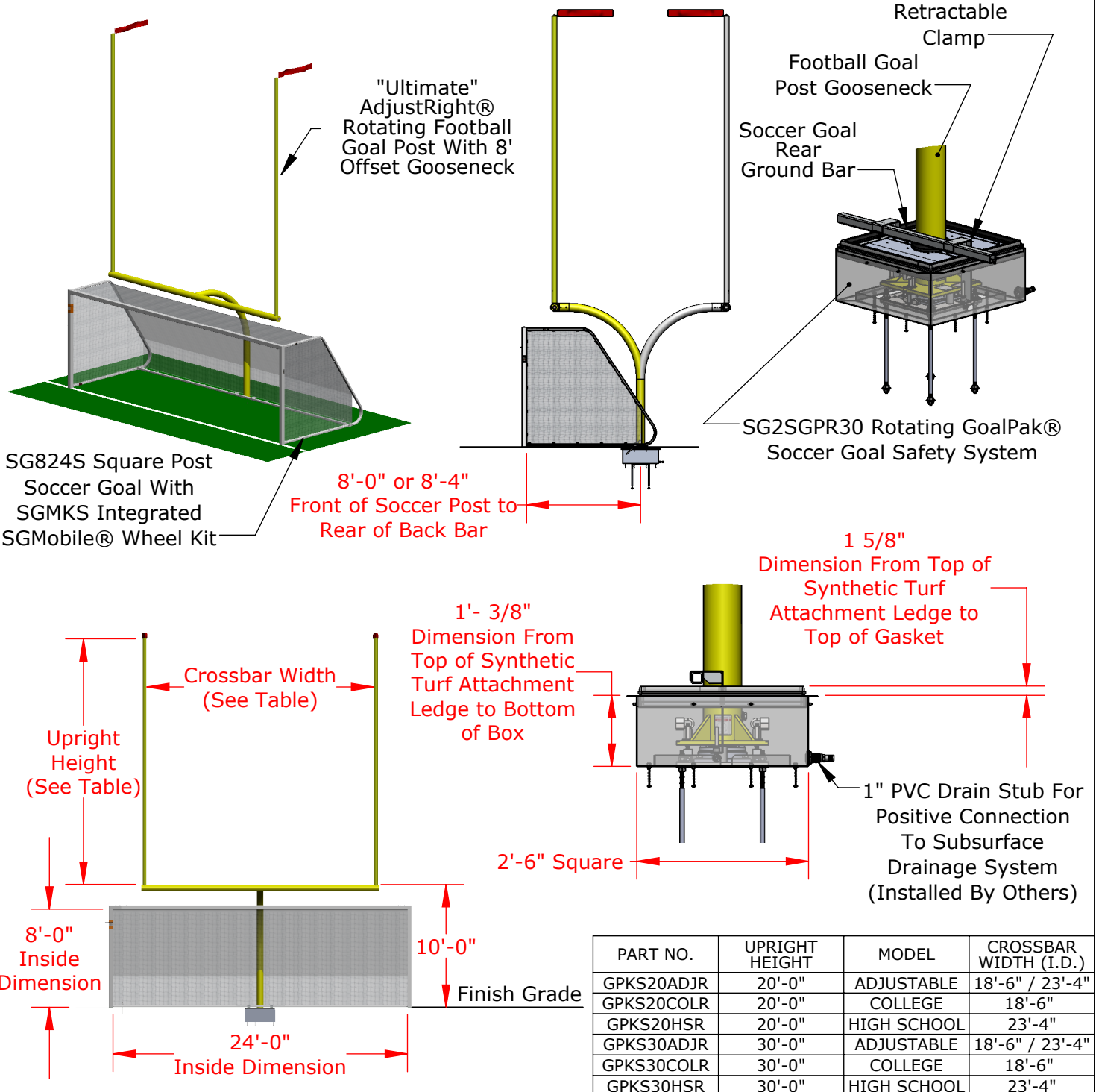
## Rotating GoalPak® Football / Round Soccer Goal System, Plate Mount

Not To Scale

Sportsfield Specialties Inc 05132022

Foundation requirements based on local codes and soil conditions

Powder Coated Yellow or White Finish



**PROPRIETARY AND CONFIDENTIAL**

THE INFORMATION CONTAINED IN THIS DRAWING IS THE SOLE PROPERTY OF SPORTSFIELD SPECIALTIES INC. ANY REPRODUCTION IN PART OR AS A WHOLE WITHOUT THE WRITTEN PERMISSION OF SPORTSFIELD SPECIALTIES INC. IS PROHIBITED.

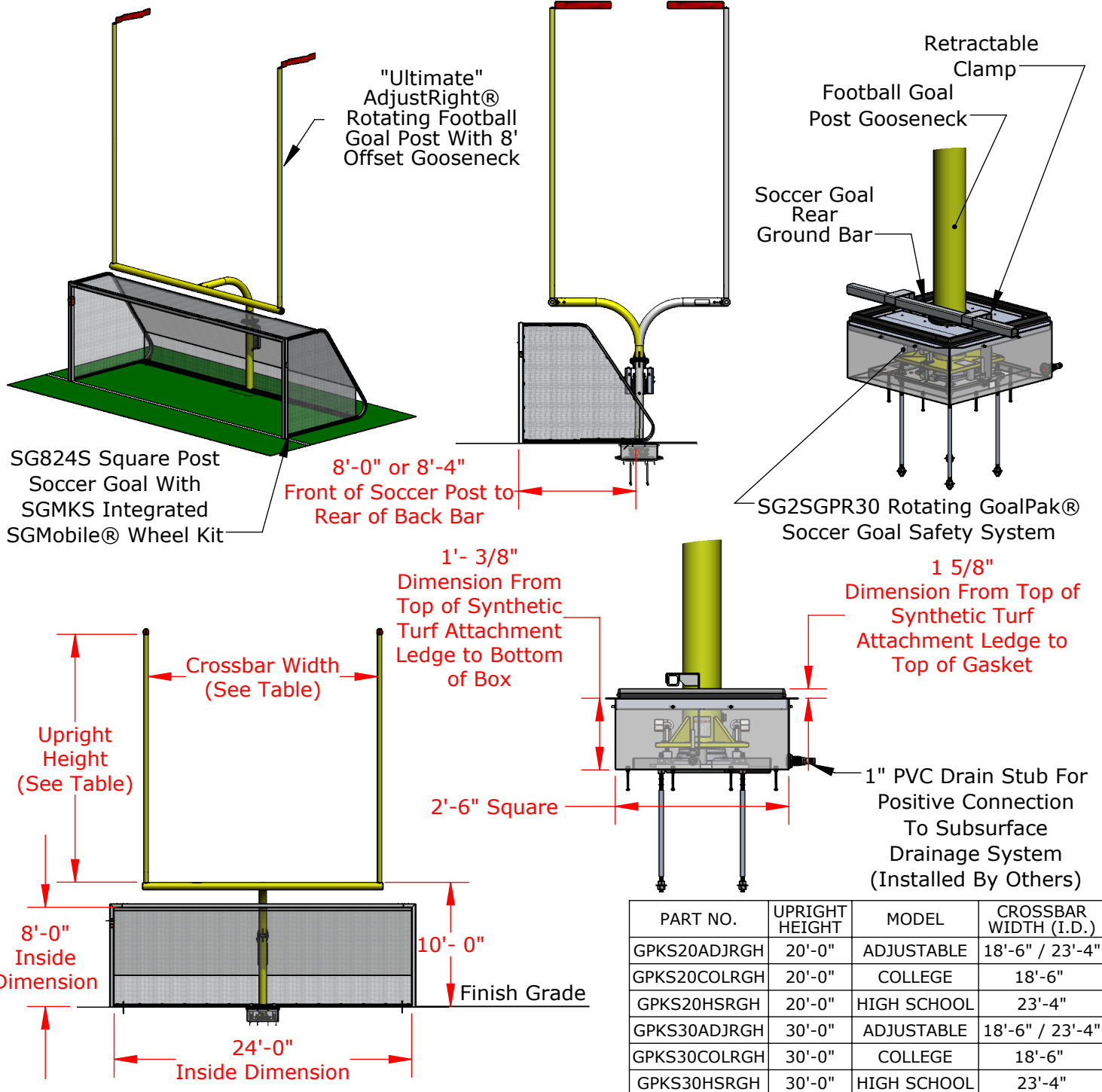
## Rotating GoalPak® Football / Square Soccer Goal System, Plate Mount

Not To Scale

Sportsfield Specialties Inc 05132022

Foundation requirements based on local codes and soil conditions

Powder Coated Yellow or White Finish



**PROPRIETARY AND CONFIDENTIAL**

THE INFORMATION CONTAINED IN THIS DRAWING IS THE SOLE PROPERTY OF SPORTSFIELD SPECIALTIES INC. ANY REPRODUCTION IN PART OR AS A WHOLE WITHOUT THE WRITTEN PERMISSION OF SPORTSFIELD SPECIALTIES INC. IS PROHIBITED.

## Rotating Gooseneck Hinged GoalPak® Football / Square Soccer Goal System

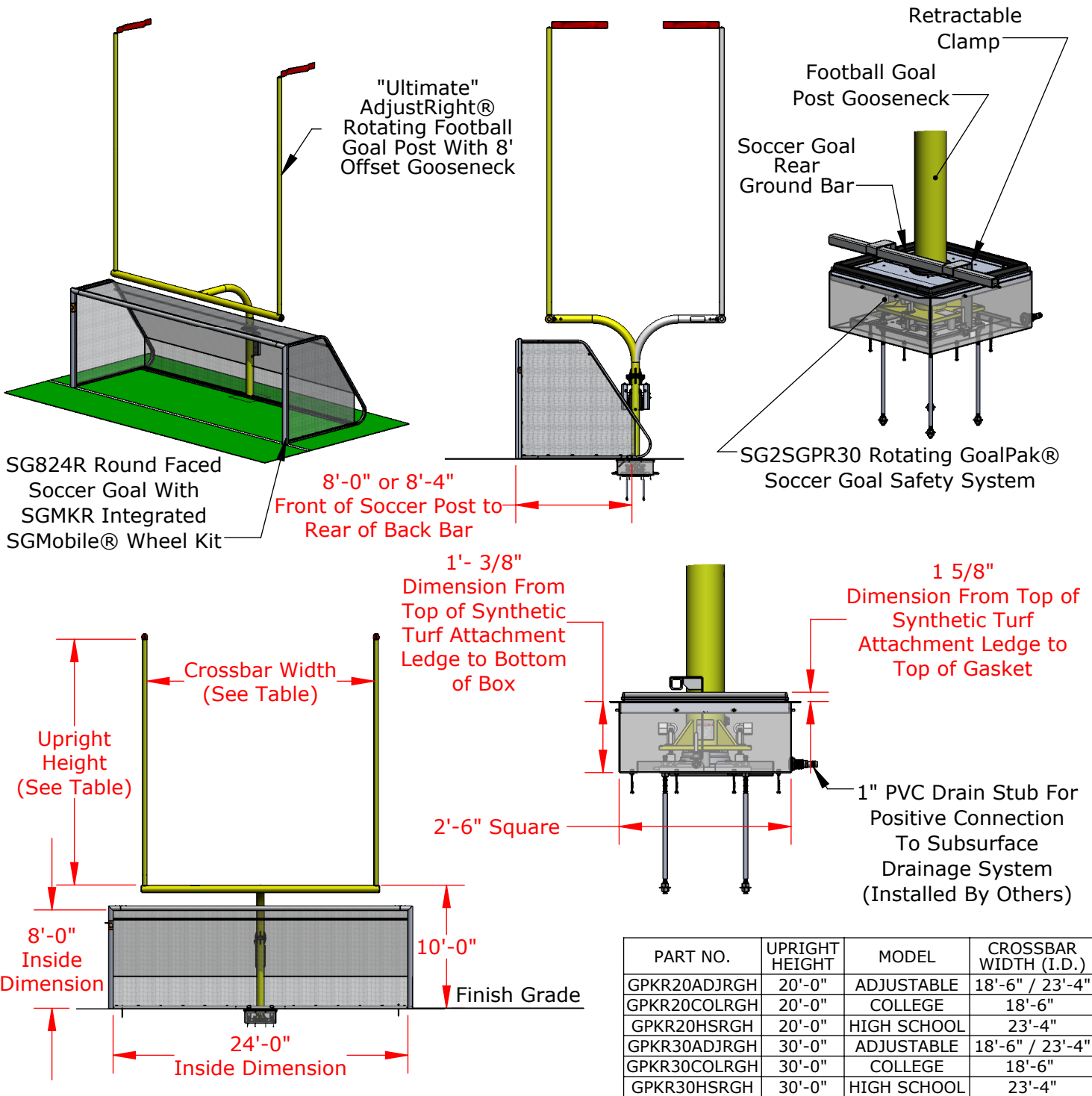
Not To Scale

Sportsfield Specialties Inc 06102022



Foundation requirements based on local codes and soil conditions

Powder Coated Yellow or White Finish



PROPRIETARY AND CONFIDENTIAL

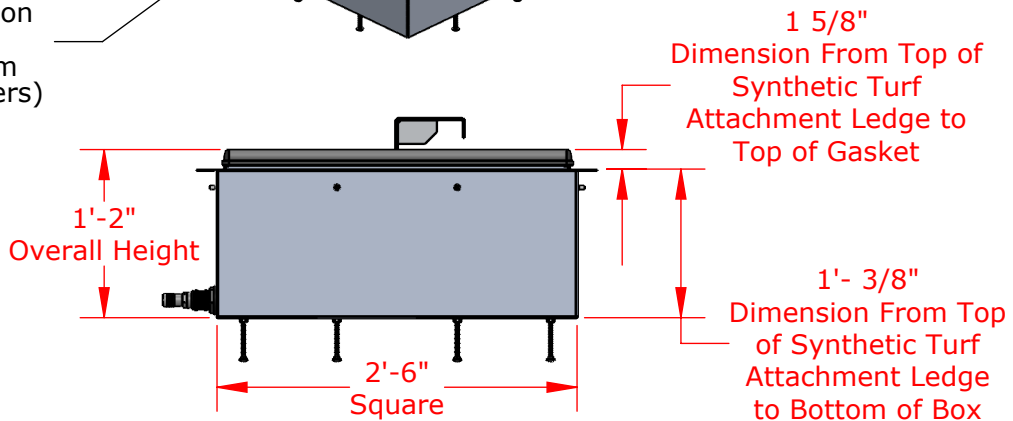
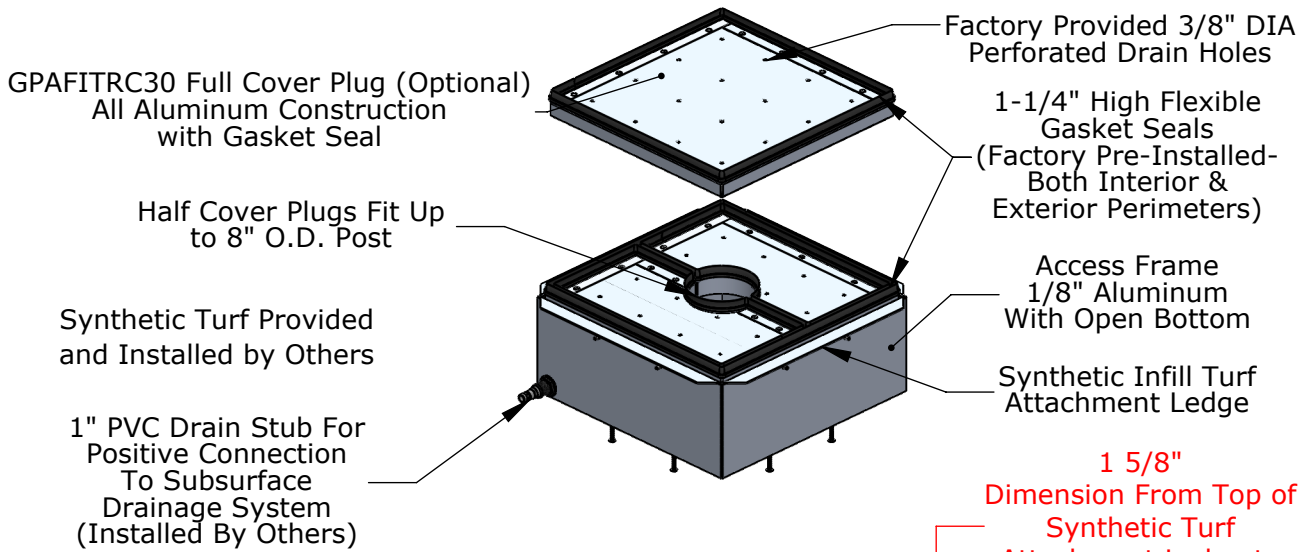
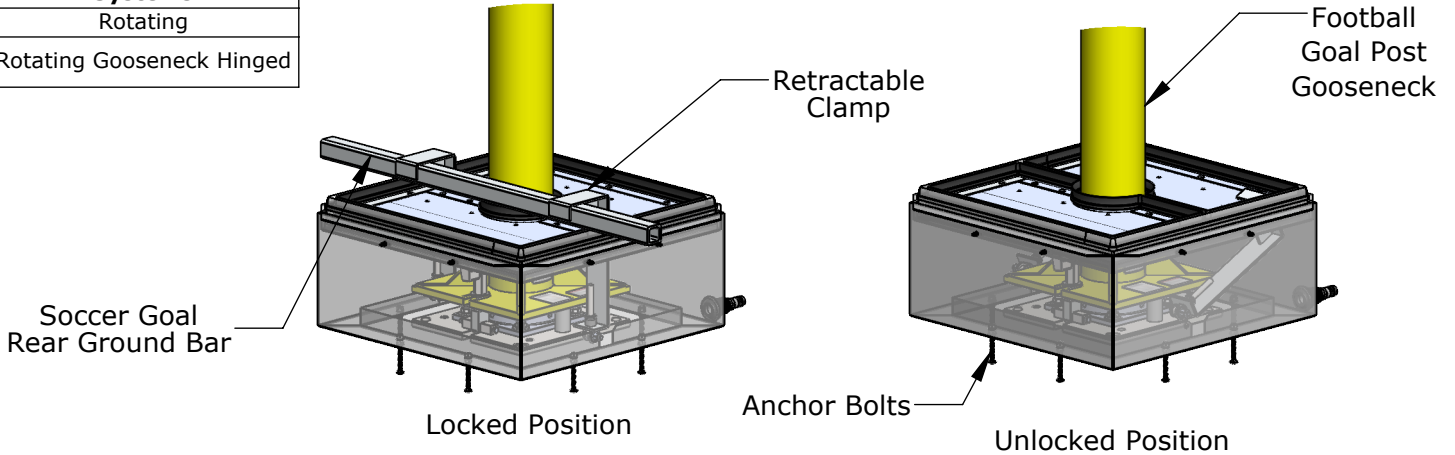
THE INFORMATION CONTAINED IN THIS DRAWING IS THE SOLE PROPERTY OF SPORTSFIELD SPECIALTIES INC. ANY REPRODUCTION IN PART OR AS A WHOLE WITHOUT THE WRITTEN PERMISSION OF SPORTSFIELD SPECIALTIES INC. IS PROHIBITED.

## Rotating Gooseneck Hinged GoalPak® Football / Round Soccer Goal System

Not To Scale

Sportsfield Specialties Inc 06102022

<b>Applicable Goal Post Systems</b>
Rotating
Rotating Gooseneck Hinged



United States Patent #7,331,880, Issued February 19, 2008  
 United States Patent #7,527,569, Issued May 5, 2009  
 United States Patent #8,172,705, Issued May 8, 2012  
 United States Patent #8,777,784, Issued July 15, 2014

**PROPRIETARY AND CONFIDENTIAL**

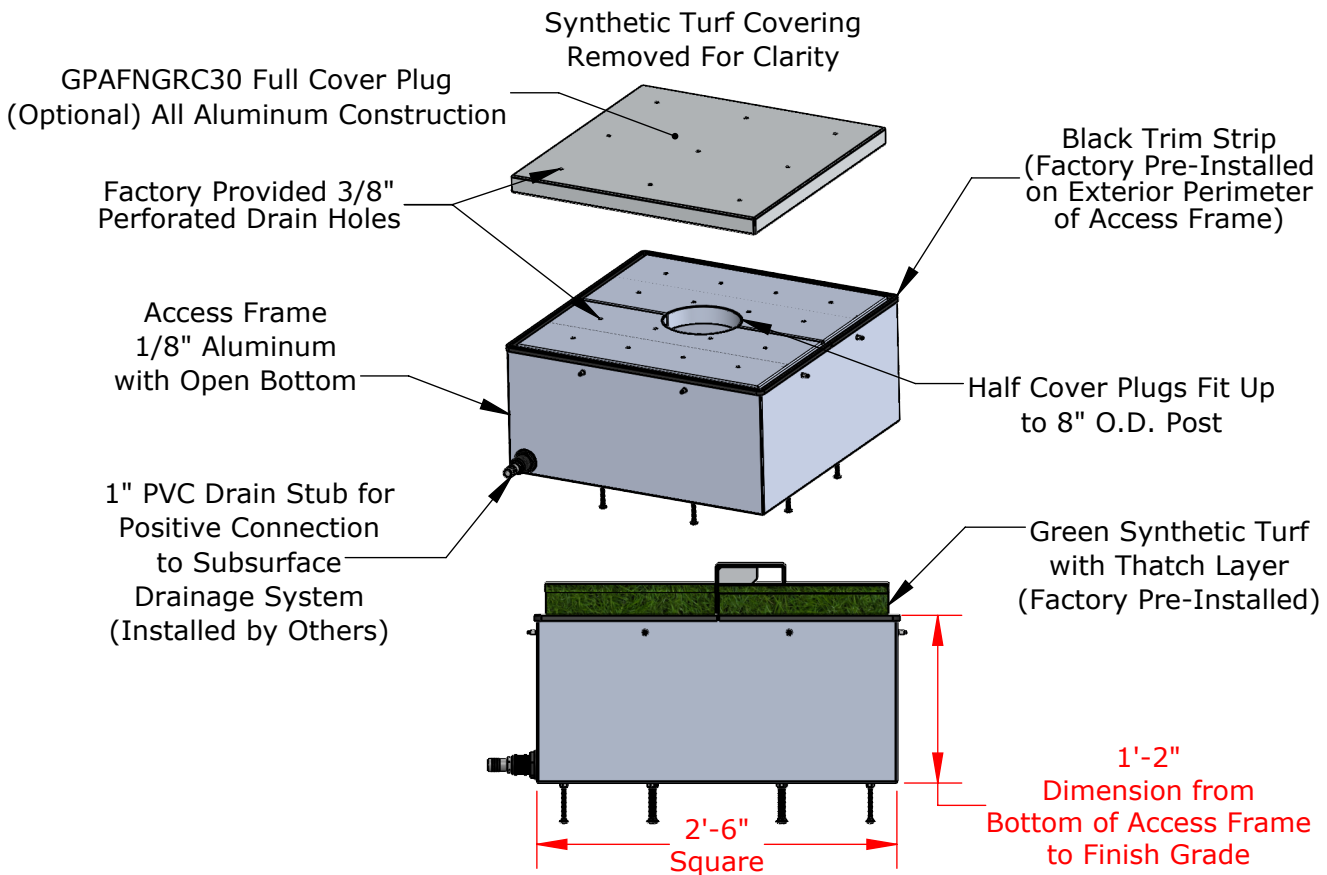
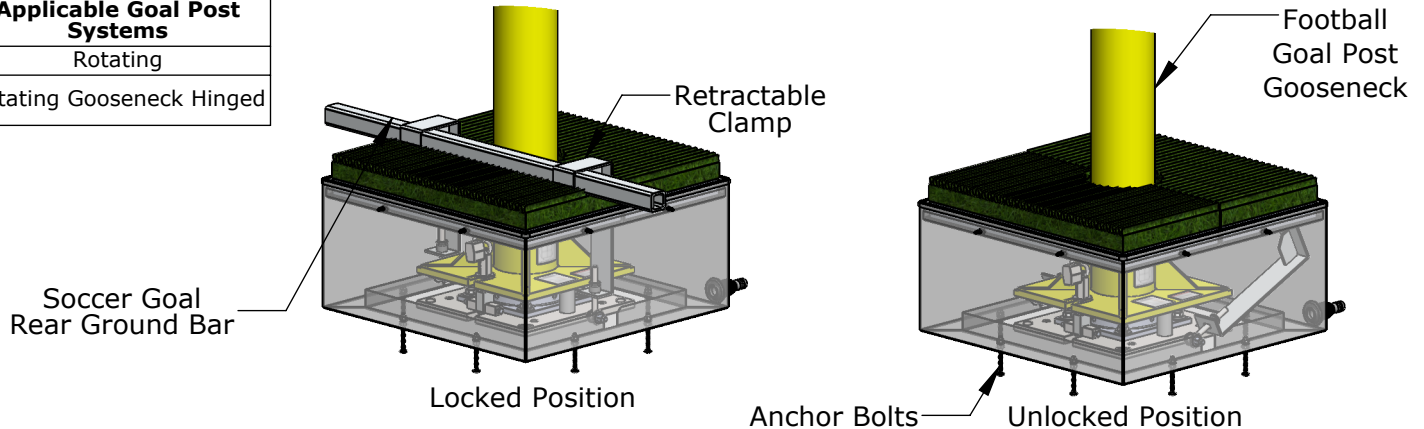
THE INFORMATION CONTAINED IN THIS DRAWING IS THE SOLE PROPERTY OF SPORTSFIELD SPECIALTIES INC. ANY REPRODUCTION IN PART OR AS A WHOLE WITHOUT THE WRITTEN PERMISSION OF SPORTSFIELD SPECIALTIES INC. IS PROHIBITED.

**SG2SGPR30 GoalPak® Soccer Goal Safety System  
 With Infill Retainer System for Synthetic Turf Applications**

Not To Scale

Sportsfield Specialties Inc 05132022

<b>Applicable Goal Post Systems</b>
Rotating
Rotating Gooseneck Hinged



United States Patent #7,331,880, Issued February 19, 2008  
 United States Patent #7,527,569, Issued May 5, 2009  
 United States Patent #8,172,705, Issued May 8, 2012  
 United States Patent #8,777,784, Issued July 15, 2014

**PROPRIETARY AND CONFIDENTIAL**

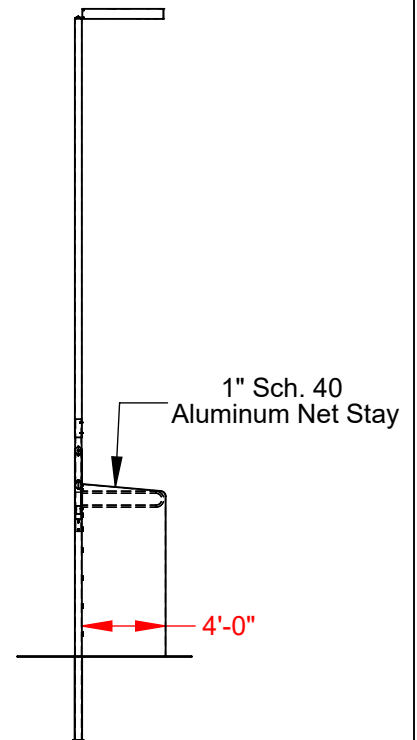
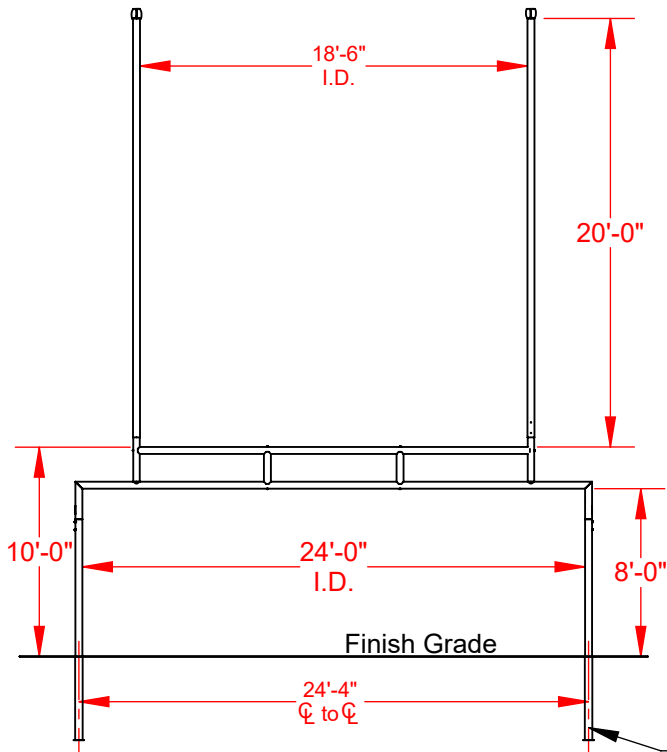
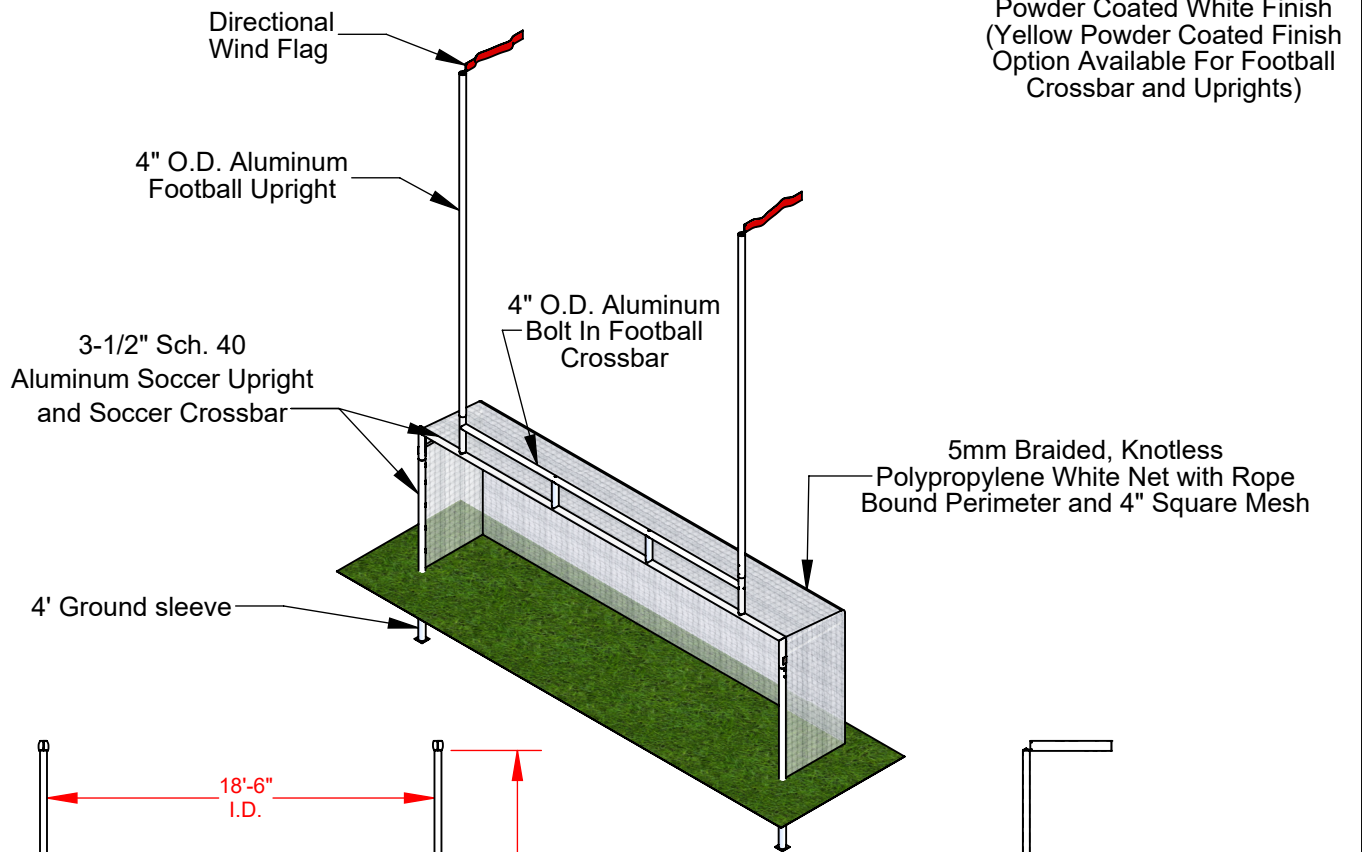
THE INFORMATION CONTAINED IN THIS DRAWING IS THE SOLE PROPERTY OF SPORTSFIELD SPECIALTIES INC. ANY REPRODUCTION IN PART OR AS A WHOLE WITHOUT THE WRITTEN PERMISSION OF SPORTSFIELD SPECIALTIES INC. IS PROHIBITED.

**SG2SGPRNG30 GoalPak®**  
**Soccer Goal Safety System for Natural Grass Applications**

Not To Scale

Sportsfield Specialties Inc 05132022





See Installation Instructions for required ground sleeve implementation.

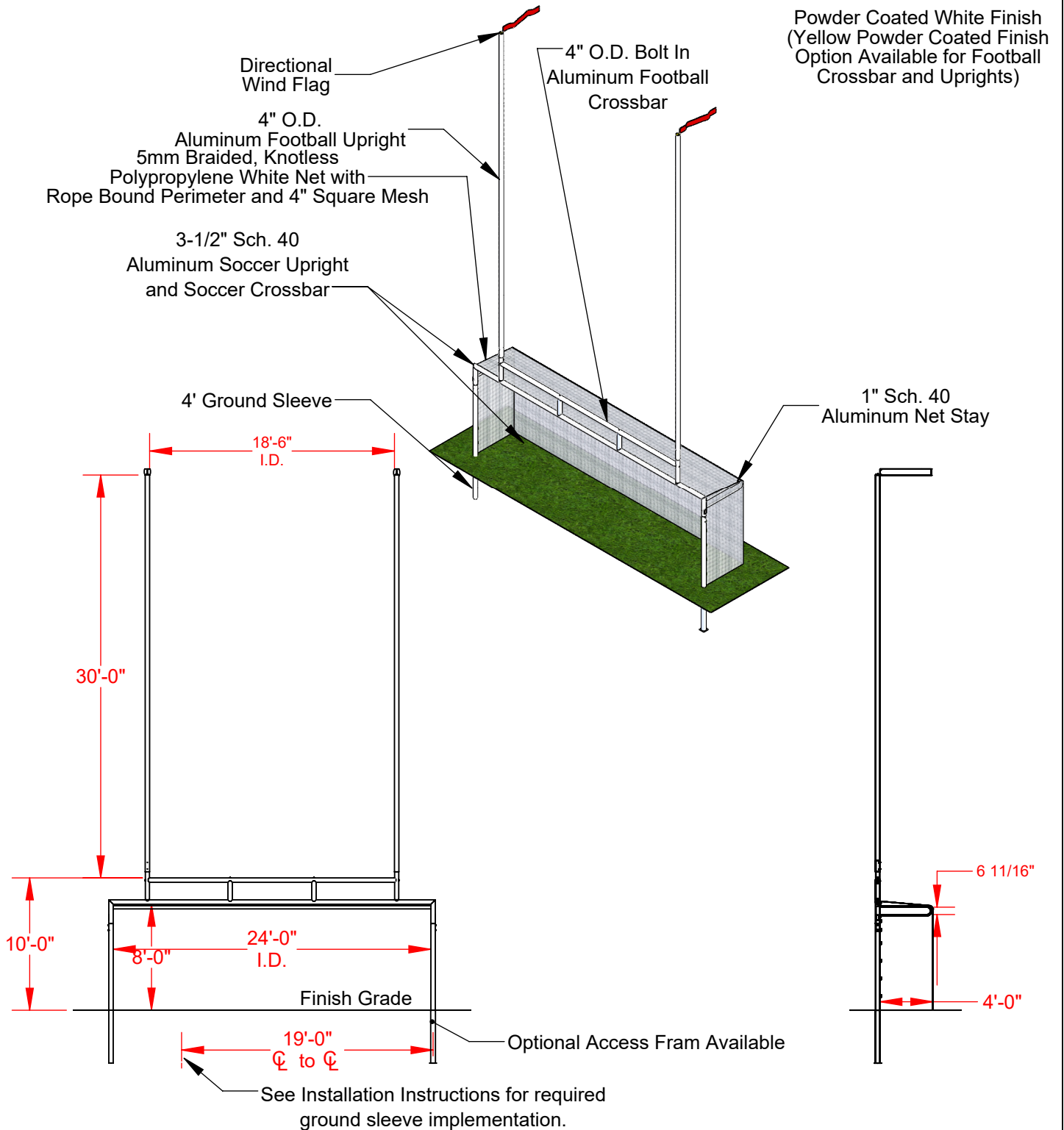
**PROPRIETARY AND CONFIDENTIAL**

THE INFORMATION CONTAINED IN THIS DRAWING IS THE SOLE PROPERTY OF SPORTSFIELD SPECIALTIES INC. ANY REPRODUCTION IN PART OR AS A WHOLE WITHOUT THE WRITTEN PERMISSION OF SPORTSFIELD SPECIALTIES INC. IS PROHIBITED.

**GPHC20COL (GP700) Combination "H" Style College Football/Soccer Goal**

Not To Scale

Sportsfield Specialties Inc 104213.2-221209



**PROPRIETARY AND CONFIDENTIAL**

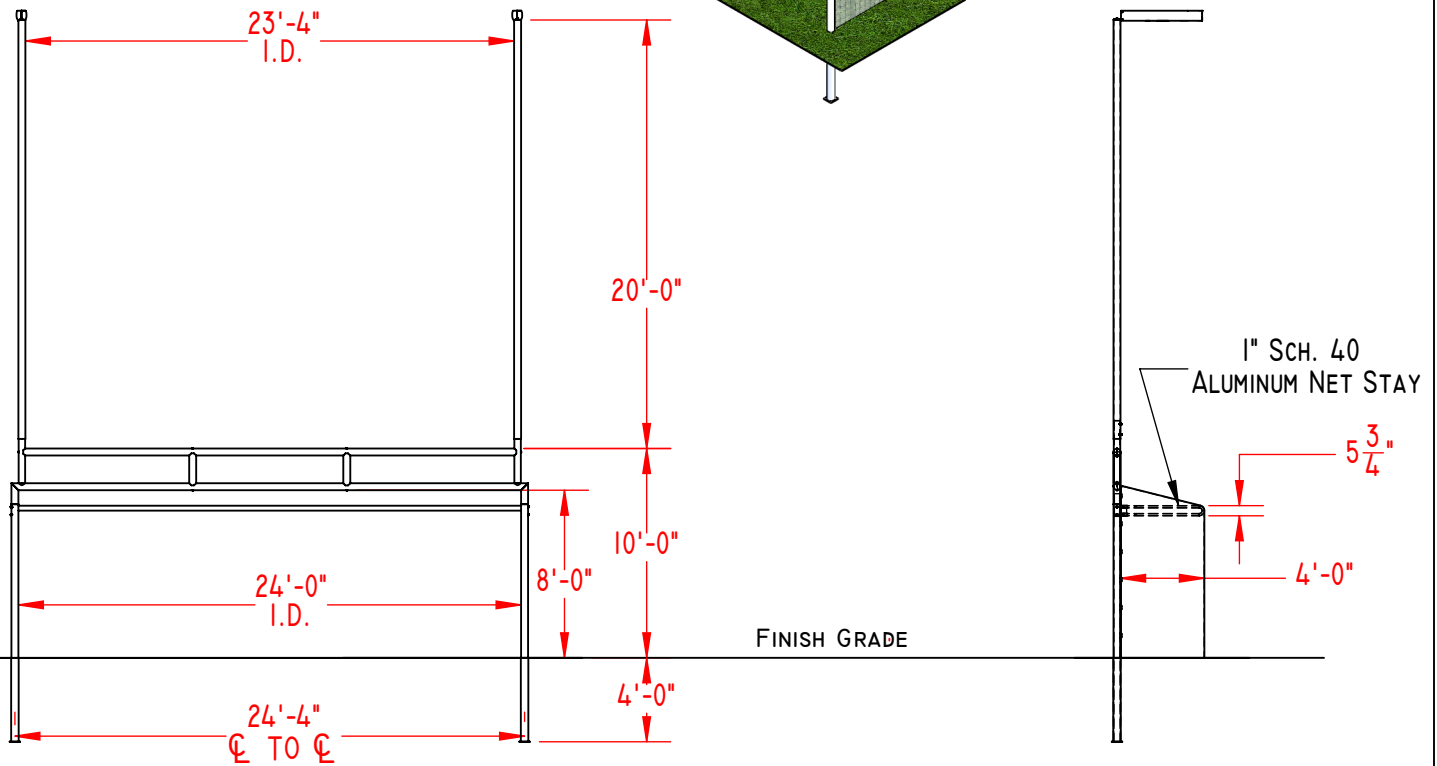
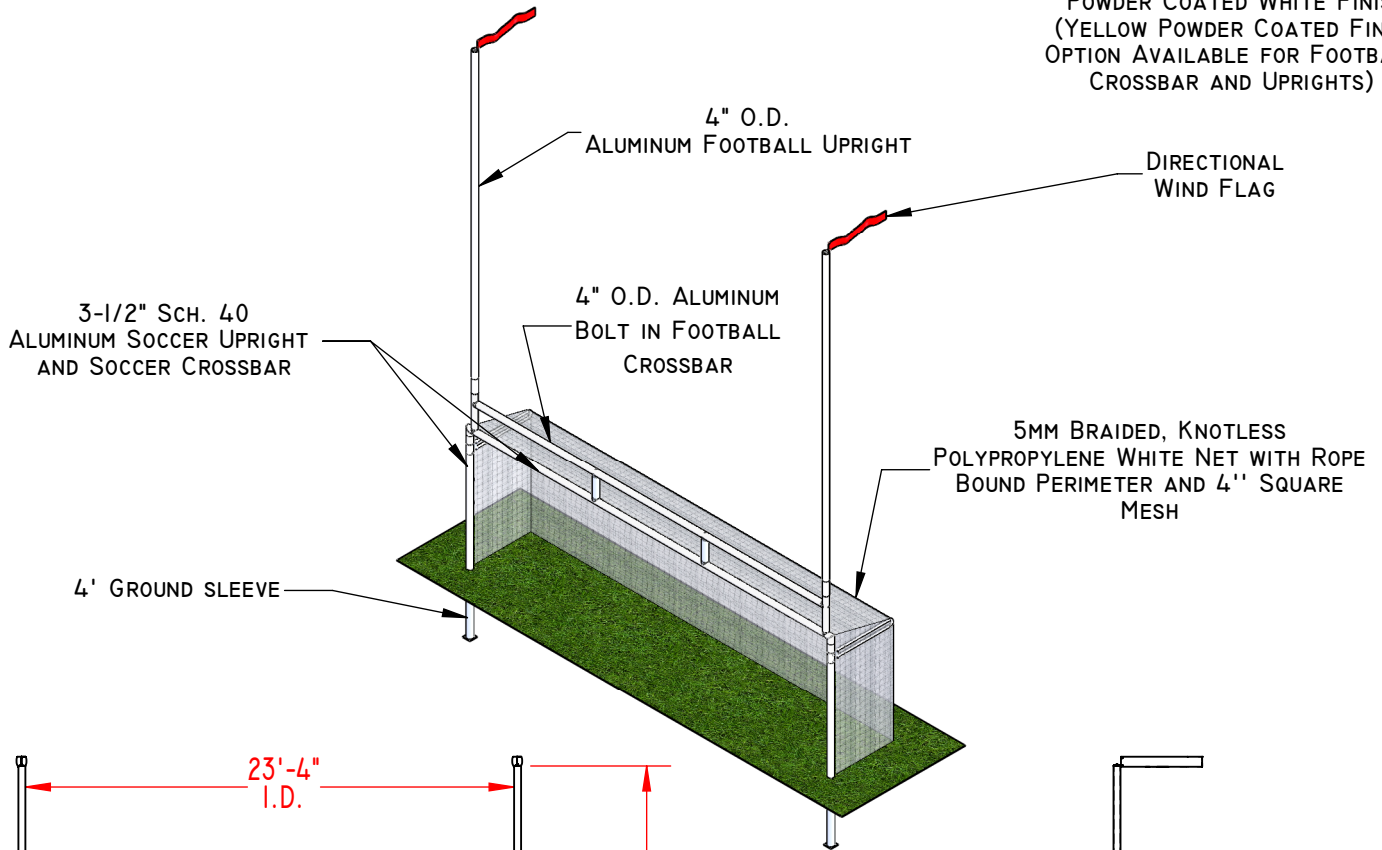
THE INFORMATION CONTAINED IN THIS DRAWING IS THE SOLE PROPERTY OF SPORTSFIELD SPECIALTIES INC. ANY REPRODUCTION IN PART OR AS A WHOLE WITHOUT THE WRITTEN PERMISSION OF SPORTSFIELD SPECIALTIES INC. IS PROHIBITED.

**GPHC30COL (GP703) Combination "H" Style College Football/Soccer Goal**

Not To Scale

Sportsfield Specialties Inc 204215.2-221209

POWDER COATED WHITE FINISH  
 (YELLOW POWDER COATED FINISH  
 OPTION AVAILABLE FOR FOOTBALL  
 CROSSBAR AND UPRIGHTS)



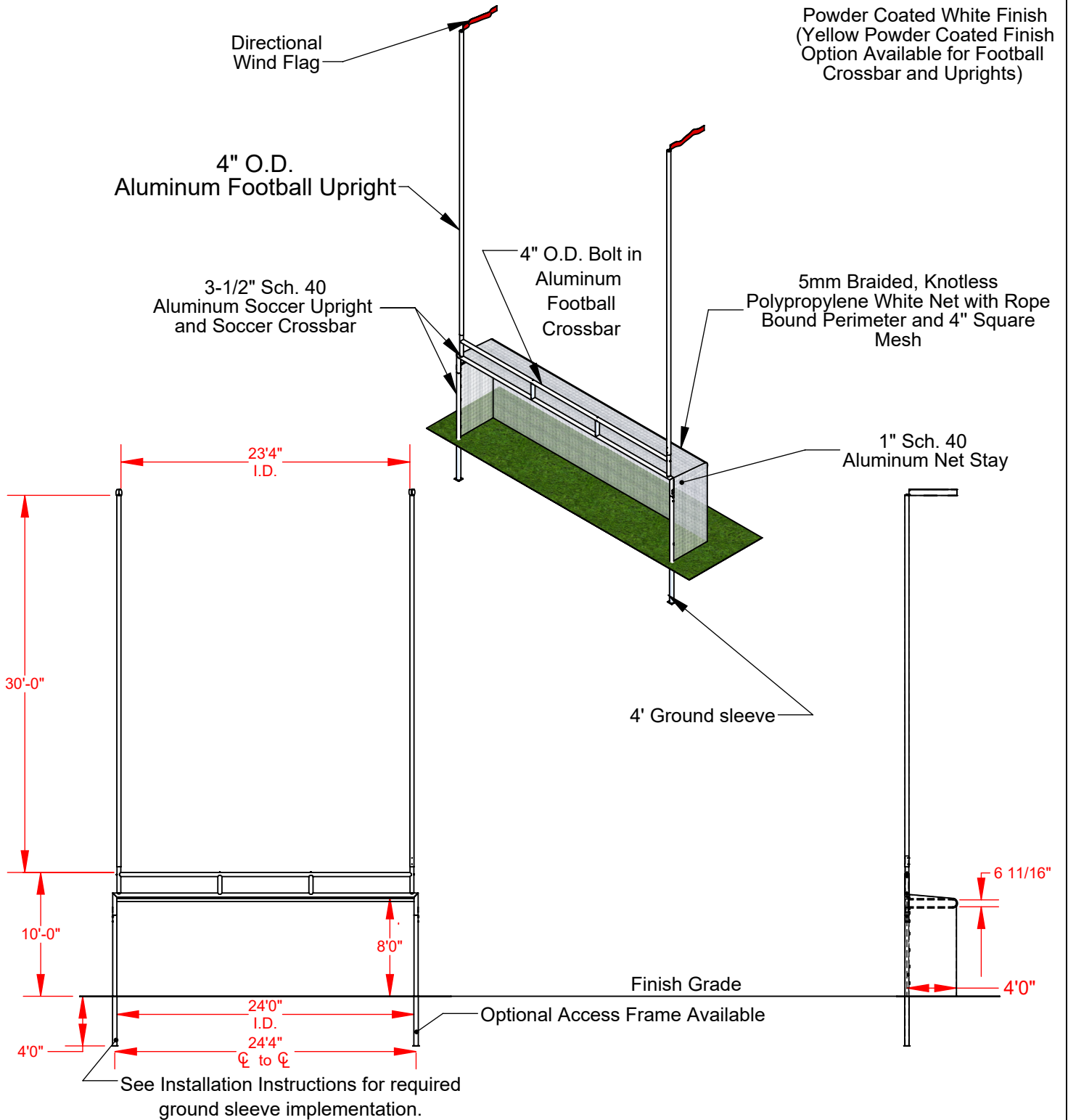
**PROPRIETARY AND CONFIDENTIAL**  
 THE INFORMATION CONTAINED IN THIS DRAWING IS THE SOLE PROPERTY OF SPORTSFIELD SPECIALTIES INC. ANY REPRODUCTION IN PART OR AS A WHOLE WITHOUT THE WRITTEN PERMISSION OF SPORTSFIELD SPECIALTIES INC. IS PROHIBITED.

**GPHC20HS (GP4900) COMBINATION "H" STYLE  
 HIGH SCHOOL FOOTBALL/SOCCER GOAL**

NOT TO SCALE

SPORTSFIELD SPECIALTIES INC 0718/2017





**PROPRIETARY AND CONFIDENTIAL**

THE INFORMATION CONTAINED IN THIS DRAWING IS THE SOLE PROPERTY OF SPORTSFIELD SPECIALTIES INC. ANY REPRODUCTION IN PART OR AS A WHOLE WITHOUT THE WRITTEN PERMISSION OF SPORTSFIELD SPECIALTIES INC. IS PROHIBITED.

# GPHC30HS (GP4903) Combination "H" Style High School Football/Soccer Goal

Not To Scale

Sportsfield Specialties Inc 104216.2-221209