

# SPORTSFIELD SPECIALTIES

www.sportsfield.com | 888-975-3343

*Excellence from  
Design to Installation*



**Team Benches**



Sportsfield Specialties, Inc. 41155 State Hwy 10. Delhi, NY 13753



## Aluminum Team Benches

### Product Overview

- Durable powder coat finish offered in a variety of standard colors
- Single-tier models available in standard 8', 10', 12', and 15' lengths
- Two-tier models with black mat seat available in 8', 10', and 12' lengths
- Two-tier benches designed with replaceable black mat surface seat
- No assembly required
- Variety of standard styles offered
- Custom sizes and designs available upon request



**Built To Your Needs & Specifications**

### Two-Tier Aluminum Black Mat Team Benches

Item Number	Product Description
ATBTTBM8	Two-tier aluminum black mat team bench, permanent or portable - 8'L
ATBTTWMBM8	Two-tier aluminum black mat team benches, wall mount - 8'L
ATBTTBM10	Two-tier aluminum black mat team bench, permanent or portable - 10'L
ATBTTWMBM10	Two-tier aluminum black mat team bench, wall mount - 10'L
ATBTTBM12	Two-tier aluminum black mat team bench, permanent or portable - 12'L
ATBTTWMBM12	Two-tier aluminum black mat team bench, wall mount - 12'L

### Single-Tier Aluminum Team Benches

Item Number	Product Description
ATBNBPT8	Single-tier aluminum team bench, portable - 8'L
ATBBRPT8	Single-tier aluminum team bench, portable with backrest - 8'L
ATBNBSP8	Single-tier aluminum team bench, permanent - 8'L
ATBBRSP8	Single-tier aluminum team bench, permanent with backrest - 8'L
ATBNBPT10	Single-tier aluminum team bench, portable - 10'L
ATBBRPT10	Single-tier aluminum team bench, portable with backrest - 10'L
ATBNBSP10	Single-tier aluminum team bench, permanent - 10'L
ATBBRSP10	Single-tier aluminum team bench, permanent with backrest - 10'L
ATBNBPT12	Single-tier aluminum team bench, portable - 12'L
ATBBRPT12	Single-tier aluminum team bench, portable with backrest - 12'L
ATBNBSP12	Single-tier aluminum team bench, permanent - 12'L
ATBBRSP12	Single-tier aluminum team bench, permanent with backrest - 12'L
ATBNBPT15	Single-tier aluminum team bench, portable - 15'L
ATBBRPT15	Single-tier aluminum team bench, portable with backrest - 15'L
ATBNBSP15	Single-tier aluminum team bench, permanent - 15'L
ATBBRSP15	Single-tier aluminum team bench, permanent with backrest - 15'L

# Polyboard Team Benches

## Product Overview

- Premium polyboard benches with aluminum frame
- Polyboard guaranteed not to crack, splinter, or warp
- Durable powder coat finish on the aluminum frame
- 100% preassembled – No assembly required!
- Variety of polyboard and aluminum frame colors available
- Offered in standard 8', 10', 12', and 15' lengths
- Optional second tier creates elevated seating and / or shelf storage
- Variety of standard styles offered
- Custom sizes and designs available upon request



## Two-Tier Polyboard Team Benches

Item Number	Product Description
PTBTT8	Two-tier polyboard team bench, permanent or portable - 8'L
PTBTTWM8	Two-tier polyboard team benches, wall mount - 8'L
PTBTT10	Two-tier polyboard team bench, permanent or portable - 10'L
PTBTTWM10	Two-tier polyboard team bench, wall mount - 10'L
PTBTT12	Two-tier polyboard team bench, permanent or portable - 12'L
PTBTTWM12	Two-tier polyboard team bench, wall mount - 12'L
PTBTT15	Two-tier polyboard team bench, permanent or portable - 15'L
PTBTTWM15	Two-tier polyboard team bench, wall mount - 15'L

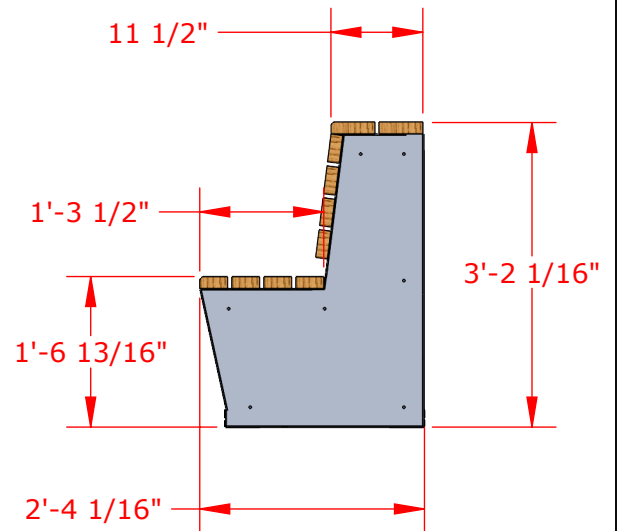
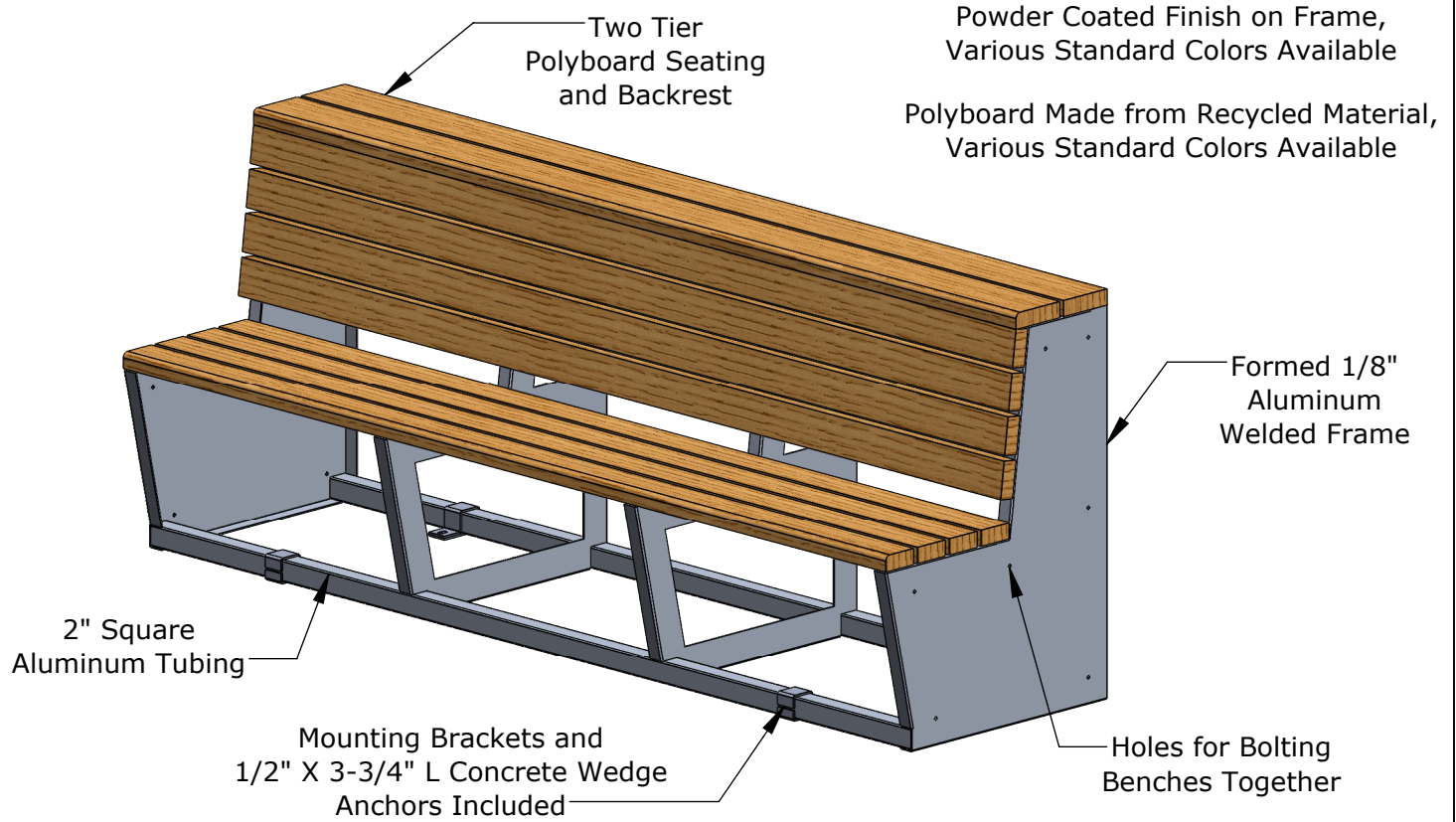
## Single-Tier Polyboard Team Benches

Item Number	Product Description
PTBNBPT8	Single-tier polyboard team bench, portable - 8'L
PTBBRPT8	Single-tier polyboard team bench, portable with backrest - 8'L
PTBNBSP8	Single-tier polyboard team bench, permanent - 8'L
PTBBRSP8	Single-tier polyboard team bench, permanent with backrest - 8'L
PTBNBPT10	Single-tier polyboard team bench, portable - 10'L
PTBBRPT10	Single-tier polyboard team bench, portable with backrest - 10'L
PTBNBSP10	Single-tier polyboard team bench, permanent - 10'L
PTBBRSP10	Single-tier polyboard team bench, permanent with backrest - 10'L
PTBNBPT12	Single-tier polyboard team bench, portable - 12'L
PTBBRPT12	Single-tier polyboard team bench, portable with backrest - 12'L
PTBNBSP12	Single-tier polyboard team bench, permanent - 12'L
PTBBRSP12	Single-tier polyboard team bench, permanent with backrest - 12'L
PTBNBPT15	Single-tier polyboard team bench, portable - 15'L
PTBBRPT15	Single-tier polyboard team bench, portable with backrest - 15'L
PTBNBSP15	Single-tier polyboard team bench, permanent - 15'L
PTBBRSP15	Single-tier polyboard team bench, permanent with backrest - 15'L









Part #	Length	Weight
PTBTT8	8'	235 lbs
PTBTT10	10'	280 lbs
PTBTT12	12'	335 lbs
PTBTT15	15'	420 lbs

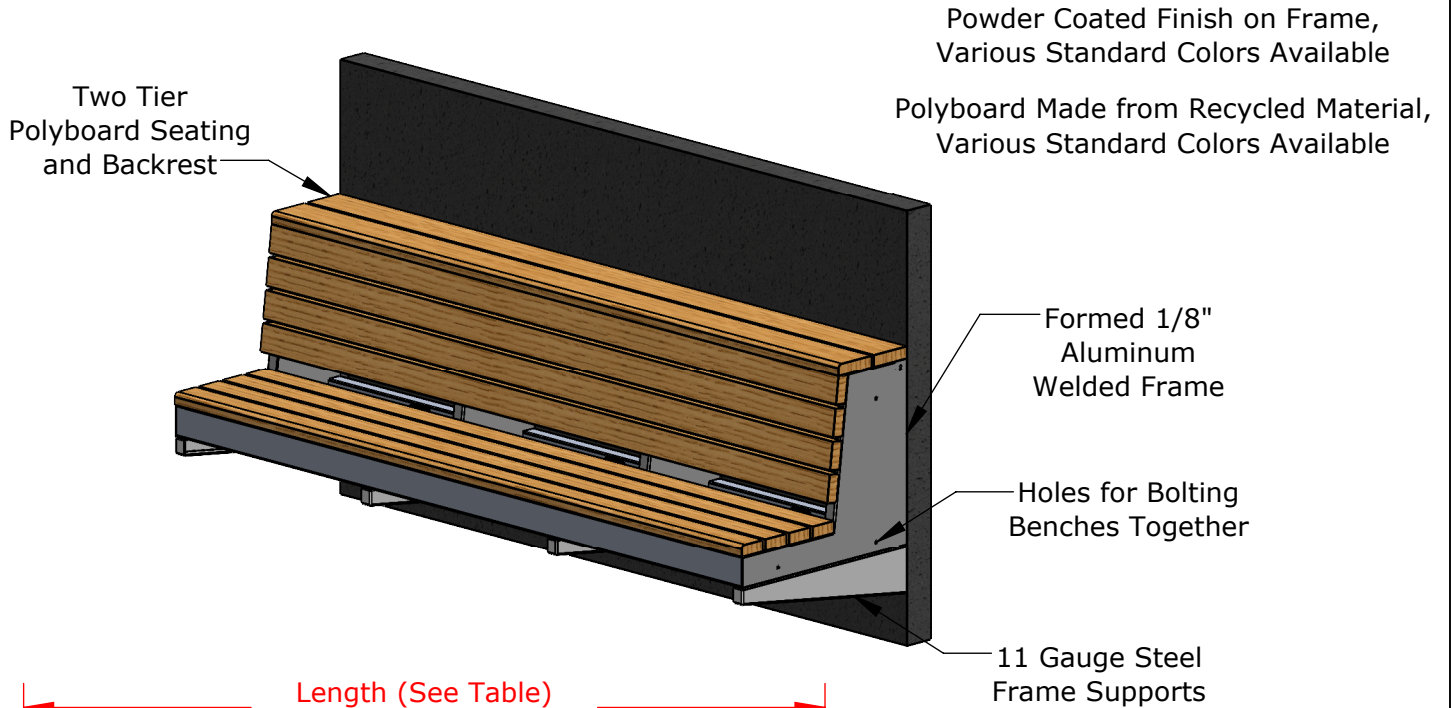
**PROPRIETARY AND CONFIDENTIAL**

THE INFORMATION CONTAINED IN THIS DRAWING IS THE SOLE PROPERTY OF SPORTSFIELD SPECIALTIES INC. ANY REPRODUCTION IN PART OR AS A WHOLE WITHOUT THE WRITTEN PERMISSION OF SPORTSFIELD SPECIALTIES INC. IS PROHIBITED.

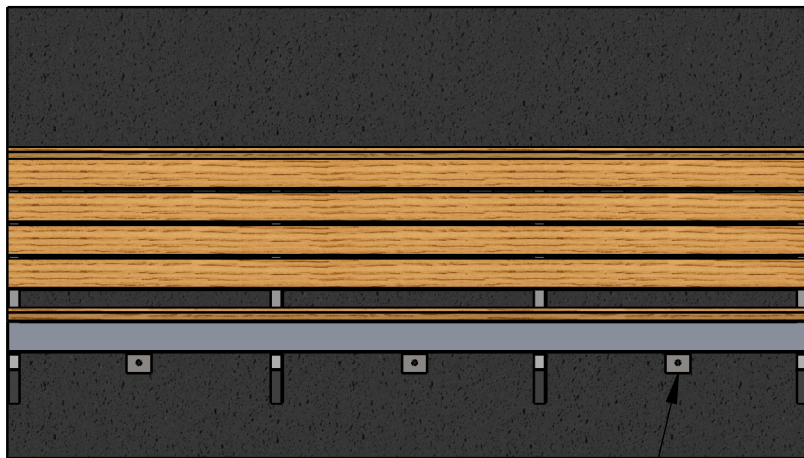
## Two Tier Polyboard Bench

Not To Scale

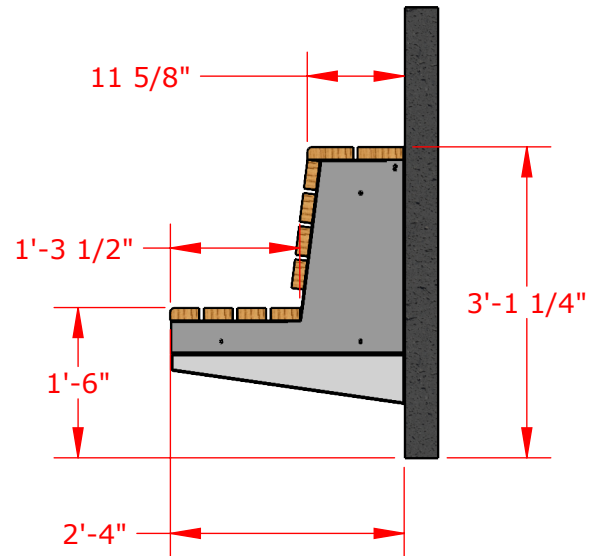
Sportsfield Specialties Inc 05192020



Length (See Table)  
 Custom Lengths Available



Steel Mounting Brackets Included,  
 Anchoring Hardware Not Included.  
 See Next Page for Anchoring Hardware  
 Loads and Recommendations



Part #	Length	Weight
PTBTTWM8	8'	235 lbs
PTBTTWM10	10'	280 lbs
PTBTTWM12	12'	335 lbs
PTBTTWM15	15'	420 lbs

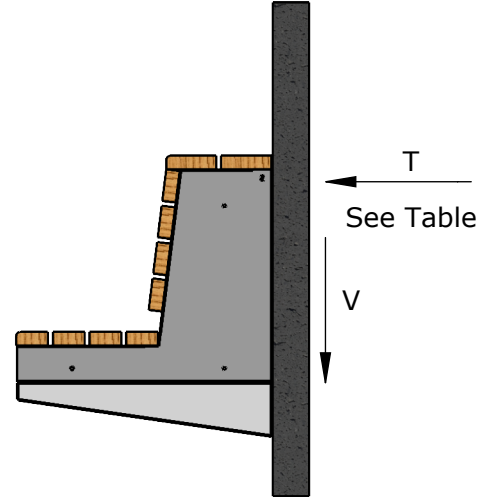
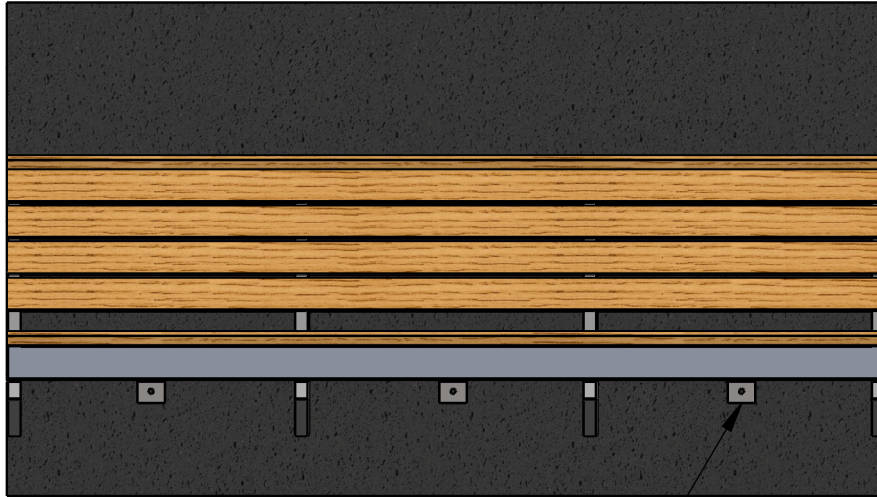
**PROPRIETARY AND CONFIDENTIAL**

THE INFORMATION CONTAINED IN THIS DRAWING IS THE SOLE PROPERTY OF SPORTSFIELD SPECIALTIES INC. ANY REPRODUCTION IN PART OR AS A WHOLE WITHOUT THE WRITTEN PERMISSION OF SPORTSFIELD SPECIALTIES INC. IS PROHIBITED.

## Two Tier Wall Mounted Polyboard Bench

Not To Scale

Sportsfield Specialties Inc 06232021



Anchoring Hardware Not Included,  
See Table for Recommendations

Recommended Anchoring by Wall Material	
Wall Material	Recommended Anchoring
Hollow CMU	Hilti HY 270 & 1/2" $\phi$ HAS Rods w/ 2" Minimum Embedment
Grouted CMU	1/2" $\phi$ X 3-3/4" Hilti Kwik Bolt w/ 2-1/4" Minimum Embedment
Concrete	1/2" $\phi$ X 3-3/4" Hilti Kwik Bolt w/ 2-1/4" Minimum Embedment
Hollow Brick	Hilti HY 270 & 1/2" $\phi$ HAS Rods w/ 3-1/4" Minimum Embedment
Wood	1/2" $\phi$ X 3" Lag Screw w/ 2-1/2" Minimum Embedment

Install all anchors per manufacturer's recommendations, including published edge distance limitations. Equivalent substitutions allowed, to be determined by others.

ASD Loads for Anchoring Hardware	
Top Anchor Tension, T	385#/Each
Anchor Shear, V	125#/Each

The allowable published capacities for the anchors selected and installed in the existing substrate(s) must meet or exceed the provided service (ASD) loads above. Sportsfield Specialties is not responsible for damage caused by improper anchor selection/installation or for verifying field conditions prior to installation.

**PROPRIETARY AND CONFIDENTIAL**

THE INFORMATION CONTAINED IN THIS DRAWING IS THE SOLE PROPERTY OF SPORTSFIELD SPECIALTIES INC. ANY REPRODUCTION IN PART OR AS A WHOLE WITHOUT THE WRITTEN PERMISSION OF SPORTSFIELD SPECIALTIES INC. IS PROHIBITED.

# Two Tier Wall Mounted Polyboard Bench

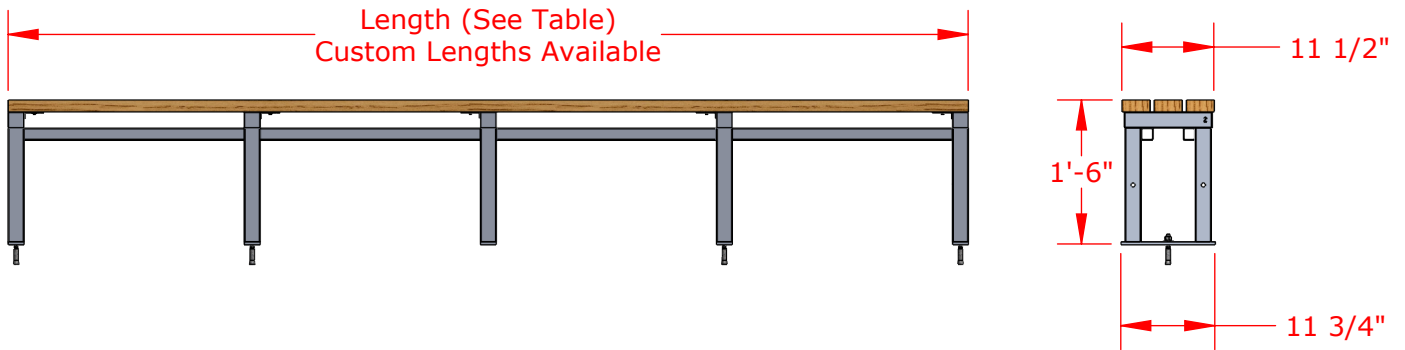
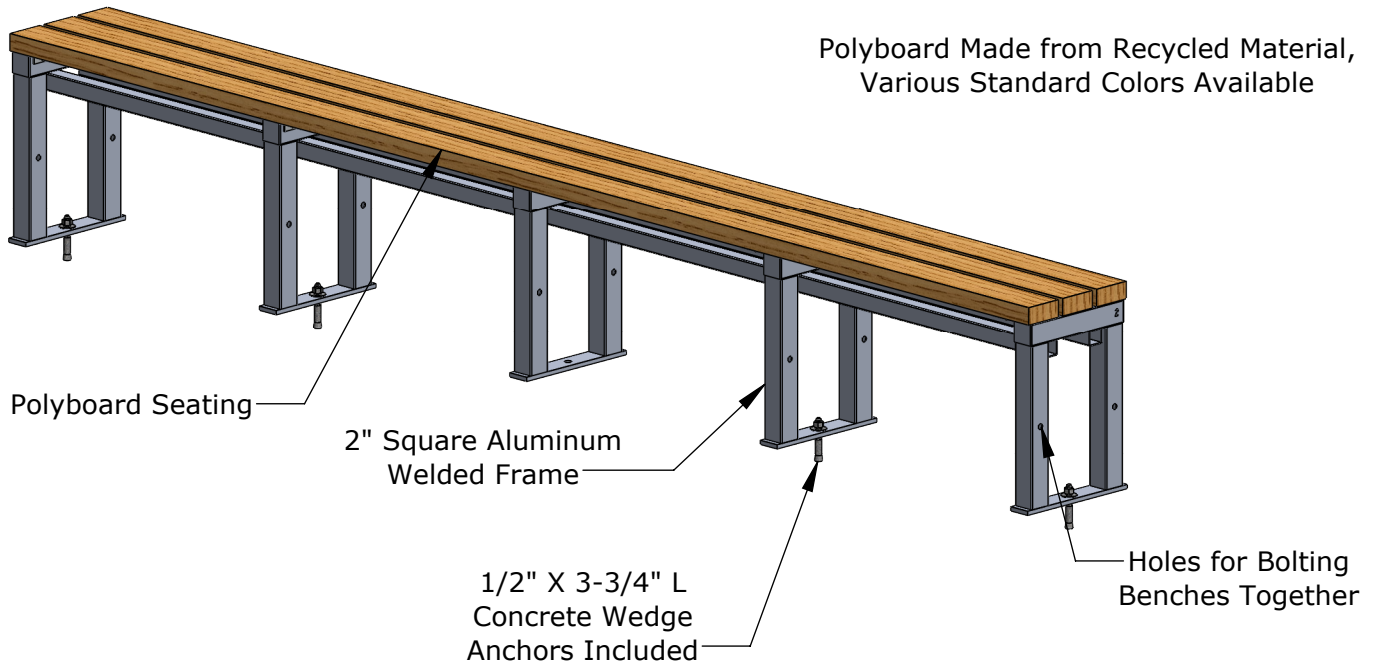
Not To Scale

Sportsfield Specialties Inc 06232021



Powder Coated Finish on Frame,  
Various Standard Colors Available

Polyboard Made from Recycled Material,  
Various Standard Colors Available



Part #	Length	Weight
PTBNBSP8	8'	35 lbs
PTBNBSP10	10'	45 lbs
PTBNBSP12	12'	50 lbs
PTBNBSP15	15'	60 lbs

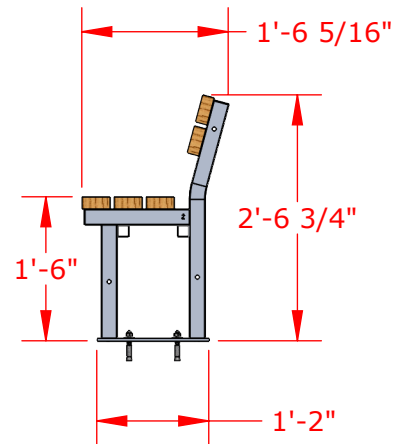
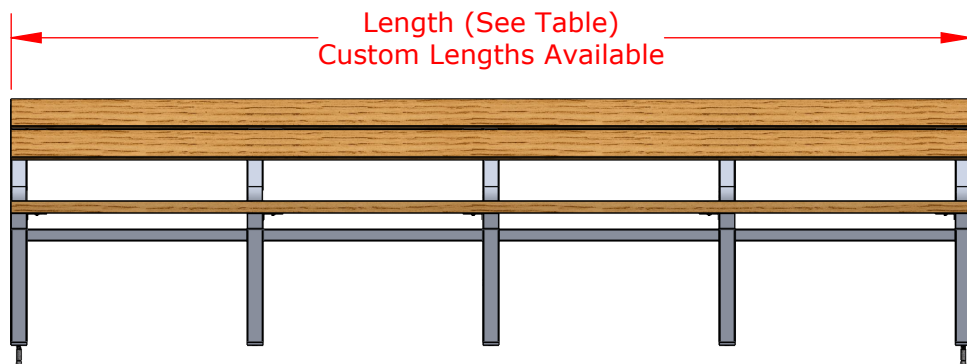
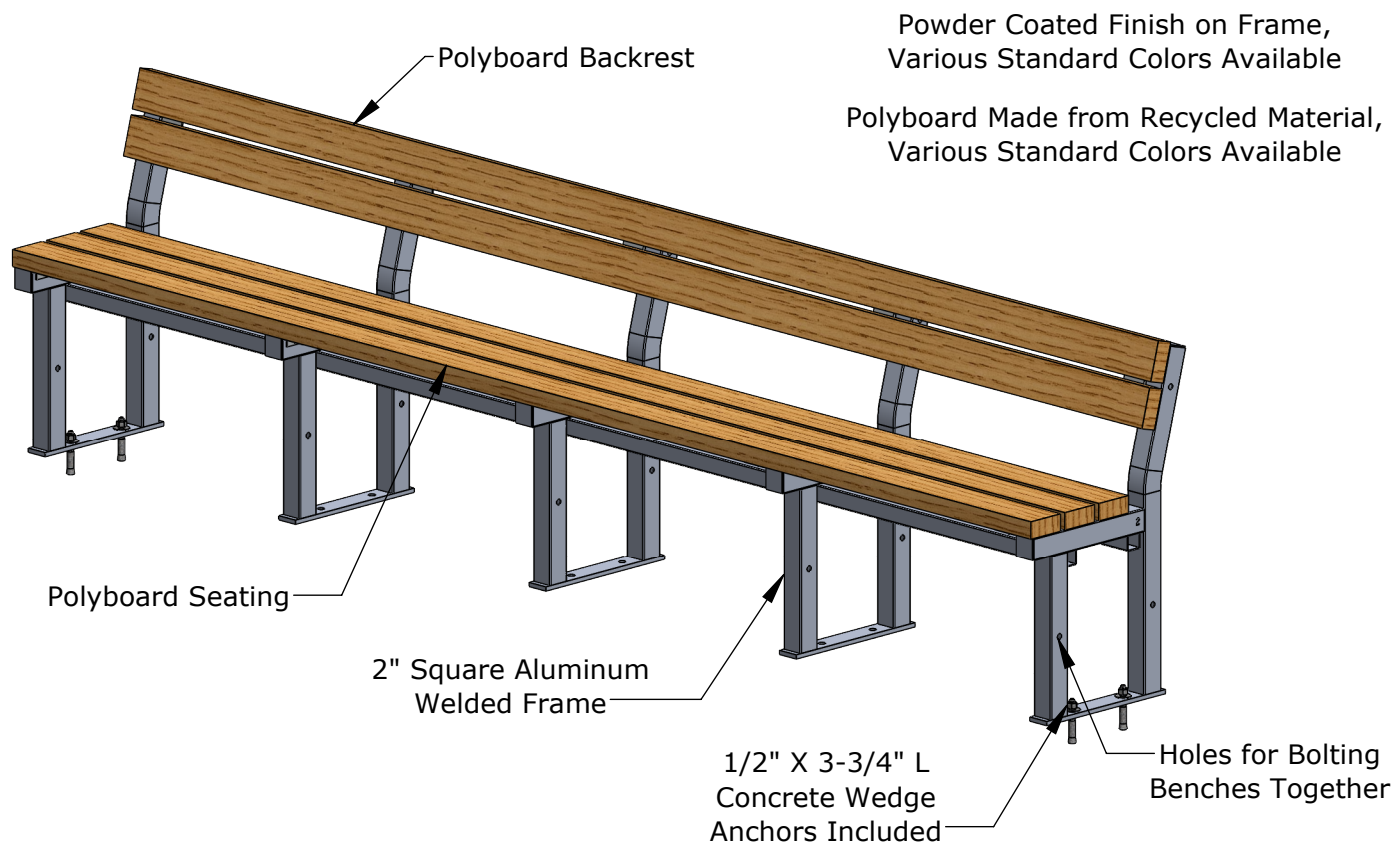
**PROPRIETARY AND CONFIDENTIAL**

THE INFORMATION CONTAINED IN THIS DRAWING IS THE SOLE PROPERTY OF SPORTSFIELD SPECIALTIES INC. ANY REPRODUCTION IN PART OR AS A WHOLE WITHOUT THE WRITTEN PERMISSION OF SPORTSFIELD SPECIALTIES INC. IS PROHIBITED.

## Single Tier Semi-Permanent Polyboard Bench without Backrest

Not To Scale

Sportsfield Specialties Inc 11202020



Part #	Length	Weight
PTBBRSP8	8'	105 lbs
PTBBRSP10	10'	125 lbs
PTBBRSP12	12'	150 lbs
PTBBRSP15	15'	185 lbs

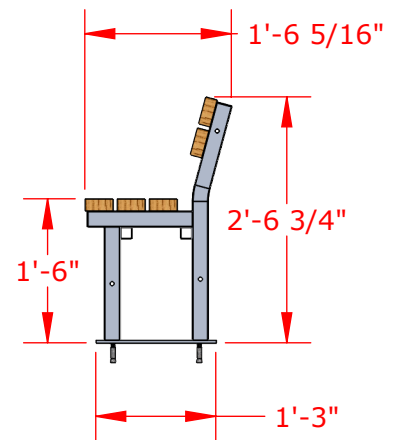
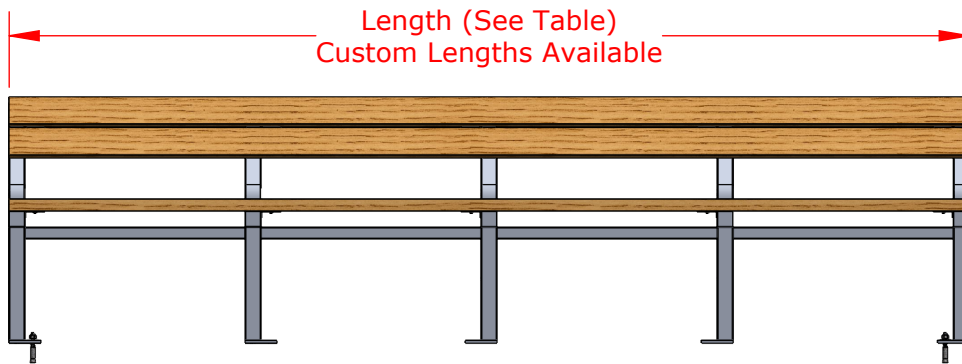
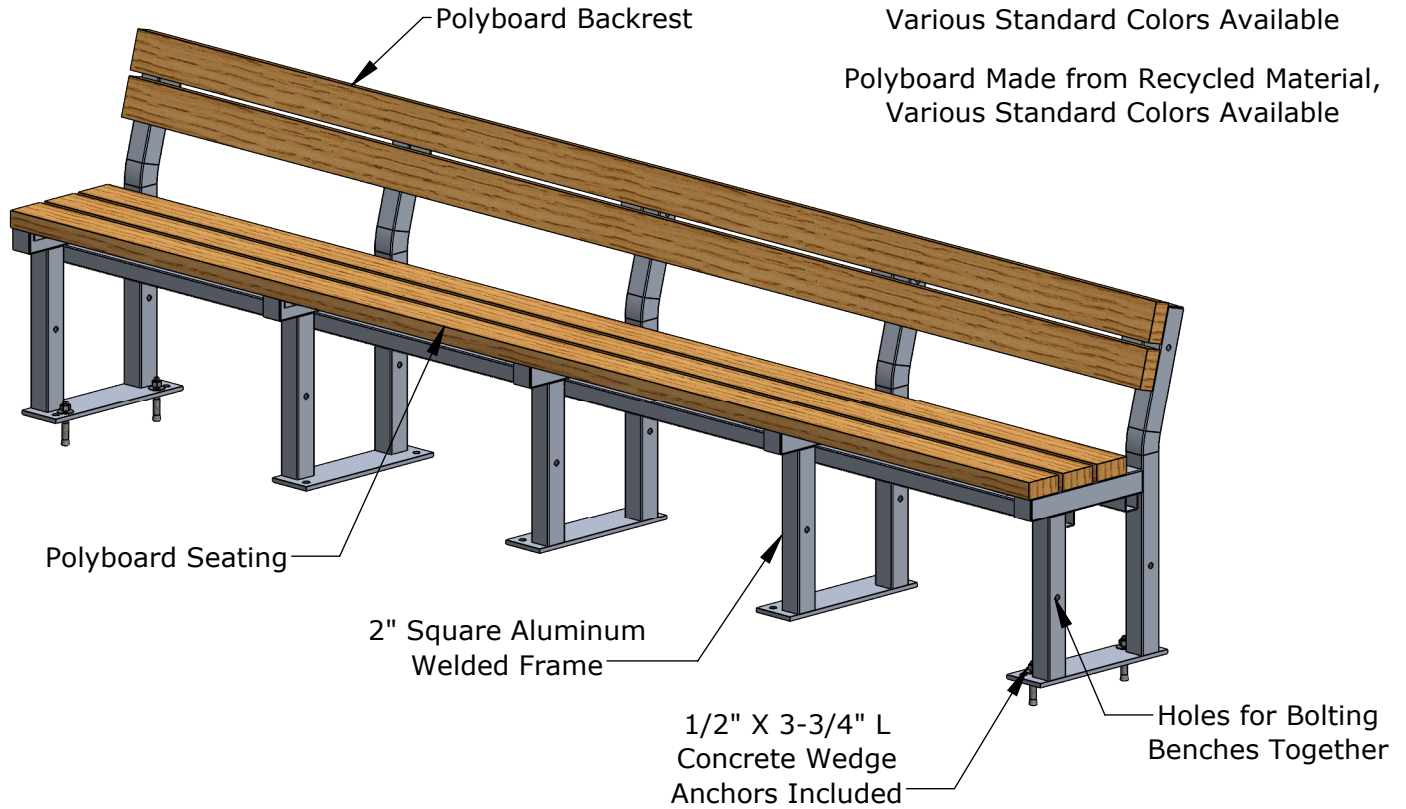
**PROPRIETARY AND CONFIDENTIAL**

THE INFORMATION CONTAINED IN THIS DRAWING IS THE SOLE PROPERTY OF SPORTSFIELD SPECIALTIES INC. ANY REPRODUCTION IN PART OR AS A WHOLE WITHOUT THE WRITTEN PERMISSION OF SPORTSFIELD SPECIALTIES INC. IS PROHIBITED.

## Single Tier Semi-Permanent Polyboard Bench with Backrest

Not To Scale

Sportsfield Specialties Inc 11202020



Part #	Length	Weight
PTBBRSP8	8'	105 lbs
PTBBRSP10	10'	125 lbs
PTBBRSP12	12'	150 lbs
PTBBRSP15	15'	185 lbs

**PROPRIETARY AND CONFIDENTIAL**

THE INFORMATION CONTAINED IN THIS DRAWING IS THE SOLE PROPERTY OF SPORTSFIELD SPECIALTIES INC. ANY REPRODUCTION IN PART OR AS A WHOLE WITHOUT THE WRITTEN PERMISSION OF SPORTSFIELD SPECIALTIES INC. IS PROHIBITED.

## Single Tier Semi-Permanent Polyboard Bench with Backrest

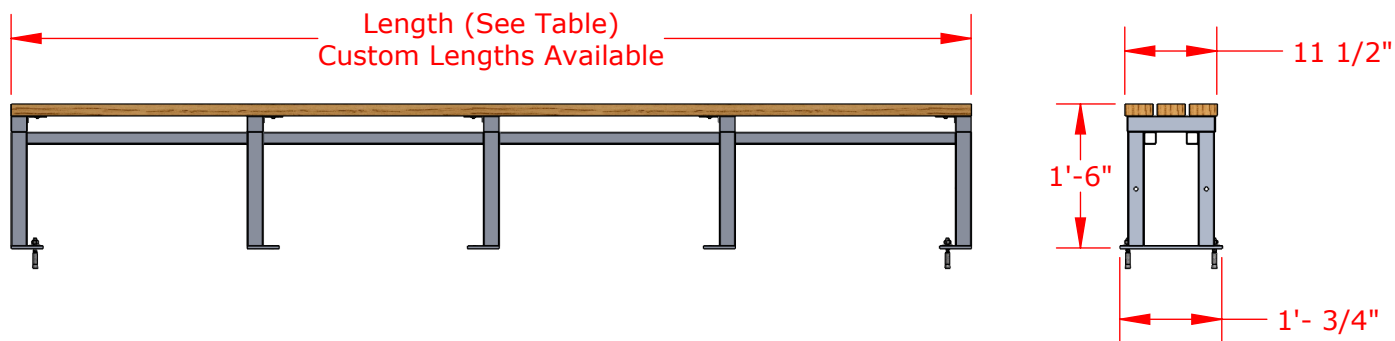
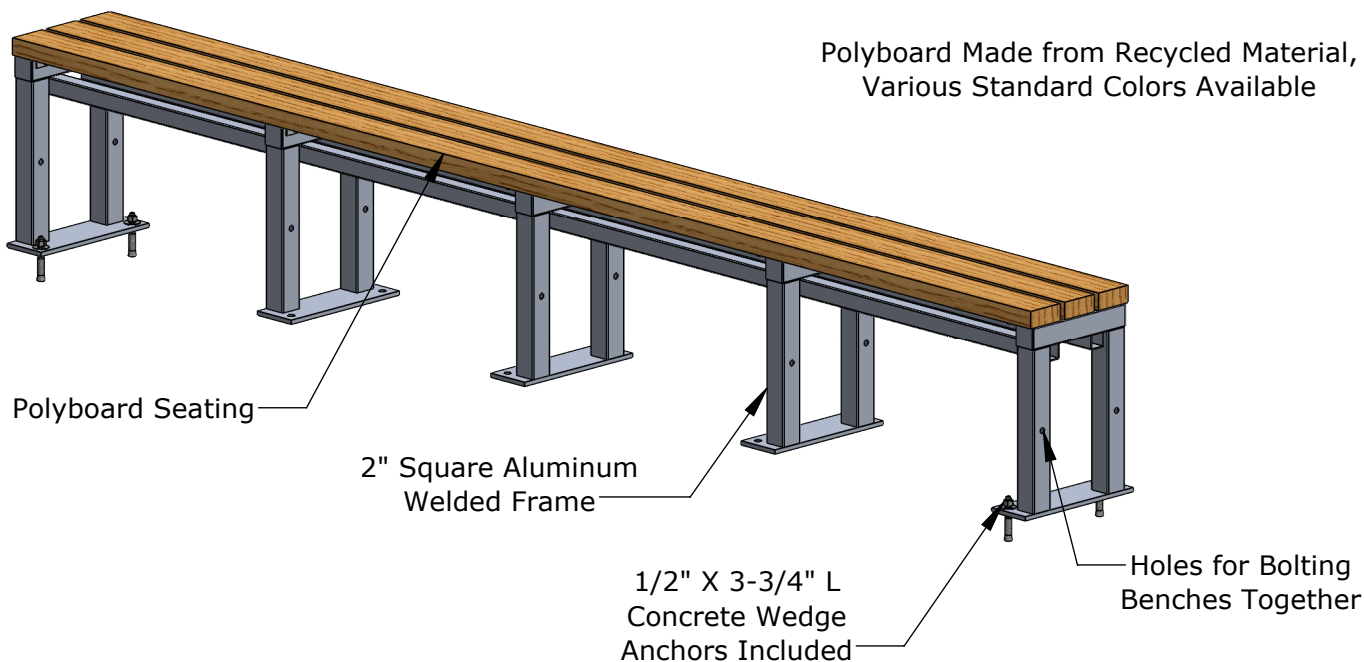
Not To Scale

Sportsfield Specialties Inc 05192020



Powder Coated Finish on Frame,  
Various Standard Colors Available

Polyboard Made from Recycled Material,  
Various Standard Colors Available



Part #	Length	Weight
PTBNBSP8	8'	35 lbs
PTBNBSP10	10'	45 lbs
PTBNBSP12	12'	50 lbs
PTBNBSP15	15'	60 lbs

**PROPRIETARY AND CONFIDENTIAL**

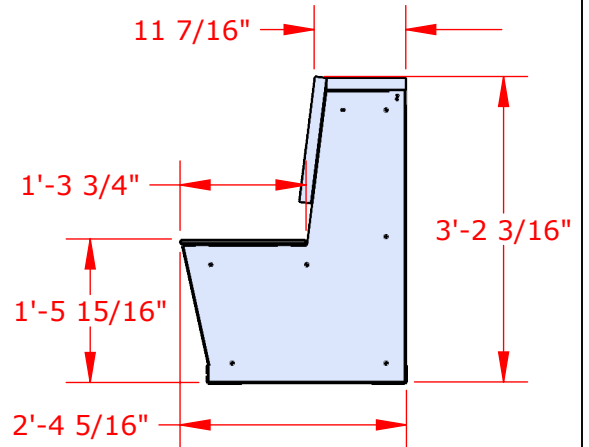
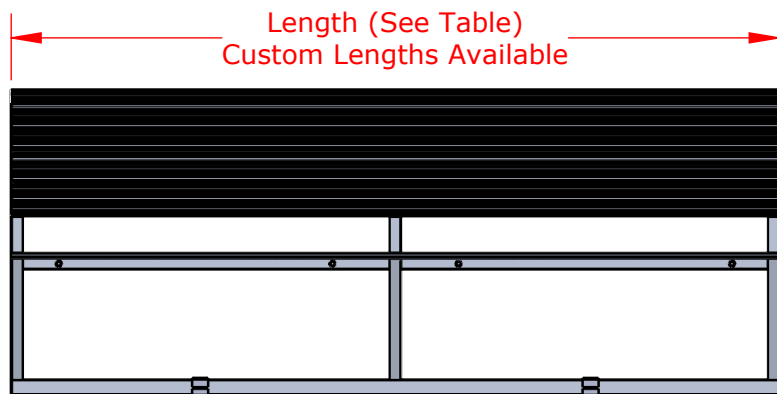
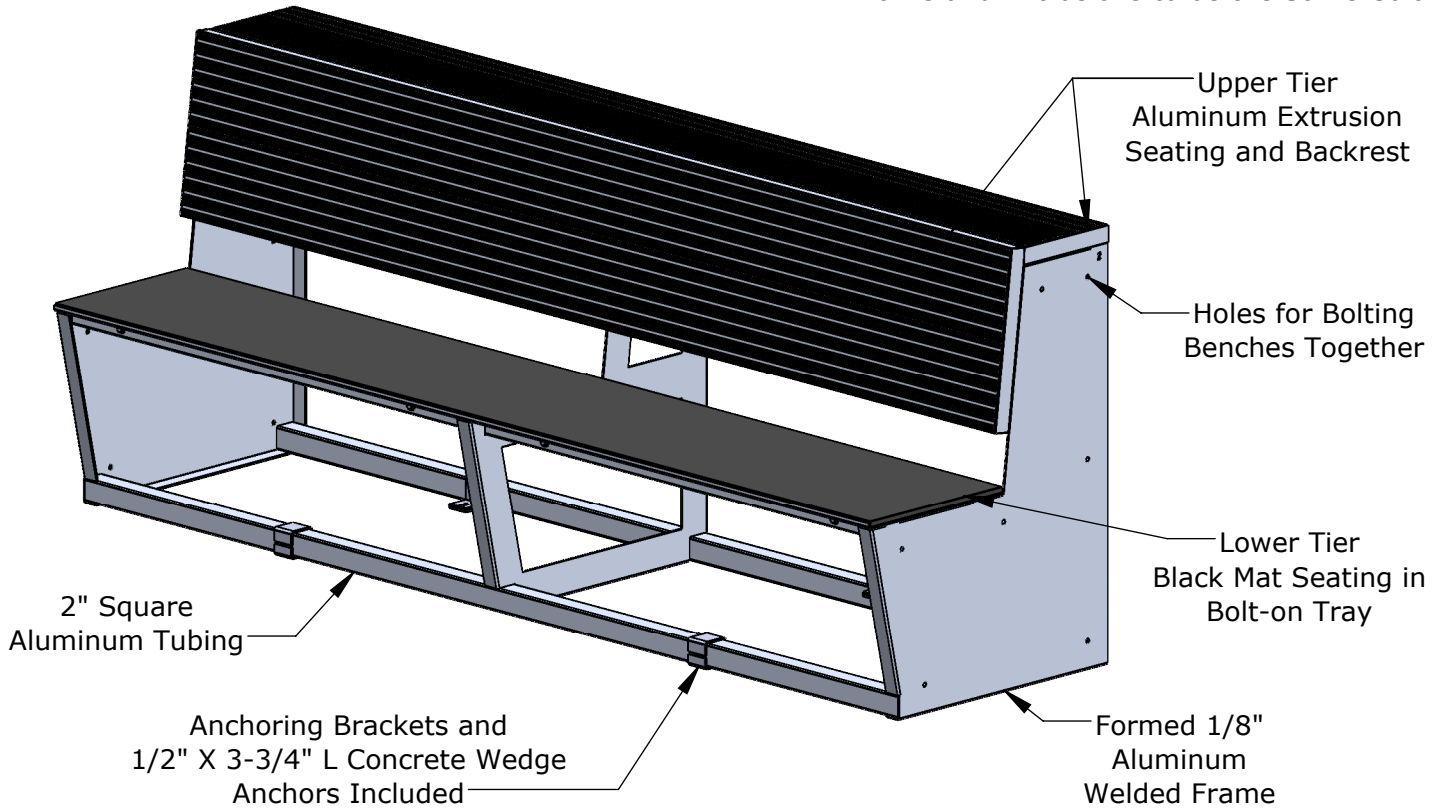
THE INFORMATION CONTAINED IN THIS DRAWING IS THE SOLE PROPERTY OF SPORTSFIELD SPECIALTIES INC. ANY REPRODUCTION IN PART OR AS A WHOLE WITHOUT THE WRITTEN PERMISSION OF SPORTSFIELD SPECIALTIES INC. IS PROHIBITED.

## Single Tier Semi-Permanent Polyboard Bench without Backrest

Not To Scale

Sportsfield Specialties Inc 05192020

Powder Coated Finish,  
Various Standard Colors Available,  
Frame and Extrusions to be the Same Color



Part #	Length	Weight
ATBTTBM8	8'	235 lbs
ATBTTBM10	10'	280 lbs
ATBTTBM12	12'	335 lbs

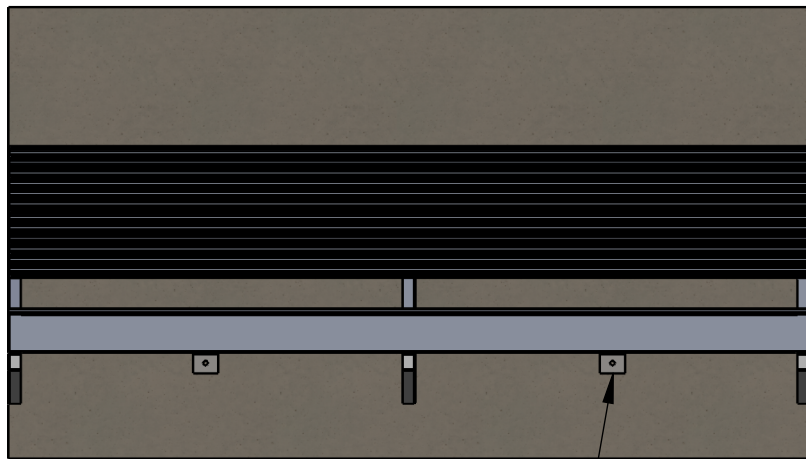
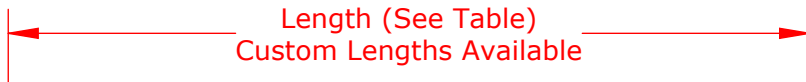
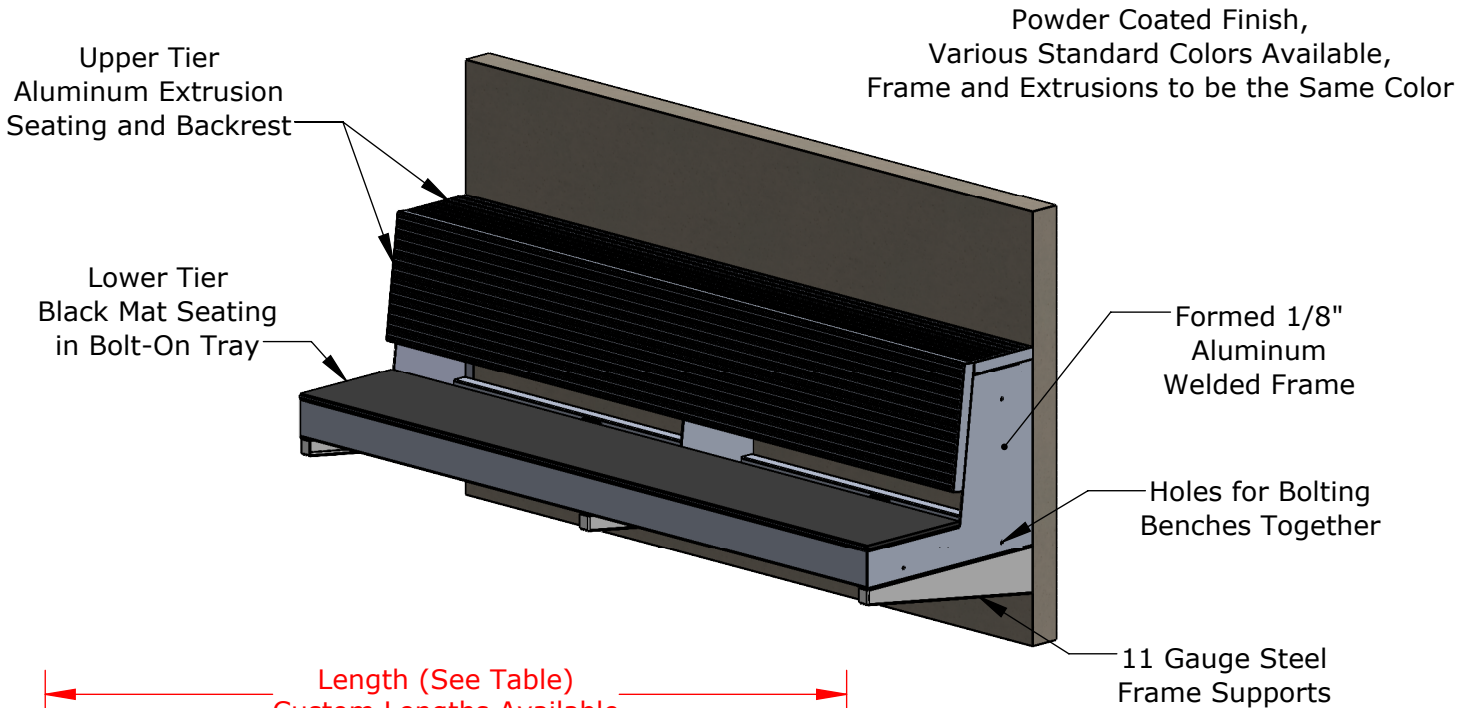
**PROPRIETARY AND CONFIDENTIAL**

THE INFORMATION CONTAINED IN THIS DRAWING IS THE SOLE PROPERTY OF SPORTSFIELD SPECIALTIES INC. ANY REPRODUCTION IN PART OR AS A WHOLE WITHOUT THE WRITTEN PERMISSION OF SPORTSFIELD SPECIALTIES INC. IS PROHIBITED.

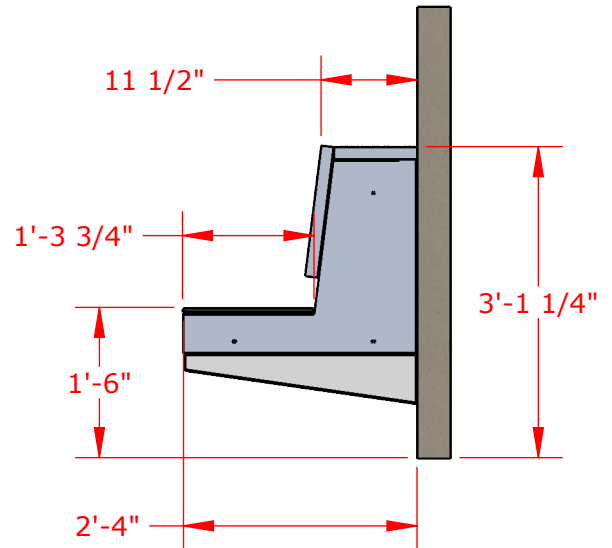
## Two Tier Aluminum Black Mat Bench

Not To Scale

Sportsfield Specialties Inc 08312021



Steel Mounting Brackets Included,  
Anchoring Hardware Not Included.  
See Next Page for Anchoring Hardware  
Loads and Recommendations



Part #	Length	Weight
ATBTTWMBM8	8'	160 lbs
ATBTTWMBM10	10'	200 lbs
ATBTTWMBM12	12'	230 lbs

**PROPRIETARY AND CONFIDENTIAL**

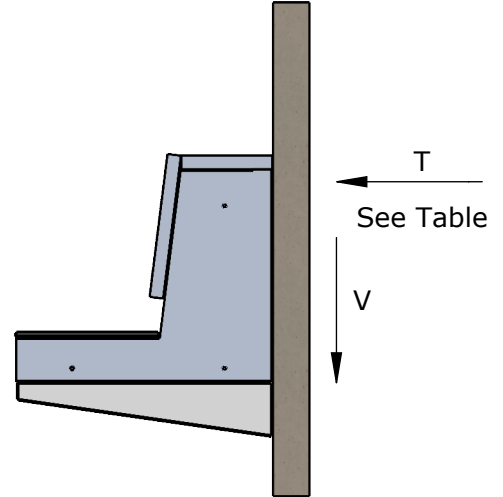
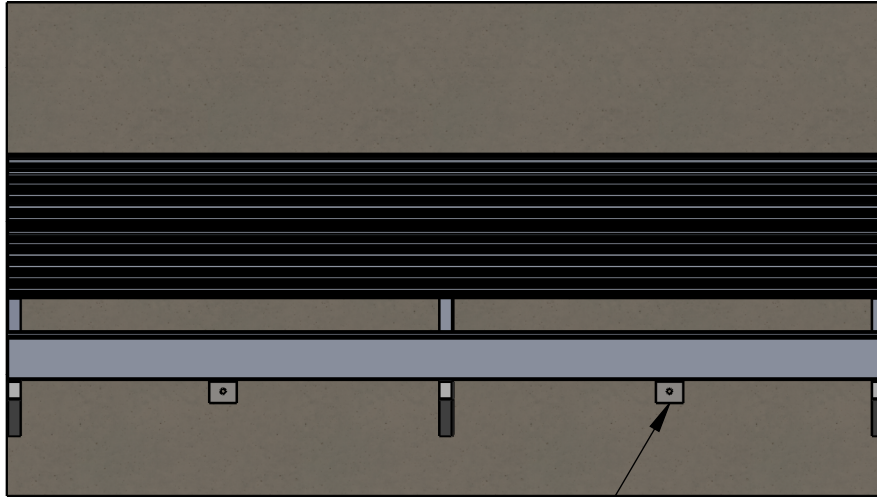
THE INFORMATION CONTAINED IN THIS DRAWING IS THE SOLE PROPERTY OF SPORTSFIELD SPECIALTIES INC. ANY REPRODUCTION IN PART OR AS A WHOLE WITHOUT THE WRITTEN PERMISSION OF SPORTSFIELD SPECIALTIES INC. IS PROHIBITED.

**Two Tier Wall Mounted Aluminum Black Mat Bench**

Not To Scale

Sportsfield Specialties Inc 08312021





Anchoring Hardware Not Included,  
See Table for Recommendations

Recommended Anchoring by Wall Material	
Wall Material	Recommended Anchoring
Hollow CMU	Hilti HY 270 & 1/2" $\phi$ HAS Rods w/ 2" Minimum Embedment
Grouted CMU	1/2" $\phi$ X 3-3/4" Hilti Kwik Bolt w/ 2-1/4" Minimum Embedment
Concrete	1/2" $\phi$ X 3-3/4" Hilti Kwik Bolt w/ 2-1/4" Minimum Embedment
Hollow Brick	Hilti HY 270 & 1/2" $\phi$ HAS Rods w/ 3-1/4" Minimum Embedment
Wood	1/2" $\phi$ X 3" Lag Screw w/ 2-1/2" Minimum Embedment

Install all anchors per manufacturer's recommendations, including published edge distance limitations. Equivalent substitutions allowed, to be determined by others.

ASD Loads for Anchoring Hardware	
Top Anchor Tension, T	385#/Each
Anchor Shear, V	125#/Each

The allowable published capacities for the anchors selected and installed in the existing substrate(s) must meet or exceed the provided service (ASD) loads above. Sportsfield Specialties is not responsible for damage caused by improper anchor selection/installation or for verifying field conditions prior to installation.

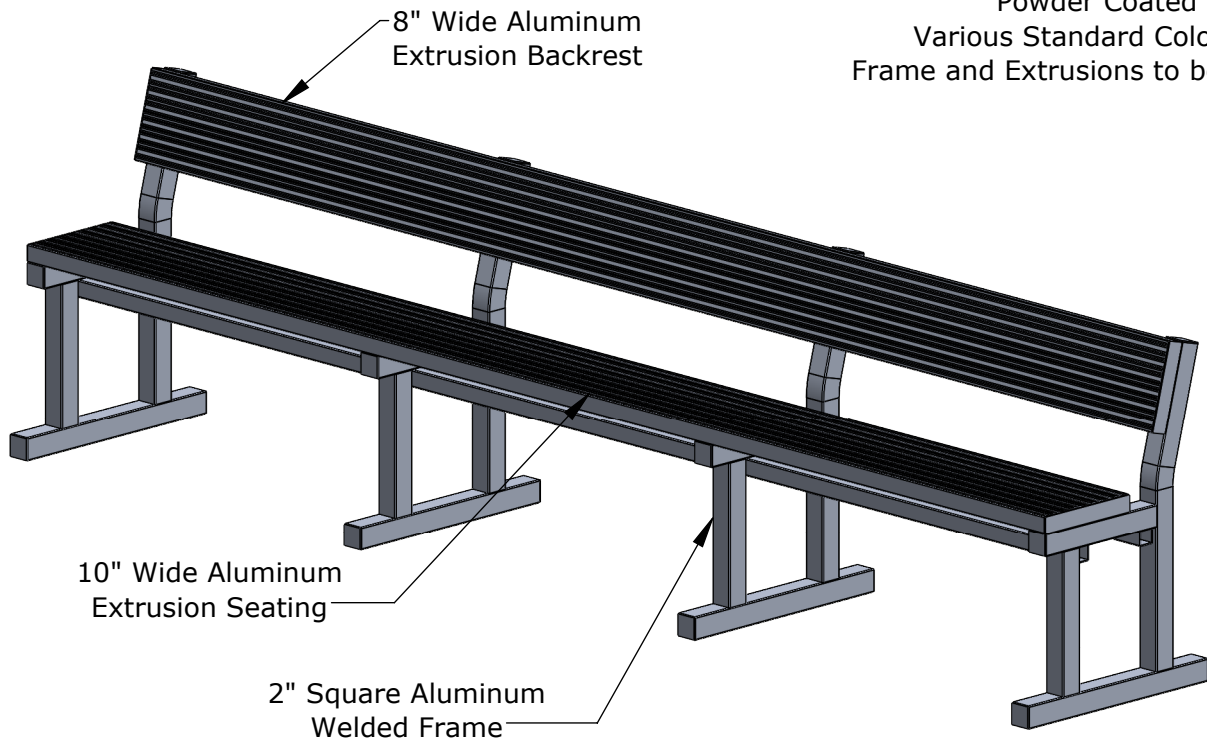
**PROPRIETARY AND CONFIDENTIAL**

THE INFORMATION CONTAINED IN THIS DRAWING IS THE SOLE PROPERTY OF SPORTSFIELD SPECIALTIES INC. ANY REPRODUCTION IN PART OR AS A WHOLE WITHOUT THE WRITTEN PERMISSION OF SPORTSFIELD SPECIALTIES INC. IS PROHIBITED.

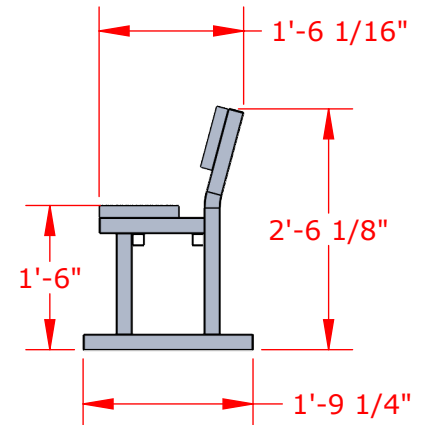
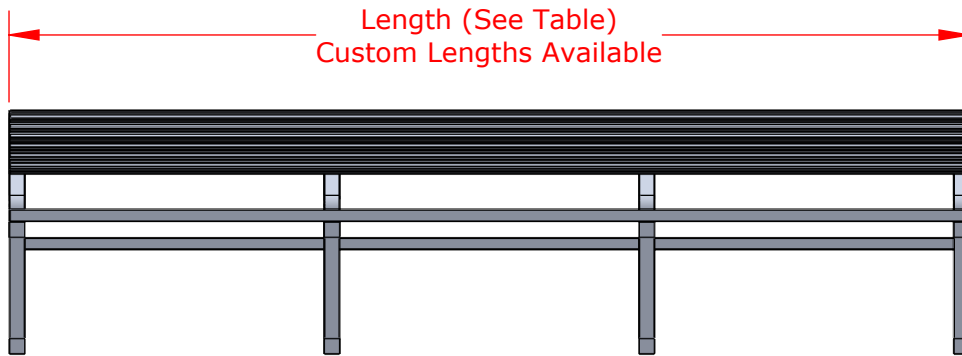
## Two Tier Wall Mounted Aluminum Black Mat Bench

Not To Scale

Sportsfield Specialties Inc 08312021



Powder Coated Finish,  
Various Standard Colors Available,  
Frame and Extrusions to be the Same Color



Part #	Length	Weight
ATBBRPT8	8'	50 lbs
ATBBRPT10	10'	60 lbs
ATBBRPT12	12'	70 lbs
ATBBRPT15	15'	85 lbs

**PROPRIETARY AND CONFIDENTIAL**

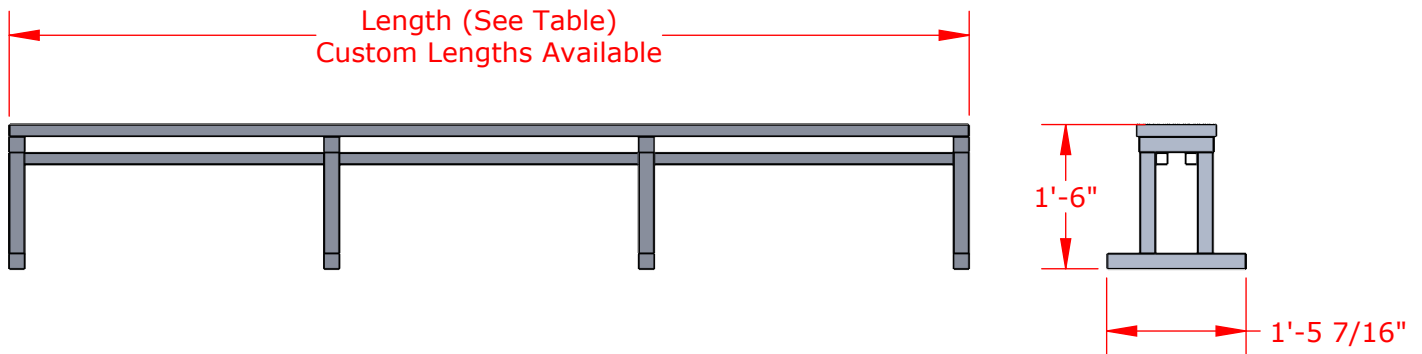
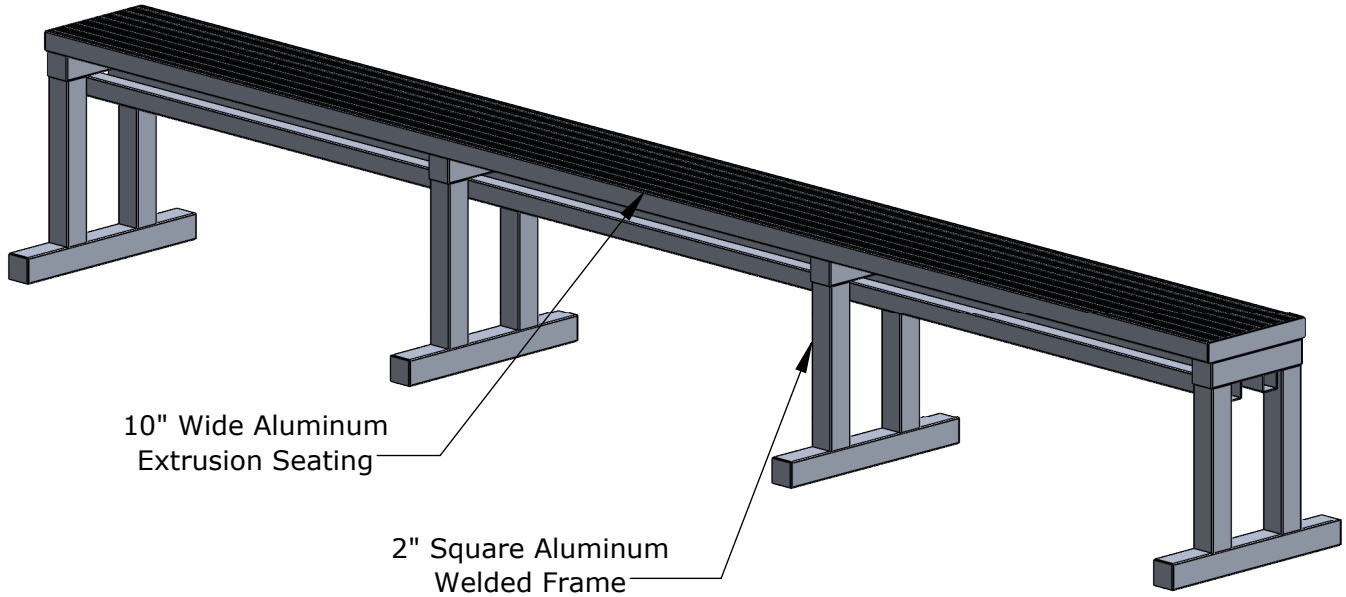
THE INFORMATION CONTAINED IN THIS DRAWING IS THE SOLE PROPERTY OF SPORTSFIELD SPECIALTIES INC. ANY REPRODUCTION IN PART OR AS A WHOLE WITHOUT THE WRITTEN PERMISSION OF SPORTSFIELD SPECIALTIES INC. IS PROHIBITED.

## Single Tier Portable Aluminum Bench with Backrest

Not To Scale

Sportsfield Specialties Inc 05192020

Powder Coated Finish,  
Various Standard Colors Available,  
Frame and Extrusion to be the Same Color



Part #	Length	Weight
ATBNBPT8	8'	30 lbs
ATBNBPT10	10'	40 lbs
ATBNBPT12	12'	45 lbs
ATBNBPT15	15'	55 lbs

**PROPRIETARY AND CONFIDENTIAL**

THE INFORMATION CONTAINED IN THIS DRAWING IS THE SOLE PROPERTY OF SPORTSFIELD SPECIALTIES INC. ANY REPRODUCTION IN PART OR AS A WHOLE WITHOUT THE WRITTEN PERMISSION OF SPORTSFIELD SPECIALTIES INC. IS PROHIBITED.

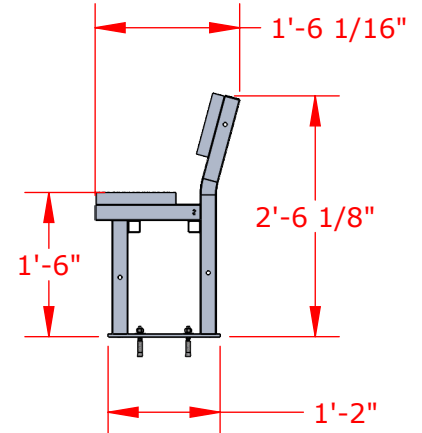
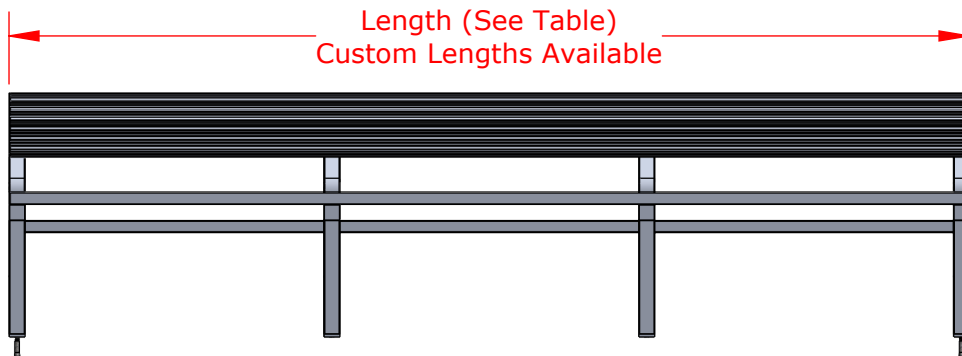
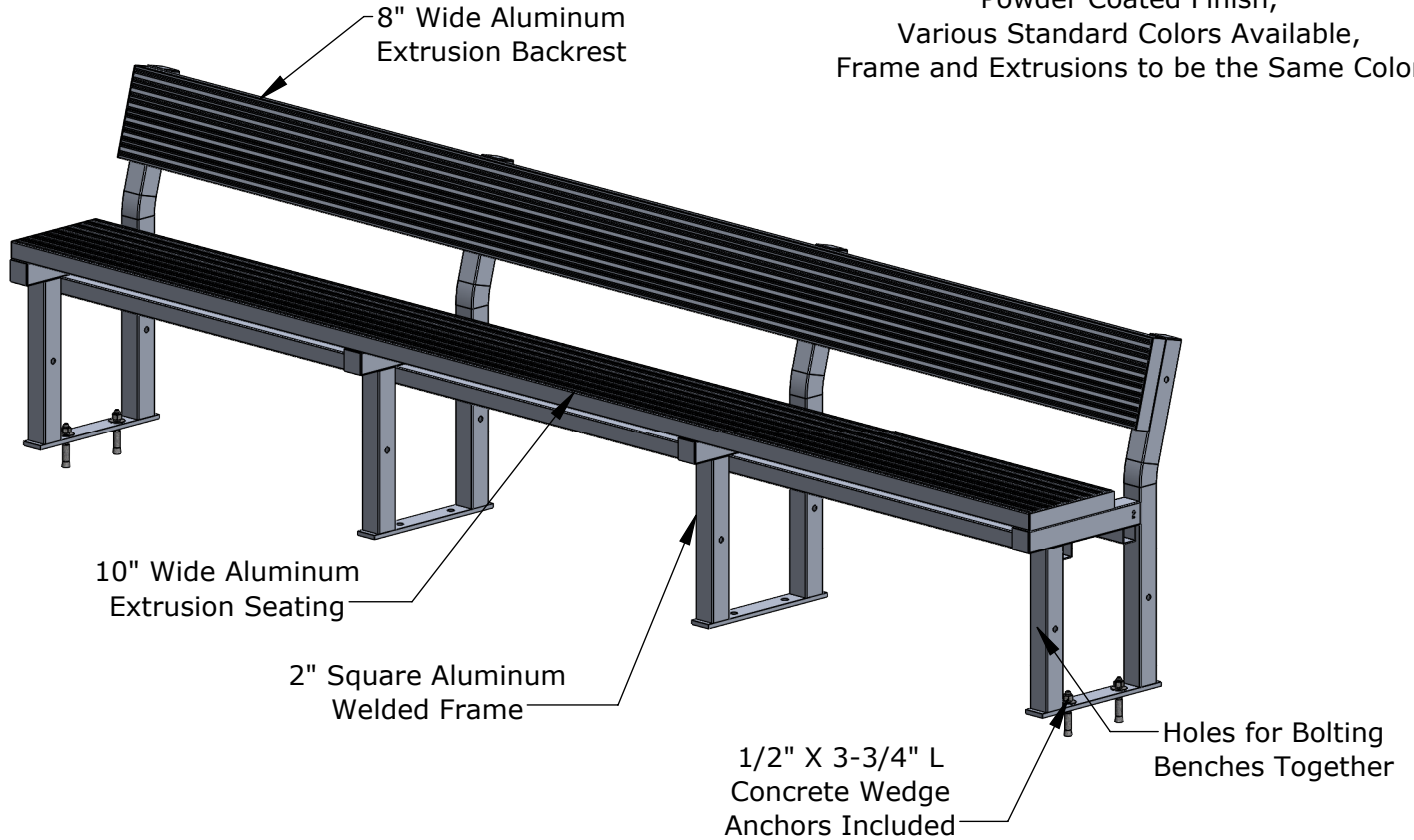
## Single Tier Portable Aluminum Bench without Backrest

Not To Scale

Sportsfield Specialties Inc 05192020



Powder Coated Finish,  
Various Standard Colors Available,  
Frame and Extrusions to be the Same Color



Part #	Length	Weight
ATBBRSP8	8'	50 lbs
ATBBRSP10	10'	62 lbs
ATBBRSP12	12'	70 lbs
ATBBRSP15	15'	88 lbs

**PROPRIETARY AND CONFIDENTIAL**

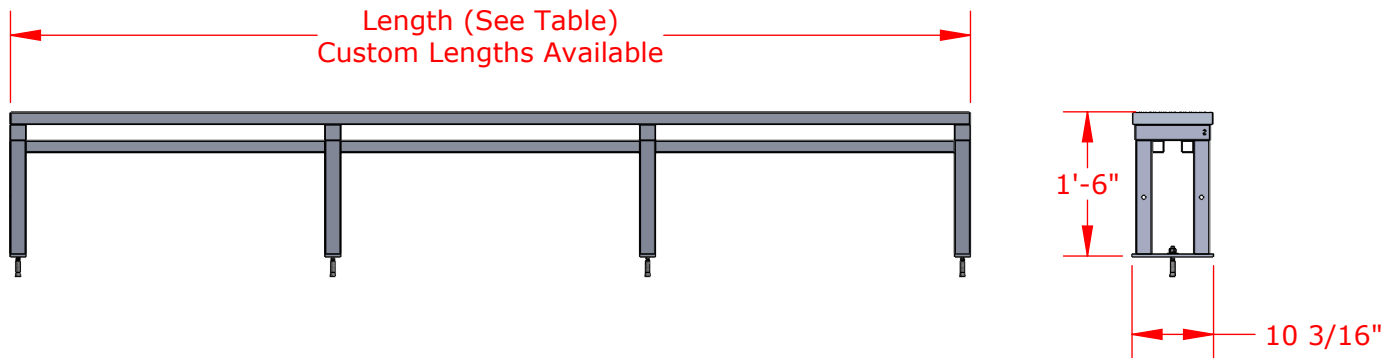
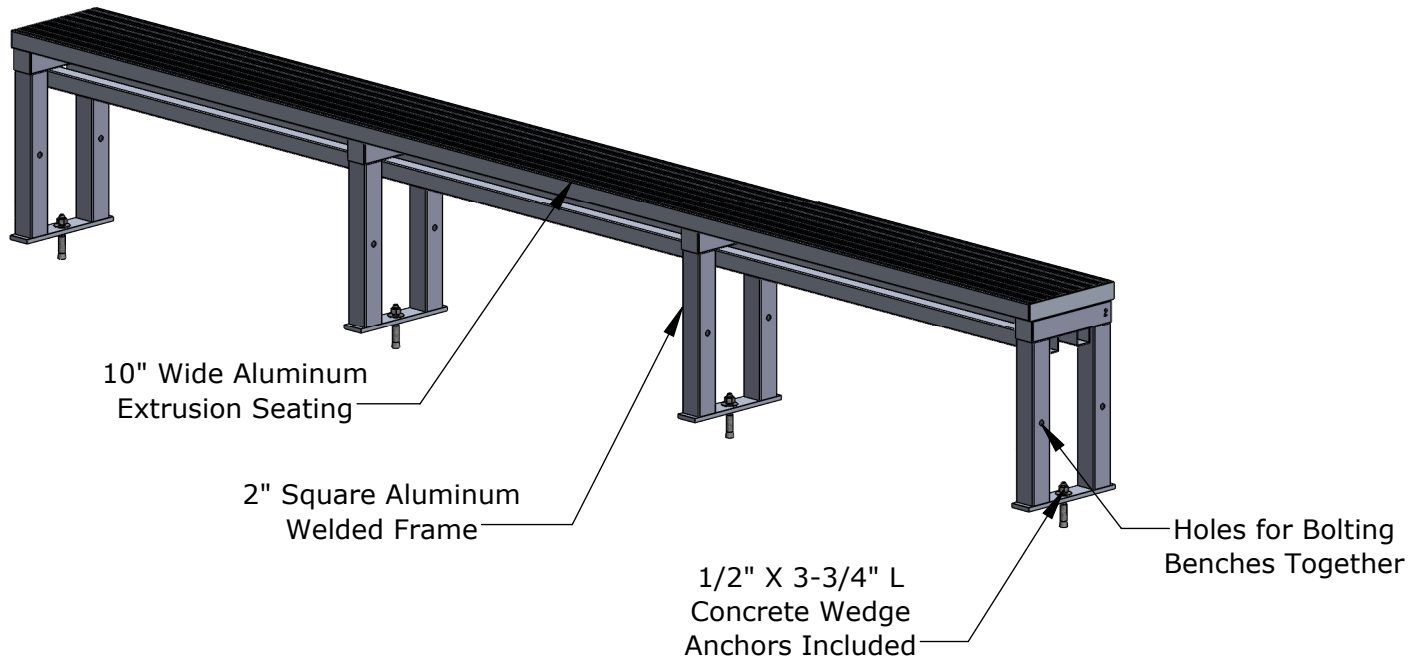
THE INFORMATION CONTAINED IN THIS DRAWING IS THE SOLE PROPERTY OF SPORTSFIELD SPECIALTIES INC. ANY REPRODUCTION IN PART OR AS A WHOLE WITHOUT THE WRITTEN PERMISSION OF SPORTSFIELD SPECIALTIES INC. IS PROHIBITED.

## Single Tier Semi-Permanent Aluminum Bench with Backrest

Not To Scale

Sportsfield Specialties Inc 11202020

Powder Coated Finish,  
Various Standard Colors Available,  
Frame and Extrusion to be the Same Color



Part #	Length	Weight
ATBNBSP8	8'	35 lbs
ATBNBSP10	10'	45 lbs
ATBNBSP12	12'	50 lbs
ATBNBSP15	15'	60 lbs

**PROPRIETARY AND CONFIDENTIAL**

THE INFORMATION CONTAINED IN THIS DRAWING IS THE SOLE PROPERTY OF SPORTSFIELD SPECIALTIES INC. ANY REPRODUCTION IN PART OR AS A WHOLE WITHOUT THE WRITTEN PERMISSION OF SPORTSFIELD SPECIALTIES INC. IS PROHIBITED.

## Single Tier Semi-Permanent Aluminum Bench without Backrest

Not To Scale

Sportsfield Specialties Inc 11202020