



www.sportsfield.com | 888-975-3343

*Excellence from
Design to Installation*



Lacrosse Netting Systems



Sportsfield Specialties, Inc. 41155 State Hwy 10. Delhi, NY 13753



Excellence from Design to Installation



Lacrosse Netting Systems

Product Overview

- Industry leading provider of protective netting solutions
- 8' to 10' heights commonly used for lacrosse and field hockey applications
- 2" schedule 80 (2-3/8" O.D.) aluminum poles
- Black super durable powder coated finish
- Black #36 gauge nylon, 1-3/4" square mesh net
- Ground sleeves and corresponding caps permit optional removal

Item Number	Product Description
BSS28	Semi-permanent lacrosse netting system, ground sleeve inserted - 8'H
BSS210	Semi-permanent lacrosse netting system, ground sleeve inserted - 10'H
BSS28PT	Portable lacrosse netting system - 8'H
BSS210PT	Portable lacrosse netting system - 10'H

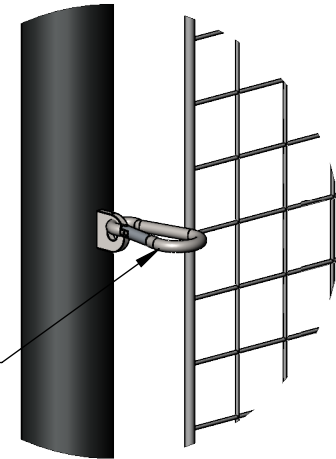
TOP OF POLE

ATTACHMENT TAB FOR RE-TENSIONING NET AFTER IT STRETCHES

5/16" QUICK-CLIP SPRING HOOK

1/8" GALVANIZED WIRE ROPE BLACK VINYL COATED TO 3/16" ASSEMBLY

3/16" QUICK-CLIP SPRING HOOK CENTER TABS ON POLES



MIDDLE OF POLE

2.375" O.D. (2" SCH 80) ALUMINUM POLE

LOWER ATTACHMENT TAB

24" GROUND SLEEVE

1-3/4" SQUARE MESH NET WITH SEWN ROPE BINDING ON PERIMETER EDGES

3/16" GALVANIZED WIRE ROPE BLACK VINYL COATED TO 1/4" ASSEMBLY

BOTTOM OF POLE

Sportsfield Specialties, Inc. strongly recommends the removal of all nets prior to exposure to winter weather, including snow and/or ice storms. Whenever possible, the nets should also be lowered prior to any extreme wind events. Removal/Lowering of the nets will mitigate any unforeseen damage to the poles, nets and/or attachment hardware. Storing nets in a dry, pest free location will help extend the life of the nets. Sportsfield Specialties, Inc. will not be held liable or assume responsibility for any damage to the nets, poles and/or corresponding attachment hardware if the nets are not removed/lowered prior to the above described wind and/or weather events.

Standard Black Powder Coated Finish

STANDARD PART NUMBER	DESCRIPTION	EXPECTED NET SAG
BSS28 (TFBSS208P)	8'H SYSTEM	±9"-12"
BSS210 (TFBSS210P)	10'H SYSTEM	±9"-12"
BSS-CUSTOM (TFBSS2_P)	CUSTOM HEIGHTS AVAILABLE UP TO 10'	

Foundation requirements based on local codes and soil conditions

PROPRIETARY AND CONFIDENTIAL

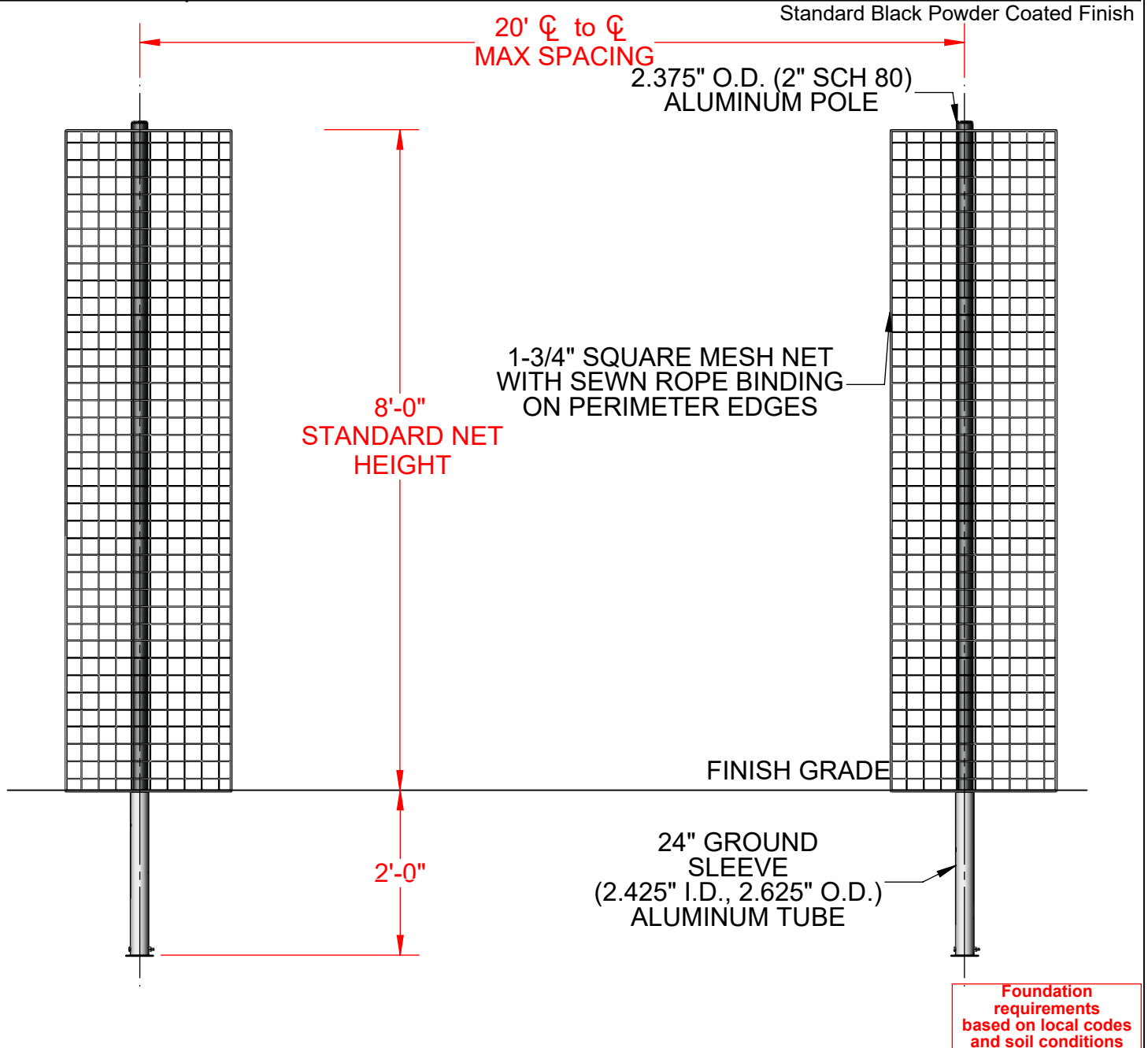
THE INFORMATION CONTAINED IN THIS DRAWING IS THE SOLE PROPERTY OF SPORTSFIELD SPECIALTIES INC. ANY REPRODUCTION IN PART OR AS A WHOLE WITHOUT THE WRITTEN PERMISSION OF SPORTSFIELD SPECIALTIES INC. IS PROHIBITED.

2" Straight Pole Ball Safety Netting System

Not To Scale

Sportsfield Specialties Inc 105604.1-221212

Sportsfield Specialties, Inc. strongly recommends the removal of all nets prior to exposure to winter weather, including snow and/or ice storms. Whenever possible, the nets should also be lowered prior to any extreme wind events. Removal/Lowering of the nets will mitigate any unforeseen damage to the poles, nets and/or attachment hardware. Storing nets in a dry, pest free location will help extend the life of the nets. Sportsfield Specialties, Inc. will not be held liable or assume responsibility for any damage to the nets, poles and/or corresponding attachment hardware if the nets are not removed/lowered prior to the above described wind and/or weather events.



PROPRIETARY AND CONFIDENTIAL

THE INFORMATION CONTAINED IN THIS DRAWING IS THE SOLE PROPERTY OF SPORTSFIELD SPECIALTIES INC. ANY REPRODUCTION IN PART OR AS A WHOLE WITHOUT THE WRITTEN PERMISSION OF SPORTSFIELD SPECIALTIES INC. IS PROHIBITED.

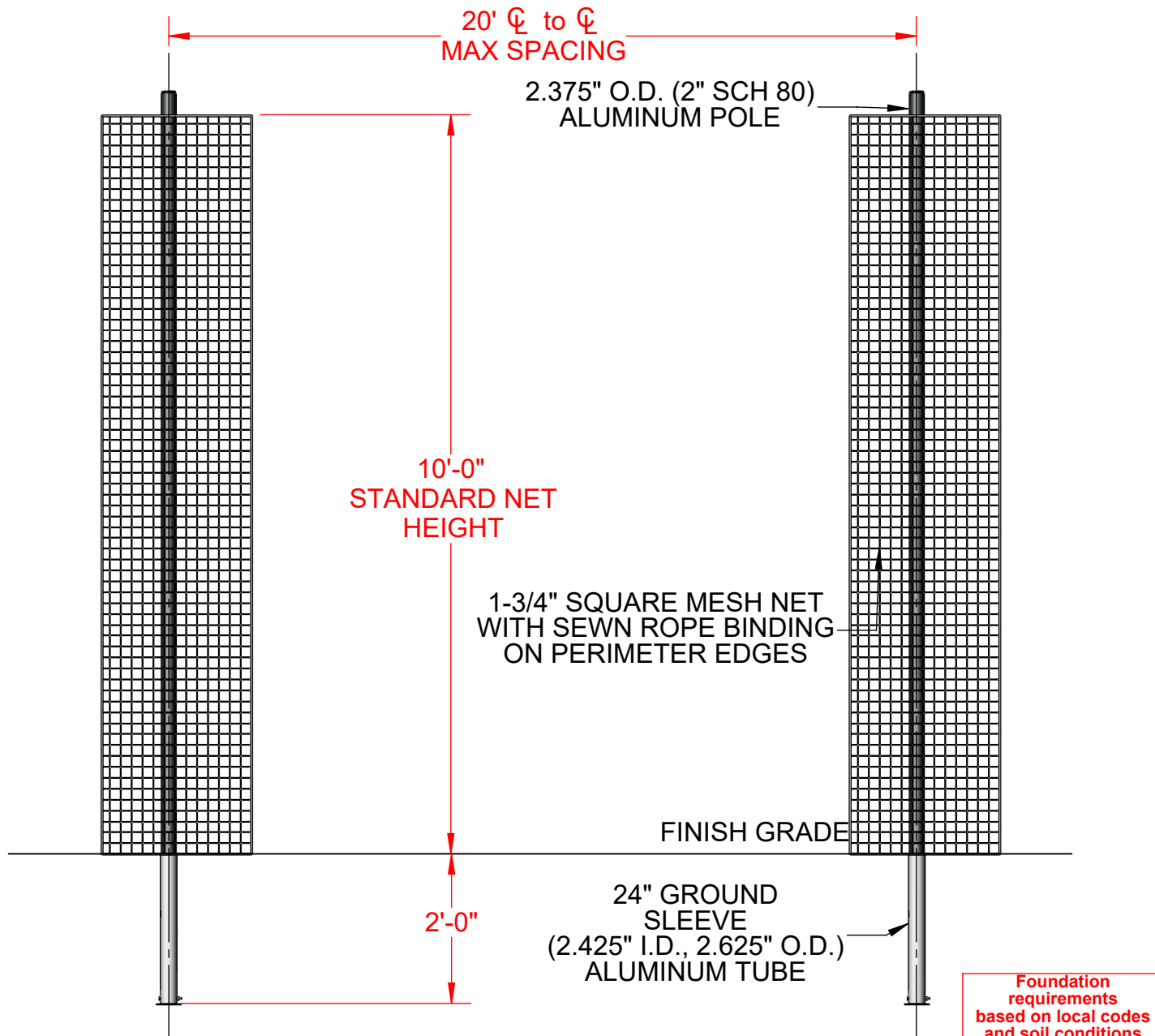
BSS28 8' Ball Safety Netting System

Not To Scale

Sportsfield Specialties Inc 105605.1-221212

Sportsfield Specialties, Inc. strongly recommends the removal of all nets prior to exposure to winter weather, including snow and/or ice storms. Whenever possible, the nets should also be lowered prior to any extreme wind events. Removal/Lowering of the nets will mitigate any unforeseen damage to the poles, nets and/or attachment hardware. Storing nets in a dry, pest free location will help extend the life of the nets. Sportsfield Specialties, Inc. will not be held liable or assume responsibility for any damage to the nets, poles and/or corresponding attachment hardware if the nets are not removed/lowered prior to the above described wind and/or weather events.

Standard Black Powder Coated Finish



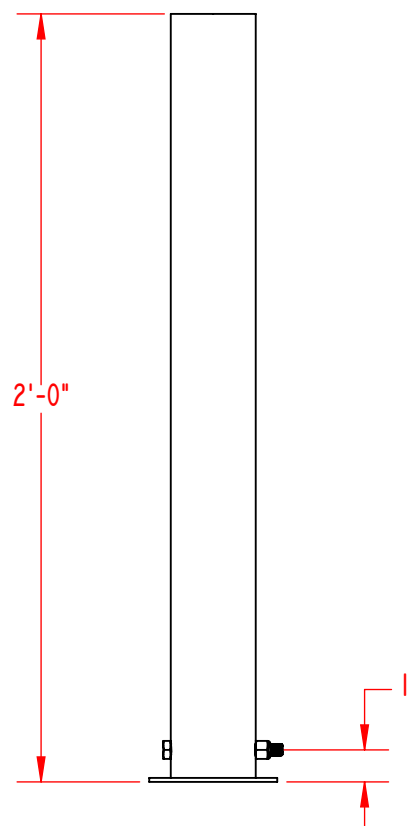
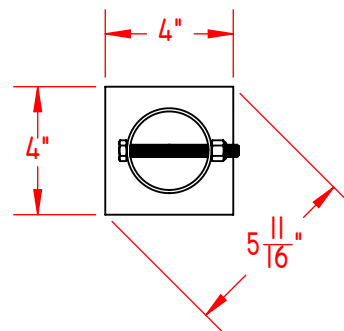
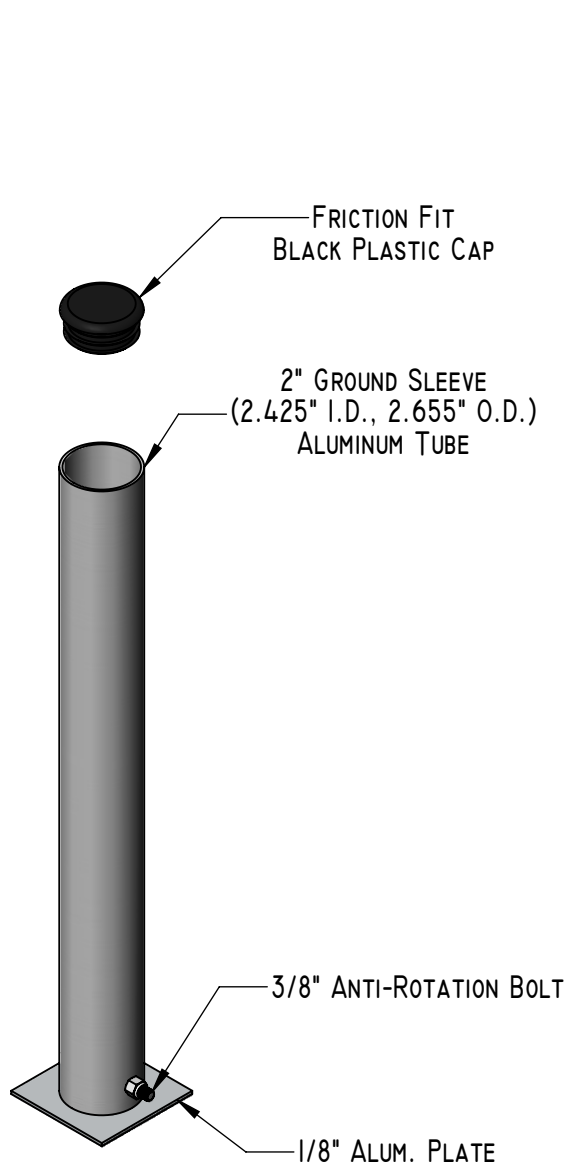
PROPRIETARY AND CONFIDENTIAL

THE INFORMATION CONTAINED IN THIS DRAWING IS THE SOLE PROPERTY OF SPORTSFIELD SPECIALTIES INC. ANY REPRODUCTION IN PART OR AS A WHOLE WITHOUT THE WRITTEN PERMISSION OF SPORTSFIELD SPECIALTIES INC. IS PROHIBITED.

BSS210 10'H Ball Safety Netting System

Not To Scale

Sportsfield Specialties Inc 105607.1-221212



PROPRIETARY AND CONFIDENTIAL

THE INFORMATION CONTAINED IN THIS DRAWING IS THE SOLE PROPERTY OF SPORTSFIELD SPECIALTIES INC. ANY REPRODUCTION IN PART OR AS A WHOLE WITHOUT THE WRITTEN PERMISSION OF SPORTSFIELD SPECIALTIES INC. IS PROHIBITED.

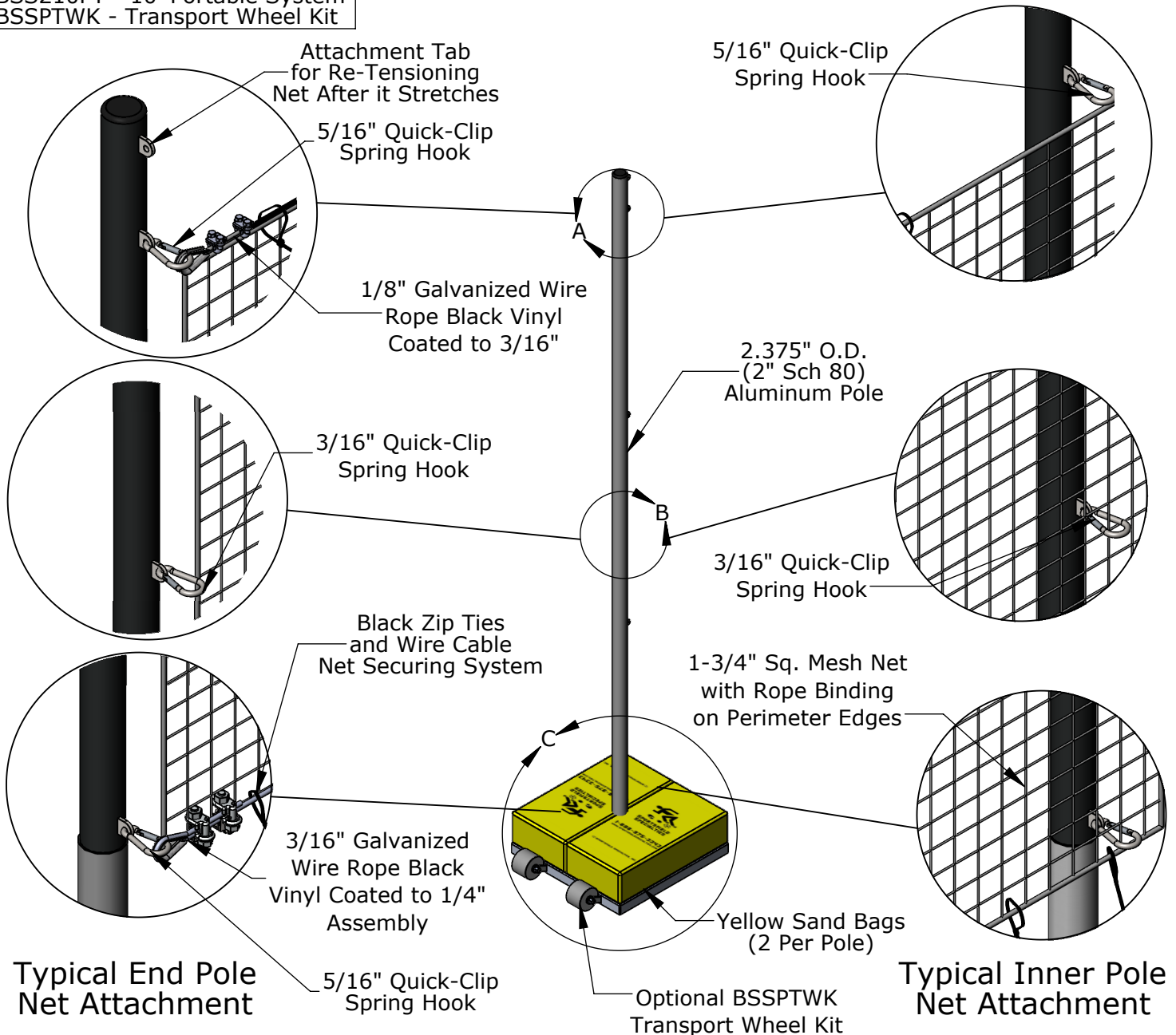
NOT TO SCALE

GS224 (GS-02-24)
24" GROUND SLEEVE FOR 2.375" O.D. POLE

SPORTSFIELD SPECIALTIES INC 10192017

Standard Part Numbers:
 BSS28PT - 8' Portable System
 BSS210PT - 10' Portable System
 BSSPTWK - Transport Wheel Kit

Standard Black Powder Coated Finish



Sportsfield Specialties strongly recommends the removal of all nets prior to exposure to winter weather, including snow and/or ice storms. The nets should also be removed prior to any extreme wind events whenever possible. Removal will prevent pole damage in the above scenarios, and mitigate any unforeseen damage to the net itself. Store all nets in a dry, pest free location.

PROPRIETARY AND CONFIDENTIAL

THE INFORMATION CONTAINED IN THIS DRAWING IS THE SOLE PROPERTY OF SPORTSFIELD SPECIALTIES INC. ANY REPRODUCTION IN PART OR AS A WHOLE WITHOUT THE WRITTEN PERMISSION OF SPORTSFIELD SPECIALTIES INC. IS PROHIBITED.

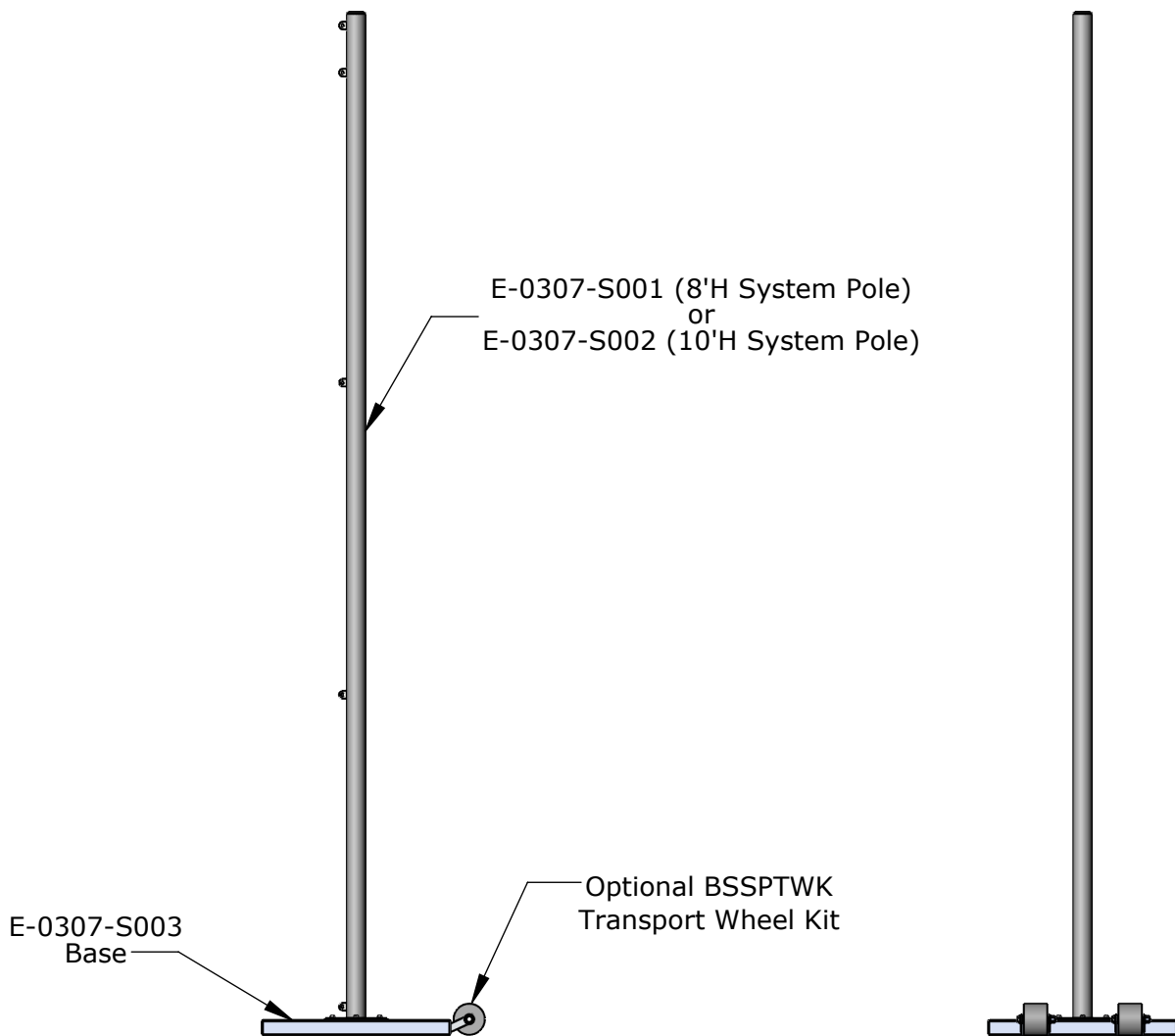
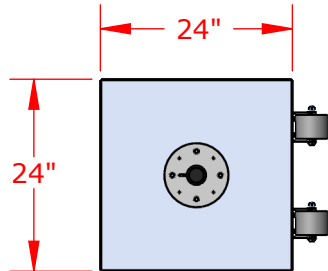
Portable Ball Safety Netting System

Not To Scale

Sportsfield Specialties Inc 03022022

Typical Pole Spacing: 20' \varnothing to \varnothing

Note: Base Should be Secured with Sand Bags



PROPRIETARY AND CONFIDENTIAL

THE INFORMATION CONTAINED IN THIS DRAWING IS THE SOLE PROPERTY OF SPORTSFIELD SPECIALTIES INC. ANY REPRODUCTION IN PART OR AS A WHOLE WITHOUT THE WRITTEN PERMISSION OF SPORTSFIELD SPECIALTIES INC. IS PROHIBITED.

Portable Ball Safety Netting System

Not To Scale

Sportsfield Specialties Inc 03022022

2" WEB NYLON HANDLES FOR TRANSPORT PURPOSES (BOTH ENDS)



YELLOW VINYL SAND BAG WITH SSI DIGITALLY PRINTED LOGO, ZIPPER/VELCRO FLAP CLOSURE, HOLDS APPROXIMATELY 50 LBS. OF SAND (SAND NOT INCLUDED)



PROPRIETARY AND CONFIDENTIAL

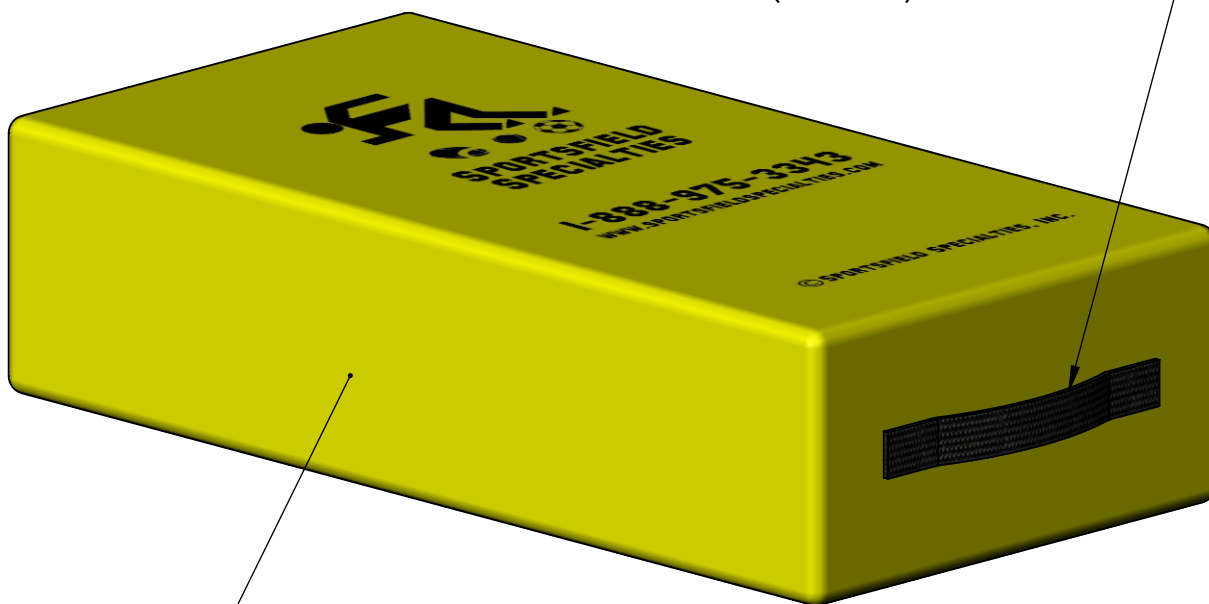
THE INFORMATION CONTAINED IN THIS DRAWING IS THE SOLE PROPERTY OF SPORTSFIELD SPECIALTIES INC. ANY REPRODUCTION IN PART OR AS A WHOLE WITHOUT THE WRITTEN PERMISSION OF SPORTSFIELD SPECIALTIES INC. IS PROHIBITED.

SB50 - 50 LB. SAND BAG

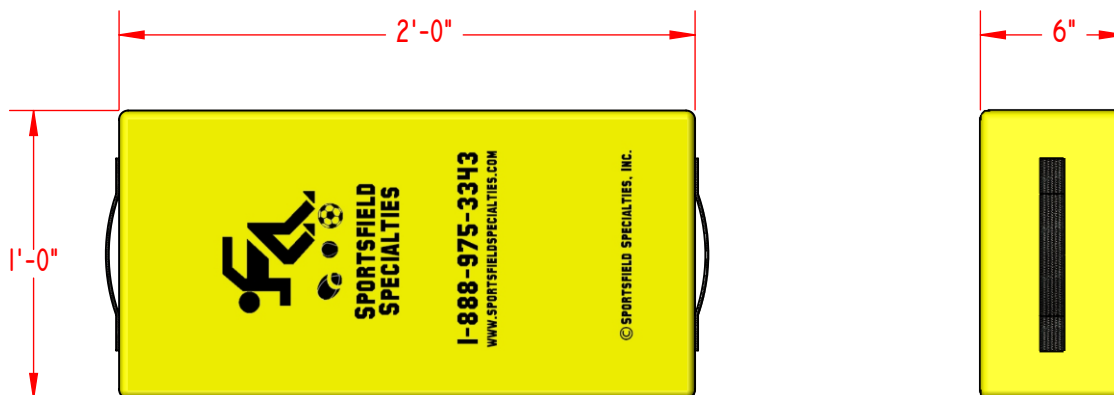
NOT TO SCALE

SPORTSFIELD SPECIALTIES INC 05082018

2" WEB NYLON HANDLES FOR TRANSPORT PURPOSES
(BOTH ENDS)



YELLOW VINYL SAND BAG WITH SSI DIGITALLY PRINTED LOGO,
ZIPPER/VELCRO FLAP CLOSURE, HOLDS APPROXIMATELY
100 LBS. OF SAND (SAND NOT INCLUDED)



PROPRIETARY AND CONFIDENTIAL

THE INFORMATION CONTAINED IN THIS DRAWING IS THE SOLE PROPERTY OF SPORTSFIELD SPECIALTIES INC. ANY REPRODUCTION IN PART OR AS A WHOLE WITHOUT THE WRITTEN PERMISSION OF SPORTSFIELD SPECIALTIES INC. IS PROHIBITED.

SBI00 - 100 LB. SAND BAG

NOT TO SCALE

SPORTSFIELD SPECIALTIES INC 05082018

SPORTSFIELD SPECIALTIES

www.sportsfield.com | 888-975-3343

*Excellence from
Design to Installation*



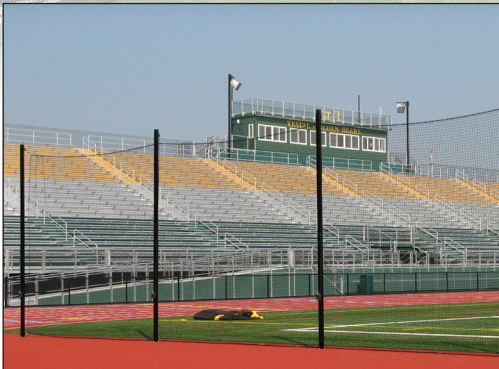
StormGuard® Multi-Sport Netting Systems



Sportsfield Specialties, Inc. 41155 State Hwy 10. Delhi, NY 13753



StormGuard® Multi-Sport Netting Systems



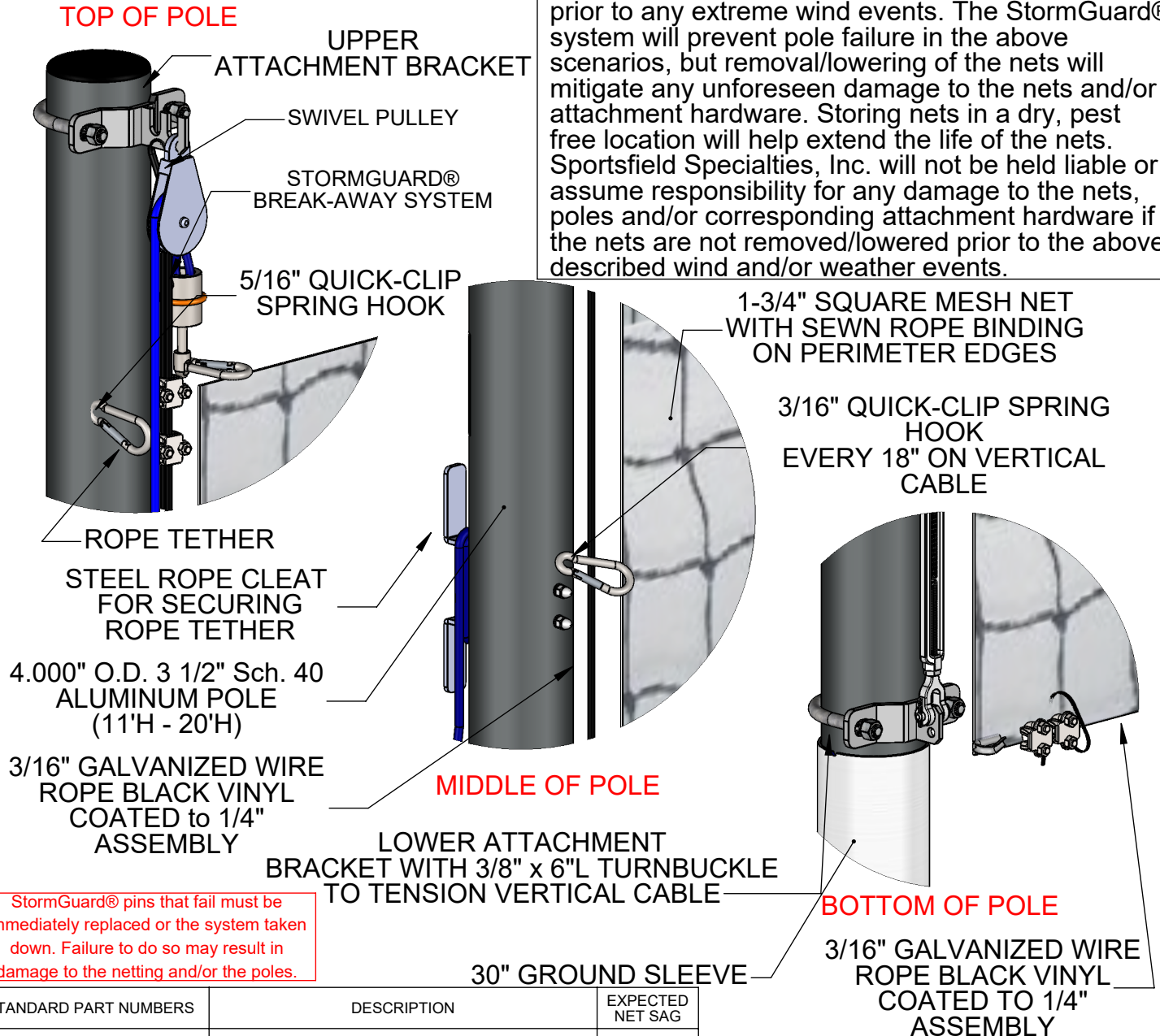
Product Overview

- Industry-leading provider of protective netting solutions
- Patented StormGuard® break-away technology prevents extreme weather failures
- 12' to 40' standard heights commonly used for multi-sport applications
- Easily raise and lower net with convenient pulley and slide-cable system
- Professionally pre-engineered to meet ASCE 7-10 wind rating up to 105 MPH
- Black super durable powder coated aluminum or steel poles
- Black #36 gauge nylon, 1-3/4" square mesh netting material
- Available with stamped drawings and calculations by a licensed professional engineer
- U.S. Patent #9,017,190 and #9,586,123

Item Number	Product Description
BSS412	Straight pole semi-permanent netting system, ground sleeve inserted - 12'H x 4" Dia.
BSS415	Straight pole semi-permanent netting system, ground sleeve inserted - 15'H x 4" Dia.
BSS420	Straight pole semi-permanent netting system, ground sleeve inserted - 20'H x 4" Dia.
BSS625	Straight pole semi-permanent netting system, ground sleeve inserted - 25'H x 6-5/8" Dia.
BSS630	Straight pole semi-permanent netting system, ground sleeve inserted - 30'H x 6-5/8" Dia.
BSS635	Straight pole semi-permanent netting system, ground sleeve inserted - 35'H x 6-5/8" Dia.
BSS640	Straight pole semi-permanent netting system, ground sleeve inserted - 40'H x 6-5/8" Dia.

United States Patent #9,017,190 Issued April 28, 2015
 United States Patent #9,586,123 Issued March 7, 2017
 Standard Black Powder Coated Finish

Sportsfield Specialties, Inc. strongly recommends the removal of all nets prior to exposure to winter weather, including snow and/or ice storms. Whenever possible, the nets should also be lowered prior to any extreme wind events. The StormGuard® system will prevent pole failure in the above scenarios, but removal/lowering of the nets will mitigate any unforeseen damage to the nets and/or attachment hardware. Storing nets in a dry, pest free location will help extend the life of the nets. Sportsfield Specialties, Inc. will not be held liable or assume responsibility for any damage to the nets, poles and/or corresponding attachment hardware if the nets are not removed/lowered prior to the above described wind and/or weather events.



StormGuard® pins that fail must be immediately replaced or the system taken down. Failure to do so may result in damage to the netting and/or the poles.

Foundation requirements based on local codes and soil conditions

STANDARD PART NUMBERS	DESCRIPTION	EXPECTED NET SAG
BSS412 (TFBSS412P-SG)	12'H SYSTEM	±1'-8"
BSS415 (TFBSS415P-SG)	15'H SYSTEM	±1'-8"
BSS420 (TFBSS420P-SG)	20'H SYSTEM	±2'-2"
BSS-CUSTOM (TFBSS4_P-SG)	CUSTOM HEIGHTS GREATER THAN 10' AND UP TO 20' AVAILABLE	

Professionally Pre-Engineered to Meet ASCE 7-10 Wind Rating up to 105 mph Exposure B

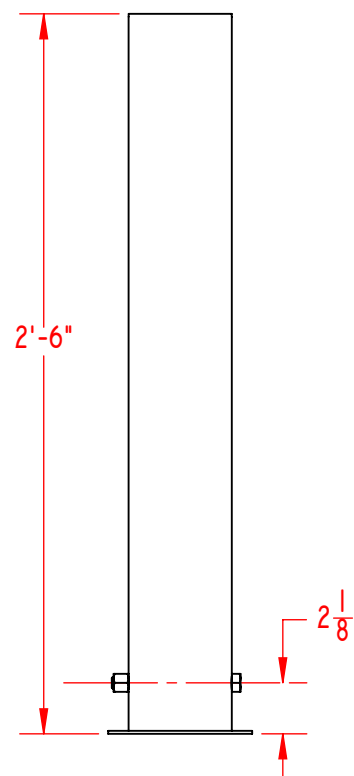
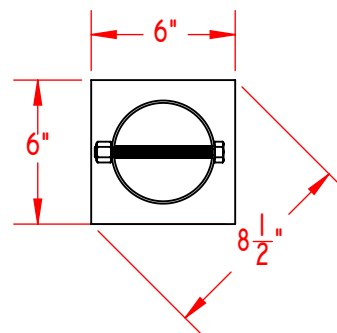
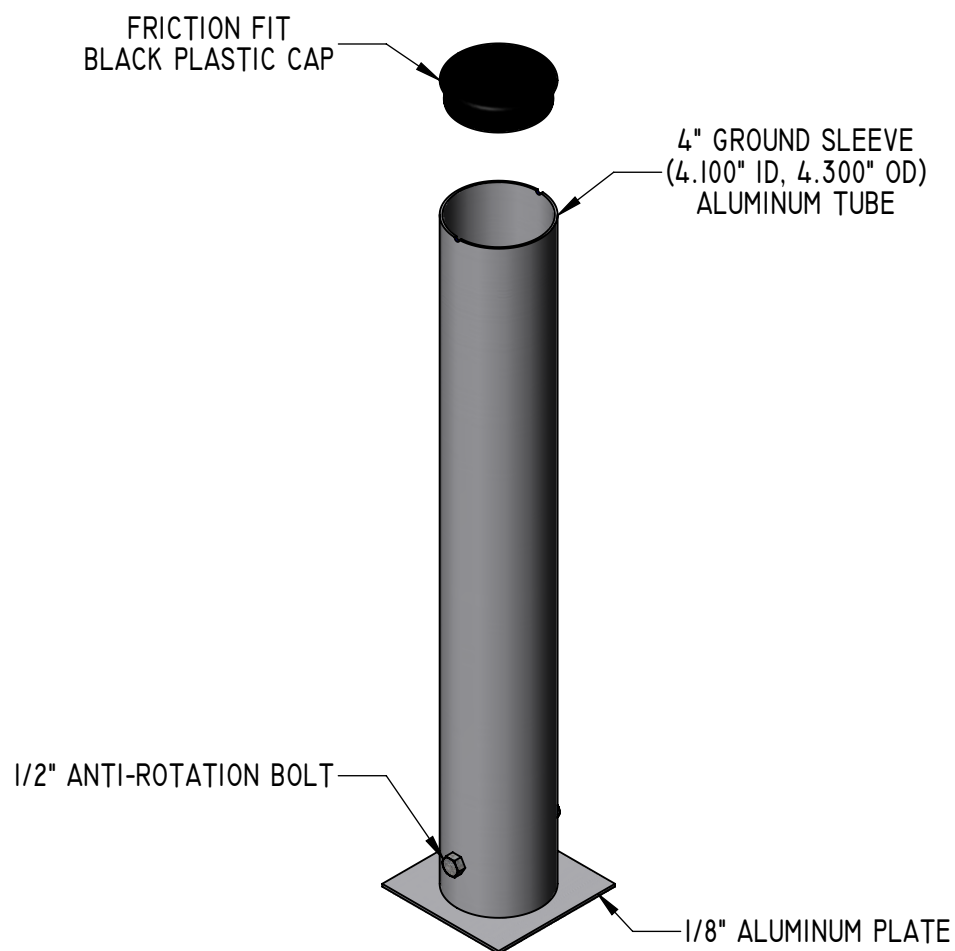
PROPRIETARY AND CONFIDENTIAL

THE INFORMATION CONTAINED IN THIS DRAWING IS THE SOLE PROPERTY OF SPORTSFIELD SPECIALTIES INC. ANY REPRODUCTION IN PART OR AS A WHOLE WITHOUT THE WRITTEN PERMISSION OF SPORTSFIELD SPECIALTIES INC. IS PROHIBITED.

4" Straight Pole StormGuard® Professionally Pre-Engineered Break-Away Ball Safety Netting System

Not To Scale

Sportsfield Specialties Inc 105595.1-221212



PROPRIETARY AND CONFIDENTIAL
THE INFORMATION CONTAINED IN THIS
DRAWING IS THE SOLE PROPERTY OF
SPORTSFIELD SPECIALTIES INC. ANY
REPRODUCTION IN PART OR AS A WHOLE
WITHOUT THE WRITTEN PERMISSION OF
SPORTSFIELD SPECIALTIES INC. IS
PROHIBITED.

NOT TO SCALE

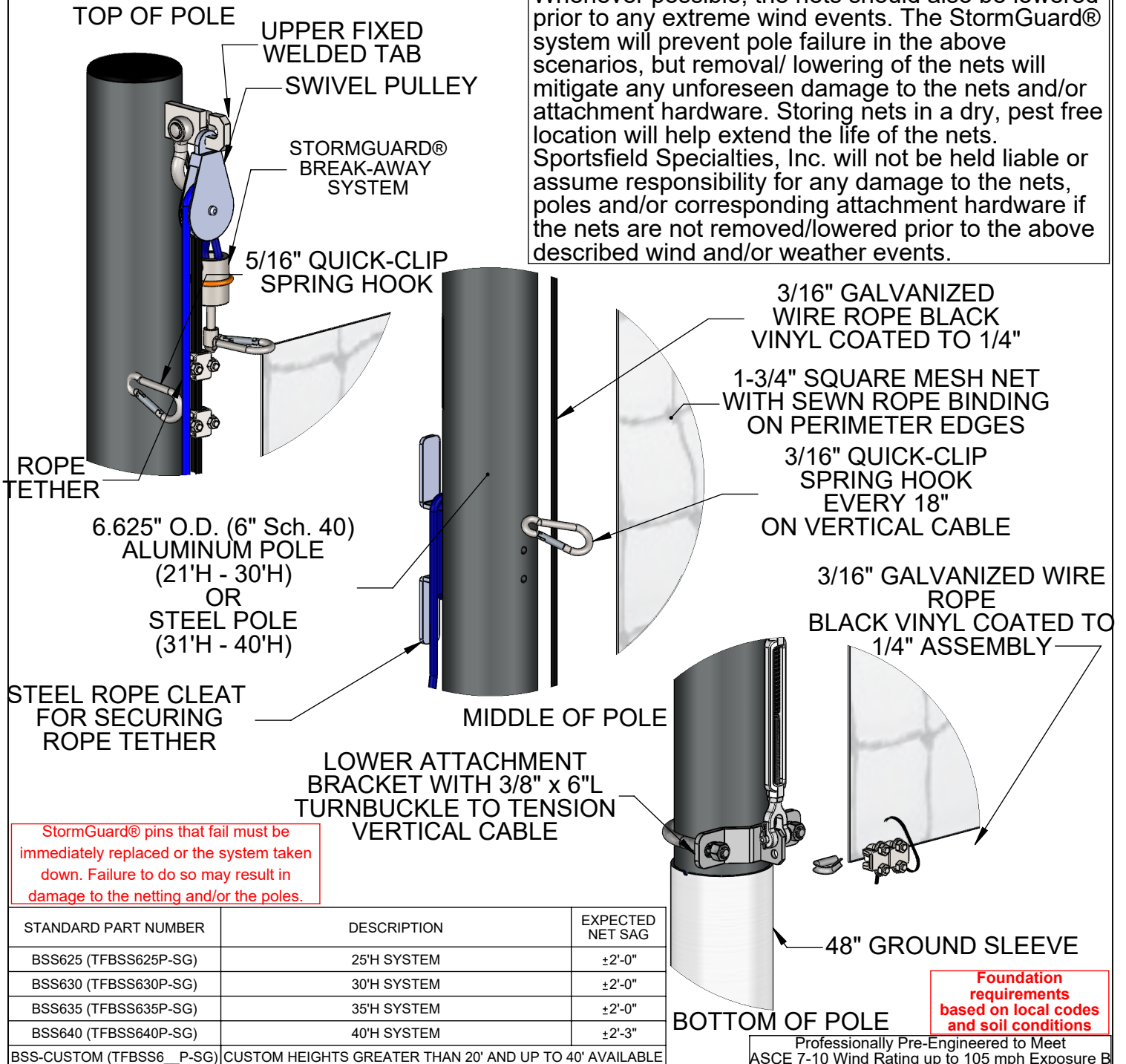
GS430 (GS-04-30)
30" GROUND SLEEVE FOR 4.000" O.D. POLE

SPORTSFIELD SPECIALTIES INC 10192017

United States Patent #9,017,190 Issued April 28, 2015
United States Patent #9,586,123 Issued March 7, 2017

Standard Black Powder Coated Finish

Sportsfield Specialties, Inc. strongly recommends the removal of all nets prior to exposure to winter weather, including snow and/or ice storms. Whenever possible, the nets should also be lowered prior to any extreme wind events. The StormGuard® system will prevent pole failure in the above scenarios, but removal/ lowering of the nets will mitigate any unforeseen damage to the nets and/or attachment hardware. Storing nets in a dry, pest free location will help extend the life of the nets. Sportsfield Specialties, Inc. will not be held liable or assume responsibility for any damage to the nets, poles and/or corresponding attachment hardware if the nets are not removed/lowered prior to the above described wind and/or weather events.



StormGuard® pins that fail must be immediately replaced or the system taken down. Failure to do so may result in damage to the netting and/or the poles.

Foundation requirements based on local codes and soil conditions

STANDARD PART NUMBER	DESCRIPTION	EXPECTED NET SAG
BSS625 (TFBSS625P-SG)	25'H SYSTEM	±2'-0"
BSS630 (TFBSS630P-SG)	30'H SYSTEM	±2'-0"
BSS635 (TFBSS635P-SG)	35'H SYSTEM	±2'-0"
BSS640 (TFBSS640P-SG)	40'H SYSTEM	±2'-3"
BSS-CUSTOM (TFBSS6_P-SG)	CUSTOM HEIGHTS GREATER THAN 20' AND UP TO 40' AVAILABLE	

Professionally Pre-Engineered to Meet ASCE 7-10 Wind Rating up to 105 mph Exposure B

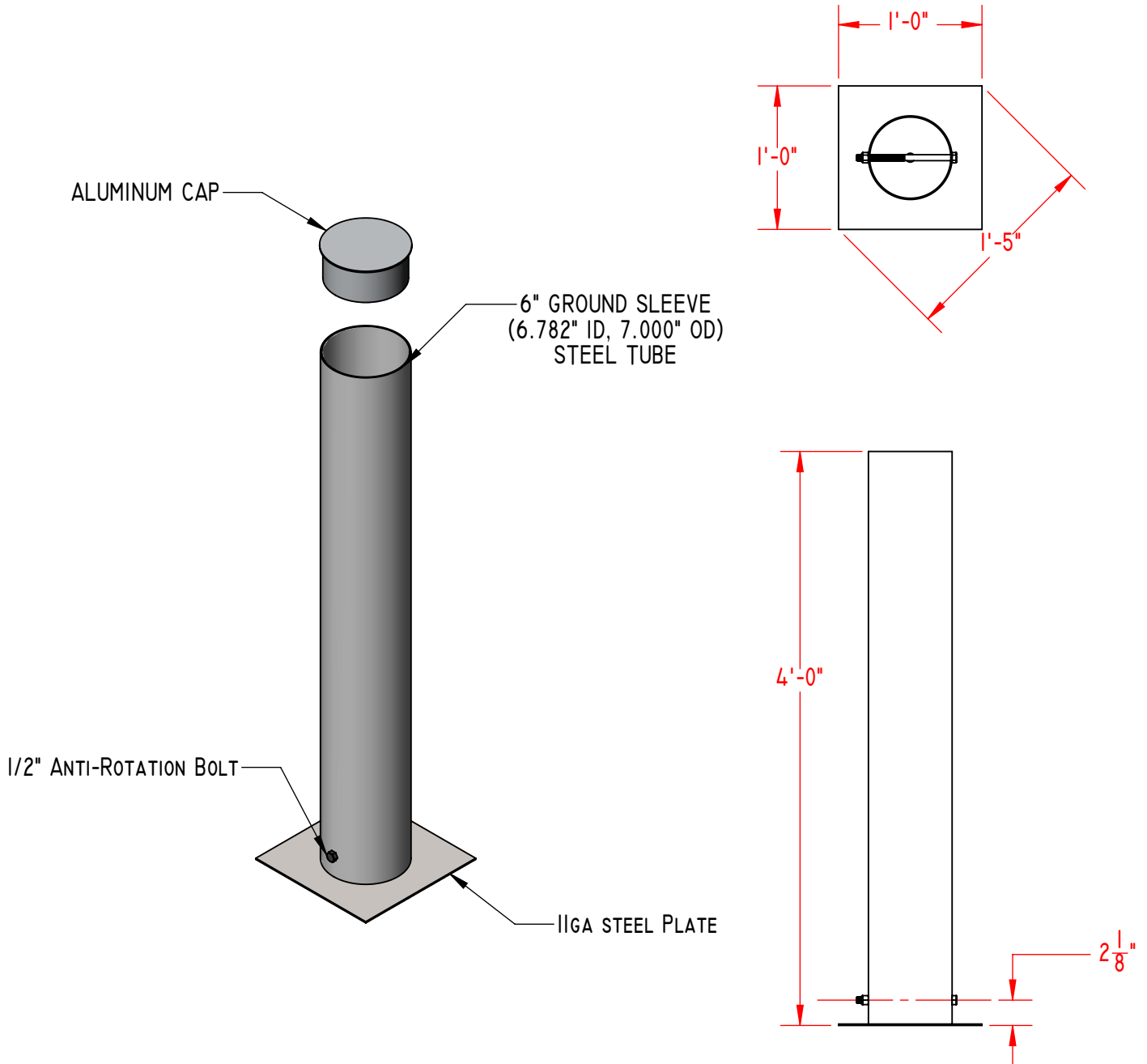
PROPRIETARY AND CONFIDENTIAL

THE INFORMATION CONTAINED IN THIS DRAWING IS THE SOLE PROPERTY OF SPORTSFIELD SPECIALTIES INC. ANY REPRODUCTION IN PART OR AS A WHOLE WITHOUT THE WRITTEN PERMISSION OF SPORTSFIELD SPECIALTIES INC. IS PROHIBITED.

6" Straight Pole StormGaurd® Professionally Pre-Engineered Break-Away Ball Safety Netting System

Not To Scale

Sportsfield Specialties Inc 105597.1-221212



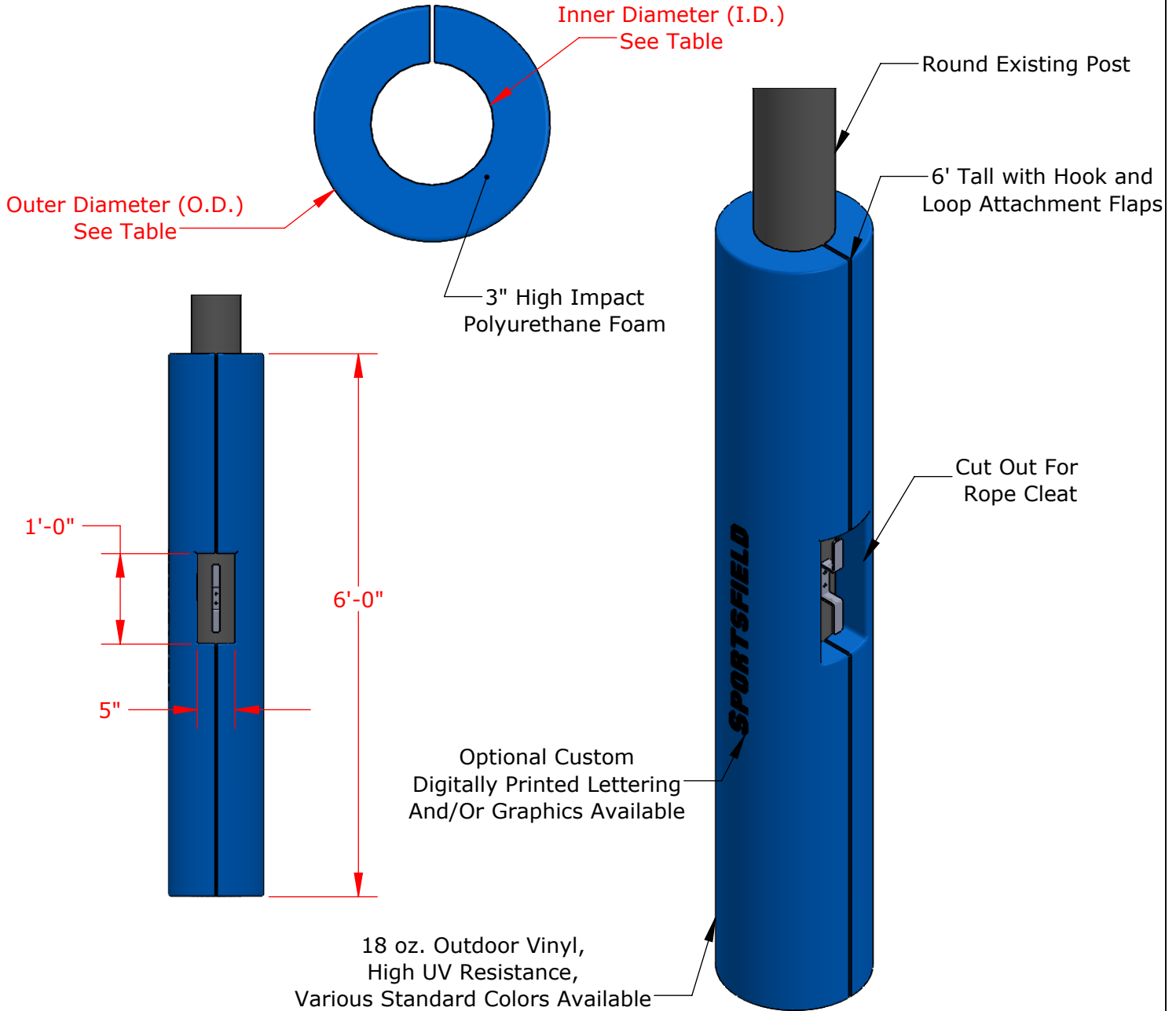
PROPRIETARY AND CONFIDENTIAL

THE INFORMATION CONTAINED IN THIS DRAWING IS THE SOLE PROPERTY OF SPORTSFIELD SPECIALTIES INC. ANY REPRODUCTION IN PART OR AS A WHOLE WITHOUT THE WRITTEN PERMISSION OF SPORTSFIELD SPECIALTIES INC. IS PROHIBITED.

**GS648 (GS-06-48)
 48" GROUND SLEEVE FOR 6.625" O.D. POLE**

NOT TO SCALE

SPORTSFIELD SPECIALTIES INC 10192017



Part Numbers	I.D.	O.D.	Cut Out
BSSPP2	3-1/2"	9 1/2"	None
BSSPP4	6-1/2"	12 1/2"	Included
BSSPP6	9"	15"	Included

Post Pad Sized to Accommodate Standard Ball Safety System Netting Poles

PROPRIETARY AND CONFIDENTIAL

THE INFORMATION CONTAINED IN THIS DRAWING IS THE SOLE PROPERTY OF SPORTSFIELD SPECIALTIES INC. ANY REPRODUCTION IN PART OR AS A WHOLE WITHOUT THE WRITTEN PERMISSION OF SPORTSFIELD SPECIALTIES INC. IS PROHIBITED.

Ball Safety System Netting Post Pad

Not To Scale

Sportsfield Specialties Inc 06042020



www.sportsfield.com | 888-975-3343

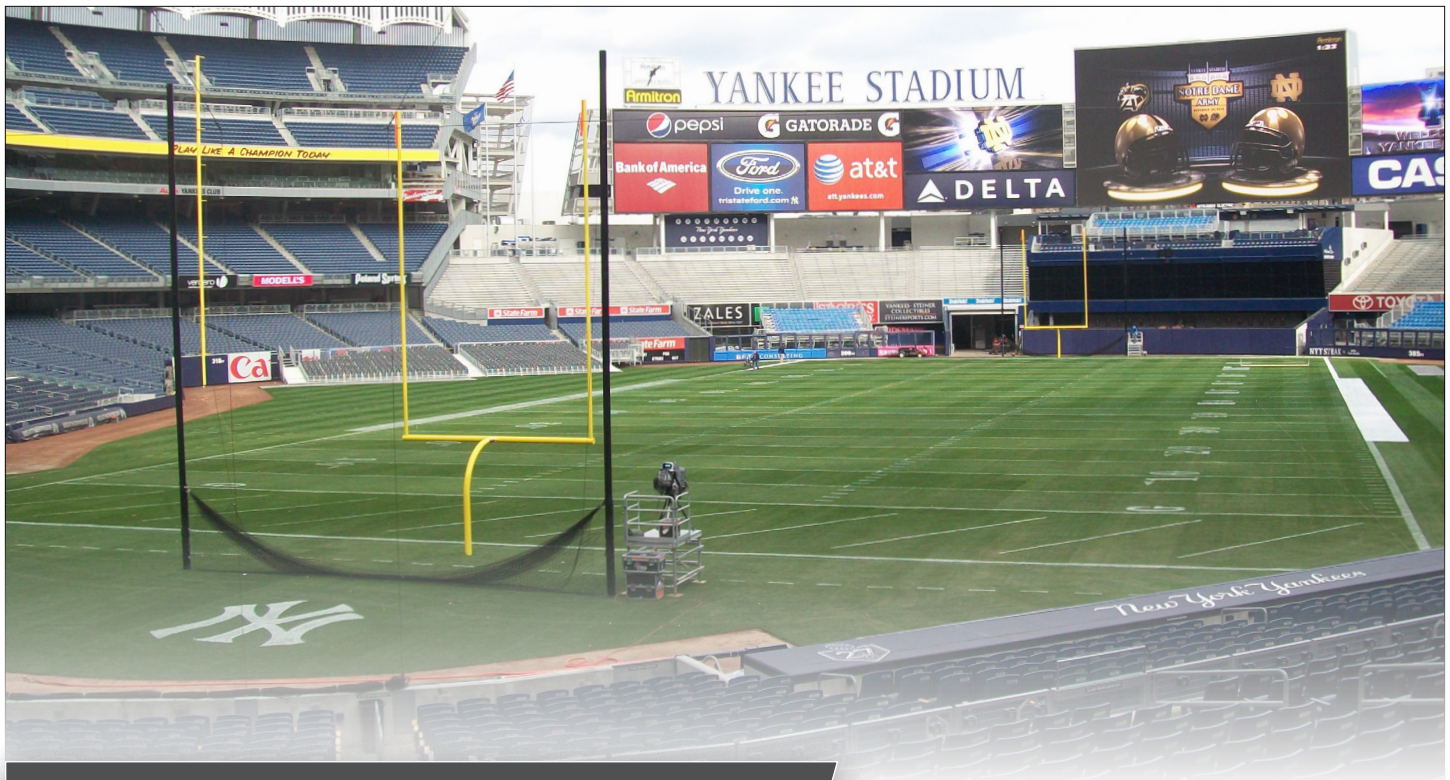
*Excellence from
Design to Installation*



Football Netting Systems



Sportsfield Specialties, Inc. 41155 State Hwy 10. Delhi, NY 13753



Excellence from Design to Installation



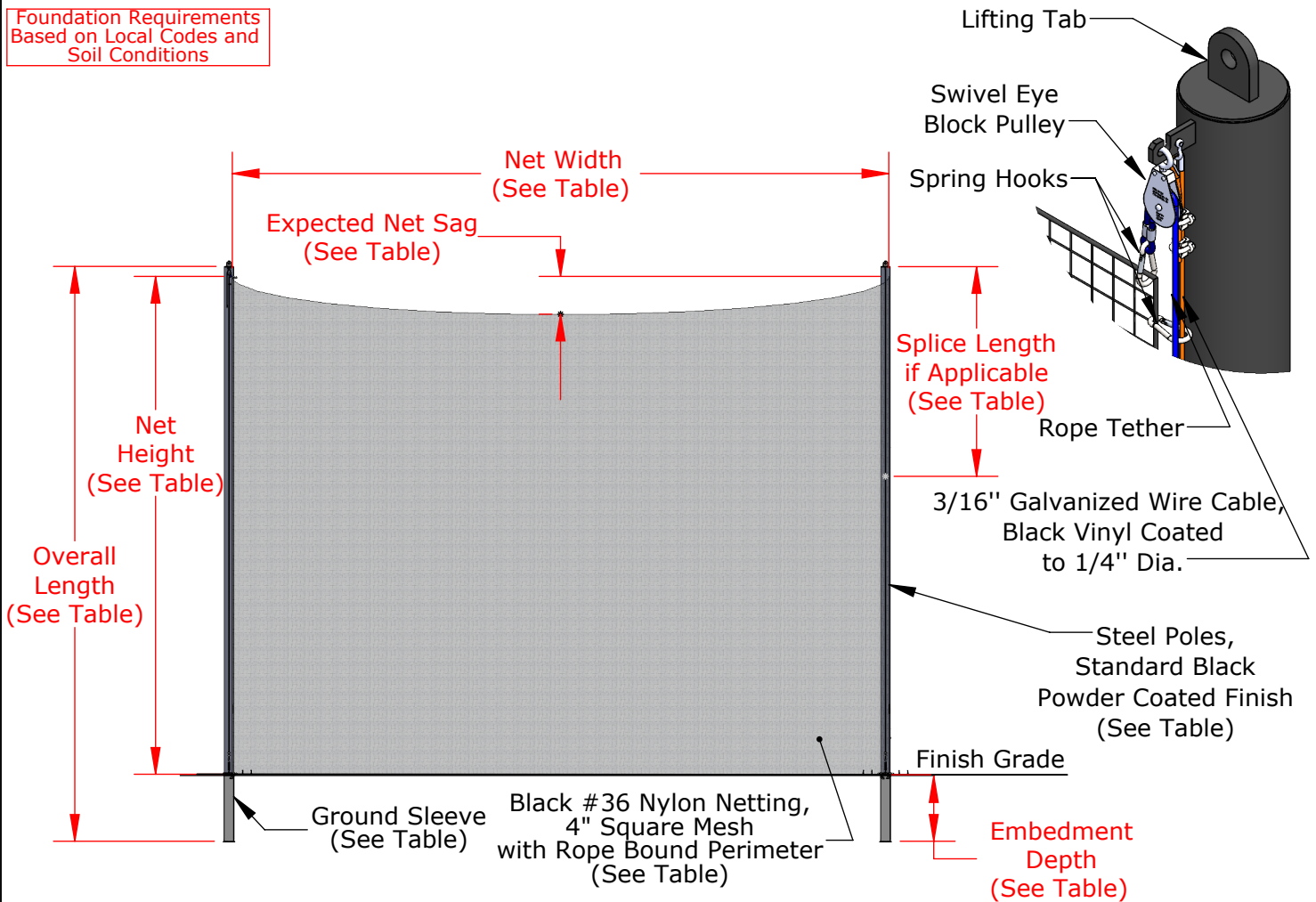
Football Netting Systems

Product Overview

- Industry leading provider of protective netting solutions
- Designed for football applications to catch field goals & PATs
- 40' to 60' spacing prevents poles from entering kicker's line of sight
- Black super durable powder coated steel poles with ground sleeves
- Black 4" square mesh net with sewn perimeter binding
- Easily raise and lower net via pulley and vertical slide cable system

Item Number	Product Description
FSNS63040	Football safety netting system - 30'H x 40'W
FSNS64040	Football safety netting system - 40'H x 40'W
FSNS64050	Football safety netting system - 40'H x 50'W
FSNS64540	Football safety netting system - 45'H x 40'W
FSNS64550	Football safety netting system - 45'H x 50'W
FSNS85040	Football safety netting system - 50'H x 40'W
FSNS85050	Football safety netting system - 50'H x 50'W
FSNS106040	Football safety netting system - 60'H x 40'W
FSNS106050	Football safety netting system - 60'H x 50'W
FSNS106060	Football safety netting system - 60'H x 60'W

Foundation Requirements
Based on Local Codes and
Soil Conditions



Part No.	Net Height	Net Width	Overall Length	Embedment Depth	Ground Sleeve	Splice Length	Pole Material	Minimum Foundation Diameter	Expected Net Sag
FSNS63040	30'-0"	40'-0"	35'-0"	4'-0"	GS648	N/A	HSS 6.625 x 0.280	24"	2'-2"
FSNS64040	40'-0"	40'-0"	45'-0"	4'-0"	GS648	N/A	HSS 6.625 x 0.280	30"	2'-2"
FSNS64050	40'-0"	50'-0"	45'-0"	4'-0"	GS648	N/A	HSS 6.625 x 0.280	30"	3'-0"
FSNS64540	45'-0"	40'-0"	50'-0"	4'-0"	GS648	N/A	HSS 6.625 x 0.280	30"	2'-2"
FSNS64550	45'-0"	50'-0"	50'-0"	4'-0"	GS648	N/A	HSS 6.625 x 0.280	30"	3'-0"
FSNS85040	50'-0"	40'-0"	56'-0"	5'-0"	GSO860	16'-0"	HSS 8.625 x 0.322	30"	2'-2"
FSNS85050	50'-0"	50'-0"	56'-0"	5'-0"	GSO860	16'-0"	HSS 8.625 x 0.322	36"	3'-0"
FSNS106040	60'-0"	40'-0"	66'-0"	5'-0"	GSO1060	16'-0"	HSS 10.75 x 0.365	30"	2'-2"
FSNS106050	60'-0"	50'-0"	66'-0"	5'-0"	GSO1060	16'-0"	HSS 10.75 x 0.365	36"	3'-0"
FSNS106060	60'-0"	60'-0"	66'-0"	5'-0"	GSO1060	16'-0"	HSS 10.75 x 0.365	36"	3'-6"

The net must be lowered to the ground when the wind speed is forecast to exceed 60 mph and/or prior to any extreme wind events. Sportsfield Specialties, Inc. strongly recommends the removal of the net prior to exposure to winter weather, including snow and/or ice storms. Removal/Lowering of the net will mitigate any unforeseen damage to the poles, net and/or attachment hardware. Storing the net in a dry, pest free location will help extend the life of the net. Sportsfield Specialties, Inc. will not be held liable or assume responsibility for any damage to the net, poles and/or corresponding attachment hardware if the net is not removed/lowered prior to the above described wind and/or weather events.

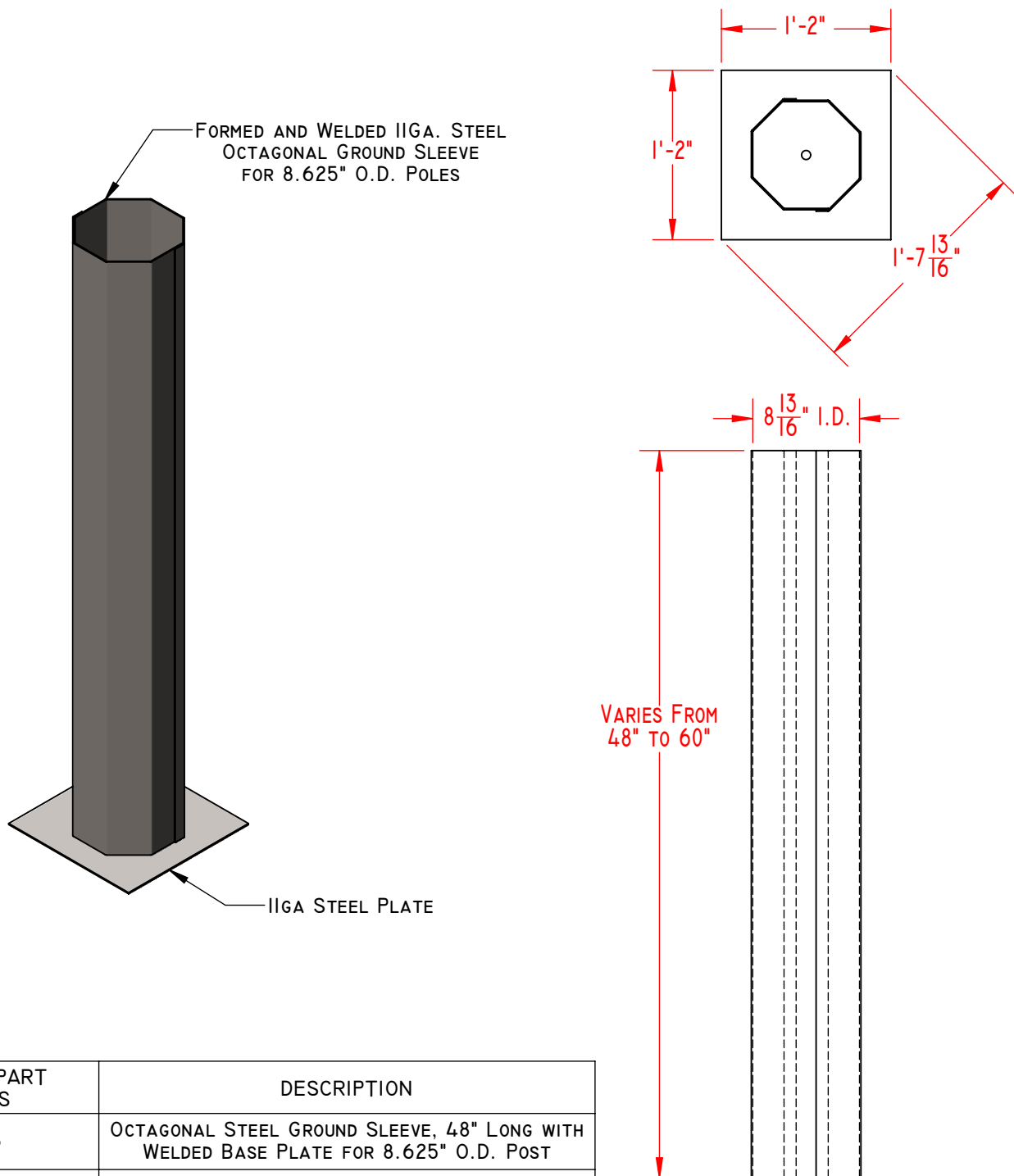
PROPRIETARY AND CONFIDENTIAL

THE INFORMATION CONTAINED IN THIS DRAWING IS THE SOLE PROPERTY OF SPORTSFIELD SPECIALTIES INC. ANY REPRODUCTION IN PART OR AS A WHOLE WITHOUT THE WRITTEN PERMISSION OF SPORTSFIELD SPECIALTIES INC. IS PROHIBITED.

Football Safety Netting System

Not To Scale

Sportsfield Specialties Inc 07062022



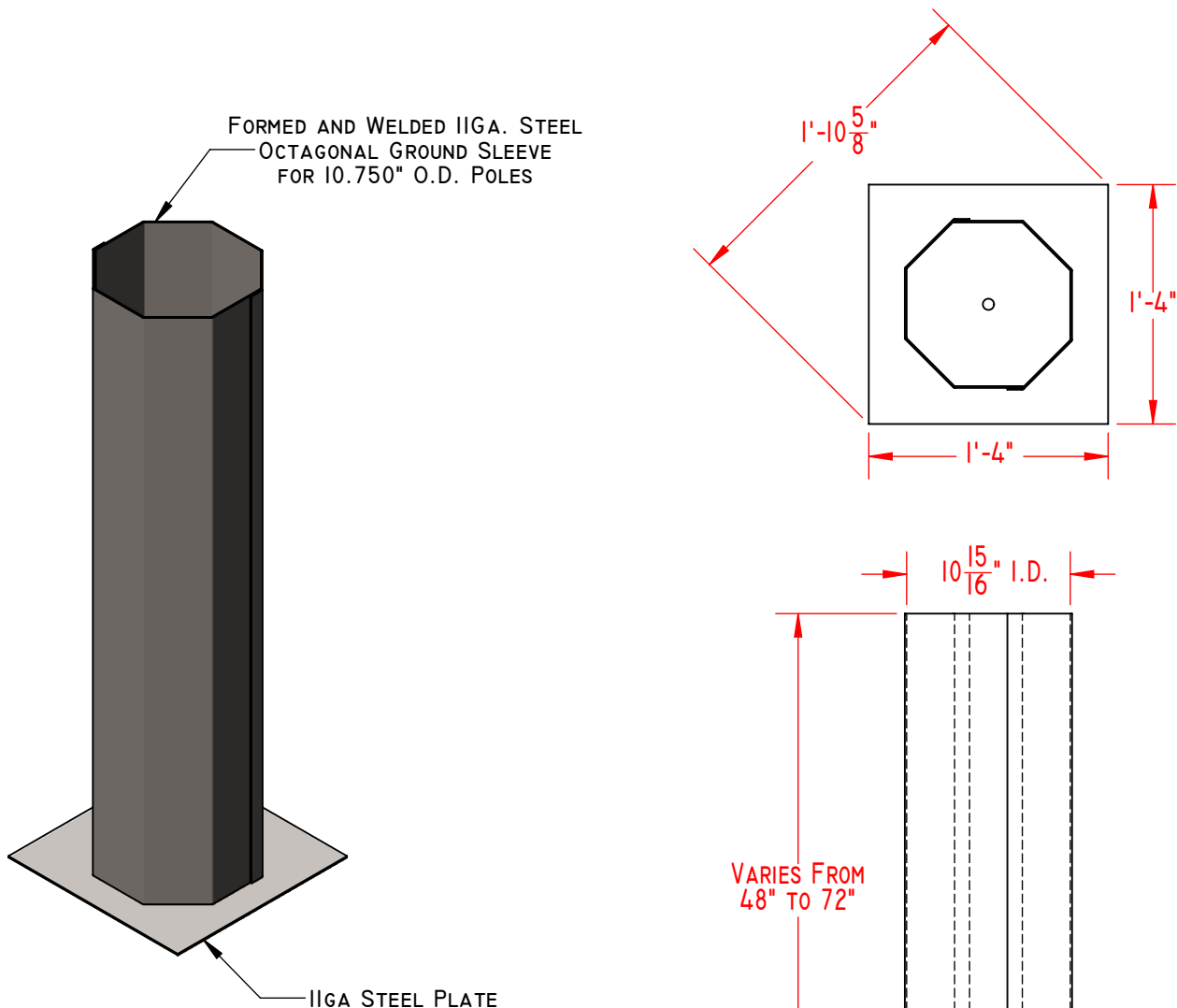
STANDARD PART NUMBERS	DESCRIPTION
GS0848	OCTAGONAL STEEL GROUND SLEEVE, 48" LONG WITH WELDED BASE PLATE FOR 8.625" O.D. Post
GS0860	OCTAGONAL STEEL GROUND SLEEVE, 60" LONG WITH WELDED BASE PLATE FOR 8.625" O.D. Post

PROPRIETARY AND CONFIDENTIAL
THE INFORMATION CONTAINED IN THIS DRAWING IS THE SOLE PROPERTY OF SPORTSFIELD SPECIALTIES INC. ANY REPRODUCTION IN PART OR AS A WHOLE WITHOUT THE WRITTEN PERMISSION OF SPORTSFIELD SPECIALTIES INC. IS PROHIBITED.

**GS08XX
GROUND SLEEVE FOR 8.625" O.D. POLE**

NOT TO SCALE

SPORTSFIELD SPECIALTIES INC 10032018



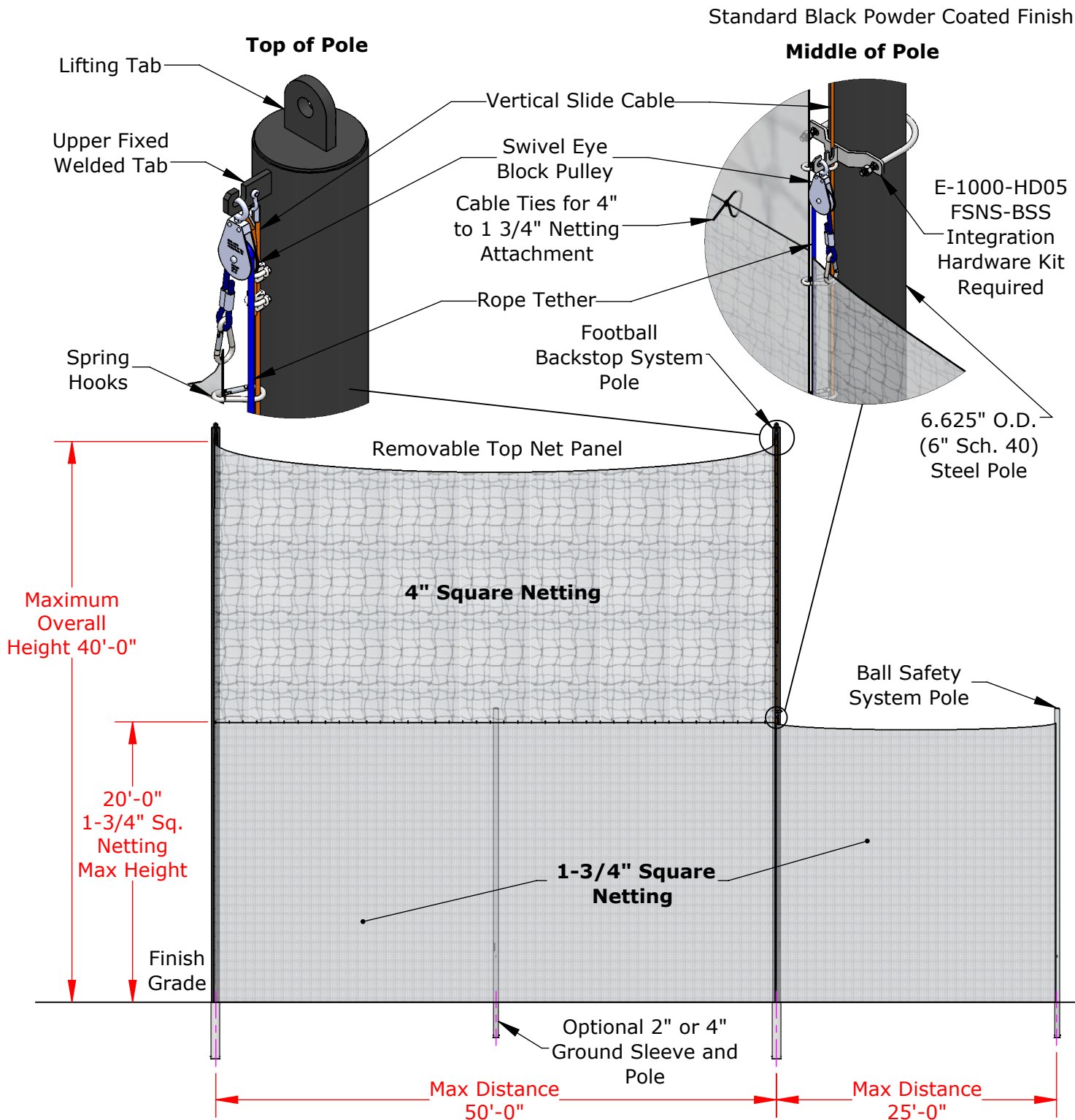
STANDARD PART NUMBERS	DESCRIPTION
GSO1048	OCTAGONAL STEEL GROUND SLEEVE, 48" LONG WITH WELDED BASE PLATE FOR 10.75" O.D. POST
GSO1060	OCTAGONAL STEEL GROUND SLEEVE, 60" LONG WITH WELDED BASE PLATE FOR 10.75" O.D. POST
GSO1072	OCTAGONAL STEEL GROUND SLEEVE, 72" LONG WITH WELDED BASE PLATE FOR 10.75" O.D. POST

PROPRIETARY AND CONFIDENTIAL
THE INFORMATION CONTAINED IN THIS DRAWING IS THE SOLE PROPERTY OF SPORTSFIELD SPECIALTIES INC. ANY REPRODUCTION IN PART OR AS A WHOLE WITHOUT THE WRITTEN PERMISSION OF SPORTSFIELD SPECIALTIES INC. IS PROHIBITED.

GSO10XX
GROUND SLEEVE FOR 10.750" O.D. POLE

NOT TO SCALE

SPORTSFIELD SPECIALTIES INC 10032018



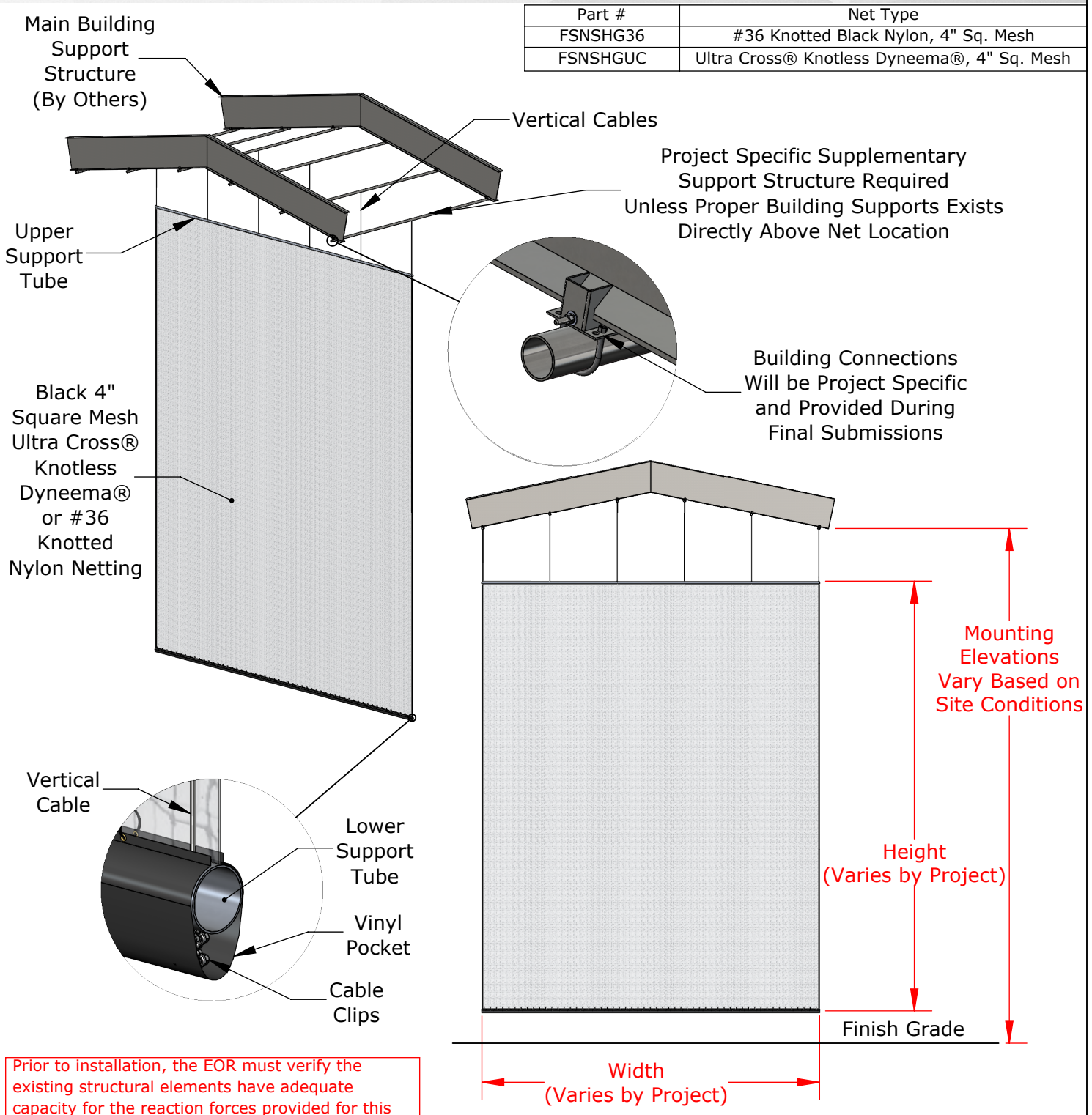
PROPRIETARY AND CONFIDENTIAL

THE INFORMATION CONTAINED IN THIS DRAWING IS THE SOLE PROPERTY OF SPORTSFIELD SPECIALTIES INC. ANY REPRODUCTION IN PART OR AS A WHOLE WITHOUT THE WRITTEN PERMISSION OF SPORTSFIELD SPECIALTIES INC. IS PROHIBITED.

FSNS-BSS Football Safety Netting System / Ball Safety System Integration

Not To Scale

Sportsfield Specialties Inc 07062022



Part #	Net Type
FSNSHG36	#36 Knotted Black Nylon, 4" Sq. Mesh
FSNSHGUC	Ultra Cross® Knotless Dyneema®, 4" Sq. Mesh

Prior to installation, the EOR must verify the existing structural elements have adequate capacity for the reaction forces provided for this custom installation.

PROPRIETARY AND CONFIDENTIAL

THE INFORMATION CONTAINED IN THIS DRAWING IS THE SOLE PROPERTY OF SPORTSFIELD SPECIALTIES INC. ANY REPRODUCTION IN PART OR AS A WHOLE WITHOUT THE WRITTEN PERMISSION OF SPORTSFIELD SPECIALTIES INC. IS PROHIBITED.

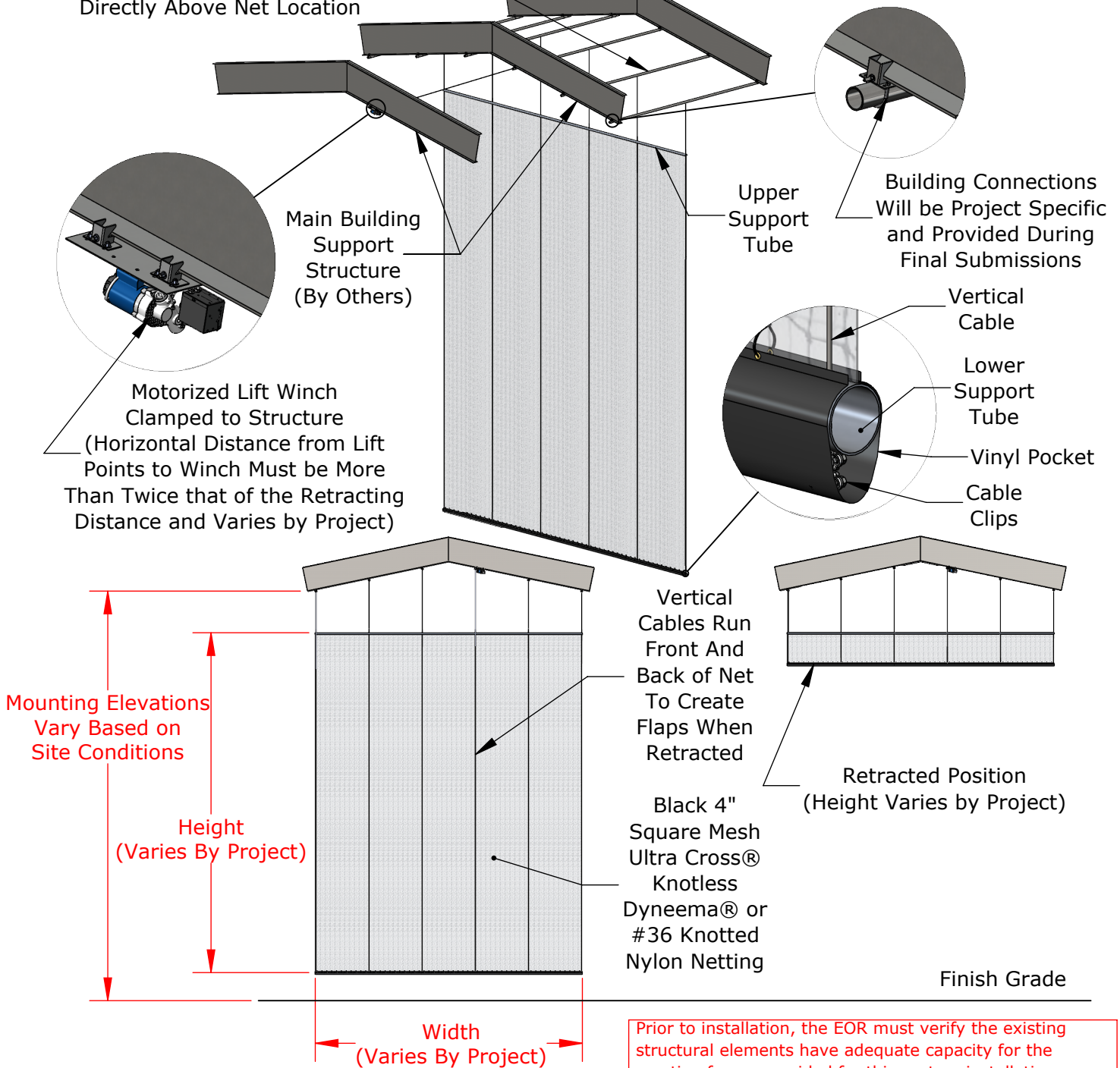
Hanging Football Safety Netting System

Not To Scale

Sportsfield Specialties Inc 09152020

Project Specific Supplementary Support Structure Required Unless Proper Building Supports Exists Directly Above Net Location

Part #	Net Type
FSNSHGR36	#36 Knotted Black Nylon, 4" Sq. Mesh
FSNSHGRUC	Ultra Cross® Knotless Dyneema®, 4" Sq. Mesh



PROPRIETARY AND CONFIDENTIAL

THE INFORMATION CONTAINED IN THIS DRAWING IS THE SOLE PROPERTY OF SPORTSFIELD SPECIALTIES INC. ANY REPRODUCTION IN PART OR AS A WHOLE WITHOUT THE WRITTEN PERMISSION OF SPORTSFIELD SPECIALTIES INC. IS PROHIBITED.

Hanging Retractable Football Safety Netting System

Not To Scale

Sportsfield Specialties Inc 09162020

SPORTSFIELD SPECIALTIES

www.sportsfield.com | 888-975-3343

*Excellence from
Design to Installation*



Scoreboard Netting Systems



Sportsfield Specialties, Inc. 41155 State Hwy 10. Delhi, NY 13753



Scoreboard Netting Systems

Product Overview

- Custom netting systems protect front or rear of scoreboards & video boards
- Prevents indentations and hardware damage caused by balls or implements
- Ultra Cross® Knotless Netting barrier provides 95% see-through visibility
- Systems typically designed with an 18" net offset and 12" of border tolerance
- Features custom support arms with I-beam clamps and tensioned cabling
- Custom designs are adaptable to nearly all scoreboard sizes and applications
- Protect your long-term investment without compromising visibility and function
- Please contact our Sales team for more information!

Excellence from Design to Installation

Item Number	Product Description
SBNS	Custom scoreboard netting





- Length, Height and Configuration as Required
- #36 Knotted Nylon Netting
- 2.16mm (0.0850") Diameter Twine
- 90% Open Mesh Area (See-Through Visibility)
- 13,363 psi Minimum Breaking Strength
- 1-3/4" (44 mm) Square Mesh Size, 0.0425 lbs. per Square Foot
- 3 Strand Twisted Nylon Fiber
- Sewn Perimeter Black Multi-Filament Polypropylene Solid Braid Rope Bound Border - 1/4" Diameter, 530 lb. Minimum Breaking Strength
- Strong Resistance to Ultraviolet (UV) Light Degradation

PROPRIETARY AND CONFIDENTIAL

THE INFORMATION CONTAINED IN THIS DRAWING IS THE SOLE PROPERTY OF SPORTSFIELD SPECIALTIES INC. ANY REPRODUCTION IN PART OR AS A WHOLE WITHOUT THE WRITTEN PERMISSION OF SPORTSFIELD SPECIALTIES INC. IS PROHIBITED.

BSSN36 #36 Knotted Nylon Netting - 1-3/4" Square Mesh

Not To Scale

Sportsfield Specialties Inc 105570.1-221209



- Length, Height and Configuration as Required
- #36 Knotted Nylon Netting
- 2.16mm (0.0850") Diameter Twine
- 13,363 psi Minimum Breaking Strength
- 4" (102 mm) Square Mesh Size
- 3 Strand Twisted Nylon Fiber
- Sewn Perimeter Black Multi-Filament Polypropylene Solid Braid Rope Bound Border - 1/4" Diameter, 530 lb. Minimum Breaking Strength
- Strong Resistance to Ultraviolet (UV) Light Degradation

PROPRIETARY AND CONFIDENTIAL

THE INFORMATION CONTAINED IN THIS DRAWING IS THE SOLE PROPERTY OF SPORTSFIELD SPECIALTIES INC. ANY REPRODUCTION IN PART OR AS A WHOLE WITHOUT THE WRITTEN PERMISSION OF SPORTSFIELD SPECIALTIES INC. IS PROHIBITED.

**BSSN364 #36 Knotted
Nylon Netting - 4" Square Mesh**

Not To Scale

Sportsfield Specialties Inc 105593.1-221212



- Length, Height and Configuration as Required
- Ultra Cross Knotless Dyneema® Netting
- Dyneema® Ultra-High Molecular Weight Polyethylene (UHMWPE) SK-75 Black Fiber Construction
- 4 Ply, 1.2 mm (0.0472") Diameter Twine
- 95% Open Mesh Area (See-Through Visibility)
- 58,445 psi Minimum Breaking Strength
- 30% Maximum Elongation at Break
- 1-3/4" (44 mm) Square Mesh Size, 0.009 lbs. per Square Foot
- 4 Strand, Braided, Continuous Monofilament Dyneema® Fiber
- Sewn Perimeter Black Multi-Filament Polypropylene Solid Braid Rope Bound Border - 1/4" Diameter, 530 lb. Minimum Breaking Strength
- Urethane Black Bonded Finish (Other Color Choices Available)
- Strong Resistance to Ultraviolet (UV) Light Degradation
- Excellent Resistance to Chemicals and Water Absorption

PROPRIETARY AND CONFIDENTIAL

THE INFORMATION CONTAINED IN THIS DRAWING IS THE SOLE PROPERTY OF SPORTSFIELD SPECIALTIES INC. ANY REPRODUCTION IN PART OR AS A WHOLE WITHOUT THE WRITTEN PERMISSION OF SPORTSFIELD SPECIALTIES INC. IS PROHIBITED.

**BSSNUC Ultra Cross Knotless Dyneema®
Netting - 1-3/4" Square Mesh**

Not To Scale

Sportsfield Specialties Inc 105571.1-221209



- Length, Height and Configuration as Required
- Ultra Cross Knotless Dyneema® Netting
- Dyneema® Ultra-High Molecular Weight Polyethylene (UHMWPE)
SK-75 Black Fiber Construction
- 4 Ply, 1.2 mm (0.0472") Diameter Twine
- 58,445 psi Minimum Breaking Strength
- 30% Maximum Elongation at Break
- 4" (102 mm) Square Mesh Size, 0.002 lbs. per Square Foot
- 4 Strand, Braided, Continuous Monofilament Dyneema® Fiber
- Sewn Perimeter Black Multi-Filament Polypropylene Solid Braid Rope
Bound Border - 1/4" Diameter, 530 lb. Minimum Breaking Strength
- Urethane Black Bonded Finish (Other Color Choices Available)
- Strong Resistance to Ultraviolet (UV) Light Degradation
- Excellent Resistance to Chemicals and Water Absorption

PROPRIETARY AND CONFIDENTIAL

THE INFORMATION CONTAINED IN THIS DRAWING IS THE SOLE PROPERTY OF SPORTSFIELD SPECIALTIES INC. ANY REPRODUCTION IN PART OR AS A WHOLE WITHOUT THE WRITTEN PERMISSION OF SPORTSFIELD SPECIALTIES INC. IS PROHIBITED.

BSSVUC4 Ultra Cross Knotless Dyneema® netting - 4" Square Mesh

Not To Scale

Sportsfield Specialties Inc 105594.1-221212