

SPORTSFIELD SPECIALTIES

www.sportsfield.com | 888-975-3343

*Excellence from
Design to Installation*



Tension Netting Systems



Sportsfield Specialties, Inc. 41155 State Hwy 10. Delhi, NY 13753



Tension Netting Systems

Product Overview

- Industry-leading provider of protective netting solutions
- Ideal for baseball / softball backstops and multi-use perimeter barrier netting
- Standard and custom systems offered with cable tie-back and pole-to-pole styles
- Pre-engineered steel poles finished with super durable black powder coat
- Choose premium Ultra Cross® knotless Dyneema® netting or #36 nylon netting
- Protective netting system designs suitable for all applications and levels of play
- Patented egress option provides a retractable entryway built into the system
- Cabling designed with galvanized aircraft cable or EverSteel™-X Dyneema® rope
- Available with stamped drawings and calculations by a licensed professional engineer

Item Number	Product Description
TNPPBUC	Standard pole-to-pole tension baseball backstop netting system with Ultra Cross® net - 40'H x 120'L
TNPPB36	Standard pole-to-pole tension baseball backstop netting system with #36 nylon net - 40'H x 120'L
TNPPSUC	Standard pole-to-pole tension softball backstop netting system with Ultra Cross® net - 30'H x 80'L
TNPPS36	Standard pole-to-pole tension softball backstop netting system with #36 nylon net - 30'H x 80'L
TNPPUC	Custom pole-to-pole tension netting system with Ultra Cross® net
TNPPUCG	Custom pole-to-pole tension netting system with Field Green Ultra Cross® net
TNPP36	Custom pole-to-pole tension netting system with #36 nylon net
PESTNPP	Stamped drawings and calculations by a licensed professional engineer for pole-to-pole netting systems
TNTBBUC	Standard tie-back tension baseball backstop netting system with Ultra Cross® net - 40'H x 120'L
TNTBB36	Standard tie-back tension baseball backstop netting system with #36 nylon net - 40'H x 120'L
TNTBSUC	Standard tie-back tension softball backstop netting system with Ultra Cross® net - 30'H x 80'L
TNTBS36	Standard tie-back tension softball backstop netting system with #36 nylon net - 30'H x 80'L
TNTBUC	Custom tie-back tension baseball /softball backstop netting system with Ultra Cross® net
TNTBUCG	Custom tie-back tension baseball /softball backstop netting system with Field Green Ultra Cross® net
TNTB36	Custom tie-back tension baseball /softball backstop netting system with #36 nylon net
PESTNTB	Stamped drawings and calculations by a licensed professional engineer for tie-back netting systems



Net Options

Item Number	Product Description
BSSNUC	Black Ultra Cross® knotless Dyneema® 1-3/4" sq. mesh net
BSSNUCG	Field Green Ultra Cross® knotless Dyneema® 1-3/4" sq. mesh net
BSSN36	Black #36 gauge twisted, knotted nylon 1-3/4" sq. mesh net

Tension Netting with Integrated Wall Pad Backstop



Product Overview

- Winner of American Sports Builders Association (ASBA) Game Changer Award!
- Seamlessly combines protective netting components and a wall pad backstop into a single system
- Allows design professionals the ability to create a clean look while streamlining installation
- Pre-manufactured construction saves 15-40% on cost over conventional construction methods
- Unsightly hardware is concealed for a clean and professional look on and off the field
- Available in a variety of colors with custom digitally printed graphics and lettering
- End-users love the ease of swapping out custom logo pads at multi-team venues
- Black stained and sealed 1/2" MDO composite backer board panels

Item Number	Product Description
TNPPUCWPB	Custom pole-to-pole tension backstop netting system with integrated wall pad and Ultra Cross® net
TNPP36WPB	Custom pole-to-pole tension backstop netting system with integrated wall pad and #36 nylon net
TNTBUCWPB	Custom tie-back tension backstop netting system with integrated wall pad and Ultra Cross® net
TNTB36WPB	Custom tie-back tension backstop netting system with integrated wall pad and #36 nylon net
PESTNPP	Stamped drawings and calculations by a licensed professional engineer for pole-to-pole netting systems

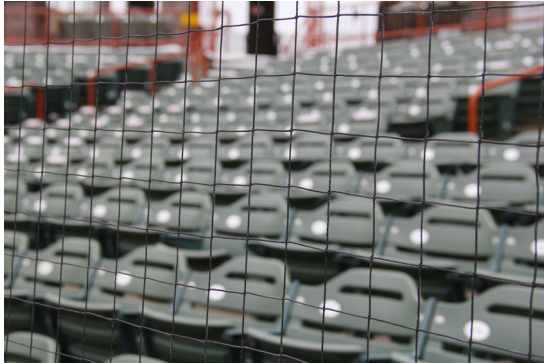


NEW! Golf Netting Systems

- Excellent barrier netting for golf applications
- Systems engineered up to 80' height
- Black super durable powder coated steel poles with ground sleeves
- Black 7/8" square mesh net with sewn perimeter binding



Item Number	Product Description
CALL FOR DETAILS	Standard and custom Golf Netting Systems



Ultra Cross® Knotless Netting

Product Overview

- Sportsfield is the exclusive provider of Ultra Cross® baseball netting
- Manufactured with UHMWPE Dyneema®, considered "The World's Strongest Fiber"
- Knotless, low-profile design gives spectators industry-leading 95% see-through visibility
- Specifically designed to deliver superior strength and performance over conventional netting
- Unique intersection eliminates 30-60% strength loss experienced by knotted synthetic fibers
- Four-strand braided twine is proven to be stronger than two-strand twisted alternatives
- Improved dimensional stability relative to knots that will tighten and distort over time
- Lightweight with 95% open-area results in less wind load and stress on the system
- Performance characteristics are backed by 3rd party testing and certification

Engineered Safety. Uncompromised Visibility

Ultra Cross® Baseball Impact Test

In March of 2021, Sportsfield Specialties contracted Innovative Test Solutions (ITS) of Schenectady, NY to conduct impact testing on our Ultra Cross® Knotless Netting. Our goal was to see just how many powerful hits our industry-leading product could handle!

To simulate a field installation, a scaled down netting system model was constructed to replicate a full-scale system. This cable suspended system consisted of four constraint cables, located at each edge of a 10'x10' 1.2 mm knotless Ultra Cross® Dyneema® netting panel. The net was then lashed to the cables with a combination of zip ties and braided rope. Once the system was in place, a series of standard baseballs was fired at the net from a dramatic 10' distance using a high-powered pitching machine with ball speeds averaging at 100mph. Here are the results:

Test Date	Distance (ft)	Ball Impacts	Avg Speed (mph)	Comments
3/15/2021	10	4795	100MPH	Net Failed after 4795 ball impacts. Ball passed through main target point breaking two netting strands. The cable were retightened, as needed, during testing.

Eng/Tech:

Jacob Fisher
Jacob Fisher

Data Check:

Lou Fiorini
Lou Fiorini

Quality Manager:

Sam Acevedo
Sam Acevedo

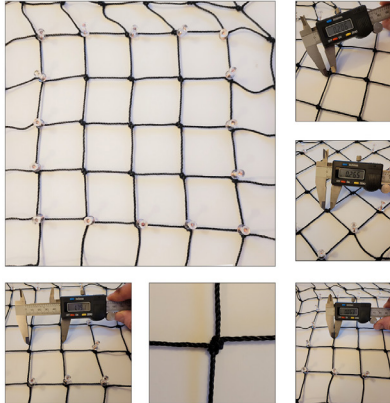


ULTRA CROSS® NETTING TOOK NEARLY
5000 HITS!

Ultra Cross® Visibility & Wind Load Study

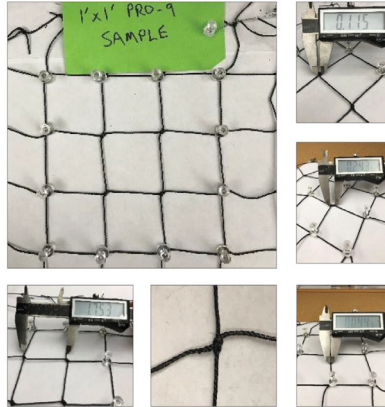
Ultra Cross® possesses the highest open-area percentage, providing industry-leading 95% see-through visibility and the lowest wind loads available in the market. **Our results are certified** -- Just take a look at the comparative analysis conducted by Delta Engineers, Architects, and Land Surveyors.

#12 Knotted Dyneema®



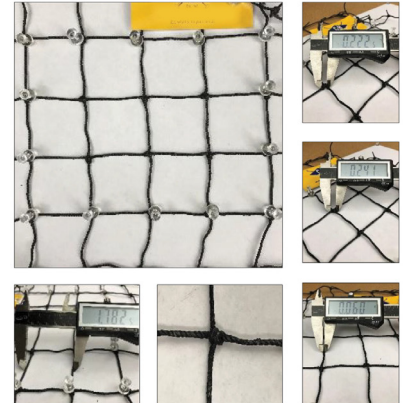
Joint Area (in ²)	$0.206 \times 0.265 = 0.546$
Overall Area (in ²)	$(1.791 - 0.063)^2 = 2.986$
Open Area	$[1.791 - (0.063 \times 2)]^2 - 0.546 = 2.718$

Pro-9 Knotted Dyneema®



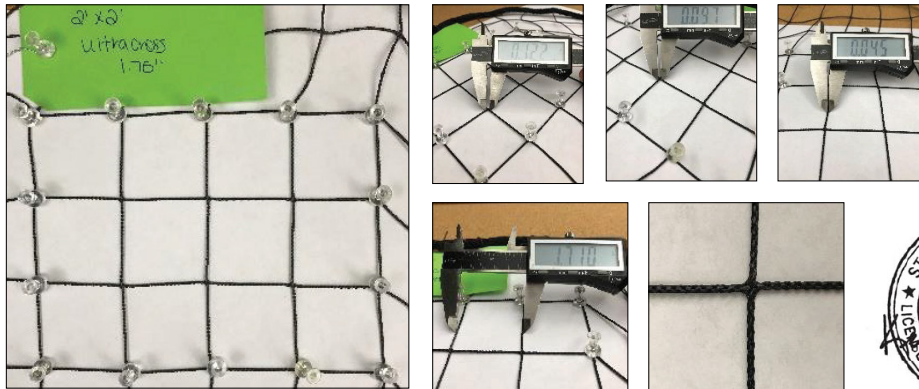
Joint Area (in ²)	$0.115 \times 0.243 = 0.0279$
Overall Area (in ²)	$(1.753 - 0.044)^2 = 2.921$
Open Area (in ²)	$[1.753 - (0.044 \times 2)]^2 - 0.02794 = 2.744$

#18 Knotted Dyneema®



Joint Area (in ²)	$0.222 \times 0.241 = 0.0535$
Overall Area (in ²)	$(1.782 - 0.060)^2 = 2.965$
Open Area (in ²)	$[1.782 - (0.060 \times 2)]^2 - 0.535 = 2.708$

Ultra Cross® Knotless Dyneema®



Joint Area (in ²)	$(0.122 \times 0.097) - 0.045^2 = 0.0098$
Overall Area (in ²)	$(*1.749 - 0.045)^2 = 2.903$
Open Area (in ²)	$[*1.749 - (0.045 \times 2)]^2 - 0.0098 = 2.742$

*1.749" = Avg across entire netting sample ↑

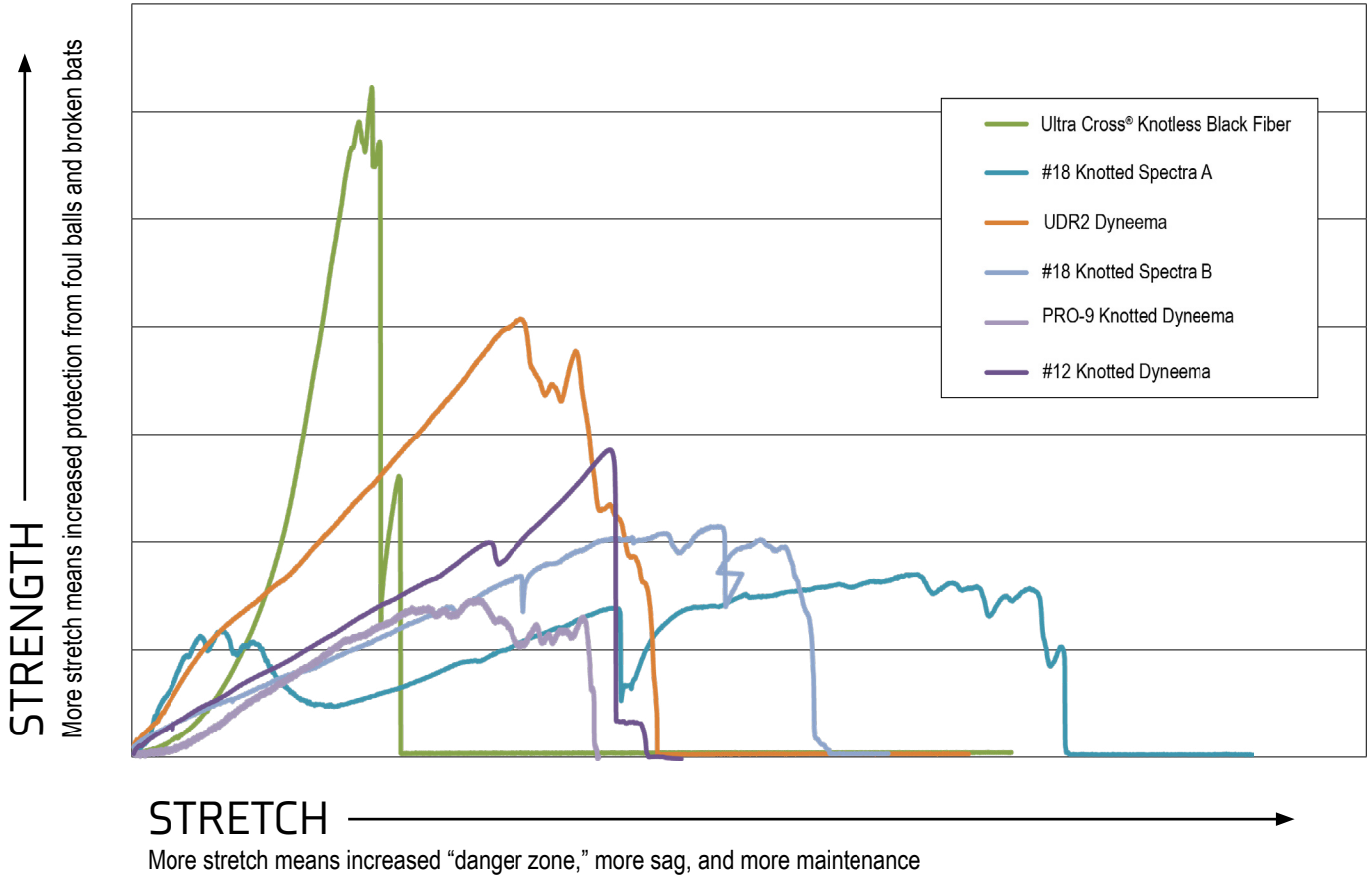


DELTA

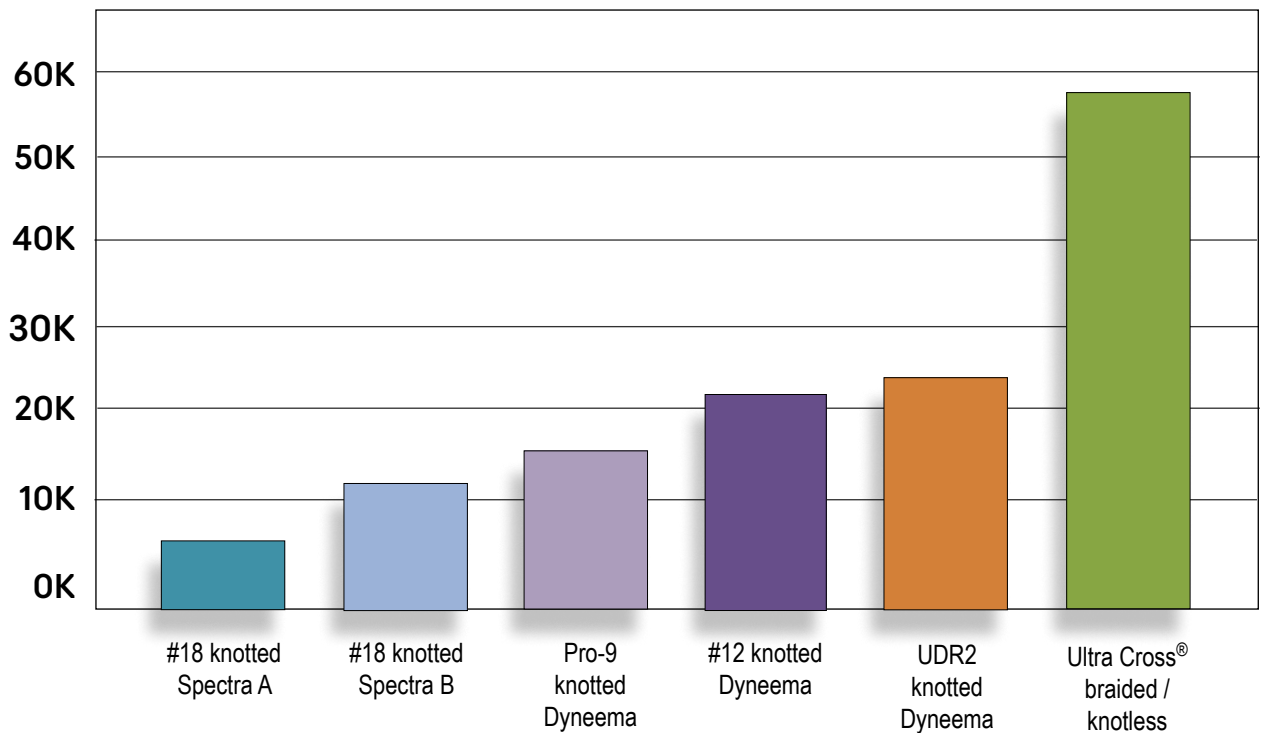
	Strand Thickness (In)	Joint Area (In ²)	Overall Area (In ²)	Open Area (In ²)	% Open Area
#18 Knotted	.060	0.05350	2.965	2.708	91.3%
Pro-9 Knotted	.044	0.02794	2.921	2.744	93.9%
#12 Knotted Dyneema	0.045	0.0546	2.986	2.718	91.0%
Ultra Cross® Knotless	.045	0.0098	2.900	2.739	94.5%

(all measured values, photographs do not show all values for calculations)

Ultra Cross® Tensile Load vs. Displacement Comparison



Effective Break Strength (PSI)





Our Ultra Cross® Clients Include

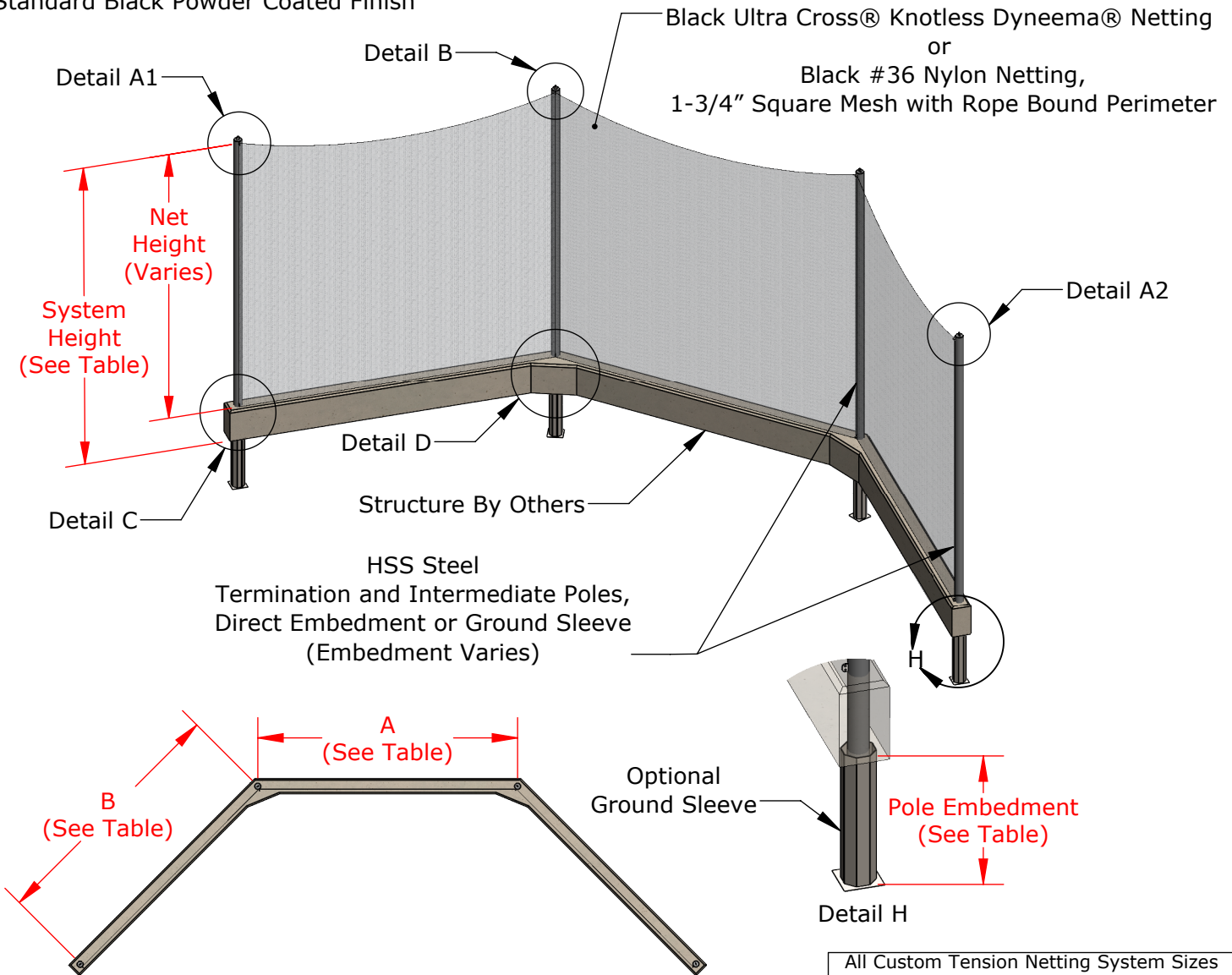


Atlanta Falcons
Baltimore Orioles
Boston Red Sox
Chicago White Sox
Cincinnati Reds
Colorado Rockies
Denver Broncos
Detroit Tigers
Houston Astros
Kentucky

Los Angeles Angels
Miami Marlins
Michigan
Milwaukee Brewers
Minnesota Twins
Minnesota Vikings
New York Yankees
Notre Dame
Oakland A's
Oklahoma State
Philadelphia Phillies

San Diego Padres
San Francisco Giants
Seattle Mariners
St. Louis Cardinals
Tampa Bay Rays
Toronto Blue Jays
UCONN
Virginia Tech
Wake Forest
Washington Nationals

Standard Black Powder Coated Finish



All Custom Tension Netting System Sizes and Layouts Require Design and Professional Engineering

Part No.	Model	Net Material	System Height	Pole Size	Pole Embedment	A	B
TNPPB36	Standard Baseball	#36 Nylon	40'-0"	HSS 10.750 x 0.250	5'-0"	40'-0"	40'-0"
TNPPBUC	Standard Baseball	Ultra Cross	40'-0"	HSS 8.625 x 0.250	5'-0"	40'-0"	40'-0"
TNPPS36	Standard Softball	#36 Nylon	30'-0"	HSS 6.625 x 0.280	4'-0"	20'-0"	30'-0"
TNPPSUC	Standard Softball	Ultra Cross	30'-0"	HSS 6.625 x 0.280	4'-0"	20'-0"	30'-0"
TNPP36	Custom System	#36 Nylon	Varies	Varies	Varies	Varies	Varies
TNPPUC	Custom System	Ultra Cross	Varies	Varies	Varies	Varies	Varies

SSI Tension Netting System Poles are Designed to Strength, Not Deflection. As a Result Some Deflection Will Occur During Installation and Should Be Considered Normal. Deflection May Also Be Evident in Calm Conditions, Particularly on the Outer Most Poles of a Given Tension Netting System.

**Foundation Requirements
Based on Local Codes and
Soil Conditions**

PROPRIETARY AND CONFIDENTIAL

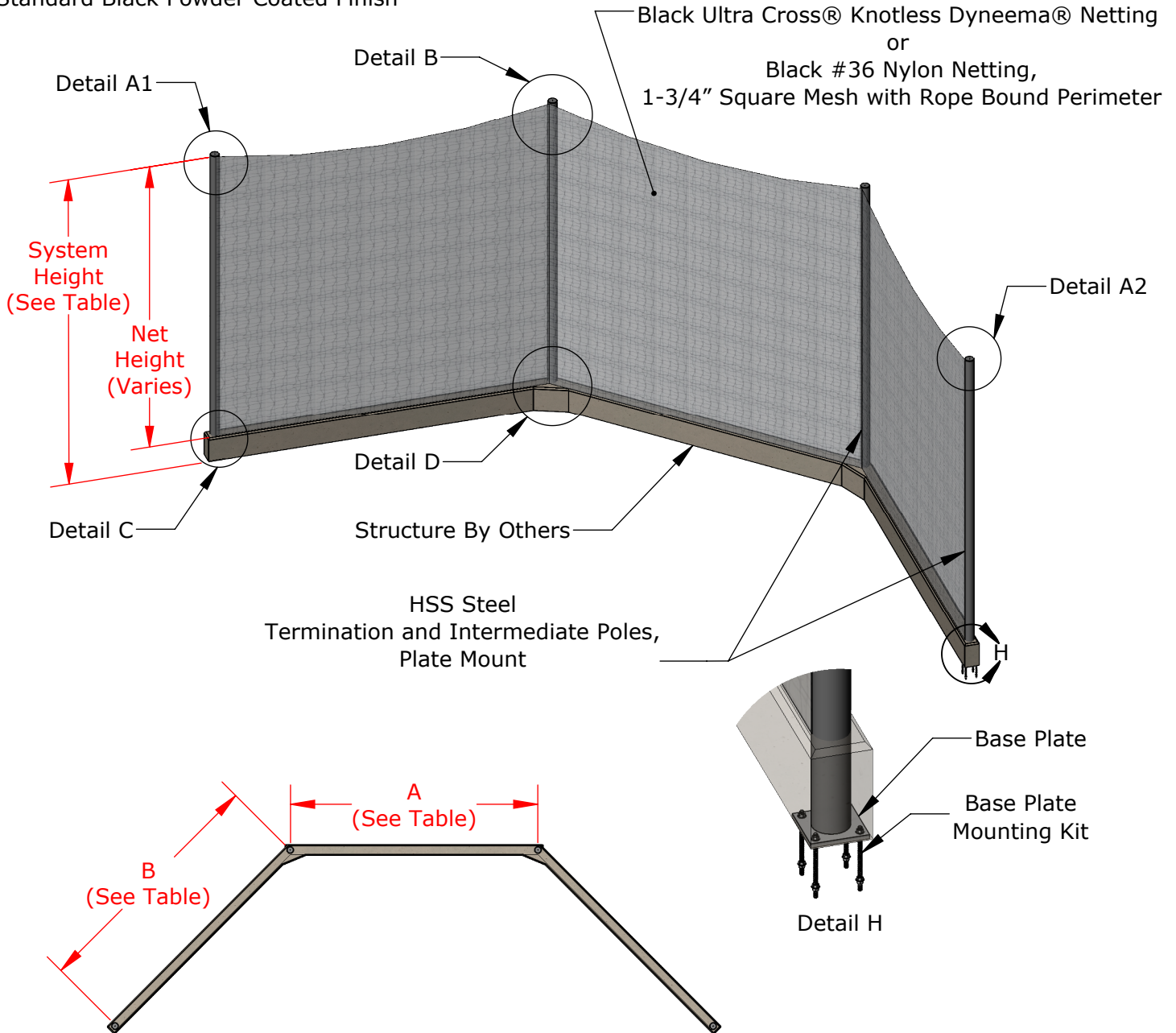
THE INFORMATION CONTAINED IN THIS DRAWING IS THE SOLE PROPERTY OF SPORTSFIELD SPECIALTIES INC. ANY REPRODUCTION IN PART OR AS A WHOLE WITHOUT THE WRITTEN PERMISSION OF SPORTSFIELD SPECIALTIES INC. IS PROHIBITED.

Pole to Pole Tension Backstop Netting System

Not To Scale

Sportsfield Specialties Inc 07072022

Standard Black Powder Coated Finish



Part No.	Net Material	System Height	Pole Size	A	B
TNPP36	#36 Nylon	Varies	Varies	Varies	Varies
TNPPUC	Ultra Cross	Varies	Varies	Varies	Varies

All Custom Tension Netting System Sizes and Layouts Require Design and Professional Engineering

SSI Tension Netting System Poles are Designed to Strength, Not Deflection. As a Result Some Deflection Will Occur During Installation and Should Be Considered Normal. Deflection May Also Be Evident in Calm Conditions, Particularly on the Outer Most Poles of a Given Tension Netting System.

Foundation Requirements Based on Local Codes and Soil Conditions

PROPRIETARY AND CONFIDENTIAL
THE INFORMATION CONTAINED IN THIS DRAWING IS THE SOLE PROPERTY OF SPORTSFIELD SPECIALTIES INC. ANY REPRODUCTION IN PART OR AS A WHOLE WITHOUT THE WRITTEN PERMISSION OF SPORTSFIELD SPECIALTIES INC. IS PROHIBITED.

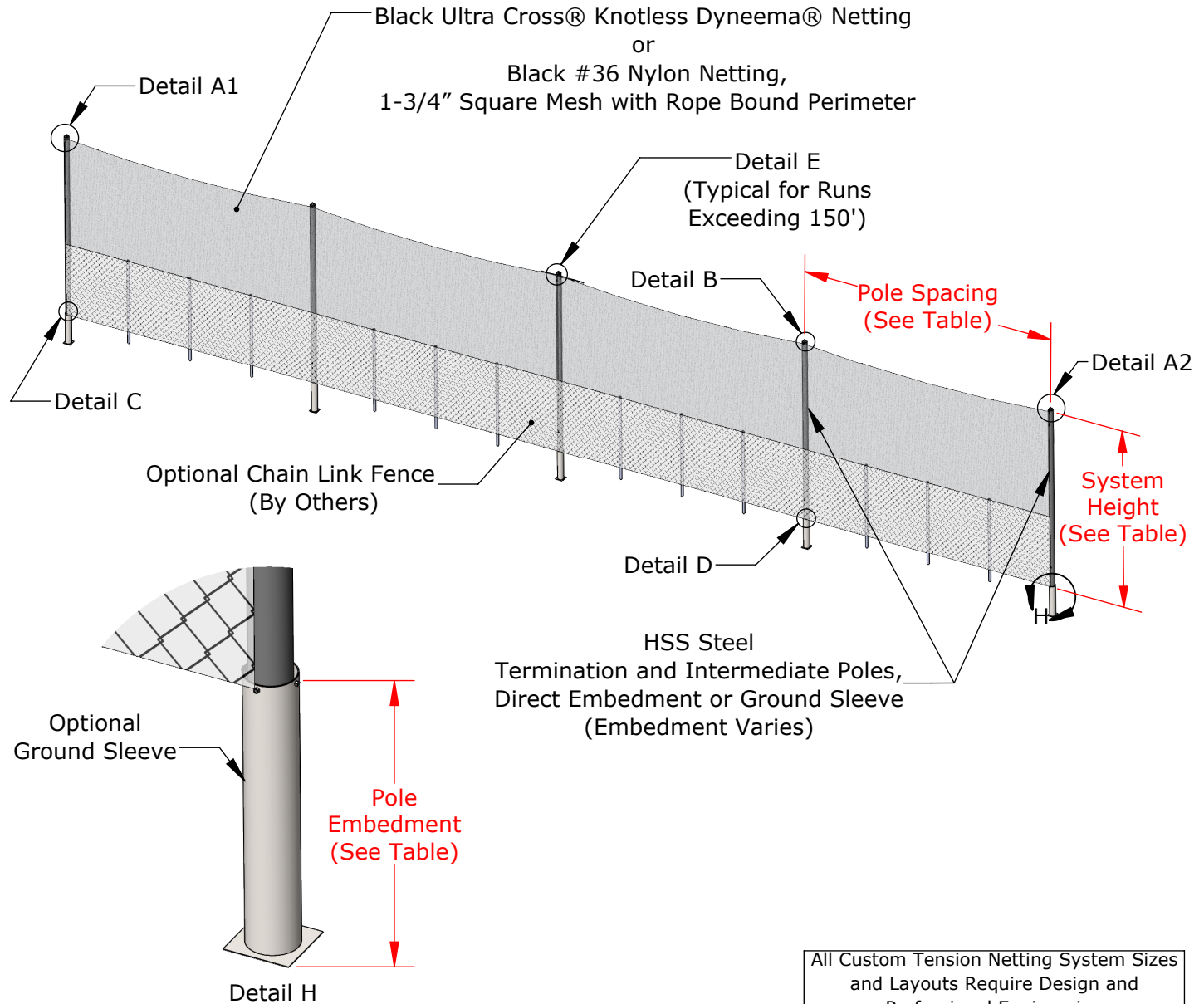
Pole to Pole Tension Backstop Netting System, Plate Mount

Not To Scale

Sportsfield Specialties Inc 07072022

Standard Black Powder Coated Finish

Plate Mount Versions Available Upon Request



SSI Tension Netting System Poles are Designed to Strength, Not Deflection. As a Result Some Deflection Will Occur During Installation and Should Be Considered Normal. Deflection May Also Be Evident in Calm Conditions, Particularly on the Outer Most Poles of a Given Tension Netting System.

Foundation Requirements
Based on Local Codes and
Soil Conditions

Part No.	Net Material	System Height	Pole Size	Pole Embedment	Pole Spacing
TNPP36	#36 Nylon	Varies	Varies	Varies	Varies
TNPPUC	Ultra Cross	Varies	Varies	Varies	Varies

PROPRIETARY AND CONFIDENTIAL

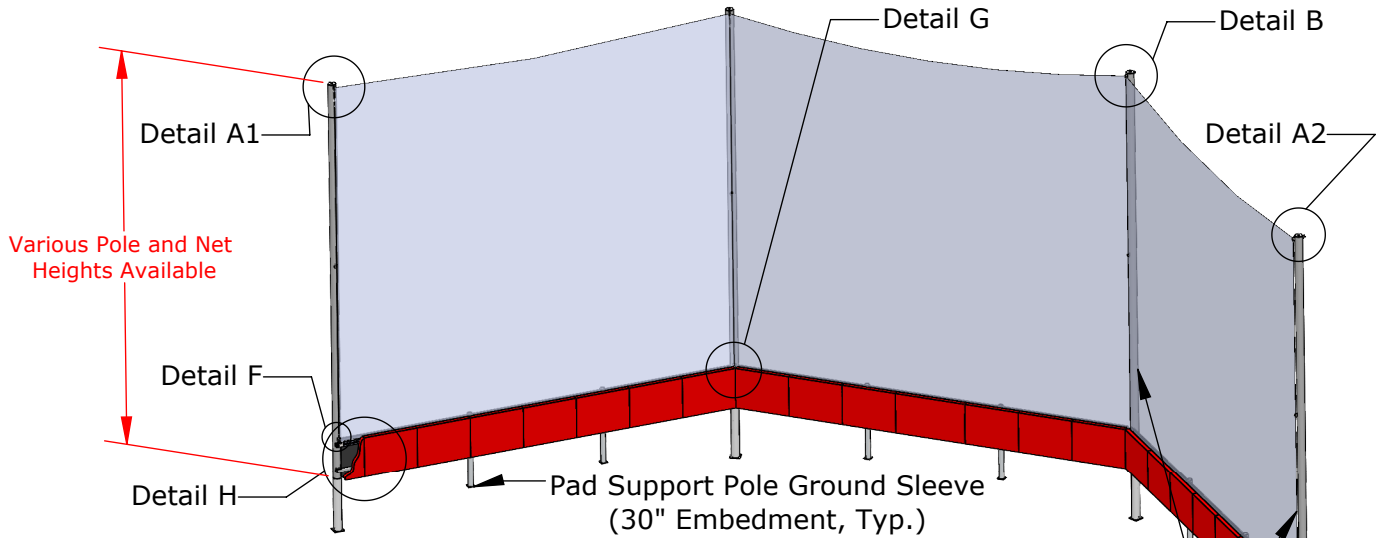
THE INFORMATION CONTAINED IN THIS DRAWING IS THE SOLE PROPERTY OF SPORTSFIELD SPECIALTIES INC. ANY REPRODUCTION IN PART OR AS A WHOLE WITHOUT THE WRITTEN PERMISSION OF SPORTSFIELD SPECIALTIES INC. IS PROHIBITED.

Pole to Pole Tension Netting System, Straight Line

Not To Scale

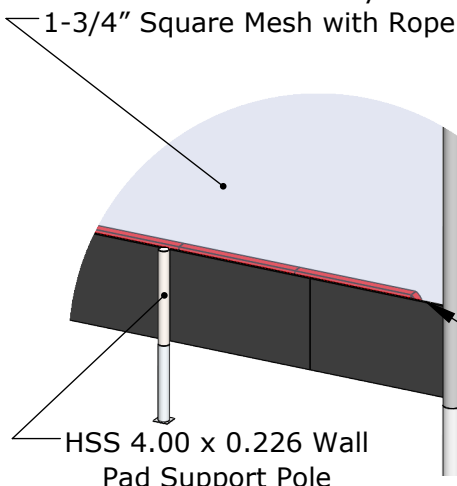
Sportsfield Specialties Inc 07072022

Standard Black Powder Coated Finish



Black Ultra Cross® Knotless Dyneema® Netting
or
Black #36 Nylon Netting,
1-3/4" Square Mesh with Rope Bound Perimeter

HSS Steel
Termination and Intermediate Poles,
Direct Embedment or Ground Sleeve
(Embedment Varies)

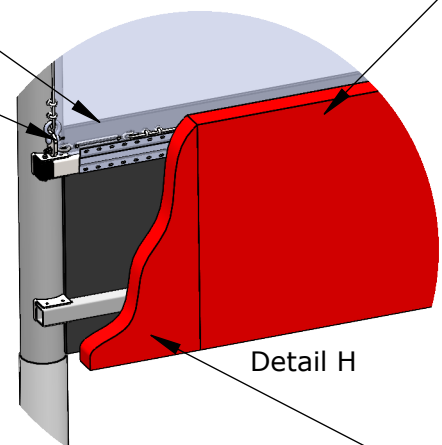


REAR VIEW

Z-Clip Wall Pad Mounting
Bracket
2.50" SQ, x 11 Ga. Wall
Steel Support Structure

1/2" Square Edge MDO
Weather Resistant Composite
Sheathing Panel, All Sides
Stained And Sealed With
Exterior Grade Black Finish,
Attached with #10-24 X 1-7/16"
Flat Head Self-Drilling Screws

Optional Custom
Digitally Printed Lettering
And/Or Graphics Available



BaseZone® Wall Pad,
18 oz. Outdoor Vinyl, High UV Resistance,
Various Standard Colors Available

Part #	Net Material	Standard Wall Pad Heights
TNPP36WPB	#36 Nylon	30", 36", 42", 48"
TNPPUCWPB	Ultra Cross	

SSI tension netting system poles are designed to strength, not deflection. As a result some deflection will occur during installation and should be considered normal. Deflection may also be evident in calm conditions, particularly on the outer most poles of a given tension netting system.

**Foundation Requirements
Based on Local Codes and
Soil Conditions**

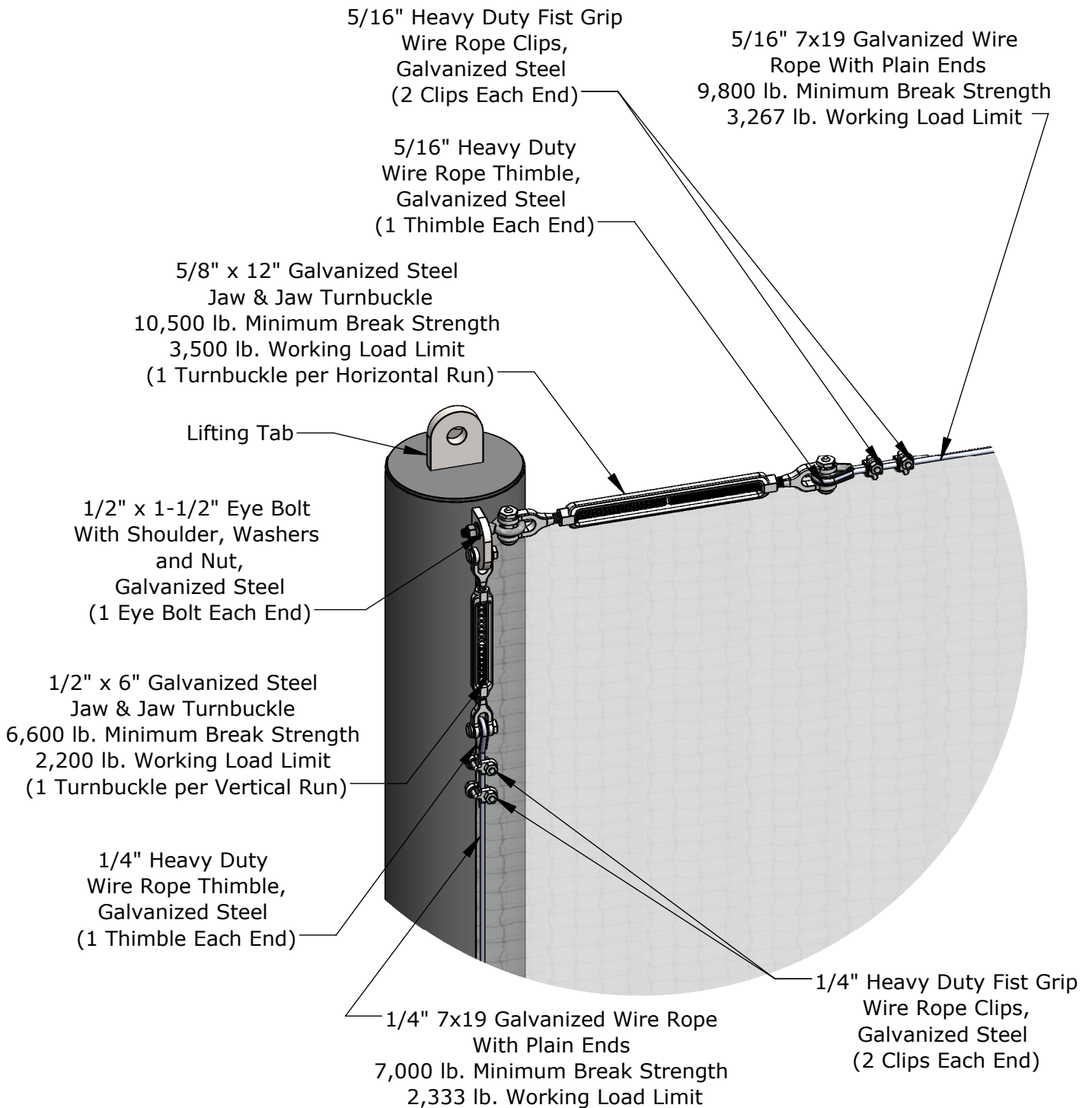
PROPRIETARY AND CONFIDENTIAL

THE INFORMATION CONTAINED IN THIS DRAWING IS THE SOLE PROPERTY OF SPORTSFIELD SPECIALTIES INC. ANY REPRODUCTION IN PART OR AS A WHOLE WITHOUT THE WRITTEN PERMISSION OF SPORTSFIELD SPECIALTIES INC. IS PROHIBITED.

**Pole to Pole Tension Backstop Netting System
With Integrated Wall Pad**

Not To Scale

Sportsfield Specialties Inc 07072022



***Applicable to Both Backstop Systems and Integrated Wall Pad Backstop Systems**

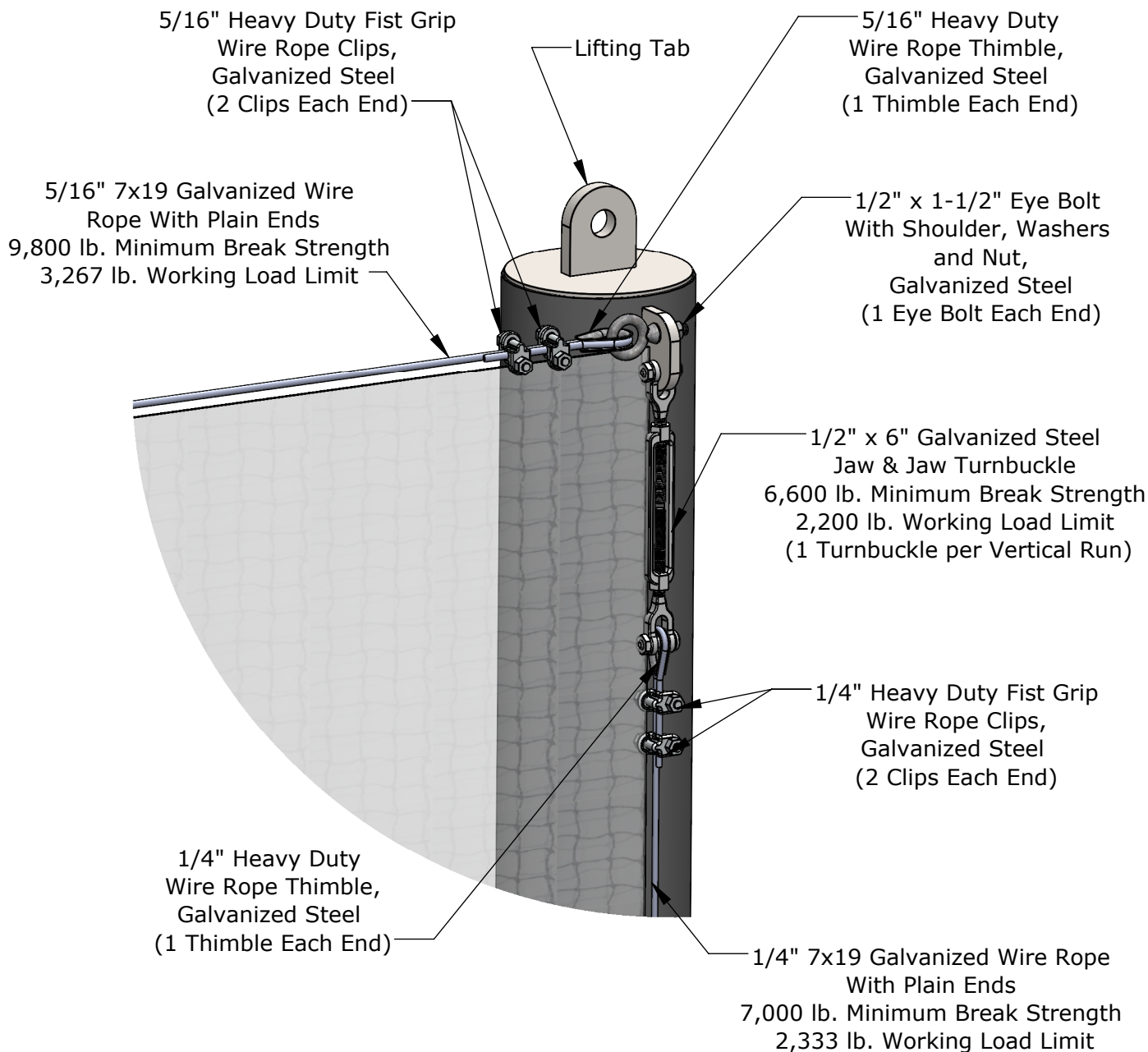
PROPRIETARY AND CONFIDENTIAL

THE INFORMATION CONTAINED IN THIS DRAWING IS THE SOLE PROPERTY OF SPORTSFIELD SPECIALTIES INC. ANY REPRODUCTION IN PART OR AS A WHOLE WITHOUT THE WRITTEN PERMISSION OF SPORTSFIELD SPECIALTIES INC. IS PROHIBITED.

Pole to Pole Tension Netting System Detail A1: Top Termination Pole Connections

Not To Scale

Sportsfield Specialties Inc 07072022



***Applicable to Both Backstop Systems and Integrated Wall Pad Backstop Systems**

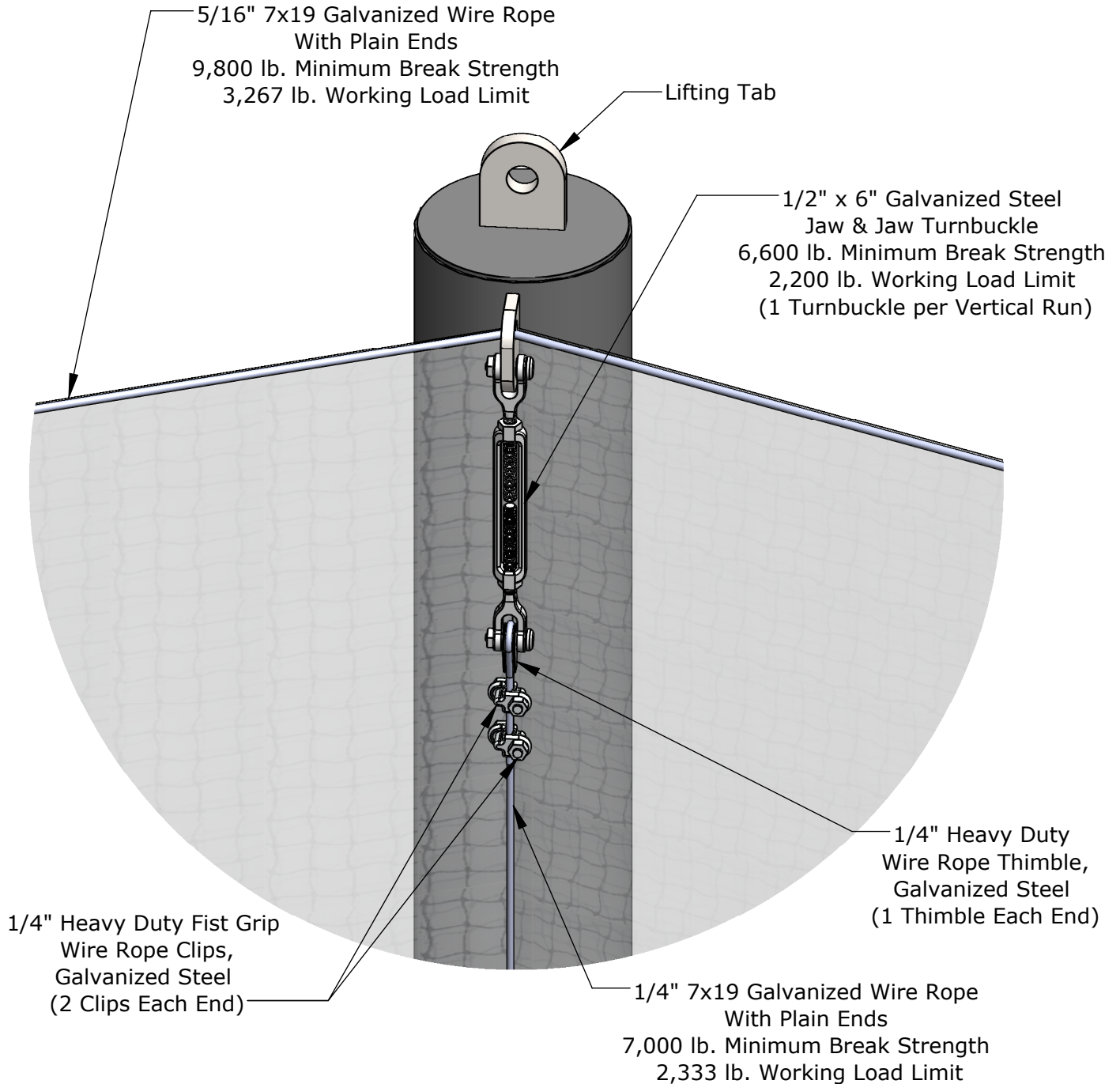
PROPRIETARY AND CONFIDENTIAL

THE INFORMATION CONTAINED IN THIS DRAWING IS THE SOLE PROPERTY OF SPORTSFIELD SPECIALTIES INC. ANY REPRODUCTION IN PART OR AS A WHOLE WITHOUT THE WRITTEN PERMISSION OF SPORTSFIELD SPECIALTIES INC. IS PROHIBITED.

Pole to Pole Tension Netting System Detail A2: Top Termination Pole Connections

Not To Scale

Sportsfield Specialties Inc 07072022



***Applicable to Both Backstop Systems and Integrated Wall Pad Backstop Systems**

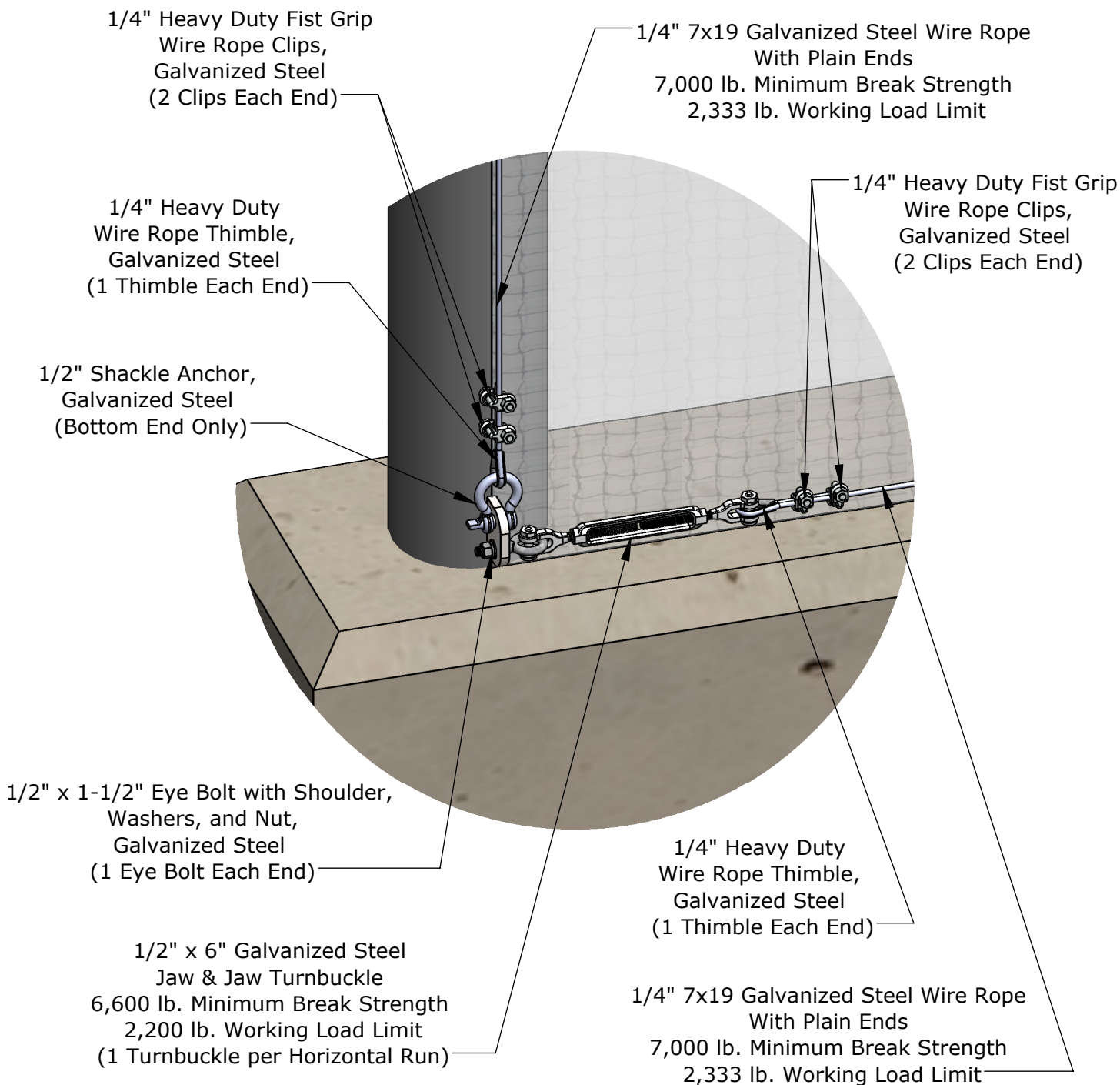
PROPRIETARY AND CONFIDENTIAL

THE INFORMATION CONTAINED IN THIS DRAWING IS THE SOLE PROPERTY OF SPORTSFIELD SPECIALTIES INC. ANY REPRODUCTION IN PART OR AS A WHOLE WITHOUT THE WRITTEN PERMISSION OF SPORTSFIELD SPECIALTIES INC. IS PROHIBITED.

Pole to Pole Tension Netting System Detail B: Top Intermediate Pole Connections

Not To Scale

Sportsfield Specialties Inc 07072022



***Applicable to Backstop Systems Only**

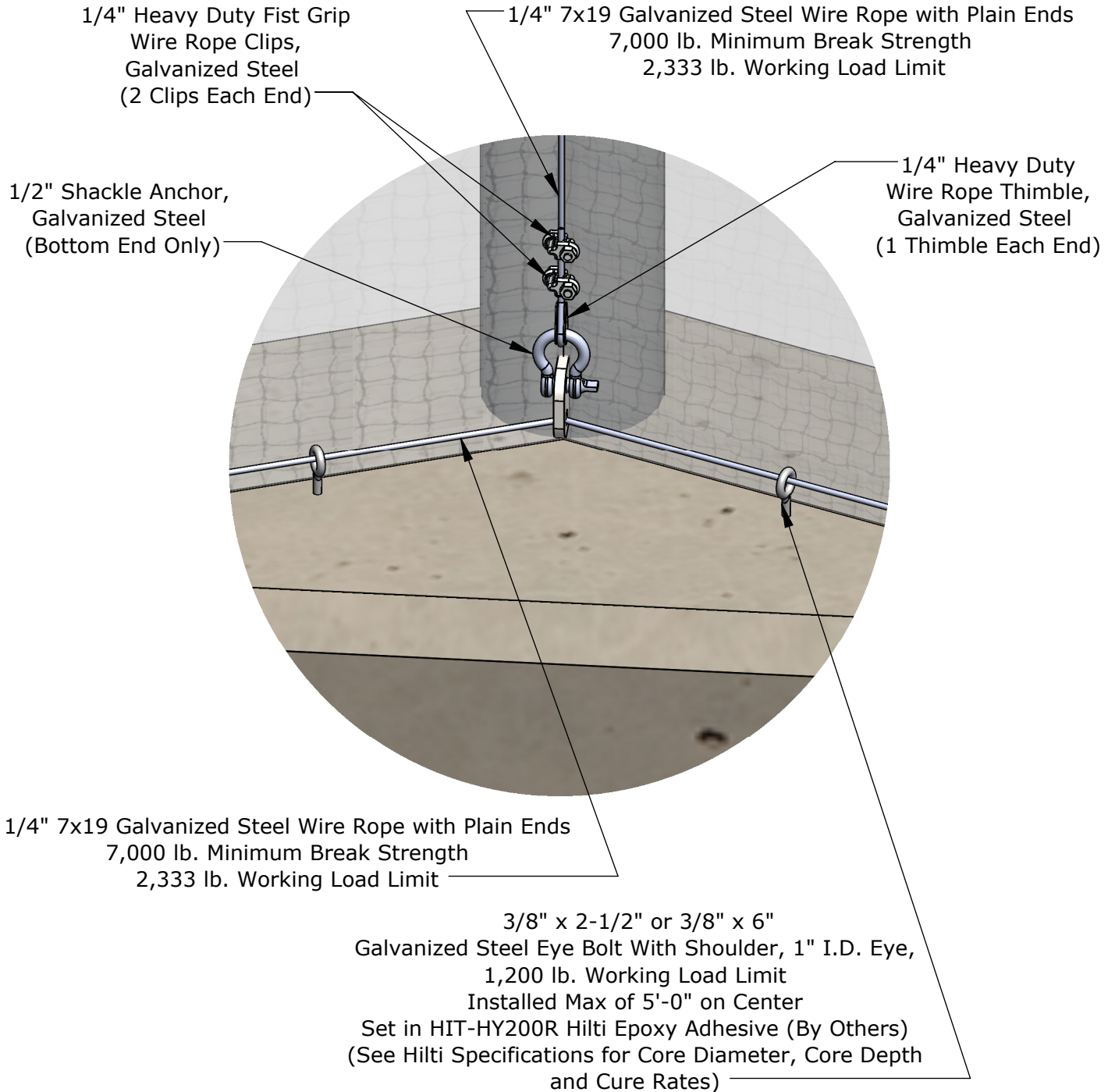
PROPRIETARY AND CONFIDENTIAL

THE INFORMATION CONTAINED IN THIS DRAWING IS THE SOLE PROPERTY OF SPORTSFIELD SPECIALTIES INC. ANY REPRODUCTION IN PART OR AS A WHOLE WITHOUT THE WRITTEN PERMISSION OF SPORTSFIELD SPECIALTIES INC. IS PROHIBITED.

**Pole to Pole Tension Netting System
Detail C: Bottom Termination Pole Connections**

Not To Scale

Sportsfield Specialties Inc 07072022



***Applicable to Backstop Systems Only**

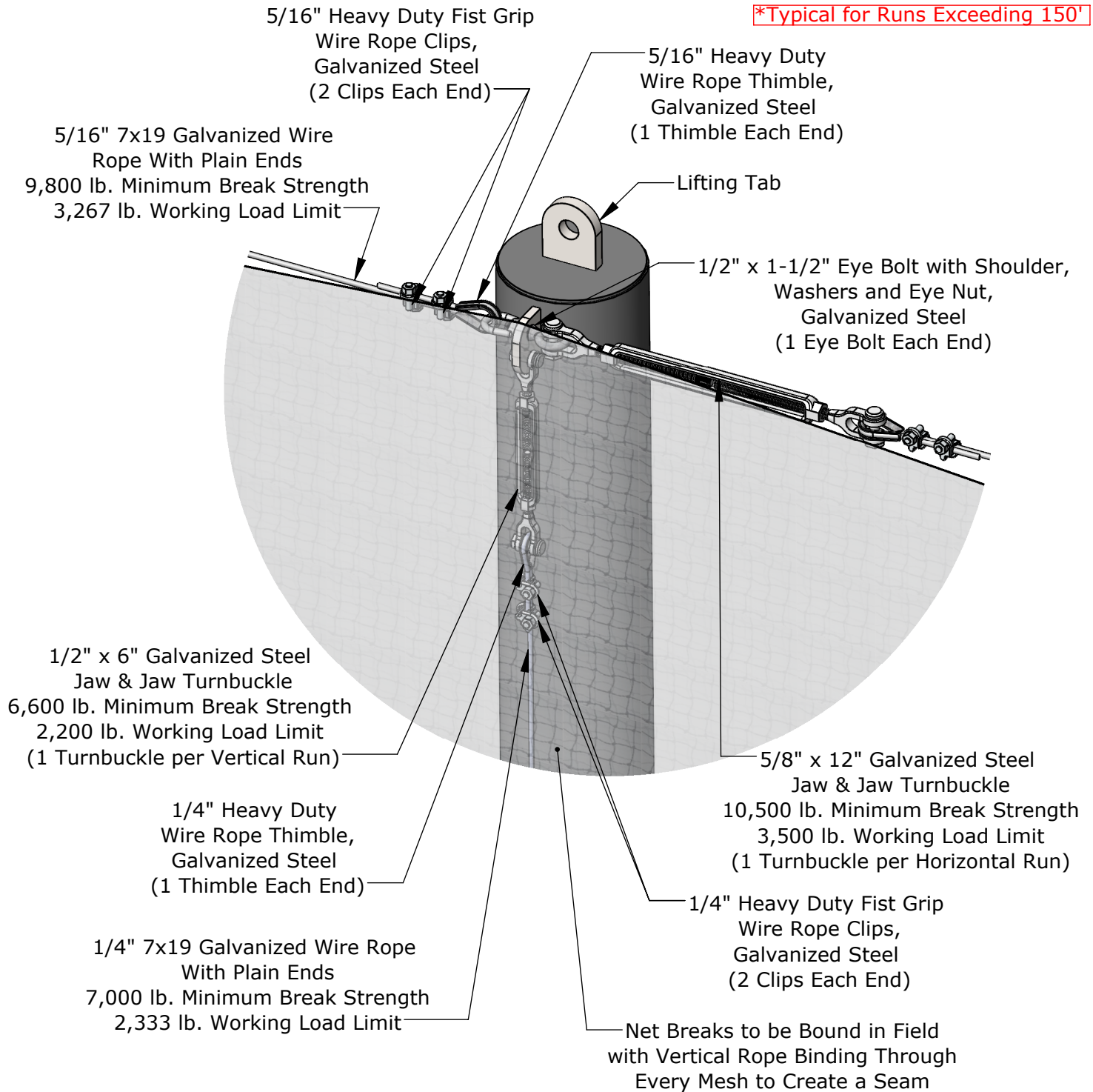
PROPRIETARY AND CONFIDENTIAL

THE INFORMATION CONTAINED IN THIS DRAWING IS THE SOLE PROPERTY OF SPORTSFIELD SPECIALTIES INC. ANY REPRODUCTION IN PART OR AS A WHOLE WITHOUT THE WRITTEN PERMISSION OF SPORTSFIELD SPECIALTIES INC. IS PROHIBITED.

Pole to Pole Tension Netting System Detail D: Bottom Intermediate Pole Connections

Not To Scale

Sportsfield Specialties Inc 11232021



***Applicable to Both Backstop Systems and Integrated Wall Pad Backstop Systems**

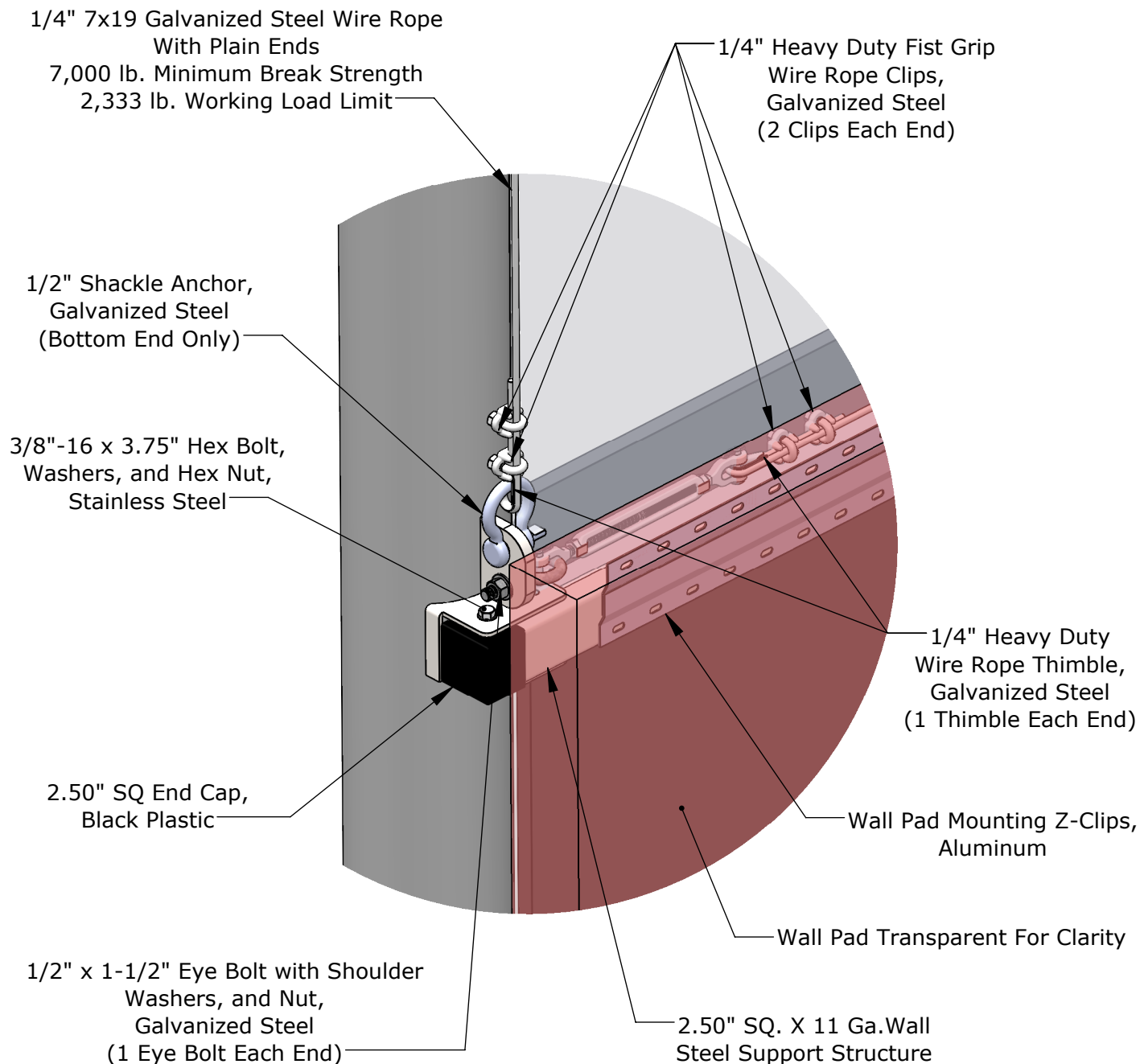
PROPRIETARY AND CONFIDENTIAL

THE INFORMATION CONTAINED IN THIS DRAWING IS THE SOLE PROPERTY OF SPORTSFIELD SPECIALTIES INC. ANY REPRODUCTION IN PART OR AS A WHOLE WITHOUT THE WRITTEN PERMISSION OF SPORTSFIELD SPECIALTIES INC. IS PROHIBITED.

Pole to Pole Tension Netting System Detail E: Top Intermediate Pole Connections*

Not To Scale

Sportsfield Specialties Inc 07072022



***Applicable to Integrated Wall Pad Backstop Systems Only**

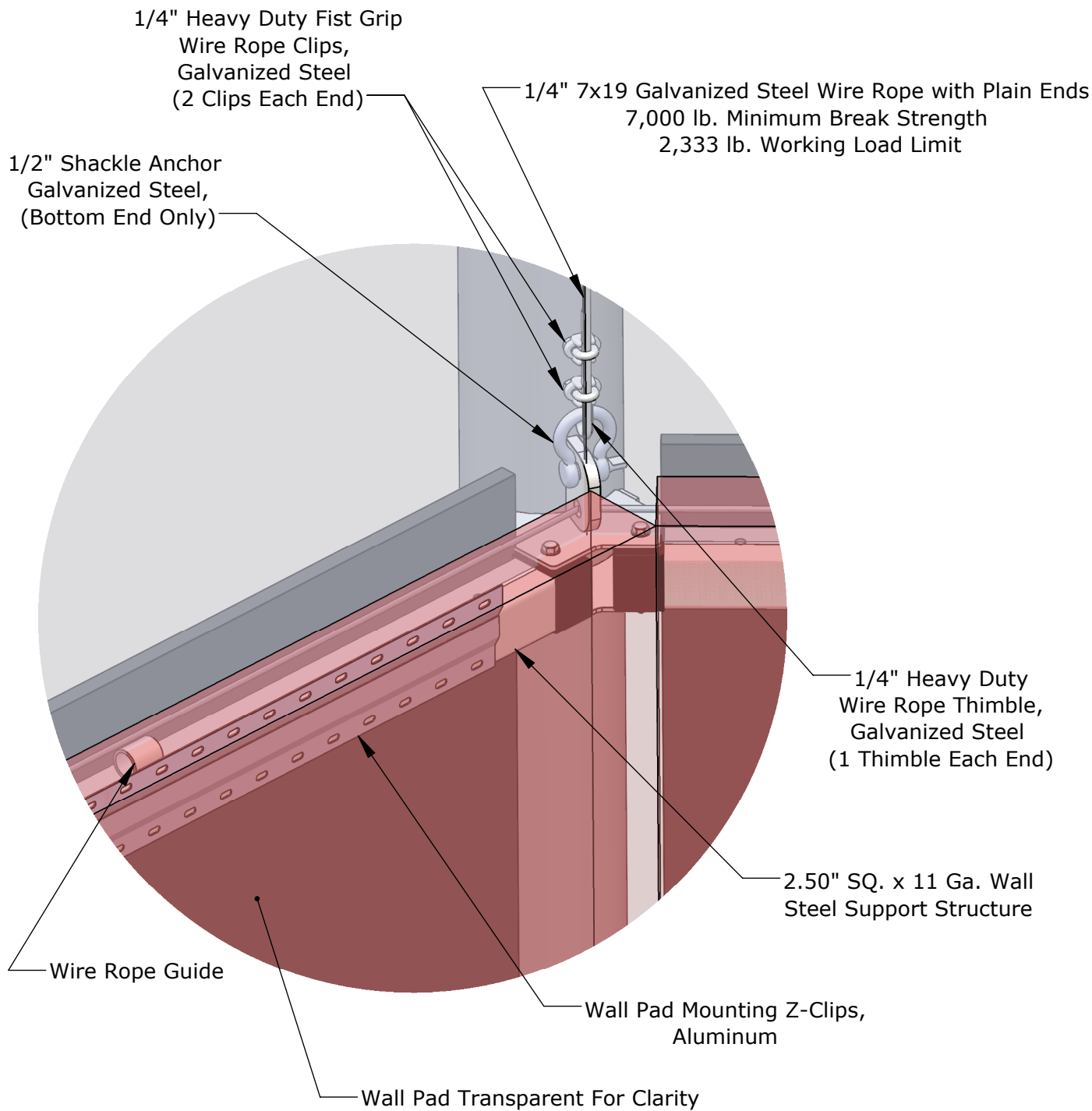
PROPRIETARY AND CONFIDENTIAL

THE INFORMATION CONTAINED IN THIS DRAWING IS THE SOLE PROPERTY OF SPORTSFIELD SPECIALTIES INC. ANY REPRODUCTION IN PART OR AS A WHOLE WITHOUT THE WRITTEN PERMISSION OF SPORTSFIELD SPECIALTIES INC. IS PROHIBITED.

**Pole to Pole Tension Netting System
Detail F: Bottom Termination Pole Connections**

Not To Scale

Sportsfield Specialties Inc 07072022



***Applicable to Integrated Wall Pad Backstop Systems Only**

PROPRIETARY AND CONFIDENTIAL

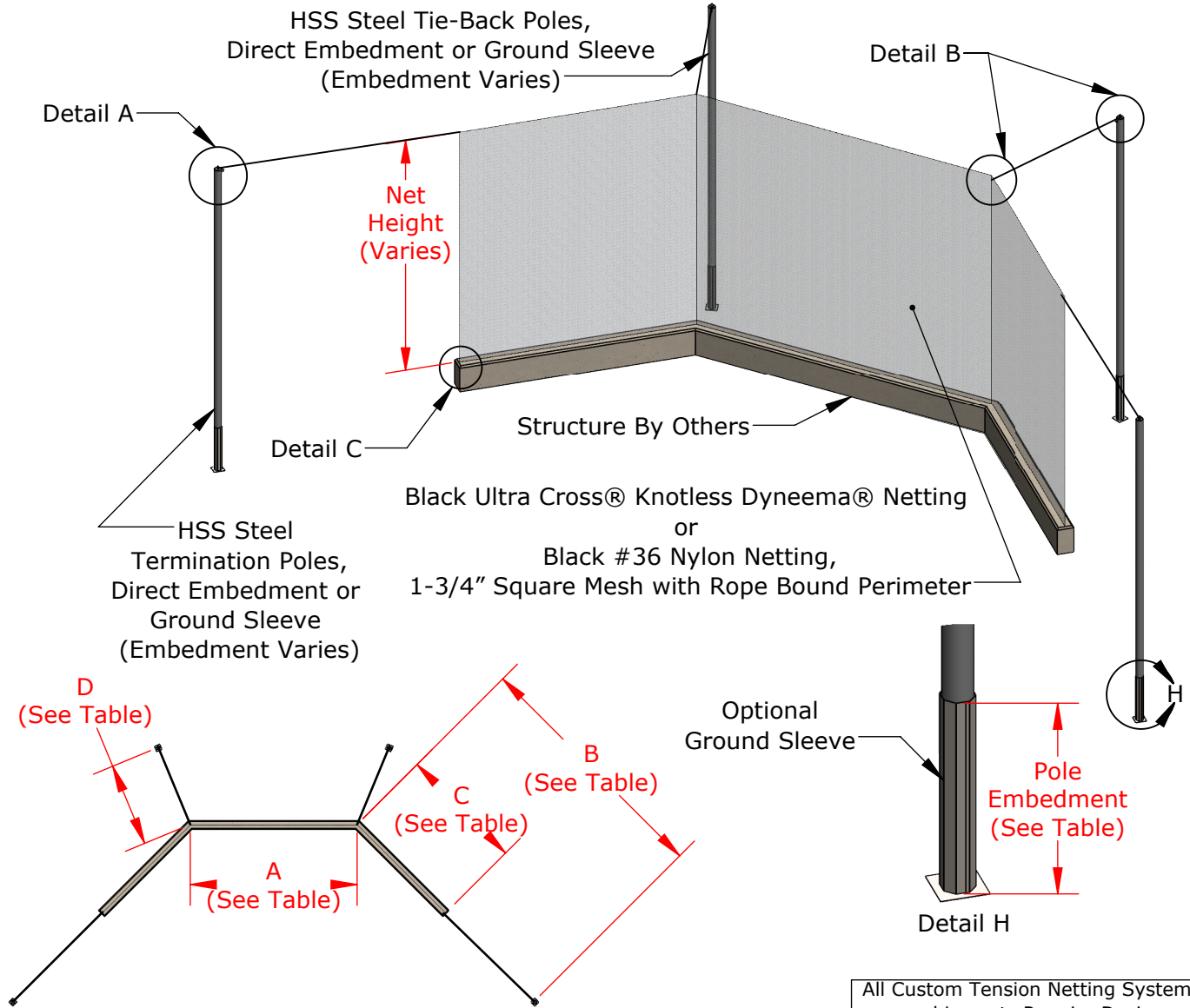
THE INFORMATION CONTAINED IN THIS DRAWING IS THE SOLE PROPERTY OF SPORTSFIELD SPECIALTIES INC. ANY REPRODUCTION IN PART OR AS A WHOLE WITHOUT THE WRITTEN PERMISSION OF SPORTSFIELD SPECIALTIES INC. IS PROHIBITED.

Pole to Pole Tension Netting System Detail G: Bottom Intermediate Pole Connections

Not To Scale

Sportsfield Specialties Inc 10232021

Standard Black Powder Coated Finish



All Custom Tension Netting System Sizes and Layouts Require Design and Professional Engineering

SSI Tension Netting System Poles are Designed to Strength, Not Deflection. As a Result Some Deflection Will Occur During Installation and Should Be Considered Normal. Deflection May Also Be Evident in Calm Conditions, Particularly on the Outer Most Poles of a Given Tension Netting System

Foundation Requirements Based on Local Codes and Soil Conditions

Part No.	Model	Net Material	System Height	Pole Size	Pole Embedment	A	B	C	D
TNTBB36	Standard Baseball	#36 Nylon	40'-0"	HSS 12.750 x 0.375	5'-0"	40'-0"	80'-0"	40'-0"	30'-0"
TNTBBUC	Standard Baseball	Ultra Cross	40'-0"	HSS 10.750 x 0.250	5'-0"	40'-0"	80'-0"	40'-0"	30'-0"
TNTBS36	Standard Softball	#36 Nylon	30'-0"	HSS 8.625 x 0.322	4'-0"	20'-0"	70'-0"	30'-0"	30'-0"
TNTBSUC	Standard Softball	Ultra Cross	30'-0"	HSS 8.625 x 0.250	4'-0"	20'-0"	70'-0"	30'-0"	30'-0"
TNTB36	Custom System	#36 Nylon	Varies	Varies	Varies	Varies	Varies	Varies	Varies
TNTBUC	Custom System	Ultra Cross	Varies	Varies	Varies	Varies	Varies	Varies	Varies

PROPRIETARY AND CONFIDENTIAL

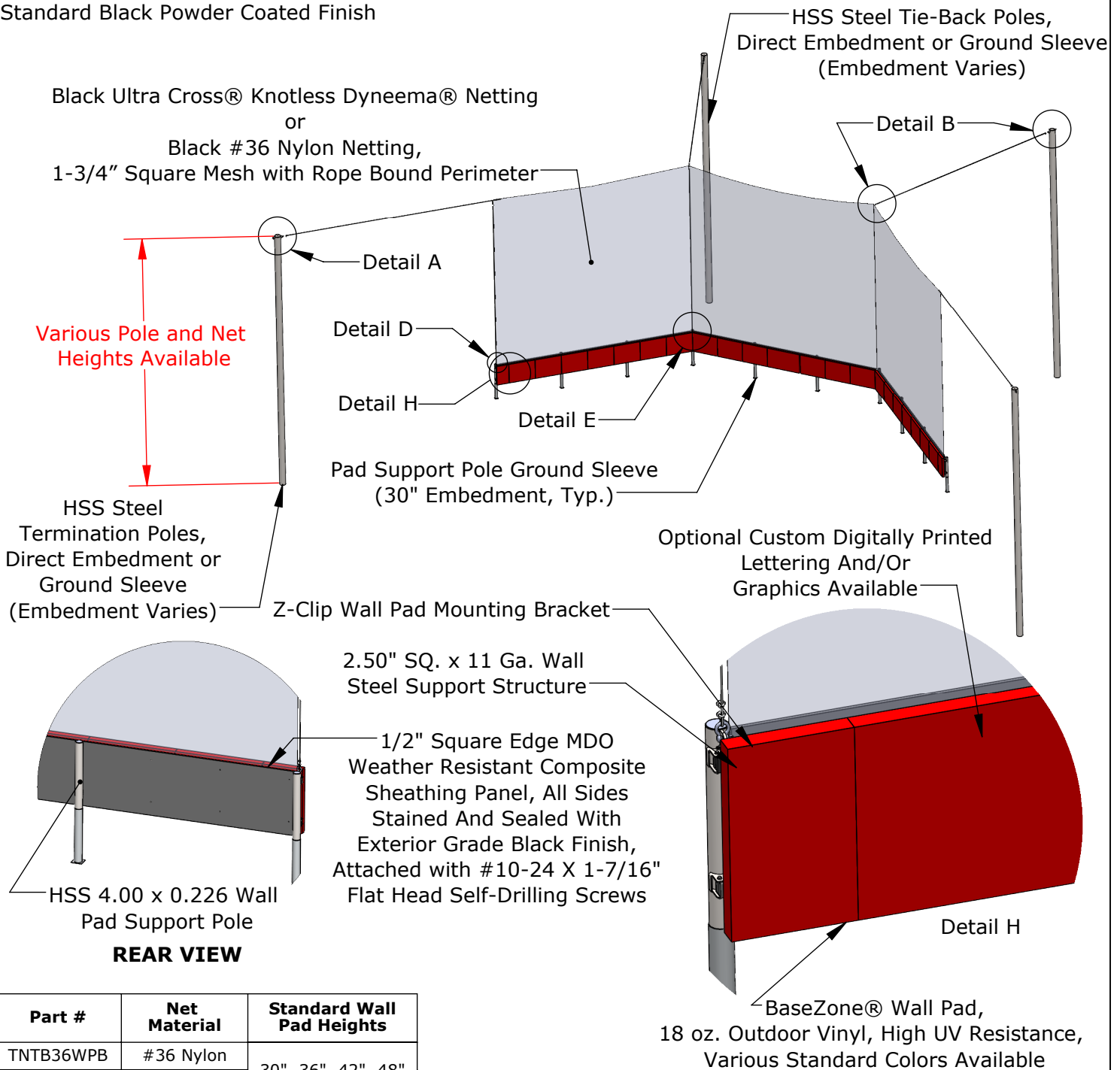
THE INFORMATION CONTAINED IN THIS DRAWING IS THE SOLE PROPERTY OF SPORTSFIELD SPECIALTIES INC. ANY REPRODUCTION IN PART OR AS A WHOLE WITHOUT THE WRITTEN PERMISSION OF SPORTSFIELD SPECIALTIES INC. IS PROHIBITED.

Tie-Back Tension Backstop Netting System

Not To Scale

Sportsfield Specialties Inc 07072022

Standard Black Powder Coated Finish



Part #	Net Material	Standard Wall Pad Heights
TNTB36WPB	#36 Nylon	30", 36", 42", 48"
TNTBUCWPB	Ultra Cross	

SSI tension netting system poles are designed to strength, not deflection. As a result some deflection will occur during installation and should be considered normal. Deflection may also be evident in calm conditions, particularly on the outer most poles of a given tension netting system.

**Foundation Requirements
Based on Local Codes and
Soil Conditions**

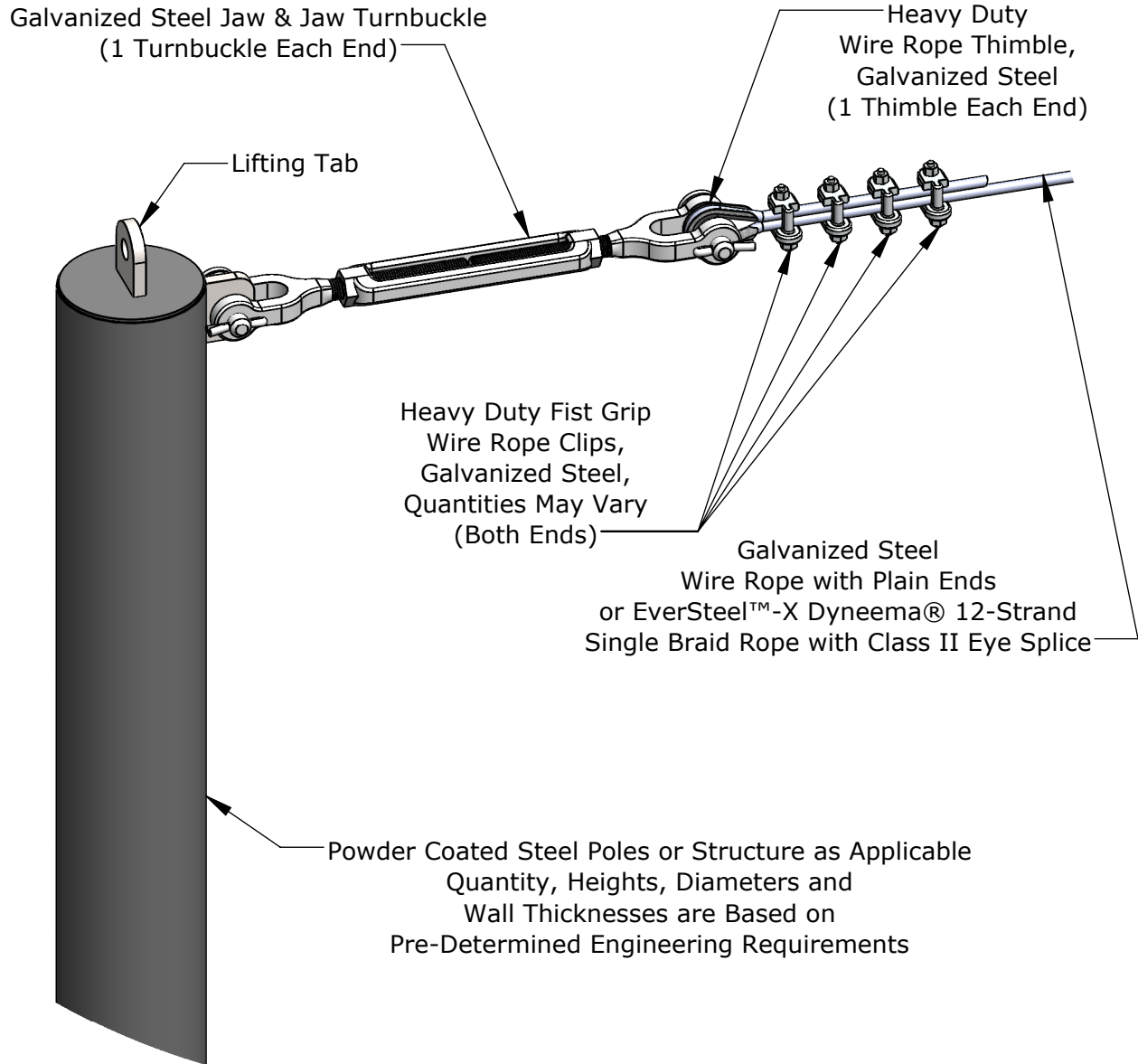
PROPRIETARY AND CONFIDENTIAL

THE INFORMATION CONTAINED IN THIS DRAWING IS THE SOLE PROPERTY OF SPORTSFIELD SPECIALTIES INC. ANY REPRODUCTION IN PART OR AS A WHOLE WITHOUT THE WRITTEN PERMISSION OF SPORTSFIELD SPECIALTIES INC. IS PROHIBITED.

Tie-Back Tension Backstop Netting System With Integrated Wall Pad

Not To Scale

Sportsfield Specialties Inc 07072022



***Applicable to Both Backstop Systems and Integrated Wall Pad Backstop Systems**

Cable and Associated Hardware Sizes are Shown for Reference Only. Actual Size and Configuration May Vary By Project per Local Code Requirements. See Project Specific Stamped Drawings.

SSI Tension Netting System Poles are Designed to Strength, Not Deflection. As a Result Some Deflection Will Occur During Installation and Should Be Considered Normal. Deflection May Also Be Evident in Calm Conditions, Particularly on the Outer Most Poles of a Given Tension Netting System.

Foundation Requirements Based on Local Codes and Soil Conditions

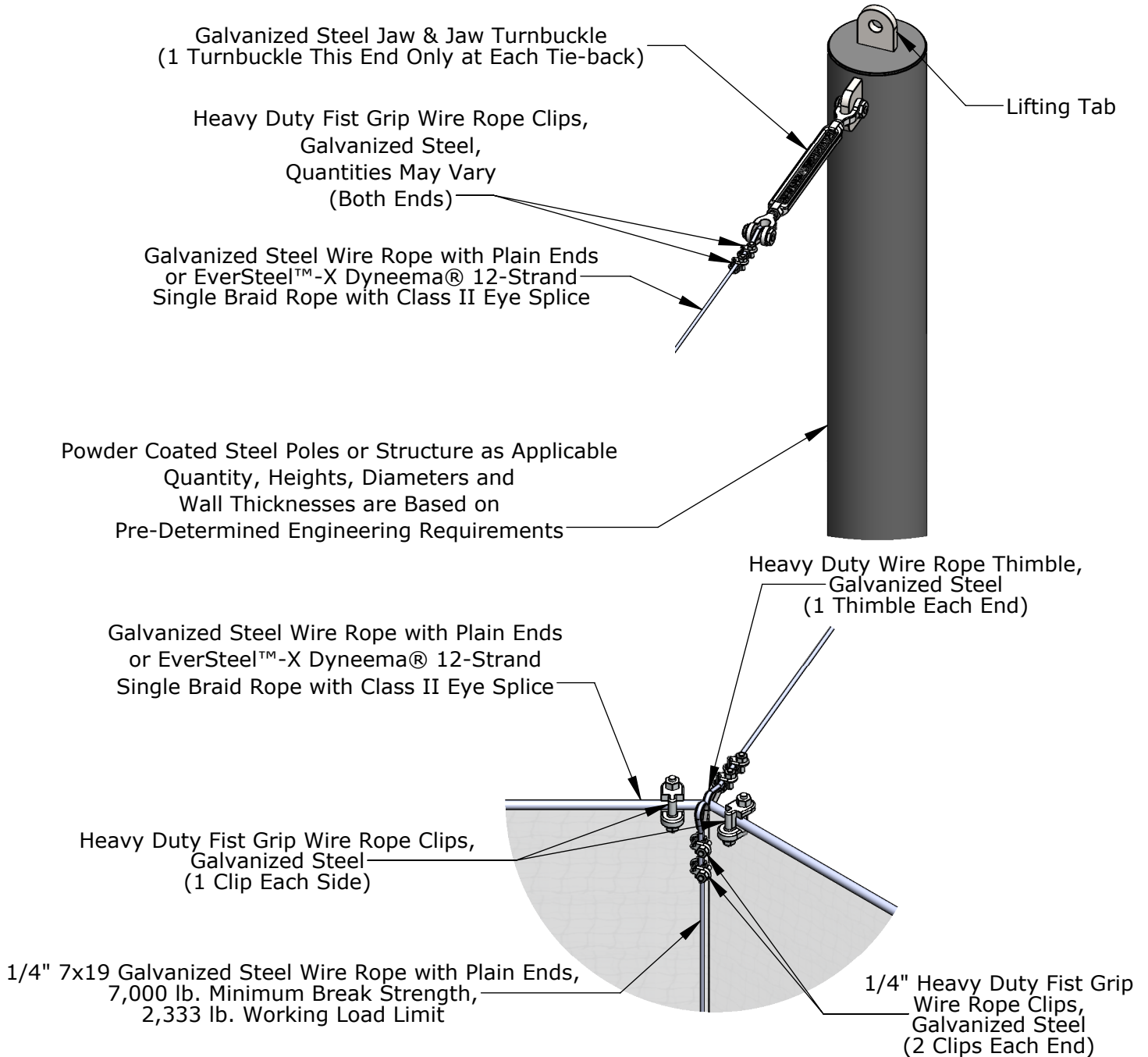
PROPRIETARY AND CONFIDENTIAL

THE INFORMATION CONTAINED IN THIS DRAWING IS THE SOLE PROPERTY OF SPORTSFIELD SPECIALTIES INC. ANY REPRODUCTION IN PART OR AS A WHOLE WITHOUT THE WRITTEN PERMISSION OF SPORTSFIELD SPECIALTIES INC. IS PROHIBITED.

Tie-Back Tension Netting System Detail A: Termination Poles and Main Cable

Not To Scale

Sportsfield Specialties Inc 07072022



***Applicable to Both Backstop Systems and Integrated Wall Pad Backstop Systems**

Cable and Associated Hardware Sizes are Shown for Reference Only. Actual Size and Configuration May Vary By Project per Local Code Requirements. See Project Specific Stamped Drawings.

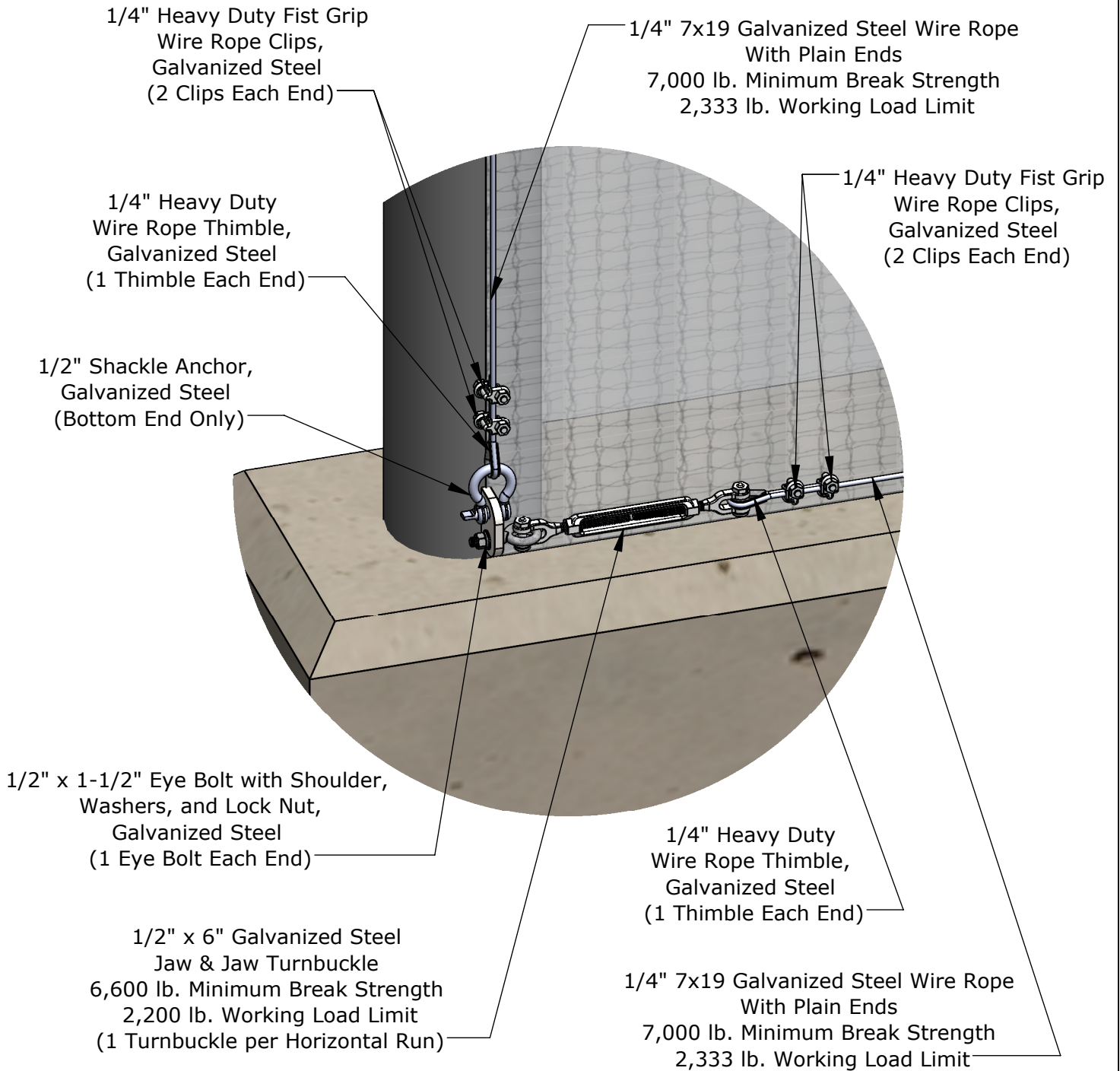
PROPRIETARY AND CONFIDENTIAL

THE INFORMATION CONTAINED IN THIS DRAWING IS THE SOLE PROPERTY OF SPORTSFIELD SPECIALTIES INC. ANY REPRODUCTION IN PART OR AS A WHOLE WITHOUT THE WRITTEN PERMISSION OF SPORTSFIELD SPECIALTIES INC. IS PROHIBITED.

**Tie-Back Tension Netting System
Detail B: Tie-Back Poles and Support Cable**

Not To Scale

Sportsfield Specialties Inc 07072022



***Applicable to Backstop Systems Only**

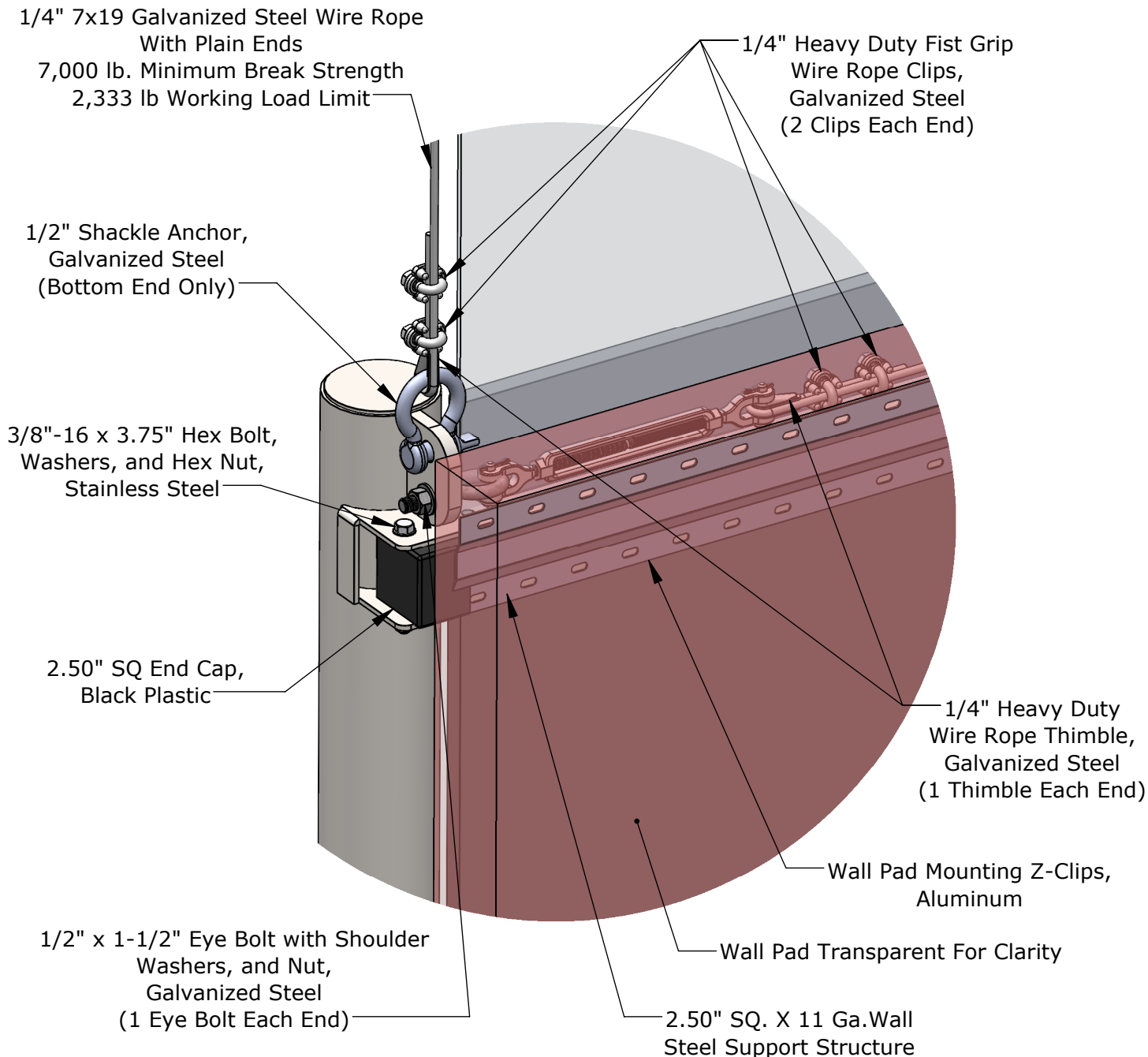
PROPRIETARY AND CONFIDENTIAL

THE INFORMATION CONTAINED IN THIS DRAWING IS THE SOLE PROPERTY OF SPORTSFIELD SPECIALTIES INC. ANY REPRODUCTION IN PART OR AS A WHOLE WITHOUT THE WRITTEN PERMISSION OF SPORTSFIELD SPECIALTIES INC. IS PROHIBITED.

**Pole to Pole Tension Netting System
 Detail C: Bottom Termination Pole Connections**

Not To Scale

Sportsfield Specialties Inc 11232021



***Applicable to Integrated Wall Pad Backstop Systems Only**

PROPRIETARY AND CONFIDENTIAL

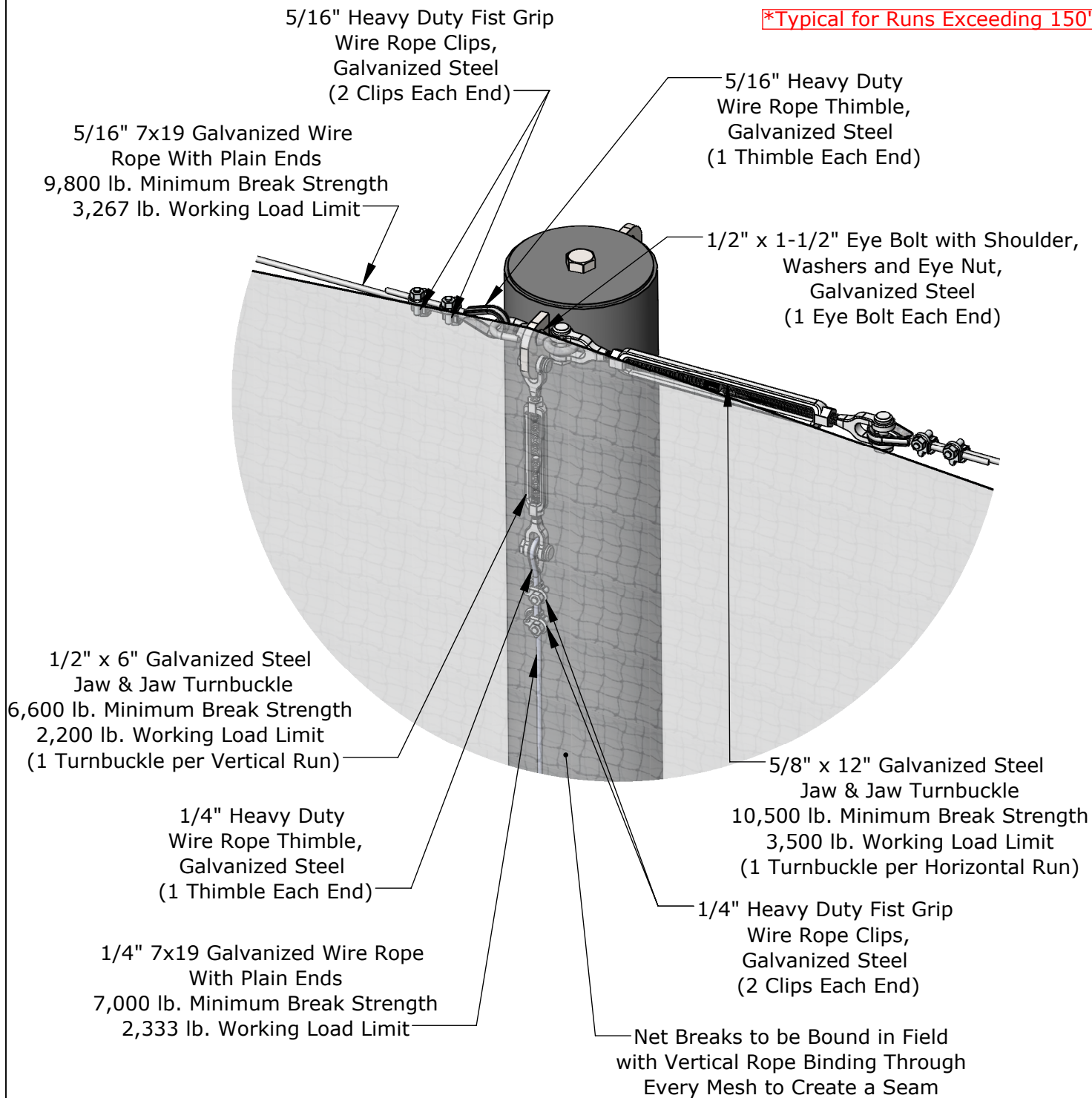
THE INFORMATION CONTAINED IN THIS DRAWING IS THE SOLE PROPERTY OF SPORTSFIELD SPECIALTIES INC. ANY REPRODUCTION IN PART OR AS A WHOLE WITHOUT THE WRITTEN PERMISSION OF SPORTSFIELD SPECIALTIES INC. IS PROHIBITED.

**Tie-Back Tension Netting System
Detail D: Bottom Termination Pole Connections**

Not To Scale

Sportsfield Specialties Inc 07072022

***Typical for Runs Exceeding 150'**



***Applicable to Both Backstop Systems and Integrated Wall Pad Backstop Systems**

PROPRIETARY AND CONFIDENTIAL

THE INFORMATION CONTAINED IN THIS DRAWING IS THE SOLE PROPERTY OF SPORTSFIELD SPECIALTIES INC. ANY REPRODUCTION IN PART OR AS A WHOLE WITHOUT THE WRITTEN PERMISSION OF SPORTSFIELD SPECIALTIES INC. IS PROHIBITED.

Pole to Pole Tension Netting System Detail E: Top Intermediate Pole Connections*

Not To Scale

Sportsfield Specialties Inc 11232021



- Length, Height and Configuration as Required
- Ultra Cross Knotless Dyneema® Netting
- Dyneema® Ultra-High Molecular Weight Polyethylene (UHMWPE)
SK-75 Black Fiber Construction
- 4 Ply, 1.2 mm (0.0472") Diameter Twine
- 95% Open Mesh Area (See-Through Visibility)
- 58,445 psi Minimum Breaking Strength
- 30% Maximum Elongation at Break
- 1-3/4" (44 mm) Square Mesh Size, 0.009 lbs. per Square Foot
- 4 Strand, Braided, Continuous Monofilament Dyneema® Fiber
- Sewn Perimeter Black Multi-Filament Polypropylene Solid Braid Rope
Bound Border - 1/4" Diameter, 530 lb. Minimum Breaking Strength
- Urethane Black Bonded Finish (Other Color Choices Available)
- Strong Resistance to Ultraviolet (UV) Light Degradation
- Excellent Resistance to Chemicals and Water Absorption

PROPRIETARY AND CONFIDENTIAL
THE INFORMATION CONTAINED IN THIS
DRAWING IS THE SOLE PROPERTY OF
SPORTSFIELD SPECIALTIES INC. ANY
REPRODUCTION IN PART OR AS A WHOLE
WITHOUT THE WRITTEN PERMISSION OF
SPORTSFIELD SPECIALTIES INC. IS
PROHIBITED.

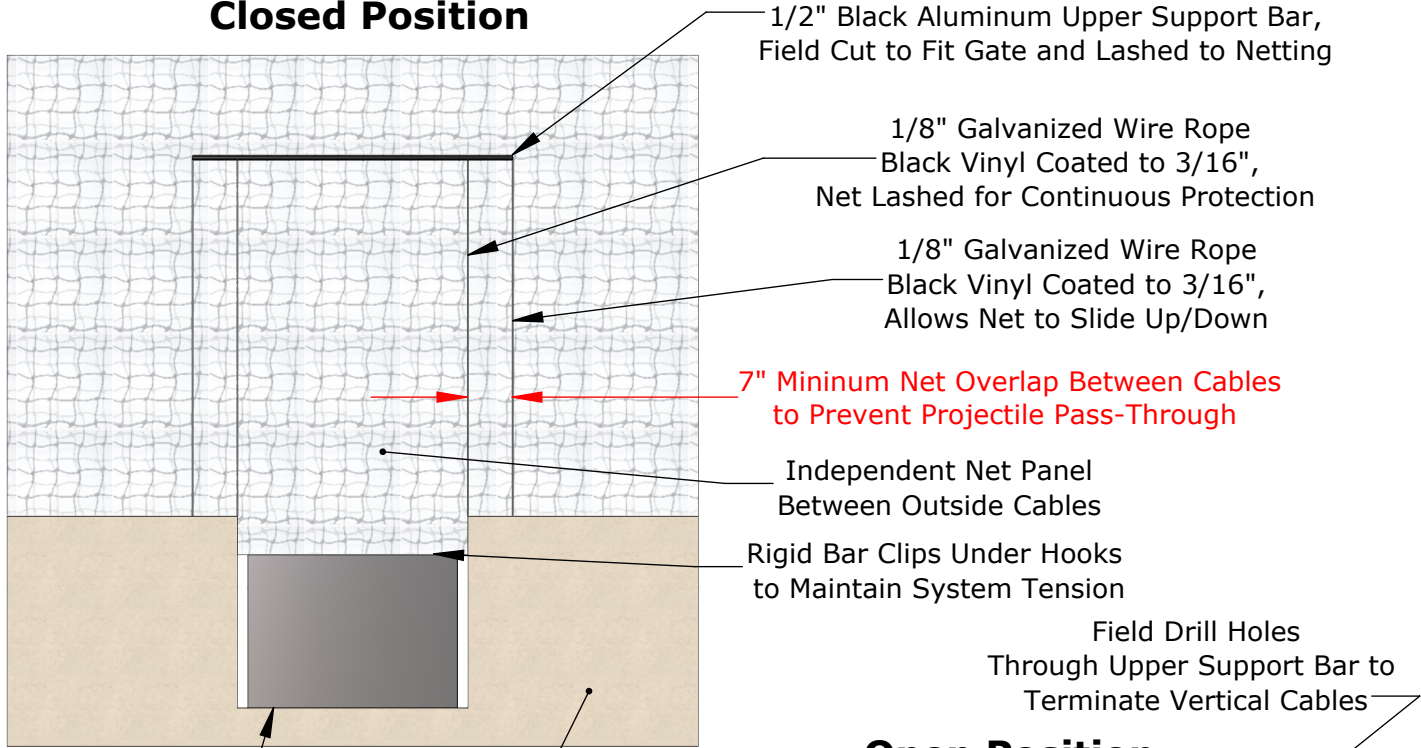
BSSNUC
ULTRA CROSS KNOTLESS DYNEEMA® NETTING - 1-3/4" SQUARE MESH

NOT TO SCALE

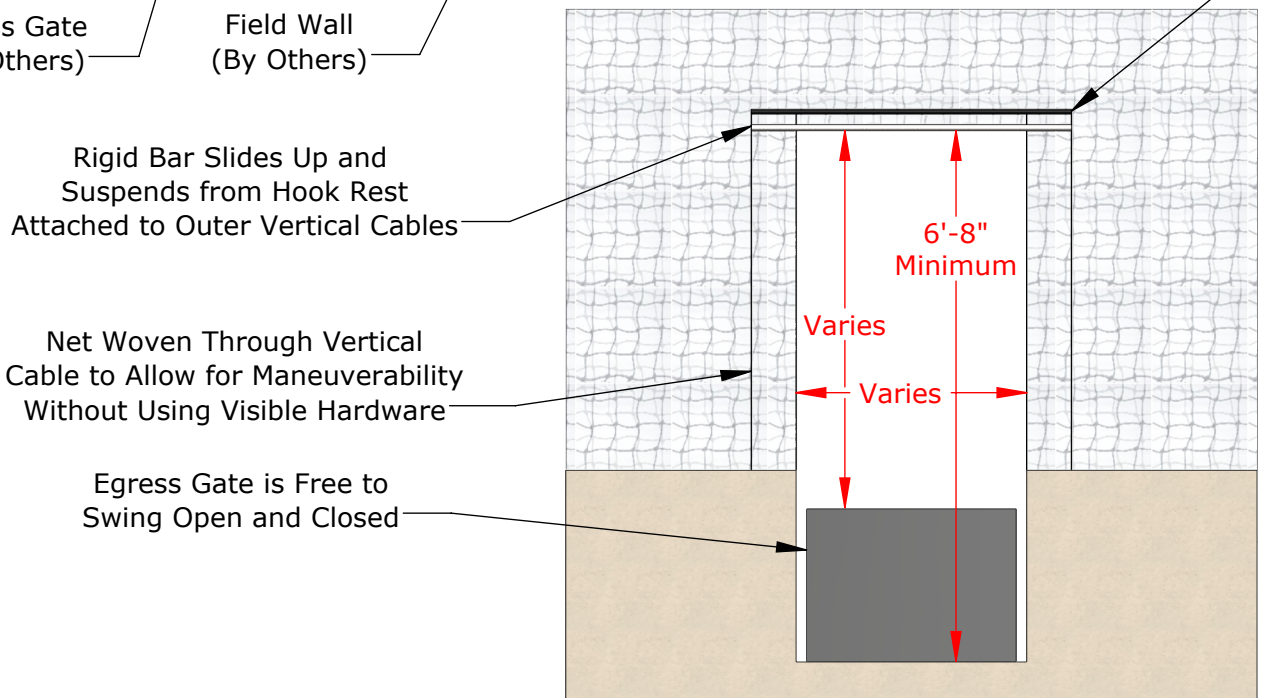
SPORTSFIELD SPECIALTIES INC 03282016

United States Patent #10,226,682, Issued March 12, 2019

Closed Position



Open Position



PROPRIETARY AND CONFIDENTIAL

THE INFORMATION CONTAINED IN THIS DRAWING IS THE SOLE PROPERTY OF SPORTSFIELD SPECIALTIES INC. ANY REPRODUCTION IN PART OR AS A WHOLE WITHOUT THE WRITTEN PERMISSION OF SPORTSFIELD SPECIALTIES INC. IS PROHIBITED.

Tension Netting Gate Egress System

Not To Scale

Sportsfield Specialties Inc 10142020

SSI's ULTRA CROSS® KNOTLESS DYNEEMA® VS. INDUSTRY ALTERNATIVE #18 KNOTTED DYNEEMA®



ULTRA CROSS® KNOTLESS DYNEEMA®



INDUSTRY ALTERNATIVE #18 KNOTTED DYNEEMA®

- SSI IS THE EXCLUSIVE PROVIDER OF ULTRA CROSS® KNOTLESS DYNEEMA® SPORTS NETTING
- ULTRA CROSS® CONSISTS OF ULTRA-HIGH MOLECULAR WEIGHT POLYETHYLENE SK-75 FIBER CONSTRUCTION
- DYNEEMA® HAS EXCELLENT RESISTANCE TO UV DEGRADATION AND CHEMICAL AND WATER ABSORPTION
- ULTRA CROSS® UTILIZES A 4 PLY, 1.2 MM DIAMETER TWINE vs. 1.4 MM FOR THE AVERAGE INDUSTRY ALTERNATIVE #18 KNOTTED DYNEEMA
- ULTRA CROSS® KNOTLESS DYNEEMA® IS 54-267% STRONGER AT THE WEAKEST POINT (THE KNOTS) THAN INDUSTRY ALTERNATIVES, AS VALIDATED BY A THIRD-PARTY TESTING AGENCY
- ULTRA CROSS® KNOTLESS DYNEEMA® IS THE INDUSTRY LEADER OFFERING 95% SEE-THROUGH VISIBILITY
- WITH ULTRA CROSS®, FANS SEE 54% LESS NETTING THAN INDUSTRY ALTERNATIVE #18 KNOTTED DYNEEMA®
- ULTRA CROSS® KNOTLESS DYNEEMA® SYSTEMS ARE EXPOSED TO UP TO 6,400 LB LESS WIND LOAD THAN INDUSTRY ALTERNATIVE #18 KNOTTED DYNEEMA® SYSTEMS
- ULTRA CROSS® KNOTLESS DYNEEMA® SYSTEMS OFFER EASIER HANDLING AND INSTALLATION/REMOVAL AS A RESULT OF NET WEIGHT REDUCTION
- SIGNIFICANT COST SAVINGS ON POLES, FOUNDATIONS, REBAR CAGES AND INSTALLATION COSTS DUE TO DRAMATIC LOAD REDUCTION (VERIFIED THROUGH CASE STUDY ANALYSIS)

PROPRIETARY AND CONFIDENTIAL
THE INFORMATION CONTAINED IN THIS
DRAWING IS THE SOLE PROPERTY OF
SPORTSFIELD SPECIALTIES INC. ANY
REPRODUCTION IN PART OR AS A WHOLE
WITHOUT THE WRITTEN PERMISSION OF
SPORTSFIELD SPECIALTIES INC. IS
PROHIBITED.

DYNEEMA® COMPETITIVE COMPARISON
ULTRA CROSS® KNOTLESS VS. INDUSTRY ALTERNATIVE #18

NOT TO SCALE

SPORTSFIELD SPECIALTIES INC III22015



- Length, Height and Configuration as Required
- #36 Knotted Nylon Netting
- 2.6mm (0.1023") Diameter Twine
- 87% Open Mesh Area (See-Through Visibility)
- 13,363 psi Minimum Breaking Strength
- 1-3/4" (44 mm) Square Mesh Size, 0.0425 lbs. per Square Foot
- 3 Strand Twisted Nylon Fiber
- Sewn Perimeter Black Multi-Filament Polypropylene Solid Braid Rope Bound Border - 1/4" Diameter, 530 lb. Minimum Breaking Strength
- Strong Resistance to Ultraviolet (UV) Light Degradation

PROPRIETARY AND CONFIDENTIAL
THE INFORMATION CONTAINED IN THIS
DRAWING IS THE SOLE PROPERTY OF
SPORTSFIELD SPECIALTIES INC. ANY
REPRODUCTION IN PART OR AS A WHOLE
WITHOUT THE WRITTEN PERMISSION OF
SPORTSFIELD SPECIALTIES INC. IS
PROHIBITED.

BSSN36
#36 KNOTTED NYLON NETTING - 1-3/4" SQUARE MESH

NOT TO SCALE

SPORTSFIELD SPECIALTIES INC 03282016