

SPORTSFIELD SPECIALTIES

www.sportsfield.com | 888-975-3343

*Excellence from
Design to Installation*



Baseball / Softball Batting Tunnels



Sportsfield Specialties, Inc. 41155 State Hwy 10. Delhi, NY 13753



Baseball / Softball Batting Tunnels

Product Overview

- Tension, overhead, and cantilever styles available
- Single, double, and triple baseball/softball configurations
- Full-height overlapping entry flaps provide convenience and safety
- Super durable black powder coated aluminum or steel framework
- Black #36 nylon, 1-3/4" mesh net with factory-sewn weighted rope bottom
- #60 and #84 nylon nets available upon request (structure may vary)
- Indoor applications and custom designs available upon request



Overhead Batting Tunnels

Item	Product Description
BTOBSPL	Single overhead baseball batting tunnel, base plate mount
BTOSSPL	Single overhead softball batting tunnel, base plate mount
BTOBS	Single overhead baseball batting tunnel, ground sleeve insert
BTOSS	Single overhead softball batting tunnel, ground sleeve insert
BTOBDPL	Double overhead baseball batting tunnel, base plate mount
BTOSDPL	Double overhead softball batting tunnel, base plate mount
BTOBD	Double overhead baseball batting tunnel, ground sleeve insert
BTOSD	Double overhead softball batting tunnel, ground sleeve insert
BTOBTPL	Triple overhead baseball batting tunnel, base plate mount
BTOSTPL	Triple overhead softball batting tunnel, base plate mount
BTOBT	Triple overhead baseball batting tunnel, ground sleeve insert
BTOST	Triple overhead softball batting tunnel, ground sleeve insert

Tension Batting Tunnels

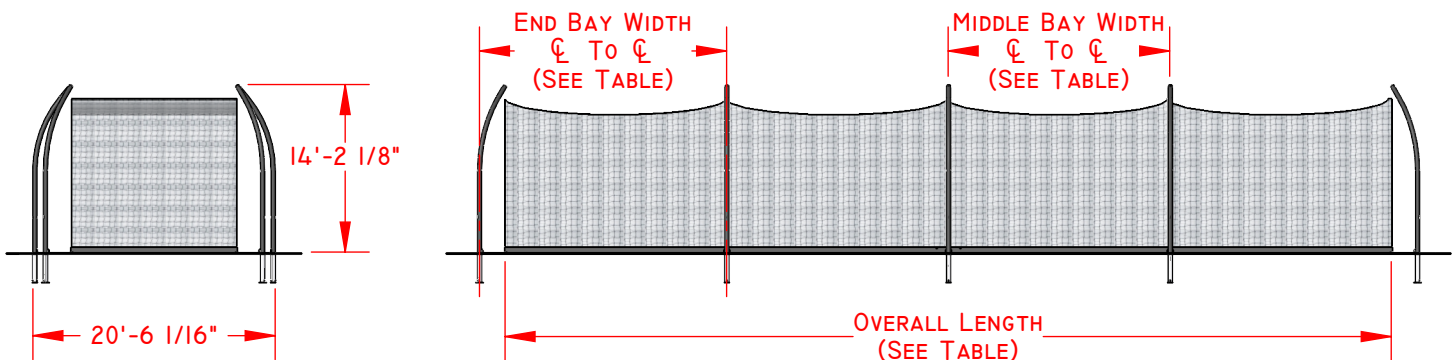
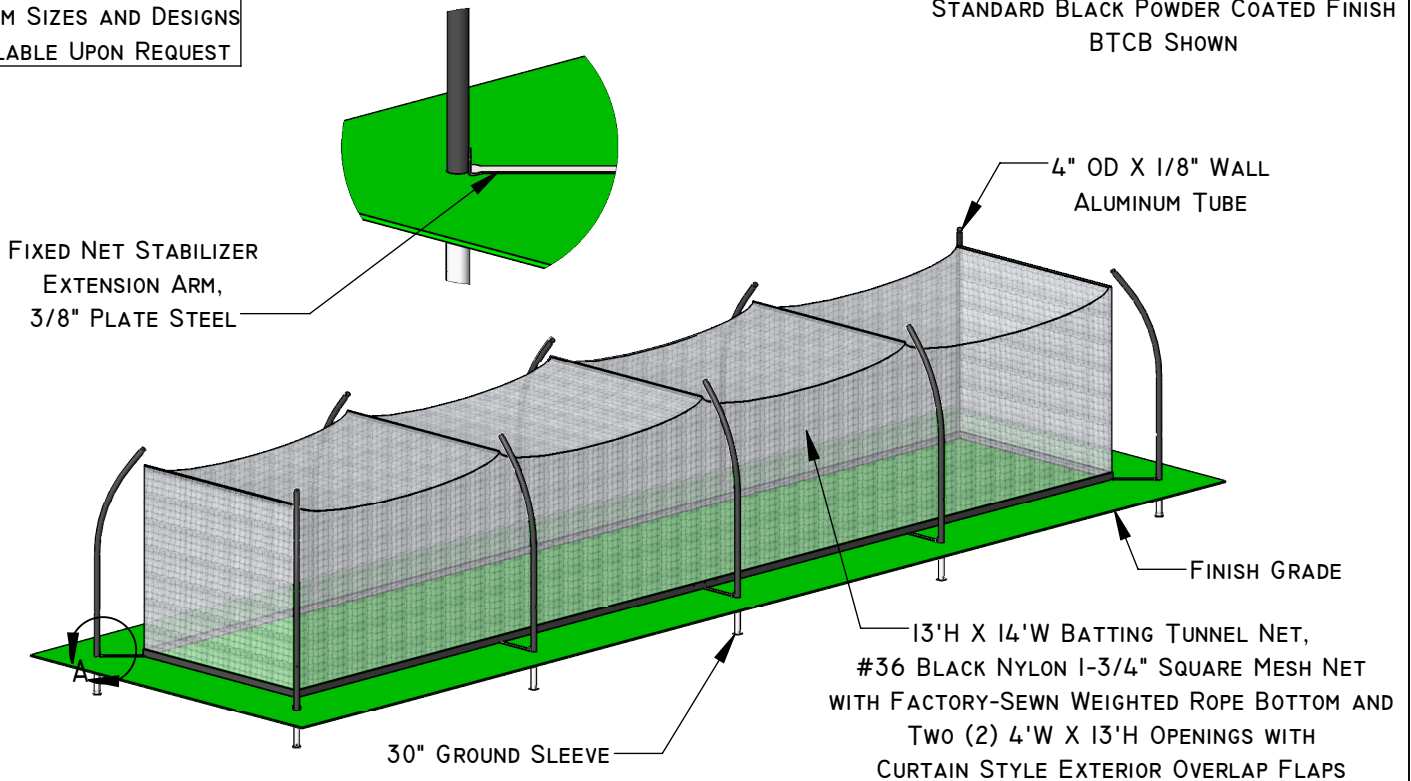
Item	Product Description
BTTBS	Single tension baseball batting tunnel
BTTSS	Single tension softball batting tunnel
BTTBD	Double tension baseball batting tunnel
BTTSD	Double tension softball batting tunnel
BTTBT	Triple tension baseball batting tunnel
BTTST	Triple tension softball batting tunnel

Cantilever Batting Tunnels

Item	Product Description
BTCB	Cantilever baseball batting tunnel
BTCS	Cantilever softball batting tunnel

CUSTOM SIZES AND DESIGNS
AVAILABLE UPON REQUEST

STANDARD BLACK POWDER COATED FINISH
BTCB SHOWN



MODEL	SPORT	OVERALL LENGTH	END BAY WIDTH	MIDDLE BAY WIDTH
BTCB	BASEBALL	75'	20'-11"	(2) @ 18'-9"
BTCS	SOFTBALL	55'	20'-6"	(1) @ 18'-4"

FOUNDATION REQUIREMENTS
VARY BASED ON LOCAL
CODES AND SOIL CONDITIONS

SPORTSFIELD SPECIALTIES, INC. STRONGLY RECOMMENDS THE REMOVAL OF ALL NETS PRIOR TO EXPOSURE TO WINTER WEATHER, INCLUDING SNOW AND/OR ICE STORMS. WHENEVER POSSIBLE, THE NETS SHOULD ALSO BE LOWERED PRIOR TO ANY EXTREME WIND EVENTS. REMOVAL/LOWERING OF THE NETS WILL MITIGATE ANY UNFORESEEN DAMAGE TO THE POLES, NETS AND/OR ATTACHMENT HARDWARE. STORING NETS IN A DRY, PEST FREE LOCATION WILL HELP EXTEND THE LIFE OF THE NETS. SPORTSFIELD SPECIALTIES, INC. WILL NOT BE HELD LIABLE OR ASSUME RESPONSIBILITY FOR ANY DAMAGE TO THE NETS, POLES AND/OR CORRESPONDING ATTACHMENT HARDWARE IF THE NETS ARE NOT REMOVED/LOWERED PRIOR TO THE ABOVE DESCRIBED WIND AND/OR WEATHER EVENTS.

PROPRIETARY AND CONFIDENTIAL

THE INFORMATION CONTAINED IN THIS DRAWING IS THE SOLE PROPERTY OF SPORTSFIELD SPECIALTIES INC. ANY REPRODUCTION IN PART OR AS A WHOLE WITHOUT THE WRITTEN PERMISSION OF SPORTSFIELD SPECIALTIES INC. IS PROHIBITED.

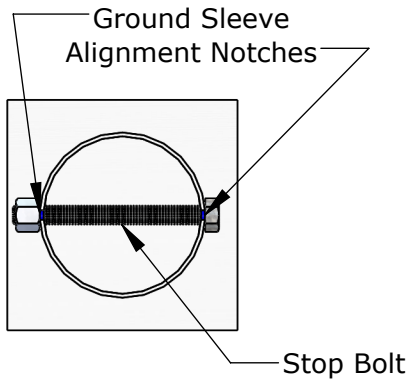
Cantilever Batting Tunnel

Not To Scale

Sportsfield Specialties Inc 08232023

Note: All measurements are center-to-center of ground sleeve

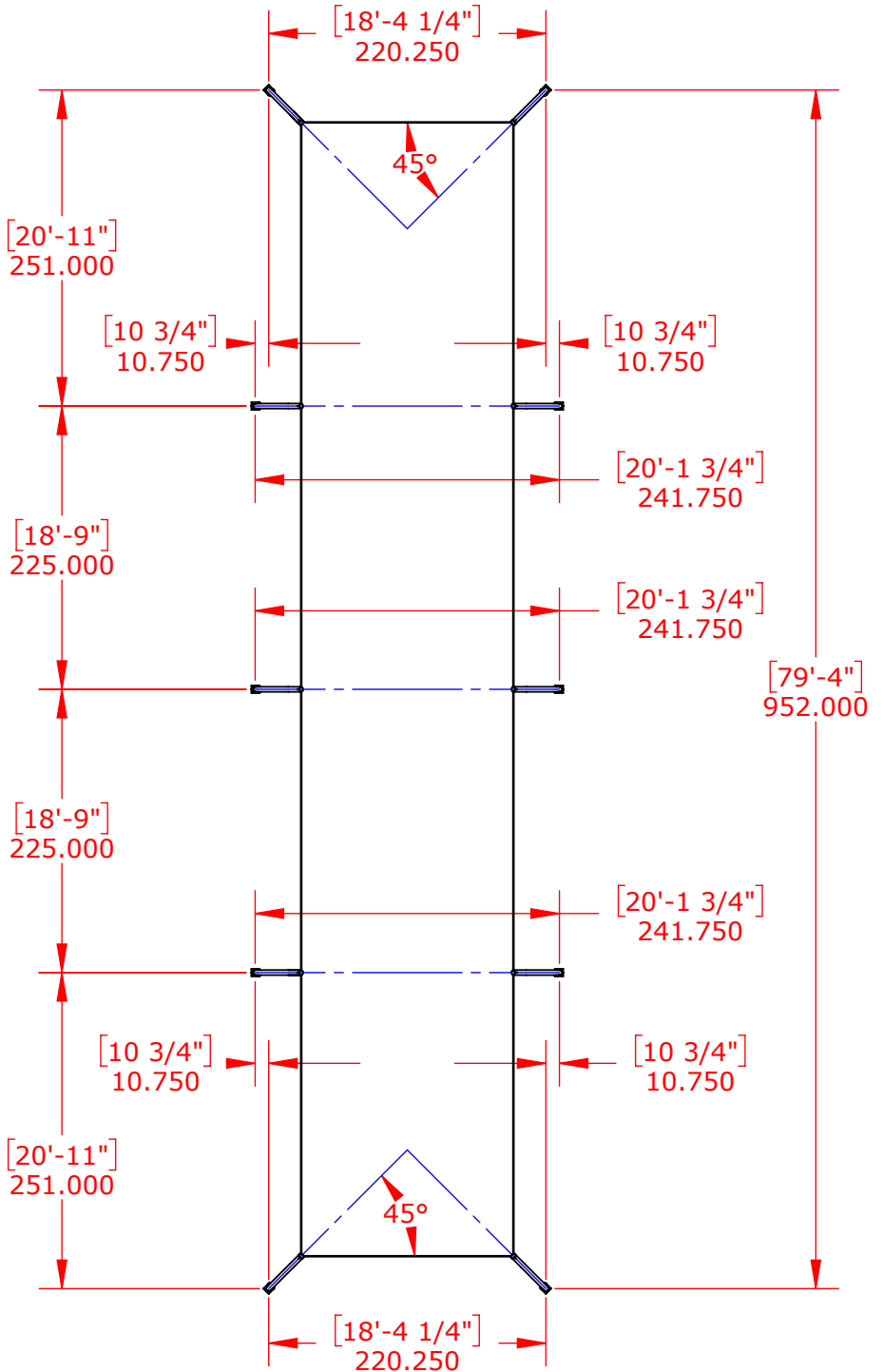
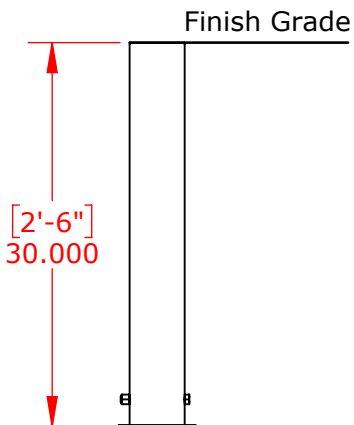
For foundation requirements please refer to contract documents and/or local codes/conditions



Stop bolt/alignment notches must be installed in correct position to allow for proper orientation of upright pole

Legend:

Alignment Notch Direction



PROPRIETARY AND CONFIDENTIAL

THE INFORMATION CONTAINED IN THIS DRAWING IS THE SOLE PROPERTY OF SPORTSFIELD SPECIALTIES INC. ANY REPRODUCTION IN PART OR AS A WHOLE WITHOUT THE WRITTEN PERMISSION OF SPORTSFIELD SPECIALTIES INC. IS PROHIBITED.

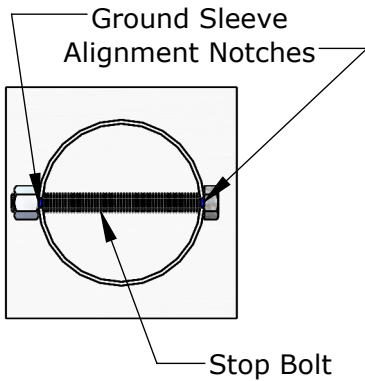
BTCB Cantilever Batting Tunnel Baseball Ground Sleeve Layout

Not To Scale

Sportsfield Specialties Inc 105766.1-221220

Note: All measurements are center-to-center of ground sleeve

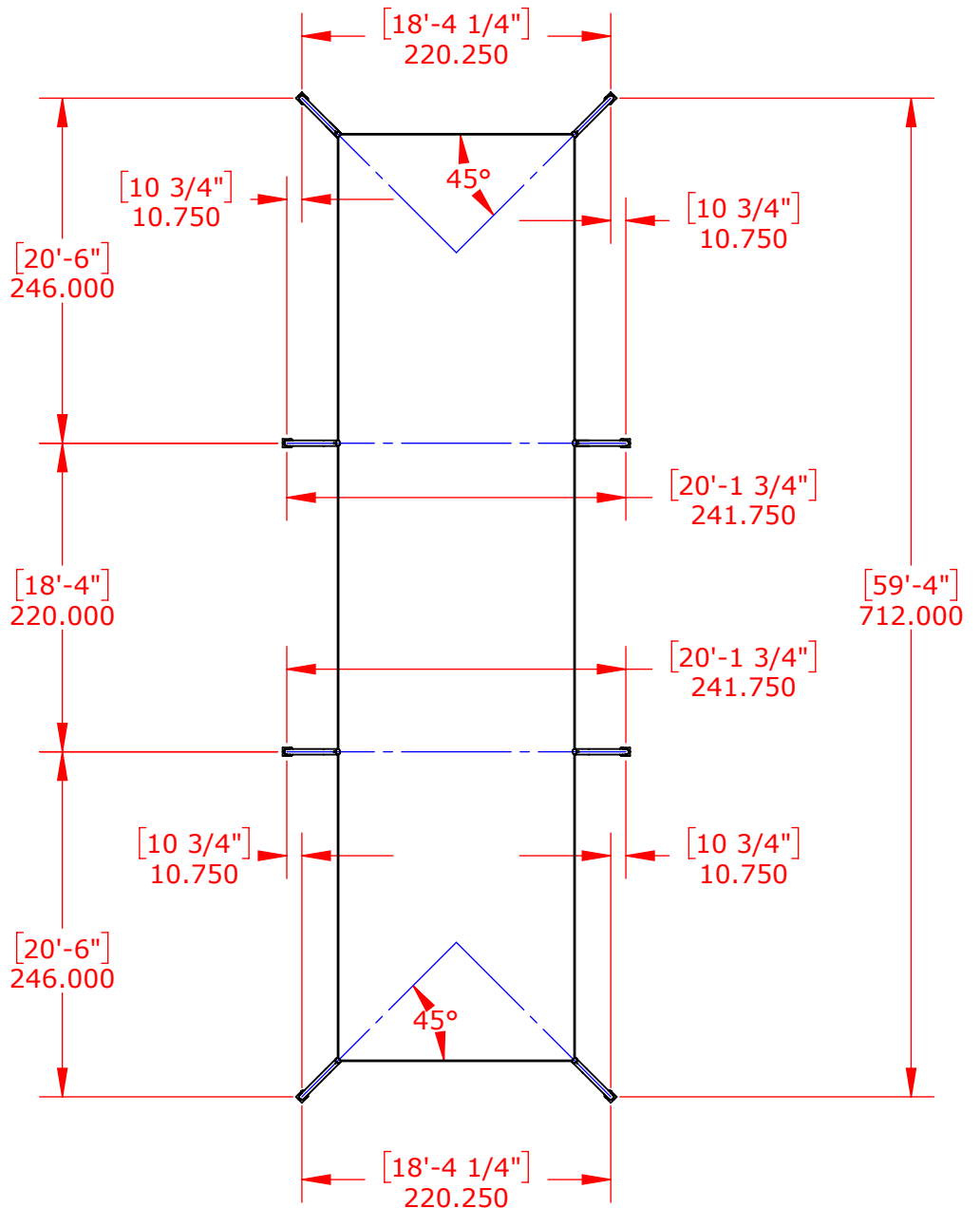
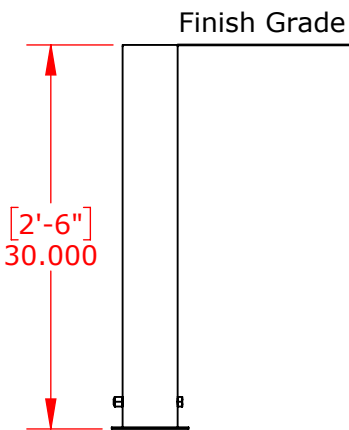
For foundation requirements please refer to contract documents and/or local codes/conditions



Stop bolt/alignment notches must be installed in correct position to allow for proper orientation of upright pole

Legend:

Alignment Notch Direction



PROPRIETARY AND CONFIDENTIAL

THE INFORMATION CONTAINED IN THIS DRAWING IS THE SOLE PROPERTY OF SPORTSFIELD SPECIALTIES INC. ANY REPRODUCTION IN PART OR AS A WHOLE WITHOUT THE WRITTEN PERMISSION OF SPORTSFIELD SPECIALTIES INC. IS PROHIBITED.

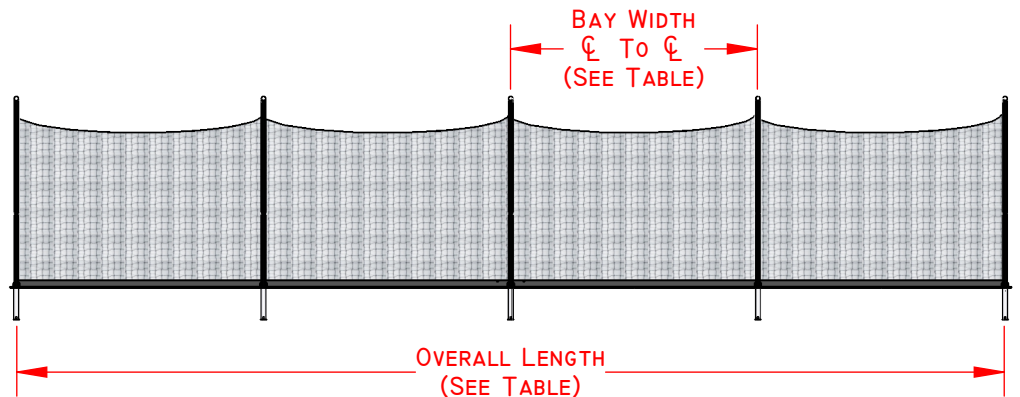
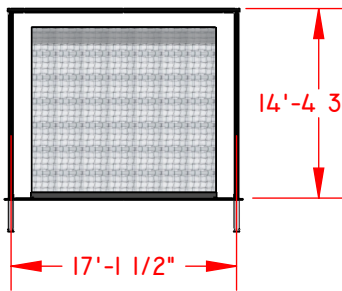
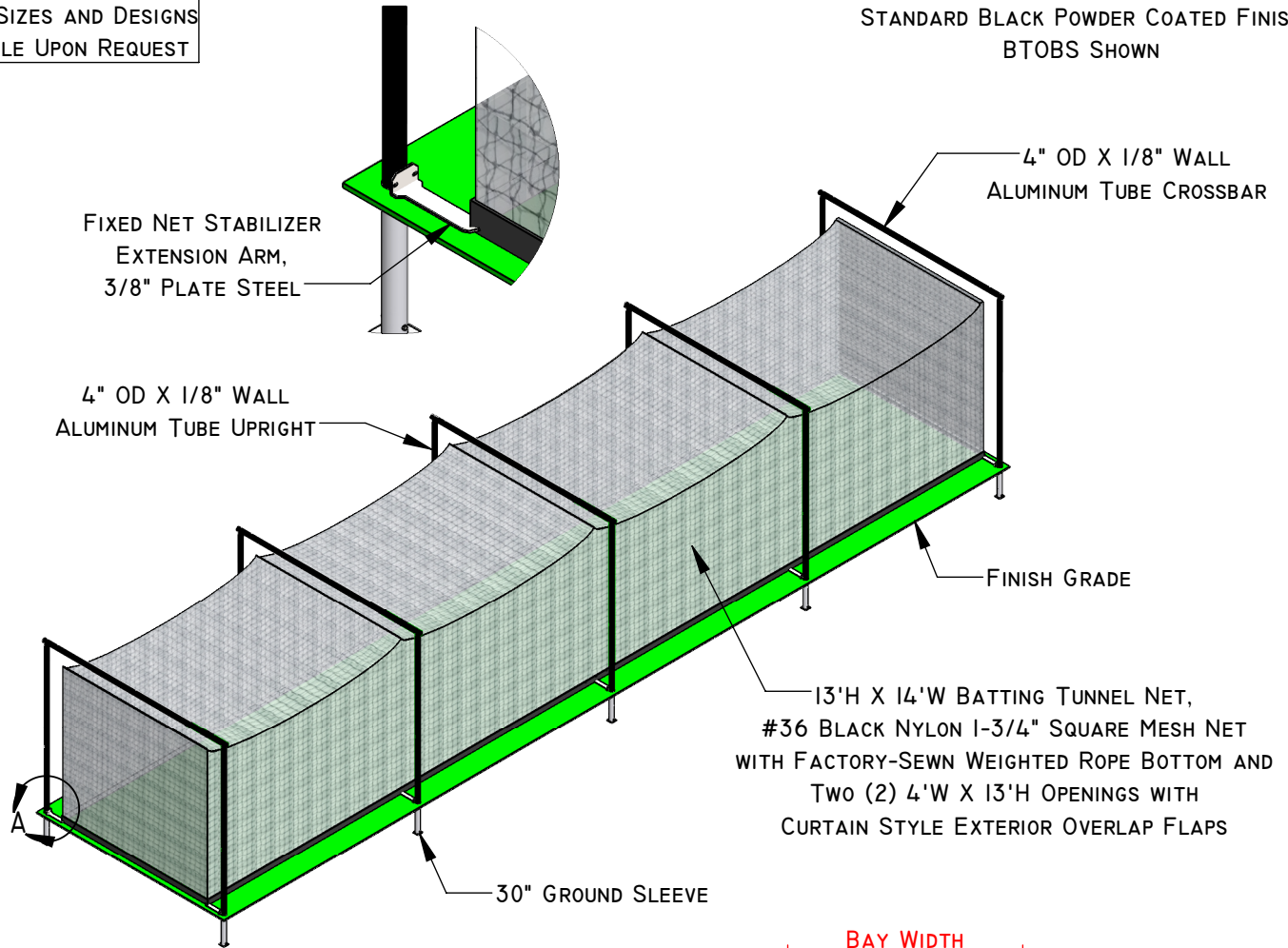
BTCS - Cantilever Batting Tunnel Softball Ground Sleeve Layout

Not To Scale

Sportsfield Specialties Inc 105767.1-221220

CUSTOM SIZES AND DESIGNS
 AVAILABLE UPON REQUEST

STANDARD BLACK POWDER COATED FINISH
 BTOBS SHOWN



FOUNDATION REQUIREMENTS
 VARY BASED ON LOCAL
 CODES AND SOIL CONDITIONS

SPORTSFIELD SPECIALTIES, INC. STRONGLY RECOMMENDS THE REMOVAL OF ALL NETS PRIOR TO EXPOSURE TO WINTER WEATHER, INCLUDING SNOW AND/OR ICE STORMS. WHENEVER POSSIBLE, THE NETS SHOULD ALSO BE LOWERED PRIOR TO ANY EXTREME WIND EVENTS. REMOVAL/LOWERING OF THE NETS WILL MITIGATE ANY UNFORESEEN DAMAGE TO THE POLES, NETS AND/OR ATTACHMENT HARDWARE. STORING NETS IN A DRY, PEST FREE LOCATION WILL HELP EXTEND THE LIFE OF THE NETS. SPORTSFIELD SPECIALTIES, INC. WILL NOT BE HELD LIABLE OR ASSUME RESPONSIBILITY FOR ANY DAMAGE TO THE NETS, POLES AND/OR CORRESPONDING ATTACHMENT HARDWARE IF THE NETS ARE NOT REMOVED/LOWERED PRIOR TO THE ABOVE DESCRIBED WIND AND/OR WEATHER EVENTS.

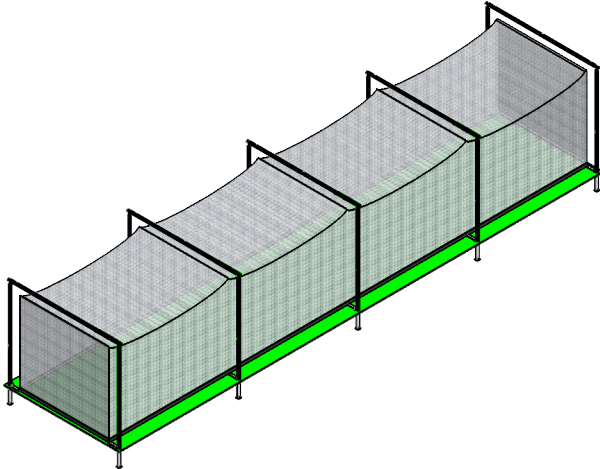
PROPRIETARY AND CONFIDENTIAL

THE INFORMATION CONTAINED IN THIS DRAWING IS THE SOLE PROPERTY OF SPORTSFIELD SPECIALTIES INC. ANY REPRODUCTION IN PART OR AS A WHOLE WITHOUT THE WRITTEN PERMISSION OF SPORTSFIELD SPECIALTIES INC. IS PROHIBITED.

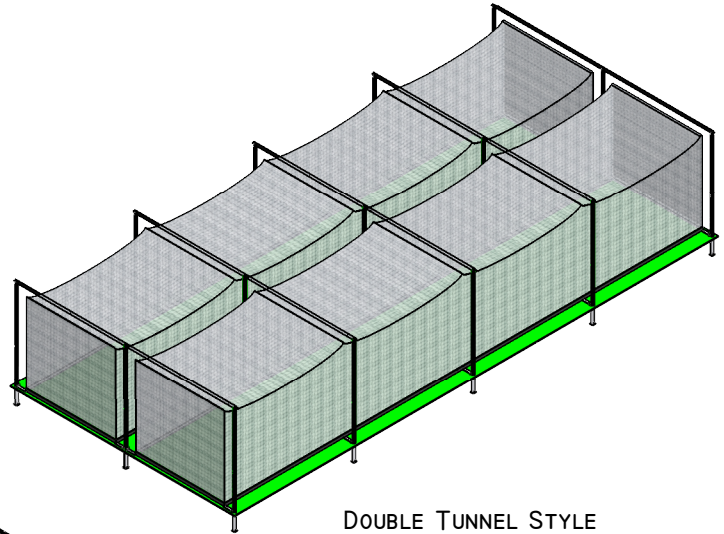
Ground Sleeve Overhead Batting Tunnel

Not To Scale

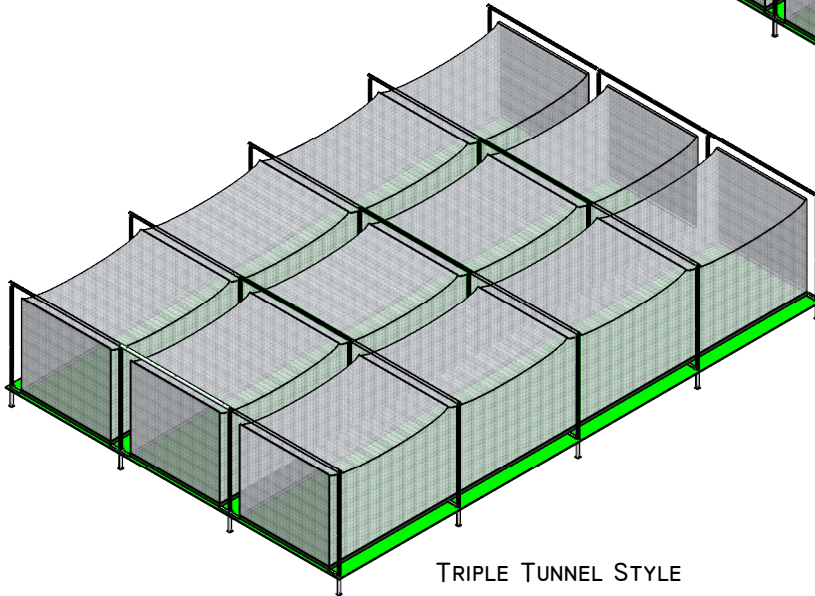
Sportsfield Specialties Inc 08232023



SINGLE TUNNEL STYLE



DOUBLE TUNNEL STYLE



TRIPLE TUNNEL STYLE

BASEBALL TUNNELS SHOWN

MODEL	SPORT	STYLE	OVERALL LENGTH	BAY WIDTH
BTOBS	BASEBALL	SINGLE	75'	(4) @ 18'-9"
BTOBD	BASEBALL	DOUBLE		
BTOBT	BASEBALL	TRIPLE		
BTOSS	SOFTBALL	SINGLE	55'	(3) @ 18'-4"
BTOSD	SOFTBALL	DOUBLE		
BTOST	SOFTBALL	TRIPLE		

PROPRIETARY AND CONFIDENTIAL

THE INFORMATION CONTAINED IN THIS DRAWING IS THE SOLE PROPERTY OF SPORTSFIELD SPECIALTIES INC. ANY REPRODUCTION IN PART OR AS A WHOLE WITHOUT THE WRITTEN PERMISSION OF SPORTSFIELD SPECIALTIES INC. IS PROHIBITED.

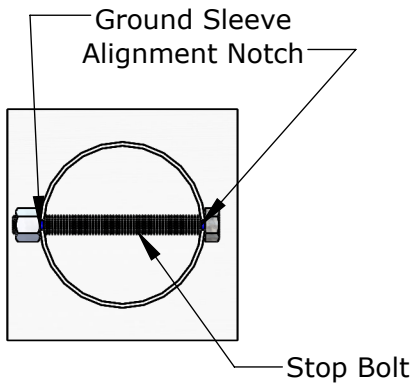
Ground Sleeve Overhead Batting Tunnel

Not To Scale

Sportsfield Specialties Inc 08232023

Note: All measurements are center-to-center of ground sleeve

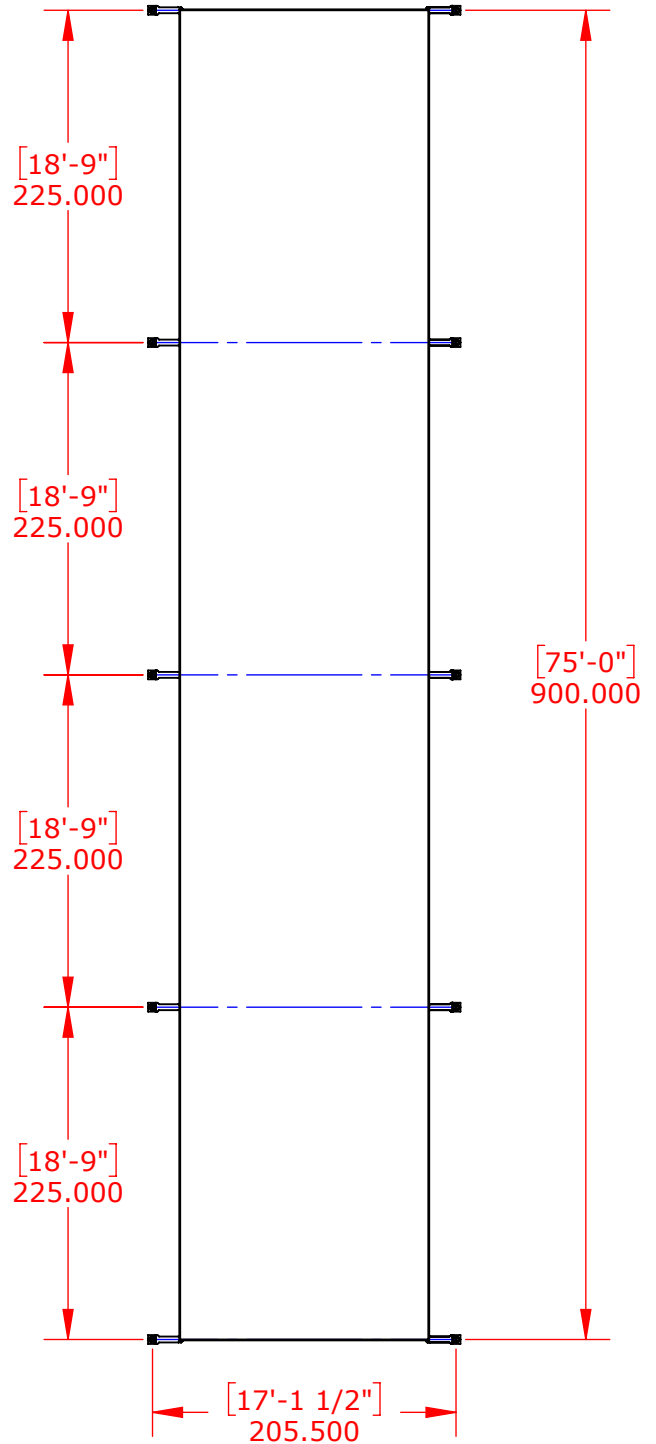
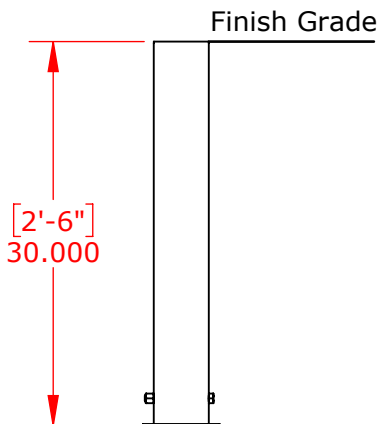
For foundation requirements please refer to contract documents and/or local codes/conditions



Stop bolt/alignment notches must be installed in correct position to allow for proper orientation of upright pole

Legend:

— — — — —
Alignment Notch Direction



PROPRIETARY AND CONFIDENTIAL

THE INFORMATION CONTAINED IN THIS DRAWING IS THE SOLE PROPERTY OF SPORTSFIELD SPECIALTIES INC. ANY REPRODUCTION IN PART OR AS A WHOLE WITHOUT THE WRITTEN PERMISSION OF SPORTSFIELD SPECIALTIES INC. IS PROHIBITED.

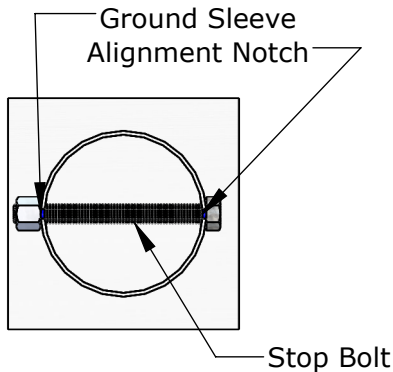
BTOBS Ground Sleeve Overhead Batting Tunnel Single Baseball Ground Sleeve Layout

Not To Scale

Sportsfield Specialties Inc 105562.1-221209

Note: All measurements are center-to-center of ground sleeve

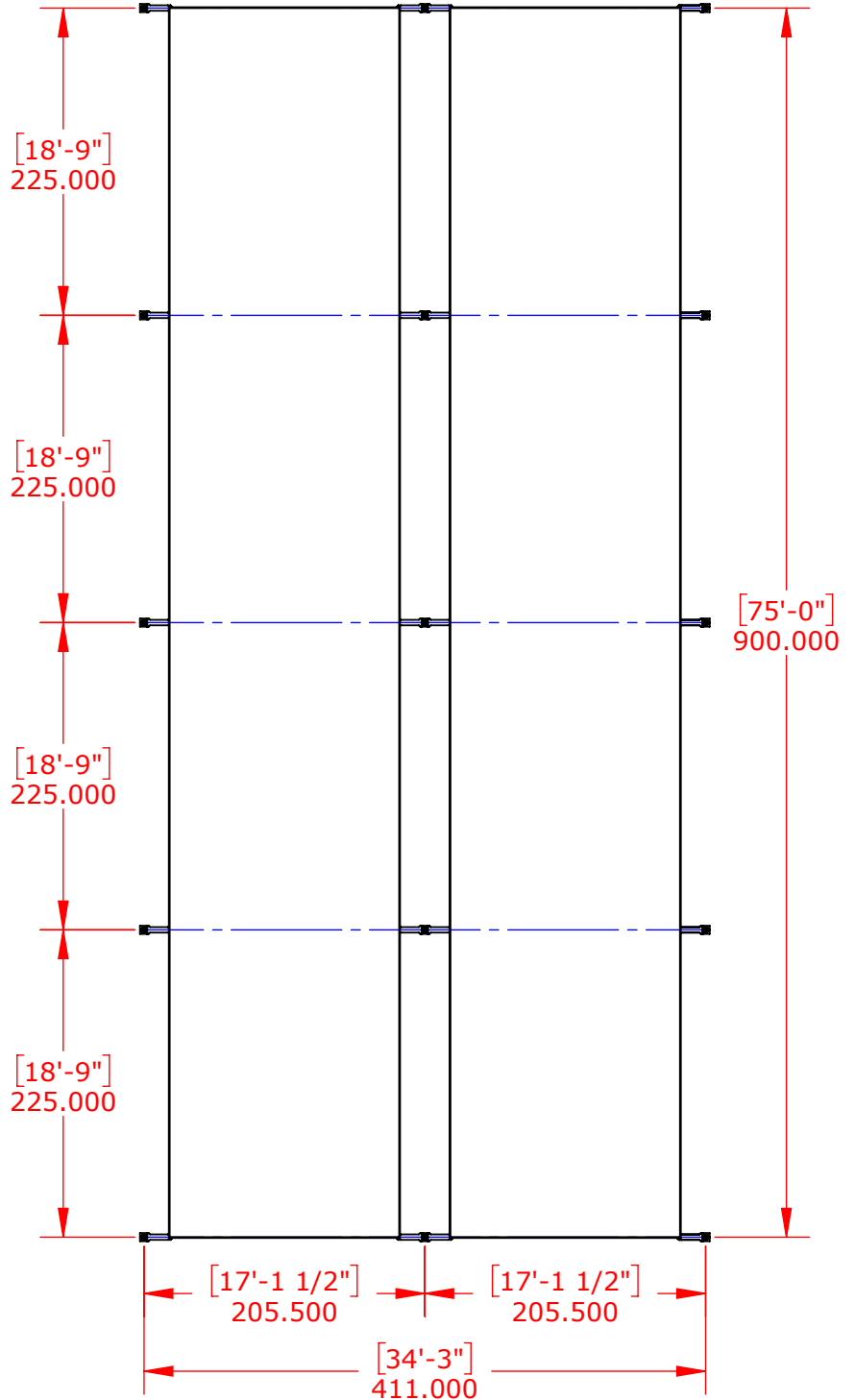
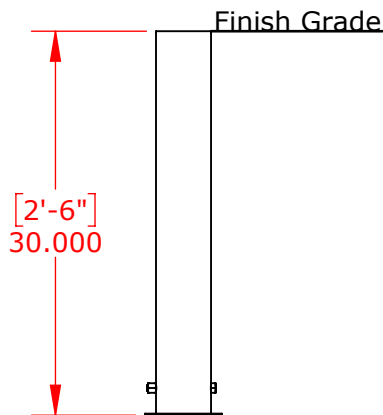
For foundation requirements please refer to contract documents and/or local codes/conditions



Stop bolt/alignment notches must be installed in correct position to allow for proper orientation of upright pole

Legend:

Alignment Notch Direction



PROPRIETARY AND CONFIDENTIAL

THE INFORMATION CONTAINED IN THIS DRAWING IS THE SOLE PROPERTY OF SPORTSFIELD SPECIALTIES INC. ANY REPRODUCTION IN PART OR AS A WHOLE WITHOUT THE WRITTEN PERMISSION OF SPORTSFIELD SPECIALTIES INC. IS PROHIBITED.

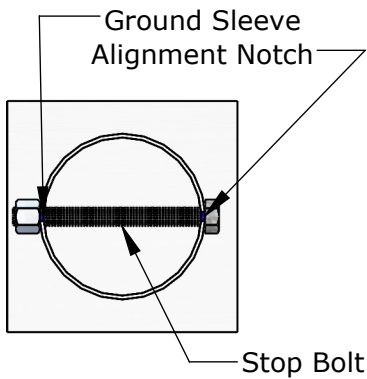
BTOBD Ground Sleeve Overhead Batting Tunnel Double Baseball Ground Sleeve Layout

Not To Scale

Sportsfield Specialties Inc 105561.1-221209

Note: All measurements are center-to-center of ground sleeve

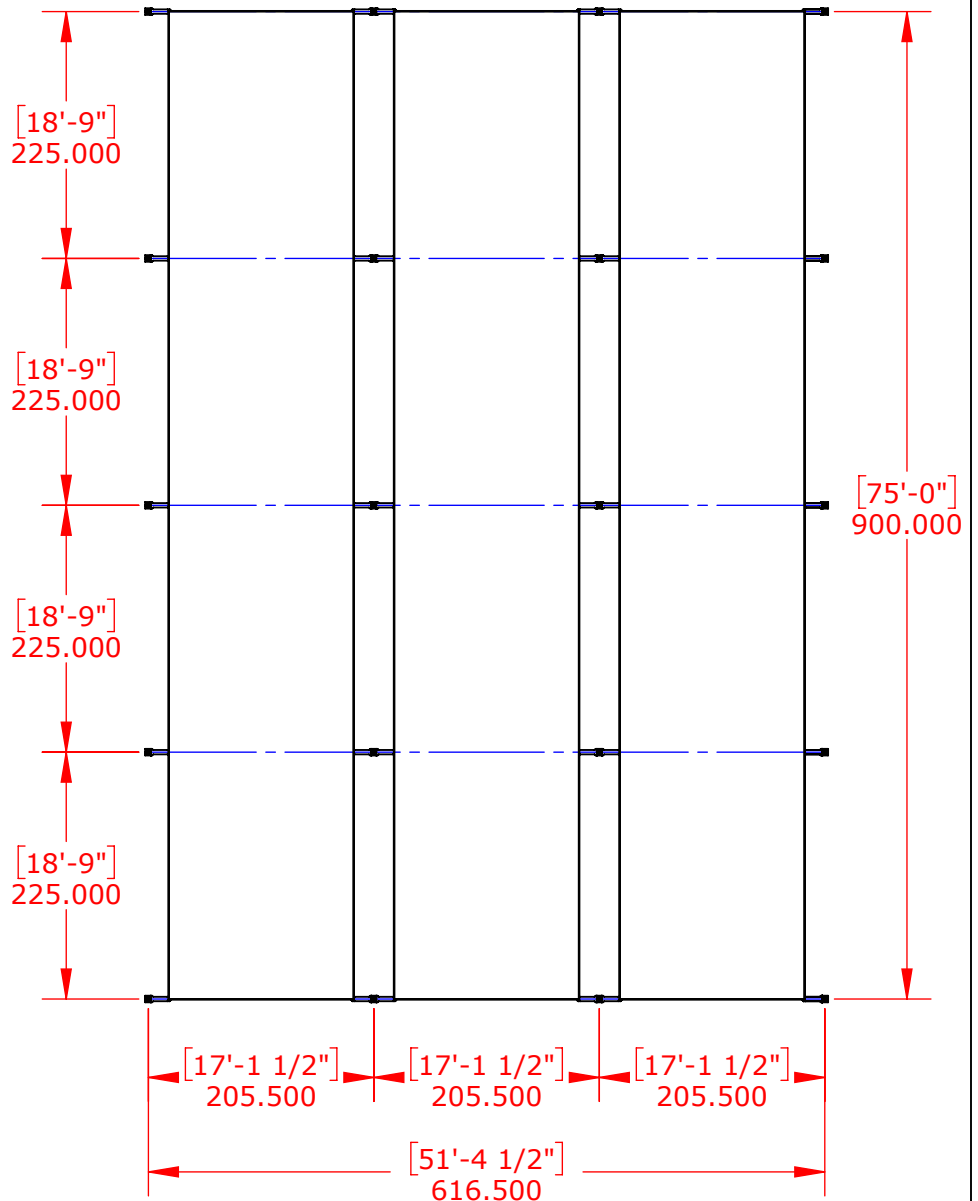
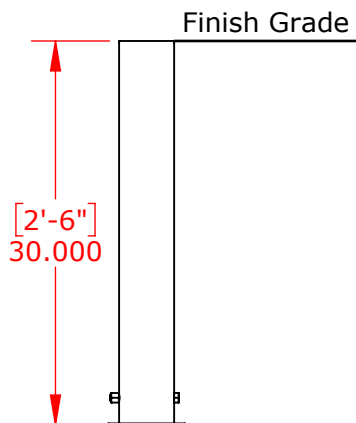
For foundation requirements please refer to contract documents and/or local codes/conditions



Stop bolt/alignment notches must be installed in correct position to allow for proper orientation of upright pole

Legend:

Alignment Notch Direction



PROPRIETARY AND CONFIDENTIAL

THE INFORMATION CONTAINED IN THIS DRAWING IS THE SOLE PROPERTY OF SPORTSFIELD SPECIALTIES INC. ANY REPRODUCTION IN PART OR AS A WHOLE WITHOUT THE WRITTEN PERMISSION OF SPORTSFIELD SPECIALTIES INC. IS PROHIBITED.

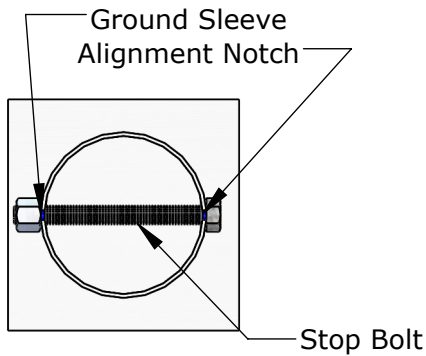
BTOBT Ground Sleeve Overhead Batting Tunnel Triple Baseball Ground Sleeve Layout

Not To Scale

Sportsfield Specialties Inc 105563.1-221209

Note: All measurements are center-to-center of ground sleeve

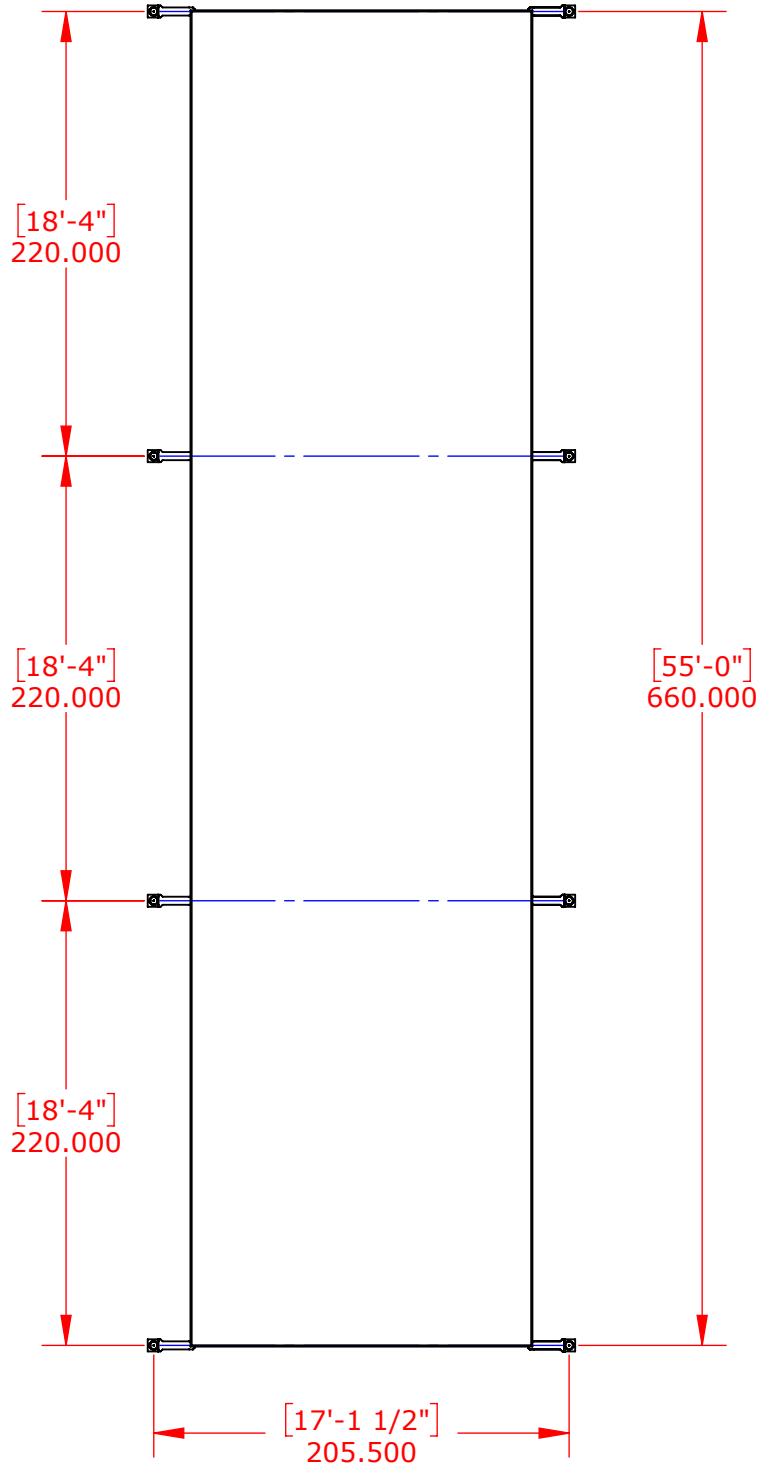
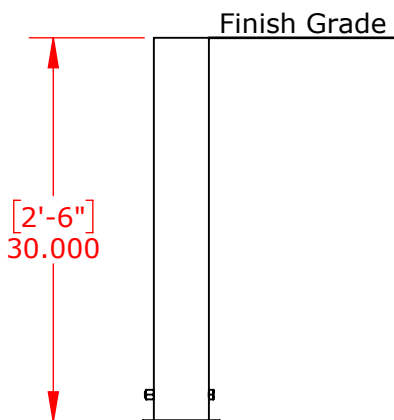
For foundation requirements please refer to contract documents and/or local codes/conditions



Stop bolt/alignment notches must be installed in correct position to allow for proper orientation of upright pole

Legend:

Alignment Notch Direction



PROPRIETARY AND CONFIDENTIAL

THE INFORMATION CONTAINED IN THIS DRAWING IS THE SOLE PROPERTY OF SPORTSFIELD SPECIALTIES INC. ANY REPRODUCTION IN PART OR AS A WHOLE WITHOUT THE WRITTEN PERMISSION OF SPORTSFIELD SPECIALTIES INC. IS PROHIBITED.

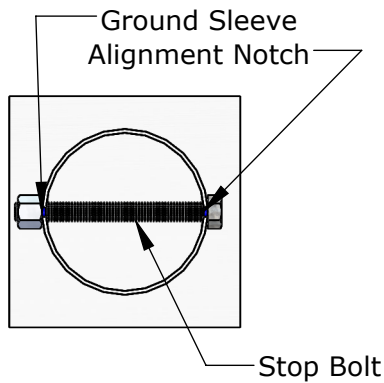
BTOSS Ground Sleeve Overhead Batting Tunnel Single Softball Ground Sleeve Layout

Not To Scale

Sportsfield Specialties Inc 105565.1-221209

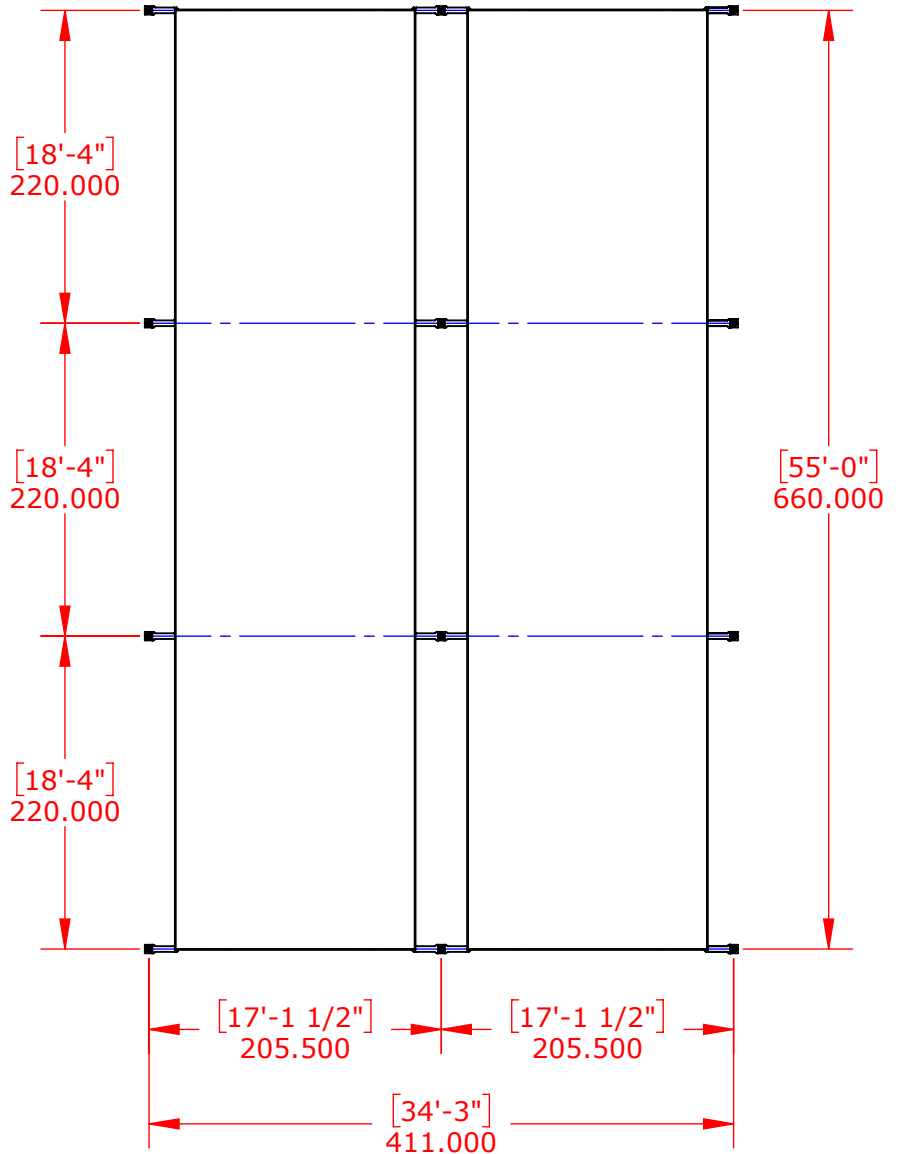
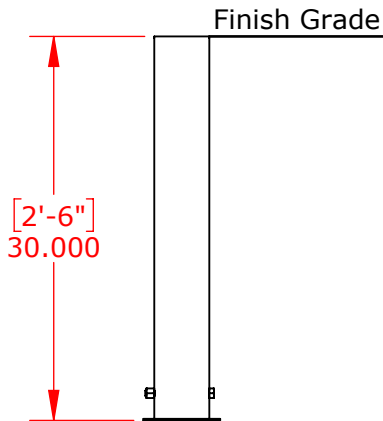
Note: All measurements are center-to-center of ground sleeve

For foundation requirements please refer to contract documents and/or local codes/conditions



Stop bolt/alignment notches must be installed in correct position to allow for proper orientation of upright pole

Legend:



PROPRIETARY AND CONFIDENTIAL

THE INFORMATION CONTAINED IN THIS DRAWING IS THE SOLE PROPERTY OF SPORTSFIELD SPECIALTIES INC. ANY REPRODUCTION IN PART OR AS A WHOLE WITHOUT THE WRITTEN PERMISSION OF SPORTSFIELD SPECIALTIES INC. IS PROHIBITED.

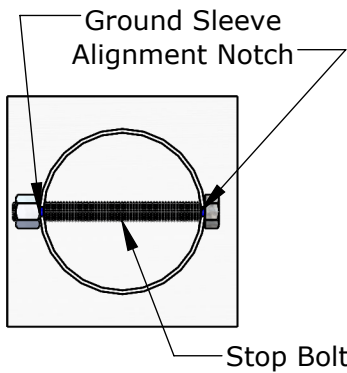
BTOSD Ground Sleeve Overhead Batting Tunnel Double Softball Ground Sleeve Layout

Not To Scale

Sportsfield Specialties Inc 105564.1-221209

Note: All measurements are center-to-center of ground sleeve

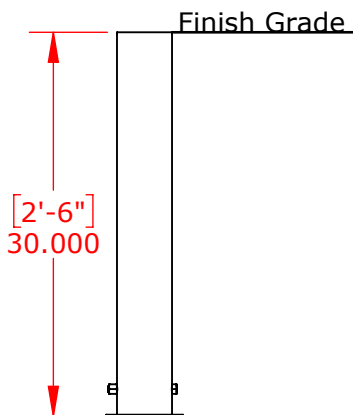
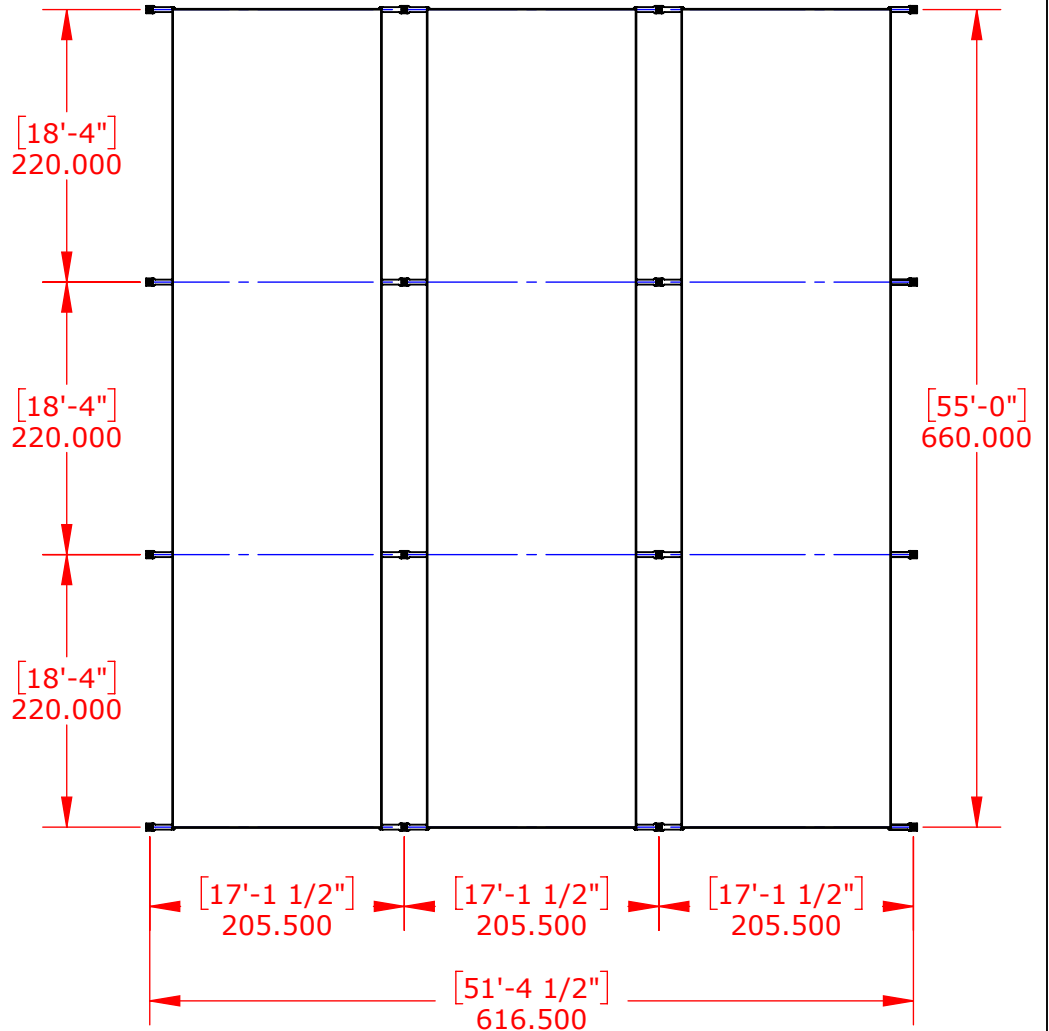
For foundation requirements please refer to contract documents and/or local codes/conditions



Stop bolt/alignment notches must be installed in correct position to allow for proper orientation of upright pole

Legend:

Alignment Notch Direction



PROPRIETARY AND CONFIDENTIAL

THE INFORMATION CONTAINED IN THIS DRAWING IS THE SOLE PROPERTY OF SPORTSFIELD SPECIALTIES INC. ANY REPRODUCTION IN PART OR AS A WHOLE WITHOUT THE WRITTEN PERMISSION OF SPORTSFIELD SPECIALTIES INC. IS PROHIBITED.

BTOST Ground Sleeve Overhead Batting Tunnel Triple Softball Ground Sleeve Layout

Not To Scale

Sportsfield Specialties Inc 105560.1-221209

CUSTOM SIZES AND DESIGNS
 AVAILABLE UPON REQUEST

12" x 12" x 1/2" ALUMINUM BASE PLATE
 WITH WELDED REINFORCEMENT GUSSETS
 AND 1/2" x 5-1/2"L EXPANSION ANCHORS

FIXED NET STABILIZER
 EXTENSION ARM,
 3/8" PLATE STEEL

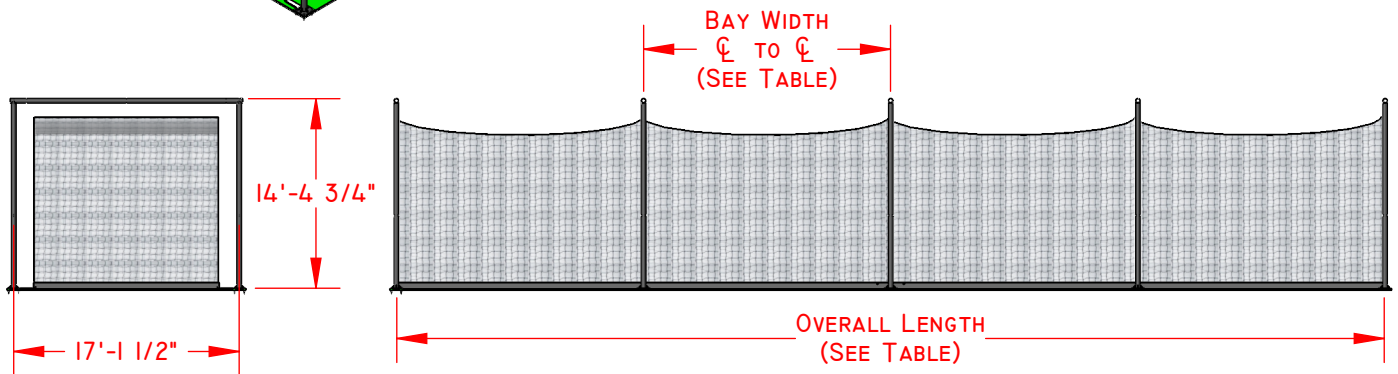
3-1/2" SCHEDULE 40 ALUMINUM
 (4" OD) PIPE UPRIGHT

STANDARD BLACK POWDER COATED FINISH
 BTOBSPL SHOWN

4" OD X 1/8" WALL
 ALUMINUM TUBE CROSSBAR

FINISH GRADE

13'H X 14'W BATTING TUNNEL NET,
 #36 BLACK NYLON 1-3/4" SQUARE MESH NET
 WITH FACTORY-SEWN WEIGHTED ROPE BOTTOM AND
 TWO (2) 4'W X 13'H OPENINGS WITH
 CURTAIN STYLE EXTERIOR OVERLAP FLAPS



FOUNDATION REQUIREMENTS
 VARY BASED ON LOCAL
 CODES AND SOIL CONDITIONS

SPORTSFIELD SPECIALTIES, INC. STRONGLY RECOMMENDS THE REMOVAL OF ALL NETS PRIOR TO EXPOSURE TO WINTER WEATHER, INCLUDING SNOW AND/OR ICE STORMS. WHENEVER POSSIBLE, THE NETS SHOULD ALSO BE LOWERED PRIOR TO ANY EXTREME WIND EVENTS. REMOVAL/LOWERING OF THE NETS WILL MITIGATE ANY UNFORESEEN DAMAGE TO THE POLES, NETS AND/OR ATTACHMENT HARDWARE. STORING NETS IN A DRY, PEST FREE LOCATION WILL HELP EXTEND THE LIFE OF THE NETS. SPORTSFIELD SPECIALTIES, INC. WILL NOT BE HELD LIABLE OR ASSUME RESPONSIBILITY FOR ANY DAMAGE TO THE NETS, POLES AND/OR CORRESPONDING ATTACHMENT HARDWARE IF THE NETS ARE NOT REMOVED/LOWERING PRIOR TO THE ABOVE DESCRIBED WIND AND/OR WEATHER EVENTS.

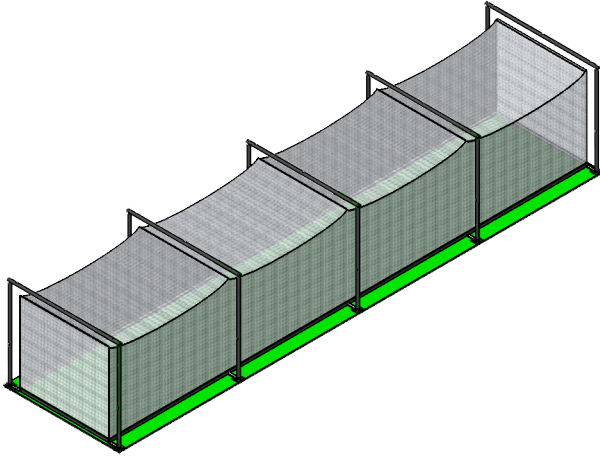
PROPRIETARY AND CONFIDENTIAL

THE INFORMATION CONTAINED IN THIS DRAWING IS THE SOLE PROPERTY OF SPORTSFIELD SPECIALTIES INC. ANY REPRODUCTION IN PART OR AS A WHOLE WITHOUT THE WRITTEN PERMISSION OF SPORTSFIELD SPECIALTIES INC. IS PROHIBITED.

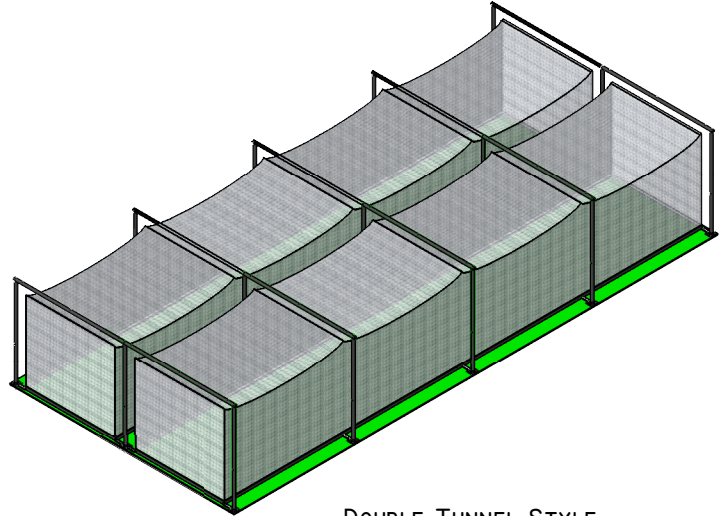
Plate Mount Overhead Batting Tunnel

Not To Scale

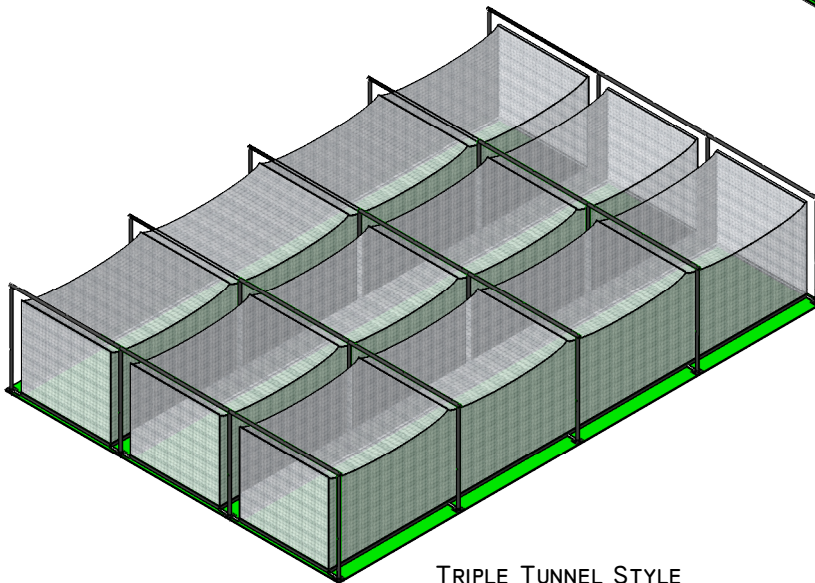
Sportsfield Specialties Inc 08232023



SINGLE TUNNEL STYLE



DOUBLE TUNNEL STYLE



TRIPLE TUNNEL STYLE

BASEBALL TUNNELS SHOWN

MODEL	SPORT	STYLE	OVERALL LENGTH	BAY WIDTH
BTOBSPL	BASEBALL	SINGLE	75'	(4) @ 18'-9"
BTOBDPL	BASEBALL	DOUBLE		
BTOBTPL	BASEBALL	TRIPLE		
BTOSSPL	SOFTBALL	SINGLE	55'	(3) @ 18'-4"
BTOSDPL	SOFTBALL	DOUBLE		
BTOSTPL	SOFTBALL	TRIPLE		

PROPRIETARY AND CONFIDENTIAL

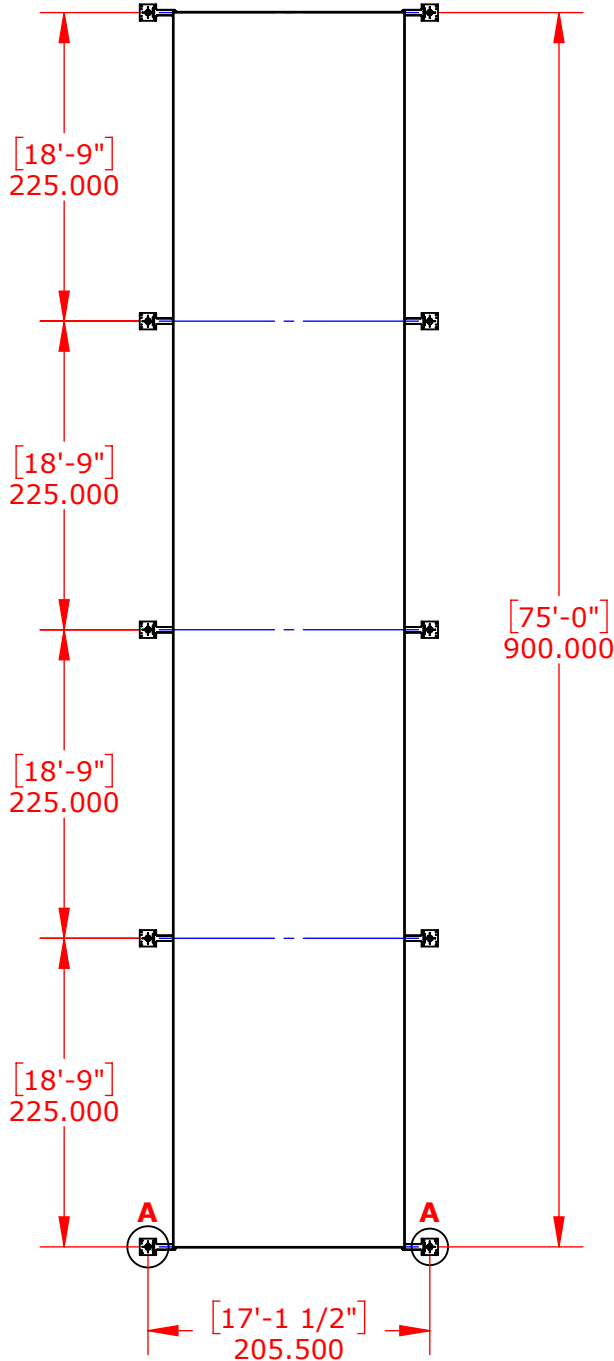
THE INFORMATION CONTAINED IN THIS DRAWING IS THE SOLE PROPERTY OF SPORTSFIELD SPECIALTIES INC. ANY REPRODUCTION IN PART OR AS A WHOLE WITHOUT THE WRITTEN PERMISSION OF SPORTSFIELD SPECIALTIES INC. IS PROHIBITED.

Plate Mount Overhead Batting Tunnel

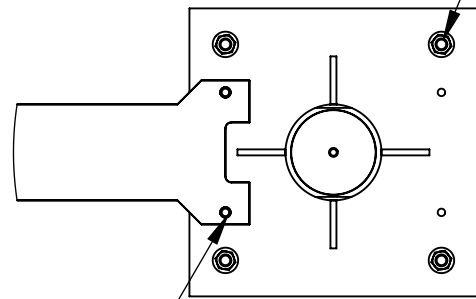
Not To Scale

Sportsfield Specialties Inc 08232023

Note: All measurements are center-to-center of pole



1/2" X 5 1/2"
Galvanized Wedge Anchor
w/ Hex Nut and Flat Washer



Location A

Orient uprights with extension arm mounting holes facing the netting. Only the inside set of mounting holes will be used.

Foundation requirements vary based on local codes and soil conditions

PROPRIETARY AND CONFIDENTIAL

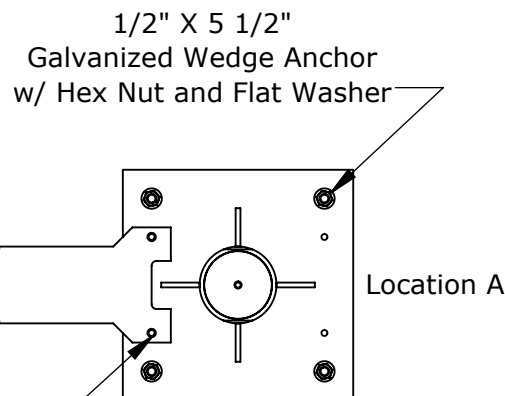
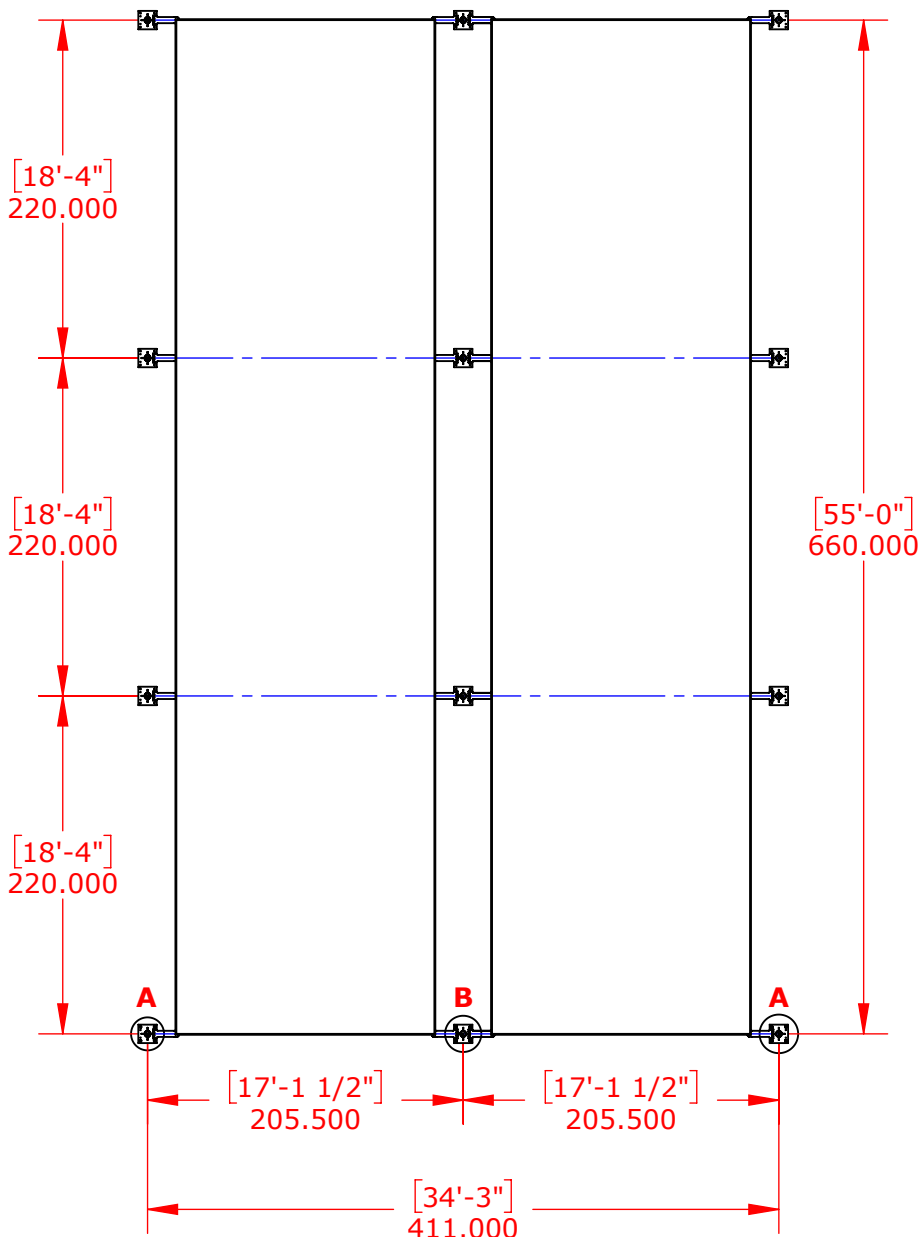
THE INFORMATION CONTAINED IN THIS DRAWING IS THE SOLE PROPERTY OF SPORTSFIELD SPECIALTIES INC. ANY REPRODUCTION IN PART OR AS A WHOLE WITHOUT THE WRITTEN PERMISSION OF SPORTSFIELD SPECIALTIES INC. IS PROHIBITED.

Plate Mount Overhead Batting Tunnel Single Baseball Pole Layout

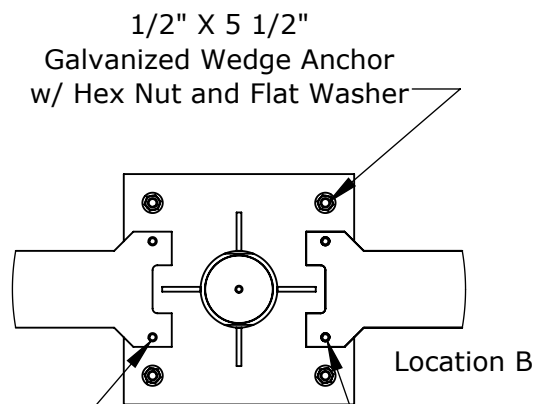
Not To Scale

Sportsfield Specialties Inc 07102020

Note: All measurements are center-to-center of pole



— Orient uprights with extension arm mounting holes facing the netting. Uprights in end rows will only use the inside set of mounting holes.



— Orient uprights with extension arm mounting holes facing the netting. Uprights in center row will use both sets of mounting holes.

Foundation requirements vary based on local codes and soil conditions

PROPRIETARY AND CONFIDENTIAL

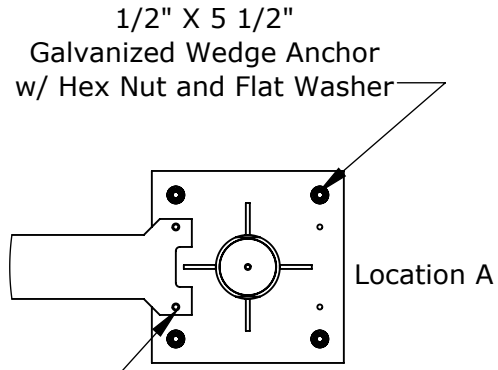
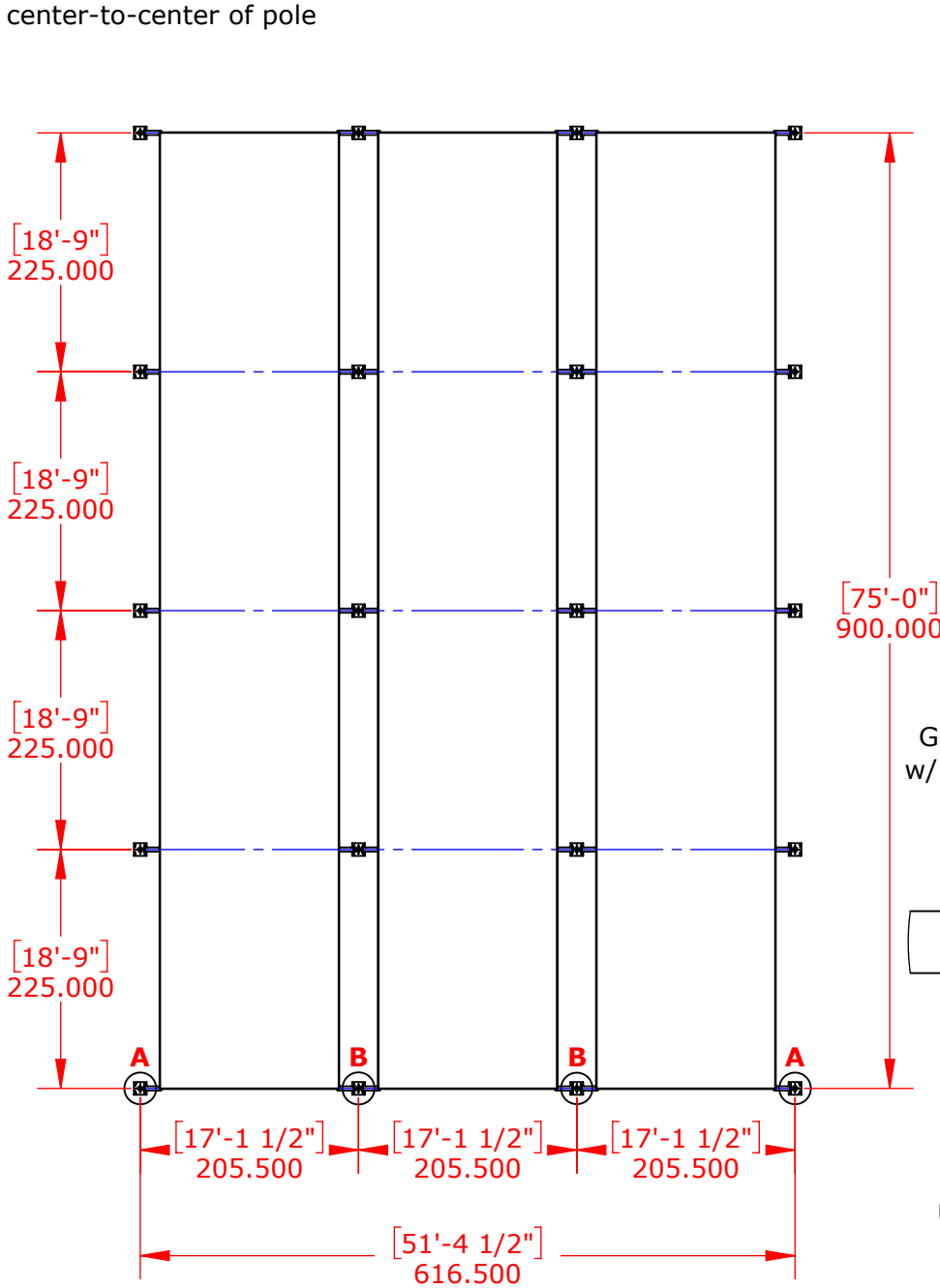
THE INFORMATION CONTAINED IN THIS DRAWING IS THE SOLE PROPERTY OF SPORTSFIELD SPECIALTIES INC. ANY REPRODUCTION IN PART OR AS A WHOLE WITHOUT THE WRITTEN PERMISSION OF SPORTSFIELD SPECIALTIES INC. IS PROHIBITED.

Plate Mount Overhead Batting Tunnel Double Softball Pole Layout

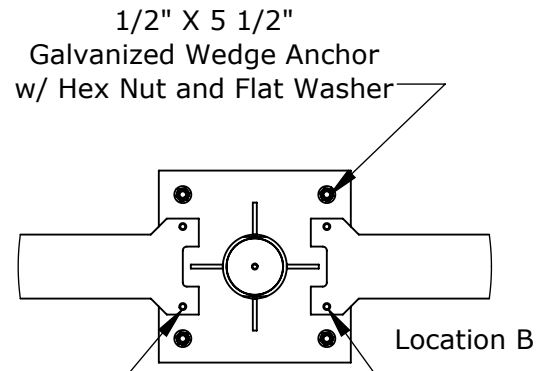
Not To Scale

Sportsfield Specialties Inc 07102020

Note: All measurements are center-to-center of pole



Orient uprights with extension arm mounting holes facing the netting. Uprights in end rows will only use the inside set of mounting holes.



Orient uprights with extension arm mounting holes facing the netting. Uprights in center rows will use both sets of mounting holes.

Foundation requirements vary based on local codes and soil conditions

PROPRIETARY AND CONFIDENTIAL

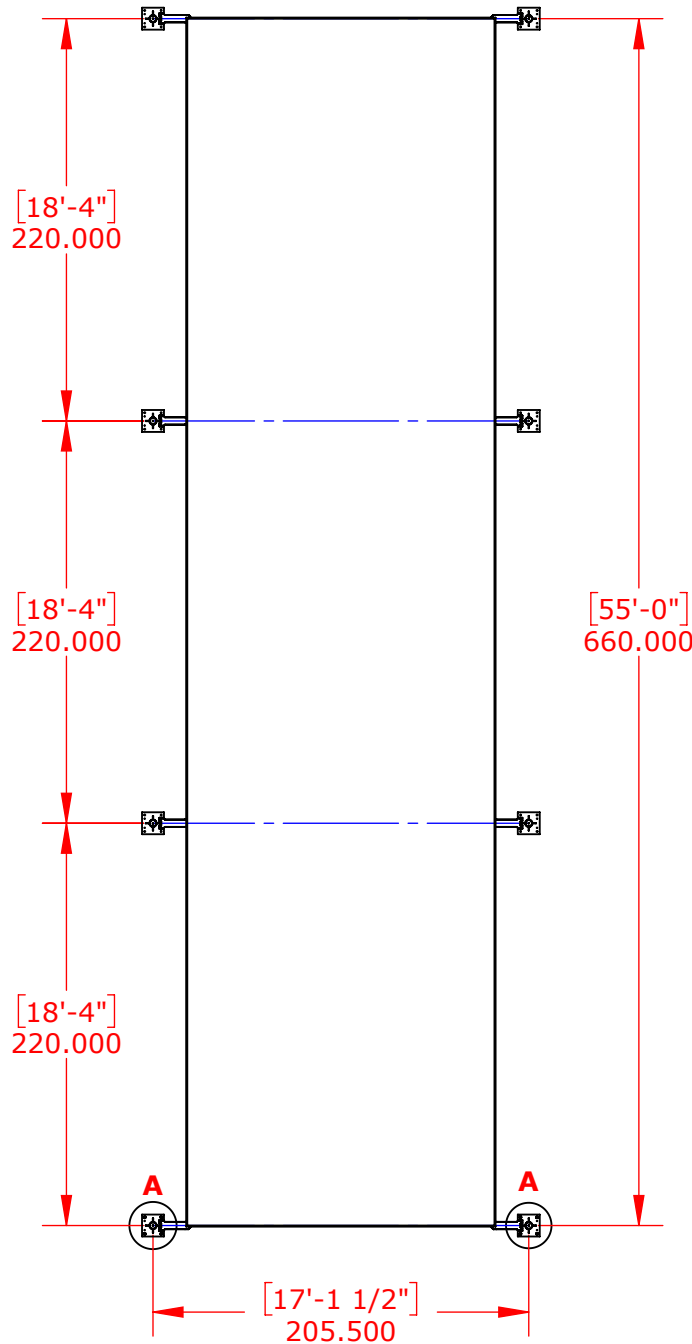
THE INFORMATION CONTAINED IN THIS DRAWING IS THE SOLE PROPERTY OF SPORTSFIELD SPECIALTIES INC. ANY REPRODUCTION IN PART OR AS A WHOLE WITHOUT THE WRITTEN PERMISSION OF SPORTSFIELD SPECIALTIES INC. IS PROHIBITED.

Plate Mount Overhead Batting Tunnel Triple Baseball Pole Layout

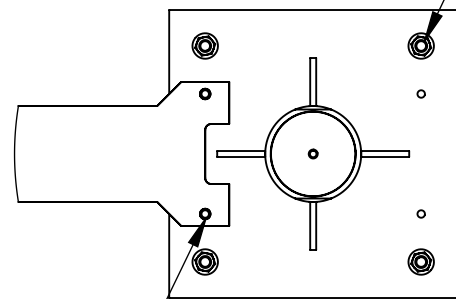
Not To Scale

Sportsfield Specialties Inc 07102020

Note: All measurements are center-to-center of pole



1/2" X 5 1/2"
 Galvanized Wedge Anchor
 w/ Hex Nut and Flat Washer



Location A

— Orient uprights with extension arm mounting holes facing the netting.
 Only the inside set of mounting holes will be used.

Foundation requirements vary based on local codes and soil conditions

PROPRIETARY AND CONFIDENTIAL

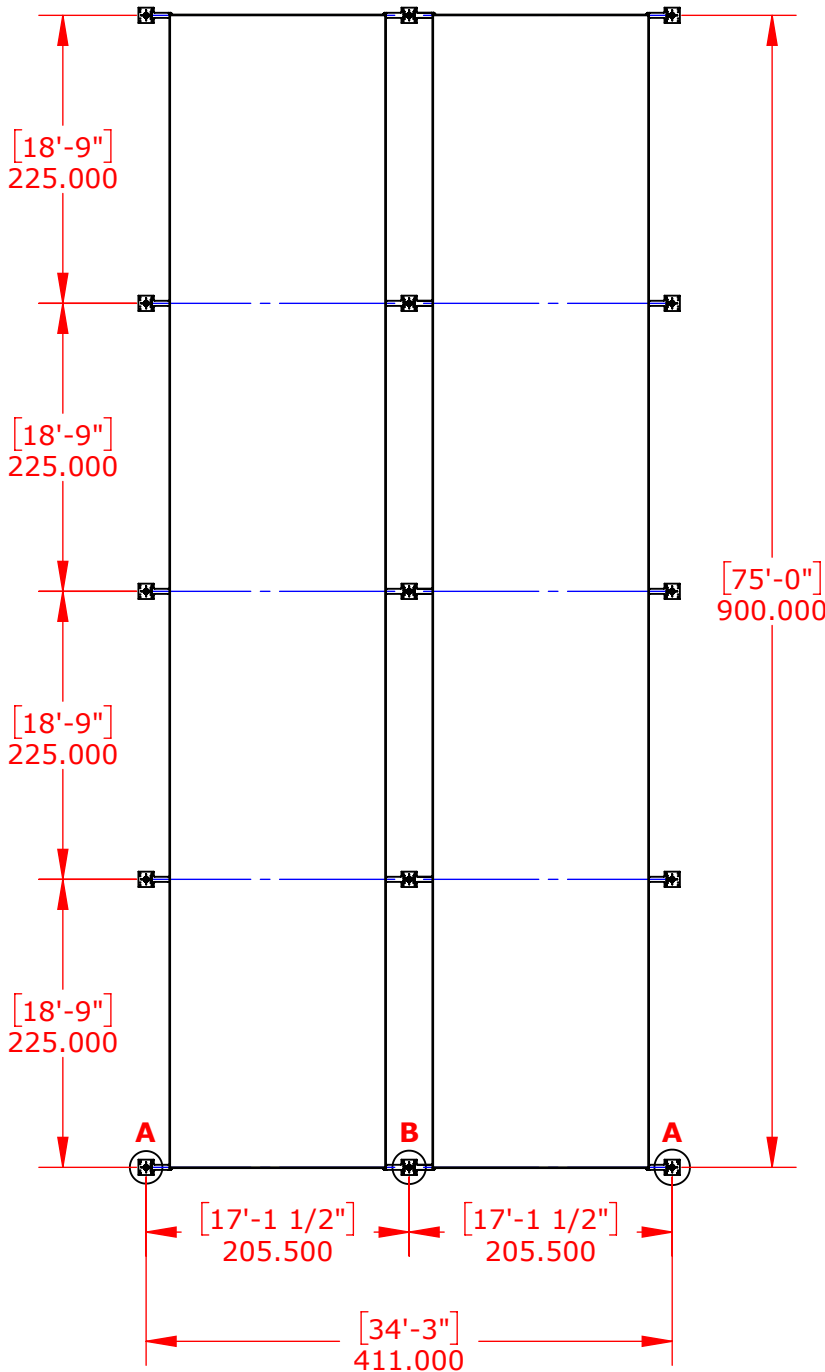
THE INFORMATION CONTAINED IN THIS DRAWING IS THE SOLE PROPERTY OF SPORTSFIELD SPECIALTIES INC. ANY REPRODUCTION IN PART OR AS A WHOLE WITHOUT THE WRITTEN PERMISSION OF SPORTSFIELD SPECIALTIES INC. IS PROHIBITED.

**Plate Mount Overhead Batting Tunnel
 Single Softball Pole Layout**

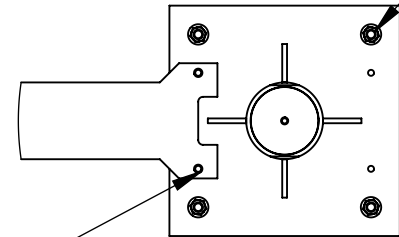
Not To Scale

Sportsfield Specialties Inc 07102020

Note: All measurements are center-to-center of pole



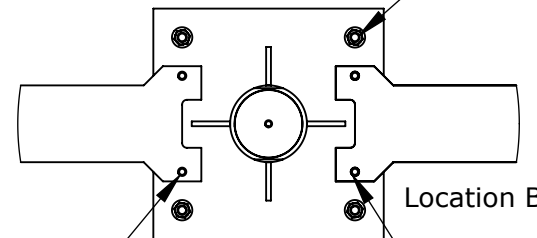
1/2" X 5 1/2"
Galvanized Wedge Anchor
w/ Hex Nut and Flat Washer



Location A

— Orient uprights with extension arm mounting holes facing the netting. Uprights in end rows will only use the inside set of mounting holes.

1/2" X 5 1/2"
Galvanized Wedge Anchor
w/ Hex Nut and Flat Washer



Location B

— Orient uprights with extension arm mounting holes facing the netting. Uprights in center row will use with both sets of mounting holes.

Foundation requirements vary based on local codes and soil conditions

PROPRIETARY AND CONFIDENTIAL

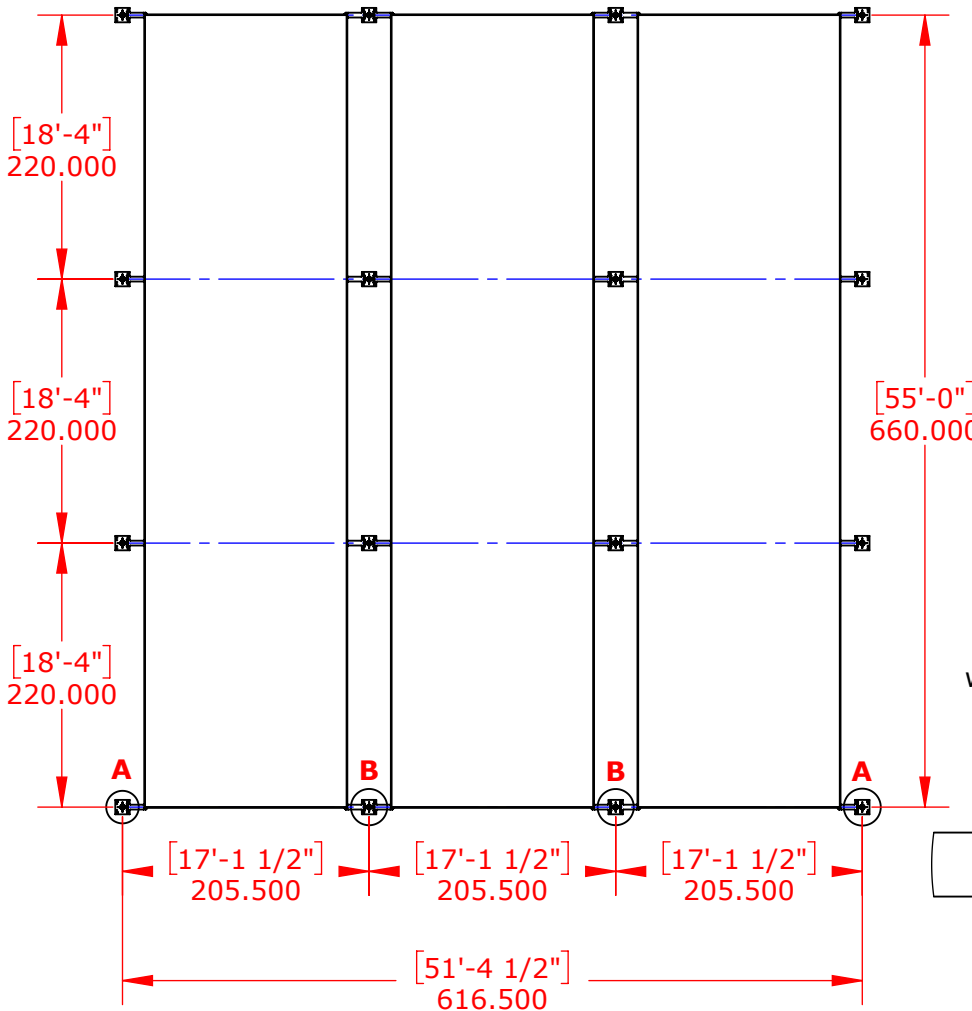
THE INFORMATION CONTAINED IN THIS DRAWING IS THE SOLE PROPERTY OF SPORTSFIELD SPECIALTIES INC. ANY REPRODUCTION IN PART OR AS A WHOLE WITHOUT THE WRITTEN PERMISSION OF SPORTSFIELD SPECIALTIES INC. IS PROHIBITED.

Plate Mount Overhead Batting Tunnel Double Baseball Pole Layout

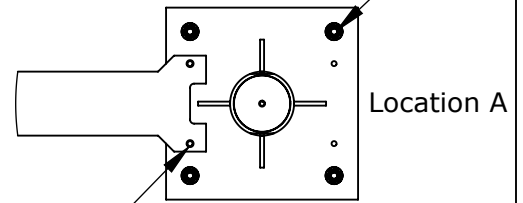
Not To Scale

Sportsfield Specialties Inc 07102020

Note: All measurements are center-to-center of pole

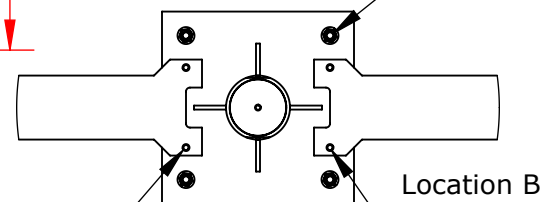


1/2" X 5 1/2"
Galvanized Wedge Anchor
w/ Hex Nut and Flat Washer



Orient uprights with extension arm mounting holes facing the netting. Uprights in end rows will only use the inside set of mounting holes.

1/2" X 5 1/2"
Galvanized Wedge Anchor
w/ Hex Nut and Flat Washer



Orient uprights with extension arm mounting holes facing the netting. Uprights in center rows will use both sets of mounting holes.

Foundation requirements vary based on local codes and soil conditions

PROPRIETARY AND CONFIDENTIAL

THE INFORMATION CONTAINED IN THIS DRAWING IS THE SOLE PROPERTY OF SPORTSFIELD SPECIALTIES INC. ANY REPRODUCTION IN PART OR AS A WHOLE WITHOUT THE WRITTEN PERMISSION OF SPORTSFIELD SPECIALTIES INC. IS PROHIBITED.

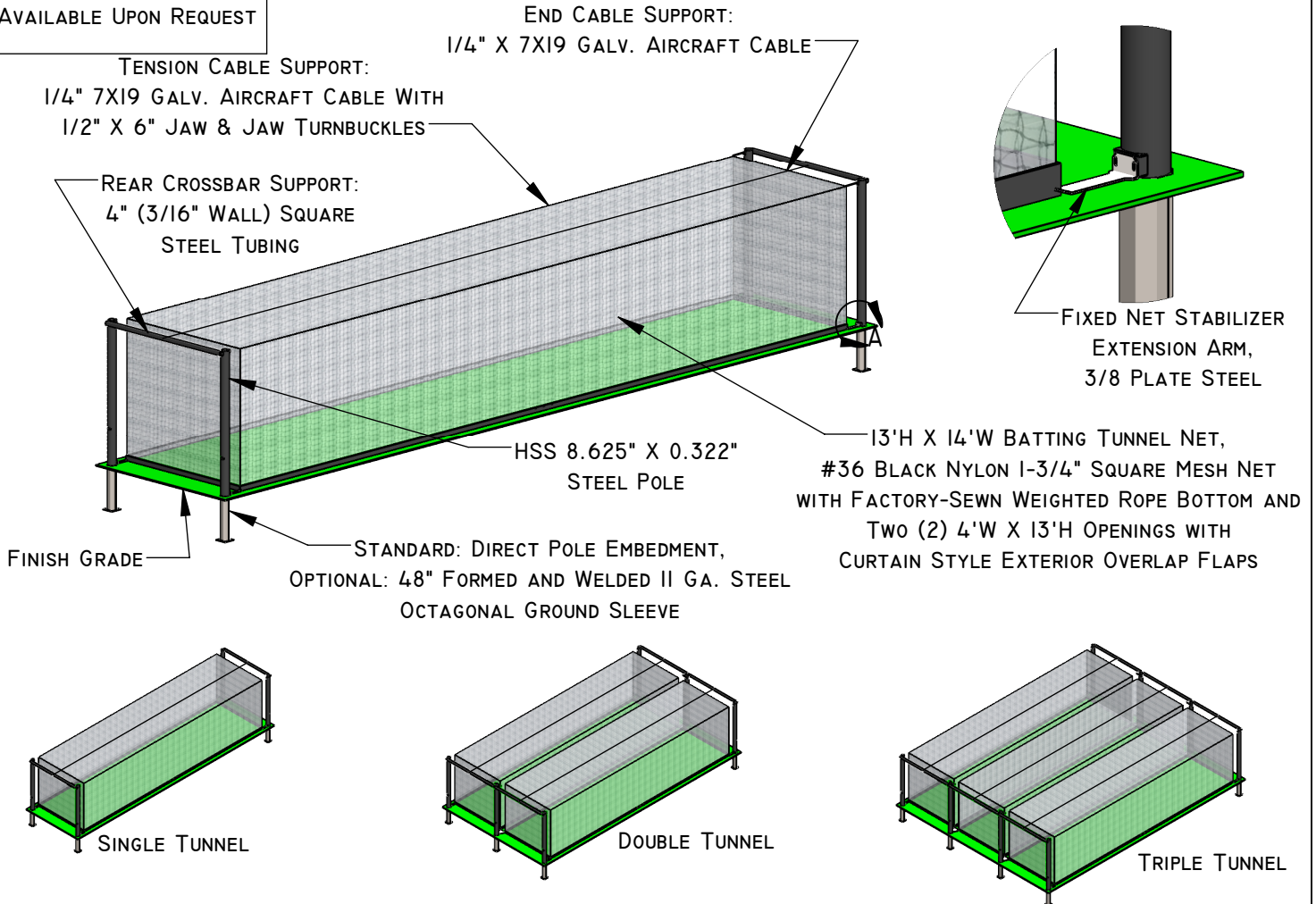
Plate Mount Overhead Batting Tunnel Triple Softball Pole Layout

Not To Scale

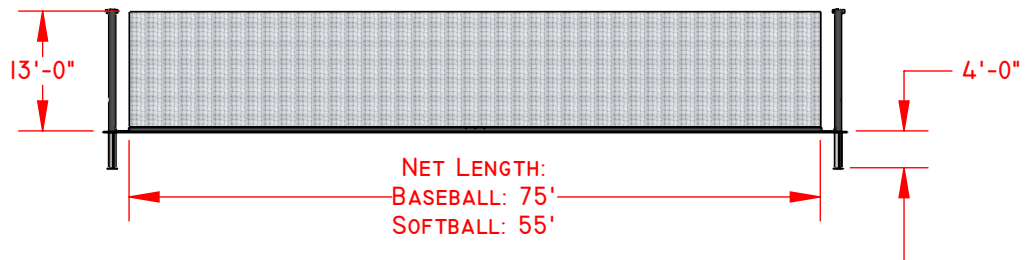
Sportsfield Specialties Inc 07102020

CUSTOM SIZES AND DESIGNS
AVAILABLE UPON REQUEST

STANDARD BLACK POWDER COATED FINISH



MODEL	SPORT	TYPE
BTBBS	BASEBALL	SINGLE
BTTBD		DOUBLE
BTTBT		TRIPLE
BTTSS	SOFTBALL	SINGLE
BTTSD		DOUBLE
BTTST		TRIPLE



FOUNDATION REQUIREMENTS
VARY BASED ON LOCAL
CODES AND SOIL CONDITIONS

SPORTSFIELD SPECIALTIES, INC. STRONGLY RECOMMENDS THE REMOVAL OF ALL NETS PRIOR TO EXPOSURE TO WINTER WEATHER, INCLUDING SNOW AND/OR ICE STORMS. WHENEVER POSSIBLE, THE NETS SHOULD ALSO BE LOWERED PRIOR TO ANY EXTREME WIND EVENTS. REMOVAL/LOWERING OF THE NETS WILL MITIGATE ANY UNFORESEEN DAMAGE TO THE POLES, NETS AND/OR ATTACHMENT HARDWARE. STORING NETS IN A DRY, PEST FREE LOCATION WILL HELP EXTEND THE LIFE OF THE NETS. SPORTSFIELD SPECIALTIES, INC. WILL NOT BE HELD LIABLE OR ASSUME RESPONSIBILITY FOR ANY DAMAGE TO THE NETS, POLES AND/OR CORRESPONDING ATTACHMENT HARDWARE IF THE NETS ARE NOT REMOVED/LOWERING PRIOR TO THE ABOVE DESCRIBED WIND AND/OR WEATHER EVENTS.

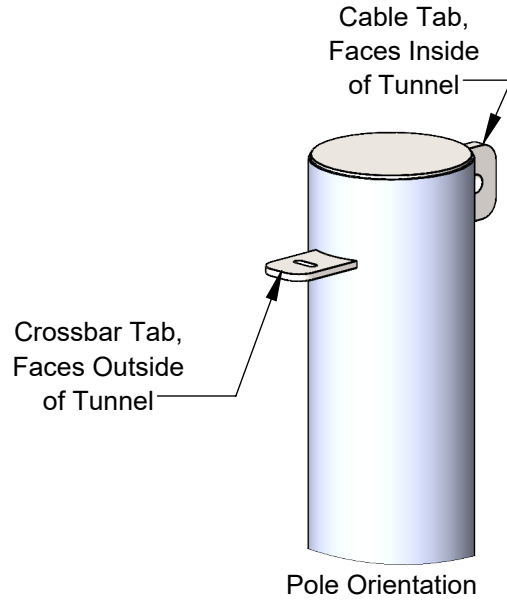
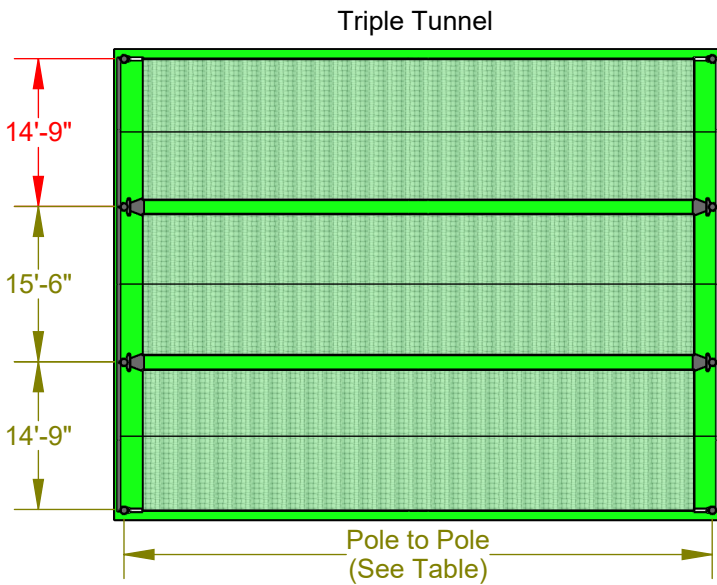
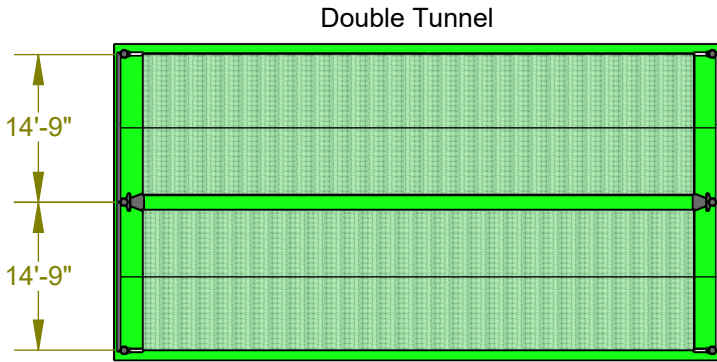
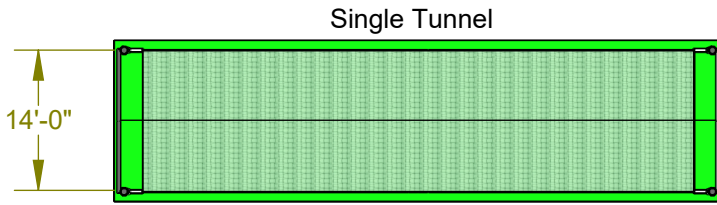
PROPRIETARY AND CONFIDENTIAL

THE INFORMATION CONTAINED IN THIS DRAWING IS THE SOLE PROPERTY OF SPORTSFIELD SPECIALTIES INC. ANY REPRODUCTION IN PART OR AS A WHOLE WITHOUT THE WRITTEN PERMISSION OF SPORTSFIELD SPECIALTIES INC. IS PROHIBITED.

Not To Scale

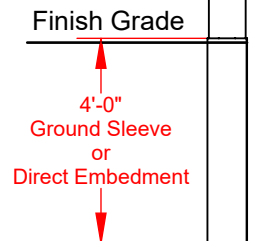
Tension Batting Tunnel

Sportsfield Specialties Inc 09222023



Note: All measurements are center-to-center of ground sleeve/pole

Model	Sport	Type	Net Length	Pole to Pole
BTTBS	Baseball	Single	75'	78'-8 5/8"
BTTBD		Double		
BTTBT		Triple		
BTTSS	Softball	Single	55'	58'-8 5/8"
BTTSD		Double		
BTTST		Triple		



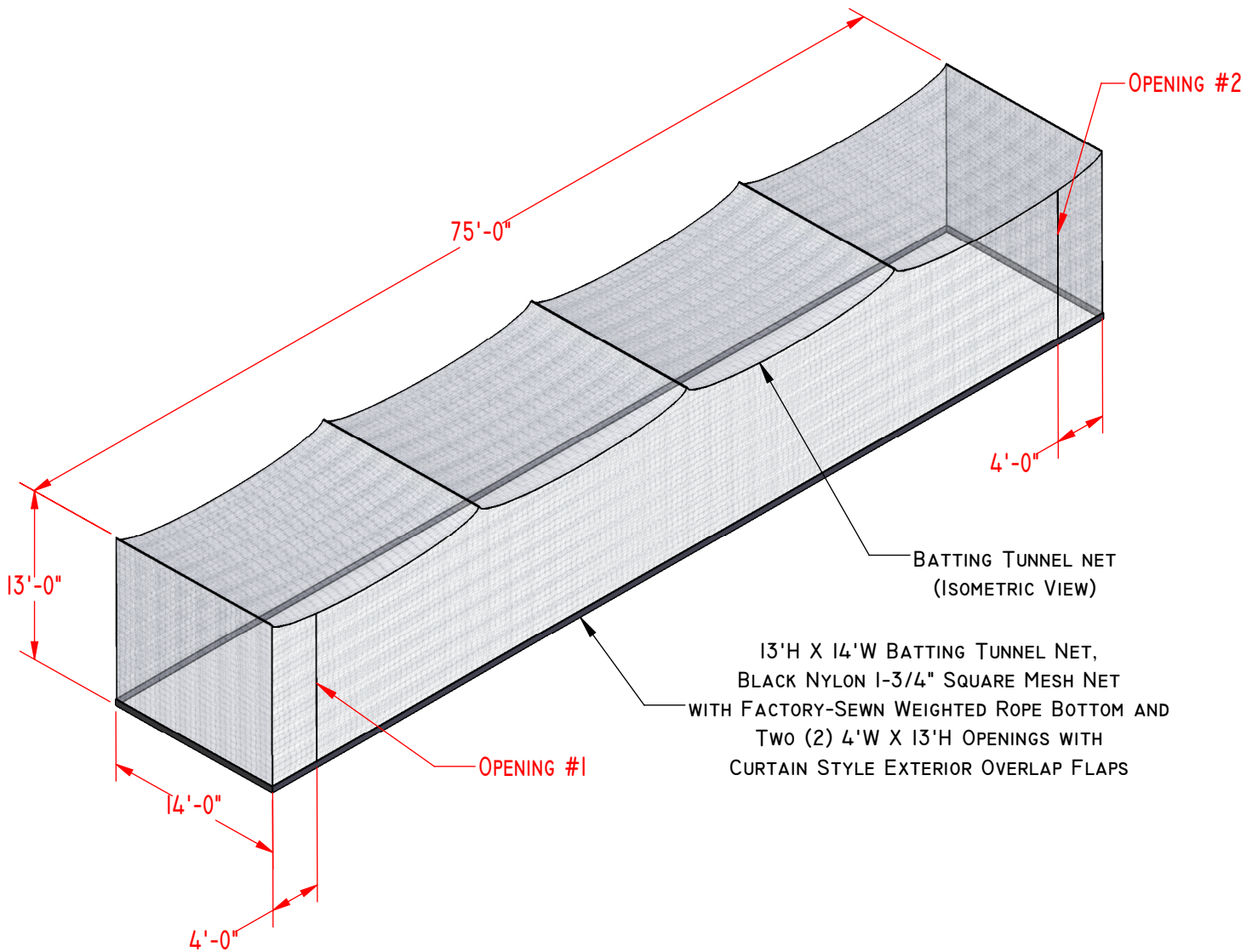
PROPRIETARY AND CONFIDENTIAL

THE INFORMATION CONTAINED IN THIS DRAWING IS THE SOLE PROPERTY OF SPORTSFIELD SPECIALTIES INC. ANY REPRODUCTION IN PART OR AS A WHOLE WITHOUT THE WRITTEN PERMISSION OF SPORTSFIELD SPECIALTIES INC. IS PROHIBITED.

Tension Batting Tunnel Pole and Ground Sleeve Layout

Not To Scale

Sportsfield Specialties Inc 105753.1-221220



Part No	Net Material
BTNB36L	#36 Nylon
BTNB60L	#60 Nylon

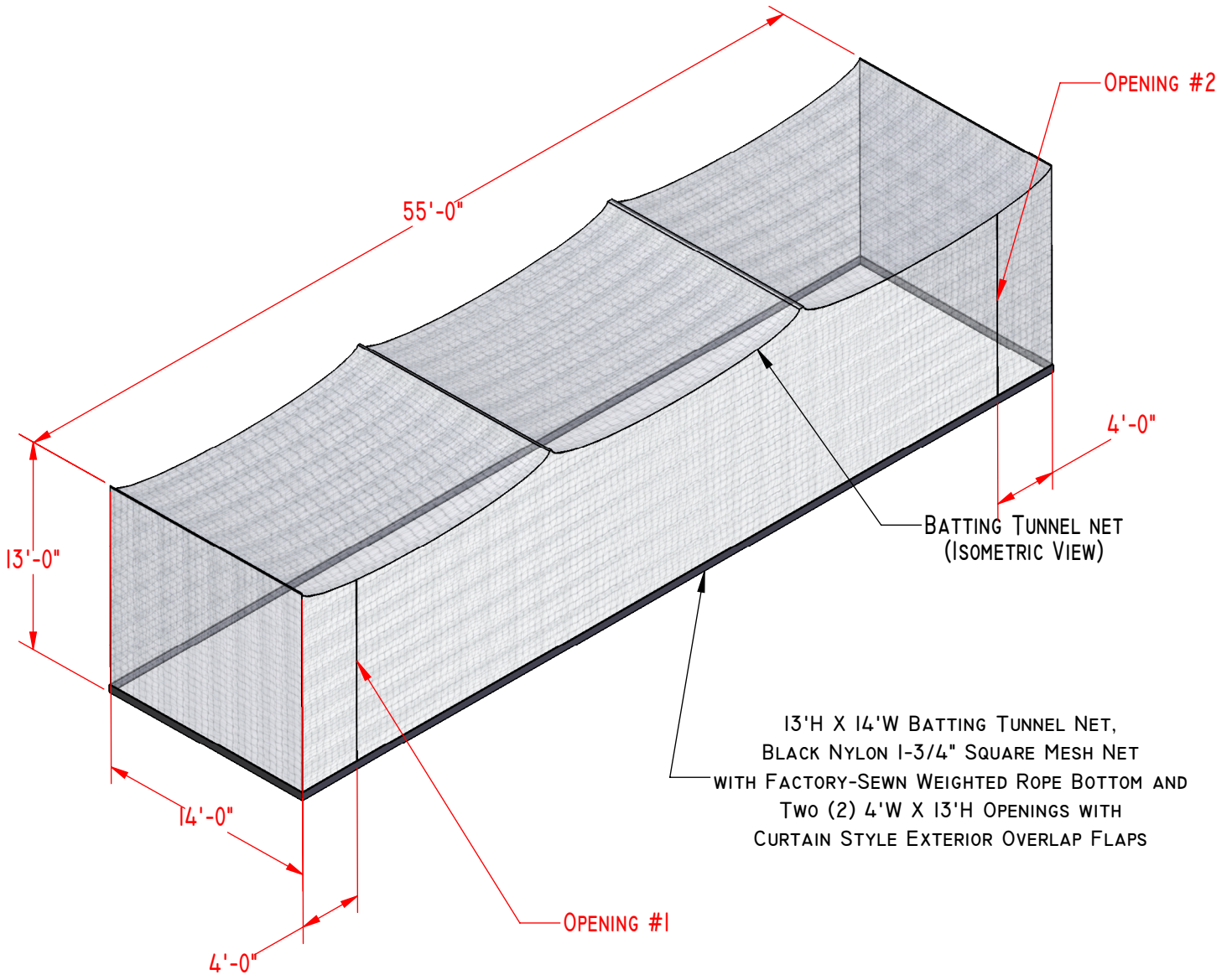
PROPRIETARY AND CONFIDENTIAL

THE INFORMATION CONTAINED IN THIS DRAWING IS THE SOLE PROPERTY OF SPORTSFIELD SPECIALTIES INC. ANY REPRODUCTION IN PART OR AS A WHOLE WITHOUT THE WRITTEN PERMISSION OF SPORTSFIELD SPECIALTIES INC. IS PROHIBITED.

Baseball Batting Tunnel Nets

Not To Scale

Sportsfield Specialties Inc 105754.1-230906



Part No	Net Material
BTNS36L	#36 Nylon
BTNS60L	#60 Nylon

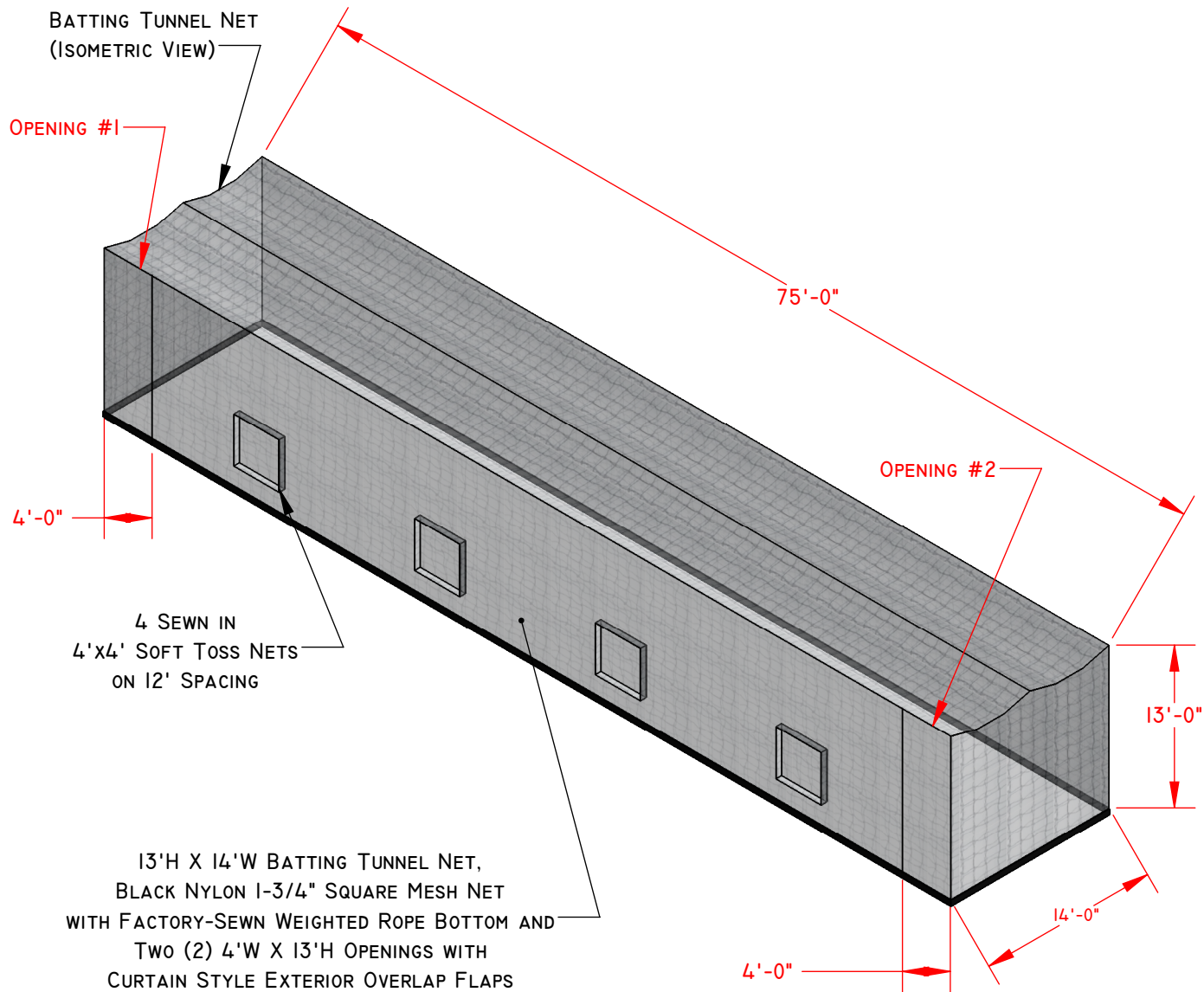
PROPRIETARY AND CONFIDENTIAL

THE INFORMATION CONTAINED IN THIS DRAWING IS THE SOLE PROPERTY OF SPORTSFIELD SPECIALTIES INC. ANY REPRODUCTION IN PART OR AS A WHOLE WITHOUT THE WRITTEN PERMISSION OF SPORTSFIELD SPECIALTIES INC. IS PROHIBITED.

Softball Batting Tunnel Nets

Not To Scale

Sportsfield Specialties Inc 105755.1-230906



Part No	Net Material
BTNBST36L	#36 Nylon
BTNBST60L	#60 Nylon

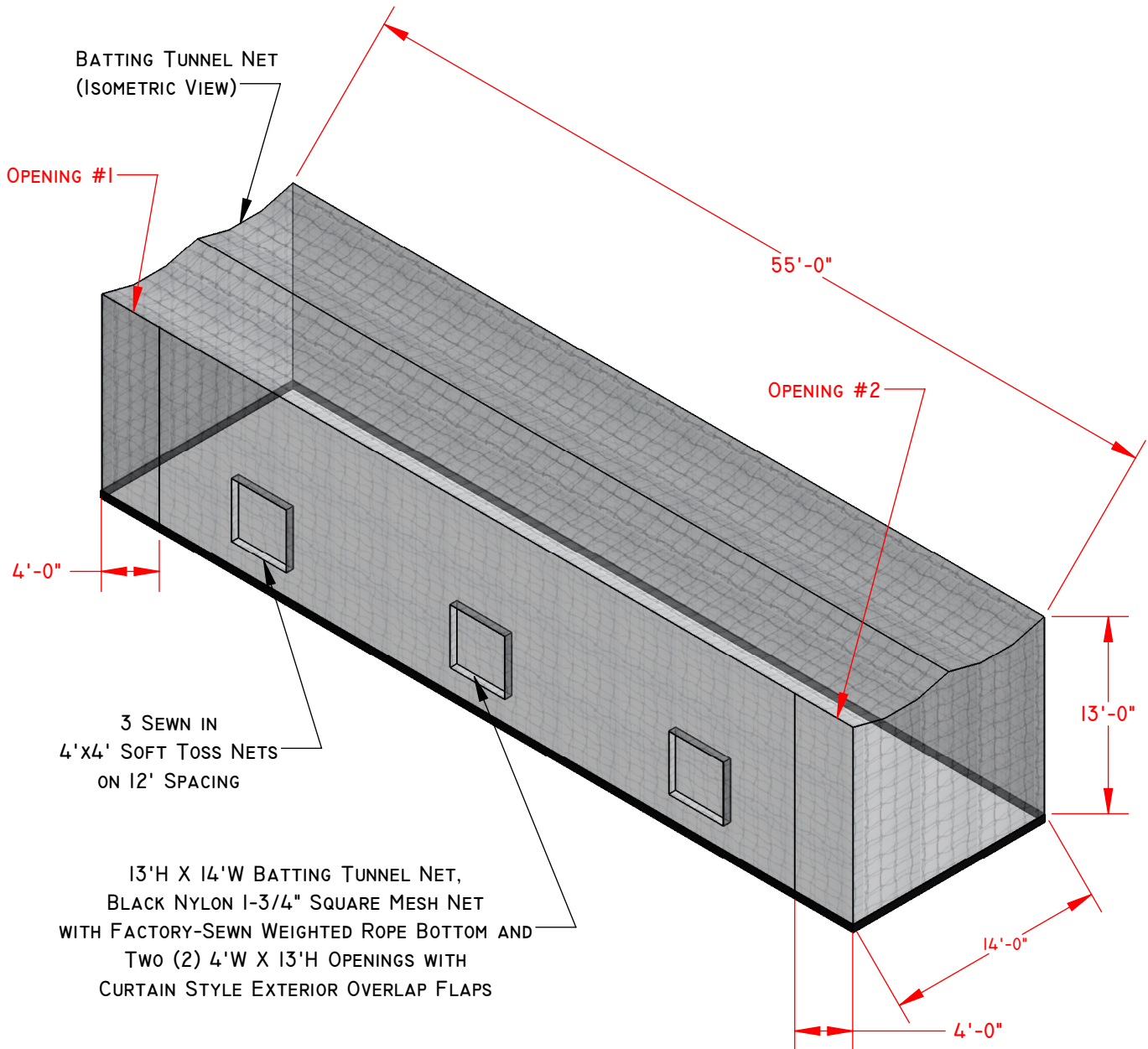
PROPRIETARY AND CONFIDENTIAL

THE INFORMATION CONTAINED IN THIS DRAWING IS THE SOLE PROPERTY OF SPORTSFIELD SPECIALTIES INC. ANY REPRODUCTION IN PART OR AS A WHOLE WITHOUT THE WRITTEN PERMISSION OF SPORTSFIELD SPECIALTIES INC. IS PROHIBITED.

Baseball Batting Tunnel Net with 4 Soft Toss Stations

Not To Scale

Sportsfield Specialties Inc 105756.1-230906



3 SEWN IN
 4'x4' SOFT TOSS NETS
 ON 12' SPACING

13'H X 14'W BATTING TUNNEL NET,
 BLACK NYLON 1-3/4" SQUARE MESH NET
 WITH FACTORY-SEWN WEIGHTED ROPE BOTTOM AND
 TWO (2) 4'W X 13'H OPENINGS WITH
 CURTAIN STYLE EXTERIOR OVERLAP FLAPS

Part No	Net Material
BTNSST36L	#36 Nylon
BTNSST60L	#60 Nylon

PROPRIETARY AND CONFIDENTIAL
 THE INFORMATION CONTAINED IN THIS DRAWING IS THE SOLE PROPERTY OF SPORTSFIELD SPECIALTIES INC. ANY REPRODUCTION IN PART OR AS A WHOLE WITHOUT THE WRITTEN PERMISSION OF SPORTSFIELD SPECIALTIES INC. IS PROHIBITED.

Softball Batting Tunnel Net with 3 Soft Toss Stations

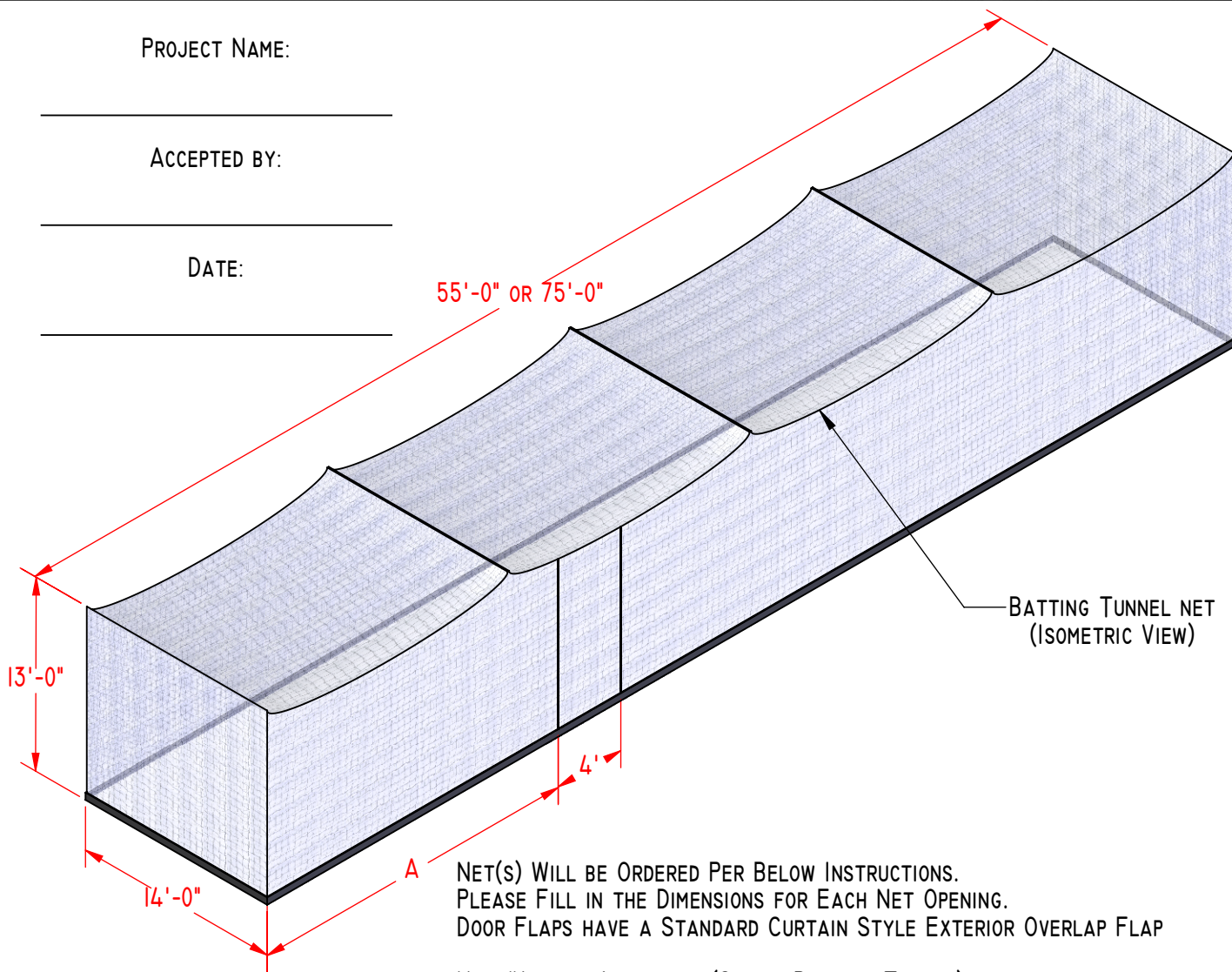
Not To Scale

Sportsfield Specialties Inc 105757.1-230906

PROJECT NAME:

ACCEPTED BY:

DATE:



NET(S) WILL BE ORDERED PER BELOW INSTRUCTIONS.
PLEASE FILL IN THE DIMENSIONS FOR EACH NET OPENING.
DOOR FLAPS HAVE A STANDARD CURTAIN STYLE EXTERIOR OVERLAP FLAP

NET #1: A _____ (SINGLE BATTING TUNNEL)

NET #2: A _____ (DOUBLE BATTING TUNNEL)

NET #3: A _____ (TRIPLE BATTING TUNNEL)

IF AN ADDITIONAL NET OPENING IS DESIRED,
PLEASE MARK THE LOCATION ON THIS DRAWING AND THE DISTANCE FROM THE END.
IF FURTHER ASSISTANCE IS NEEDED, CONTACT YOUR
CUSTOMER SERVICE REPRESENTATIVE

PROPRIETARY AND CONFIDENTIAL

THE INFORMATION CONTAINED IN THIS DRAWING IS THE SOLE PROPERTY OF SPORTSFIELD SPECIALTIES INC. ANY REPRODUCTION IN PART OR AS A WHOLE WITHOUT THE WRITTEN PERMISSION OF SPORTSFIELD SPECIALTIES INC. IS PROHIBITED.

**CUSTOM BATTING TUNNEL
NET OPENING SELECTION FORM**

NOT TO SCALE

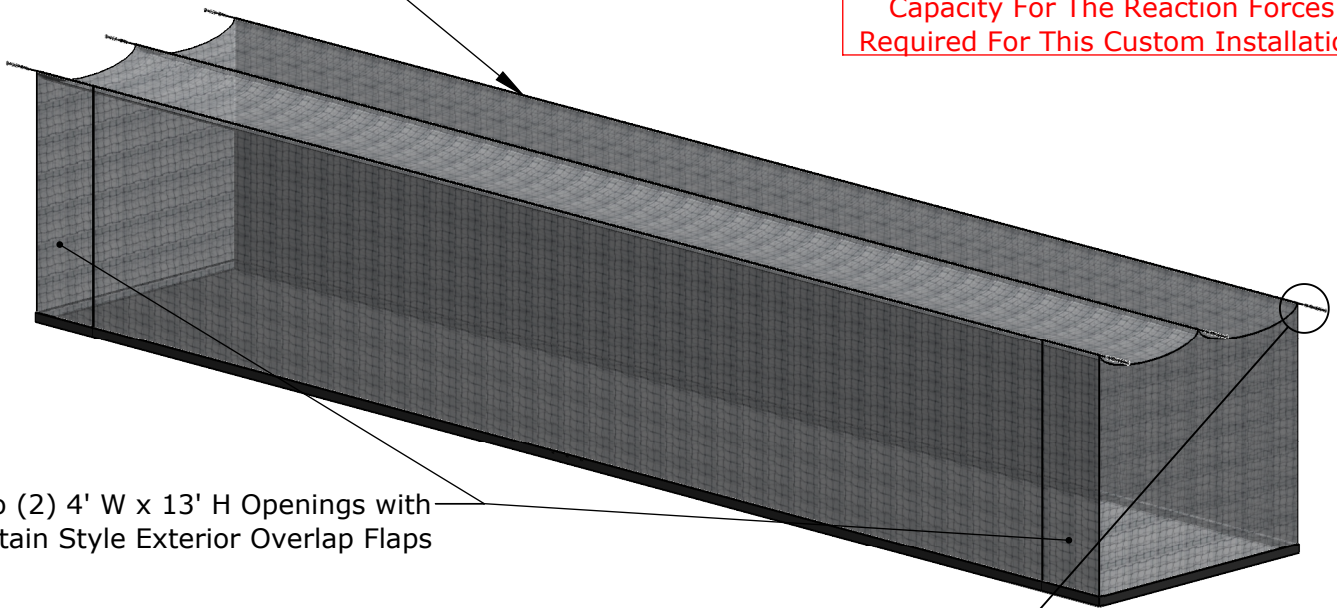
SPORTSFIELD SPECIALTIES INC 11292017

Custom Sizes and Designs Available Upon Request

Net Attaches to Cable with 3/16" Stainless Steel Spring Clips Every 12" O.C.

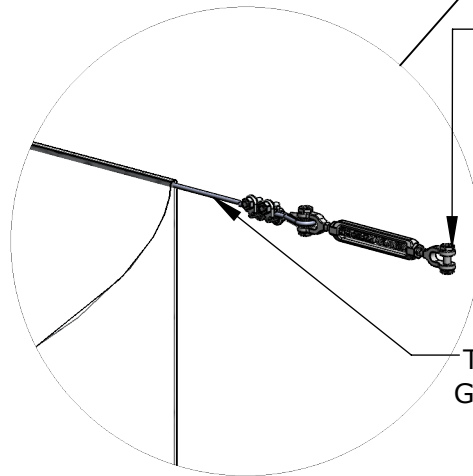
Standard Black Powder Coated Finish

The EOR Must Verify The Existing Structural Elements Have Adequate Capacity For The Reaction Forces Required For This Custom Installation



Two (2) 4' W x 13' H Openings with Curtain Style Exterior Overlap Flaps

Building Connections Will be Project Specific and Provided During Final Submissions



Tension Cable Support Using Galvanized Aircraft Cable and Hardware Assembly

For Fixed Tunnel:

13' H x 15' W Batting Tunnel Net, #60 Black Nylon 1-7/8" Square Mesh Net with Factory-Sewn Weighted Rope Bottom

For Retractable Tunnel:

13' H x 15' W Batting Tunnel Net, #60 Black Nylon 1-7/8" Square Mesh Net with 1' of Excess Net at Bottom to Reduce Deflection

Multiple Independent Tunnels Can Be Provided as Required

Note: 2' Minimum Clearance Recommended Between Net And Other Interior Surfaces/Objects

Part No.	Model	Tunnel Size
BTITB	Baseball	13' H x 15' W x 75' L
BTITS	Softball	13' H x 15' W x 55' L
BTIT-CUSTOM	Custom	Custom Size

PROPRIETARY AND CONFIDENTIAL

THE INFORMATION CONTAINED IN THIS DRAWING IS THE SOLE PROPERTY OF SPORTSFIELD SPECIALTIES INC. ANY REPRODUCTION IN PART OR AS A WHOLE WITHOUT THE WRITTEN PERMISSION OF SPORTSFIELD SPECIALTIES INC. IS PROHIBITED.

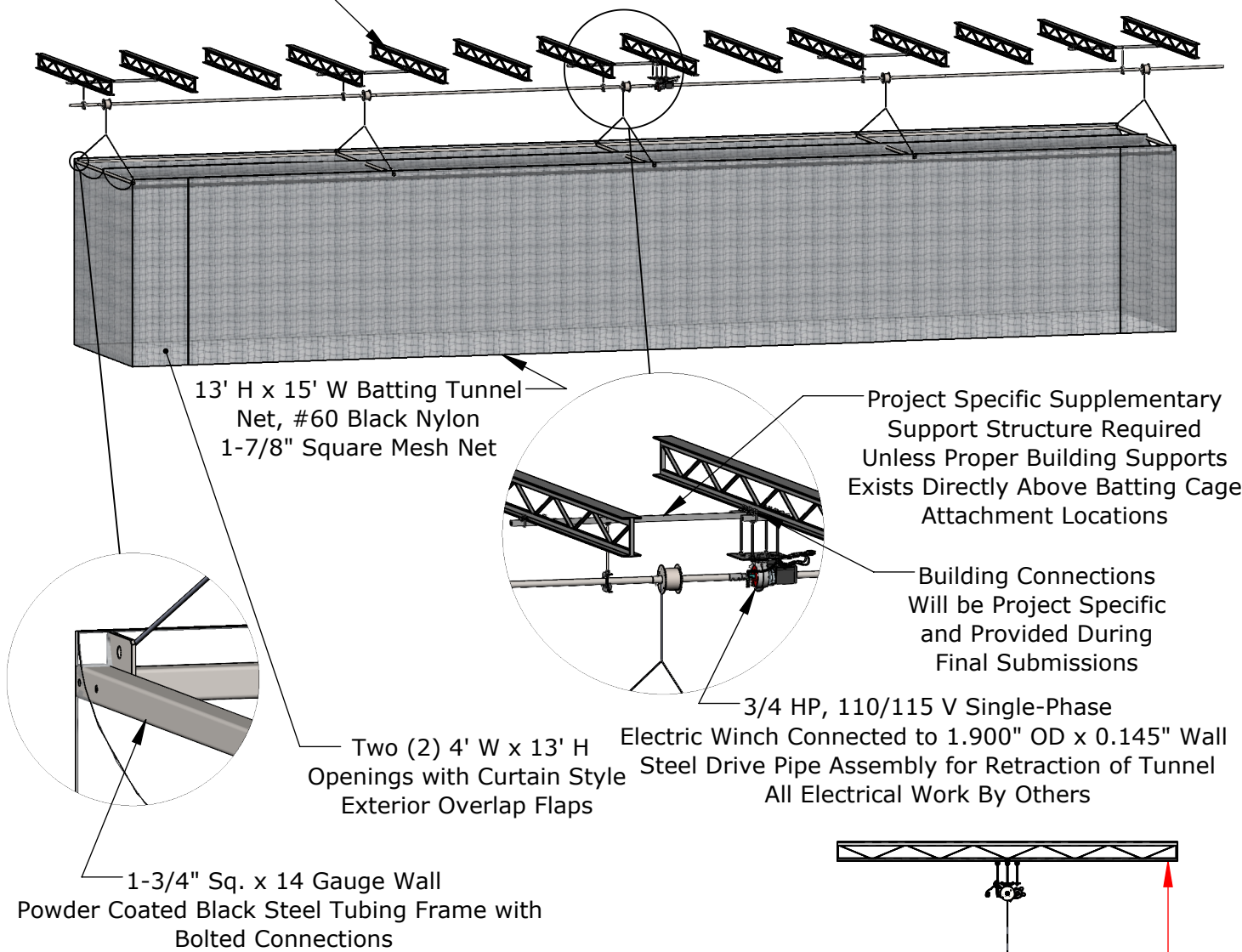
Indoor Tension Batting Tunnel

Not To Scale

Sportsfield Specialties Inc 09062023

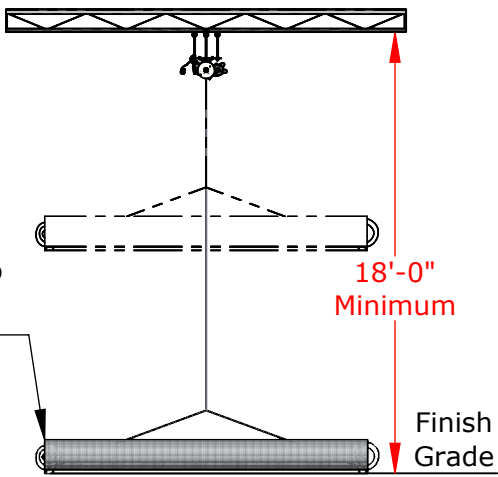
Main Building Support Structure (By Others)

Note: 2' Minimum Clearance Recommended Between Net and Other Interior Surfaces/Objects



The EOR Must Verify the Existing Structural Elements Have Adequate Capacity For The Reaction Forces Required for This Custom Installation

NOTE: Frame Must Be Lowered to Ground Before Going Up. Netting Sits on Frame in "Up" Position



Part #	Model	Net Size
BTIVRB	Baseball	75' L x 15' W x 13' H
BTIVRS	Softball	55' L x 15' W x 13' H
BTIVR-CUSTOM	Custom	Custom

PROPRIETARY AND CONFIDENTIAL

THE INFORMATION CONTAINED IN THIS DRAWING IS THE SOLE PROPERTY OF SPORTSFIELD SPECIALTIES INC. ANY REPRODUCTION IN PART OR AS A WHOLE WITHOUT THE WRITTEN PERMISSION OF SPORTSFIELD SPECIALTIES INC. IS PROHIBITED.

Building Connections Will be Project Specific and Provided During Final Submissions

Tension Cable Support Using Galvanized Aircraft Cable and Hardware Assembly

Standard Black Powder Coated Finish

The EOR Must Verify the Existing Structural Elements Have Adequate Capacity For The Reaction Forces Required For This Custom Installation

Bottom Cable Assembly at Divider Locations Only

Divider Netting Panel(s)
 #36 Black Nylon 1-3/4" Square Mesh Net with 1' of Excess Net at Bottom to Reduce Deflection

Optional 2' High #60 Black Nylon 1-7/8" Square Mesh Netting Baffles Attached to Ceiling Netting on Both Sides of Divider Net to Reduce Likelihood of Ball Pass-Through Due to Net Sag

Fixed Perimeter and Ceiling Netting #60 Black Nylon 1-7/8" Square Mesh Net with Optional Factory-Sewn Weighted Rope Bottom

Four (4) 4' W Openings with Curtain Style Exterior Overlap Flaps

Horizontally Retractable Divider Net Hung on Tensioned Cable using 3/16" Spring hook, 12" O.C.

With Optional Netting Baffles

Without Optional Netting Baffles

Custom Sizes and Designs Available Upon Request

Note: 2' Minimum Clearance Recommended Between Net and Other Interior Surfaces/Objects

PROPRIETARY AND CONFIDENTIAL

THE INFORMATION CONTAINED IN THIS DRAWING IS THE SOLE PROPERTY OF SPORTSFIELD SPECIALTIES INC. ANY REPRODUCTION IN PART OR AS A WHOLE WITHOUT THE WRITTEN PERMISSION OF SPORTSFIELD SPECIALTIES INC. IS PROHIBITED.

BTIPND Indoor Batting Tunnel Perimeter Netting with Divider

Not To Scale

Sportsfield Specialties Inc 09062023