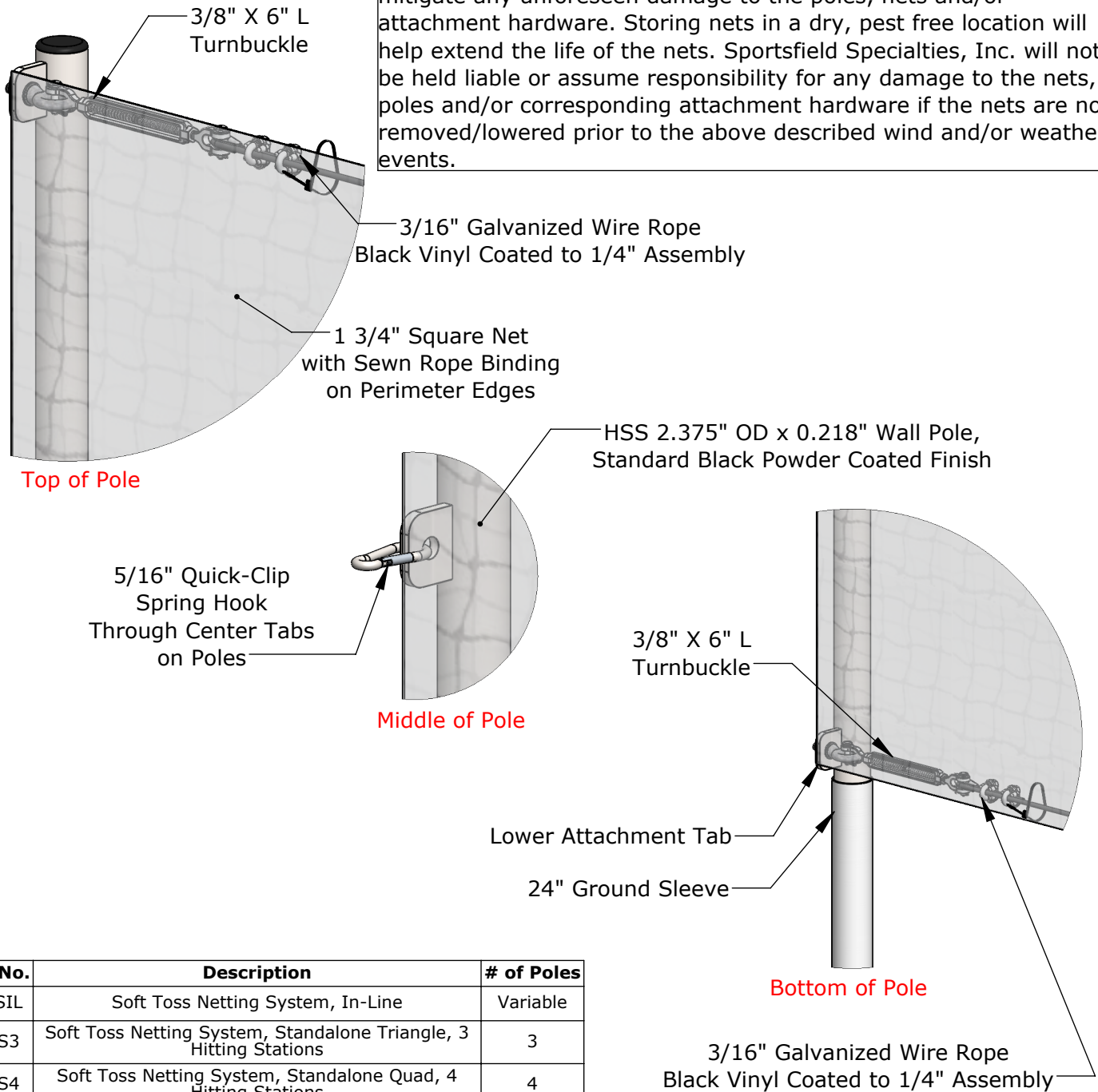


Sportsfield Specialties, Inc. strongly recommends the removal of all nets prior to exposure to winter weather, including snow and/or ice storms. Whenever possible, the nets should also be lowered prior to any extreme wind events. Removal/Lowering of the nets will mitigate any unforeseen damage to the poles, nets and/or attachment hardware. Storing nets in a dry, pest free location will help extend the life of the nets. Sportsfield Specialties, Inc. will not be held liable or assume responsibility for any damage to the nets, poles and/or corresponding attachment hardware if the nets are not removed/lowered prior to the above described wind and/or weather events.



Part No.	Description	# of Poles
STNSIL	Soft Toss Netting System, In-Line	Variable
STNS3	Soft Toss Netting System, Standalone Triangle, 3 Hitting Stations	3
STNS4	Soft Toss Netting System, Standalone Quad, 4 Hitting Stations	4

PROPRIETARY AND CONFIDENTIAL

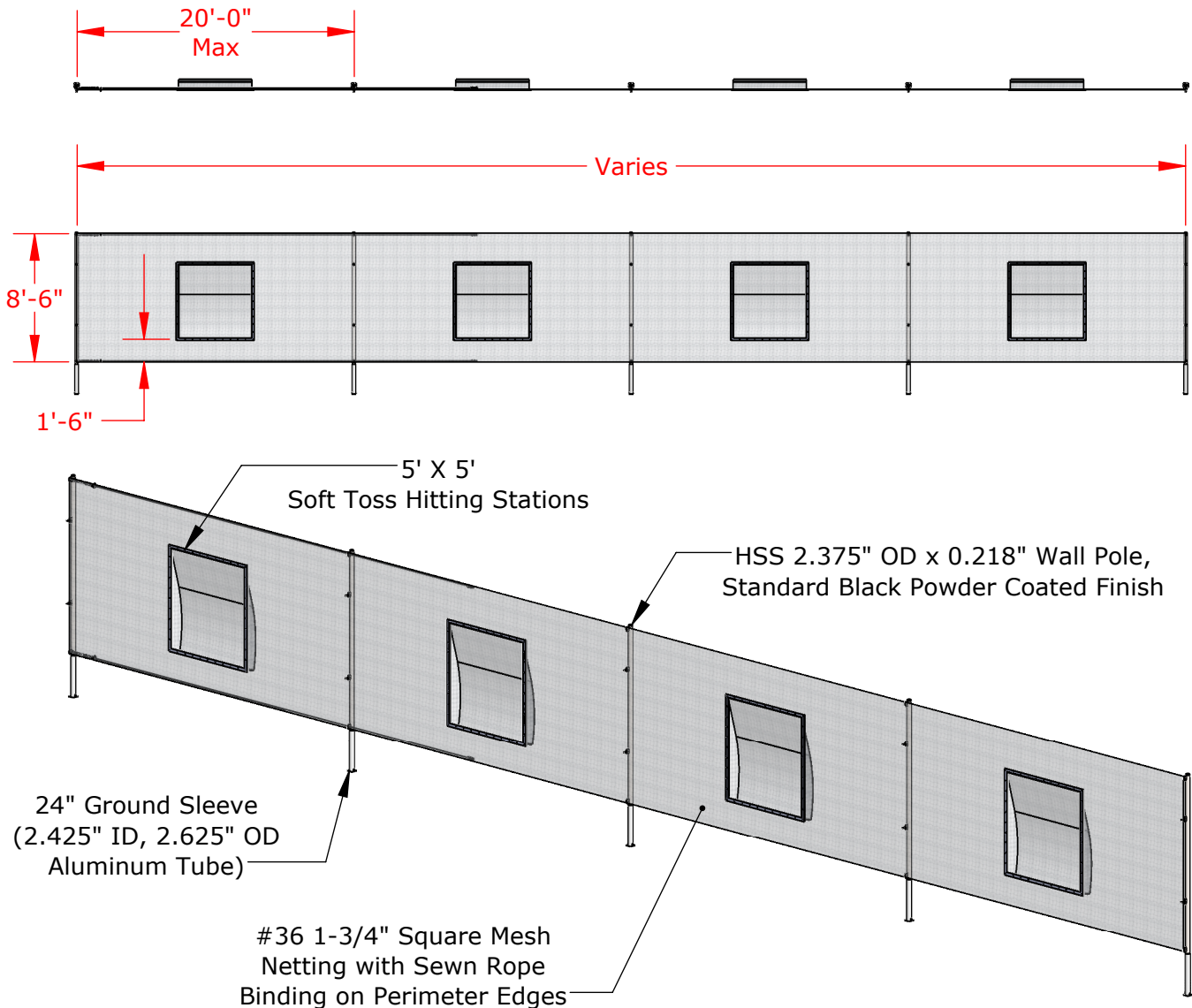
THE INFORMATION CONTAINED IN THIS DRAWING IS THE SOLE PROPERTY OF SPORTSFIELD SPECIALTIES INC. ANY REPRODUCTION IN PART OR AS A WHOLE WITHOUT THE WRITTEN PERMISSION OF SPORTSFIELD SPECIALTIES INC. IS PROHIBITED.

Soft Toss Netting System

Not To Scale

Sportsfield Specialties Inc 03242021

Sportsfield Specialties, Inc. strongly recommends the removal of all nets prior to exposure to winter weather, including snow and/or ice storms. Whenever possible, the nets should also be lowered prior to any extreme wind events. Removal/Lowering of the nets will mitigate any unforeseen damage to the poles, nets and/or attachment hardware. Storing nets in a dry, pest free location will help extend the life of the nets. Sportsfield Specialties, Inc. will not be held liable or assume responsibility for any damage to the nets, poles and/or corresponding attachment hardware if the nets are not removed/lowered prior to the above described wind and/or weather events.



**Foundation Requirements
Based on Local Codes and
Soil Conditions**

PROPRIETARY AND CONFIDENTIAL

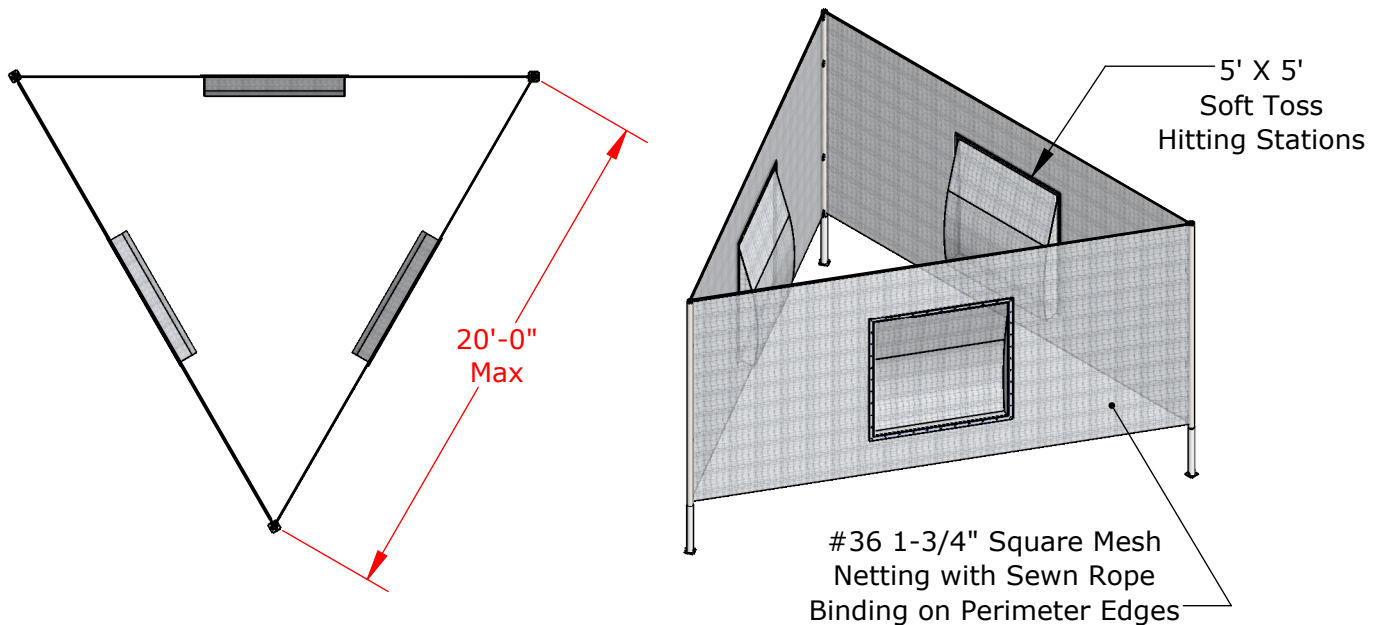
THE INFORMATION CONTAINED IN THIS DRAWING IS THE SOLE PROPERTY OF SPORTSFIELD SPECIALTIES INC. ANY REPRODUCTION IN PART OR AS A WHOLE WITHOUT THE WRITTEN PERMISSION OF SPORTSFIELD SPECIALTIES INC. IS PROHIBITED.

**STNSIL
In-Line Soft Toss Netting System**

Not To Scale

Sportsfield Specialties Inc 03242021

Sportsfield Specialties, Inc. strongly recommends the removal of all nets prior to exposure to winter weather, including snow and/or ice storms. Whenever possible, the nets should also be lowered prior to any extreme wind events. Removal/Lowering of the nets will mitigate any unforeseen damage to the poles, nets and/or attachment hardware. Storing nets in a dry, pest free location will help extend the life of the nets. Sportsfield Specialties, Inc. will not be held liable or assume responsibility for any damage to the nets, poles and/or corresponding attachment hardware if the nets are not removed/lowered prior to the above described wind and/or weather events.



**Foundation Requirements
Based on Local Codes and
Soil Conditions**

PROPRIETARY AND CONFIDENTIAL

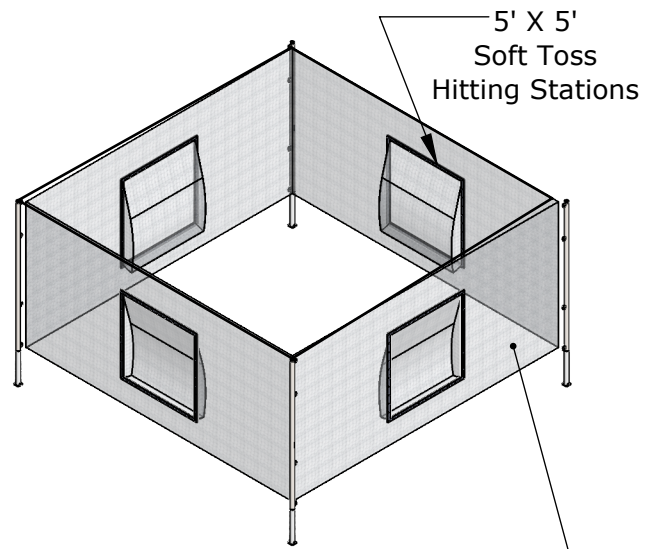
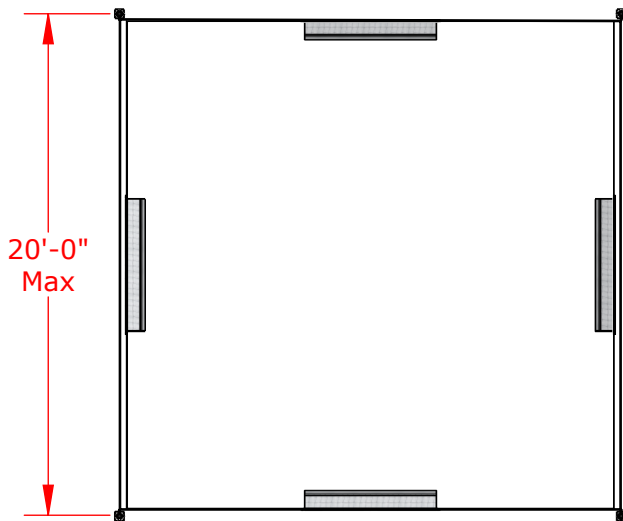
THE INFORMATION CONTAINED IN THIS DRAWING IS THE SOLE PROPERTY OF SPORTSFIELD SPECIALTIES INC. ANY REPRODUCTION IN PART OR AS A WHOLE WITHOUT THE WRITTEN PERMISSION OF SPORTSFIELD SPECIALTIES INC. IS PROHIBITED.

**STNS3 Standalone Triangle
Soft Toss Netting System**

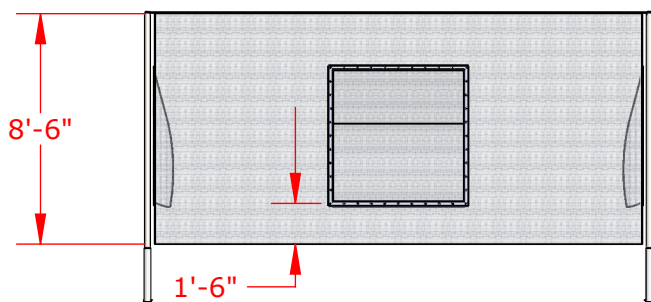
Not To Scale

Sportsfield Specialties Inc 03242021

Sportsfield Specialties, Inc. strongly recommends the removal of all nets prior to exposure to winter weather, including snow and/or ice storms. Whenever possible, the nets should also be lowered prior to any extreme wind events. Removal/Lowering of the nets will mitigate any unforeseen damage to the poles, nets and/or attachment hardware. Storing nets in a dry, pest free location will help extend the life of the nets. Sportsfield Specialties, Inc. will not be held liable or assume responsibility for any damage to the nets, poles and/or corresponding attachment hardware if the nets are not removed/lowered prior to the above described wind and/or weather events.



#36 1-3/4" Square Mesh
Netting with Sewn Rope
Binding on Perimeter Edges



HSS 2.375" OD x 0.218" Wall Pole,
Standard Black Powder Coated Finish

24" Ground Sleeve
(2.425" ID, 2.625" OD
Aluminum Tube)

Foundation Requirements
Based on Local Codes and
Soil Conditions

PROPRIETARY AND CONFIDENTIAL

THE INFORMATION CONTAINED IN THIS DRAWING IS THE SOLE PROPERTY OF SPORTSFIELD SPECIALTIES INC. ANY REPRODUCTION IN PART OR AS A WHOLE WITHOUT THE WRITTEN PERMISSION OF SPORTSFIELD SPECIALTIES INC. IS PROHIBITED.

**STNS4 Standalone Quad
Soft Toss Netting System**

Not To Scale

Sportsfield Specialties Inc 03242021