



www.sportsfield.com | 888-975-3343

*Excellence from
Design to Installation*



Baseball / Softball Storage Units



Sportsfield Specialties, Inc. 41155 State Hwy 10. Delhi, NY 13753



Natural Wood Storage Units

Product Overview

- Preassembled natural wood design
- Exterior grade plywood with hard ash edges
- Available in stand-up and wall mounted styles
- Custom sizes and configurations available

Item Number	Product Description
SUWHCBSS	Natural wood stand-up cubby with 16-helmet, 8-bat bin, and side storage
SUWHCBSSC	Vinyl bat and helmet cubby cover
SUWHCCRWM	Natural wood wall mounted cubby with 6-helmet and 6-hook coat rack
SUWCRSWM	Natural wood wall mounted 6-hook coat rack and shelf

Excellence from Design to Installation



All-Weather Aluminum Storage Units

Product Overview

- The answer to your game day storage needs!
- Preassembled all-weather aluminum design
- Available in stand-up and wall mounted styles
- Offered in a variety of powder coat colors
- Custom sizes and configurations available



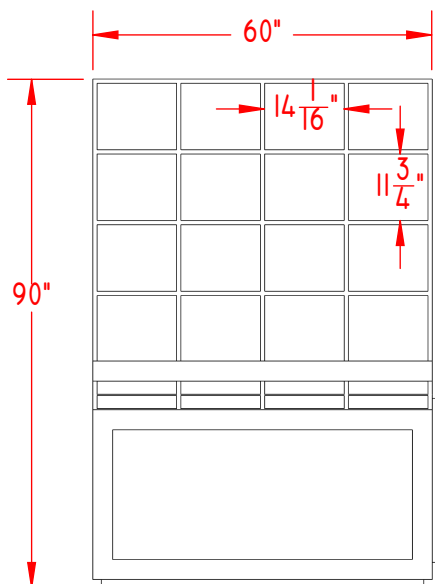
Item Number	Product Description
SUAHCBSS	Stand-up cubby with 16-helmet, 8-bat bin, and side storage (A)
SUAHC12BSS	Stand-up cubby with 12-helmet, 8-bat bin, and side storage
SUAHCBSBL	Stand-up cubby with support legs, 16-helmet, and 16-bat slot storage (B)
SUAHCBS	Wall mounted cubby with 16-helmet and 16-bat slot storage
SUAHC	Wall mounted cubby with 16-helmet storage
SUAHC12	Wall mounted cubby with 12-helmet storage
SUAHCWM	Wall mounted cubby with 4-helmet storage (D)
SUACRSWM	Wall mounted 4-hook coat rack and shelf (C)
SUABSS	Base unit with 8-bat bin and side storage
SUABRPL8	Stand alone 8-bat storage rack
SUABRPL15	Stand alone 15-bat storage rack (E)

14.06" W X 11.75" H x 18" DEEP
HELMET STORAGE (TYP. X16)

SOLID ASH TRIM

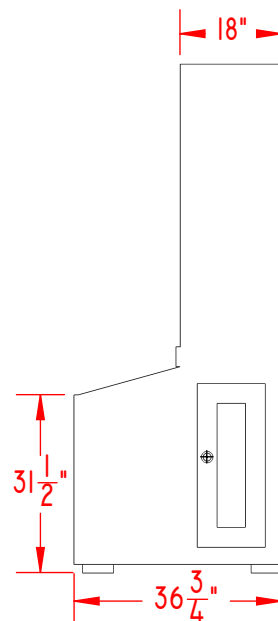
INNER STORAGE
AREA

2"X4" PRESSURE
TREATED BASE



SPECIFICATIONS:

MADE WITH 3/4" EXTERIOR GRADE PLYWOOD
WITH HARDWOOD ASH EDGES
ASSEMBLED WITH STAINLESS STEEL SCREWS
FINISHED WITH MARINE GRADE WATER-BASED
POLYURETHANE
WALL ANCHORS BY OTHERS



PROPRIETARY AND CONFIDENTIAL
THE INFORMATION CONTAINED IN THIS
DRAWING IS THE SOLE PROPERTY OF
SPORTSFIELD SPECIALTIES INC. ANY
REPRODUCTION IN PART OR AS A WHOLE
WITHOUT THE WRITTEN PERMISSION OF
SPORTSFIELD SPECIALTIES INC. IS
PROHIBITED.

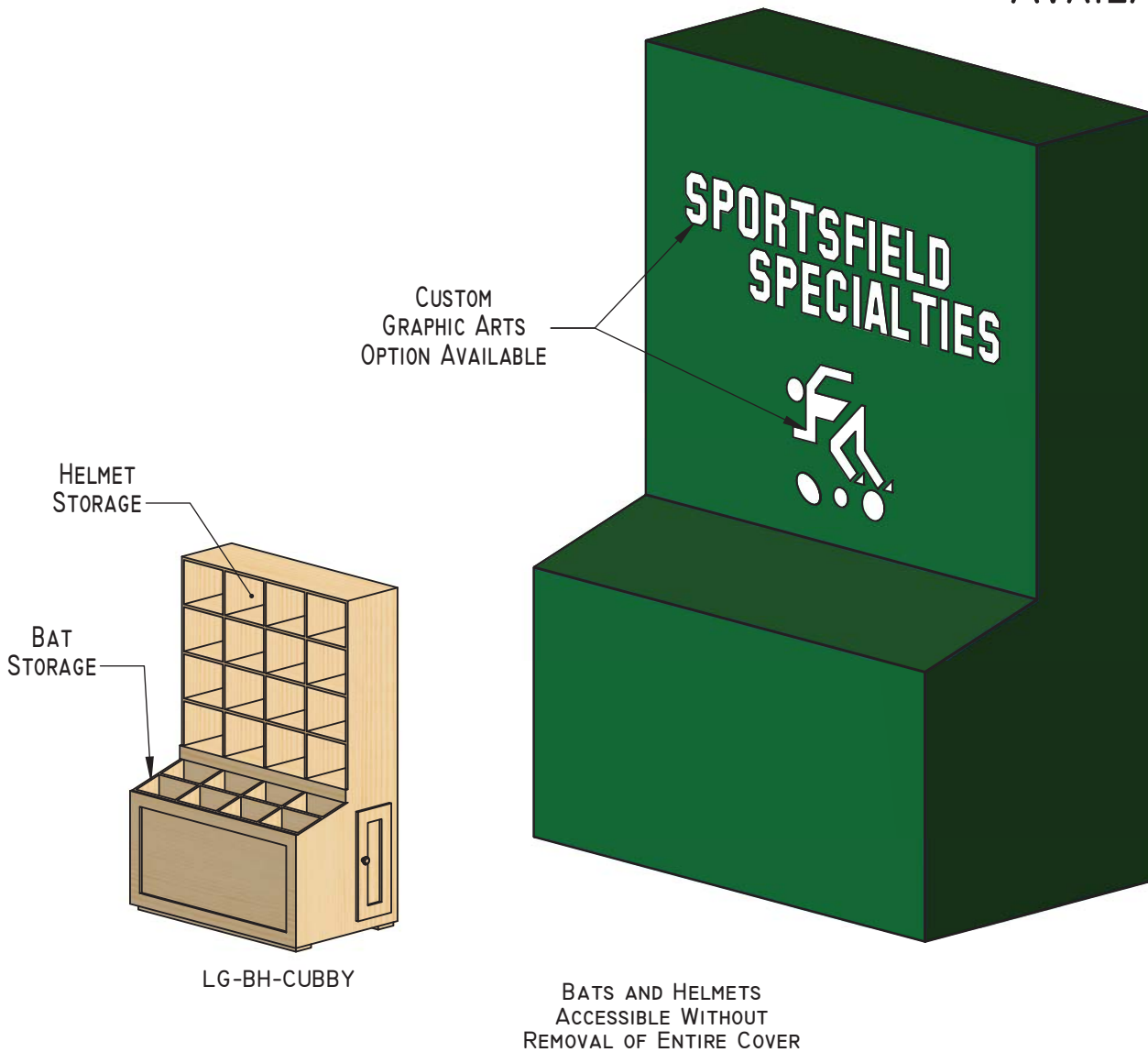
**SUWHCBSS (LG-BH-CUBBY) HELMET, BAT BIN
AND SIDE STORAGE STAND-UP CUBBY UNIT**

NOT TO SCALE

SPORTSFIELD SPECIALTIES INC 03162017

COVER MATERIAL: 19 OZ. HEAVY COATED VINYL,
VARIOUS STANDARD VINYL COLORS AVAILABLE

**CUSTOM SIZES
AVAILABLE**



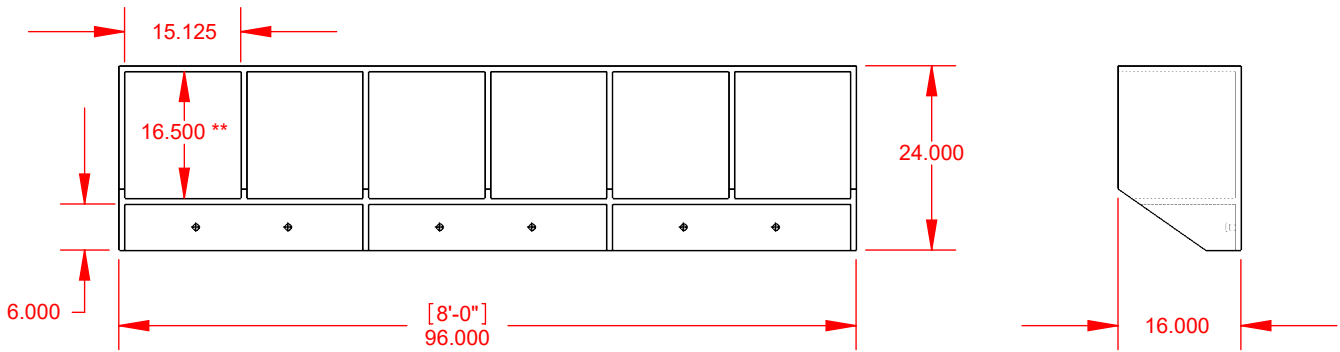
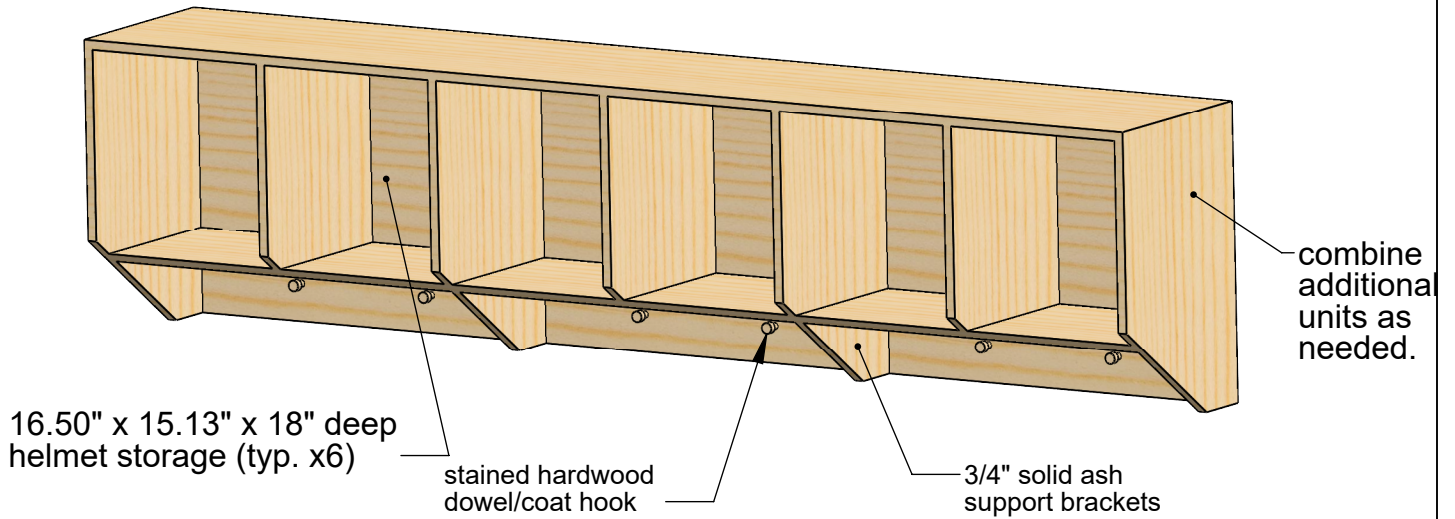
**MADE ESPECIALLY FOR LG-BH-CUBBY
(90" H x 60" W x 36" D)**

PROPRIETARY AND CONFIDENTIAL
THE INFORMATION CONTAINED IN THIS DRAWING IS THE SOLE PROPERTY OF SPORTSFIELD SPECIALTIES INC. ANY REPRODUCTION IN PART OR AS A WHOLE WITHOUT THE WRITTEN PERMISSION OF SPORTSFIELD SPECIALTIES INC. IS PROHIBITED.

**LG-BH-CUBBY-COVER
VINYL BAT & HELMET CUBBY COVER**

NOT TO SCALE

SPORTSFIELD SPECIALTIES INC 11012014



SPECIFICATIONS:

made with 3/4" exterior grade plywood with hardwood ash edges
 assembled with stainless steel screws
 finished with marine grade water-based polyurethane
 wall anchors by others

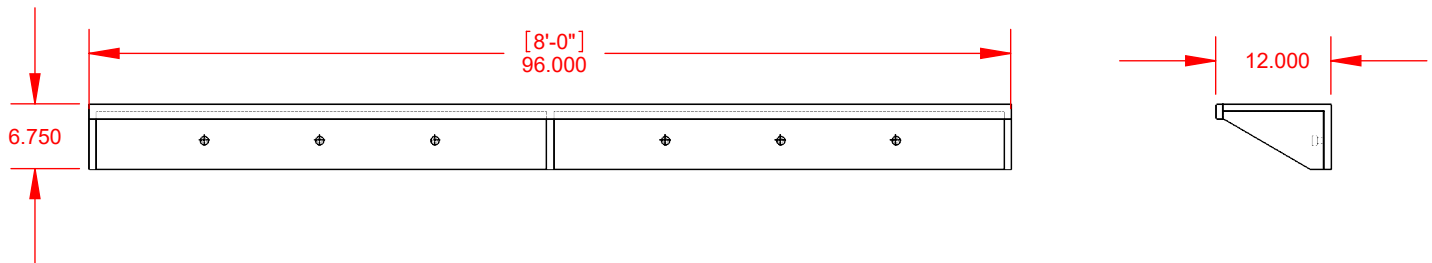
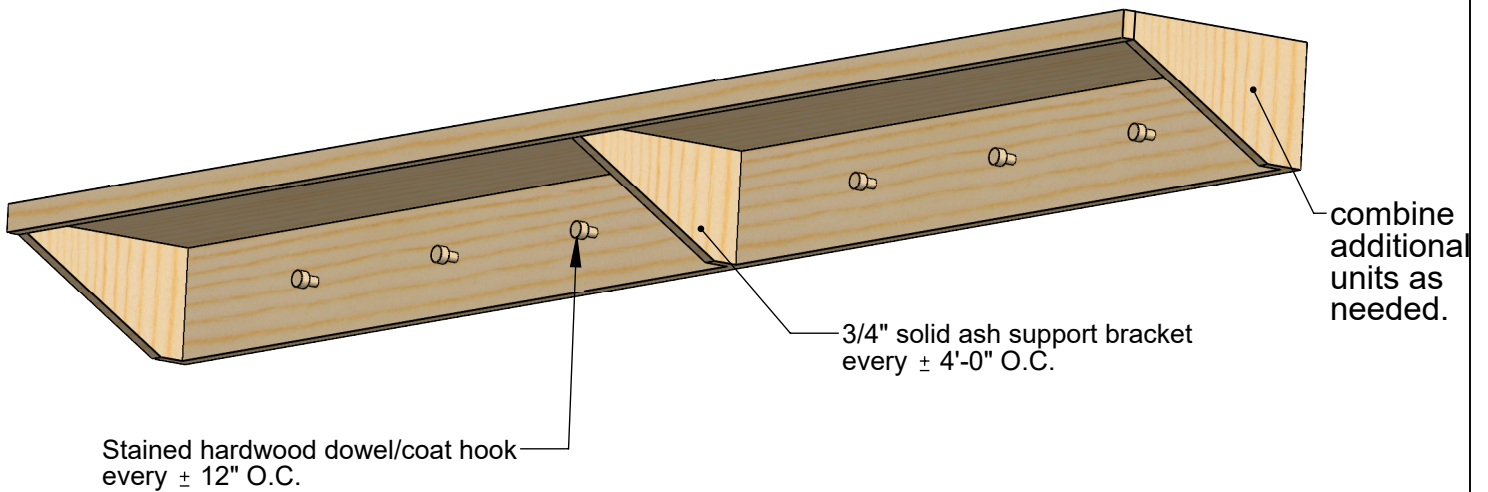
PROPRIETARY AND CONFIDENTIAL

THE INFORMATION CONTAINED IN THIS DRAWING IS THE SOLE PROPERTY OF SPORTSFIELD SPECIALTIES INC. ANY REPRODUCTION IN PART OR AS A WHOLE WITHOUT THE WRITTEN PERMISSION OF SPORTSFIELD SPECIALTIES INC. IS PROHIBITED.

SUWHCCRWM Helmet Cubby and Coat Rack Wall Mounting Unit

Not To Scale

Sportsfield Specialties Inc 105714.1-221219



SPECIFICATIONS:

made with 3/4" exterior grade plywood with hardwood ash edges
 assembled with stainless steel screws
 finished with marine grade water-based polyurethane
 wall anchors by others

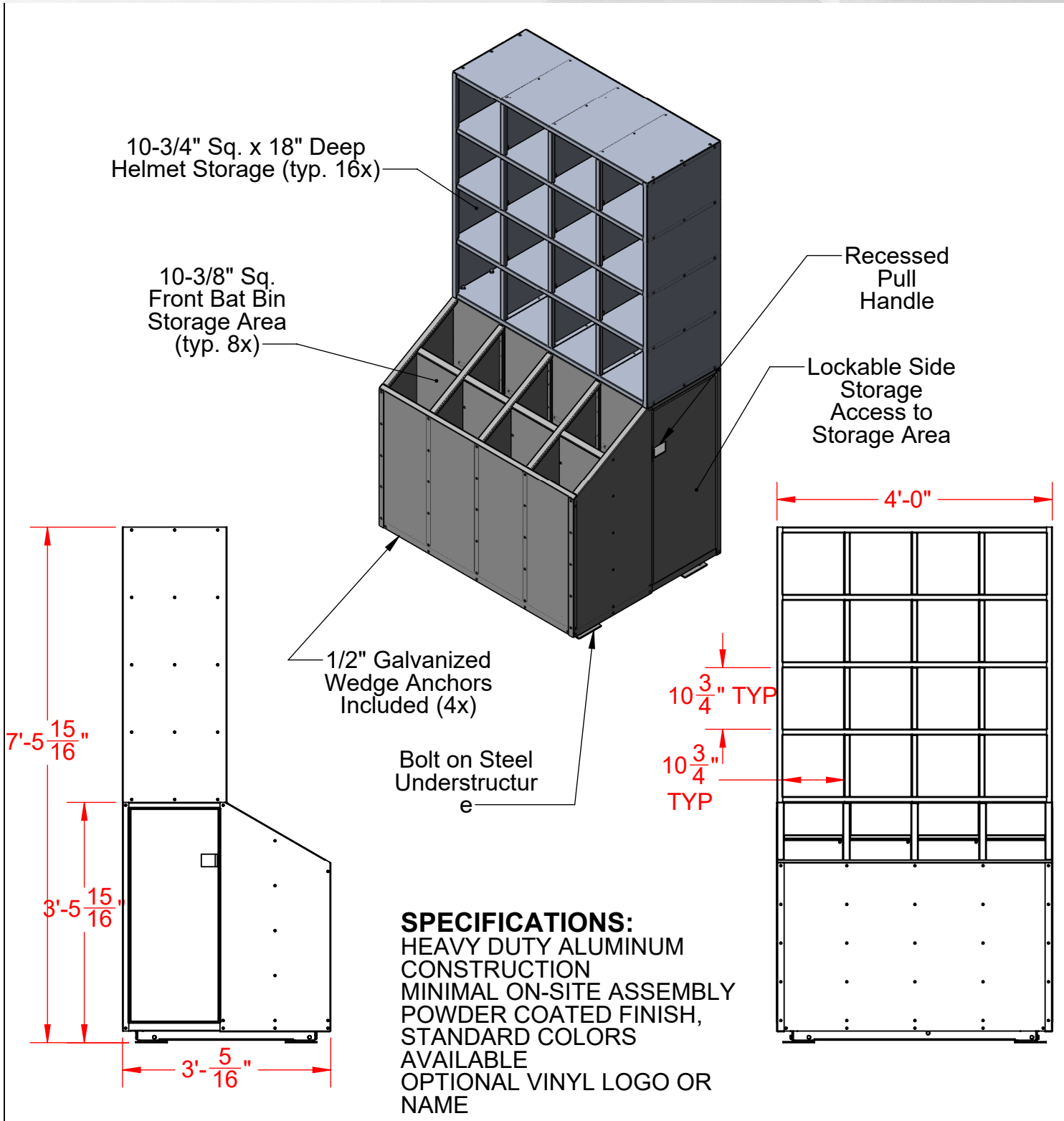
PROPRIETARY AND CONFIDENTIAL

THE INFORMATION CONTAINED IN THIS DRAWING IS THE SOLE PROPERTY OF SPORTSFIELD SPECIALTIES INC. ANY REPRODUCTION IN PART OR AS A WHOLE WITHOUT THE WRITTEN PERMISSION OF SPORTSFIELD SPECIALTIES INC. IS PROHIBITED.

SUWCRSWM Coat Rack and Shelf Wall Mounting Unit

Not To Scale

Sportsfield Specialties Inc 105715.1-221219



PROPRIETARY AND CONFIDENTIAL

THE INFORMATION CONTAINED IN THIS DRAWING IS THE SOLE PROPERTY OF SPORTSFIELD SPECIALTIES INC. ANY REPRODUCTION IN PART OR AS A WHOLE WITHOUT THE WRITTEN PERMISSION OF SPORTSFIELD SPECIALTIES INC. IS PROHIBITED.

SUAHCBBSS Helmet, Bat Bin and Side Storage Stand-Up Cubby Unit

Not To Scale

Sportsfield Specialties Inc 105712.1-221219

10-11/16" x 10-3/4" x 18" Deep
Helmet Storage (typ. 12x)

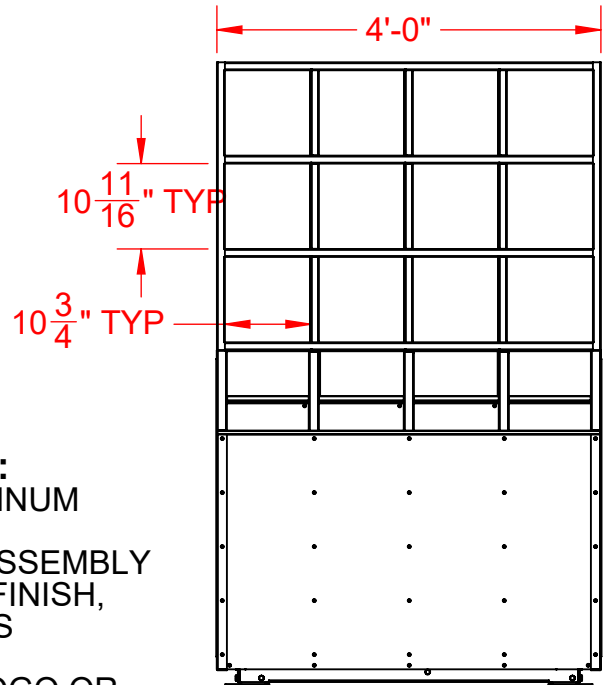
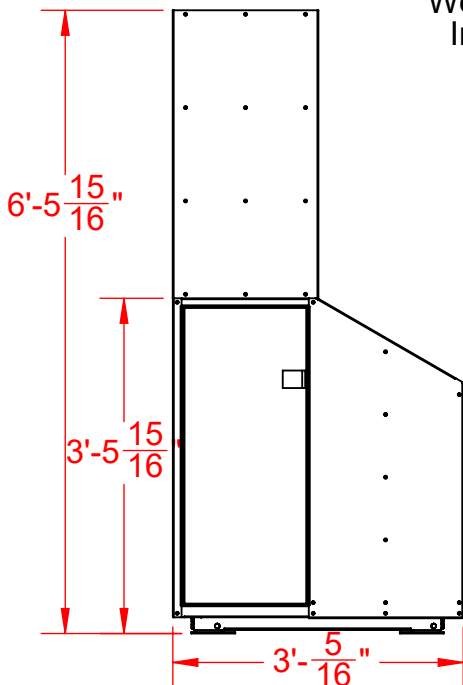
10-3/8" Sq.
Front Bat Bin
Storage Area
(typ. 8x)

Recessed
Pull
Handle

Lockable Side
Storage
Access to
Storage Area

1/2" Galvanized
Wedge Anchors
Included (4x)

Bolt on Steel
Understructure



SPECIFICATIONS:
HEAVY DUTY ALUMINUM
CONSTRUCTION
MINIMAL ON-SITE ASSEMBLY
POWDER COATED FINISH,
STANDARD COLORS
AVAILABLE
OPTIONAL VINYL LOGO OR
NAME

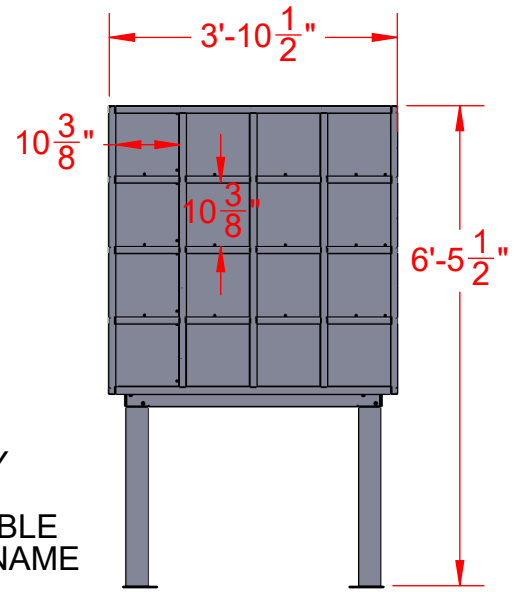
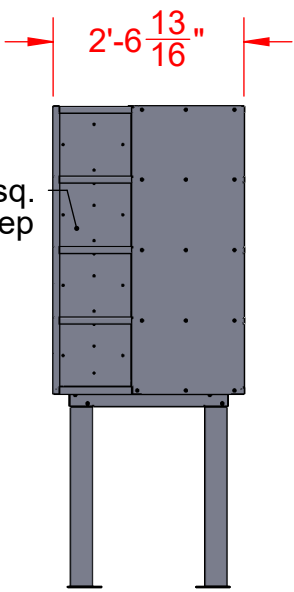
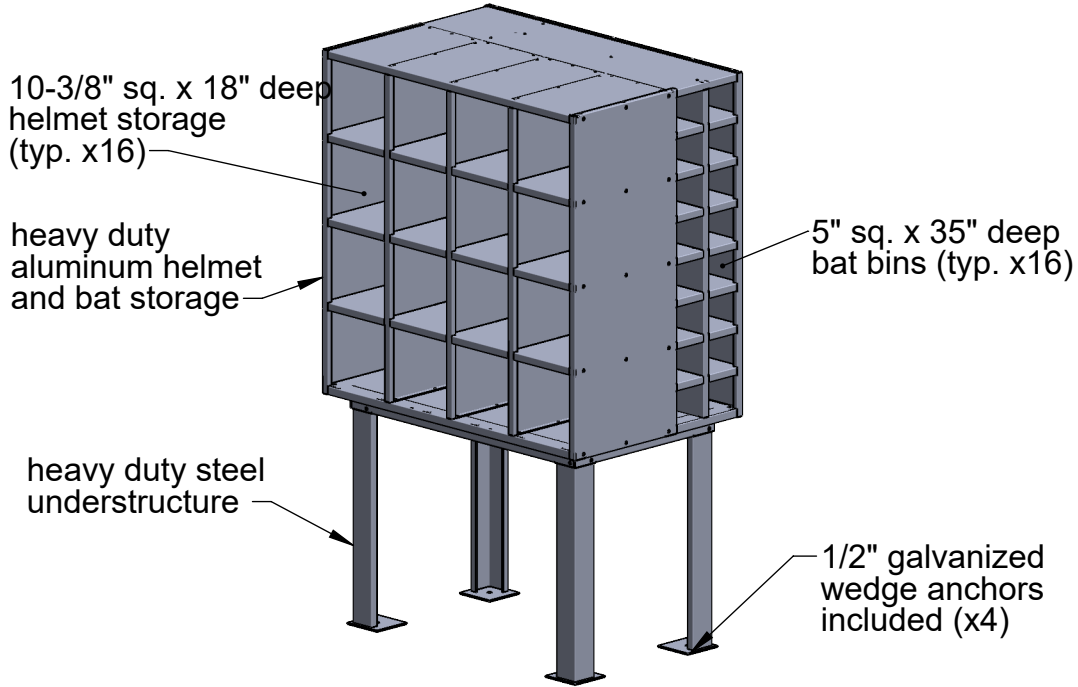
PROPRIETARY AND CONFIDENTIAL

THE INFORMATION CONTAINED IN THIS DRAWING IS THE SOLE PROPERTY OF SPORTSFIELD SPECIALTIES INC. ANY REPRODUCTION IN PART OR AS A WHOLE WITHOUT THE WRITTEN PERMISSION OF SPORTSFIELD SPECIALTIES INC. IS PROHIBITED.

SUAHC12BBSS Helmet, Bat Bin and Side Storage Stand-Up Cubby Unit

Not To Scale

Sportsfield Specialties Inc 105716.1-221219



SPECIFICATIONS:
 ALUMINUM & STEEL
 CONSTRUCTION
 MINIMAL ON-SITE ASSEMBLY
 POWDER COATED FINISH,
 STANDARD COLORS AVAILABLE
 OPTIONAL VINYL LOGO OR NAME

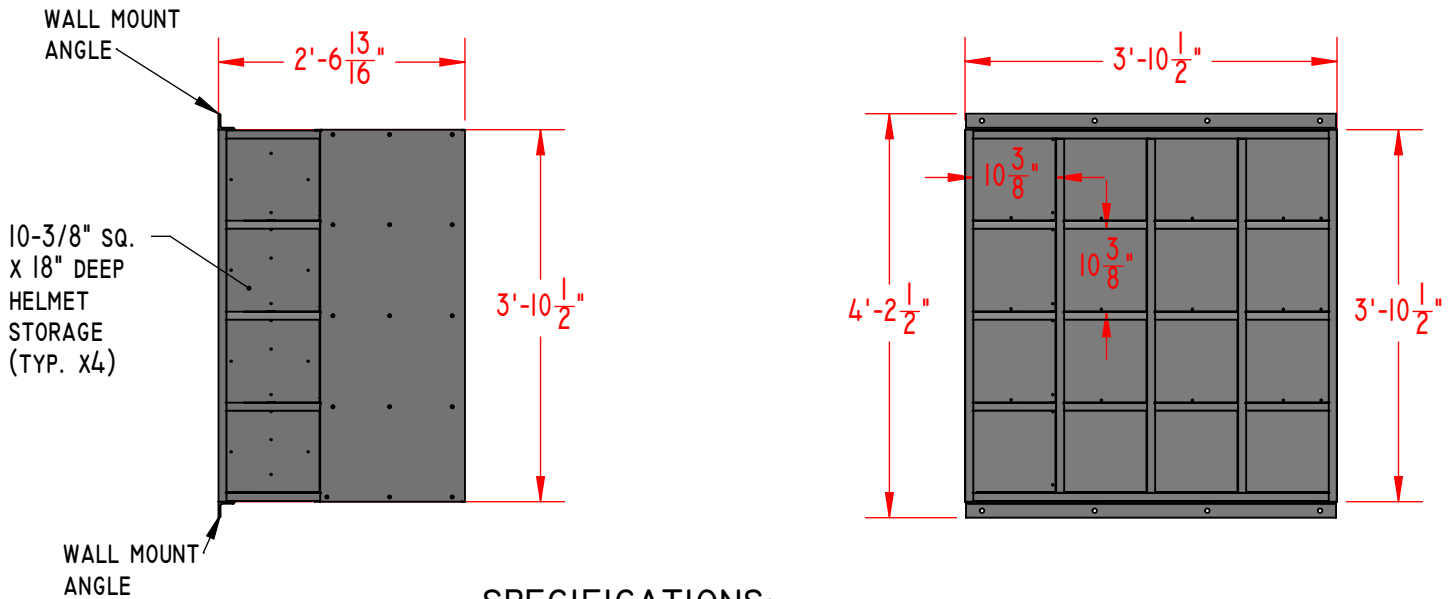
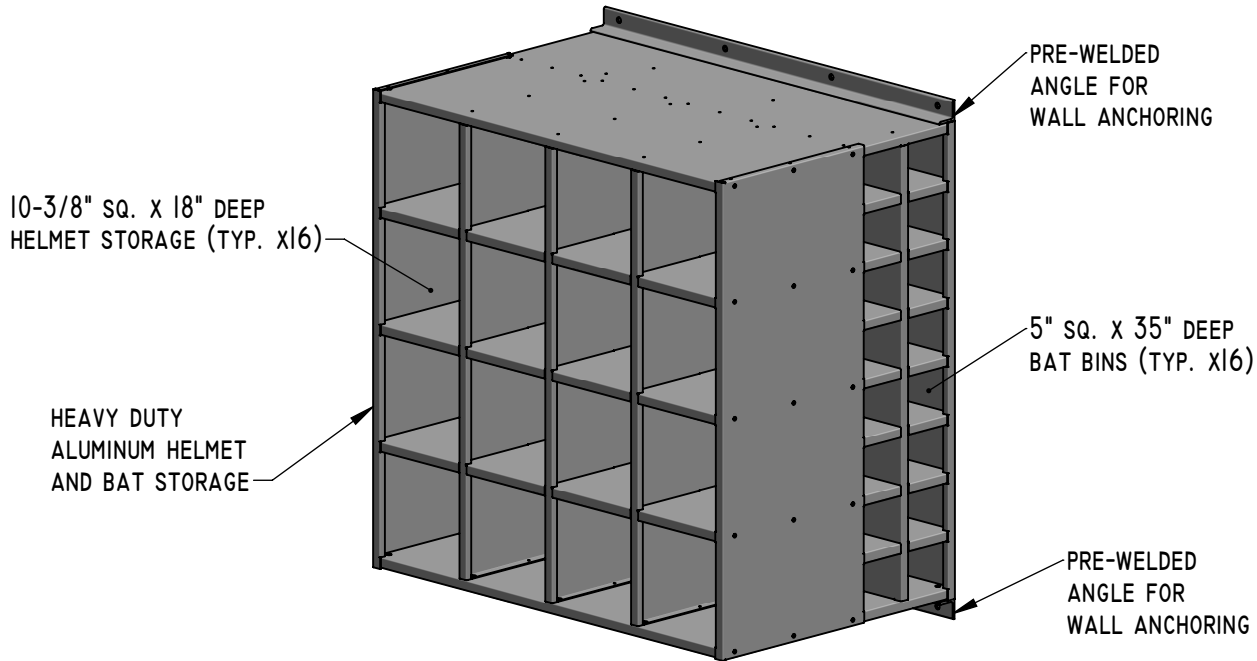
PROPRIETARY AND CONFIDENTIAL

THE INFORMATION CONTAINED IN THIS DRAWING IS THE SOLE PROPERTY OF SPORTSFIELD SPECIALTIES INC. ANY REPRODUCTION IN PART OR AS A WHOLE WITHOUT THE WRITTEN PERMISSION OF SPORTSFIELD SPECIALTIES INC. IS PROHIBITED.

SUAHCBSBL Helmet and Bat Slot Stand-Up Cubby Unit with Support Legs

Not To Scale

Sportsfield Specialties Inc 105719.1-221219



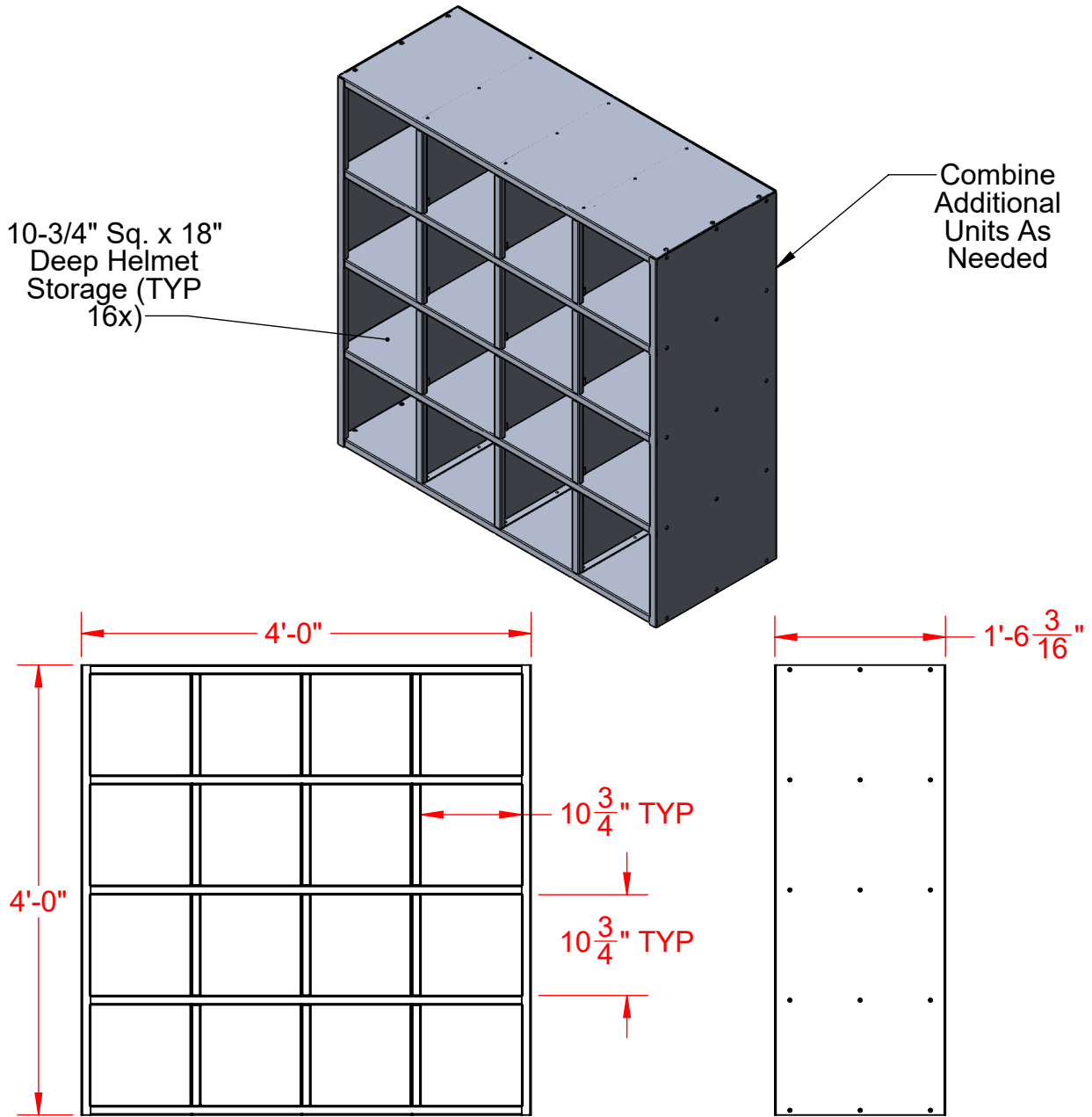
SPECIFICATIONS:
HEAVY DUTY ALUMINUM CONSTRUCTION
MINIMAL ON-SITE ASSEMBLY
POWDER COATED FINISH, STANDARD COLORS AVAILABLE
OPTIONAL VINYL LOGO OR NAME
WALL ANCHORS BY OTHERS

PROPRIETARY AND CONFIDENTIAL
THE INFORMATION CONTAINED IN THIS
DRAWING IS THE SOLE PROPERTY OF
SPORTSFIELD SPECIALTIES INC. ANY
REPRODUCTION IN PART OR AS A WHOLE
WITHOUT THE WRITTEN PERMISSION OF
SPORTSFIELD SPECIALTIES INC. IS
PROHIBITED.

**SUAHCBS (LG-BH-TP) HELMET AND BAT SLOT CUBBY WALL
MOUNTING UNIT**

NOT TO SCALE

SPORTSFIELD SPECIALTIES INC 03032017



SPECIFICATIONS:
 HEAVY DUTY ALUMINUM CONSTRUCTION
 MINIMAL ON-SITE ASSEMBLY
 POWDER COATED FINISH, STANDARD COLORS
 AVAILABLE
 OPTIONAL VINYL LOGO OR NAME
 WALL ANCHORS BY OTHERS

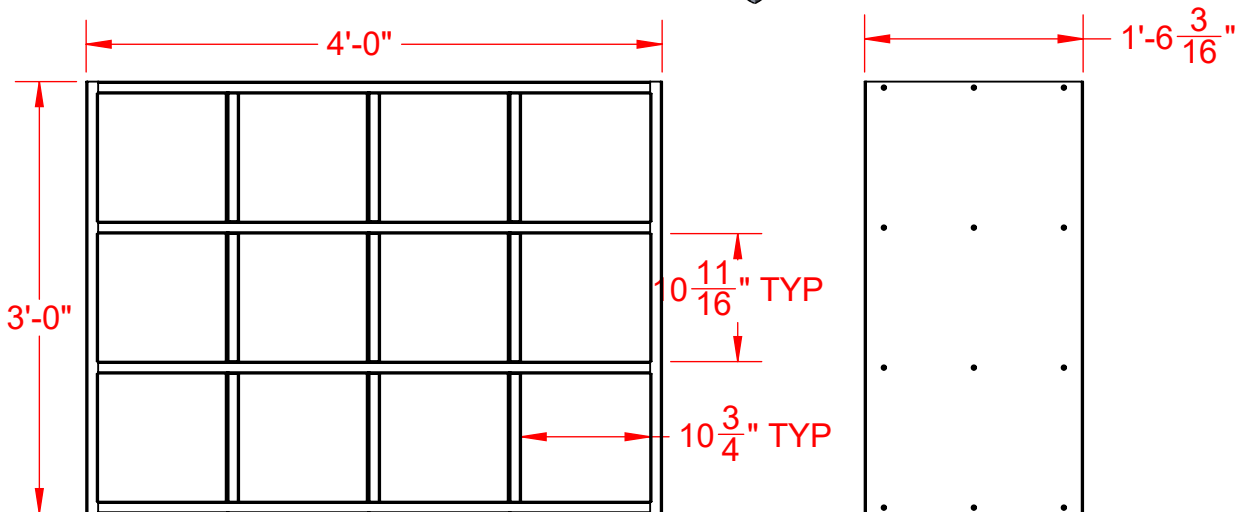
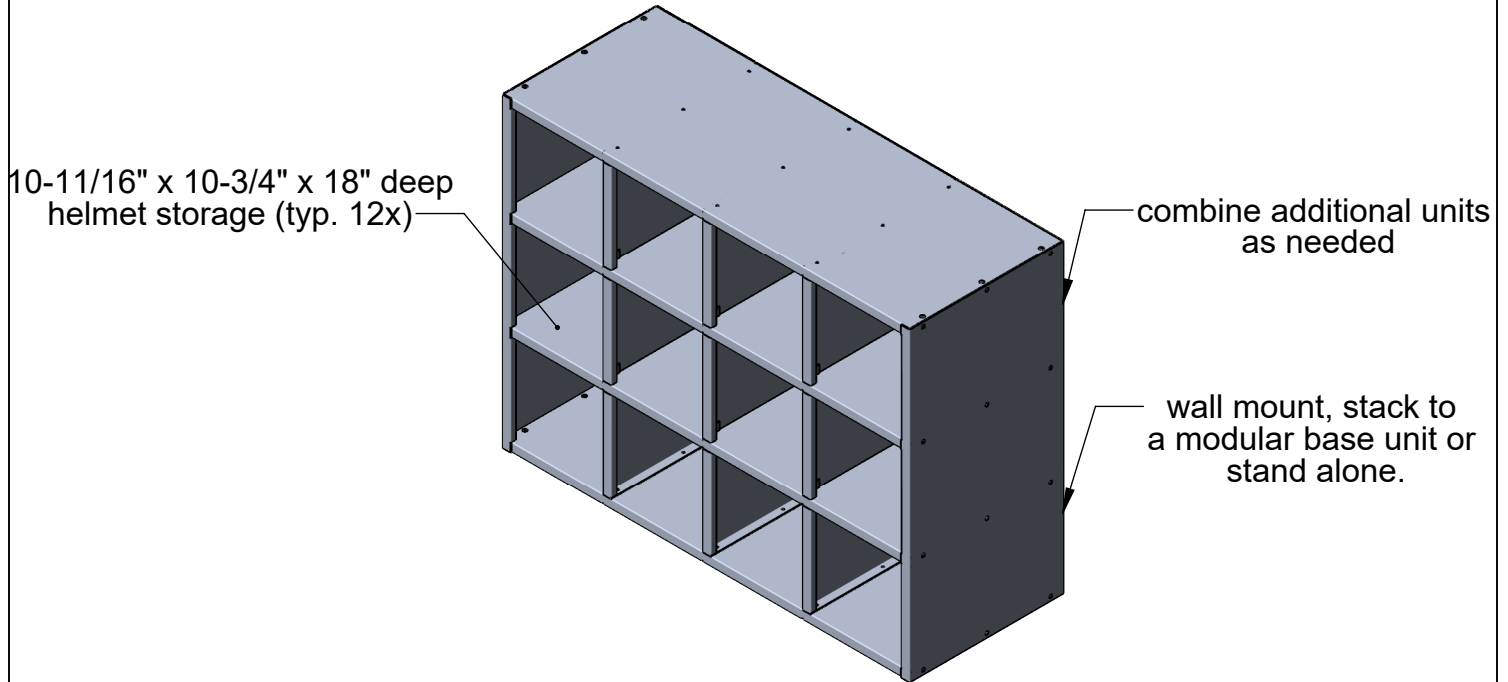
PROPRIETARY AND CONFIDENTIAL

THE INFORMATION CONTAINED IN THIS DRAWING IS THE SOLE PROPERTY OF SPORTSFIELD SPECIALTIES INC. ANY REPRODUCTION IN PART OR AS A WHOLE WITHOUT THE WRITTEN PERMISSION OF SPORTSFIELD SPECIALTIES INC. IS PROHIBITED.

SUAHC Helmet Cubby Wall Mounting Unit

Not To Scale

Sportsfield Specialties Inc 105725.1-221219



SPECIFICATIONS:

- HEAVY DUTY ALUMINUM CONSTRUCTION
- MINIMAL ON-SITE ASSEMBLY
- WALL MOUNTING OPTION
- POWDER COATED FINISH, STANDARD COLORS AVAILABLE
- OPTIONAL VINYL LOGO OR NAME

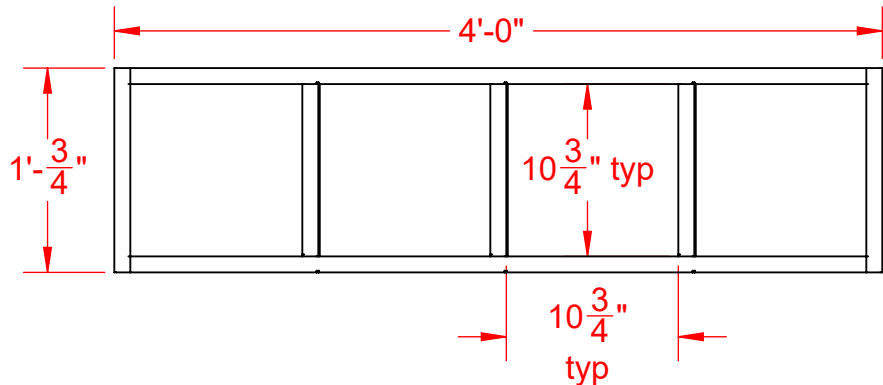
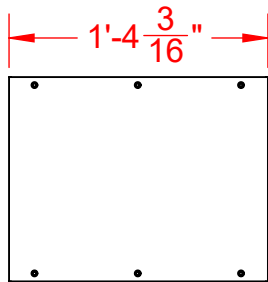
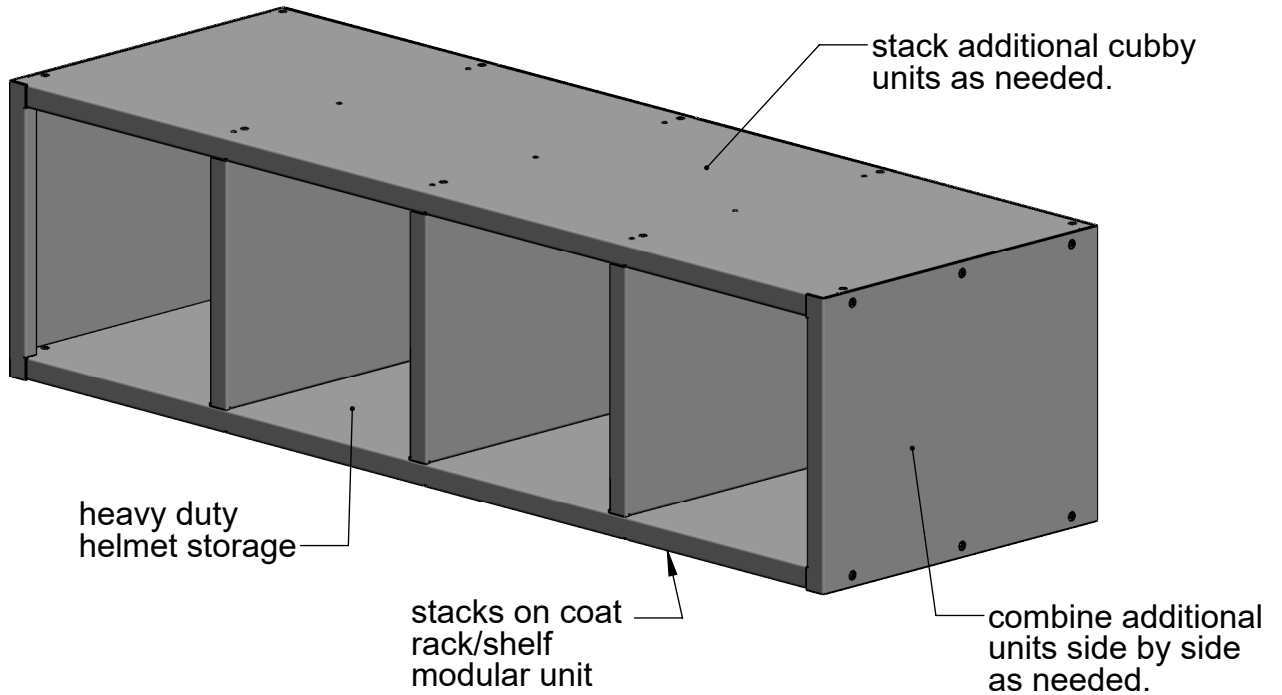
PROPRIETARY AND CONFIDENTIAL

THE INFORMATION CONTAINED IN THIS DRAWING IS THE SOLE PROPERTY OF SPORTSFIELD SPECIALTIES INC. ANY REPRODUCTION IN PART OR AS A WHOLE WITHOUT THE WRITTEN PERMISSION OF SPORTSFIELD SPECIALTIES INC. IS PROHIBITED.

SUAHC12 Helmet Cubby Wall Mounting Unit

Not To Scale

Sportsfield Specialties Inc 105727.1-221219



SPECIFICATIONS:
 HEAVY DUTY ALUMINUM CONSTRUCTION
 MINIMAL ON-SITE ASSEMBLY
 POWDER COATED FINISH, STANDARD COLORS AVAILABLE
 OPTIONAL VINYL LOGO OR NAME
 WALL ANCHORS BY OTHERS

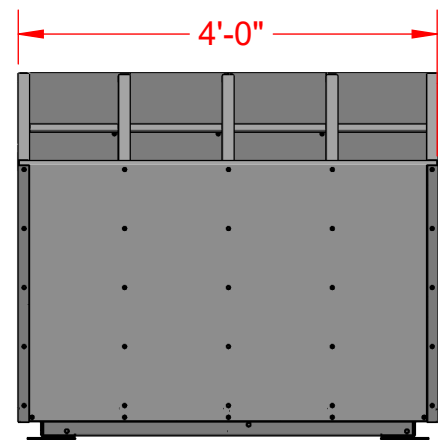
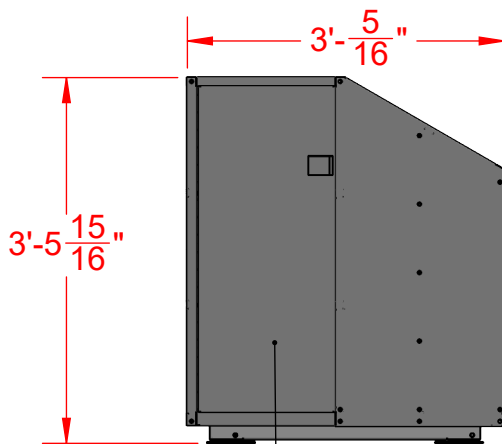
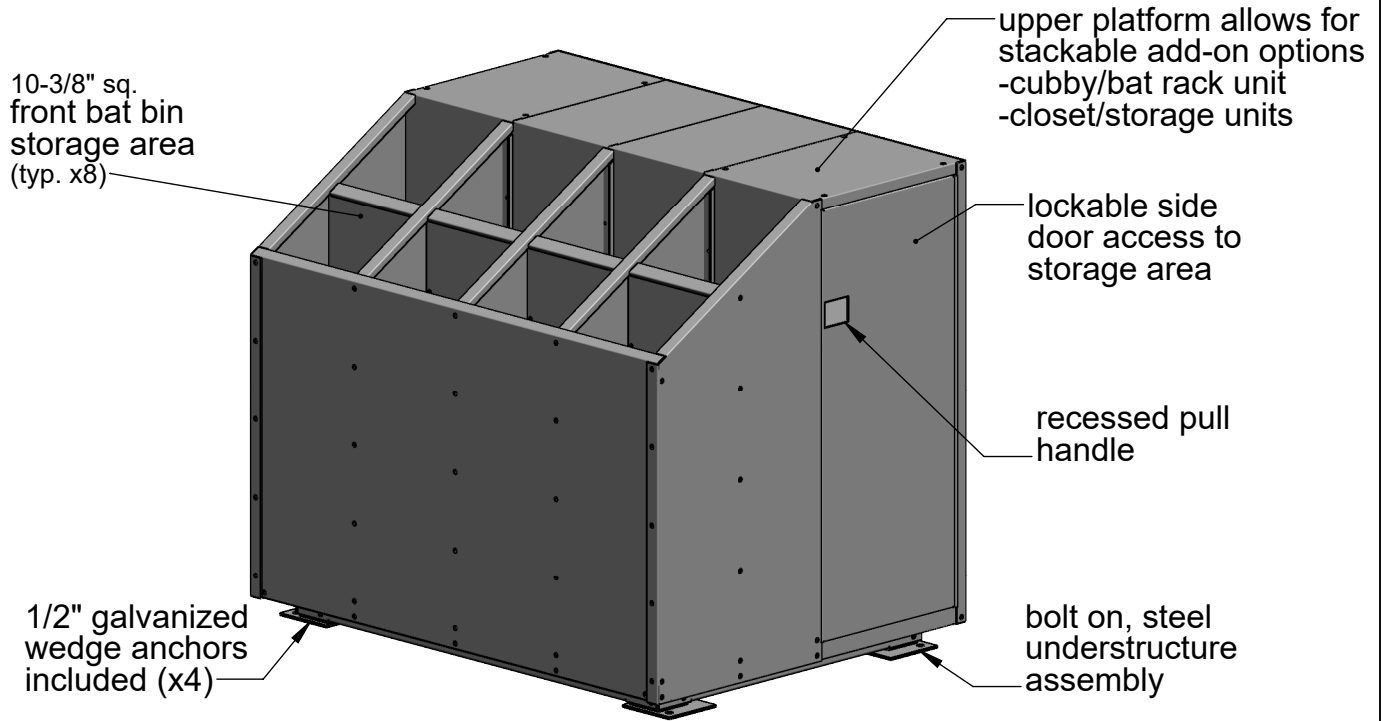
PROPRIETARY AND CONFIDENTIAL

THE INFORMATION CONTAINED IN THIS DRAWING IS THE SOLE PROPERTY OF SPORTSFIELD SPECIALTIES INC. ANY REPRODUCTION IN PART OR AS A WHOLE WITHOUT THE WRITTEN PERMISSION OF SPORTSFIELD SPECIALTIES INC. IS PROHIBITED.

SUAHCWM Helmet Cubby Wall Mounting Unit

Not To Scale

Sportsfield Specialties Inc 105729.1-221219



lockable side door access to storage area

SPECIFICATIONS:
HEAVY DUTY ALUMINUM CONSTRUCTION
MINIMAL ON-SITE ASSEMBLY
POWDER COATED FINISH, STANDARD COLORS AVAILABLE
OPTIONAL VINYL LOGO OR NAME

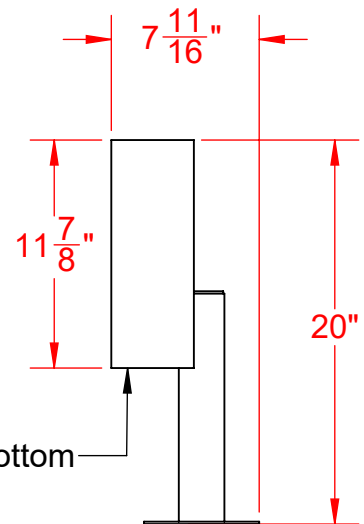
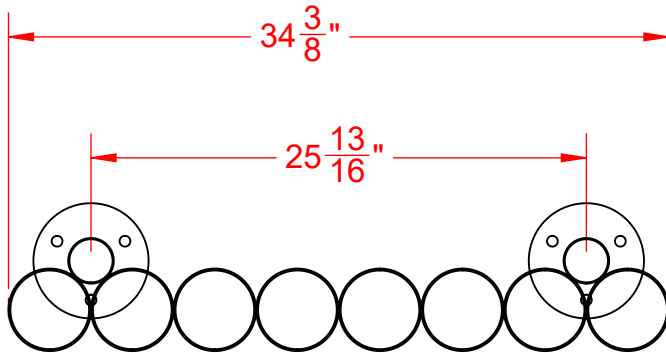
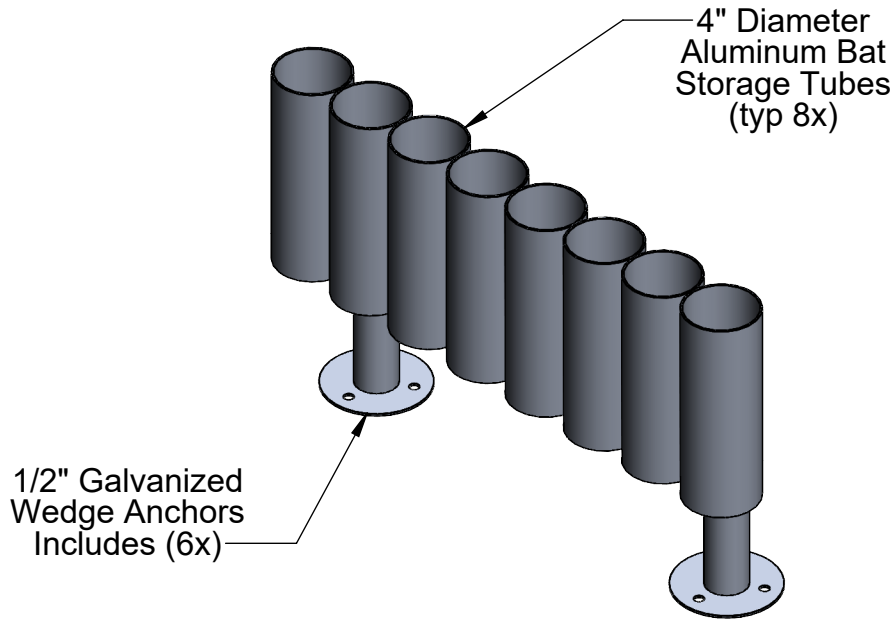
PROPRIETARY AND CONFIDENTIAL

THE INFORMATION CONTAINED IN THIS DRAWING IS THE SOLE PROPERTY OF SPORTSFIELD SPECIALTIES INC. ANY REPRODUCTION IN PART OR AS A WHOLE WITHOUT THE WRITTEN PERMISSION OF SPORTSFIELD SPECIALTIES INC. IS PROHIBITED.

SUABBSS Front Bat Bin and Storage Base Unit

Not To Scale

Sportsfield Specialties Inc 105730.1-221219



Specifications:
 Heavy Duty Aluminum Construction
 Minimal On-Site Assembly
 Powder Coated Finish, Standard Colors Available

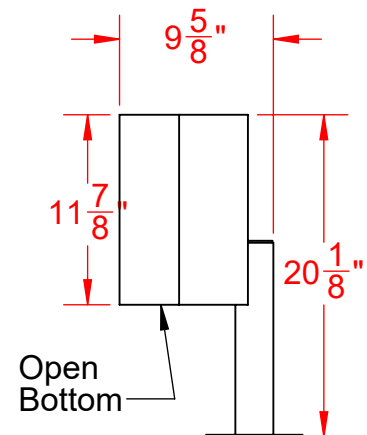
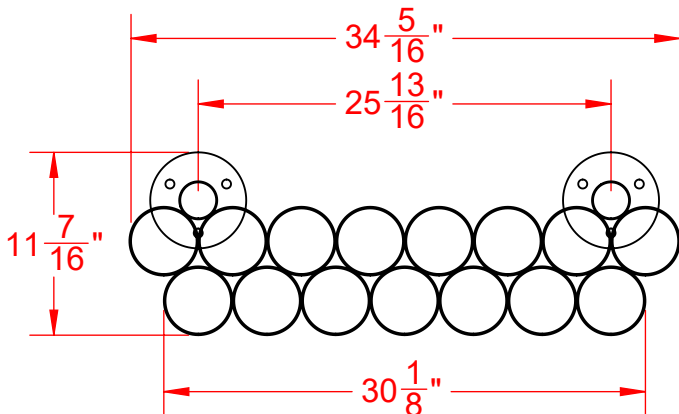
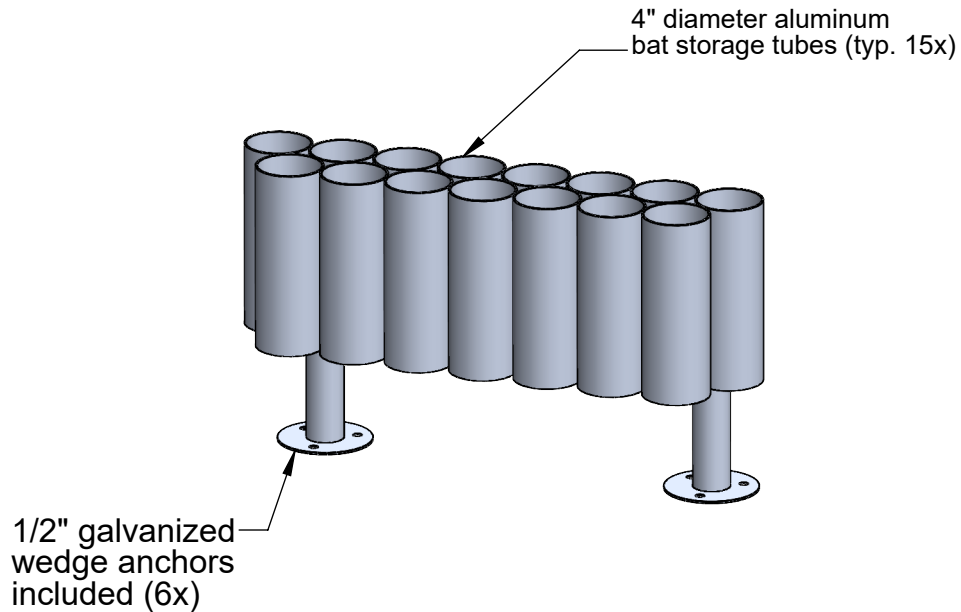
PROPRIETARY AND CONFIDENTIAL

THE INFORMATION CONTAINED IN THIS DRAWING IS THE SOLE PROPERTY OF SPORTSFIELD SPECIALTIES INC. ANY REPRODUCTION IN PART OR AS A WHOLE WITHOUT THE WRITTEN PERMISSION OF SPORTSFIELD SPECIALTIES INC. IS PROHIBITED.

SUABRPL8 Stand Alone Bat Rack

Not To Scale

Sportsfield Specialties Inc 105731.1-221219



Specifications:
 Heavy Duty Aluminum Construction
 Minimal On-Site Assembly
 Powder Coated Finish, Standard Colors Available

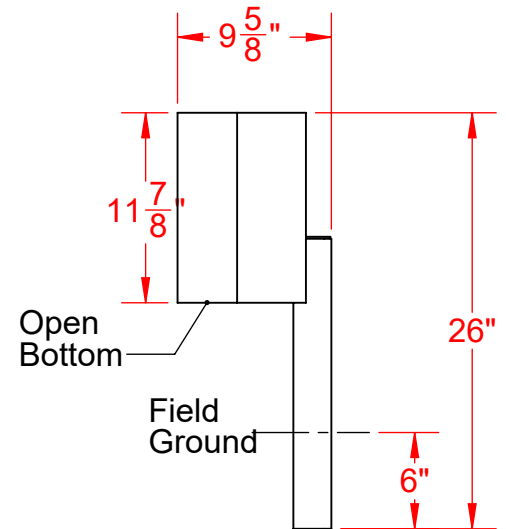
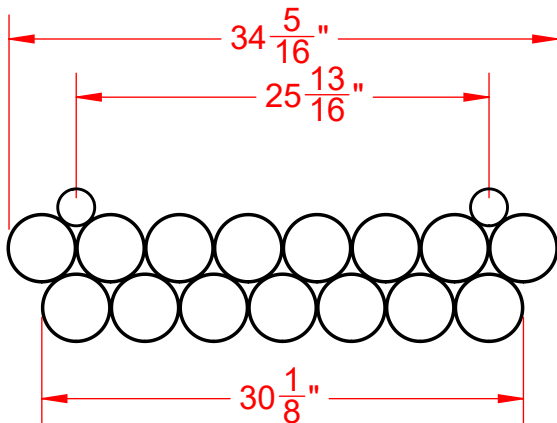
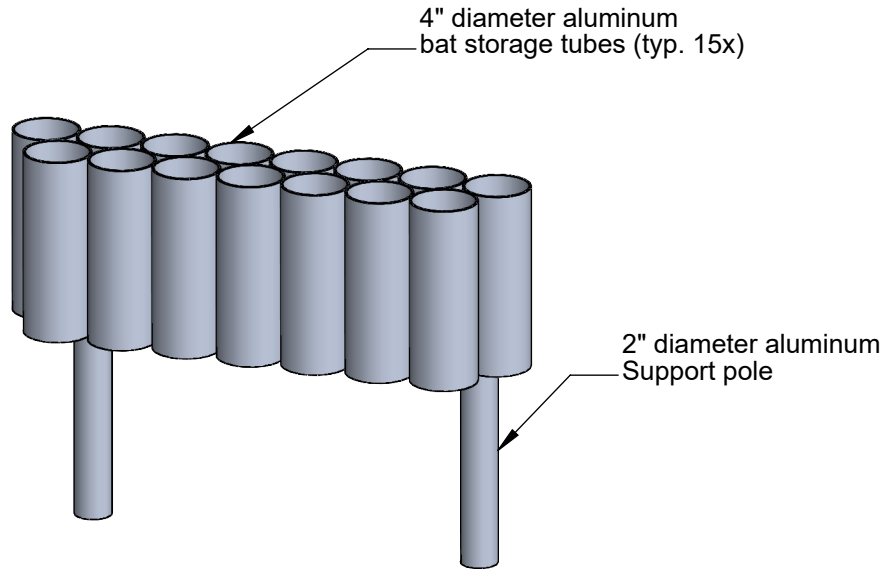
PROPRIETARY AND CONFIDENTIAL

THE INFORMATION CONTAINED IN THIS DRAWING IS THE SOLE PROPERTY OF SPORTSFIELD SPECIALTIES INC. ANY REPRODUCTION IN PART OR AS A WHOLE WITHOUT THE WRITTEN PERMISSION OF SPORTSFIELD SPECIALTIES INC. IS PROHIBITED.

SUABRPL15 Stand Alone Bat Rack

Not To Scale

Sportsfield Specialties Inc 105732.1-221219



Specifications:
 Heavy Duty Aluminum Construction
 Minimal On-Site Assembly
 Powder Coated Finish, Standard Colors Available

PROPRIETARY AND CONFIDENTIAL

THE INFORMATION CONTAINED IN THIS DRAWING IS THE SOLE PROPERTY OF SPORTSFIELD SPECIALTIES INC. ANY REPRODUCTION IN PART OR AS A WHOLE WITHOUT THE WRITTEN PERMISSION OF SPORTSFIELD SPECIALTIES INC. IS PROHIBITED.

**SUABR15 Stand Alone Bat Rack
Direct Embed**

Not To Scale

Sportsfield Specialties Inc 105734.1-221219