



www.sportsfield.com | 888-975-3343

*Excellence from
Design to Installation*



Guard Rail Systems



Sportsfield Specialties, Inc. 41155 State Hwy 10. Delhi, NY 13753

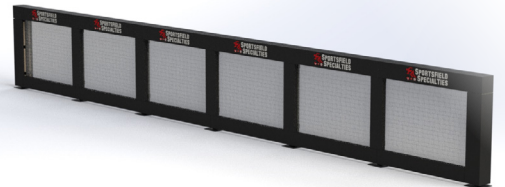


Excellence from Design to Installation

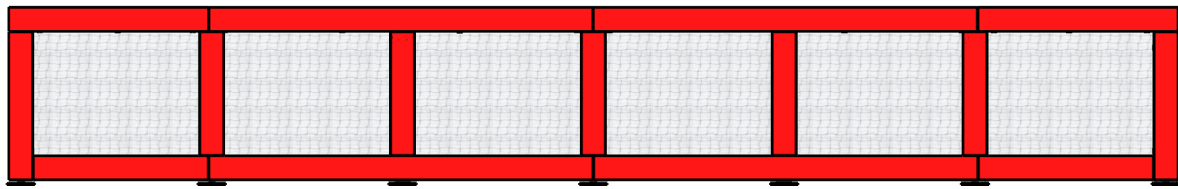
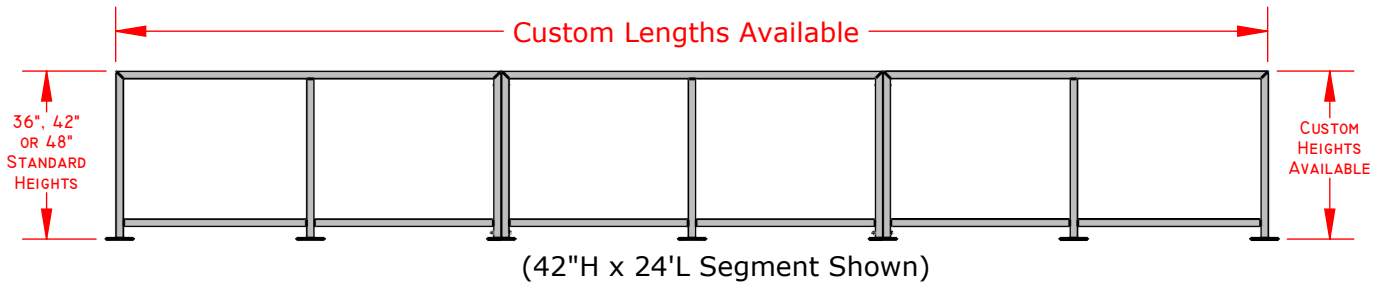
Guard Rail Systems

Product Overview

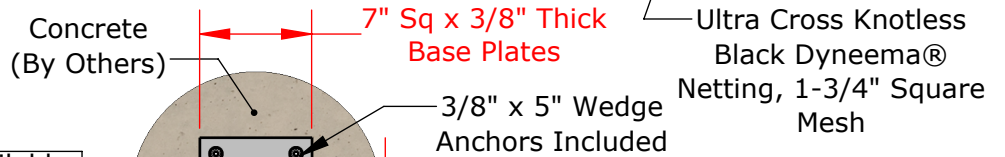
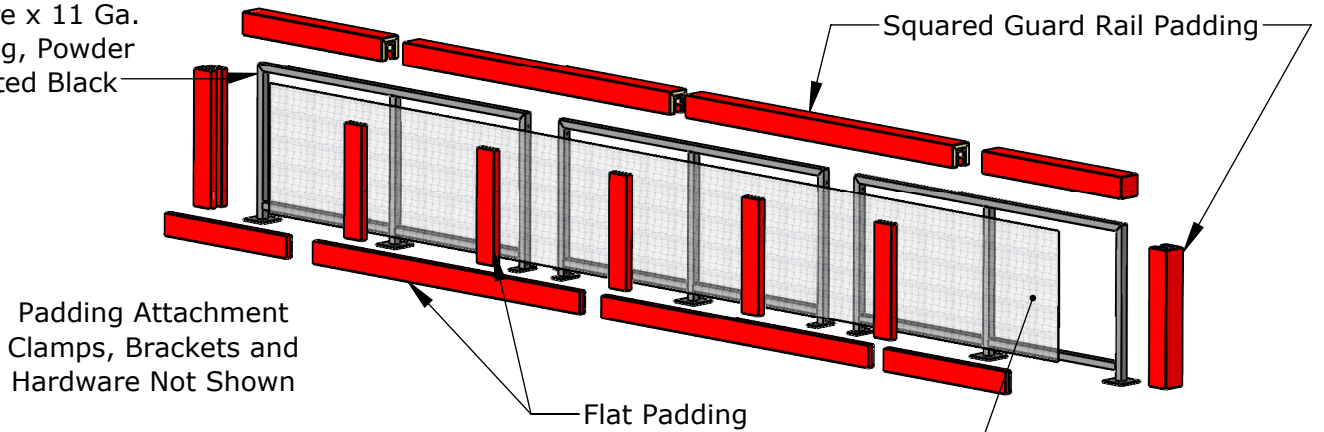
- Guard Rail Systems are modularized for professional aesthetics and ease of installation
- Super durable powder coated steel frames protected with squared guard rail and post pads
- Ultra Cross® Knotless Dyneema® netting provides a barrier without compromising visibility
- Surface mounted design allows for installation flexibility during construction and retro-fits
- A pre-engineered solution that eliminates site-built railings and custom pads/netting
- Customizable lengths available in standard heights of 36", 42", 48", 72" and 96"H
- Post and rail pads are available in a variety of standard vinyl colors
- Available with custom digitally printed graphics and lettering



Item Number	Product Description
GRS36	Guard rail system with steel structure, protective rail pads, and Ultra Cross® netting - 36"H
GRS42	Guard rail system with steel structure, protective rail pads, and Ultra Cross® netting - 42"H
GRS48	Guard rail system with steel structure, protective rail pads, and Ultra Cross® netting - 48"H
GRS72	Guard rail system with steel structure, protective rail pads, and Ultra Cross® netting - 72"H
GRS96	Guard rail system with steel structure, protective rail pads, and Ultra Cross® netting - 96"H



Modularized Steel Structure, Constructed Using 2" Square x 11 Ga. Tubing, Powder Coated Black



Various Standard Vinyl Colors Available, Optional Custom Digital Graphics and/or Lettering Available Upon Request

Structural Integrity and Capacity of Concrete Determined by Others

Part #	Height	Edge Distance
GRS36	36"	2-1/2"
GRS42	42"	3"
GRS48	48"	3-1/4"

Minimum Edge Distance Hold to Prevent Concrete Rupture (See Table)

5" Sq.

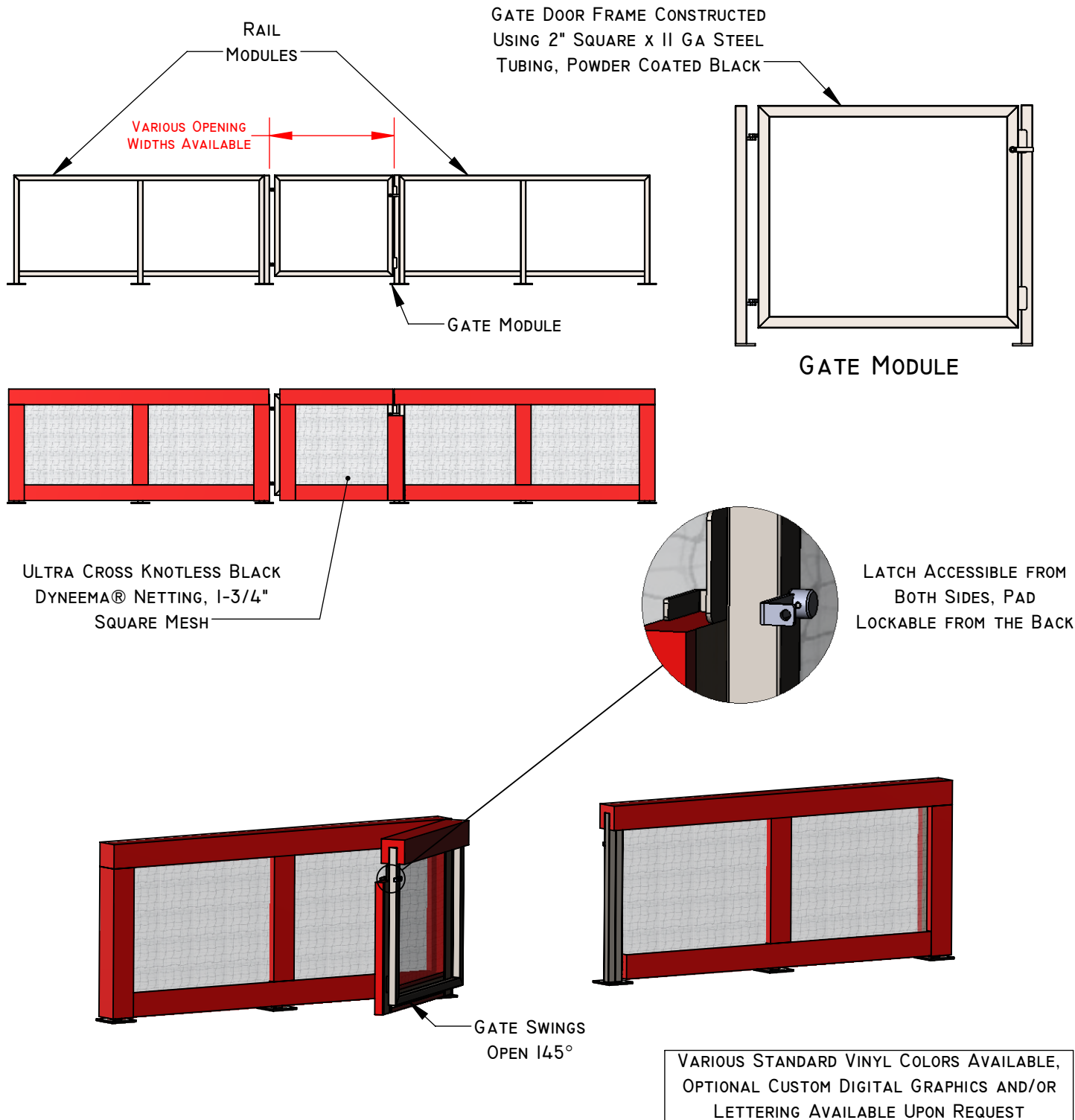
PROPRIETARY AND CONFIDENTIAL

THE INFORMATION CONTAINED IN THIS DRAWING IS THE SOLE PROPERTY OF SPORTSFIELD SPECIALTIES INC. ANY REPRODUCTION IN PART OR AS A WHOLE WITHOUT THE WRITTEN PERMISSION OF SPORTSFIELD SPECIALTIES INC. IS PROHIBITED.

GRS 3'H - 4'H Guard Rail Systems

Not To Scale

Sportsfield Specialties Inc 07012021



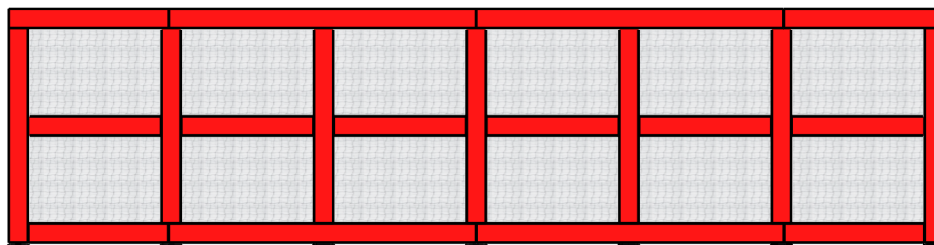
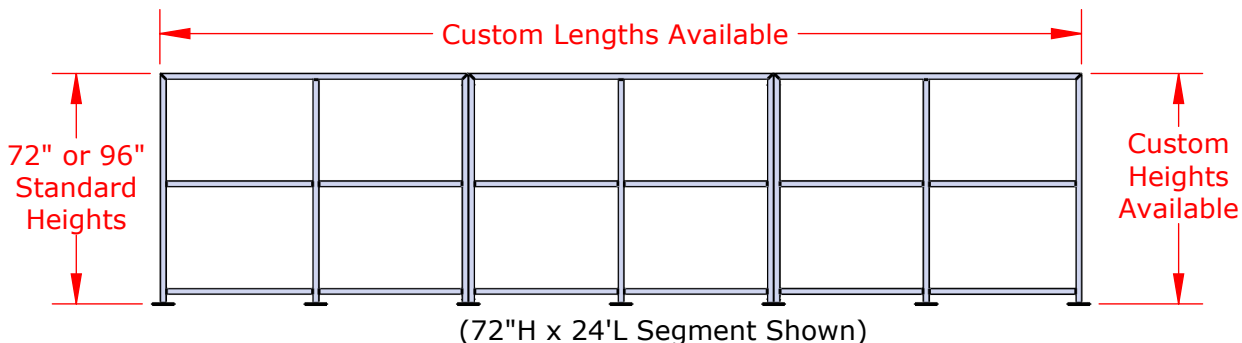
PROPRIETARY AND CONFIDENTIAL

THE INFORMATION CONTAINED IN THIS DRAWING IS THE SOLE PROPERTY OF SPORTSFIELD SPECIALTIES INC. ANY REPRODUCTION IN PART OR AS A WHOLE WITHOUT THE WRITTEN PERMISSION OF SPORTSFIELD SPECIALTIES INC. IS PROHIBITED.

SWING GATE FOR 3'H - 4'H GUARD RAIL SYSTEMS

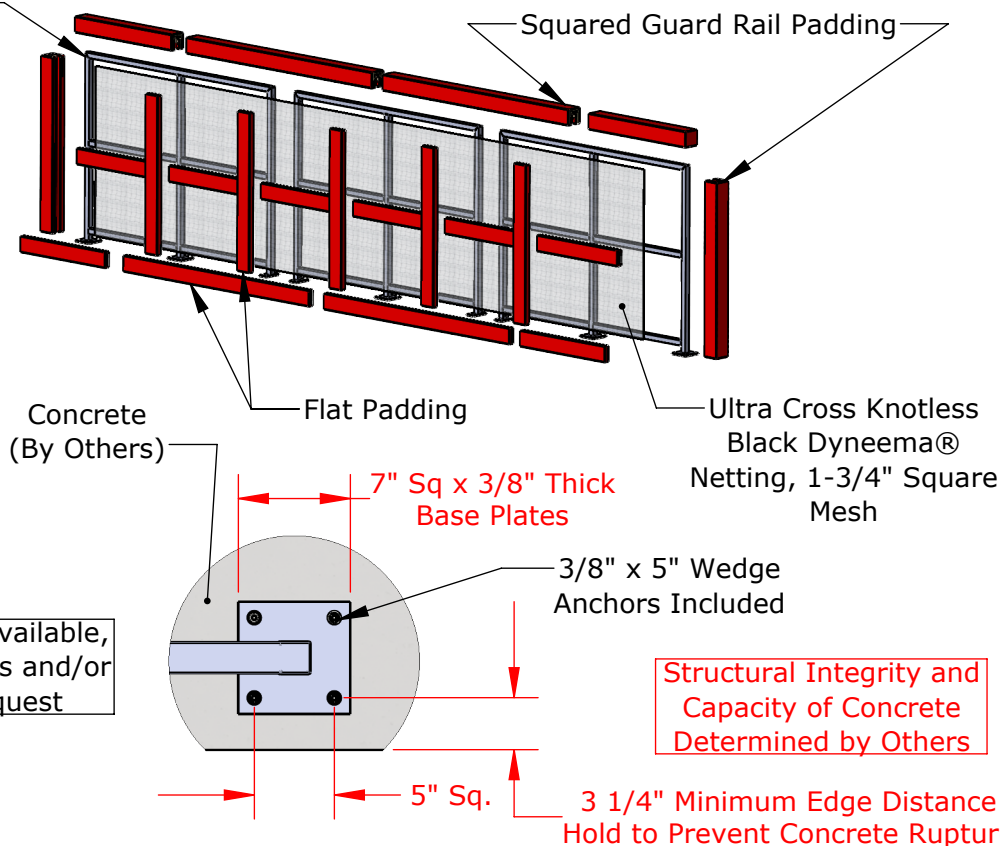
NOT TO SCALE

SPORTSFIELD SPECIALTIES INC 06192019



Modularized Steel Structure,
Constructed Using 2" Square
x 11 Ga. Tubing,
Powder Coated Black

Padding Attachment
Clamps, Brackets and
Hardware Not Shown



Various Standard Vinyl Colors Available,
Optional Custom Digital Graphics and/or
Lettering Available Upon Request

Structural Integrity and
Capacity of Concrete
Determined by Others

Part #	Height
GRS72	72"
GRS96	96"

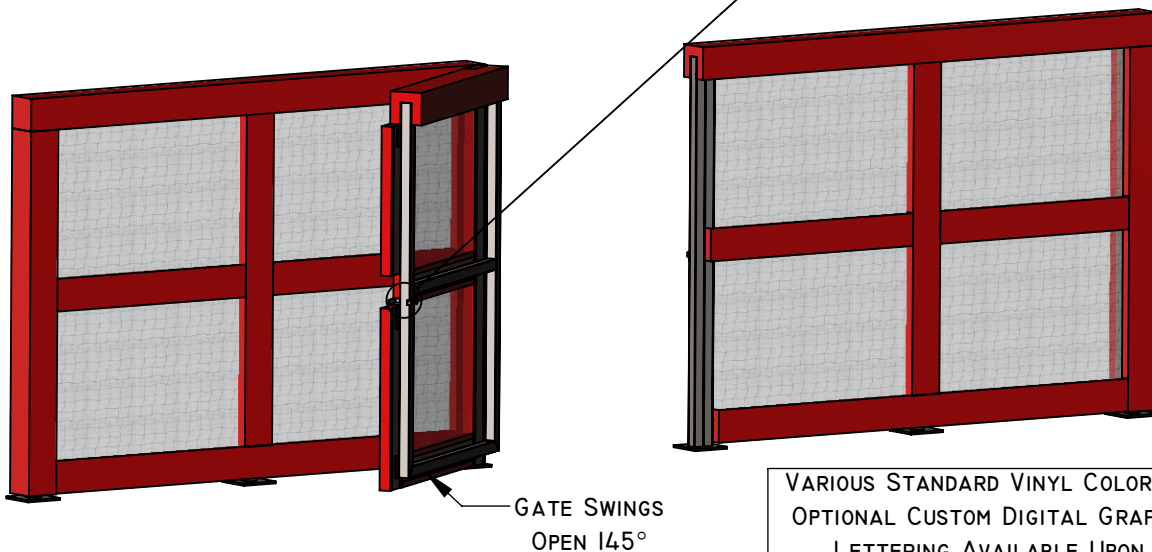
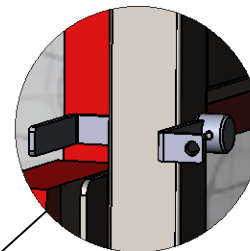
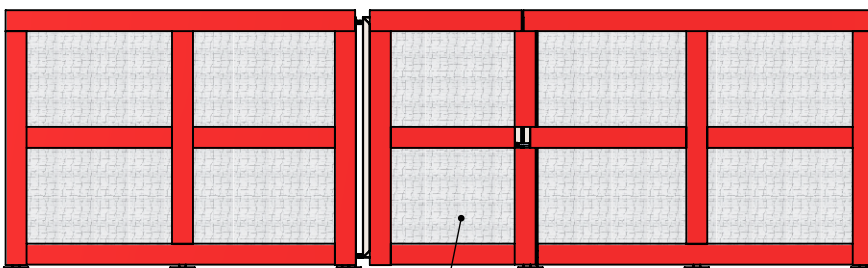
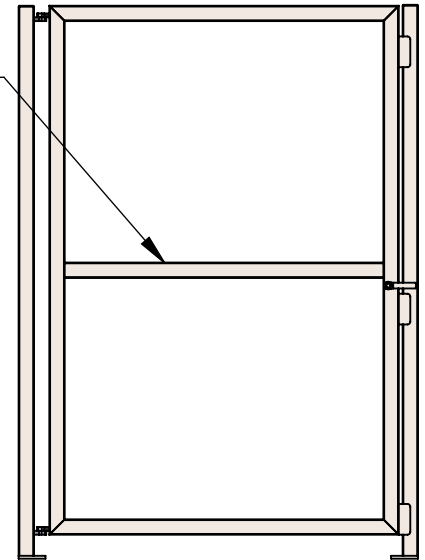
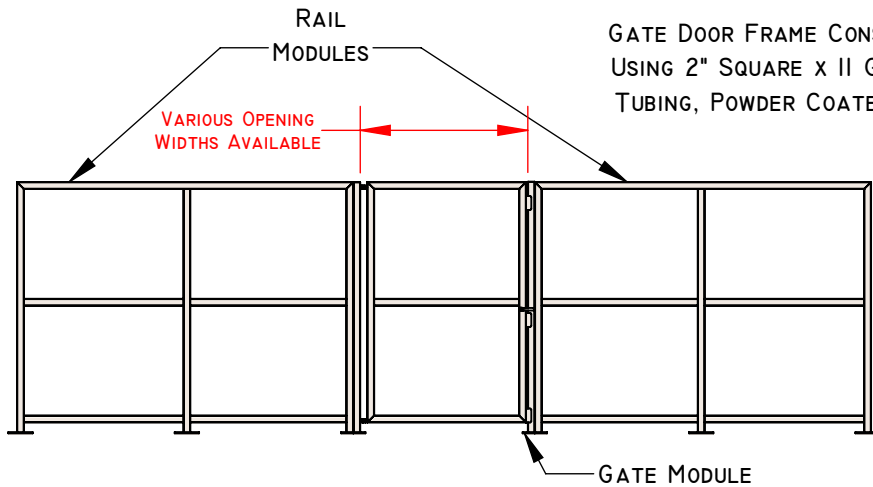
PROPRIETARY AND CONFIDENTIAL

THE INFORMATION CONTAINED IN
THIS DRAWING IS THE SOLE PROPERTY
OF SPORTSFIELD SPECIALTIES INC.
ANY REPRODUCTION IN PART OR AS A
WHOLE WITHOUT THE WRITTEN
PERMISSION OF SPORTSFIELD
SPECIALTIES INC. IS PROHIBITED.

GRS 6'H - 8'H Guard Rail Systems

Not To Scale

Sportsfield Specialties Inc 07012021



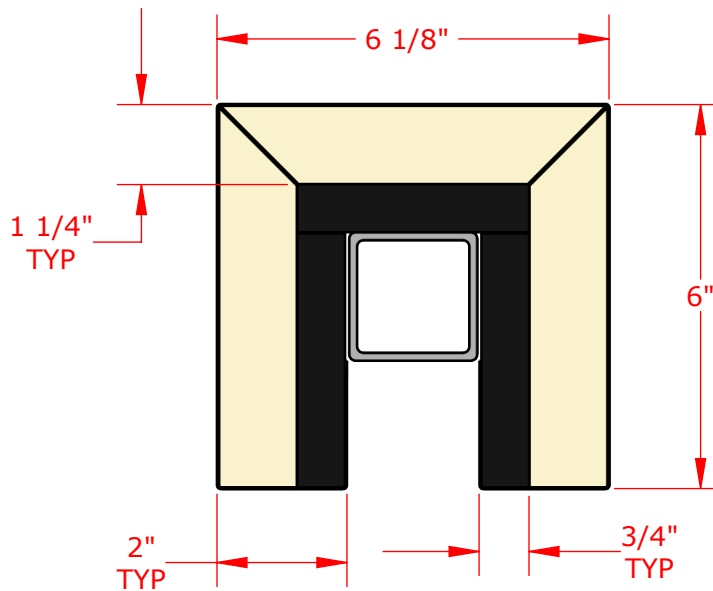
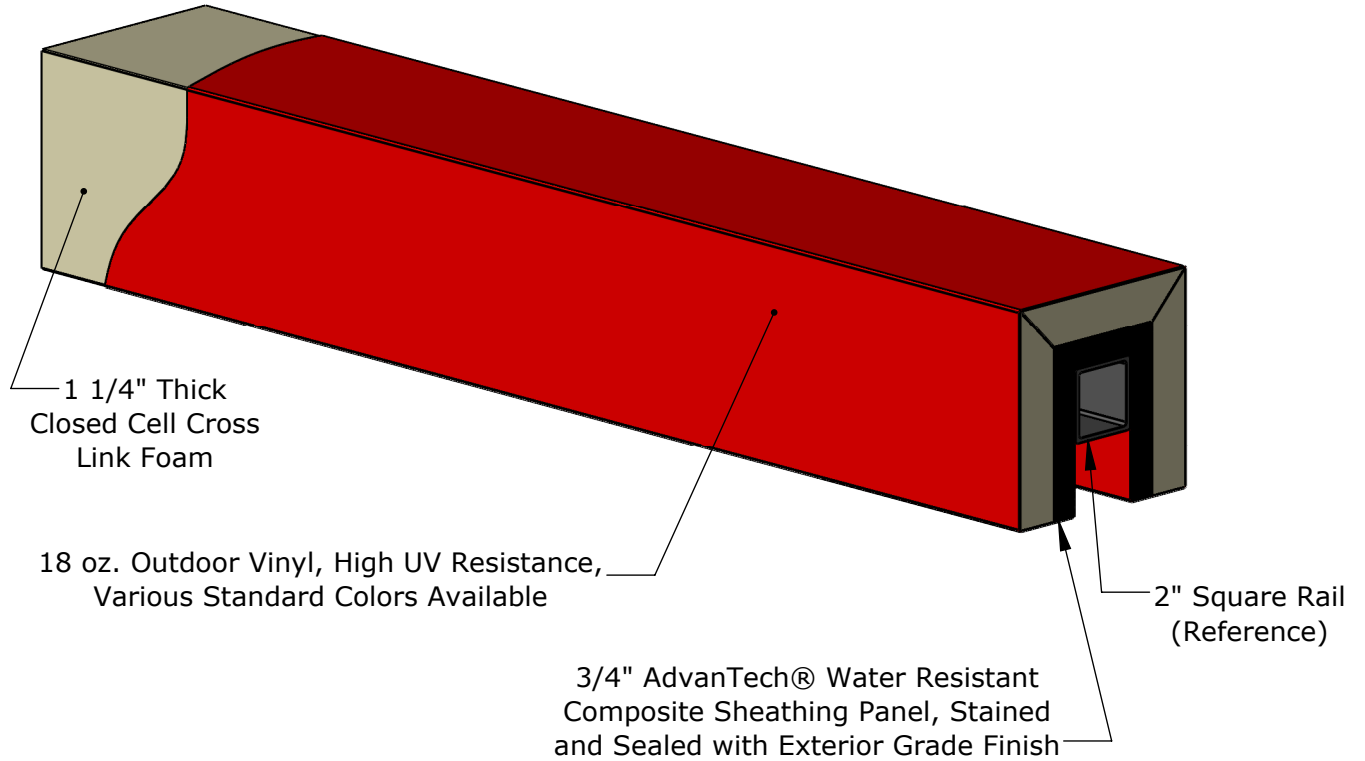
PROPRIETARY AND CONFIDENTIAL

THE INFORMATION CONTAINED IN THIS DRAWING IS THE SOLE PROPERTY OF SPORTSFIELD SPECIALTIES INC. ANY REPRODUCTION IN PART OR AS A WHOLE WITHOUT THE WRITTEN PERMISSION OF SPORTSFIELD SPECIALTIES INC. IS PROHIBITED.

SWING GATE FOR 6'H - 8'H GUARD RAIL SYSTEMS

NOT TO SCALE

SPORTSFIELD SPECIALTIES INC 06192019



Optional Custom Digital Graphics and/or Lettering Available Upon Request

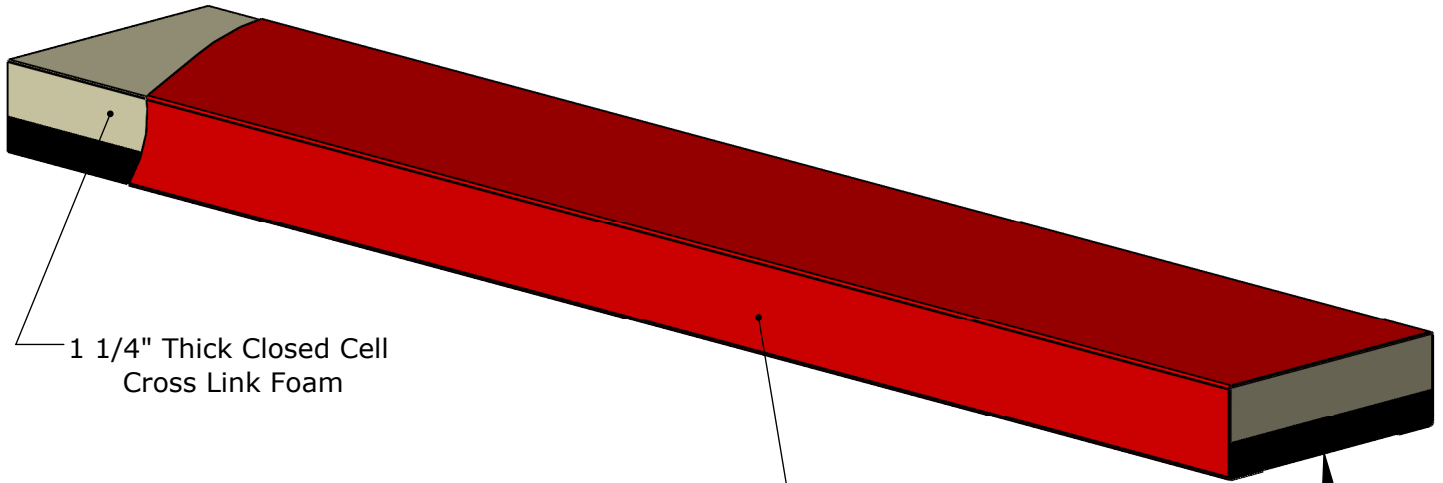
PROPRIETARY AND CONFIDENTIAL

THE INFORMATION CONTAINED IN THIS DRAWING IS THE SOLE PROPERTY OF SPORTSFIELD SPECIALTIES INC. ANY REPRODUCTION IN PART OR AS A WHOLE WITHOUT THE WRITTEN PERMISSION OF SPORTSFIELD SPECIALTIES INC. IS PROHIBITED.

Guard Rail System Squared Padding

Not To Scale

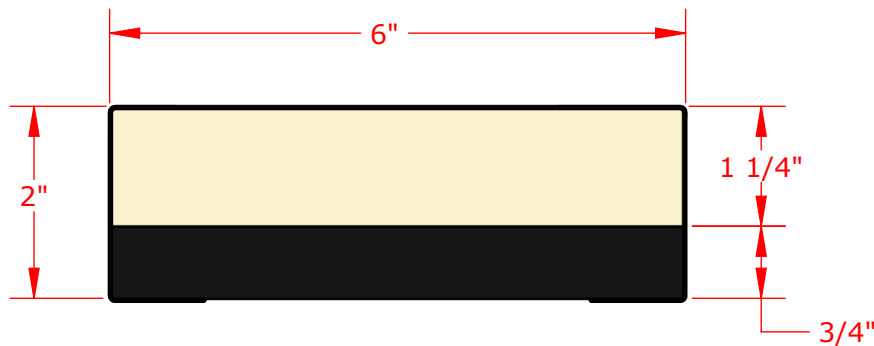
Sportsfield Specialties Inc 07012021



1 1/4" Thick Closed Cell Cross Link Foam

18 oz. Outdoor Vinyl, High UV Resistance, Various Standard Colors Available

3/4" AdvanTech® Water Resistant Composite Sheathing Panel, Stained and Sealed with Exterior Grade Finish



Optional Custom Digital Graphics and/or Lettering Available Upon Request

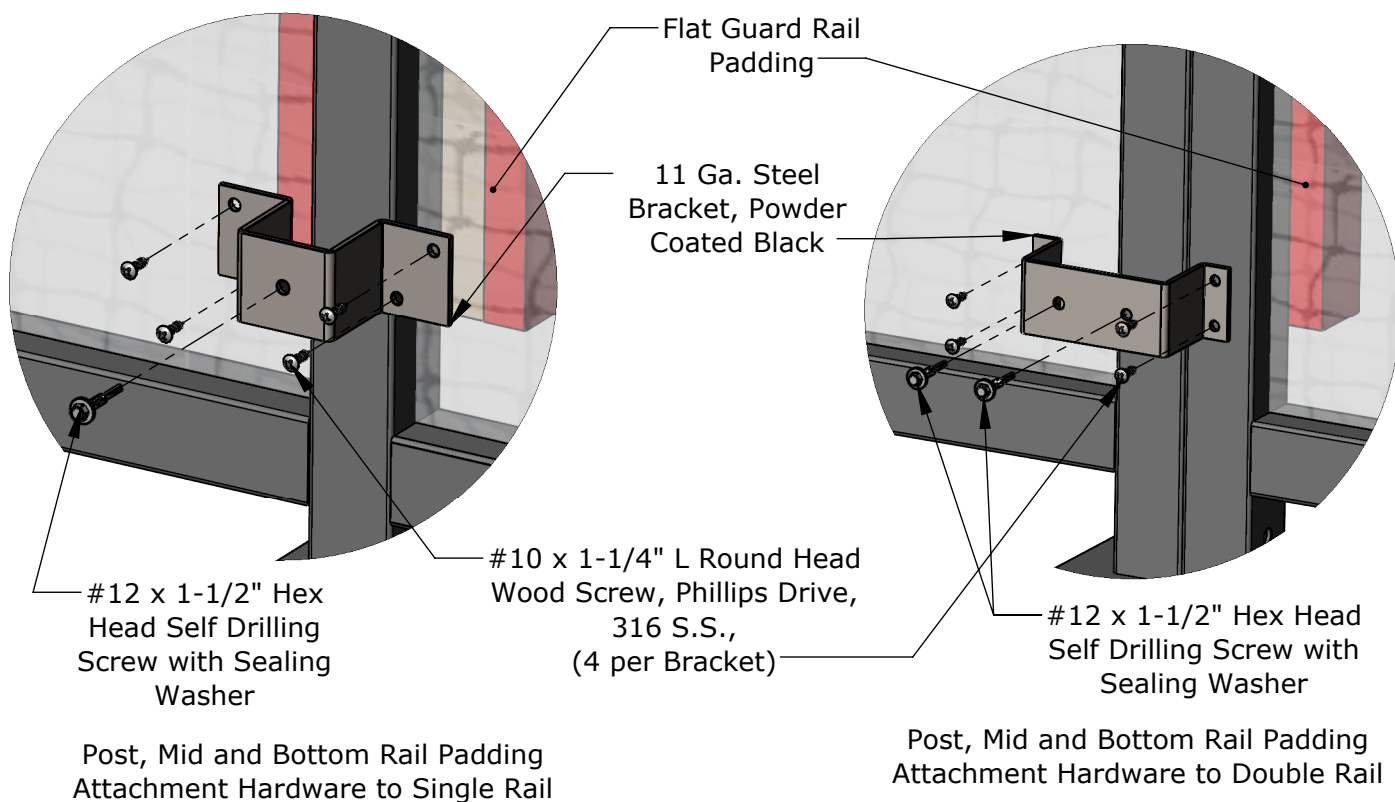
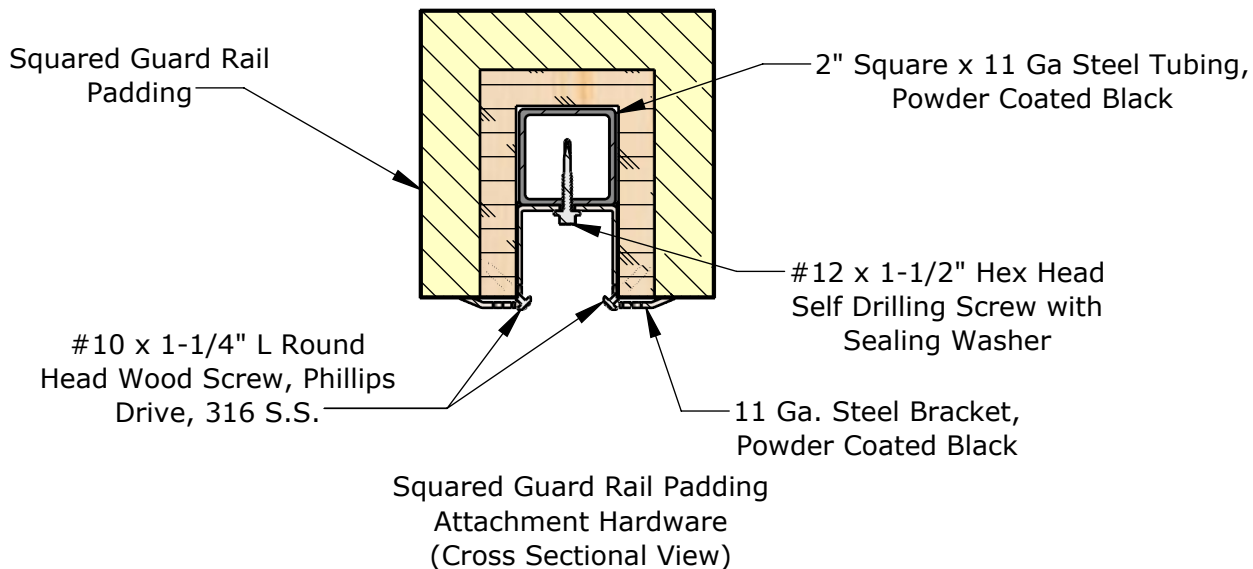
PROPRIETARY AND CONFIDENTIAL

THE INFORMATION CONTAINED IN THIS DRAWING IS THE SOLE PROPERTY OF SPORTSFIELD SPECIALTIES INC. ANY REPRODUCTION IN PART OR AS A WHOLE WITHOUT THE WRITTEN PERMISSION OF SPORTSFIELD SPECIALTIES INC. IS PROHIBITED.

Guard Rail System Flat Padding

Not To Scale

Sportsfield Specialties Inc 07012021



PROPRIETARY AND CONFIDENTIAL

THE INFORMATION CONTAINED IN THIS DRAWING IS THE SOLE PROPERTY OF SPORTSFIELD SPECIALTIES INC. ANY REPRODUCTION IN PART OR AS A WHOLE WITHOUT THE WRITTEN PERMISSION OF SPORTSFIELD SPECIALTIES INC. IS PROHIBITED.

Guard Rail System Padding Attachment

Not To Scale

Sportsfield Specialties Inc 07012021