



# SPORTSFIELD SPECIALTIES

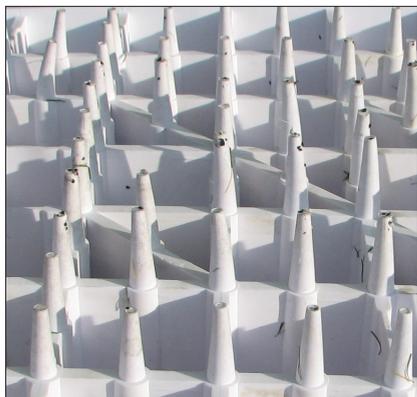
www.sportsfield.com | 888-975-3343

*Excellence from  
Design to Installation*



**Bases, Home Plates, & Pitching Rubbers**



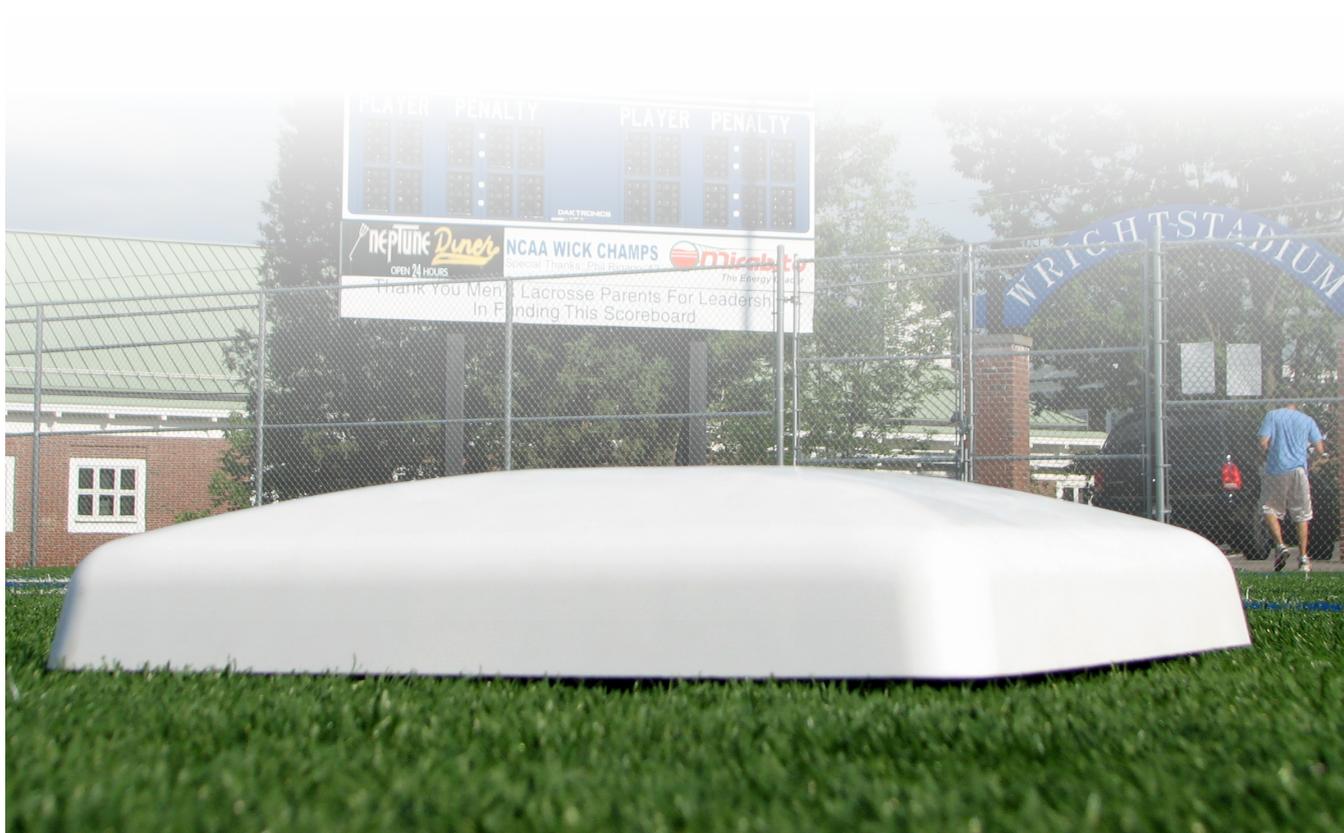
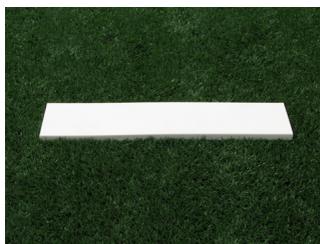


## TurfBase® Synthetic Turf Bases, Plates & Pitching Rubbers

### Product Overview

- Patented breakaway base designed specifically for synthetic Infill turf
- Ideal for multi-sport athletic fields, parks, and recreation facilities
- Molded pegs grip the infill material providing lateral stability underfoot
- Releases upon impact of a slide, complying with breakaway requirements
- Durable all rubber mesh reinforced construction with textured surface
- Does not require ground anchors, site-work, or concrete footings
- Official size and shape bases, home plates, and pitching rubbers
- U.S. Patent #8,337,340

Item Number	Product Description
TBS	TurfBase® synthetic turf base set
TBDS	TurfBase® synthetic turf double first base set
TBHP	TurfBase® synthetic turf home plate
TBPR	TurfBase® synthetic turf pitching rubber





**NEW!** Home Plate Forming System (Patent Pending)



### Product Overview

- Designed specifically for dedicated synthetic infill turf installations
- Stay-in-place concrete forming system simplifies installation
- Height adjustability ensures a flush transition with surrounding surface
- Synthetic turf attachment eliminates peeling from repetitive sliding
- Includes replaceable SHSRHP Schutt® Hollywood Bury All Home Plate
- U.S. Patent Pending

Item Number	Product Description
HPFS	Home plate forming system for synthetic turf
HPFSCP	Home plate forming system cover plug

## Schutt® / Hollywood Bases, Plates & Pitching Rubbers



### Product Overview

- Official base of Major League Baseball for over 70 years!
- Base design has extended and tapered lip that virtually eliminates edge turn
- Engineered to better withstand bad weather and includes special UV inhibitors
- 4-sided pitching rubbers feature ultra-strong molded rubber construction
- Choose from a variety of standard base, home plate, and pitching rubber models
- Additional Schutt® / Hollywood field equipment available upon request

Item	Product Description
SHBBPLSET	Schutt® Original Jack Corbett® MLB® Hollywood base set (set of 3)
SHIBL	Schutt® Hollywood Impact® bases (set of 3)
SHIBD	Schutt® Hollywood Impact® double first bases (set of 3)
SHBBP-44	Schutt® ground anchor mounts, 1-3/4" sq. x 8" (set of 3)
SHBBP-64	Schutt® mushroom anchor plugs (set of 3)
SH12916590	Schutt® foam anchor plug with indicator (sold individually)
SHP-UM	Schutt® Hollywood MLB® pro style universal home plate
SHP-PS	Schutt® Pro Home Plate with ground anchor
SHSRHP	Schutt® Hollywood Bury All home plate
SHP-RBA	Schutt® Bury All rubber home plate
SHBBPB	Schutt® Hollywood MLB® official size 4-sided professional pitching rubber, 6" x 24"
SHSPR-4SO	Schutt® official size 4-sided professional pitching rubber, 6" x 24"
SHLBMPR224	Schutt® Hollywood official size dual stanchion pitching rubber, 6" x 24"
SHSPR-SD	Schutt® official size step down pitching rubber, 6" x 24"
SHSPR-4SY	Schutt® youth size 4-sided pitching rubber, 4" x 18"
SHLBMPR218	Schutt® Hollywood youth size dual stanchion pitching rubber, 4" x 18"

## Synthetic Turf Access Frame Kits



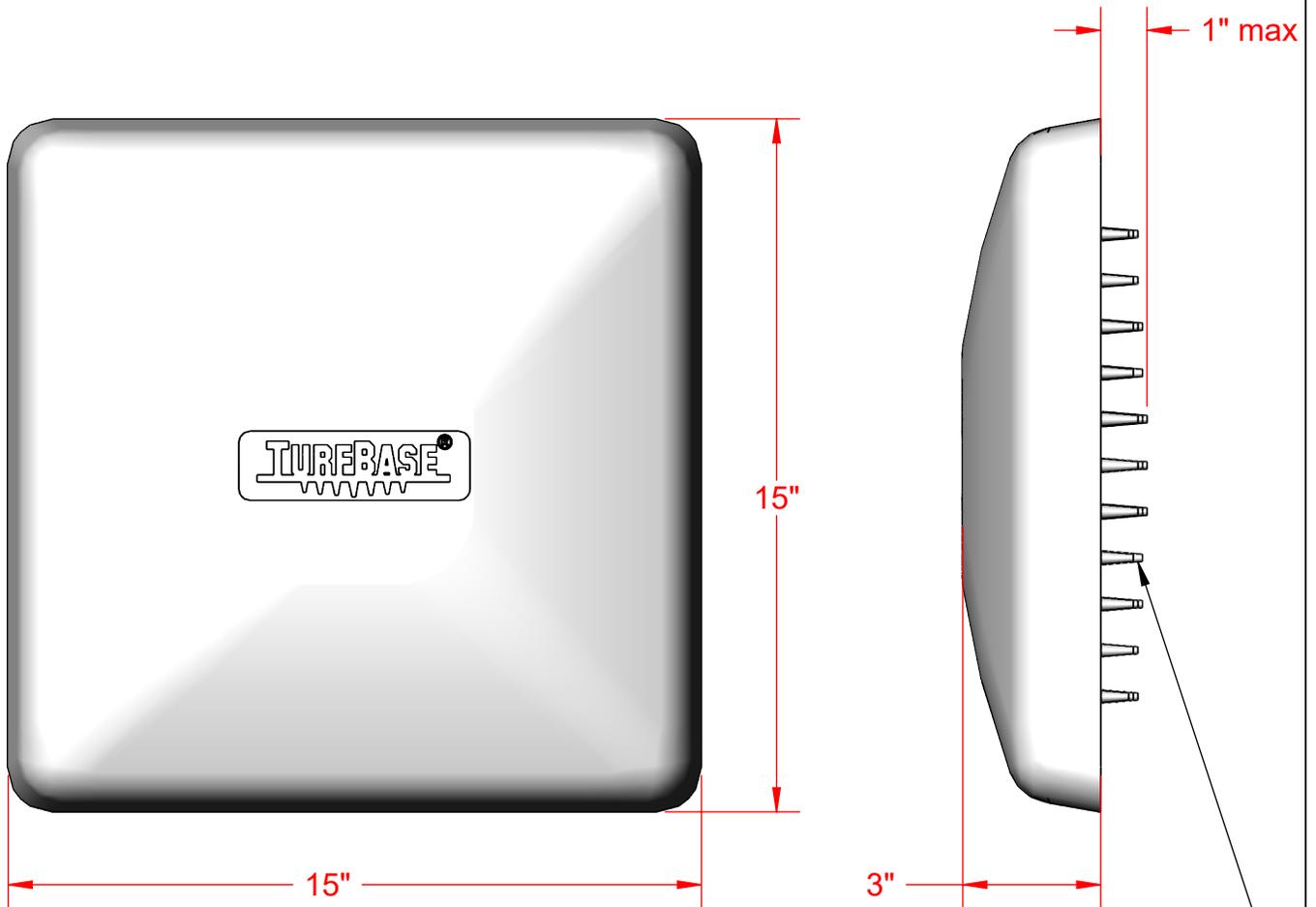
### Product Overview

- Improves synthetic turf interface to create a seamless multi-use playing surface
- Designed specifically for ground anchors installed within synthetic infill turf
- Includes exclusive infill retainage gasket and perimeter turf attachment ledge
- Durable aluminum constructed frame and solid cover plug
- Integrated 1" PVC drain stub for positive drainage connection
- For use with ground anchored bases, home plates, and pitching rubbers
- Note: synthetic turf and infill material applied by others

Item Number	Product Description
SHAFIT	Schutt® Hollywood anchor access frame kit with infill retainer system for synthetic turf
SHAFPRIT	Schutt® Hollywood dual anchor access frame kit with infill retainer system for synthetic turf



United States Patent #8,337,340, Issued December 25, 2012



Specially designed molded pegs grip the turf and infill material preventing lateral movement

- \* Designed specifically for synthetic turf applications
- \* No ground anchor installation is necessary
- \* Durable all rubber mesh reinforced construction
- \* Official size - Set of 3

**PROPRIETARY AND CONFIDENTIAL**

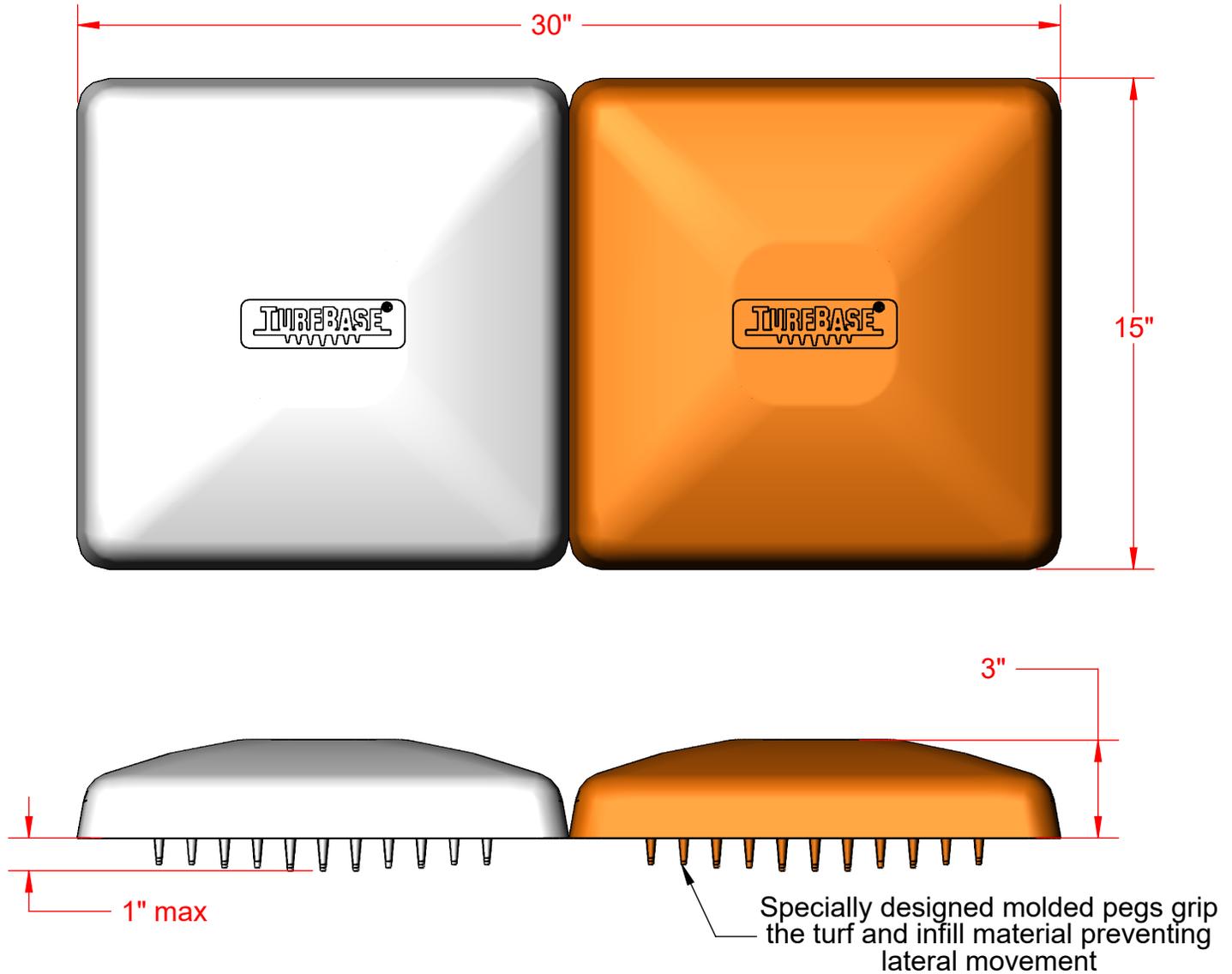
THE INFORMATION CONTAINED IN THIS DRAWING IS THE SOLE PROPERTY OF SPORTSFIELD SPECIALTIES INC. ANY REPRODUCTION IN PART OR AS A WHOLE WITHOUT THE WRITTEN PERMISSION OF SPORTSFIELD SPECIALTIES INC. IS PROHIBITED.

**TBS - TurfBase® Base**

Not To Scale

Sportsfield Specialties Inc 105880.1-221227

United States Patent #8,337,340, Issued December 25, 2012



- \* Designed specifically for synthetic turf applications
- \* No ground anchor installation is necessary
- \* Durable all rubber mesh reinforced construction
- \* Official size - (1) double first base and (2) TurfBase Bases

**PROPRIETARY AND CONFIDENTIAL**

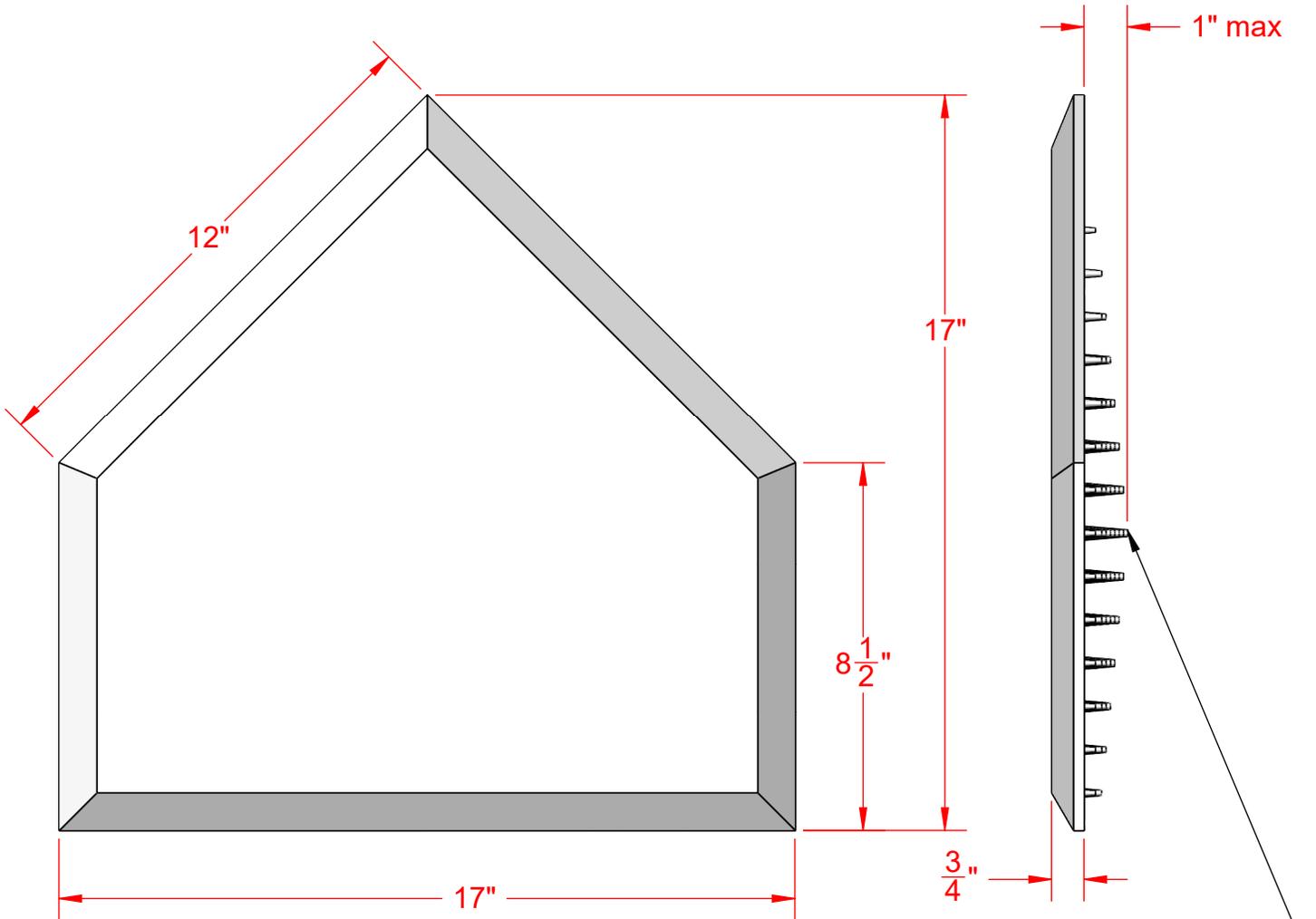
THE INFORMATION CONTAINED IN THIS DRAWING IS THE SOLE PROPERTY OF SPORTSFIELD SPECIALTIES INC. ANY REPRODUCTION IN PART OR AS A WHOLE WITHOUT THE WRITTEN PERMISSION OF SPORTSFIELD SPECIALTIES INC. IS PROHIBITED.

**TBDS - TurfBase® Double Base**

Not To Scale

Sportsfield Specialties Inc 105879.1-221227

United States Patent #8,337,340, Issued December 25, 2012



Specially designed molded pegs grip the turf and infill material preventing lateral movement

- \* Designed specifically for synthetic turf applications
- \* No ground anchor installation is necessary
- \* Durable all rubber mesh reinforced construction
- \* Official size

**PROPRIETARY AND CONFIDENTIAL**

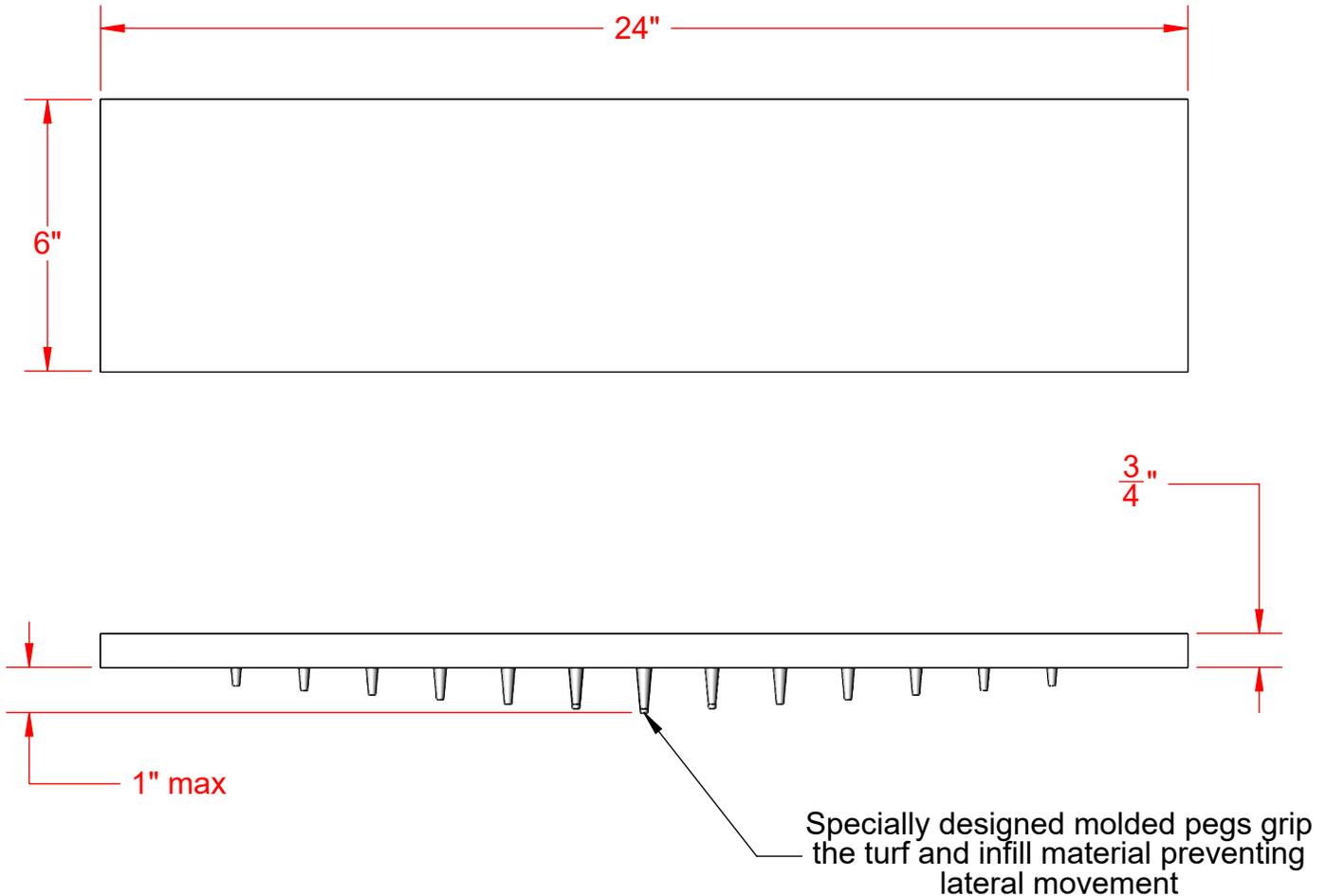
THE INFORMATION CONTAINED IN THIS DRAWING IS THE SOLE PROPERTY OF SPORTSFIELD SPECIALTIES INC. ANY REPRODUCTION IN PART OR AS A WHOLE WITHOUT THE WRITTEN PERMISSION OF SPORTSFIELD SPECIALTIES INC. IS PROHIBITED.

**TBHP - TurfBase® Home Plate**

Not To Scale

Sportsfield Specialties Inc 105878.1-221227

United States Patent #8,337,340, Issued December 25, 2012



- \* Designed specifically for synthetic turf applications
- \* No ground anchor installation is necessary
- \* Durable all rubber mesh reinforced construction
- \* Official size - 6" x 24"

**PROPRIETARY AND CONFIDENTIAL**

THE INFORMATION CONTAINED IN THIS DRAWING IS THE SOLE PROPERTY OF SPORTSFIELD SPECIALTIES INC. ANY REPRODUCTION IN PART OR AS A WHOLE WITHOUT THE WRITTEN PERMISSION OF SPORTSFIELD SPECIALTIES INC. IS PROHIBITED.

## TBPR - TurfBase® Pitching Rubber

Not To Scale

Sportsfield Specialties Inc 105877.1-221227



- SET OF THREE (3) BASES WITH GROUND ANCHORS AND ANCHOR PLUGS
- OFFICIAL SIZE, PRO STYLE JACK CORBETT® MLB® HOLLYWOOD BASE® FOR ADVANCED LEVELS OF PLAY
- 15" x 15" x 3" WITH SIX INCH (6") STANCHIONS
- 34LB. SHIPPING WEIGHT
- EXTENDED TAPERED LIP REDUCES EDGE "TURN-UP"
- WEATHER RESISTANT WITH SPECIAL ULTRAVIOLET INHIBITORS
- 1200 LB. TENSILE STRENGTH TO PREVENT CUTS AND TEARS

SHBBPL JACK CORBETT® MLB® HOLLYWOOD BASES®



- HOLLYWOOD IMPACT BASES; SET OF THREE (3)
- PREMIUM, PROFESSIONAL CONSTRUCTION WITH PATENTED CHEVRON DESIGN
- ADVANCED DESIGN COMPRESSES UPON IMPACT
- REGULATION SIZE: 15" x 15" x 2-1/2"
- INCLUDES 6" BASE STANCHIONS
- GROUND ANCHOR MOUNTS AND BASE PLUGS SOLD SEPARATELY

## SHIBL SCHUTT® HOLLYWOOD IMPACT BASE



- UNIQUE DESIGN COMPRESSES UPON IMPACT
- ONE-PIECE MOLDED BASE - WILL NOT SEPARATE
- PATENTED CHEVRON DESIGN ON UNDERSIDE OF BASES
- 30" x 15" x 2 1/2" WITH FOUR INCH (4") STANCHIONS
- INCLUDES TWO (2) IMPACT® BASES AND ONE (1) DOUBLE FIRST BASE
- GROUND ANCHORS AND ANCHOR PLUGS SOLD SEPARATELY
- 47 LB. SHIPPING WEIGHT

## SHIBD HOLLYWOOD IMPACT® DOUBLE FIRST BASE SET

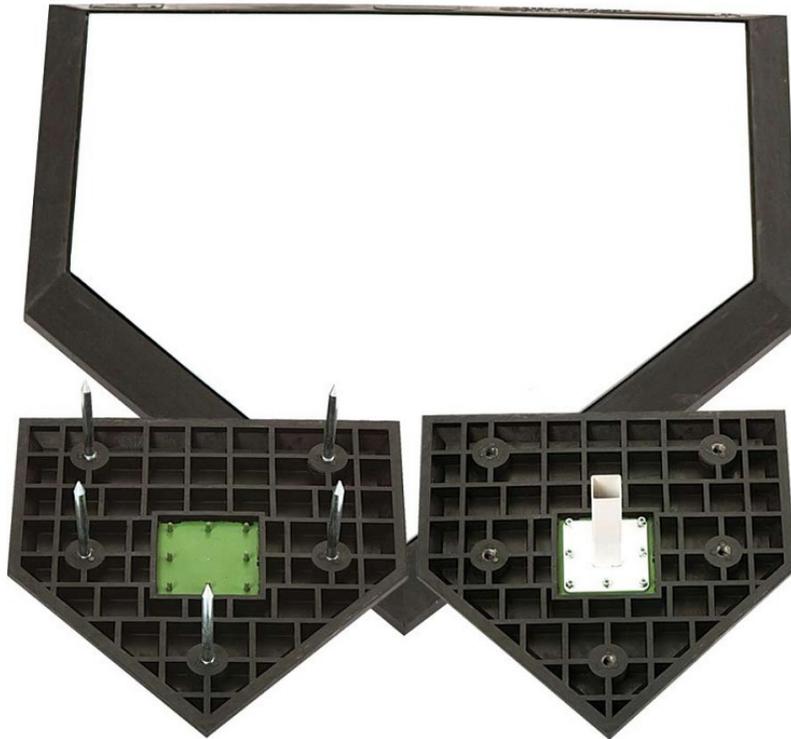


- EIGHT INCH (8") FEMALE GROUND ANCHORS
- SET OF THREE (3)
- 1 3/4" SQUARE
- CLEANS EASILY WITH SCHUTT DIGOUT TOOL
- 5 LB. SHIPPING WEIGHT

## SHBBP-44 GROUND ANCHOR MOUNTS

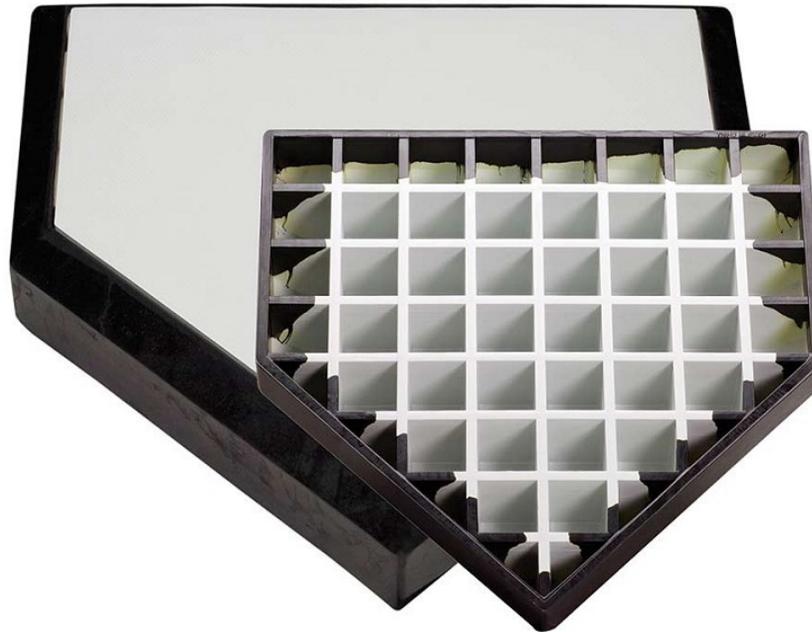


- ORANGE MUSHROOM PLUG FOR SCHUTT® GROUND ANCHOR MOUNT
- EASY TO INSTALL AND REMOVE
- SET OF THREE (3)



- OFFICIAL SIZE HOLLYWOOD MLB® UNIVERSAL PRO STYLE HOME PLATE WITH SEVEN INCH (7") STANCHION WITH ONE (1) GROUND ANCHOR AND ONE (1) ANCHOR PLUG AND FIVE (5) ZINC-PLATED MOUNTING SPIKES
- 1 1/2" THICK
- 18 LB. SHIPPING WEIGHT
- PERMANENT OR REMOVABLE INSTALLATIONS
- HIGH DURABILITY MOLDED RUBBER CONSTRUCTION

SHP-UM HOLLYWOOD MLB®  
UNIVERSAL PRO STYLE HOME PLATE



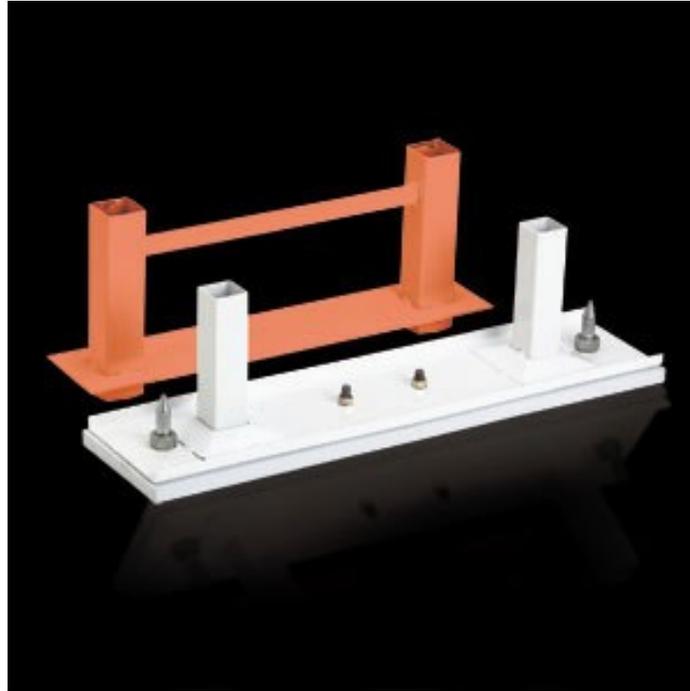
- OFFICIAL SIZE BURY-ALL HOME PLATE
- THREE INCH (3") THICK, MAXIMUM STRENGTH ALL RUBBER CONSTRUCTION, NON-SKID SURFACE
- NO CORNERS OR EDGES TO CATCH SPIKES
- WATERPROOF AND DESIGNED NOT TO DETERIORATE UNDER ADVERSE WEATHER CONDITIONS
- PERMANENT INSTALLATION
- 24 LB. SHIPPING WEIGHT

SHSRHP SCHUTT® BURY-ALL HOME PLATE



- OFFICIAL SIZE 24" LONG BY 6" WIDE FOUR (4) SIDED PROFESSIONAL PITCHING RUBBER
- DESIGNED TO BE ROTATED IN THE PLAYING SURFACE FOR CONTINUAL USE AND LONGEVITY
- ULTRA-DURABLE MOLDED RUBBER CONSTRUCTION AROUND AN ALUMINUM CYLINDRICAL TUBE LINING TO BE FILLED WITH DIRT OR CONCRETE IN THE FIELD FOR ADDED STRENGTH AND STABILITY
- 22 LB. SHIPPING WEIGHT

SHBBPB FOUR (4) SIDED PROFESSIONAL PITCHING RUBBER



- HOLLYWOOD DUAL STANCHION REMOVABLE PITCHING RUBBER
- INCLUDES REGULATION 6" X 24" PITCHING RUBBER AND DUAL STANCHION GROUND ANCHOR
- GROUND ANCHOR PLUGS SOLD SEPARATELY

Patent Pending

Synthetic Turf  
 Provided by and  
 Installed by Others

3/8" Perforated  
 Drainage Holes

1-1/4"H Flexible  
 Gasket Seals

Cover Plug,  
 Aluminum Construction  
 with Gasket Seal and  
 Anchor Insert

The SHAFIT is Used to  
 Anchor Either a  
 Stanchion Single Base or  
 Stanchion Home Plate

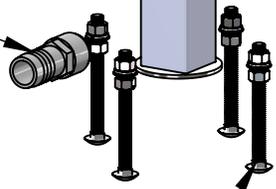
Synthetic Infill Turf  
 Attachment Ledge

Access Frame  
 1/8" Aluminum  
 with Open Bottom

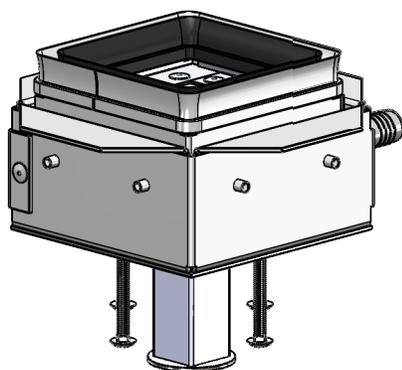
Stanchion Support Tube

Anchor  
 Base

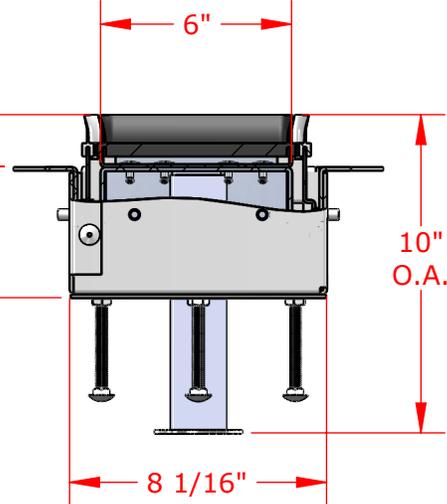
1" PVC Drain Stub For  
 Positive Connection  
 To Subsurface  
 Drainage System  
 (Installed By Others)



Anchor  
 Bolts



1 5/8"



10"  
 O.A.

4 1/8"

8 1/16"

**PROPRIETARY AND CONFIDENTIAL**

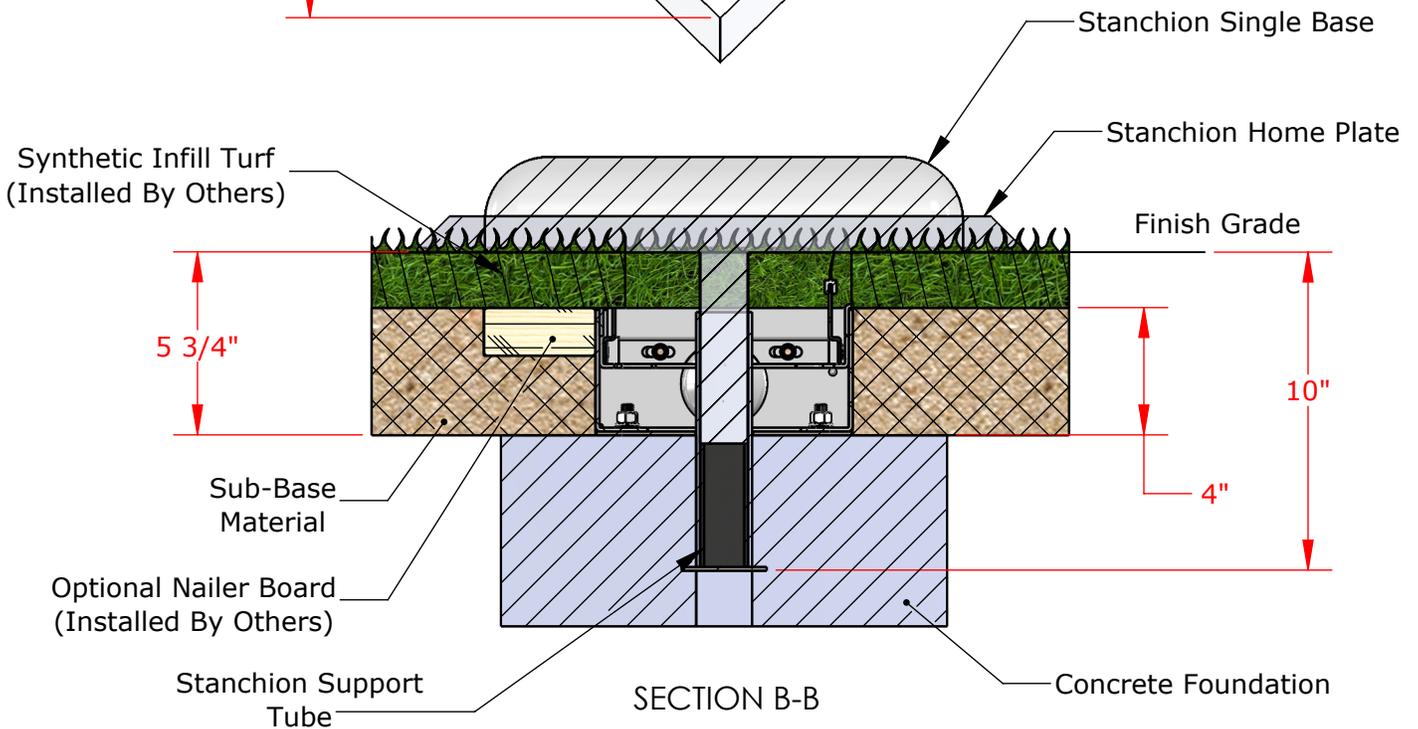
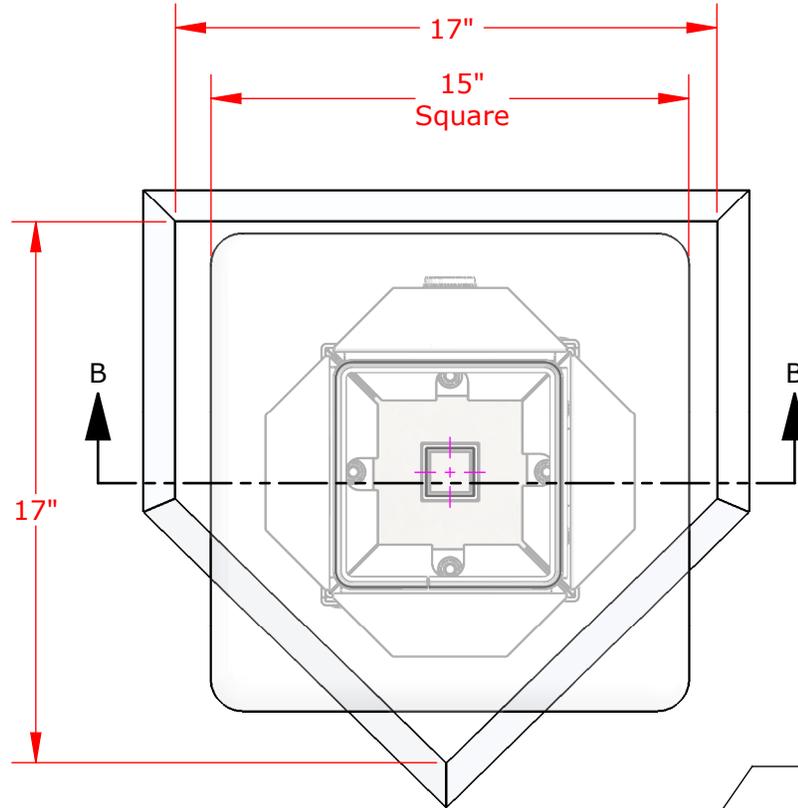
THE INFORMATION CONTAINED IN THIS DRAWING IS THE SOLE PROPERTY OF SPORTSFIELD SPECIALTIES INC. ANY REPRODUCTION IN PART OR AS A WHOLE WITHOUT THE WRITTEN PERMISSION OF SPORTSFIELD SPECIALTIES INC. IS PROHIBITED.

**SHAFIT Schutt/Hollywood Anchor Access Frame  
 with Infill Retainer System for Synthetic Turf Applications**

Not To Scale

Sportsfield Specialties Inc 02182021

Patent Pending



**PROPRIETARY AND CONFIDENTIAL**

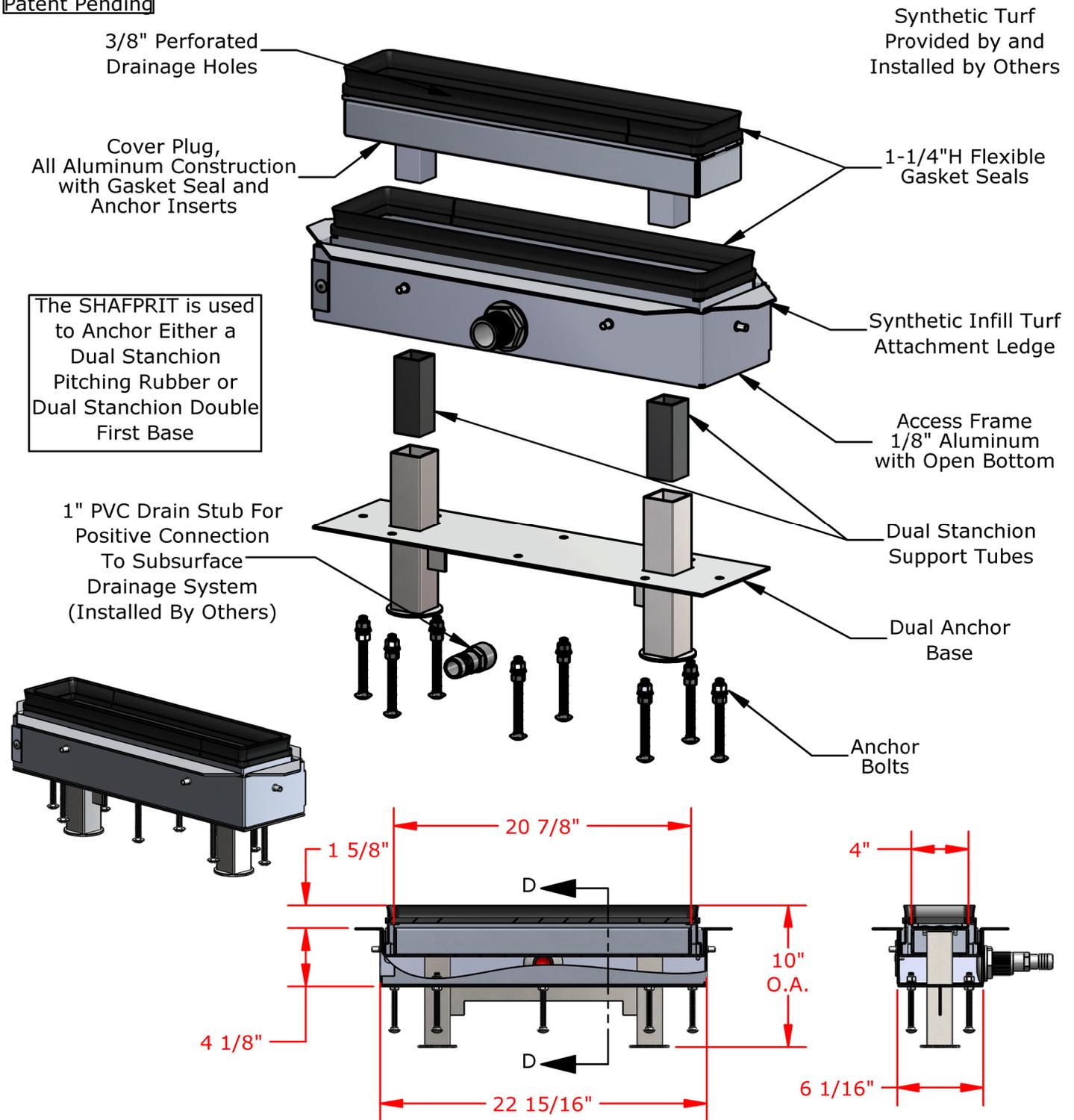
THE INFORMATION CONTAINED IN THIS DRAWING IS THE SOLE PROPERTY OF SPORTSFIELD SPECIALTIES INC. ANY REPRODUCTION IN PART OR AS A WHOLE WITHOUT THE WRITTEN PERMISSION OF SPORTSFIELD SPECIALTIES INC. IS PROHIBITED.

**SHAFIT Schutt/Hollywood Anchor Access Frame with Infill Retainer System for Synthetic Turf Applications**

Not To Scale

Sportsfield Specialties Inc 02182021

Patent Pending



PROPRIETARY AND CONFIDENTIAL

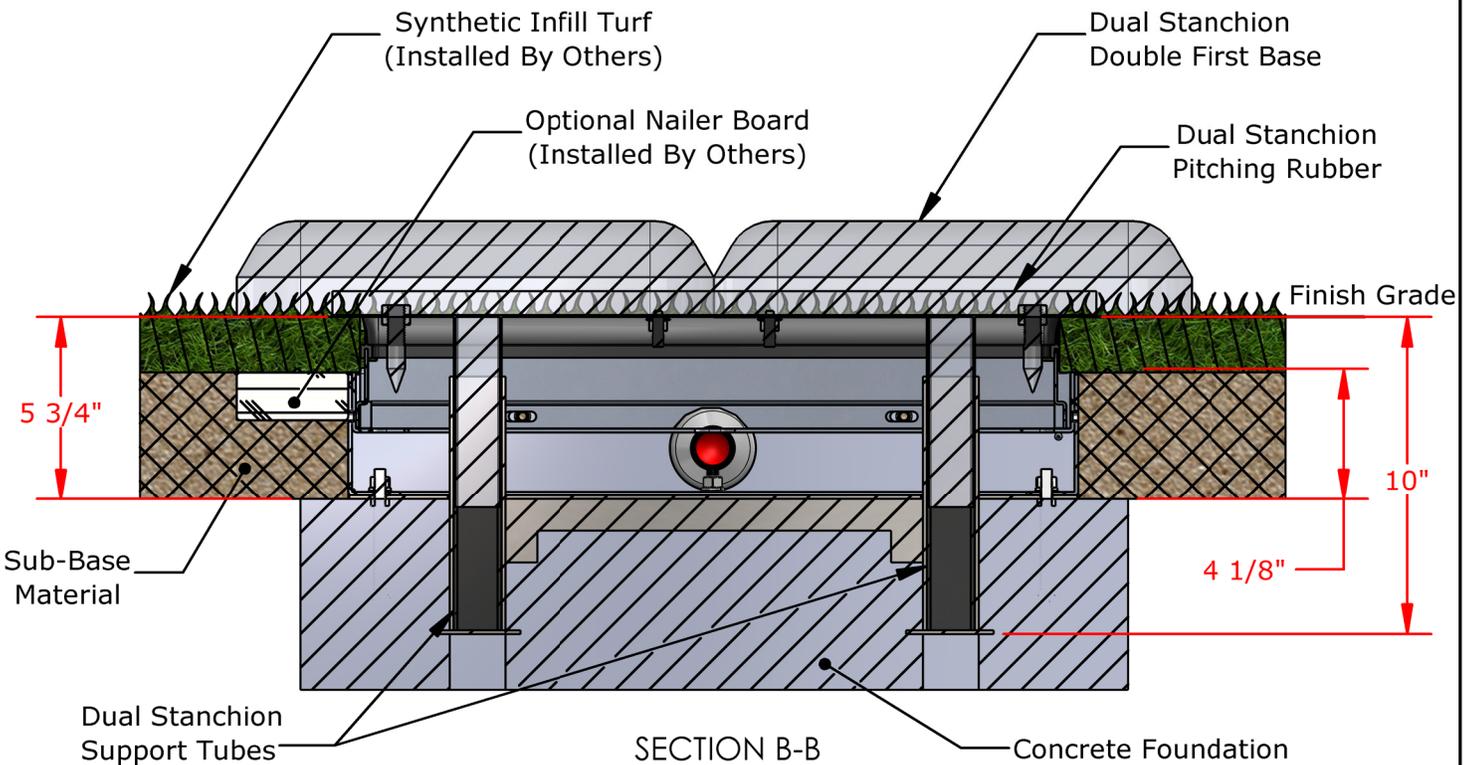
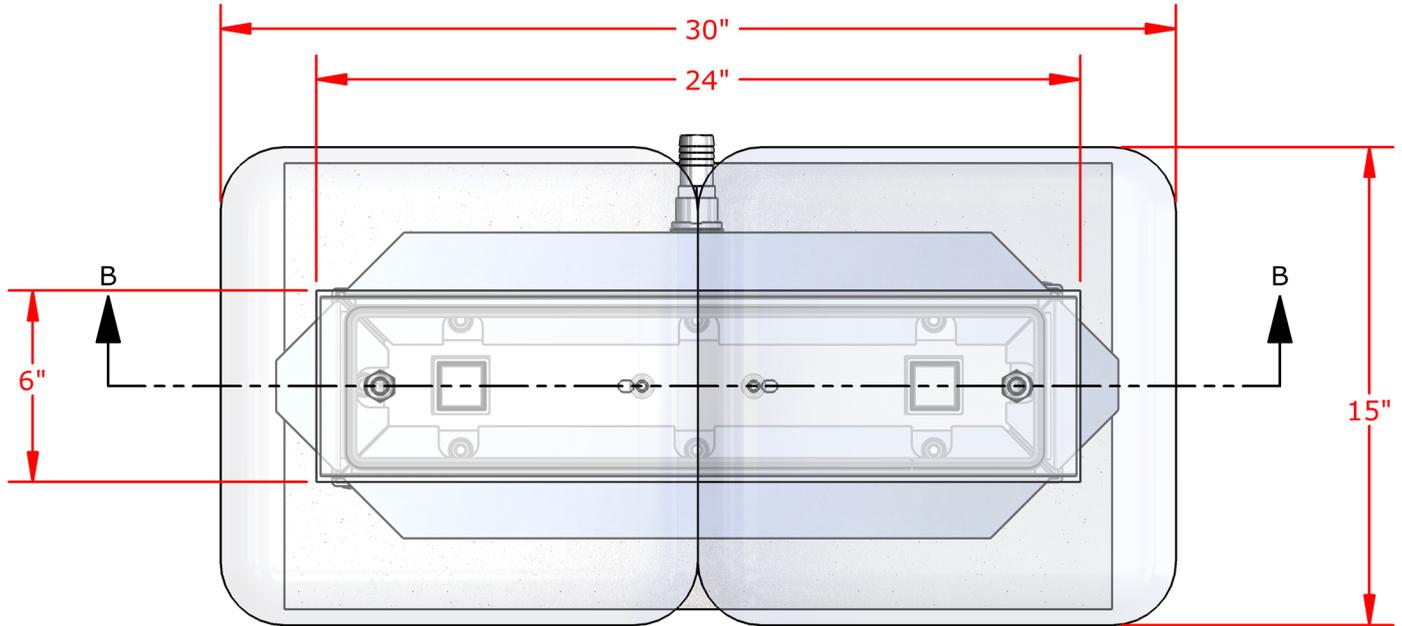
THE INFORMATION CONTAINED IN THIS DRAWING IS THE SOLE PROPERTY OF SPORTSFIELD SPECIALTIES INC. ANY REPRODUCTION IN PART OR AS A WHOLE WITHOUT THE WRITTEN PERMISSION OF SPORTSFIELD SPECIALTIES INC. IS PROHIBITED.

SHAFPRIT Schutt/Hollywood Dual Anchor Access Frame with Infill Retainer System for Synthetic Turf Applications

Not To Scale

Sportsfield Specialties Inc 01182022

Patent Pending



**PROPRIETARY AND CONFIDENTIAL**

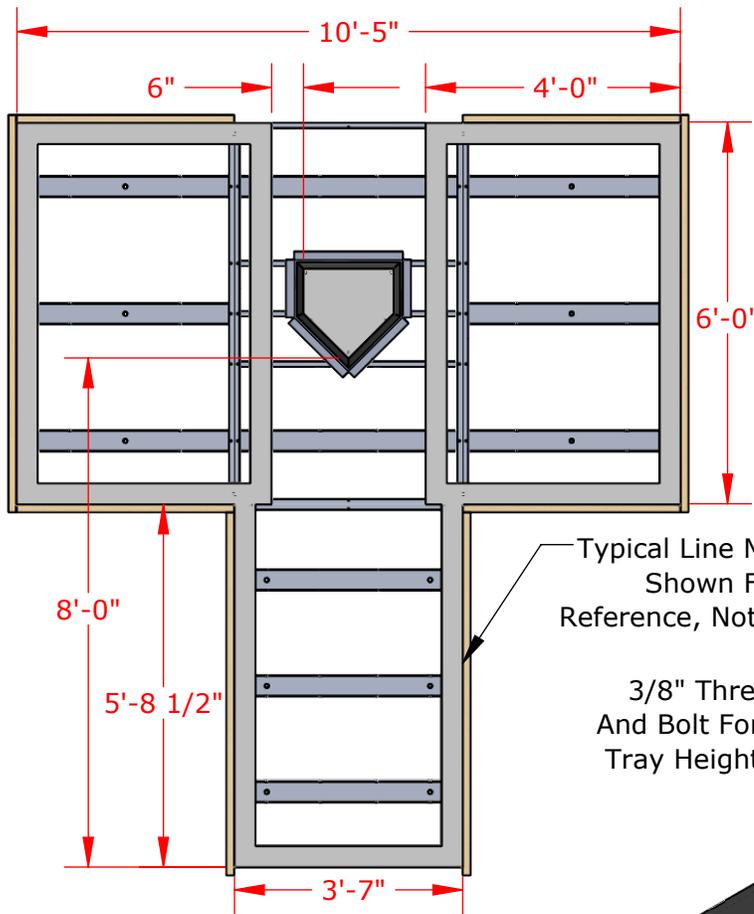
THE INFORMATION CONTAINED IN THIS DRAWING IS THE SOLE PROPERTY OF SPORTSFIELD SPECIALTIES INC. ANY REPRODUCTION IN PART OR AS A WHOLE WITHOUT THE WRITTEN PERMISSION OF SPORTSFIELD SPECIALTIES INC. IS PROHIBITED.

**SHAFPRIT Schutt/Hollywood Dual Anchor Access Frame with Infill Retainer System for Synthetic Turf Applications**

Not To Scale

Sportsfield Specialties Inc 01182022

Synthetic Turf Provided By And Installed By Others



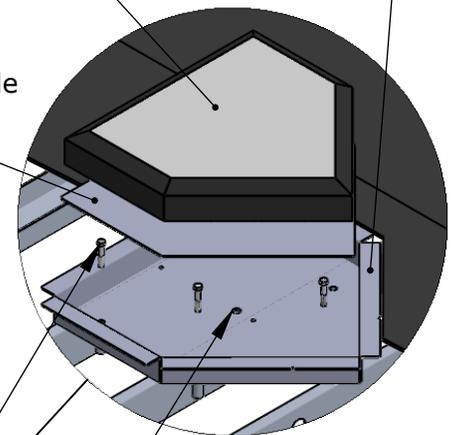
Synthetic Infill Turf Attachment Ledge

Includes Replaceable Double-Sided Bury All Home Plate

Height Adjustable Home Plate Tray

Typical Line Markings Shown For Reference, Not Included

3/8" Threaded Stud And Bolt For Home Plate Tray Height Adjustment



DETAIL A

Drainage Pipe

1/4" Roll Out Rubber Underlayment

2"x4" Synthetic Wood Nailer Boards

Stake Holes For Anchoring (Rebar By Others)

Notched Cutouts For Rebar Bracing (Rebar By Others)

Four Piece Welded Aluminum Frame With Bolted Connections

Patent Pending

PROPRIETARY AND CONFIDENTIAL

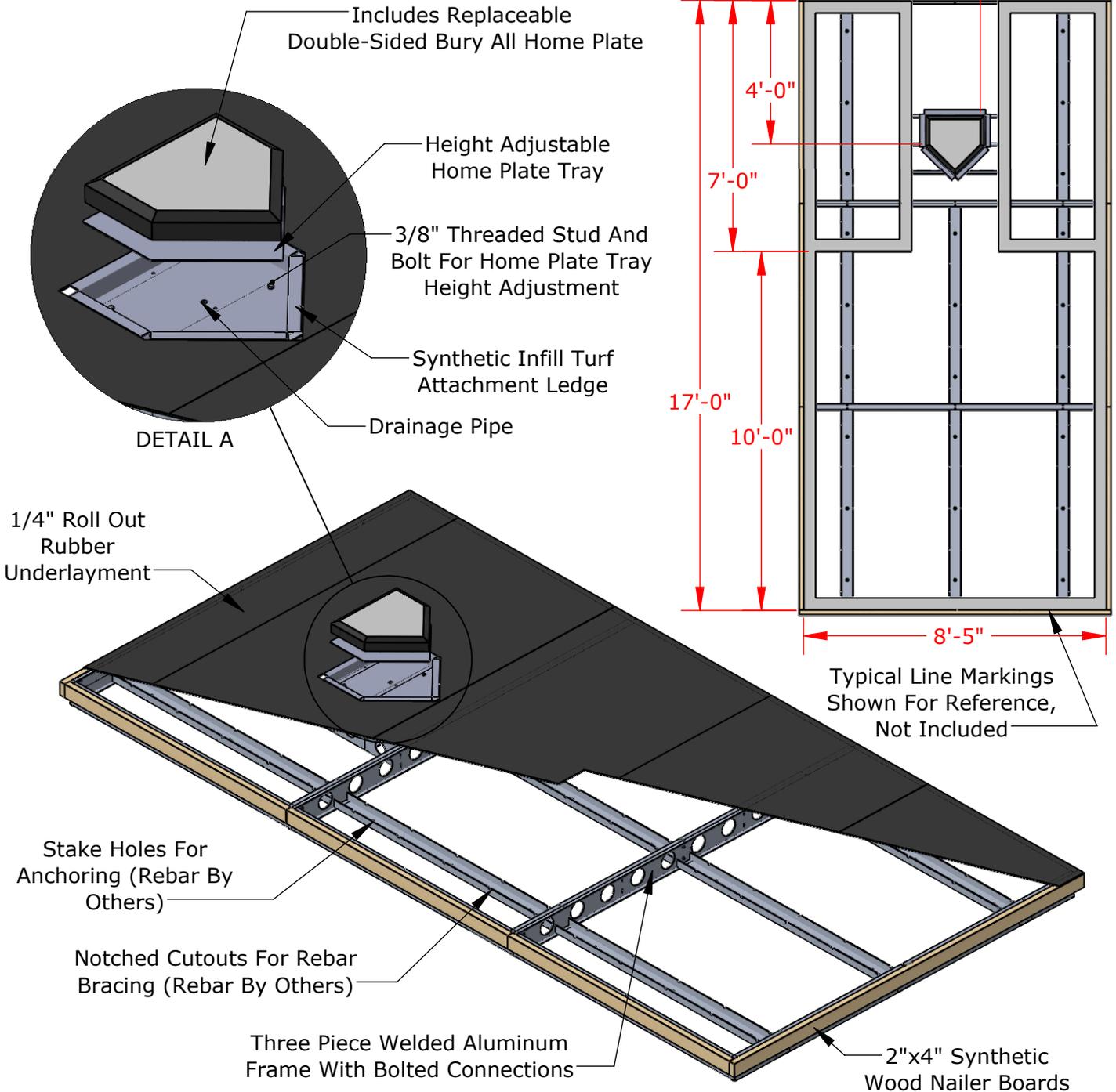
THE INFORMATION CONTAINED IN THIS DRAWING IS THE SOLE PROPERTY OF SPORTSFIELD SPECIALTIES INC. ANY REPRODUCTION IN PART OR AS A WHOLE WITHOUT THE WRITTEN PERMISSION OF SPORTSFIELD SPECIALTIES INC. IS PROHIBITED.

# BBFSB Baseball Batter's Box Forming System

Not To Scale

Sportsfield Specialties Inc 104591.1-221024

Synthetic Turf Provided By And Installed By Others



Patent Pending

PROPRIETARY AND CONFIDENTIAL

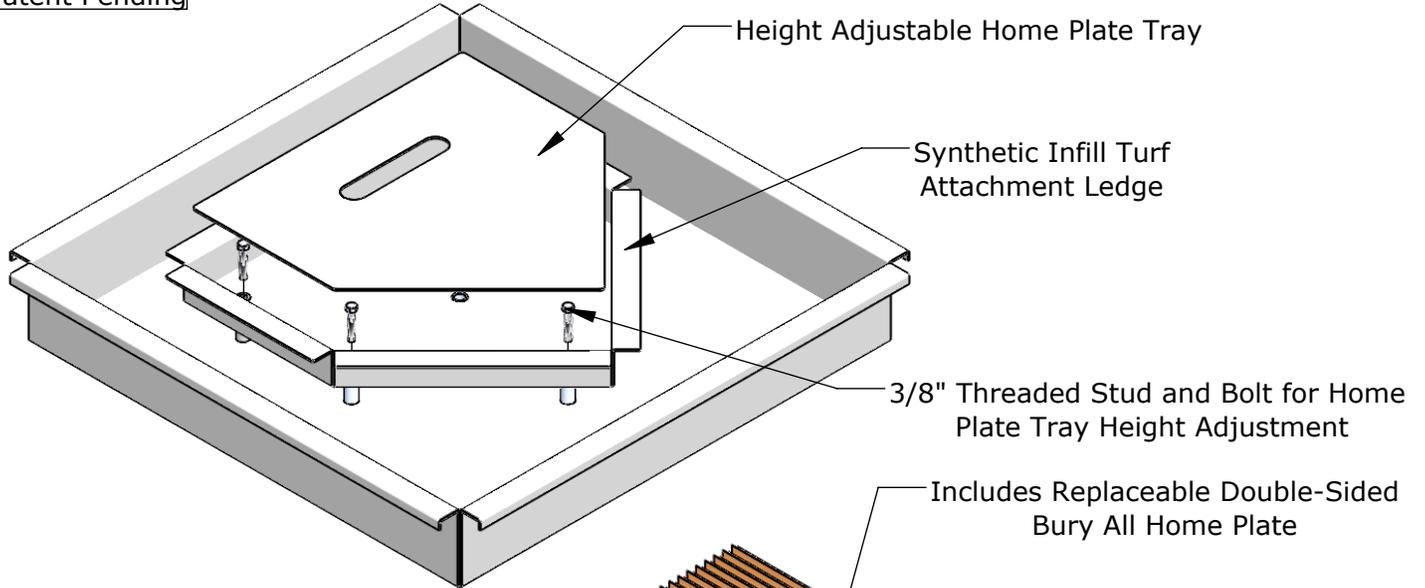
THE INFORMATION CONTAINED IN THIS DRAWING IS THE SOLE PROPERTY OF SPORTSFIELD SPECIALTIES INC. ANY REPRODUCTION IN PART OR AS A WHOLE WITHOUT THE WRITTEN PERMISSION OF SPORTSFIELD SPECIALTIES INC. IS PROHIBITED.

# BBFSS Softball Batter's Box Forming System

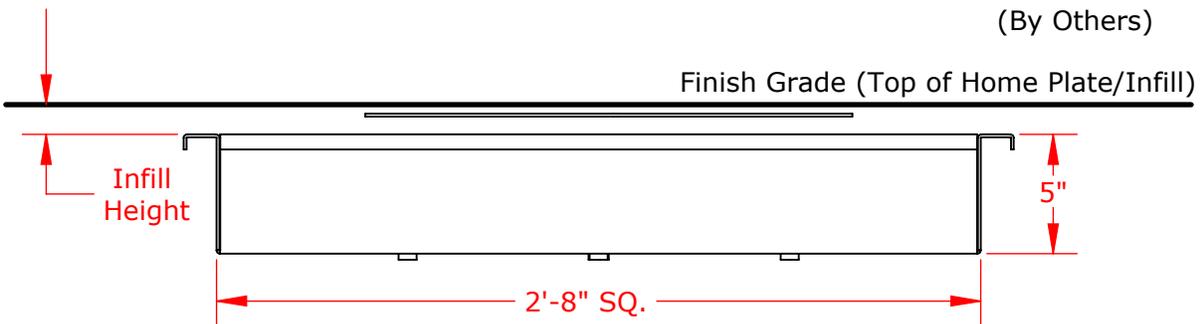
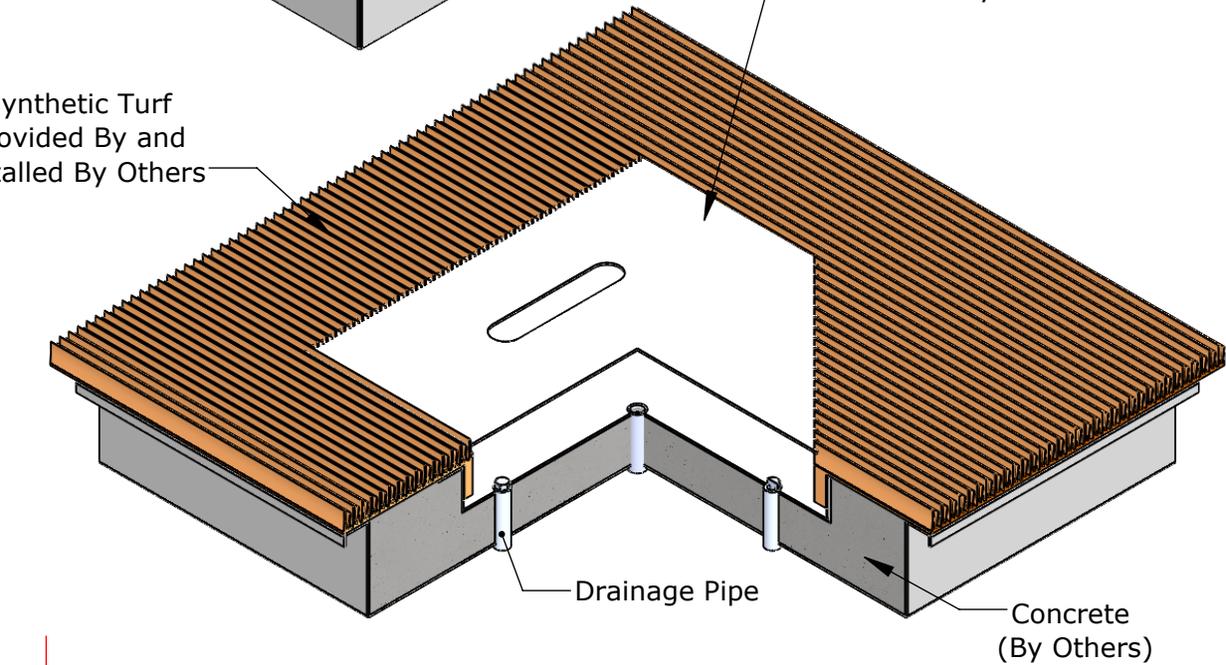
Not To Scale

Sportsfield Specialties Inc 104590.1-221024

Patent Pending



Synthetic Turf Provided By and Installed By Others



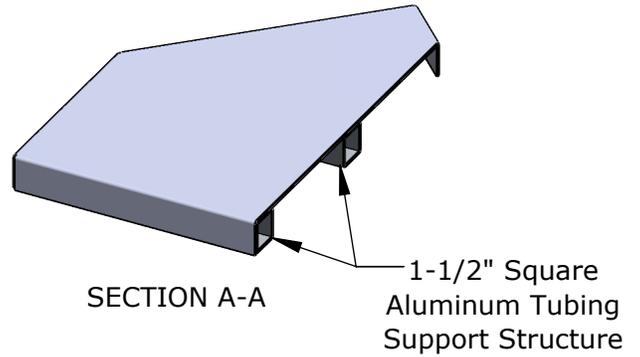
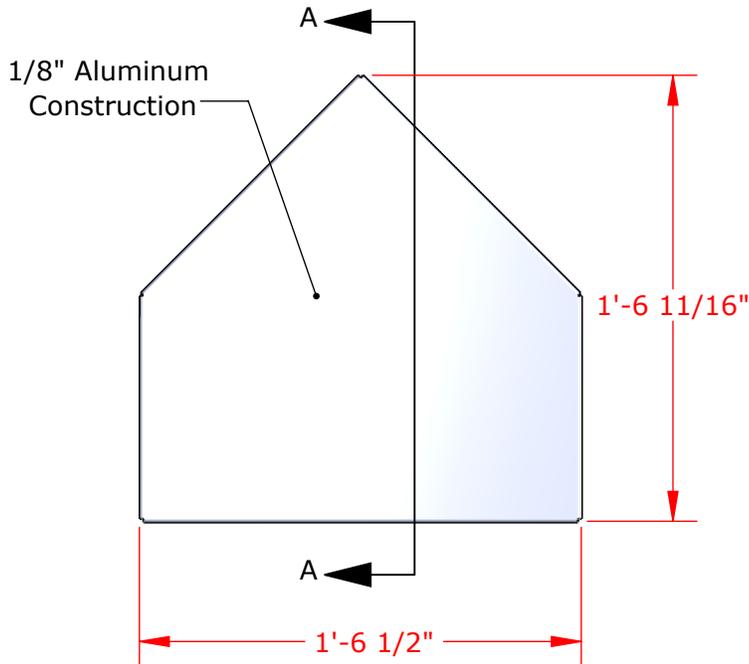
**PROPRIETARY AND CONFIDENTIAL**

THE INFORMATION CONTAINED IN THIS DRAWING IS THE SOLE PROPERTY OF SPORTSFIELD SPECIALTIES INC. ANY REPRODUCTION IN PART OR AS A WHOLE WITHOUT THE WRITTEN PERMISSION OF SPORTSFIELD SPECIALTIES INC. IS PROHIBITED.

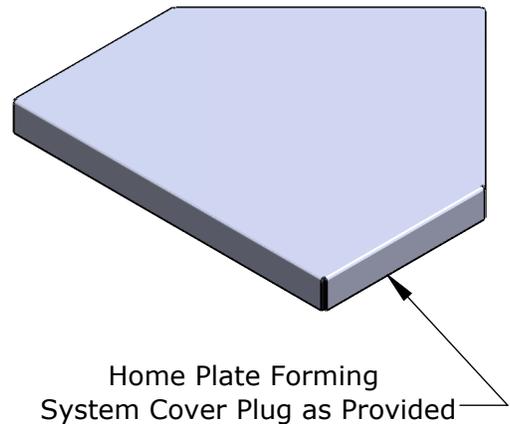
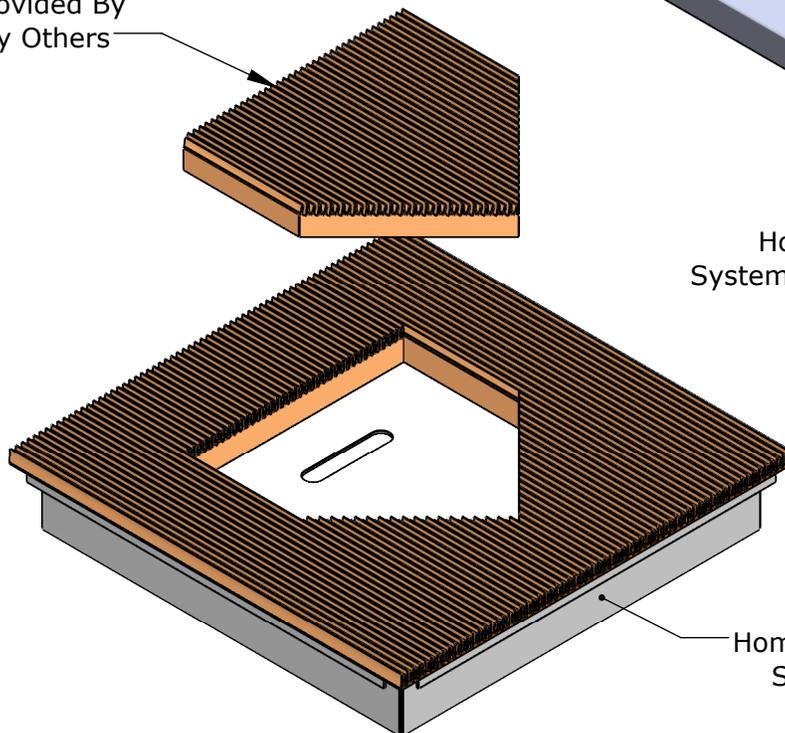
**HPFS Home Plate Forming System**

Not To Scale

Sportsfield Specialties Inc 104589.1-221024



Removable Cover Plug,  
 Synthetic Turf Provided By  
 and Installed By Others



**PROPRIETARY AND CONFIDENTIAL**

THE INFORMATION CONTAINED IN THIS DRAWING IS THE SOLE PROPERTY OF SPORTSFIELD SPECIALTIES INC. ANY REPRODUCTION IN PART OR AS A WHOLE WITHOUT THE WRITTEN PERMISSION OF SPORTSFIELD SPECIALTIES INC. IS PROHIBITED.

## HPFSCP Home Plate Forming System Cover Plug

Not To Scale

Sportsfield Specialties Inc 04262021