

# SPORTSFIELD SPECIALTIES

www.sportsfield.com | 888-975-3343

*Excellence from  
Design to Installation*



**High Jump Landing Pads & Standards**



Sportsfield Specialties, Inc. 41155 State Hwy 10. Delhi, NY 13753

## High Jump Landing Pads

### Product Overview

- Premium landing systems meet or exceed NFHS, NCAA, and World Athletics standards
- Available with patented DuraZone® integrated closed-cell drainage platform
- DuraZone® prevents water absorption and extends life of the pad
- Heavy coated vinyl and tear / UV resistant vinyl coated mesh
- Honeycomb polyurethane foam; 8" Velcro® reinforcement between base units
- 10 year warranty on 2" nylon handles, stainless steel hardware, and seams
- All-weather covers, base protector pads, standards and crossbars sold separately
- Available with high resolution digital graphics
- U.S. Patent #7,753,826)

**Increase Lifespan with DuraZone®**



Item Number	Product Description
HJ168	JumpZone® high jump landing pad system - 16'-6" x 8' x 26" - NFHS
HJ168DZ	DuraZone® high jump landing pad system - 16'-6" x 8' x 26" - NFHS
HJ168AWC	All-weather cover for high jump landing pad system - 16'-6" x 8' x 26" - NFHS
HJ1610	JumpZone® high jump landing pad system - 16'-6" x 10' x 28" - NFHS / NCAA
HJ1610DZ	DuraZone® high jump landing pad system - 16'-6" x 10' x 28" - NFHS / NCAA
HJ1610AWC	All-weather cover for high jump landing pad system - 16'-6" x 10' x 28" - NFHS / NCAA
HJ1810	JumpZone® high jump landing pad system - 18' x 10' x 28" - NFHS / NCAA
HJ1810DZ	DuraZone® high jump landing pad system - 18' x 10' x 28" - NFHS / NCAA
HJ1810AWC	All-weather cover for high jump landing pad system - 18' x 10' x 28" - NFHS / NCAA
HJ2014	JumpZone® high jump landing pad system - 20' x 13'-2" x 28" - NFHS / NCAA / World Athletics
HJ2014DZ	DuraZone® high jump landing pad system - 20' x 13'-2" x 28" - NFHS / NCAA / World Athletics
HJ2014AWC	All-weather cover for high jump landing pad system - 20' x 13'-2" x 28" - NFHS / NCAA / World Athletics
HJ2414	JumpZone® high jump landing pad system - 24'-6" x 13'-2" x 28" - NFHS / NCAA / World Athletics
HJ2414DZ	DuraZone® high jump landing pad system - 24'-6" x 13'-2" x 28" - NFHS / NCAA / World Athletics
HJ2414AWC	All-weather cover for high jump landing pad system - 24'-6" x 13'-2" x 28" - NFHS / NCAA / World Athletics
HJDG	High jump landing system digitally printed graphics and lettering



## High Jump Accessories

Item Number	Product Description
HJS0208	2'-8" high jump standards
HJSBP	High jump standard base protector pads
HJX	4M high jump crossbar, high visibility fiberglass

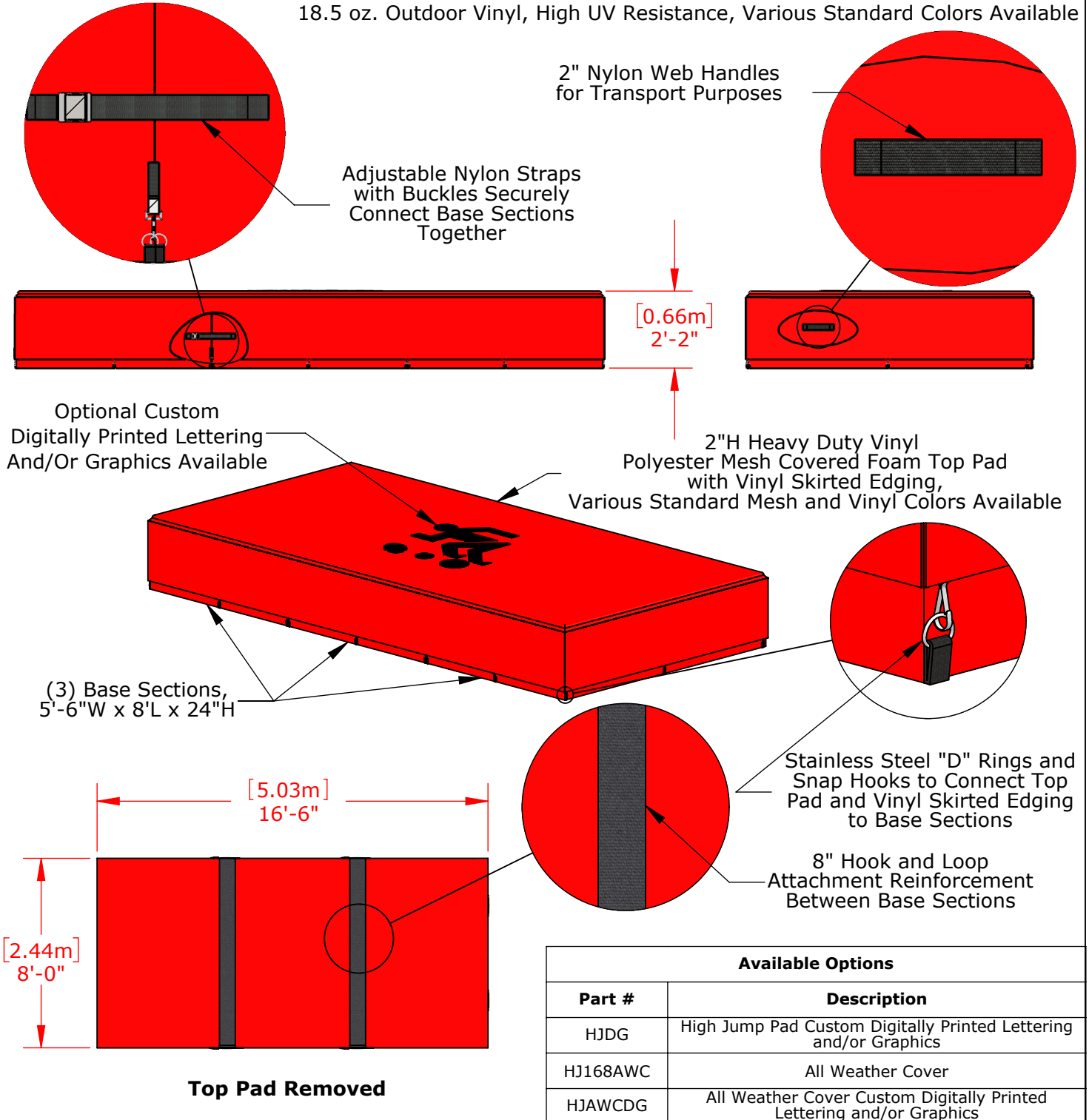
## High Jump Value Packs

Item Number	Product Description
HJECONVP	High jump economy value pack, 16'-6" x 8' x 26" landing pad, cover, standards, and crossbar - NFHS
HJHSVP	High jump high school value pack, 16'-6" x 10' x 28" landing pad, cover, standards, and crossbar - NFHS / NCAA
HJNCAAVP	High jump collegiate value pack, 18' x 10' x 28" landing pad, cover, standards, and crossbar - NFHS / NCAA





Meets All NCAA and NFHS Specifications, Rules, and Requirements  
18.5 oz. Outdoor Vinyl, High UV Resistance, Various Standard Colors Available



**PROPRIETARY AND CONFIDENTIAL**

THE INFORMATION CONTAINED IN THIS DRAWING IS THE SOLE PROPERTY OF SPORTSFIELD SPECIALTIES INC. ANY REPRODUCTION IN PART OR AS A WHOLE WITHOUT THE WRITTEN PERMISSION OF SPORTSFIELD SPECIALTIES INC. IS PROHIBITED.

Not To Scale

## HJ168 JumpZone® Challenger High Jump Pad

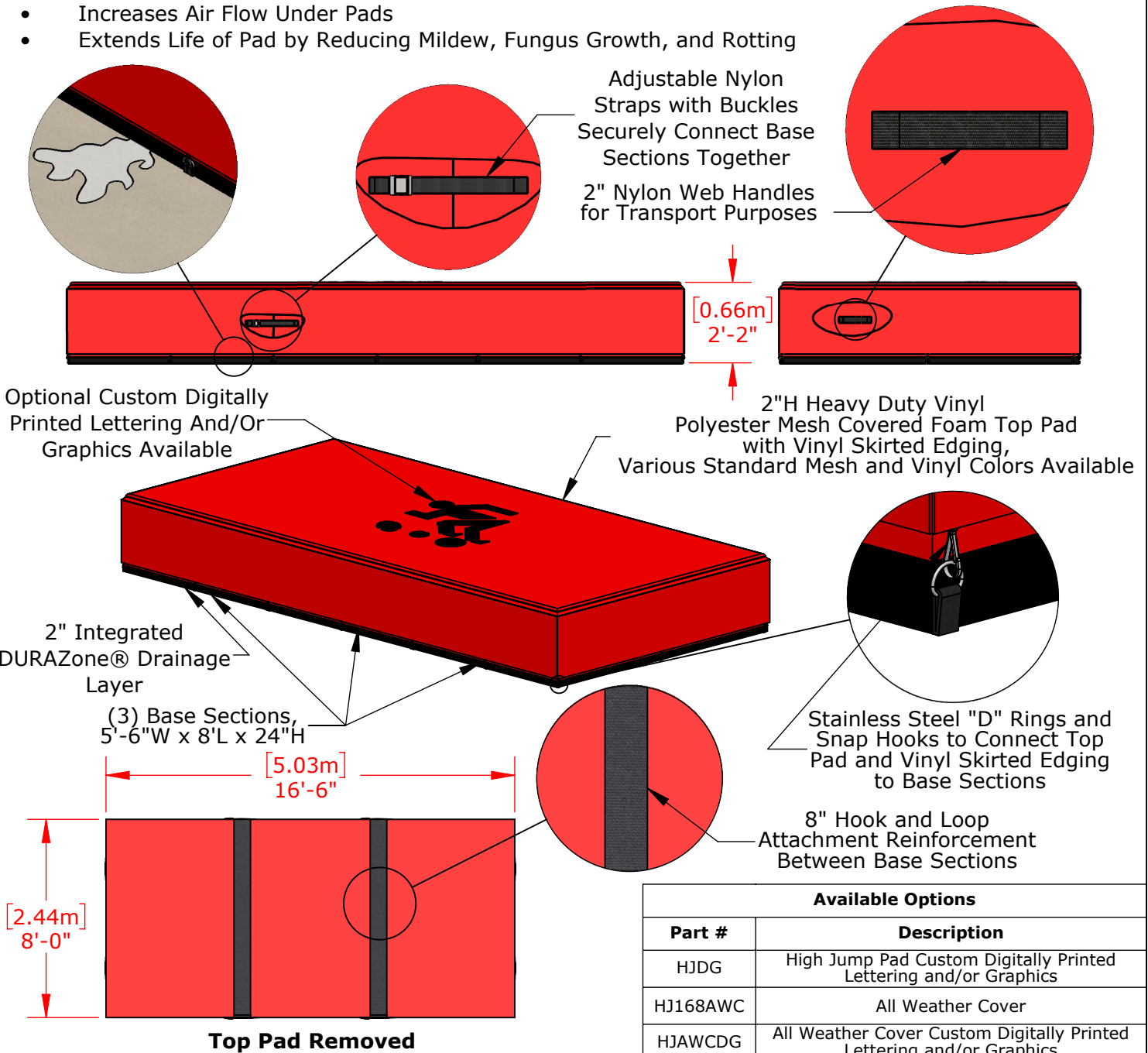
Sportsfield Specialties Inc 07012021

United States Patent #7,753,826, Issued July 13, 2010

Meets All NCAA and NFHS Specifications, Rules, and Requirements  
18.5 oz. Outdoor Vinyl, High UV Resistance, Various Standard Colors Available

**DURAZone® Advanced Synthetic Drainage System:**

- Provides Rapid Water Evacuation
- Increases Air Flow Under Pads
- Extends Life of Pad by Reducing Mildew, Fungus Growth, and Rotting



**Available Options**

Part #	Description
HJDG	High Jump Pad Custom Digitally Printed Lettering and/or Graphics
HJ168AWC	All Weather Cover
HJAWCDG	All Weather Cover Custom Digitally Printed Lettering and/or Graphics

**PROPRIETARY AND CONFIDENTIAL**

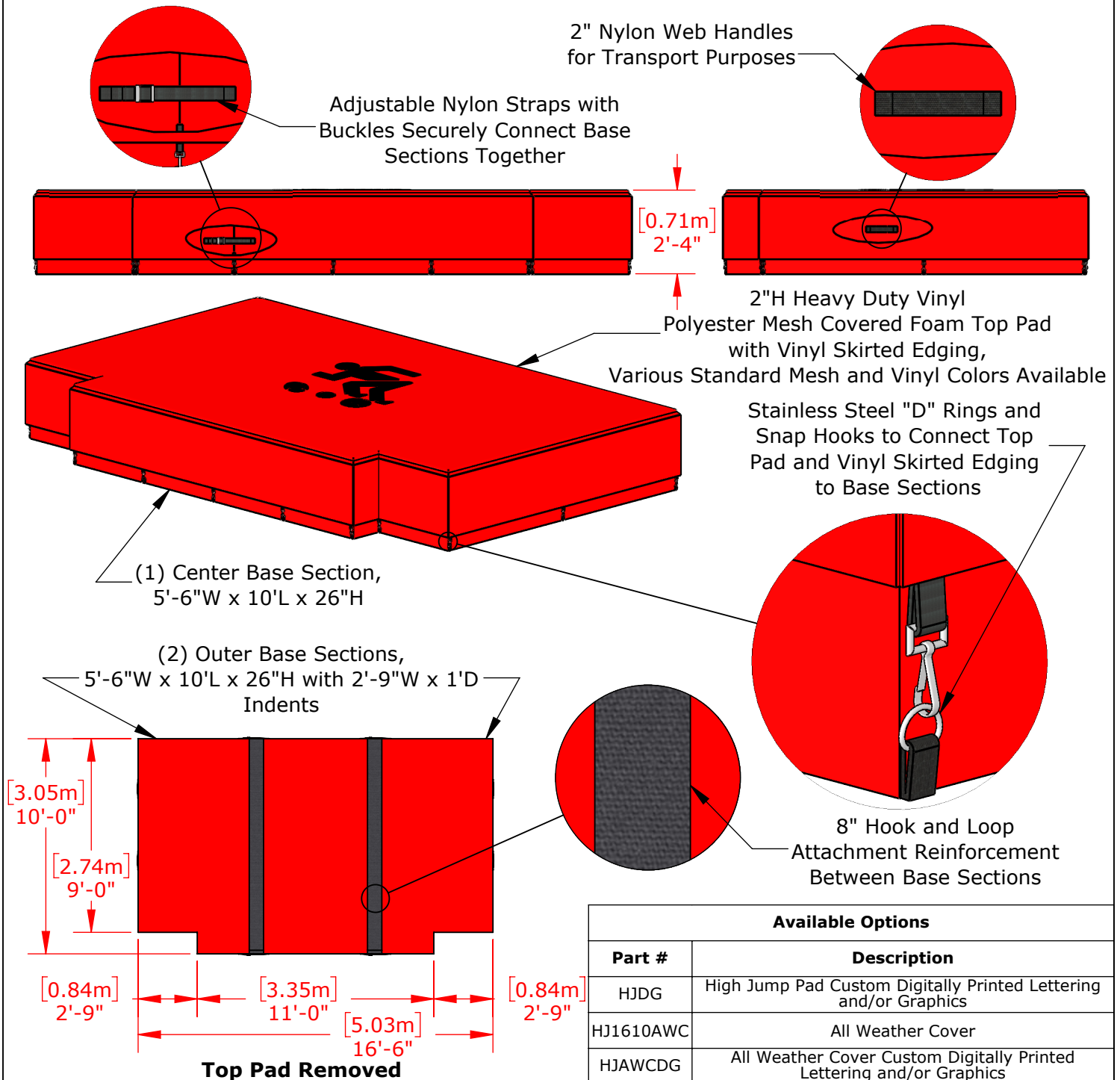
THE INFORMATION CONTAINED IN THIS DRAWING IS THE SOLE PROPERTY OF SPORTSFIELD SPECIALTIES INC. ANY REPRODUCTION IN PART OR AS A WHOLE WITHOUT THE WRITTEN PERMISSION OF SPORTSFIELD SPECIALTIES INC. IS PROHIBITED.

**HJ168DZ DURAZone®  
Challenger High Jump Pad**

Not To Scale

Sportsfield Specialties Inc 07012021

Meets All NCAA and NFHS Specifications, Rules, and Requirements  
18.5 oz. Outdoor Vinyl, High UV Resistance, Various Standard Colors Available



**Available Options**

Part #	Description
HJDG	High Jump Pad Custom Digitally Printed Lettering and/or Graphics
HJ1610AWC	All Weather Cover
HJAWCDG	All Weather Cover Custom Digitally Printed Lettering and/or Graphics

**PROPRIETARY AND CONFIDENTIAL**

THE INFORMATION CONTAINED IN THIS DRAWING IS THE SOLE PROPERTY OF SPORTSFIELD SPECIALTIES INC. ANY REPRODUCTION IN PART OR AS A WHOLE WITHOUT THE WRITTEN PERMISSION OF SPORTSFIELD SPECIALTIES INC. IS PROHIBITED.

**HJ1610 JumpZone®  
Scholastic High Jump Pad**

Not To Scale

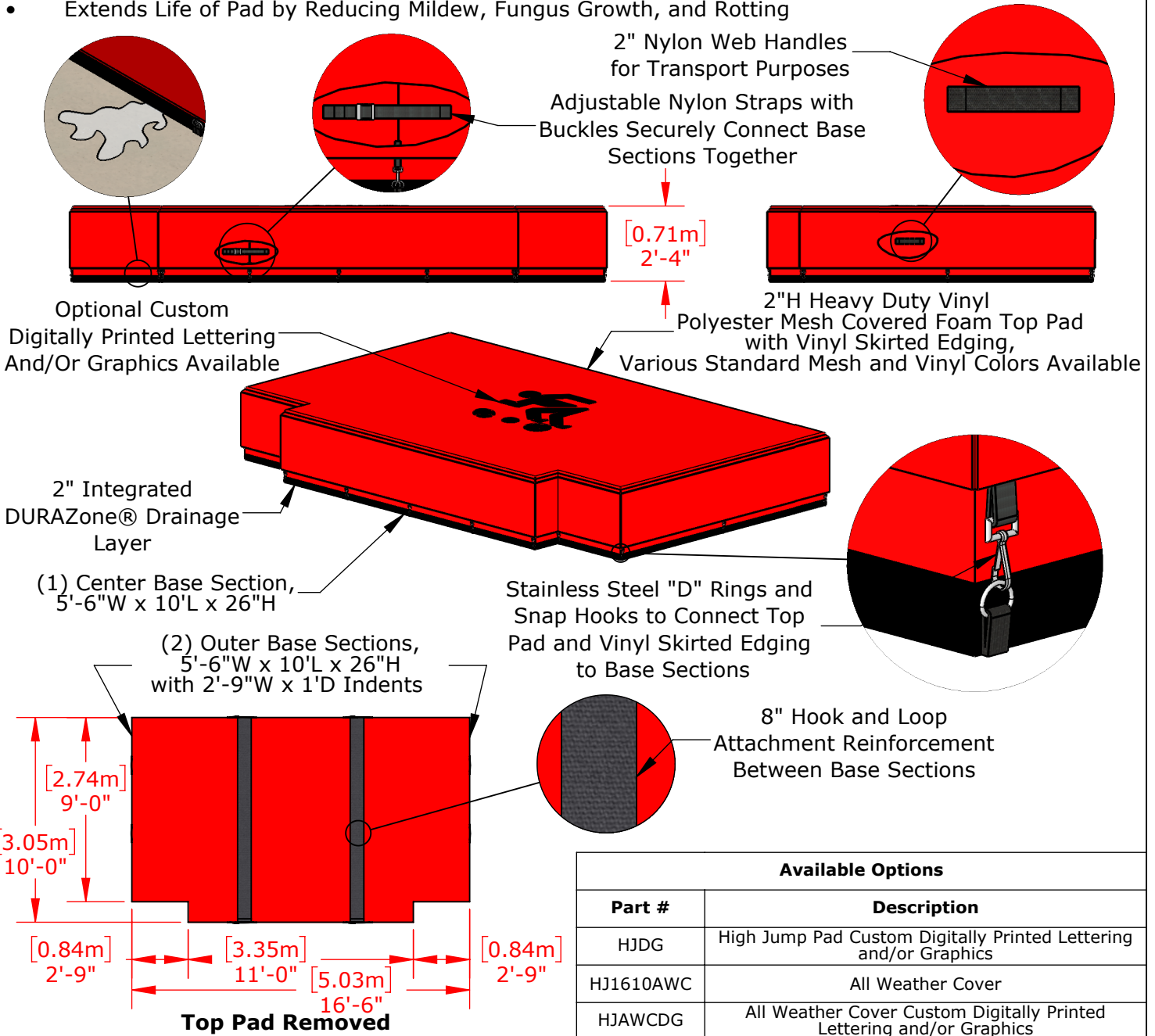
Sportsfield Specialties Inc 07012021

United States Patent #7,753,826, Issued July 13, 2010

Meets All NCAA and NFHS Specifications, Rules, and Requirements  
18.5 oz. Outdoor Vinyl, High UV Resistance, Various Standard Colors Available

**DURAZone® Advanced Synthetic Drainage System:**

- Provides Rapid Water Evacuation
- Increases Air Flow Under Pads
- Extends Life of Pad by Reducing Mildew, Fungus Growth, and Rotting



**PROPRIETARY AND CONFIDENTIAL**

THE INFORMATION CONTAINED IN THIS DRAWING IS THE SOLE PROPERTY OF SPORTSFIELD SPECIALTIES INC. ANY REPRODUCTION IN PART OR AS A WHOLE WITHOUT THE WRITTEN PERMISSION OF SPORTSFIELD SPECIALTIES INC. IS PROHIBITED.

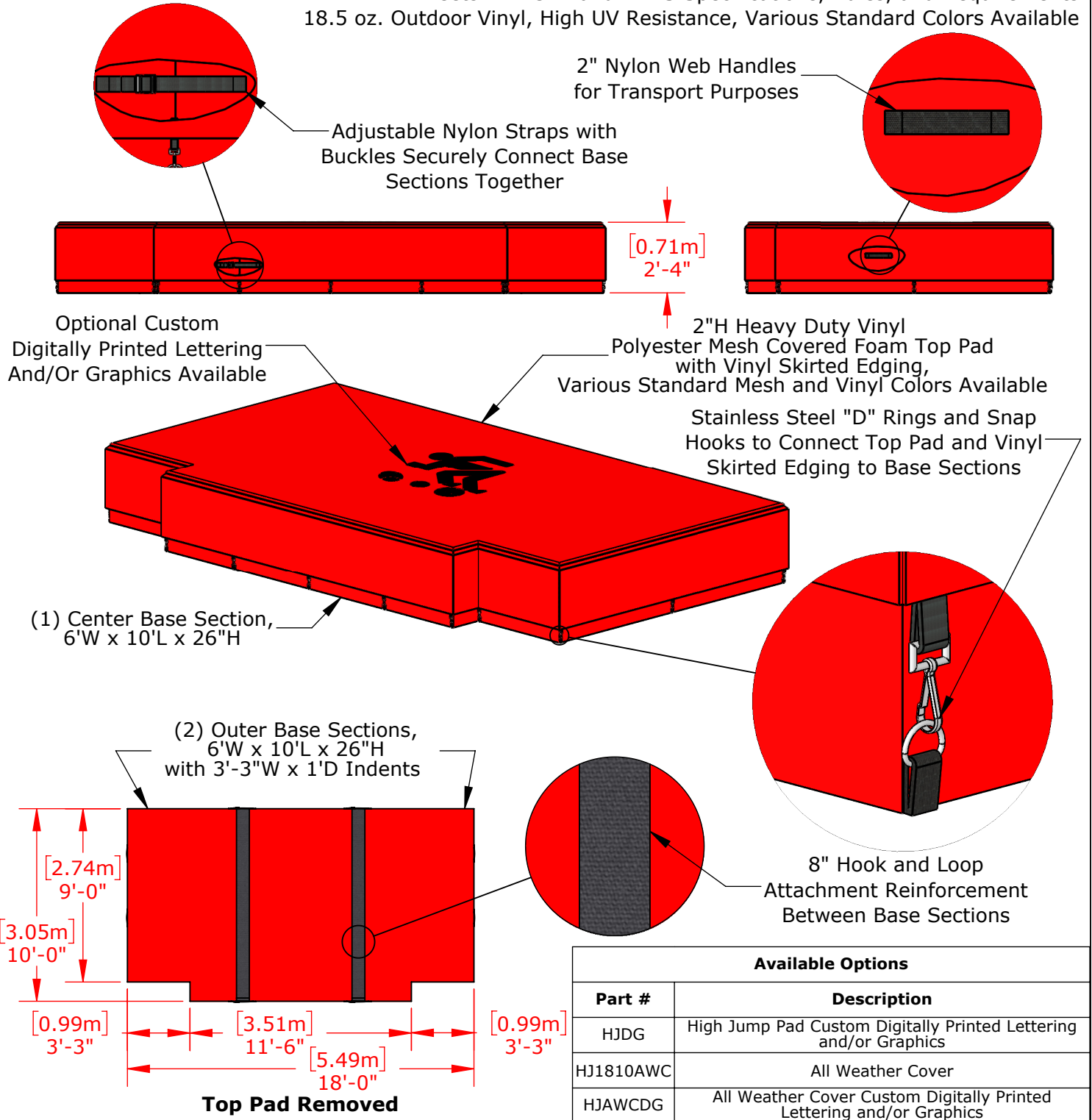
**HJ1610DZ DURAZone®  
Scholastic High Jump Pad**

Not To Scale

Sportsfield Specialties Inc 07012021



Meets All NCAA and NFHS Specifications, Rules, and Requirements  
18.5 oz. Outdoor Vinyl, High UV Resistance, Various Standard Colors Available



Available Options	
Part #	Description
HJDG	High Jump Pad Custom Digitally Printed Lettering and/or Graphics
HJ1810AWC	All Weather Cover
HJAWCDG	All Weather Cover Custom Digitally Printed Lettering and/or Graphics

**PROPRIETARY AND CONFIDENTIAL**

THE INFORMATION CONTAINED IN THIS DRAWING IS THE SOLE PROPERTY OF SPORTSFIELD SPECIALTIES INC. ANY REPRODUCTION IN PART OR AS A WHOLE WITHOUT THE WRITTEN PERMISSION OF SPORTSFIELD SPECIALTIES INC. IS PROHIBITED.

# HJ1810 JumpZone® National High Jump Pad

Not To Scale

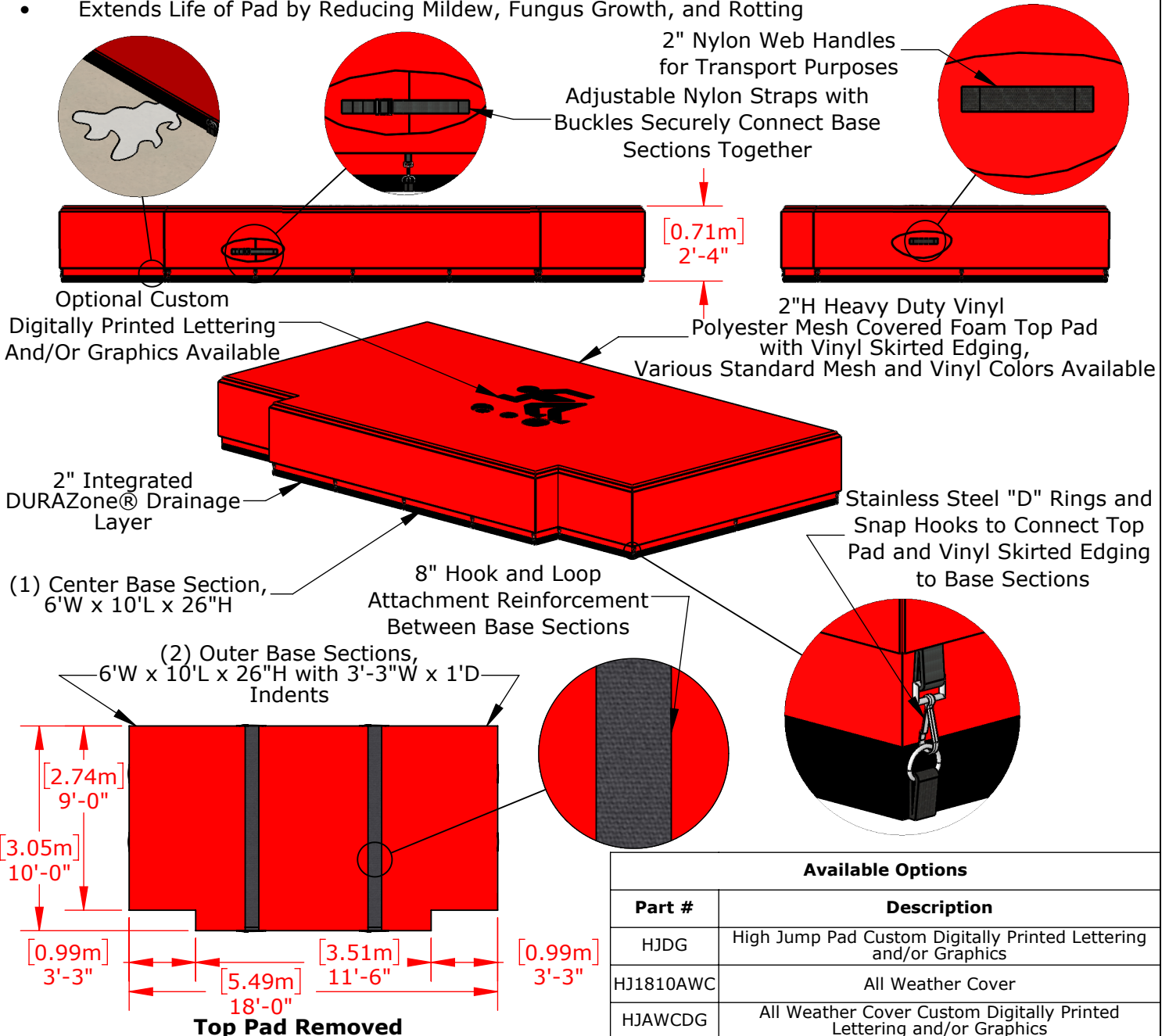
Sportsfield Specialties Inc 07012021

United States Patent #7,753,826, Issued July 13, 2010

Meets All NCAA and NFHS Specifications, Rules, and Requirements  
18.5 oz. Outdoor Vinyl, High UV Resistance, Various Standard Colors Available

**DURAZone® Advanced Synthetic Drainage System:**

- Provides Rapid Water Evacuation
- Increases Air Flow Under Pads
- Extends Life of Pad by Reducing Mildew, Fungus Growth, and Rotting



**PROPRIETARY AND CONFIDENTIAL**

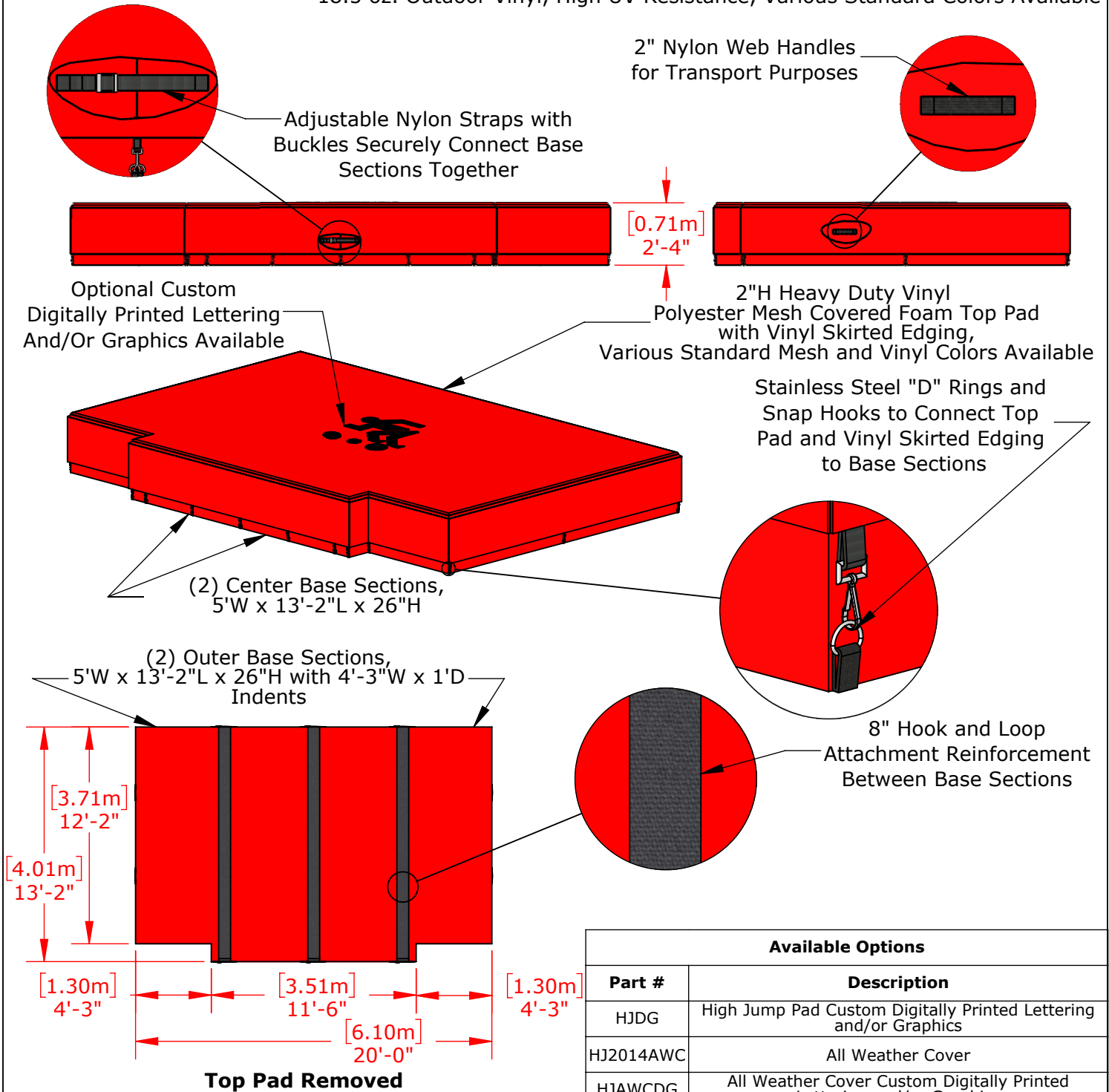
THE INFORMATION CONTAINED IN THIS DRAWING IS THE SOLE PROPERTY OF SPORTSFIELD SPECIALTIES INC. ANY REPRODUCTION IN PART OR AS A WHOLE WITHOUT THE WRITTEN PERMISSION OF SPORTSFIELD SPECIALTIES INC. IS PROHIBITED.

**HJ1810DZ DURAZone®  
National High Jump Pad**

Not To Scale

Sportsfield Specialties Inc 07012021

Meets All World Athletics (IAAF), NCAA and NFHS Specifications, Rules, and Requirements  
18.5 oz. Outdoor Vinyl, High UV Resistance, Various Standard Colors Available



Available Options	
Part #	Description
HJDG	High Jump Pad Custom Digitally Printed Lettering and/or Graphics
HJ2014AWC	All Weather Cover
HJAWCDG	All Weather Cover Custom Digitally Printed Lettering and/or Graphics

PROPRIETARY AND CONFIDENTIAL

THE INFORMATION CONTAINED IN THIS DRAWING IS THE SOLE PROPERTY OF SPORTSFIELD SPECIALTIES INC. ANY REPRODUCTION IN PART OR AS A WHOLE WITHOUT THE WRITTEN PERMISSION OF SPORTSFIELD SPECIALTIES INC. IS PROHIBITED.

## HJ2014 JumpZone® International High Jump Pad

Not To Scale

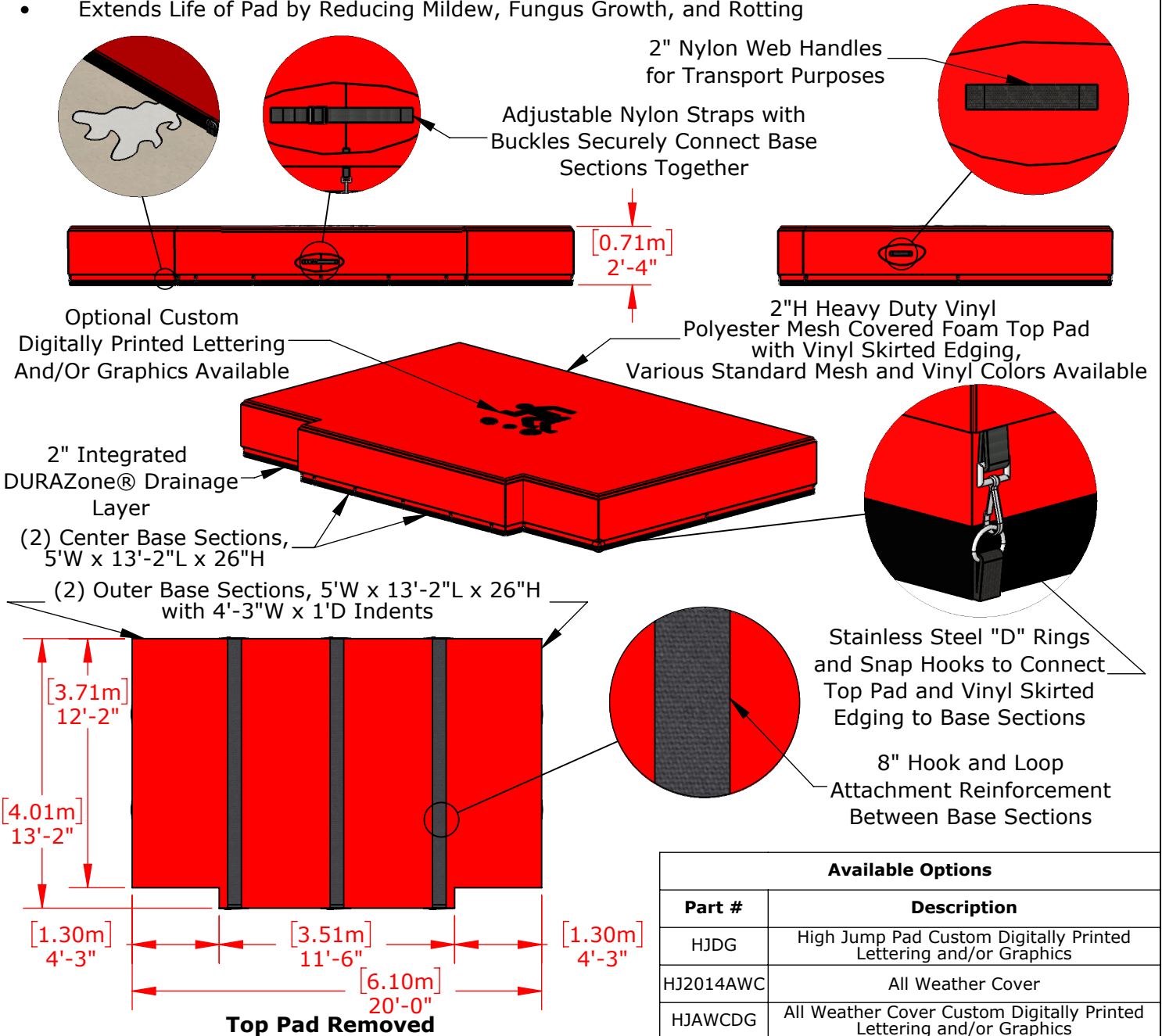
Sportsfield Specialties Inc 07012021

United States Patent #7,753,826, Issued July 13, 2010

Meets All World Athletics (IAAF), NCAA and NFHS Specifications, Rules, and Requirements  
18.5 oz. Outdoor Vinyl, High UV Resistance, Various Standard Colors Available

**DURAZone® Advanced Synthetic Drainage System:**

- Provides Rapid Water Evacuation
- Increases Air Flow Under Pads
- Extends Life of Pad by Reducing Mildew, Fungus Growth, and Rotting



Available Options	
Part #	Description
HJDG	High Jump Pad Custom Digitally Printed Lettering and/or Graphics
HJ2014AWC	All Weather Cover
HJAWCDG	All Weather Cover Custom Digitally Printed Lettering and/or Graphics

**PROPRIETARY AND CONFIDENTIAL**

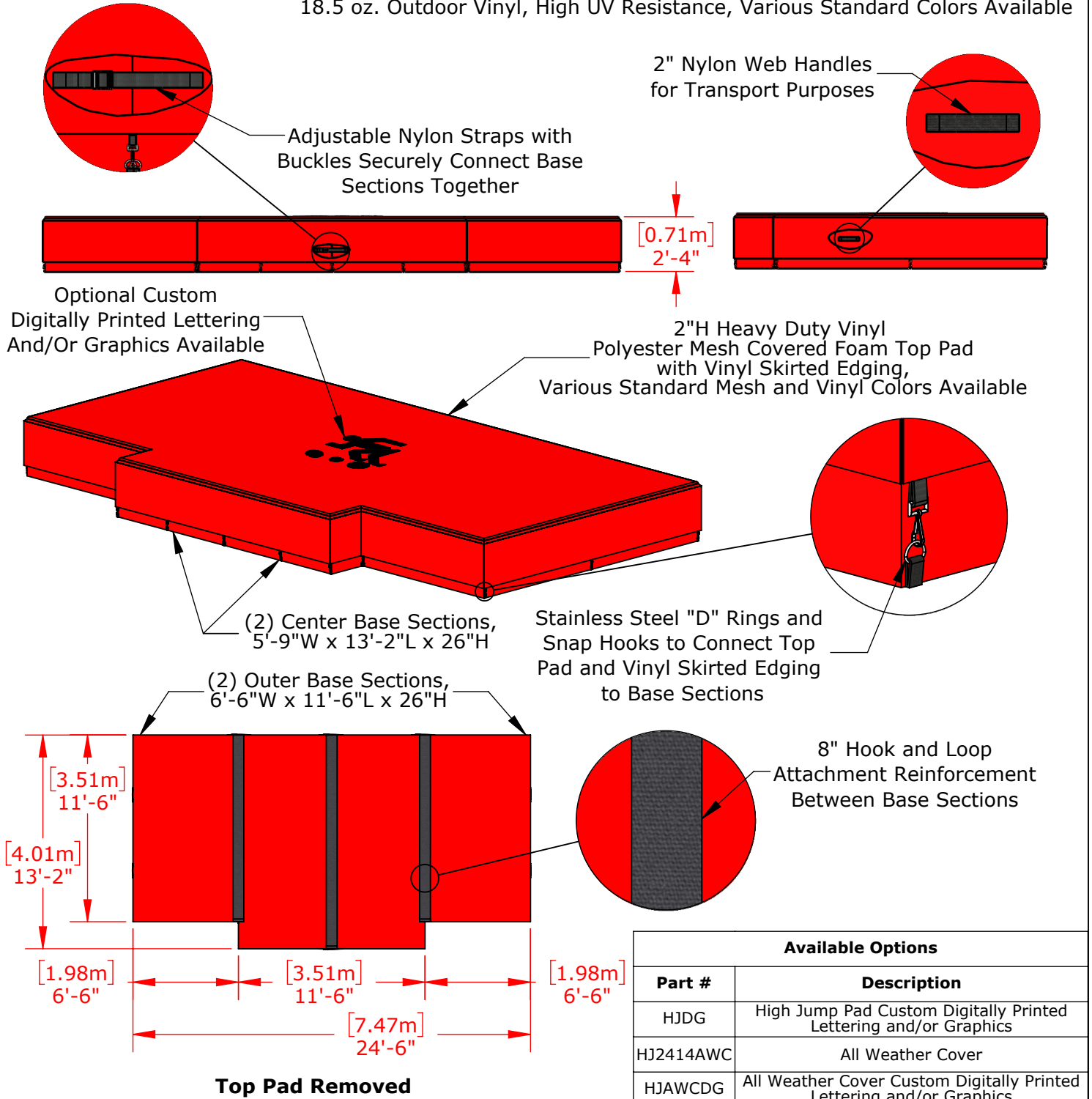
THE INFORMATION CONTAINED IN THIS DRAWING IS THE SOLE PROPERTY OF SPORTSFIELD SPECIALTIES INC. ANY REPRODUCTION IN PART OR AS A WHOLE WITHOUT THE WRITTEN PERMISSION OF SPORTSFIELD SPECIALTIES INC. IS PROHIBITED.

**HJ2014DZ DURAZone®  
International High Jump Pad**

Not To Scale

Sportsfield Specialties Inc 07012021

Meets All World Athletics (IAAF), NCAA and NFHS Specifications, Rules, and Requirements  
18.5 oz. Outdoor Vinyl, High UV Resistance, Various Standard Colors Available



Available Options	
Part #	Description
HJDG	High Jump Pad Custom Digitally Printed Lettering and/or Graphics
HJ2414AWC	All Weather Cover
HJAWCDG	All Weather Cover Custom Digitally Printed Lettering and/or Graphics

**PROPRIETARY AND CONFIDENTIAL**

THE INFORMATION CONTAINED IN THIS DRAWING IS THE SOLE PROPERTY OF SPORTSFIELD SPECIALTIES INC. ANY REPRODUCTION IN PART OR AS A WHOLE WITHOUT THE WRITTEN PERMISSION OF SPORTSFIELD SPECIALTIES INC. IS PROHIBITED.

## HJ2414 JumpZone® International Plus High Jump Pad

Not To Scale

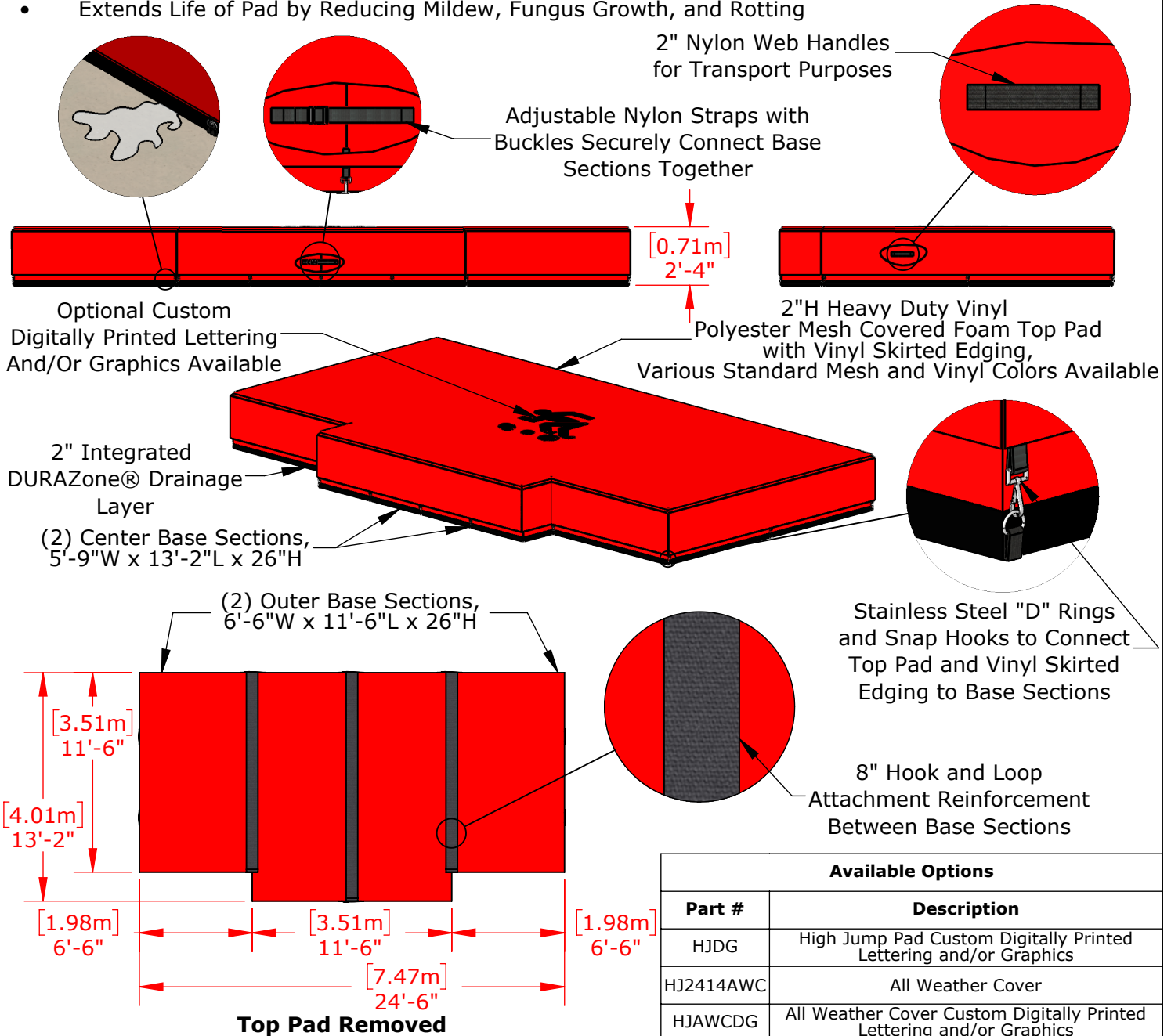
Sportsfield Specialties Inc 07012021

United States Patent #7,753,826, Issued July 13, 2010

Meets All World Athletics (IAAF), NCAA and NFHS Specifications, Rules, and Requirements  
18.5 oz. Outdoor Vinyl, High UV Resistance, Various Standard Colors Available

**DURAZone® Advanced Synthetic Drainage System:**

- Provides Rapid Water Evacuation
- Increases Air Flow Under Pads
- Extends Life of Pad by Reducing Mildew, Fungus Growth, and Rotting



**PROPRIETARY AND CONFIDENTIAL**

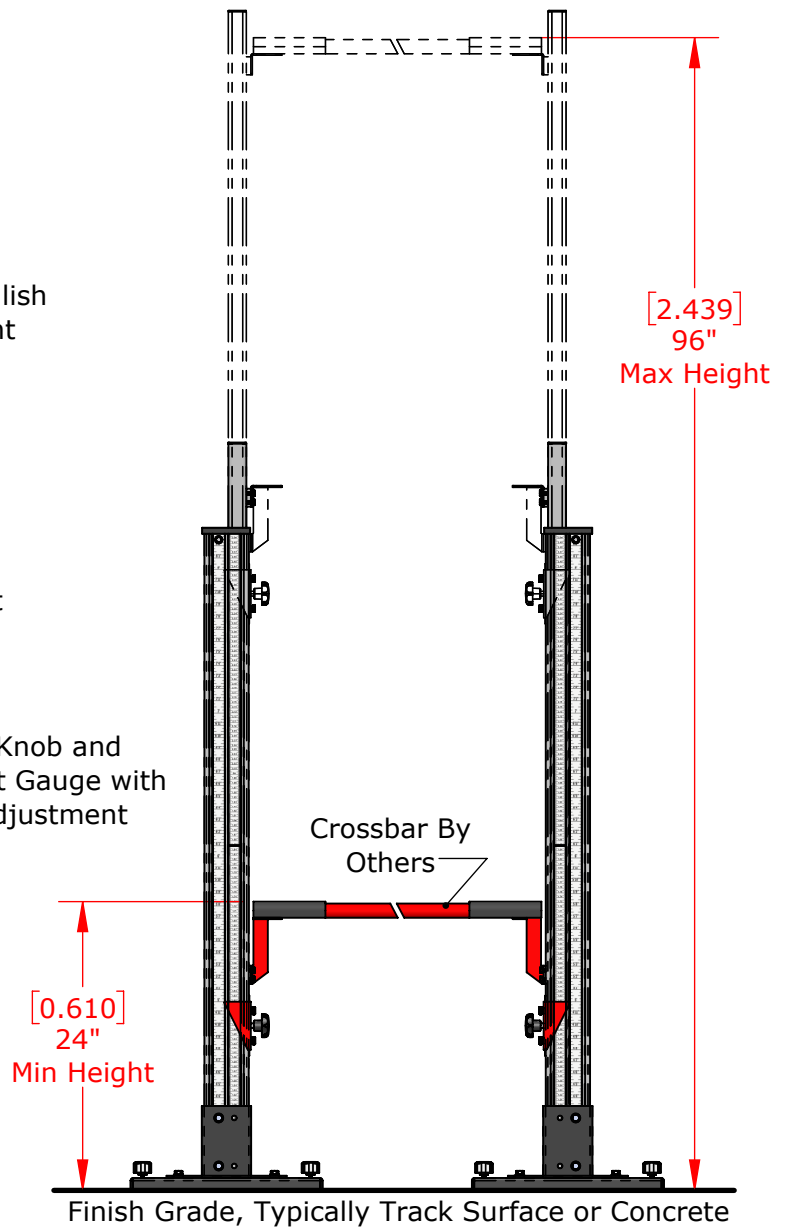
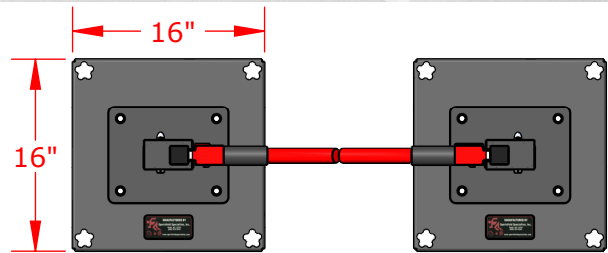
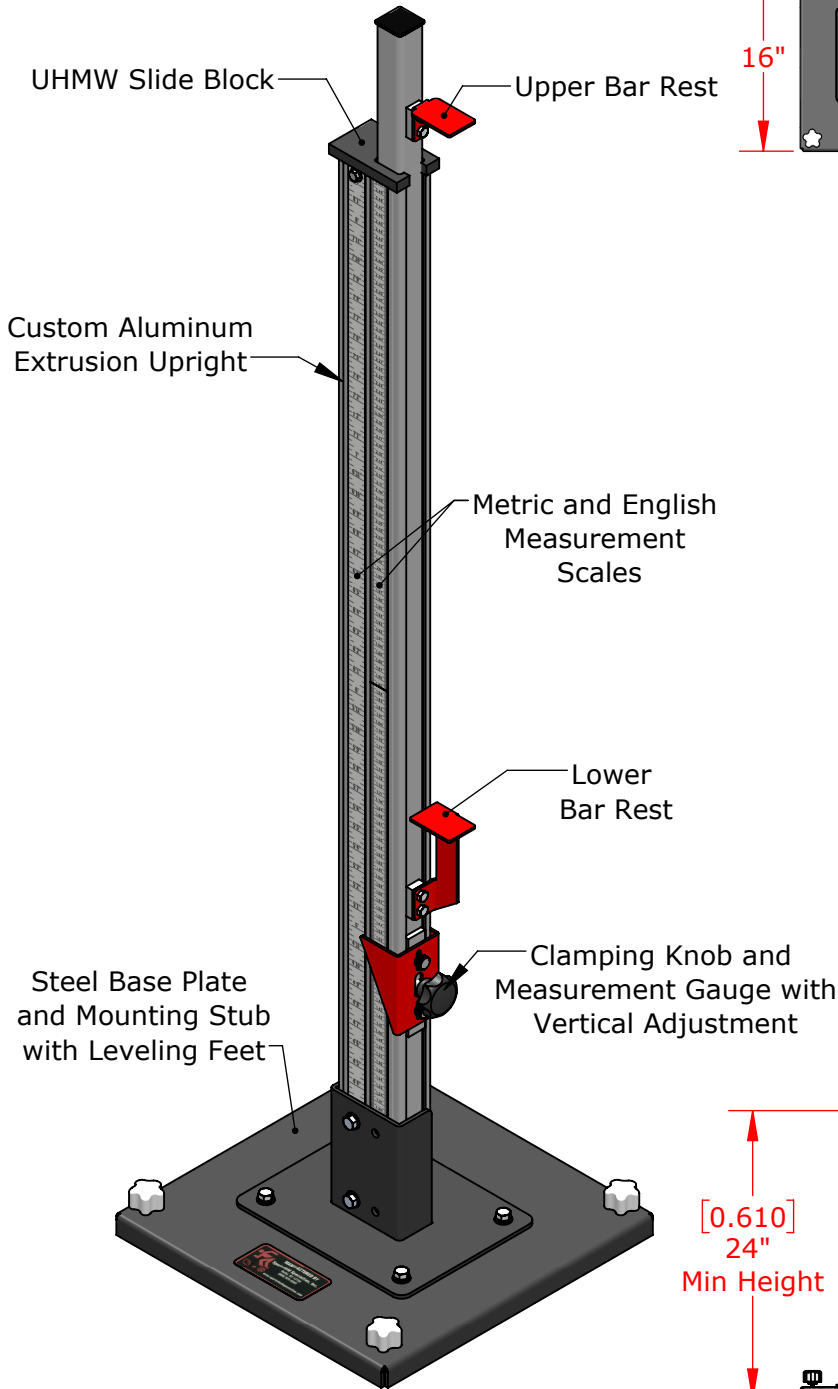
THE INFORMATION CONTAINED IN THIS DRAWING IS THE SOLE PROPERTY OF SPORTSFIELD SPECIALTIES INC. ANY REPRODUCTION IN PART OR AS A WHOLE WITHOUT THE WRITTEN PERMISSION OF SPORTSFIELD SPECIALTIES INC. IS PROHIBITED.

**HJ2414DZ DURAZone®  
International Plus High Jump Pad**

Not To Scale

Sportsfield Specialties Inc 07012021

Standard Black, Red and Silver Powder Coated Finish



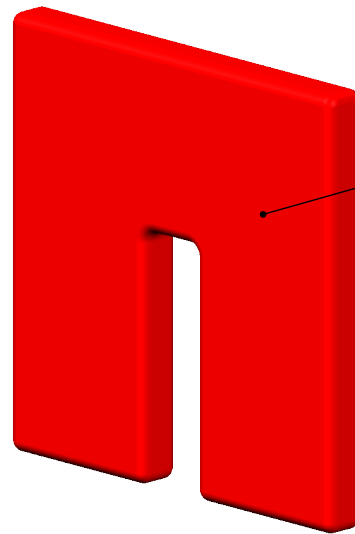
**PROPRIETARY AND CONFIDENTIAL**

THE INFORMATION CONTAINED IN THIS DRAWING IS THE SOLE PROPERTY OF SPORTSFIELD SPECIALTIES INC. ANY REPRODUCTION IN PART OR AS A WHOLE WITHOUT THE WRITTEN PERMISSION OF SPORTSFIELD SPECIALTIES INC. IS PROHIBITED.

**HJS0208 High Jump Standards, 2'-8' Height Range**

Not To Scale

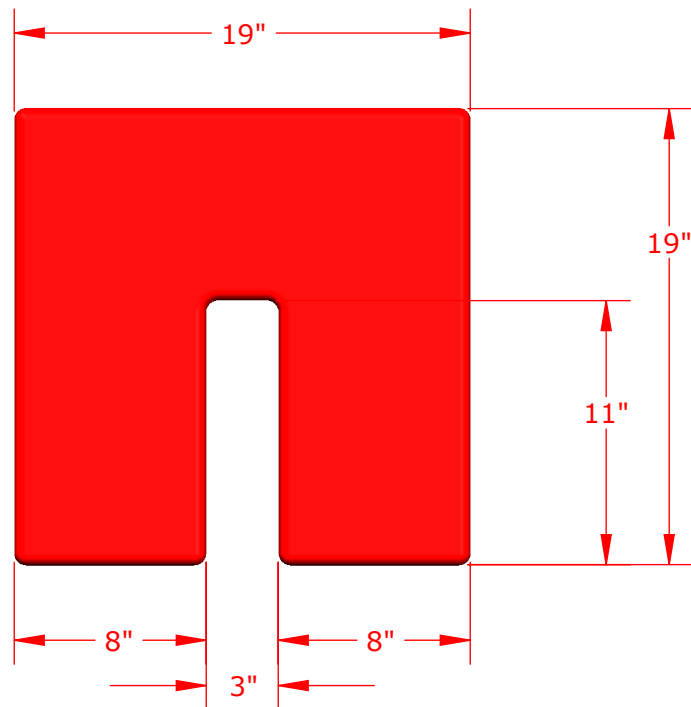
Sportsfield Specialties Inc 12092020



18.5 oz. Outdoor Vinyl,  
High UV Resistance,  
Various Standard Colors Available

2"H Cross-Linked  
Polyethylene Foam

Set of Two (2)



**PROPRIETARY AND CONFIDENTIAL**

THE INFORMATION CONTAINED IN THIS DRAWING IS THE SOLE PROPERTY OF SPORTSFIELD SPECIALTIES INC. ANY REPRODUCTION IN PART OR AS A WHOLE WITHOUT THE WRITTEN PERMISSION OF SPORTSFIELD SPECIALTIES INC. IS PROHIBITED.

**HJSBP High Jump Standard  
Base Protector Pads**

Not To Scale

Sportsfield Specialties Inc 07012021