

SPORTSFIELD SPECIALTIES

www.sportsfield.com | 888-975-3343

*Excellence from
Design to Installation*



Throwing Event Equipment



Sportsfield Specialties, Inc. 41155 State Hwy 10. Delhi, NY 13753



ThrowForm® Systems

Product Overview

- Sportsfield is the inventor of pre-engineered ThrowForm® systems
- Patented design ensures accurate construction and positive drainage
- Stay-in-place forming system eliminates complex hand-forming
- Features bolt-together sections with integral drainage and throw circle
- Includes staking gussets, rebar notches, and concrete finishing screed line
- Single and dual throwing pad configurations available
- Designed to meet / exceed World Athletics, NCAA, and NFHS rules and regulations
- U.S. Patents #8,186,684 and #8,578,678

Item Number	Product Description
TFD	ThrowForm® discus throw pad forming system
TFDDH	ThrowForm® discus / hammer dual throw pad forming system
TFSP	ThrowForm® shot put / hammer throw pad forming system



Throw Rings & Toe Boards

Product Overview

- Throw rings available in aluminum angle or web-reinforced styles
- All rings include 3/4" recessed concrete finishing screed line
- Conversion rings available to downsize discus circle for shot put / hammer
- Cast aluminum toe board construction with white super durable powder coat
- Designed to meet / exceed World Athletics, NCAA, and NFHS rules and regulations

Item Number	Product Description
TRDAA	Discus throw ring for recessed pad
TRDAW	Web reinforced discus throw ring for recessed pad
TRSPHAA	Shot put / hammer throw ring for recessed pad
TRSPHAW	Web reinforced shot put / hammer throw ring for recessed pad
TRSPHC	Shot put / hammer conversion ring
V362	Hammer conversion ring
SPTBCALHS	High school shot put toe board for level pad
SPTBCARHS	High school shot put toe board for recessed pad
SPTBCARCOL	College / World Athletics shot put toe board for recessed pad





Discus & Shot Put Cages

Product Overview

- High quality discus and shot put cages for all levels of competition
- Black super durable powder coated 4" OD aluminum uprights
- Standard 36" rolled offset mitigates implement ricochet
- Black #36 nylon net with 1-3/4" square mesh, 345 lb. break strength
- Available in multiple heights, styles, and layout configurations
- Hinged net stabilizer extension arms permit grounds maintenance
- Optional back-up net systems available upon request
- Designed to meet / exceed World Athletics, NCAA, and NFHS rules and regulations

Item Number	Product Description
SPC	Shot put cage, (4) poles
SPCEA	Shot put cage with extension arms, (4) poles
SPCPT	Portable shot put cage, (4) poles
DCHS	High school discus cage, (6) poles
DCHSEA	High discus cage with extension arms, (6) poles
DCHSPT	High school portable discus cage, (6) poles
DCHS7	High school discus cage, (7) poles
DCHS7EA	High school discus cage with extension arms, (7) poles
DCHS8	High school discus cage, (8) poles
DCHS8EA	High school discus cage with extension arms, (8) poles
DCHSTEA	High school tall discus cage with extension arms, (6) poles
DCCOL	College discus cage, (8) poles
DCCOLEA	College discus cage with extension arms, (8) poles
DCCOLPT	College portable discus cage, (8) poles
DCCOLTEA	College tall discus cage with extension arms, (8) poles
DCWorld AthleticsEA	World Athletics tall discus cage with extension arms, (9) poles



Hammer / Discus Cages

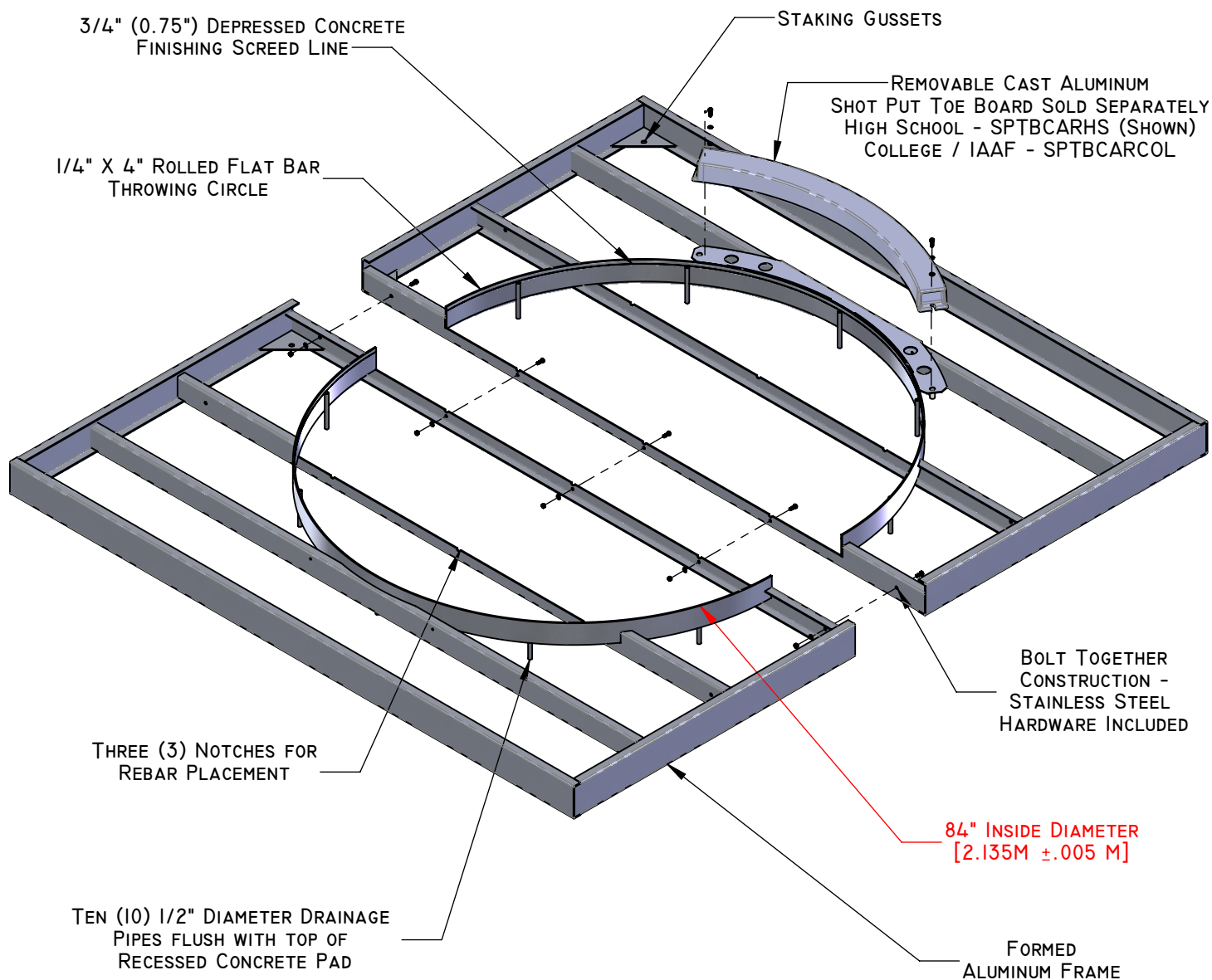
Product Overview

- Premium hammer / discus cages for NCAA & World Athletics competition
- Black super durable powder coated 4" OD steel uprights
- Aluminum swinging gate door with hinged door support post
- Black #84 nylon with 1-3/4 square mesh, 785 lb. break strength
- Standard height, tall, or extra tall models for enhanced safety
- Mitigate ricochet via standard 36" net offset and door cable design
- Single and dual throwing pad configurations available
- Hinged net stabilizer extension arms permit grounds maintenance
- Optional back-up net systems available upon request
- Designed to meet / exceed World Athletics and NCAA rules and regulations

Item Number	Product Description
DHCCOL	College hammer / discus cage, 6.15M height for single pad
DHCCOLT	College tall hammer / discus cage, 8M height for single pad
DDHCCOL	College hammer / discus cage, 6.15M height for dual pad
DDHCCOLT	College tall hammer / discus cage, 8M height for dual pad
DDHCCOLXT	College extra tall hammer / discus cage, 9.54M height for dual pad
DHCWorld Athletics	World Athletics hammer / discus cage, 10M height for single pad
DDHCWorld Athletics	World Athletics hammer / discus cage, 10M height for dual pad

UNITED STATES PATENT #8,186,684, ISSUED MAY 29, 2012
UNITED STATES PATENT #8,578,678, ISSUED NOVEMBER 12, 2013

MEETS AND/OR EXCEEDS CURRENT NFHS, NCAA AND IAAF
SPECIFICATIONS, RULES AND REQUIREMENTS



PROPRIETARY AND CONFIDENTIAL

THE INFORMATION CONTAINED IN THIS DRAWING IS THE SOLE PROPERTY OF SPORTSFIELD SPECIALTIES INC. ANY REPRODUCTION IN PART OR AS A WHOLE WITHOUT THE WRITTEN PERMISSION OF SPORTSFIELD SPECIALTIES INC. IS PROHIBITED.

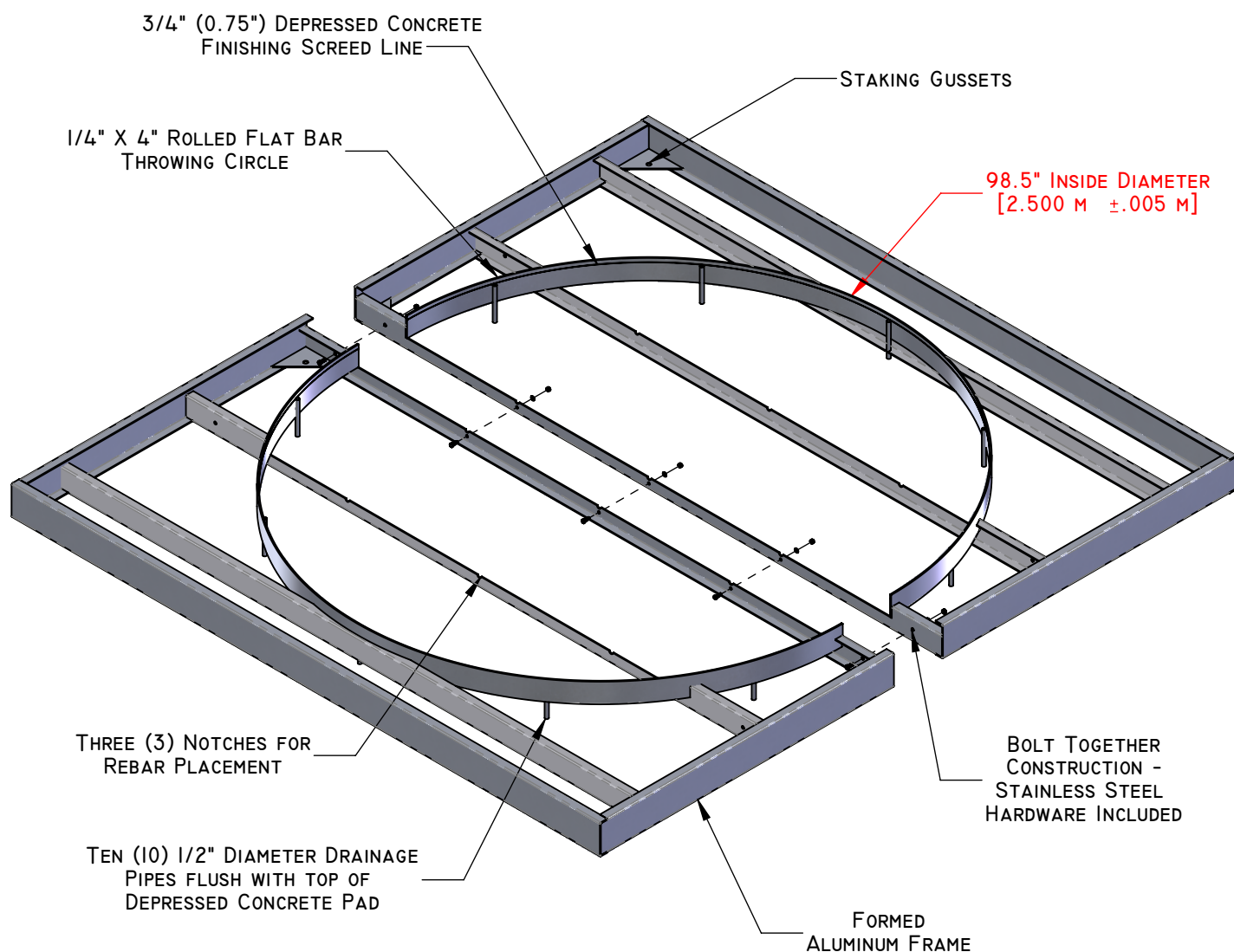
**TFSP (TFSPTF084) - SHOT PUT/HAMMER
THROWFORM® SYSTEM**

NOT TO SCALE

SPORTSFIELD SPECIALTIES INC 05172017

UNITED STATES PATENT #8,186,684, ISSUED MAY 29, 2012
UNITED STATES PATENT #8,578,678, ISSUED NOVEMBER 12, 2013

MEETS AND/OR EXCEEDS CURRENT NFHS, NCAA AND IAAF
SPECIFICATIONS, RULES AND REQUIREMENTS



PROPRIETARY AND CONFIDENTIAL

THE INFORMATION CONTAINED IN THIS DRAWING IS THE SOLE PROPERTY OF SPORTSFIELD SPECIALTIES INC. ANY REPRODUCTION IN PART OR AS A WHOLE WITHOUT THE WRITTEN PERMISSION OF SPORTSFIELD SPECIALTIES INC. IS PROHIBITED.

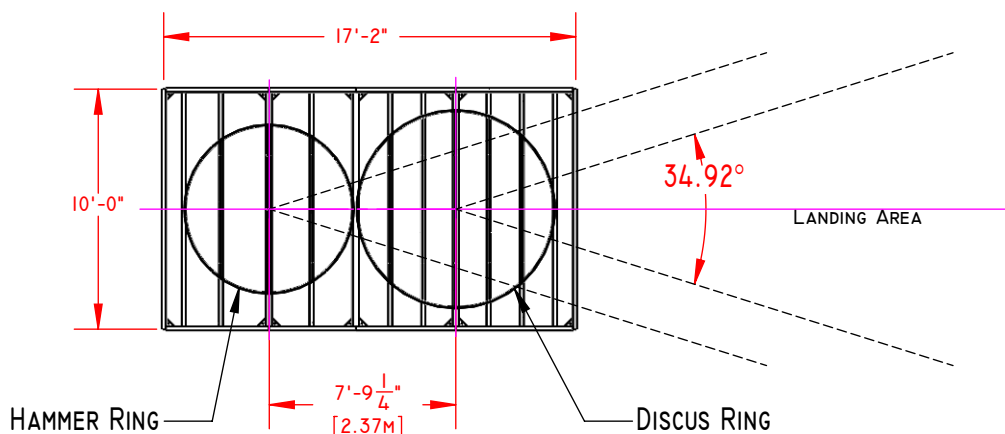
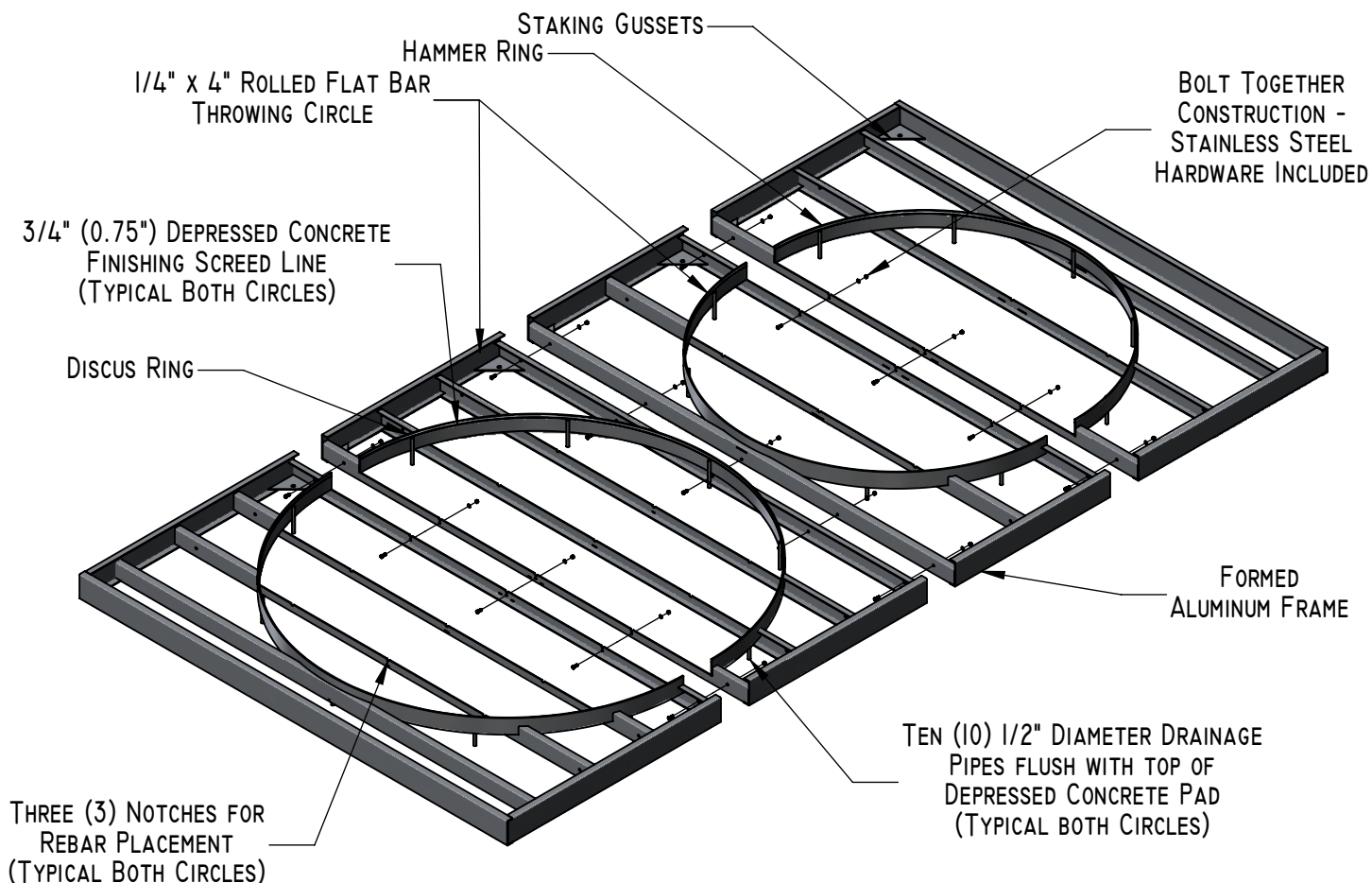
TFD (TFDCTF099) - DISCUS THROWFORM® SYSTEM

NOT TO SCALE

SPORTSFIELD SPECIALTIES INC 05172017

UNITED STATES PATENT #8,186,684, ISSUED MAY 29, 2012
UNITED STATES PATENT #8,578,678, ISSUED NOVEMBER 12, 2013

MEETS AND/OR EXCEEDS CURRENT NFHS, NCAA AND IAAF
SPECIFICATIONS, RULES AND REQUIREMENTS



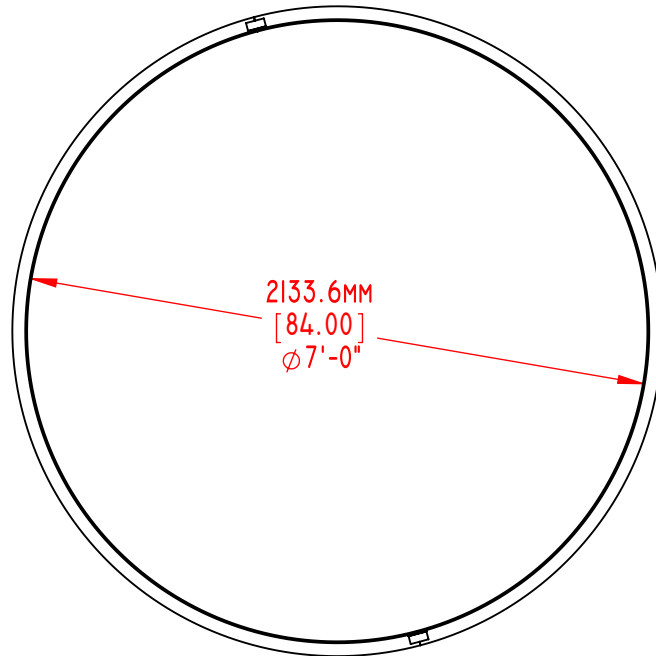
PROPRIETARY AND CONFIDENTIAL

THE INFORMATION CONTAINED IN THIS
DRAWING IS THE SOLE PROPERTY OF
SPORTSFIELD SPECIALTIES INC. ANY
REPRODUCTION IN PART OR AS A WHOLE
WITHOUT THE WRITTEN PERMISSION OF
SPORTSFIELD SPECIALTIES INC. IS
PROHIBITED.

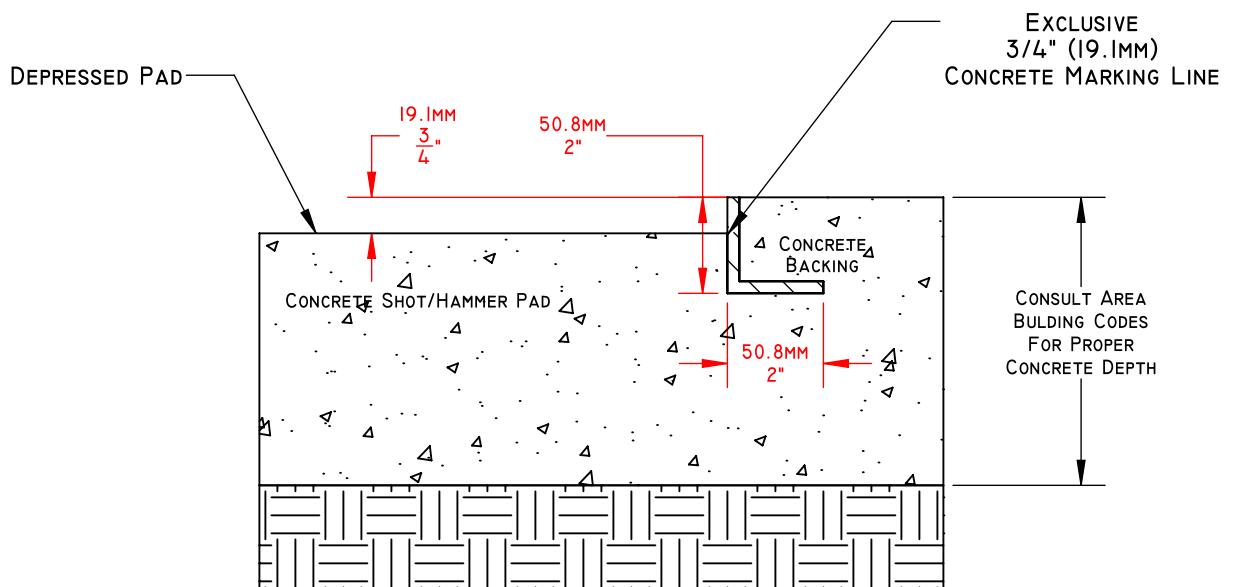
**TFDDH (TFDDHCTF) - DUAL PAD DISCUS/HAMMER
THROWFORM® SYSTEM**

NOT TO SCALE

SPORTSFIELD SPECIALTIES INC 05172017



PLAN VIEW



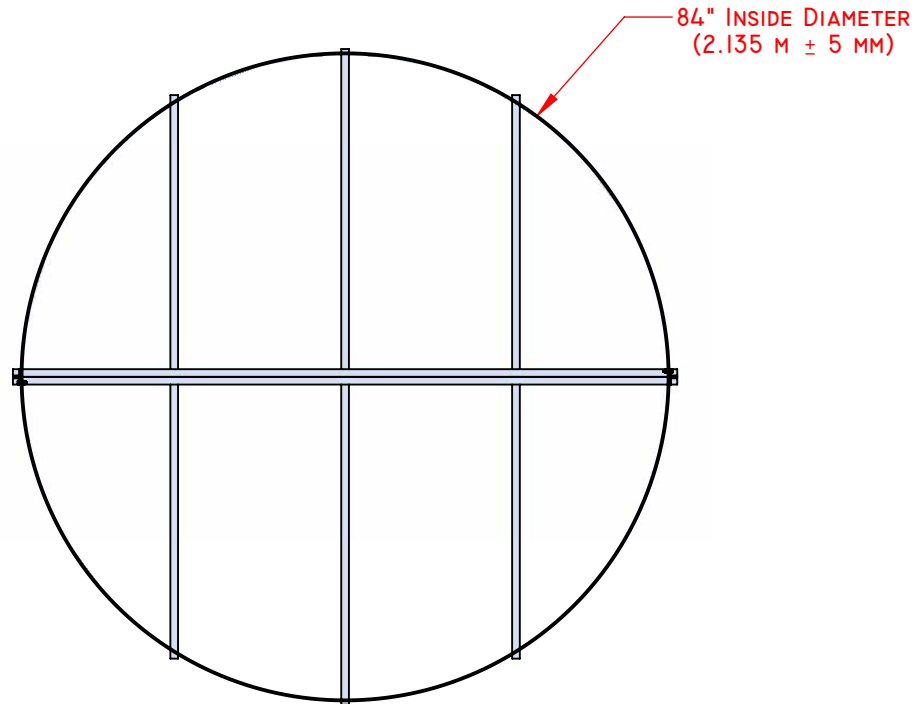
I.A.A.F. CERT.# E-14-0809

PROPRIETARY AND CONFIDENTIAL
THE INFORMATION CONTAINED IN THIS
DRAWING IS THE SOLE PROPERTY OF
SPORTSFIELD SPECIALTIES INC. ANY
REPRODUCTION IN PART OR AS A WHOLE
WITHOUT THE WRITTEN PERMISSION OF
SPORTSFIELD SPECIALTIES INC. IS
PROHIBITED.

**TRSPHAA (TFSPH084AL) - SHOT PUT/HAMMER THROW RINGS
DEPRESSED PAD INSTALLATION**

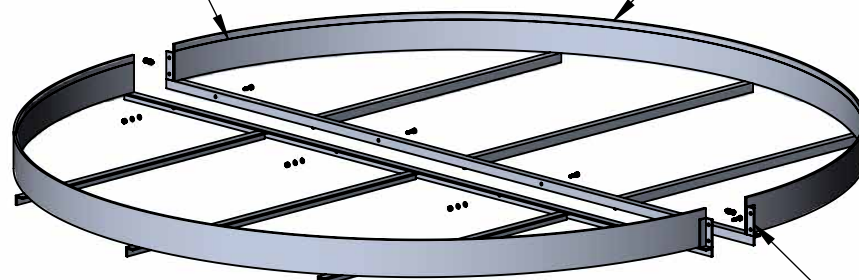
NOT TO SCALE

SPORTSFIELD SPECIALTIES INC I2052016



3/4" (0.75") DEPRESSED
 CONCRETE FINISHING SCREED LINE

1/4" x 4" ALUMINUM
 ROLLED THROW RING



1" x 1" x 3/16" ALUMINUM
 ANGLE SUPPORTS

BOLT TOGETHER
 CONSTRUCTION
 STAINLESS STEEL
 HARDWARE INCLUDED

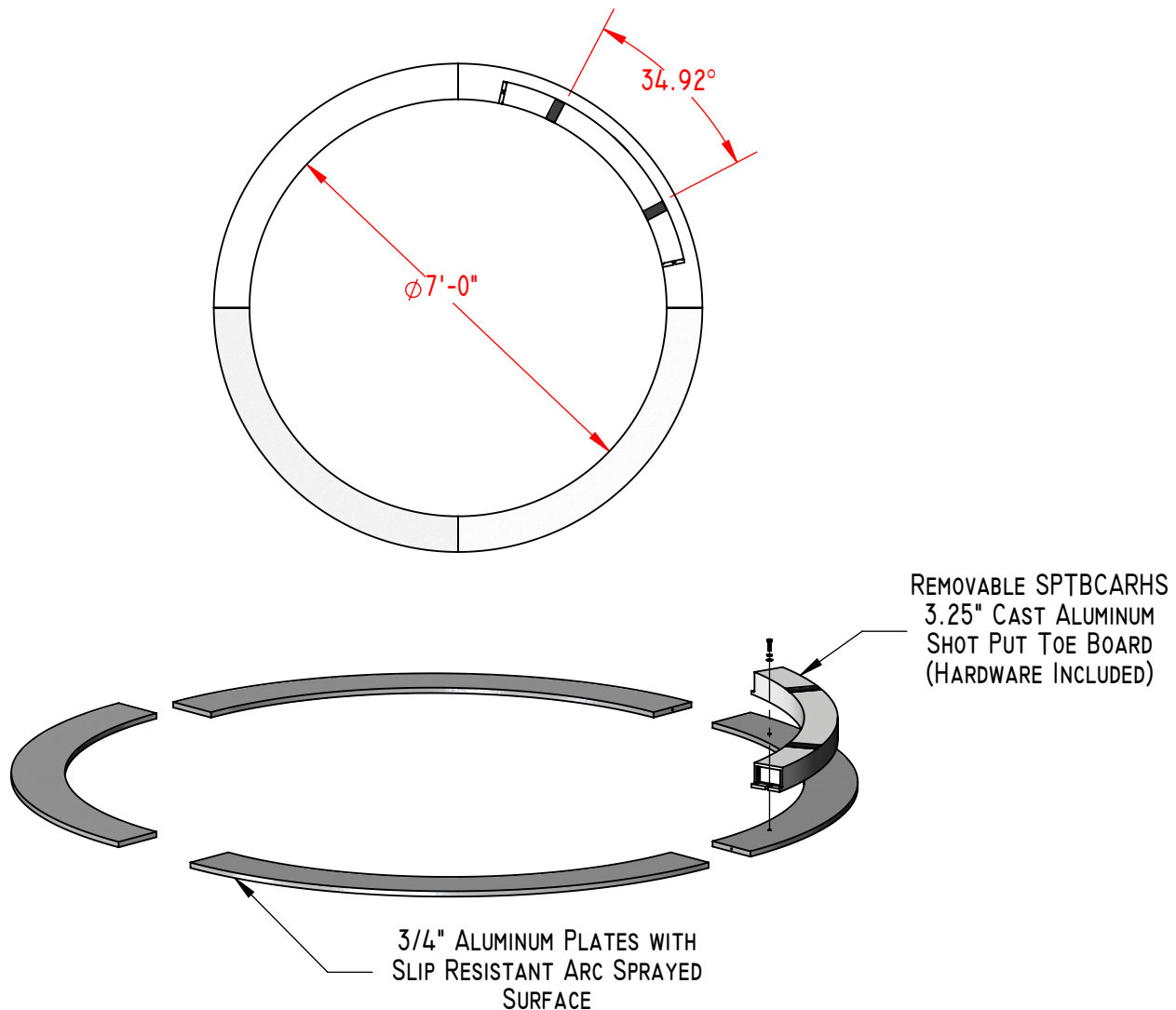
PROPRIETARY AND CONFIDENTIAL
 THE INFORMATION CONTAINED IN THIS
 DRAWING IS THE SOLE PROPERTY OF
 SPORTSFIELD SPECIALTIES INC. ANY
 REPRODUCTION IN PART OR AS A WHOLE
 WITHOUT THE WRITTEN PERMISSION OF
 SPORTSFIELD SPECIALTIES INC. IS
 PROHIBITED.

**TRSPHAW (TFSWRING)
 SHOT PUT/HAMMER WEB REINFORCED THROW RING**

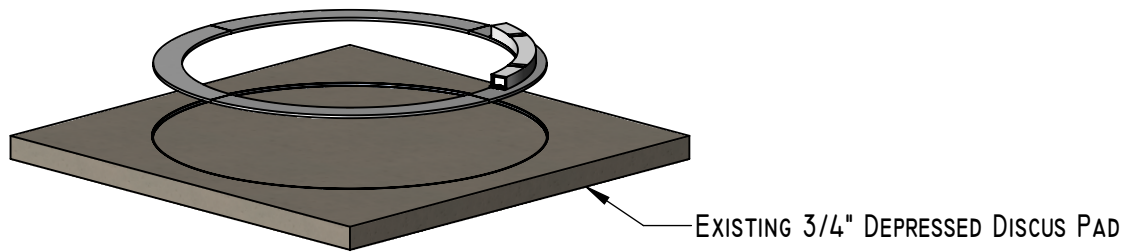
NOT TO SCALE

SPORTSFIELD SPECIALTIES INC 12052016

STANDARD WHITE POWDER COATED FINISH



ASSEMBLY CONVERTS EXISTING DISCUS RING TO SHOT PUT/HAMMER RING



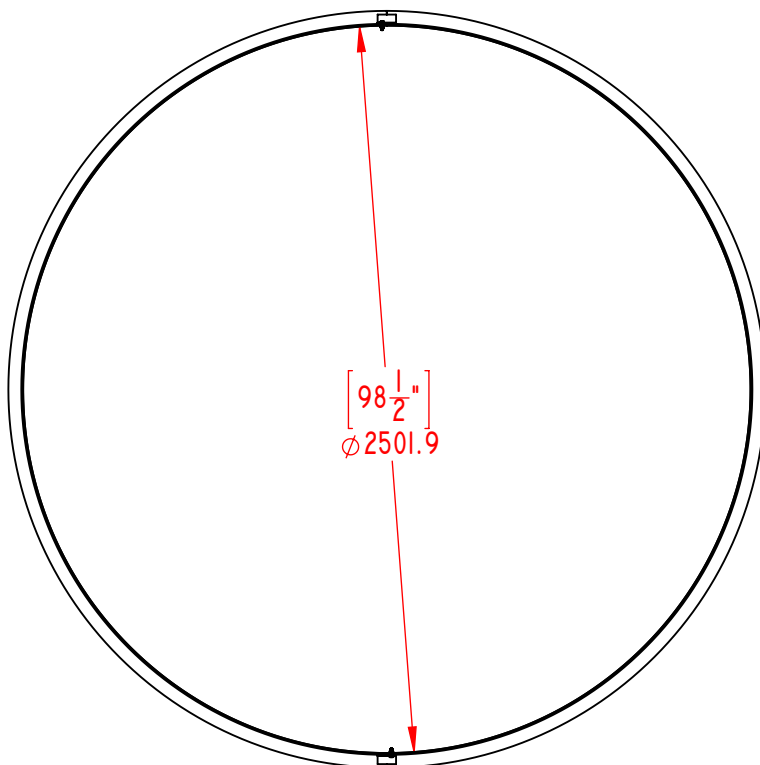
PROPRIETARY AND CONFIDENTIAL

THE INFORMATION CONTAINED IN THIS DRAWING IS THE SOLE PROPERTY OF SPORTSFIELD SPECIALTIES INC. ANY REPRODUCTION IN PART OR AS A WHOLE WITHOUT THE WRITTEN PERMISSION OF SPORTSFIELD SPECIALTIES INC. IS PROHIBITED.

TRSPHC (TFSPCR) - SHOT PUT/HAMMER CONVERSION RING

NOT TO SCALE

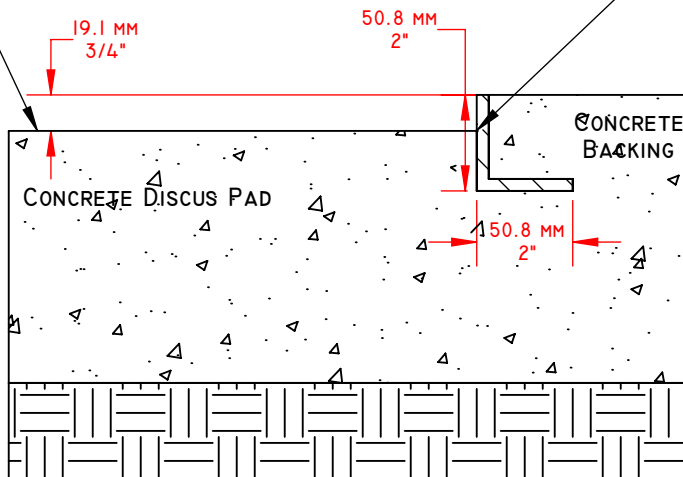
SPORTSFIELD SPECIALTIES INC 03282019



PLAN VIEW

DEPRESSED PAD

EXCLUSIVE
 3/4" (19.1MM)
 CONCRETE MARKING LINE



CONSULT AREA
 BUILDING CODES
 FOR PROPER
 CONCRETE DEPTH

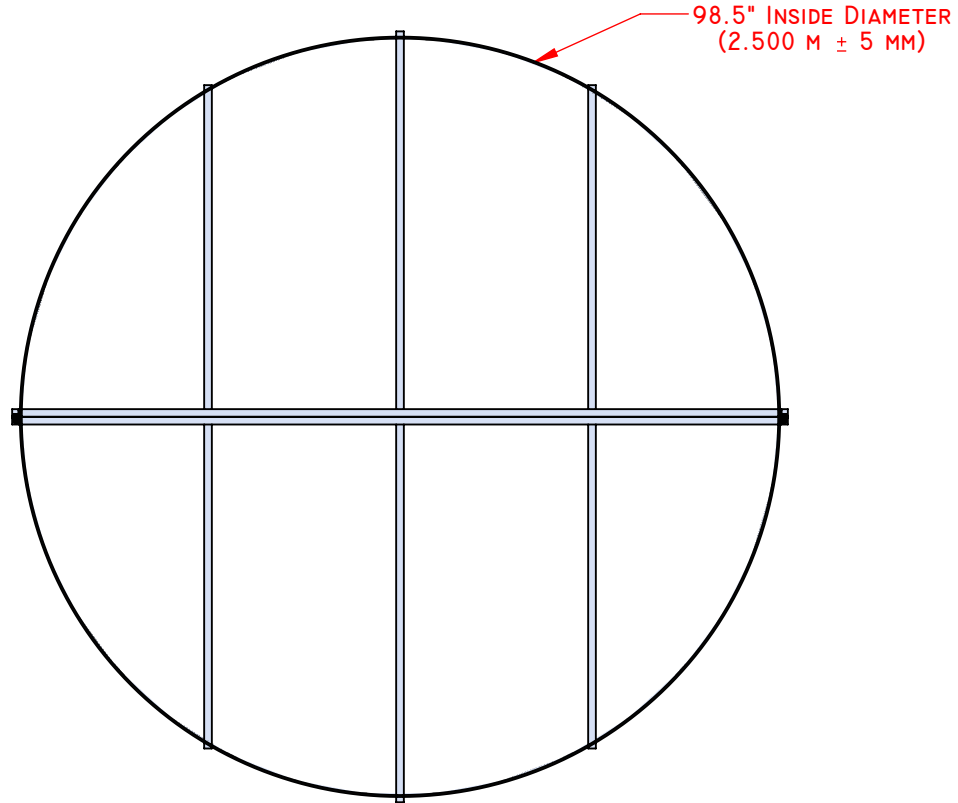
SITE VIEW

PROPRIETARY AND CONFIDENTIAL
 THE INFORMATION CONTAINED IN THIS
 DRAWING IS THE SOLE PROPERTY OF
 SPORTSFIELD SPECIALTIES INC. ANY
 REPRODUCTION IN PART OR AS A WHOLE
 WITHOUT THE WRITTEN PERMISSION OF
 SPORTSFIELD SPECIALTIES INC. IS
 PROHIBITED.

**TRDAA (TFD099AL) - DISCUS THROW RING
 DEPRESSED PAD INSTALLATION**

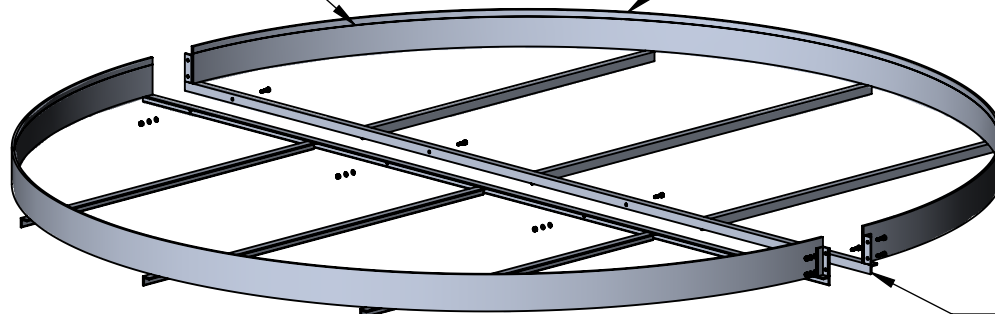
NOT TO SCALE

SPORTSFIELD SPECIALTIES INC 12052016



3/4" (0.75") DEPRESSED
 CONCRETE FINISHING SCREED LINE

1/4" x 4" ALUMINUM
 ROLLED THROW RING



1" x 1" x 3/16" ALUMINUM
 ANGLE SUPPORTS

BOLT TOGETHER
 CONSTRUCTION
 STAINLESS STEEL
 HARDWARE INCLUDED

PROPRIETARY AND CONFIDENTIAL
 THE INFORMATION CONTAINED IN THIS
 DRAWING IS THE SOLE PROPERTY OF
 SPORTSFIELD SPECIALTIES INC. ANY
 REPRODUCTION IN PART OR AS A WHOLE
 WITHOUT THE WRITTEN PERMISSION OF
 SPORTSFIELD SPECIALTIES INC. IS
 PROHIBITED.

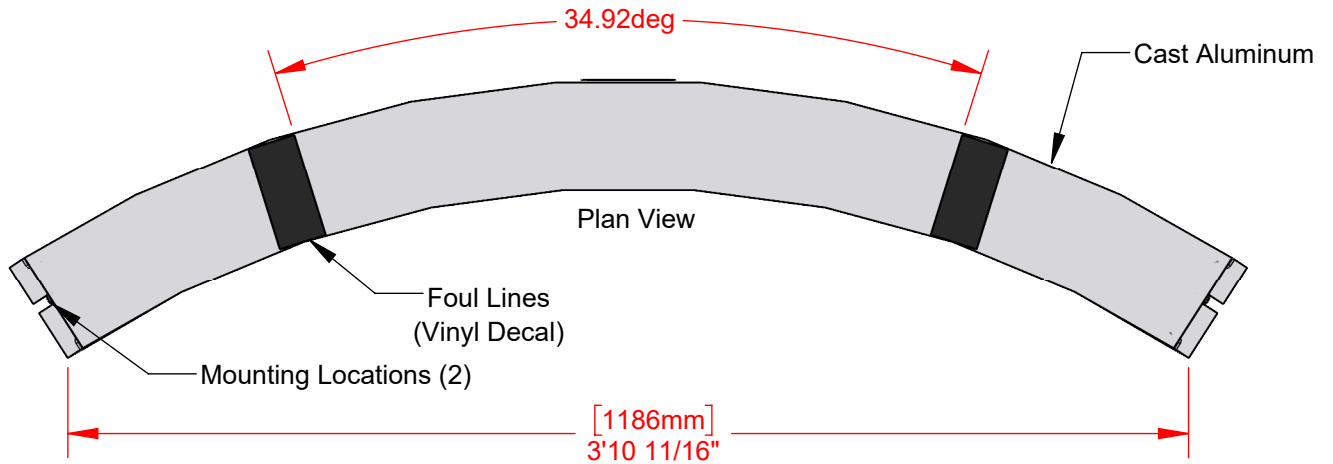
**TRDAW (TFDWRING)
 DISCUS WEB REINFORCED THROW RING**

NOT TO SCALE

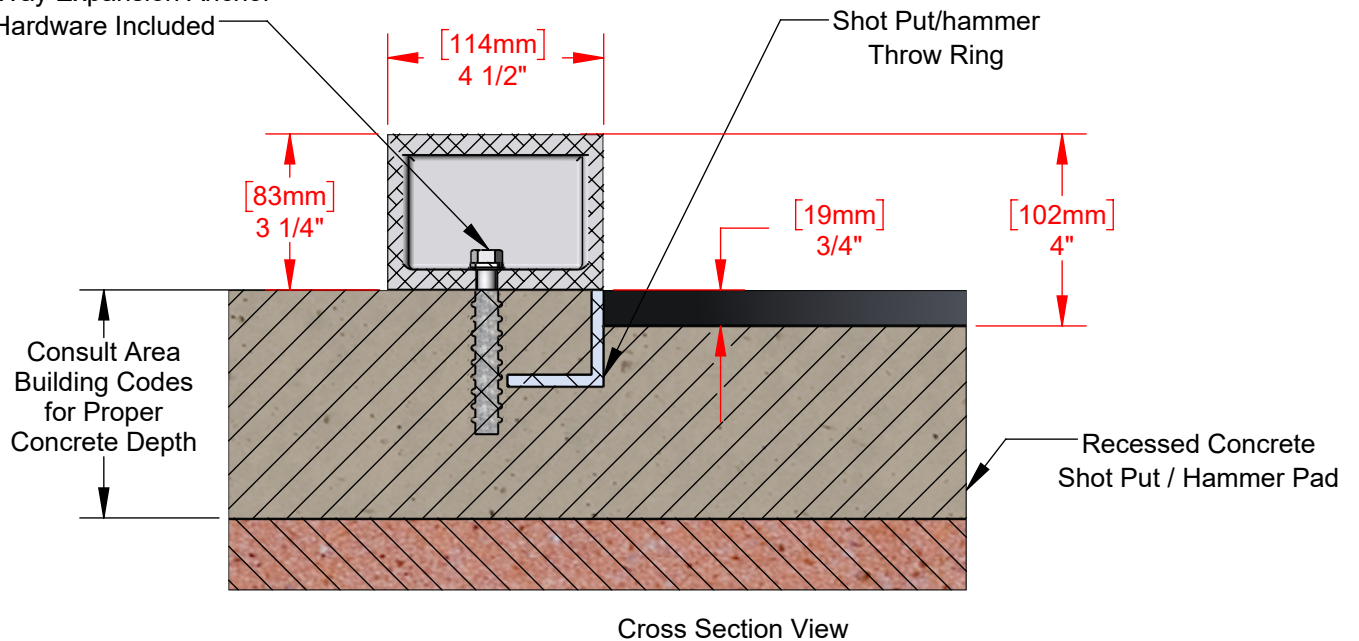
SPORTSFIELD SPECIALTIES INC I2062016

Powder Coated White Finish

Meets and/or Exceeds Current NFHS Specifications, Rules and Requirements



3/8"-16 x 2"L Hex Head Bolt,
 Flat Washer, Lock Washer and
 Two-Way Expansion Anchor
 Hardware Included



PROPRIETARY AND CONFIDENTIAL

THE INFORMATION CONTAINED IN THIS DRAWING IS THE SOLE PROPERTY OF SPORTSFIELD SPECIALTIES INC. ANY REPRODUCTION IN PART OR AS A WHOLE WITHOUT THE WRITTEN PERMISSION OF SPORTSFIELD SPECIALTIES INC. IS PROHIBITED.

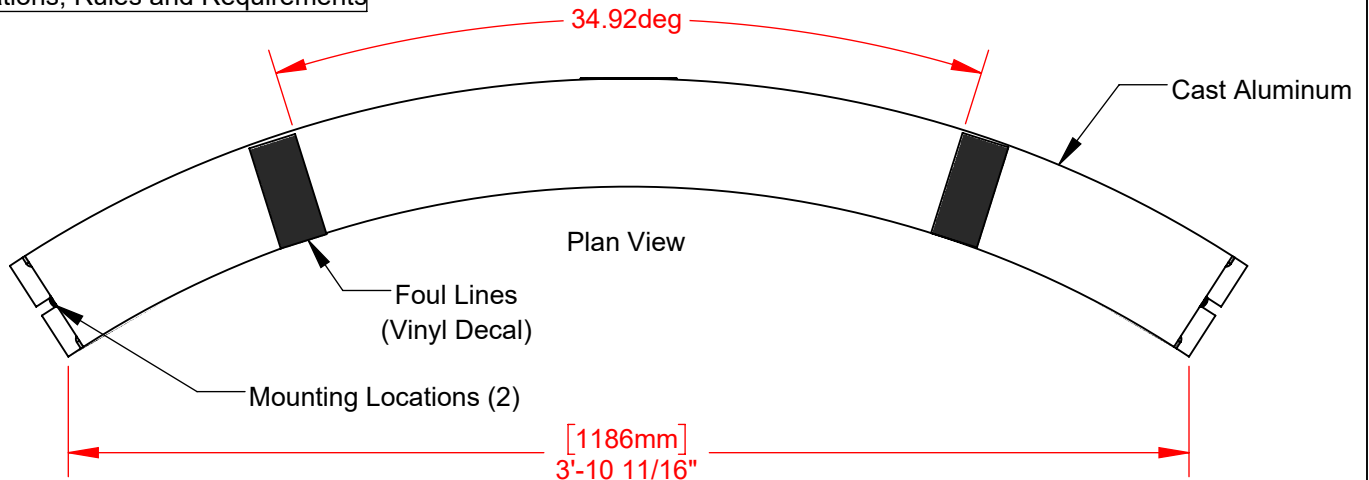
SPTBCARHS - High School Shot Put Toe Board Recessed Concrete Pad Installation

Not To Scale

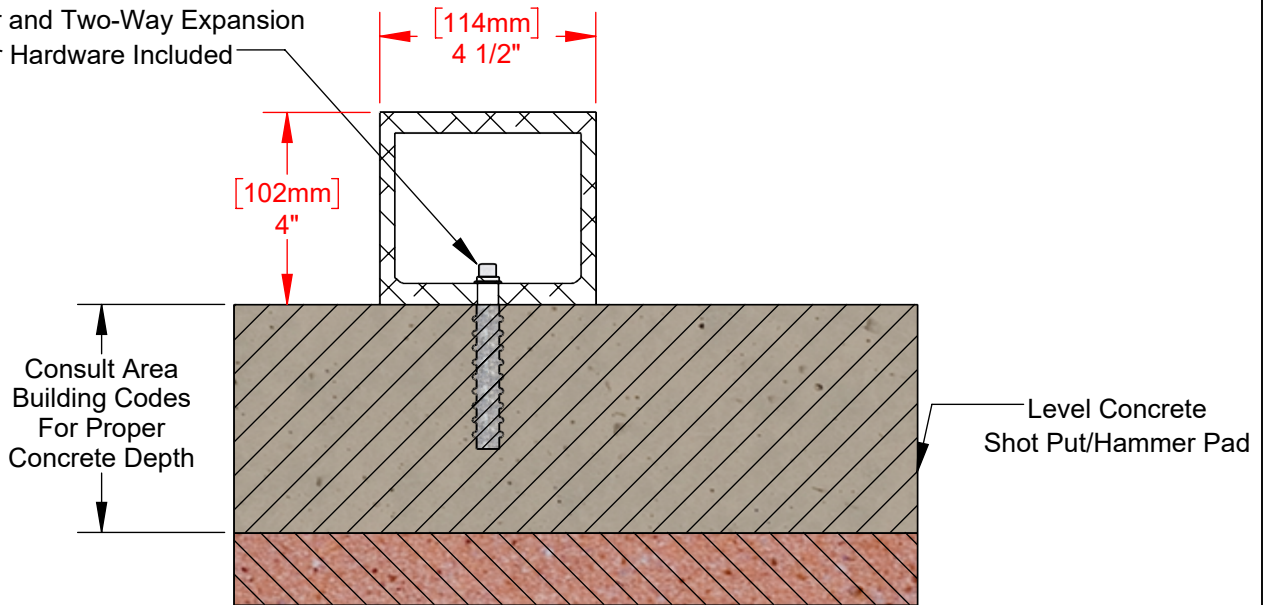
Sportsfield Specialties Inc 105782.1-221220

Meets and/or Exceeds Current NFHS Specifications, Rules and Requirements

Powder Coated White Finish



3/8"-16 x 2" Hex Head Bolt, Flat Washer, Lock Washer and Two-Way Expansion Anchor Hardware Included



PROPRIETARY AND CONFIDENTIAL

THE INFORMATION CONTAINED IN THIS DRAWING IS THE SOLE PROPERTY OF SPORTSFIELD SPECIALTIES INC. ANY REPRODUCTION IN PART OR AS A WHOLE WITHOUT THE WRITTEN PERMISSION OF SPORTSFIELD SPECIALTIES INC. IS PROHIBITED.

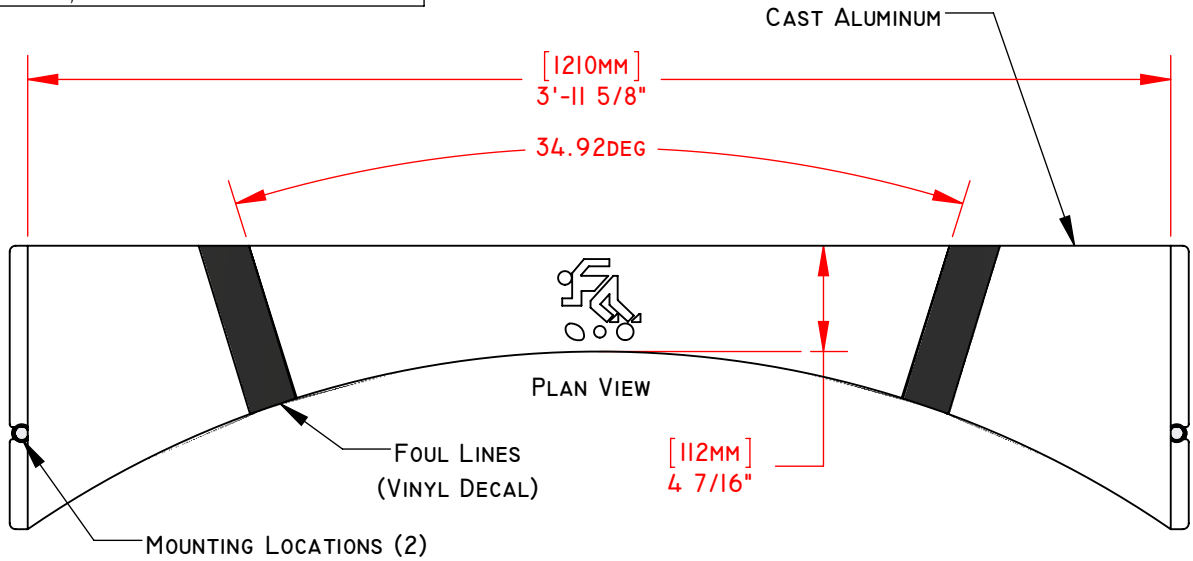
SPTBCALHS - High School Shot Put Toe Board Level Pad Installation

Not To Scale

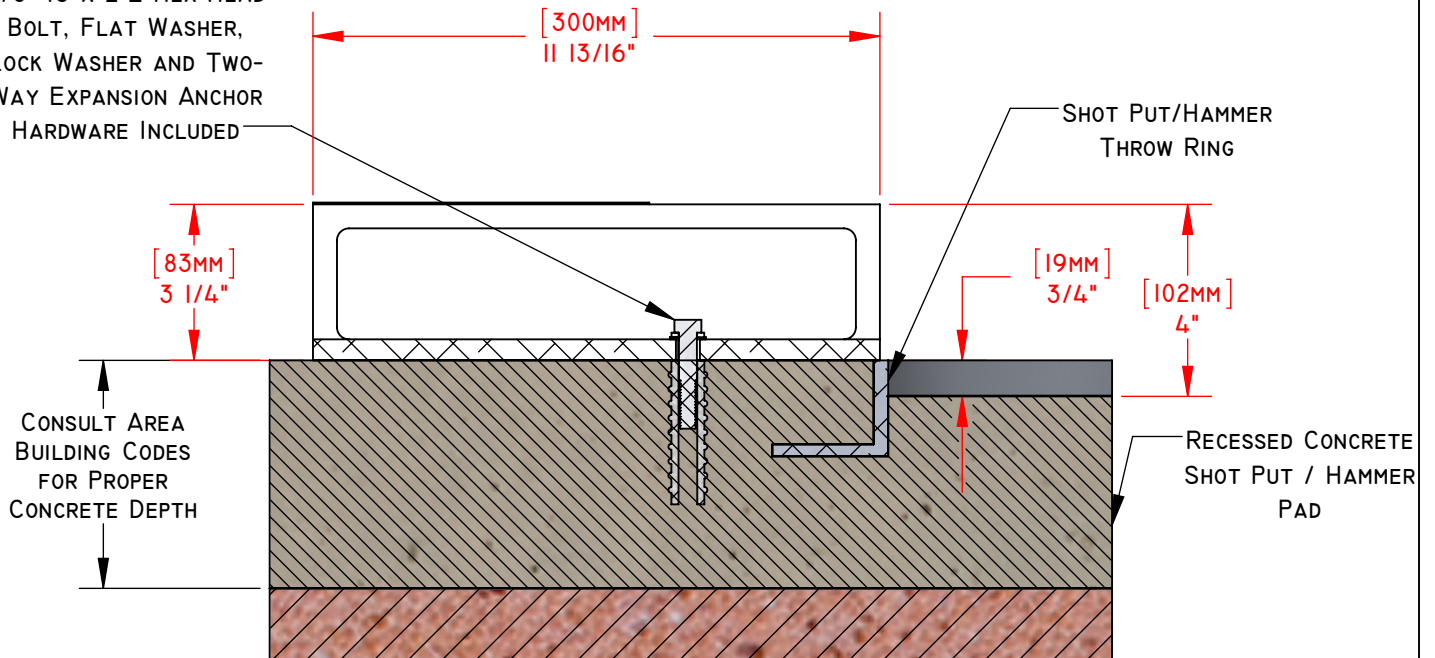
Sportsfield Specialties Inc 105785.1-221220

MEETS AND/OR EXCEEDS CURRENT NCAA AND IAAF
SPECIFICATIONS, RULES AND REQUIREMENTS

POWDER COATED WHITE FINISH



3/8"-16 x 2"L HEX HEAD
BOLT, FLAT WASHER,
LOCK WASHER AND TWO-
WAY EXPANSION ANCHOR
HARDWARE INCLUDED



CROSS SECTION VIEW

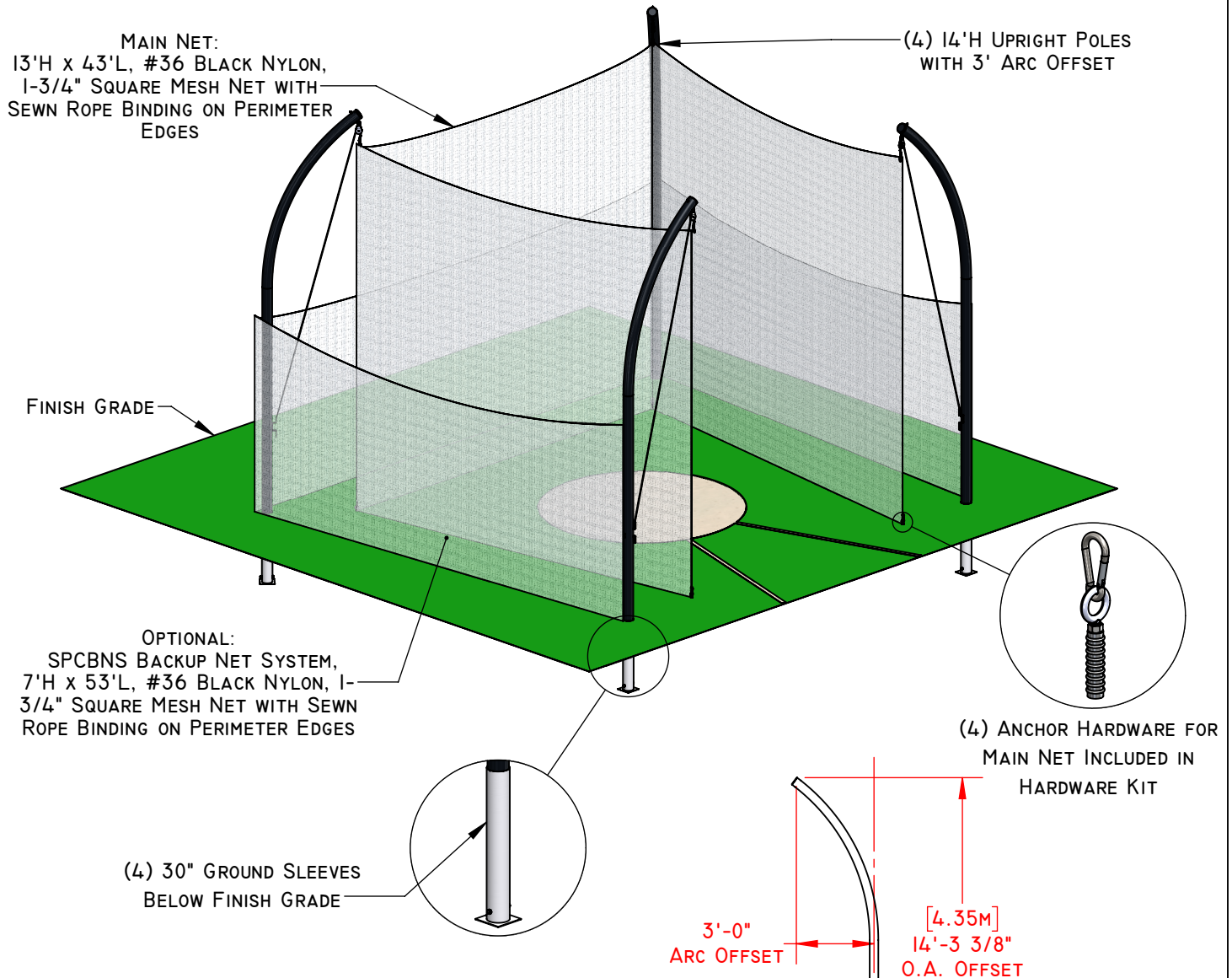
PROPRIETARY AND CONFIDENTIAL
THE INFORMATION CONTAINED IN THIS
DRAWING IS THE SOLE PROPERTY OF
SPORTSFIELD SPECIALTIES INC. ANY
REPRODUCTION IN PART OR AS A WHOLE
WITHOUT THE WRITTEN PERMISSION OF
SPORTSFIELD SPECIALTIES INC. IS
PROHIBITED.

**SPTBCARCOL - COLLEGE / IAAF SHOT PUT TOE BOARD
RECESSED CONCRETE PAD INSTALLATION**

NOT TO SCALE

SPORTSFIELD SPECIALTIES INC 05162017

STANDARD BLACK POWDER COATED FINISH



SPORTSFIELD SPECIALTIES, INC. STRONGLY RECOMMENDS THE REMOVAL OF ALL NETS PRIOR TO EXPOSURE TO WINTER WEATHER, INCLUDING SNOW AND/OR ICE STORMS. WHENEVER POSSIBLE, THE NETS SHOULD ALSO BE LOWERED PRIOR TO ANY EXTREME WIND EVENTS. REMOVAL/LOWERING OF THE NETS WILL MITIGATE ANY UNFORESEEN DAMAGE TO THE POLES, NETS AND/OR ATTACHMENT HARDWARE. STORING NETS IN A DRY, PEST FREE LOCATION WILL HELP EXTEND THE LIFE OF THE NETS. SPORTSFIELD SPECIALTIES, INC. WILL NOT BE HELD LIABLE OR ASSUME RESPONSIBILITY FOR ANY DAMAGE TO THE NETS, POLES AND/OR CORRESPONDING ATTACHMENT HARDWARE IF THE NETS ARE NOT REMOVED/LOWERING PRIOR TO THE ABOVE DESCRIBED WIND AND/OR WEATHER EVENTS.

PROPRIETARY AND CONFIDENTIAL
 THE INFORMATION CONTAINED IN THIS DRAWING IS THE SOLE PROPERTY OF SPORTSFIELD SPECIALTIES INC. ANY REPRODUCTION IN PART OR AS A WHOLE WITHOUT THE WRITTEN PERMISSION OF SPORTSFIELD SPECIALTIES INC. IS PROHIBITED.

NOT TO SCALE

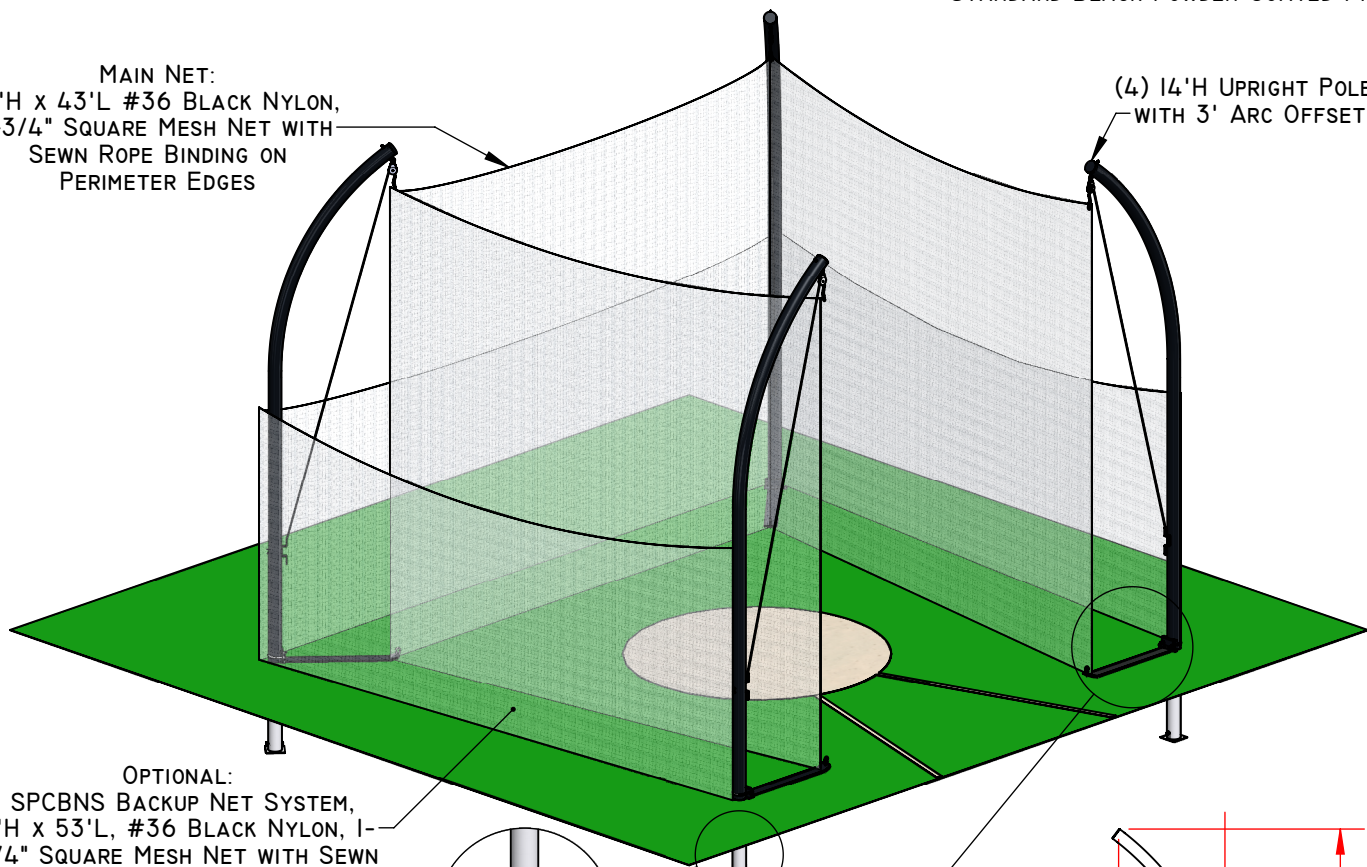
**SPC (TFSPC) SHOT PUT CAGE
 WITH OPTIONAL BACKUP NET SYSTEM**

SPORTSFIELD SPECIALTIES INC 12192018

STANDARD BLACK POWDER COATED FINISH

MAIN NET:
13'H x 43'L #36 BLACK NYLON,
1-3/4" SQUARE MESH NET WITH
SEWN ROPE BINDING ON
PERIMETER EDGES

(4) 14'H UPRIGHT POLES
WITH 3' ARC OFFSET



OPTIONAL:
SPCBNS BACKUP NET SYSTEM,
7'H x 53'L, #36 BLACK NYLON, 1-
3/4" SQUARE MESH NET WITH SEWN
ROPE BINDING ON PERIMETER EDGES

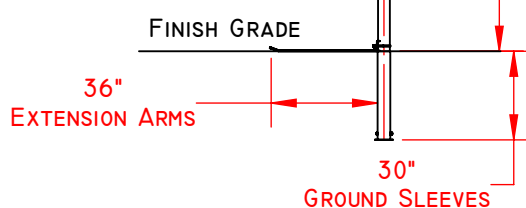
(4) 30" GROUND SLEEVES
BELOW FINISH GRADE

NET STABILIZING EXTENSION
ARMS HINGE UPWARDS FOR
GROUNDS MAINTENANCE

MAIN NET ATTACHES TO SPRING
HOOK ON (4) HINGED NET
STABILIZER EXTENSION ARMS

3'-0"
ARC OFFSET

[4.35M]
14'-3 3/8"
O.A. HEIGHT



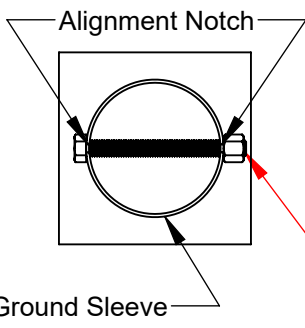
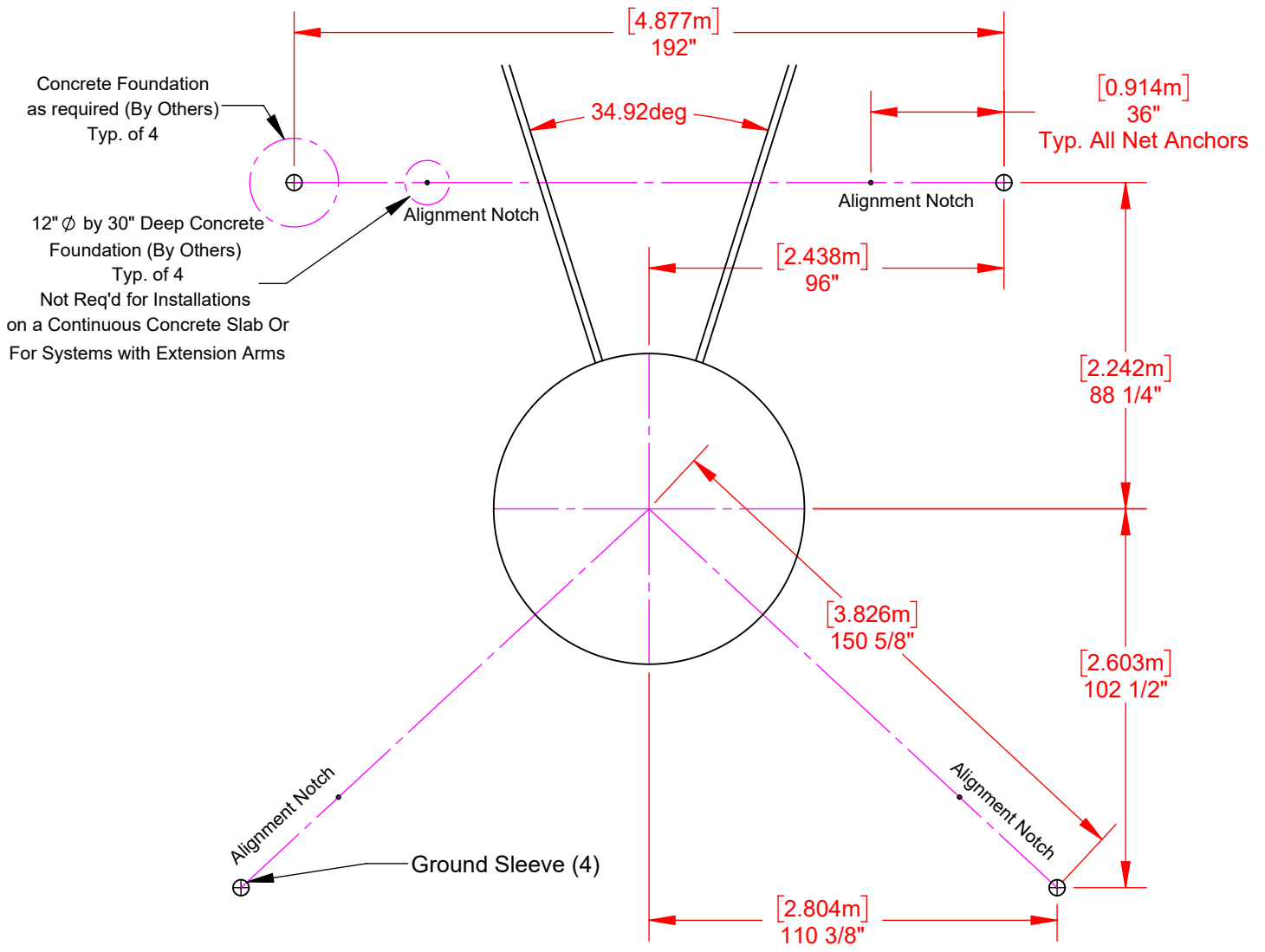
SPORTSFIELD SPECIALTIES, INC. STRONGLY RECOMMENDS THE REMOVAL OF ALL NETS PRIOR TO EXPOSURE TO WINTER WEATHER, INCLUDING SNOW AND/OR ICE STORMS. WHENEVER POSSIBLE, THE NETS SHOULD ALSO BE LOWERED PRIOR TO ANY EXTREME WIND EVENTS. REMOVAL/LOWERING OF THE NETS WILL MITIGATE ANY UNFORESEEN DAMAGE TO THE POLES, NETS AND/OR ATTACHMENT HARDWARE. STORING NETS IN A DRY, PEST FREE LOCATION WILL HELP EXTEND THE LIFE OF THE NETS. SPORTSFIELD SPECIALTIES, INC. WILL NOT BE HELD LIABLE OR ASSUME RESPONSIBILITY FOR ANY DAMAGE TO THE NETS, POLES AND/OR CORRESPONDING ATTACHMENT HARDWARE IF THE NETS ARE NOT REMOVED/LOWERED PRIOR TO THE ABOVE DESCRIBED WIND AND/OR WEATHER EVENTS.

PROPRIETARY AND CONFIDENTIAL
THE INFORMATION CONTAINED IN THIS DRAWING IS THE SOLE PROPERTY OF SPORTSFIELD SPECIALTIES INC. ANY REPRODUCTION IN PART OR AS A WHOLE WITHOUT THE WRITTEN PERMISSION OF SPORTSFIELD SPECIALTIES INC. IS PROHIBITED.

**SPCEA (TFSPCCOLL-EXT) SHOT PUT CAGE WITH HINGED NET
STABILIZER EXTENSION ARMS WITH OPTIONAL BACKUP NET SYSTEM**

NOT TO SCALE

SPORTSFIELD SPECIALTIES INC 12192018



Ground Sleeve Stop Bolt/Alignment Notches Must be Installed per Layout Diagram to Allow for Proper Orientation of Upright Pole

Note: Top of Ground Sleeves Installed at Finish Grade

Foundation Requirements Based on Local Codes and Soil Conditions

PROPRIETARY AND CONFIDENTIAL

THE INFORMATION CONTAINED IN THIS DRAWING IS THE SOLE PROPERTY OF SPORTSFIELD SPECIALTIES INC. ANY REPRODUCTION IN PART OR AS A WHOLE WITHOUT THE WRITTEN PERMISSION OF SPORTSFIELD SPECIALTIES INC. IS PROHIBITED.

Shot Put Cage Ground Sleeve Layout

Not To Scale

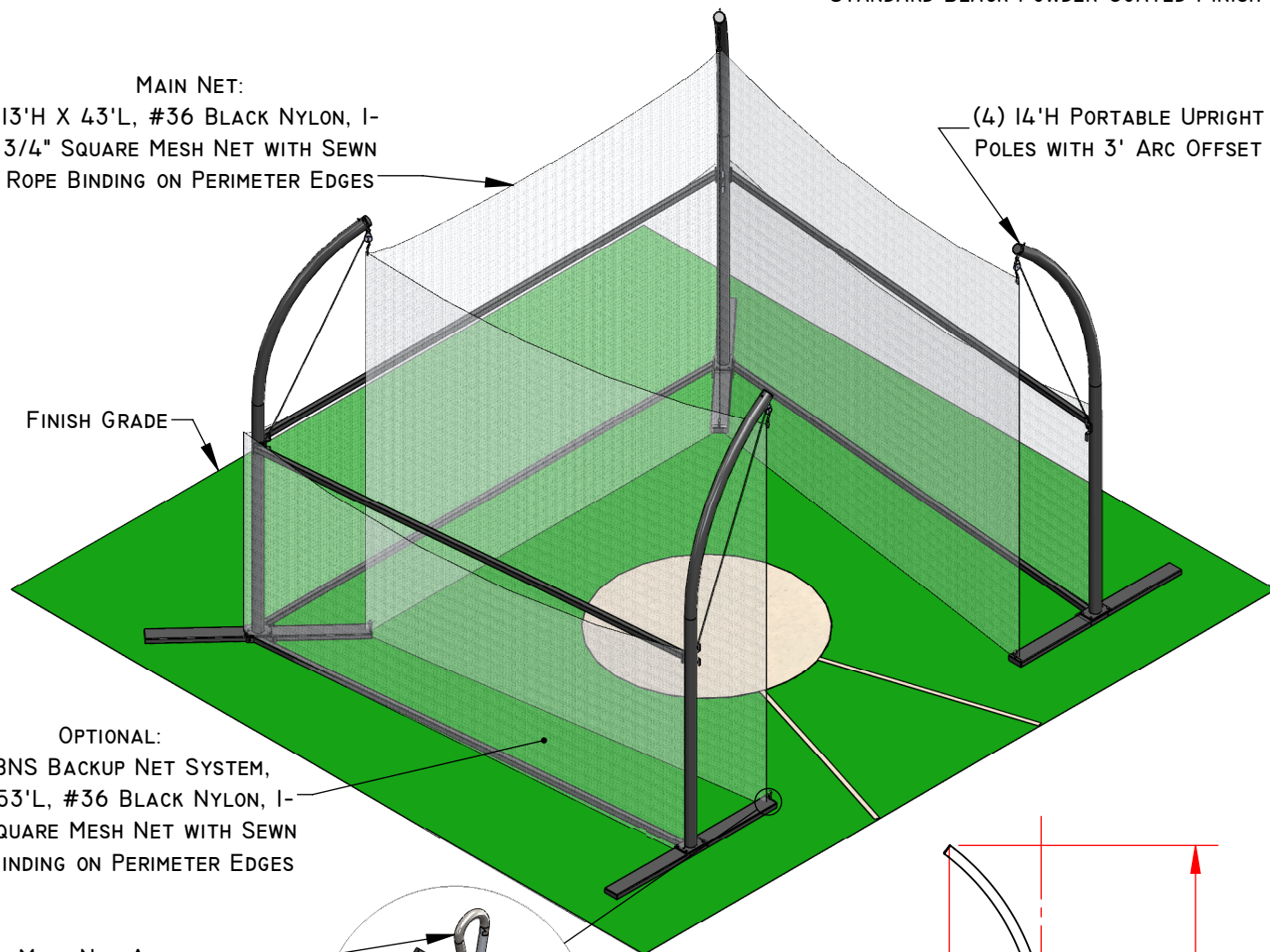
Sportsfield Specialties Inc 105798.1-221220

STANDARD BLACK POWDER COATED FINISH

MAIN NET:
13'H X 43'L, #36 BLACK NYLON, 1-3/4" SQUARE MESH NET WITH SEWN ROPE BINDING ON PERIMETER EDGES

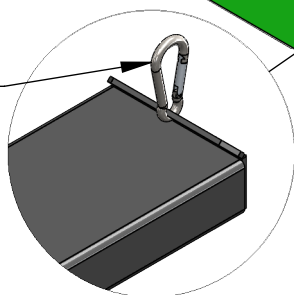
(4) 14'H PORTABLE UPRIGHT POLES WITH 3' ARC OFFSET

FINISH GRADE



OPTIONAL:
SPCBNS BACKUP NET SYSTEM,
7'H x 53'L, #36 BLACK NYLON, 1-3/4" SQUARE MESH NET WITH SEWN ROPE BINDING ON PERIMETER EDGES

MAIN NET ATTACHES TO SPRING HOOK ON (4) POLE BASES FOR NET STABILITY



3'-0"
ARC OFFSET

[4.35M]
14'-3 3/8"
O.A. HEIGHT

FINISH GRADE

[1.94M]
6'-4 5/16"
PORTABLE BASE

SPORTSFIELD SPECIALTIES, INC. STRONGLY RECOMMENDS THE REMOVAL OF ALL NETS PRIOR TO EXPOSURE TO WINTER WEATHER, INCLUDING SNOW AND/OR ICE STORMS. WHENEVER POSSIBLE, THE NETS SHOULD ALSO BE LOWERED PRIOR TO ANY EXTREME WIND EVENTS. REMOVAL/LOWERING OF THE NETS WILL MITIGATE ANY UNFORESEEN DAMAGE TO THE POLES, NETS AND/OR ATTACHMENT HARDWARE. STORING NETS IN A DRY, PEST FREE LOCATION WILL HELP EXTEND THE LIFE OF THE NETS. SPORTSFIELD SPECIALTIES, INC. WILL NOT BE HELD LIABLE OR ASSUME RESPONSIBILITY FOR ANY DAMAGE TO THE NETS, POLES AND/OR CORRESPONDING ATTACHMENT HARDWARE IF THE NETS ARE NOT REMOVED/LOWERING PRIOR TO THE ABOVE DESCRIBED WIND AND/OR WEATHER EVENTS.

PROPRIETARY AND CONFIDENTIAL

THE INFORMATION CONTAINED IN THIS DRAWING IS THE SOLE PROPERTY OF SPORTSFIELD SPECIALTIES INC. ANY REPRODUCTION IN PART OR AS A WHOLE WITHOUT THE WRITTEN PERMISSION OF SPORTSFIELD SPECIALTIES INC. IS PROHIBITED.

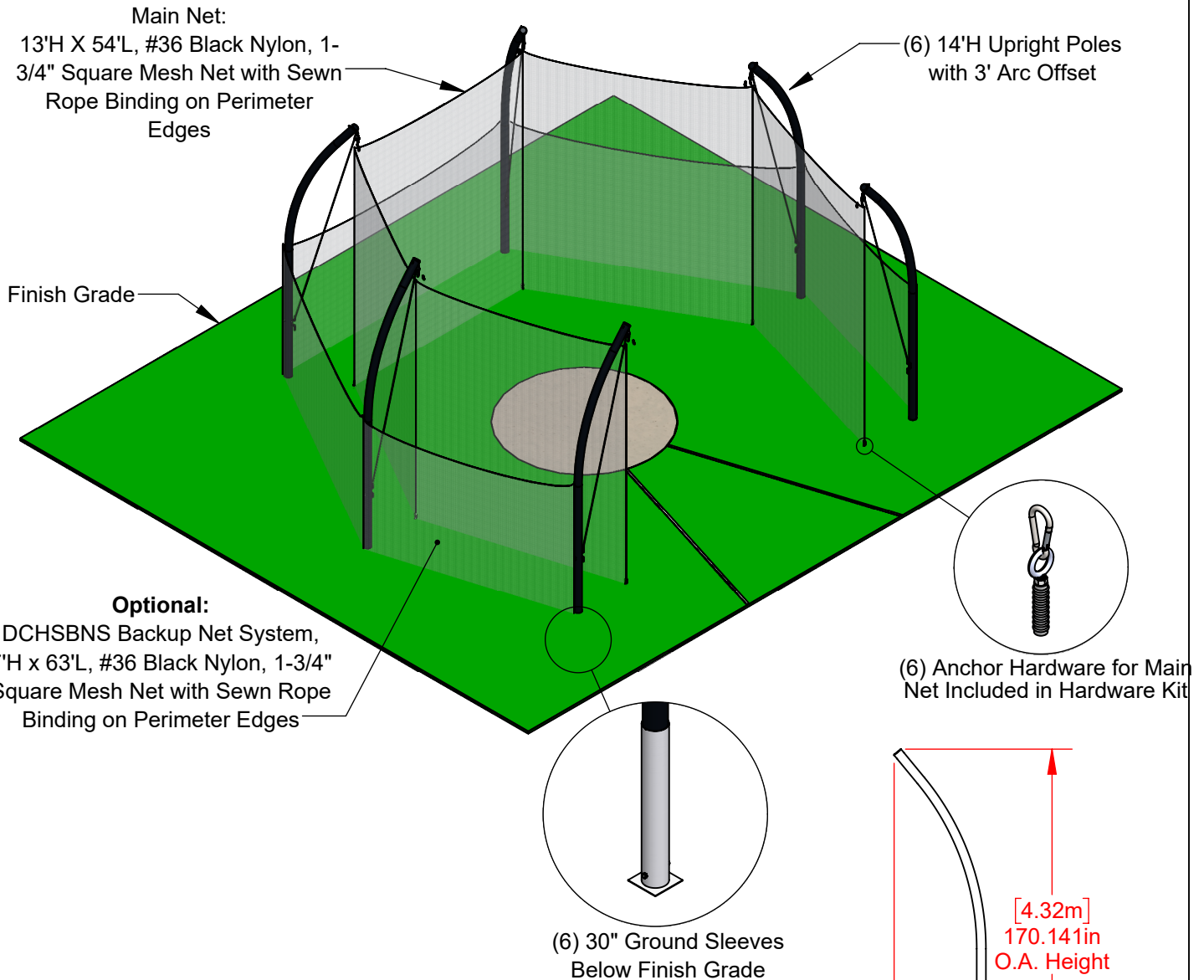
**SPCPT (TFSPCHSPORT) PORTABLE SHOT PUT CAGE
WITH OPTIONAL BACKUP NET SYSTEM**

NOT TO SCALE

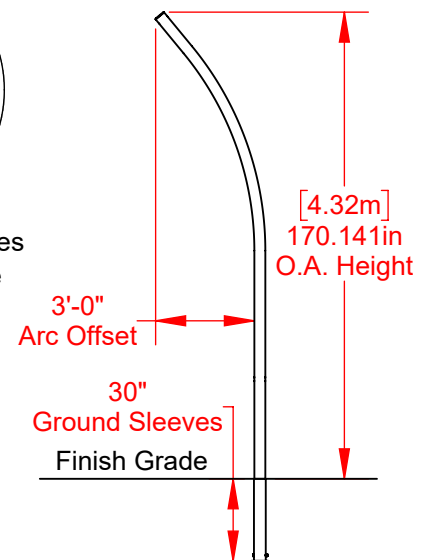
SPORTSFIELD SPECIALTIES INC 1219018

Meets and/or Exceeds Current NFHS Specifications, Rules and Requirements

Standard Black Powder Coated Finish



Sportsfield Specialties, Inc. strongly recommends the removal of all nets prior to exposure to winter weather, including snow and/or ice storms. Whenever possible, the nets should also be lowered prior to any extreme wind events. Removal/Lowering of the nets will mitigate any unforeseen damage to the poles, nets and/or attachment hardware. Storing nets in a dry, pest free location will help extend the life of the nets. Sportsfield Specialties, Inc. will not be held liable or assume responsibility for any damage to the nets, poles and/or corresponding attachment hardware if the nets are not removed/lowered prior to the above described wind and/or weather events.



PROPRIETARY AND CONFIDENTIAL

THE INFORMATION CONTAINED IN THIS DRAWING IS THE SOLE PROPERTY OF SPORTSFIELD SPECIALTIES INC. ANY REPRODUCTION IN PART OR AS A WHOLE WITHOUT THE WRITTEN PERMISSION OF SPORTSFIELD SPECIALTIES INC. IS PROHIBITED.

DCHS - High School Discus Cage with Optional Backup Net System

Not To Scale

Sportsfield Specialties Inc 105801.1-221221

MEETS AND/OR EXCEEDS CURRENT NFHS
SPECIFICATIONS, RULES AND REQUIREMENTS

STANDARD BLACK POWDER COATED FINISH

MAIN NET:
13'H X 54'L, #36 BLACK NYLON, 1-3/4"
SQUARE MESH NET WITH SEWN ROPE
BINDING ON PERIMETER EDGES

(6) 14'H UPRIGHT POLES
WITH 3' ARC OFFSET

FINISH GRADE

OPTIONAL:
DCHSBNS BACKUP NET SYSTEM,
7'H X 63'L, #36 BLACK NYLON, 1-3/4"
SQUARE MESH NET WITH SEWN ROPE
BINDING ON PERIMETER EDGES

NET STABILIZING EXTENSION
ARMS HINGE UPWARDS FOR
GROUNDS MAINTENANCE

MAIN NET ATTACHES
TO SPRING HOOK ON (6)
HINGED NET STABILIZER
EXTENSION ARMS

(6) 30" GROUND SLEEVES
BELOW FINISH GRADE

3'-0"
ARC OFFSET

[4.35M]
14'-3 3/8"
O.A. HEIGHT

FINISH GRADE

36"
EXTENSION ARMS

30"
GROUND SLEEVES

SPORTSFIELD SPECIALTIES, INC. STRONGLY RECOMMENDS THE REMOVAL OF ALL NETS PRIOR TO EXPOSURE TO WINTER WEATHER, INCLUDING SNOW AND/OR ICE STORMS. WHENEVER POSSIBLE, THE NETS SHOULD ALSO BE LOWERED PRIOR TO ANY EXTREME WIND EVENTS. REMOVAL/LOWERING OF THE NETS WILL MITIGATE ANY UNFORESEEN DAMAGE TO THE POLES, NETS AND/OR ATTACHMENT HARDWARE. STORING NETS IN A DRY, PEST FREE LOCATION WILL HELP EXTEND THE LIFE OF THE NETS. SPORTSFIELD SPECIALTIES, INC. WILL NOT BE HELD LIABLE OR ASSUME RESPONSIBILITY FOR ANY DAMAGE TO THE NETS, POLES AND/OR CORRESPONDING ATTACHMENT HARDWARE IF THE NETS ARE NOT REMOVED/LOWERING PRIOR TO THE ABOVE DESCRIBED WIND AND/OR WEATHER EVENTS.

PROPRIETARY AND CONFIDENTIAL

THE INFORMATION CONTAINED IN THIS DRAWING IS THE SOLE PROPERTY OF SPORTSFIELD SPECIALTIES INC. ANY REPRODUCTION IN PART OR AS A WHOLE WITHOUT THE WRITTEN PERMISSION OF SPORTSFIELD SPECIALTIES INC. IS PROHIBITED.

**DCHSEA (TFDCHS-EXT) HIGH SCHOOL DISCUS CAGE WITH HINGED
NET STABILIZER EXTENSION ARMS WITH OPTIONAL BACKUP NET SYSTEM**

NOT TO SCALE

SPORTSFIELD SPECIALTIES INC 09172018

MEETS AND/OR EXCEEDS CURRENT NFHS SPECIFICATIONS, RULES AND REQUIREMENTS

MAIN NET:
20'H X 54'L, #36 BLACK NYLON,
1-3/4" SQUARE MESH NET
WITH SEWN ROPE BINDING ON
PERIMETER EDGES

STANDARD BLACK POWDER COATED FINISH

(6) 21'H UPRIGHT POLES
WITH 3' ARC OFFSET

FINISH GRADE

OPTIONAL:
DCHSBNS BACKUP NET SYSTEM,
7'H X 63'L, #36 BLACK NYLON,
1-3/4" SQUARE MESH NET WITH
SEWN ROPE BINDING ON PERIMETER
EDGES

NET STABILIZING EXTENSION
ARMS HINGE UPWARDS FOR
GROUNDS MAINTENANCE

MAIN NET ATTACHES TO SPRING
HOOK ON (6) HINGED NET
STABILIZER EXTENSION ARMS

SPORTSFIELD SPECIALTIES, INC. STRONGLY RECOMMENDS THE REMOVAL OF ALL NETS PRIOR TO EXPOSURE TO WINTER WEATHER, INCLUDING SNOW AND/OR ICE STORMS. WHENEVER POSSIBLE, THE NETS SHOULD ALSO BE LOWERED PRIOR TO ANY EXTREME WIND EVENTS. REMOVAL/LOWERING OF THE NETS WILL MITIGATE ANY UNFORESEEN DAMAGE TO THE POLES, NETS AND/OR ATTACHMENT HARDWARE. STORING NETS IN A DRY, PEST FREE LOCATION WILL HELP EXTEND THE LIFE OF THE NETS. SPORTSFIELD SPECIALTIES, INC. WILL NOT BE HELD LIABLE OR ASSUME RESPONSIBILITY FOR ANY DAMAGE TO THE NETS, POLES AND/OR CORRESPONDING ATTACHMENT HARDWARE IF THE NETS ARE NOT REMOVED/LOWERING PRIOR TO THE ABOVE DESCRIBED WIND AND/OR WEATHER EVENTS.

(6) 30" GROUND SLEEVES
BELOW FINISH GRADE

[6.45M]
21'-2 1/16"
O.A. HEIGHT

3'-0"
ARC OFFSET

FINISH GRADE

36"
EXTENSION ARMS

30"
GROUND SLEEVES

PROPRIETARY AND CONFIDENTIAL

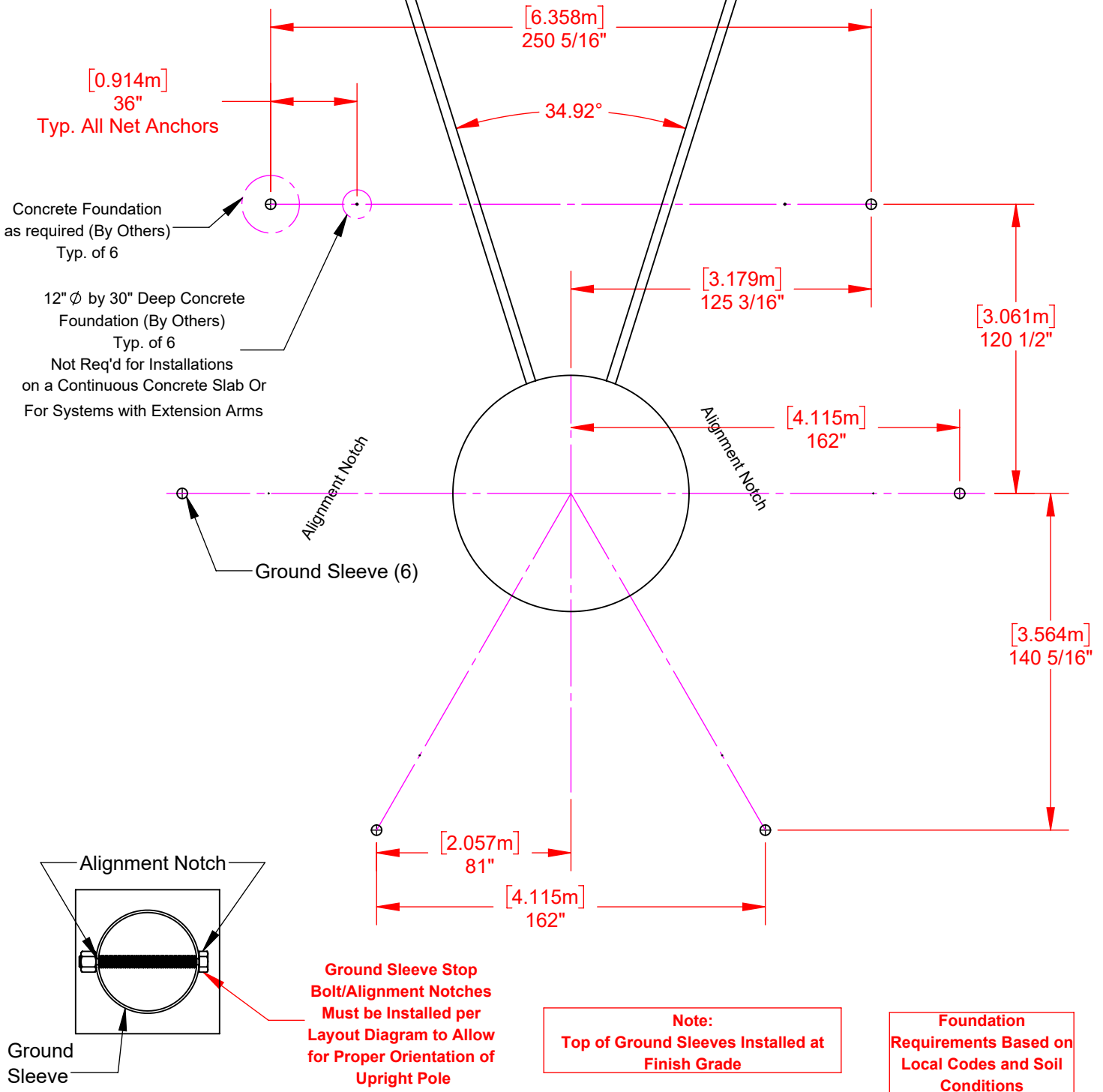
THE INFORMATION CONTAINED IN THIS DRAWING IS THE SOLE PROPERTY OF SPORTSFIELD SPECIALTIES INC. ANY REPRODUCTION IN PART OR AS A WHOLE WITHOUT THE WRITTEN PERMISSION OF SPORTSFIELD SPECIALTIES INC. IS PROHIBITED.

DCHSTEA (TFDCHS-TALL-EXT) HIGH SCHOOL TALL DISCUS CAGE WITH HINGED NET STABILIZER EXTENSION ARMS WITH OPTIONAL BACKUP NET SYSTEM

NOT TO SCALE

SPORTSFIELD SPECIALTIES INC III92019

Meets and/or Exceeds Current NFHS Specifications, Rules and Requirements



PROPRIETARY AND CONFIDENTIAL

THE INFORMATION CONTAINED IN THIS DRAWING IS THE SOLE PROPERTY OF SPORTSFIELD SPECIALTIES INC. ANY REPRODUCTION IN PART OR AS A WHOLE WITHOUT THE WRITTEN PERMISSION OF SPORTSFIELD SPECIALTIES INC. IS PROHIBITED.

High School Discus Cage Ground Sleeve Layout Plan

Not To Scale

Sportsfield Specialties Inc 105804.1-221221

Standard Black Powder Coated Finish

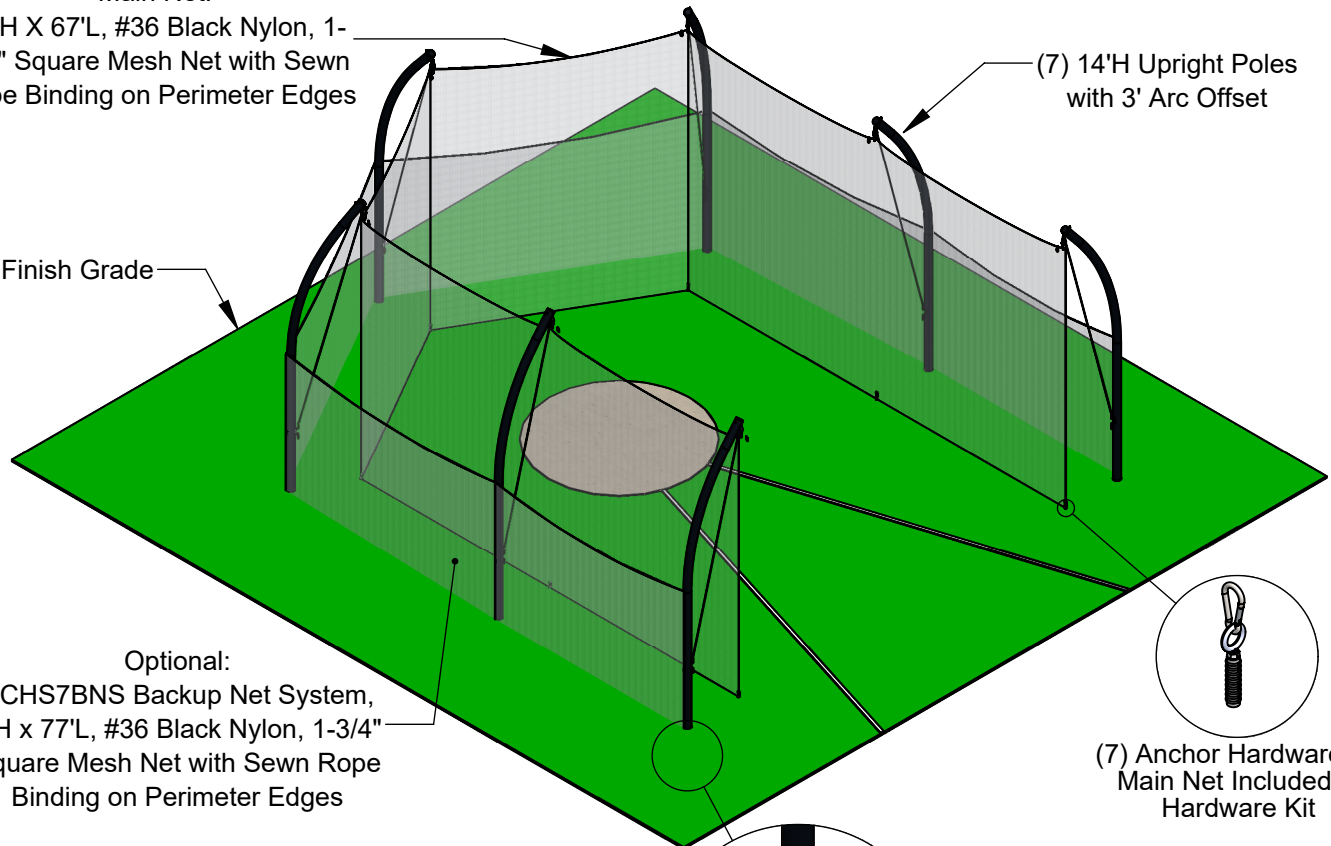
Meets and/or Exceeds Current NFHS Specifications, Rules and Requirements

Main Net:

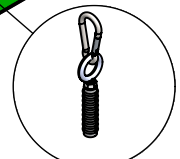
13'H X 67'L, #36 Black Nylon, 1-3/4" Square Mesh Net with Sewn Rope Binding on Perimeter Edges

(7) 14'H Upright Poles with 3' Arc Offset

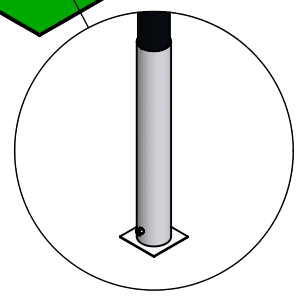
Finish Grade



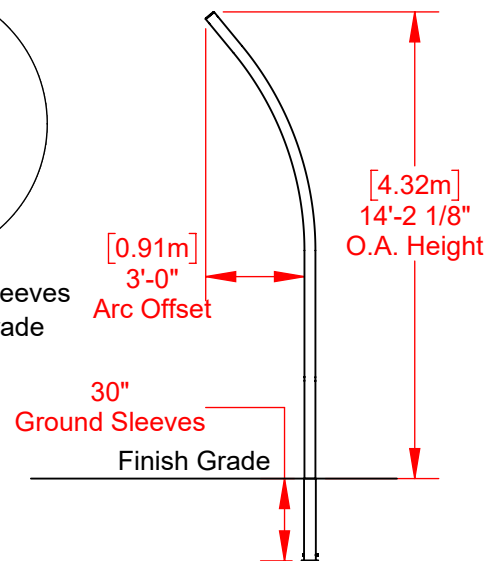
Optional:
DCHS7BNS Backup Net System, 7'H x 77'L, #36 Black Nylon, 1-3/4" Square Mesh Net with Sewn Rope Binding on Perimeter Edges



(7) Anchor Hardware for Main Net Included in Hardware Kit



(7) 30" Ground Sleeves Below Finish Grade



Sportsfield Specialties, Inc. strongly recommends the removal of all nets prior to exposure to winter weather, including snow and/or ice storms. Whenever possible, the nets should also be lowered prior to any extreme wind events. Removal/Lowering of the nets will mitigate any unforeseen damage to the poles, nets and/or attachment hardware. Storing nets in a dry, pest free location will help extend the life of the nets. Sportsfield Specialties, Inc. will not be held liable or assume responsibility for any damage to the nets, poles and/or corresponding attachment hardware if the nets are not removed/lowered prior to the above described wind and/or weather events.

PROPRIETARY AND CONFIDENTIAL

THE INFORMATION CONTAINED IN THIS DRAWING IS THE SOLE PROPERTY OF SPORTSFIELD SPECIALTIES INC. ANY REPRODUCTION IN PART OR AS A WHOLE WITHOUT THE WRITTEN PERMISSION OF SPORTSFIELD SPECIALTIES INC. IS PROHIBITED.

DCHS7 - High School Seven Pole Discus Cage with Optional Backup Net System

Not To Scale

Sportsfield Specialties Inc 105805.1-221221

Standard Black Powder Coated Finish

Meets and/or Exceeds Current NFHS Specifications, Rules and Requirements

Main Net:

13'H X 67'L, #36 Black Nylon,
 1-3/4" Square Mesh Net with Sewn
 Rope Binding on Perimeter Edges

(7) 14'H Upright Poles
 with 3' Arc Offset

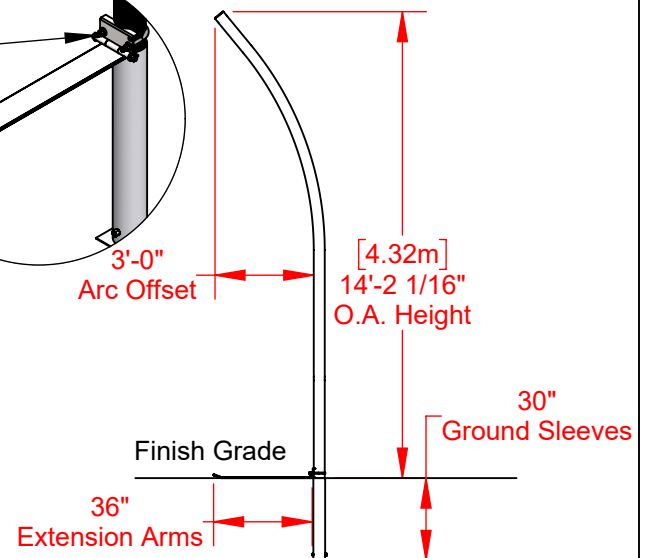
Finish Grade

Optional:
 DCHS7BNS Backup Net System,
 7'H x 77'L, #36 Black Nylon,
 1-3/4" Square Mesh Net with Sewn
 Rope Binding on Perimeter Edges

Net Stabilizing Extension
 Arms Hinge Upwards For
 Grounds Maintenance

Main Net Attaches
 to Spring Hook on (7)
 Hinged Net Stabilizer
 Extension Arms

(7) 30" Ground Sleeves
 Below Finish Grade



Sportsfield Specialties, Inc. strongly recommends the removal of all nets prior to exposure to winter weather, including snow and/or ice storms. Whenever possible, the nets should also be lowered prior to any extreme wind events. Removal/Lowering of the nets will mitigate any unforeseen damage to the poles, nets and/or attachment hardware. Storing nets in a dry, pest free location will help extend the life of the nets. Sportsfield Specialties, Inc. will not be held liable or assume responsibility for any damage to the nets, poles and/or corresponding attachment hardware if the nets are not removed/lowered prior to the above described wind and/or weather events.

PROPRIETARY AND CONFIDENTIAL

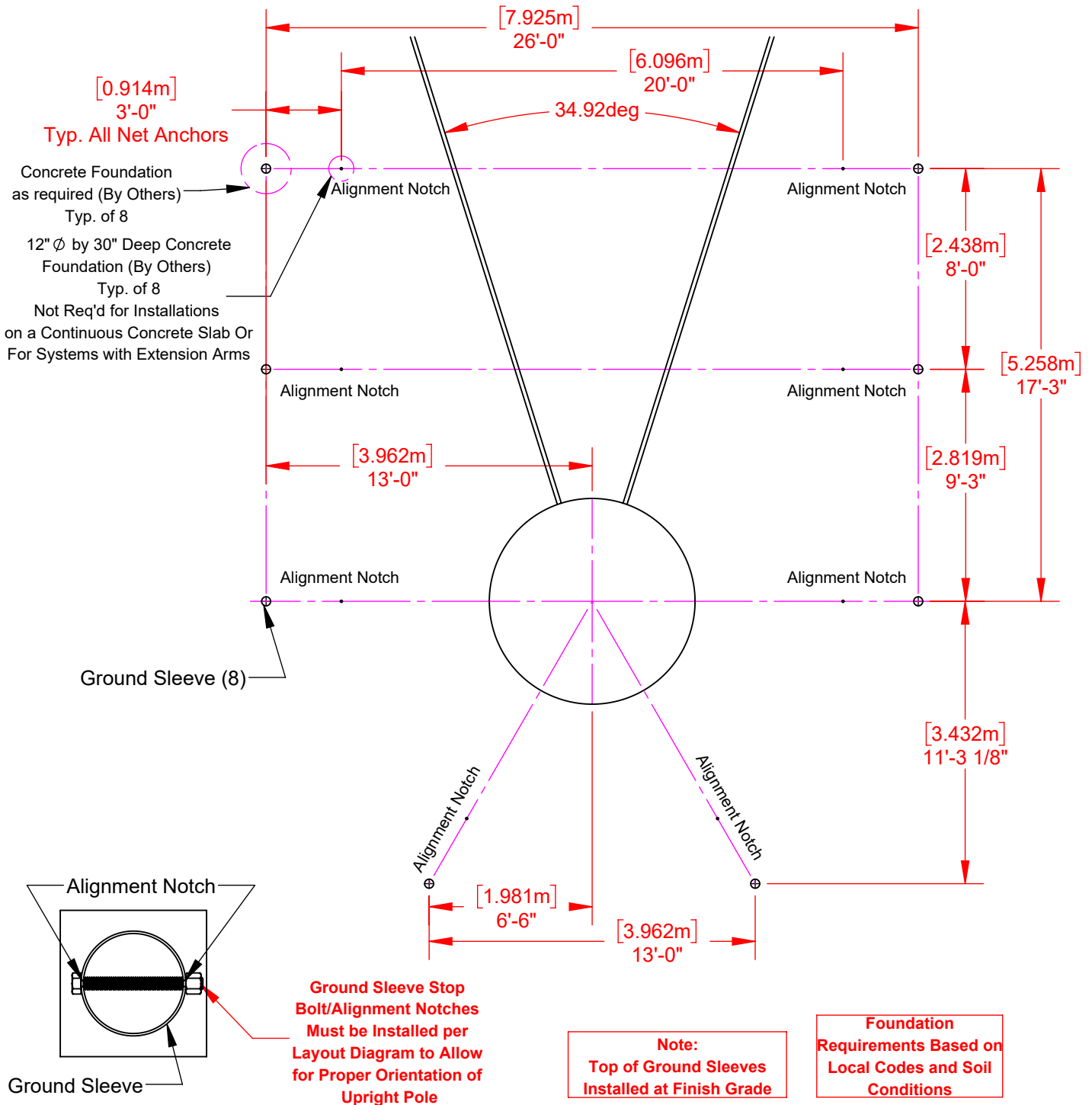
THE INFORMATION CONTAINED IN THIS DRAWING IS THE SOLE PROPERTY OF SPORTSFIELD SPECIALTIES INC. ANY REPRODUCTION IN PART OR AS A WHOLE WITHOUT THE WRITTEN PERMISSION OF SPORTSFIELD SPECIALTIES INC. IS PROHIBITED.

DCHS7EA - High School Seven Pole Discus Cage with Hinged Net Stabilizer Extension Arms with Optional Backup Net System

Not To Scale

Sportsfield Specialties Inc 105806.1-221221

Meets and/or Exceeds Current NFHS Specifications, Rules and Requirements



PROPRIETARY AND CONFIDENTIAL
 THE INFORMATION CONTAINED IN THIS DRAWING IS THE SOLE PROPERTY OF SPORTSFIELD SPECIALTIES INC. ANY REPRODUCTION IN PART OR AS A WHOLE WITHOUT THE WRITTEN PERMISSION OF SPORTSFIELD SPECIALTIES INC. IS PROHIBITED.

DCHS8 - High School Eight Pole Discus Cage Ground Sleeve Layout

Not To Scale

Sportsfield Specialties Inc 105810.1-221221

Meets and/or Exceeds Current NFHS Specifications, Rules and Requirements

Standard Black Powder Coated Finish

Main Net:
 13'H X 66'L, #36 Black Nylon, 1-3/4" Square Mesh Net with Sewn Rope Binding on Perimeter Edges

(8) 14'H Upright Poles with 3' Arc Offset

Finish Grade

Optional:
 DCHS8BNS Backup Net System, 7'H x 75'L, #36 Black Nylon, 1-3/4" Square Mesh Net with Sewn Rope Binding on Perimeter Edges

Net Stabilizing Extension Arms Hinge Upwards For Grounds Maintenance

Main Net Attaches to Spring Hook on (8) Hinged Net Stabilizer Extension Arms

(8) 30" Ground Sleeves Below Finish Grade

3'-0" Arc Offset

[4.32m]
 14'-2" O.A. Height

Finish Grade

30" Ground Sleeves

36" Extension Arms

Sportsfield Specialties, Inc. strongly recommends the removal of all nets prior to exposure to winter weather, including snow and/or ice storms. Whenever possible, the nets should also be lowered prior to any extreme wind events. Removal/Lowering of the nets will mitigate any unforeseen damage to the poles, nets and/or attachment hardware. Storing nets in a dry, pest free location will help extend the life of the nets. Sportsfield Specialties, Inc. will not be held liable or assume responsibility for any damage to the nets, poles and/or corresponding attachment hardware if the nets are not removed/lowered prior to the above described wind and/or weather events.

PROPRIETARY AND CONFIDENTIAL

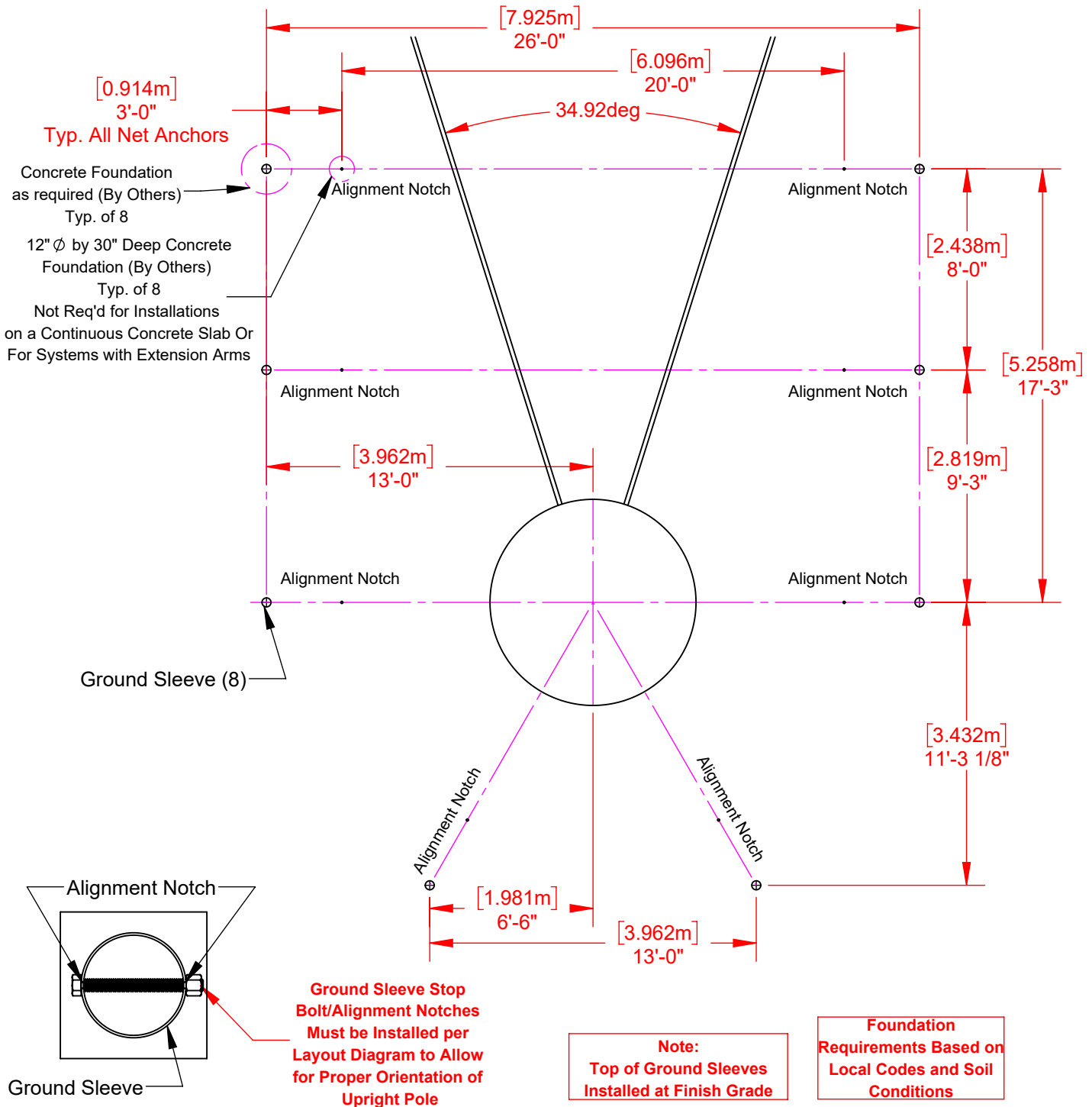
THE INFORMATION CONTAINED IN THIS DRAWING IS THE SOLE PROPERTY OF SPORTSFIELD SPECIALTIES INC. ANY REPRODUCTION IN PART OR AS A WHOLE WITHOUT THE WRITTEN PERMISSION OF SPORTSFIELD SPECIALTIES INC. IS PROHIBITED.

DCHS8EA - High School Eight Pole Discus Cage with Hinged Net Stabilizer Extension Arms with Optional Backup Net System

Not To Scale

Sportsfield Specialties Inc 105809.1-221221

Meets and/or Exceeds Current NFHS Specifications, Rules and Requirements



PROPRIETARY AND CONFIDENTIAL

THE INFORMATION CONTAINED IN THIS DRAWING IS THE SOLE PROPERTY OF SPORTSFIELD SPECIALTIES INC. ANY REPRODUCTION IN PART OR AS A WHOLE WITHOUT THE WRITTEN PERMISSION OF SPORTSFIELD SPECIALTIES INC. IS PROHIBITED.

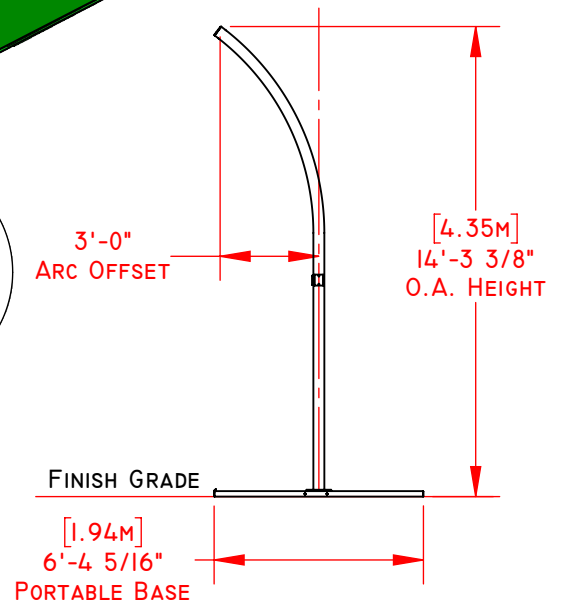
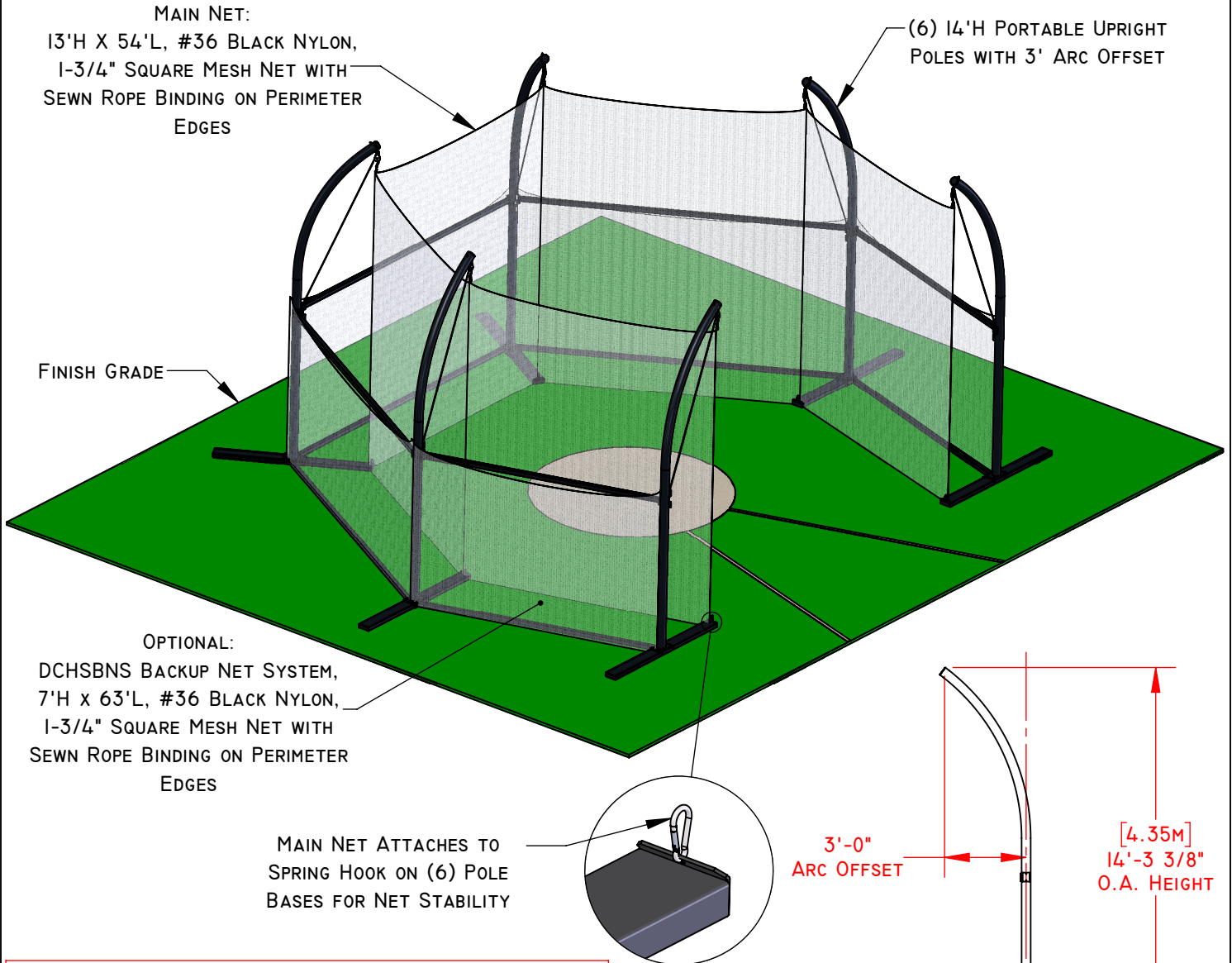
DCHS8 - High School Eight Pole Discus Cage Ground Sleeve Layout

Not To Scale

Sportsfield Specialties Inc 105810.1-221221

MEETS AND/OR EXCEEDS CURRENT NFHS
SPECIFICATIONS, RULES AND REQUIREMENTS

STANDARD BLACK POWDER COATED FINISH



SPORTSFIELD SPECIALTIES, INC. STRONGLY RECOMMENDS THE REMOVAL OF ALL NETS PRIOR TO EXPOSURE TO WINTER WEATHER, INCLUDING SNOW AND/OR ICE STORMS. WHENEVER POSSIBLE, THE NETS SHOULD ALSO BE LOWERED PRIOR TO ANY EXTREME WIND EVENTS. REMOVAL/LOWERING OF THE NETS WILL MITIGATE ANY UNFORESEEN DAMAGE TO THE POLES, NETS AND/OR ATTACHMENT HARDWARE. STORING NETS IN A DRY, PEST FREE LOCATION WILL HELP EXTEND THE LIFE OF THE NETS. SPORTSFIELD SPECIALTIES, INC. WILL NOT BE HELD LIABLE OR ASSUME RESPONSIBILITY FOR ANY DAMAGE TO THE NETS, POLES AND/OR CORRESPONDING ATTACHMENT HARDWARE IF THE NETS ARE NOT REMOVED/LOWERING PRIOR TO THE ABOVE DESCRIBED WIND AND/OR WEATHER EVENTS.

PROPRIETARY AND CONFIDENTIAL
THE INFORMATION CONTAINED IN THIS DRAWING IS THE SOLE PROPERTY OF SPORTSFIELD SPECIALTIES INC. ANY REPRODUCTION IN PART OR AS A WHOLE WITHOUT THE WRITTEN PERMISSION OF SPORTSFIELD SPECIALTIES INC. IS PROHIBITED.

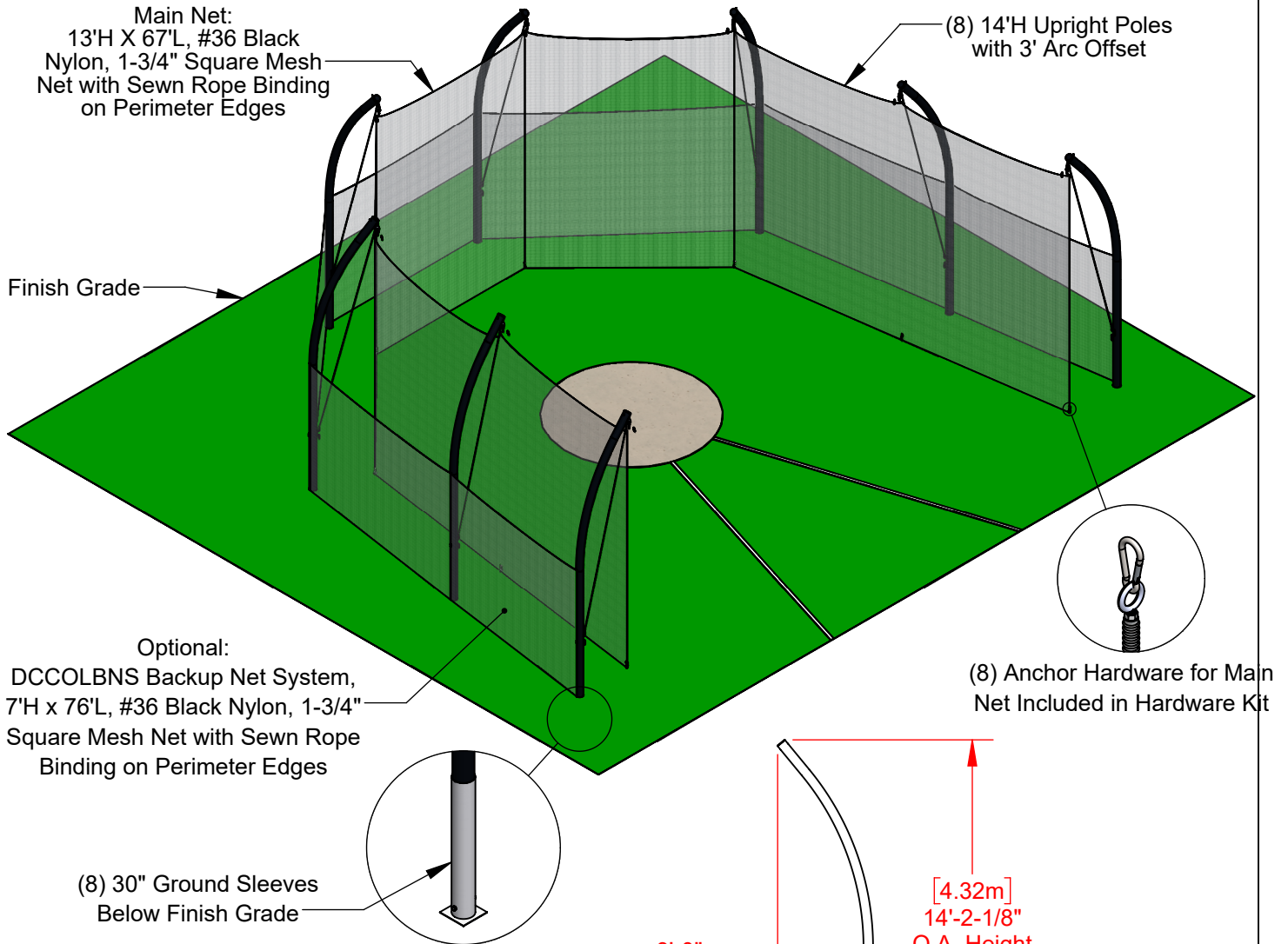
**DCHSPT (TFDCHSPORT) PORTABLE HIGH SCHOOL DISCUS
CAGE WITH OPTIONAL BACKUP NET SYSTEM**

NOT TO SCALE

SPORTSFIELD SPECIALTIES INC 12192018

Meets and/or Exceeds Current NCAA Specifications, Rules and Requirements

Standard Black Powder Coated Finish



Sportsfield Specialties, Inc. strongly recommends the removal of all nets prior to exposure to winter weather, including snow and/or ice storms. Whenever possible, the nets should also be lowered prior to any extreme wind events. Removal/Lowering of the nets will mitigate any unforeseen damage to the poles, nets and/or attachment hardware. Storing nets in a dry, pest free location will help extend the life of the nets. Sportsfield Specialties, Inc. will not be held liable or assume responsibility for any damage to the nets, poles and/or corresponding attachment hardware if the nets are not removed/lowered prior to the above described wind and/or weather events.

PROPRIETARY AND CONFIDENTIAL
 THE INFORMATION CONTAINED IN THIS DRAWING IS THE SOLE PROPERTY OF SPORTSFIELD SPECIALTIES INC. ANY REPRODUCTION IN PART OR AS A WHOLE WITHOUT THE WRITTEN PERMISSION OF SPORTSFIELD SPECIALTIES INC. IS PROHIBITED.

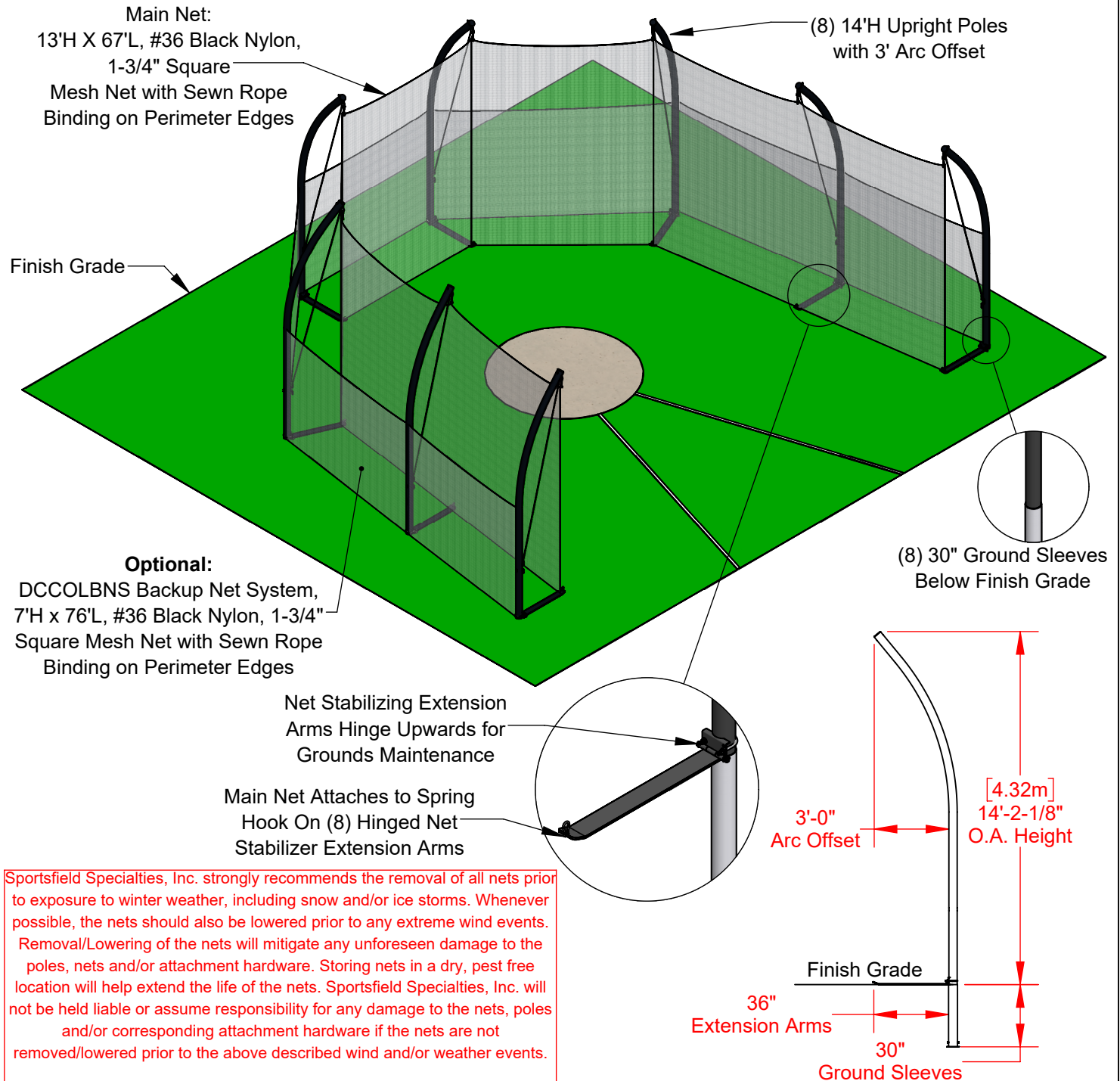
DCCOL - College Discus Cage with Optional Backup Net System

Not To Scale

Sportsfield Specialties Inc 105812.1-221221

Meets and/or Exceeds Current NCAA Specifications, Rules and Requirements

Standard Black Powder Coated Finish



Sportsfield Specialties, Inc. strongly recommends the removal of all nets prior to exposure to winter weather, including snow and/or ice storms. Whenever possible, the nets should also be lowered prior to any extreme wind events. Removal/Lowering of the nets will mitigate any unforeseen damage to the poles, nets and/or attachment hardware. Storing nets in a dry, pest free location will help extend the life of the nets. Sportsfield Specialties, Inc. will not be held liable or assume responsibility for any damage to the nets, poles and/or corresponding attachment hardware if the nets are not removed/lowered prior to the above described wind and/or weather events.

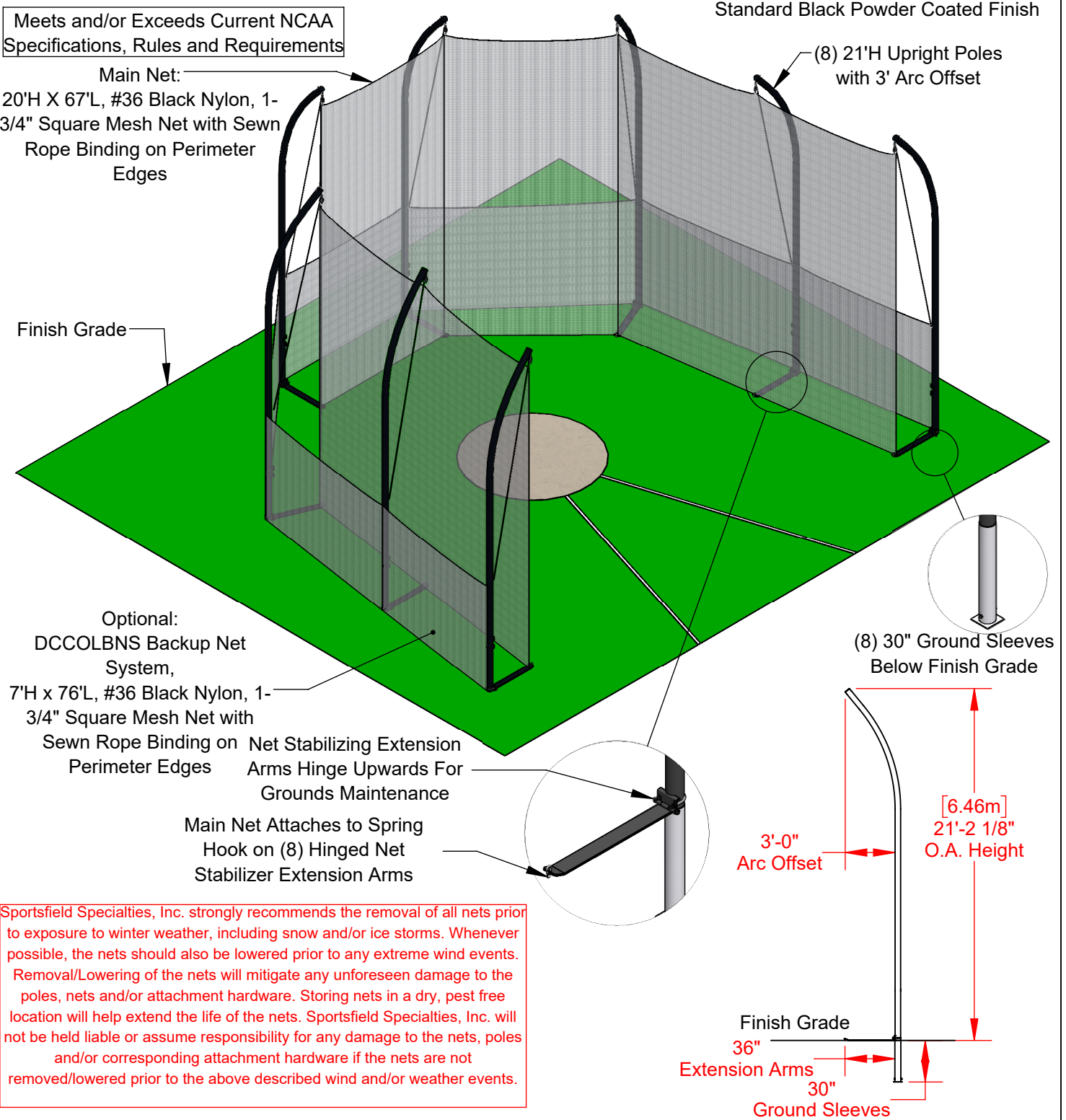
PROPRIETARY AND CONFIDENTIAL

THE INFORMATION CONTAINED IN THIS DRAWING IS THE SOLE PROPERTY OF SPORTSFIELD SPECIALTIES INC. ANY REPRODUCTION IN PART OR AS A WHOLE WITHOUT THE WRITTEN PERMISSION OF SPORTSFIELD SPECIALTIES INC. IS PROHIBITED.

DCCOLEA - College Discus Cage with Hinged Net Stabilizer Extension Arms with Optional Backup Net System

Not To Scale

Sportsfield Specialties Inc 105813.1-221221



PROPRIETARY AND CONFIDENTIAL

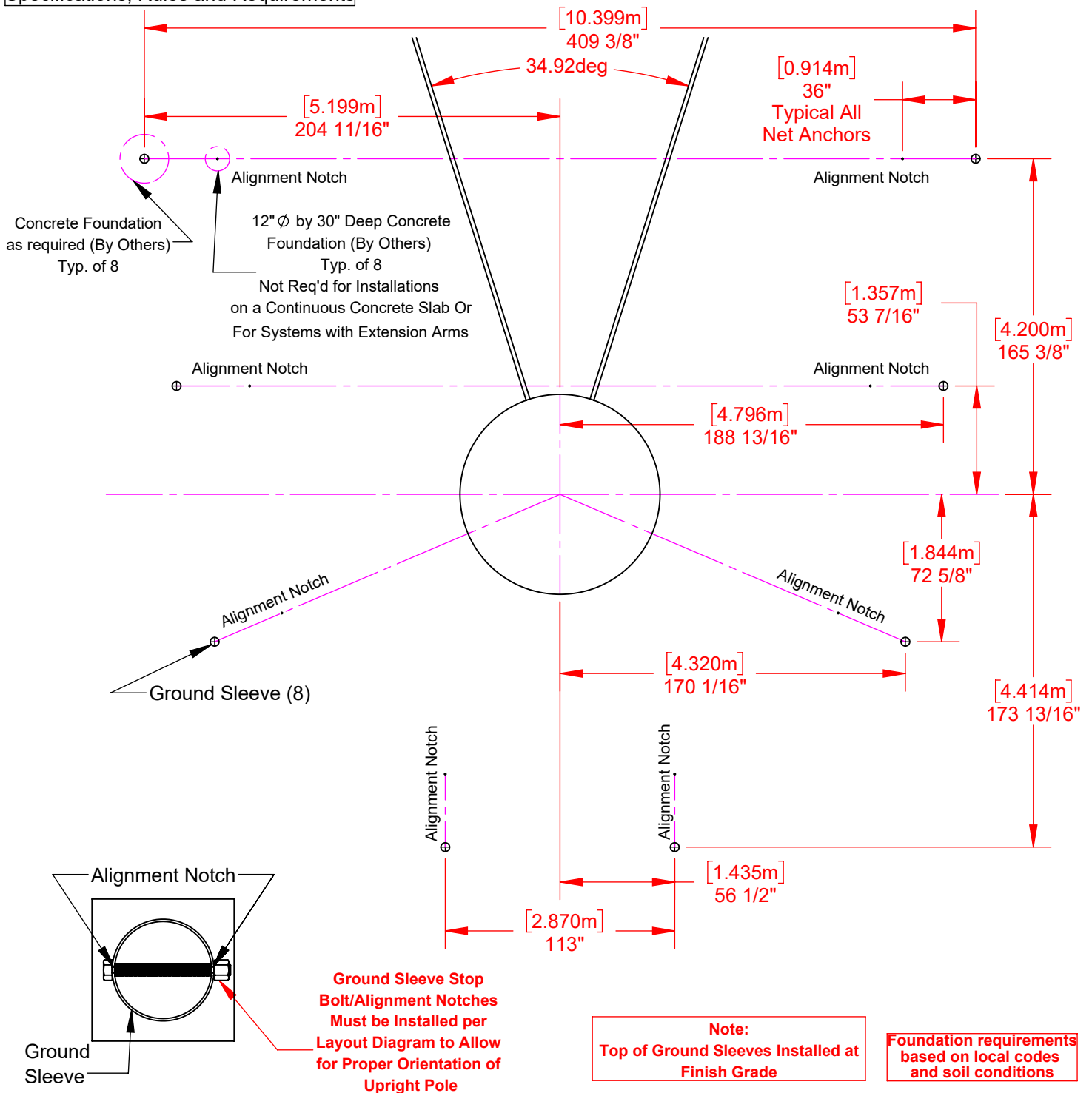
THE INFORMATION CONTAINED IN THIS DRAWING IS THE SOLE PROPERTY OF SPORTSFIELD SPECIALTIES INC. ANY REPRODUCTION IN PART OR AS A WHOLE WITHOUT THE WRITTEN PERMISSION OF SPORTSFIELD SPECIALTIES INC. IS PROHIBITED.

DCCOLTEA - College Tall Discus Cage with Hinged Net Stabilizer Extension Arms with Optional Backup Net System

Not To Scale

Sportsfield Specialties Inc 105814.1-221221

Meets and/or Exceeds Current NCAA Specifications, Rules and Requirements



PROPRIETARY AND CONFIDENTIAL

THE INFORMATION CONTAINED IN THIS DRAWING IS THE SOLE PROPERTY OF SPORTSFIELD SPECIALTIES INC. ANY REPRODUCTION IN PART OR AS A WHOLE WITHOUT THE WRITTEN PERMISSION OF SPORTSFIELD SPECIALTIES INC. IS PROHIBITED.

College Discus Cage Ground Sleeve Layout Plan

Not To Scale

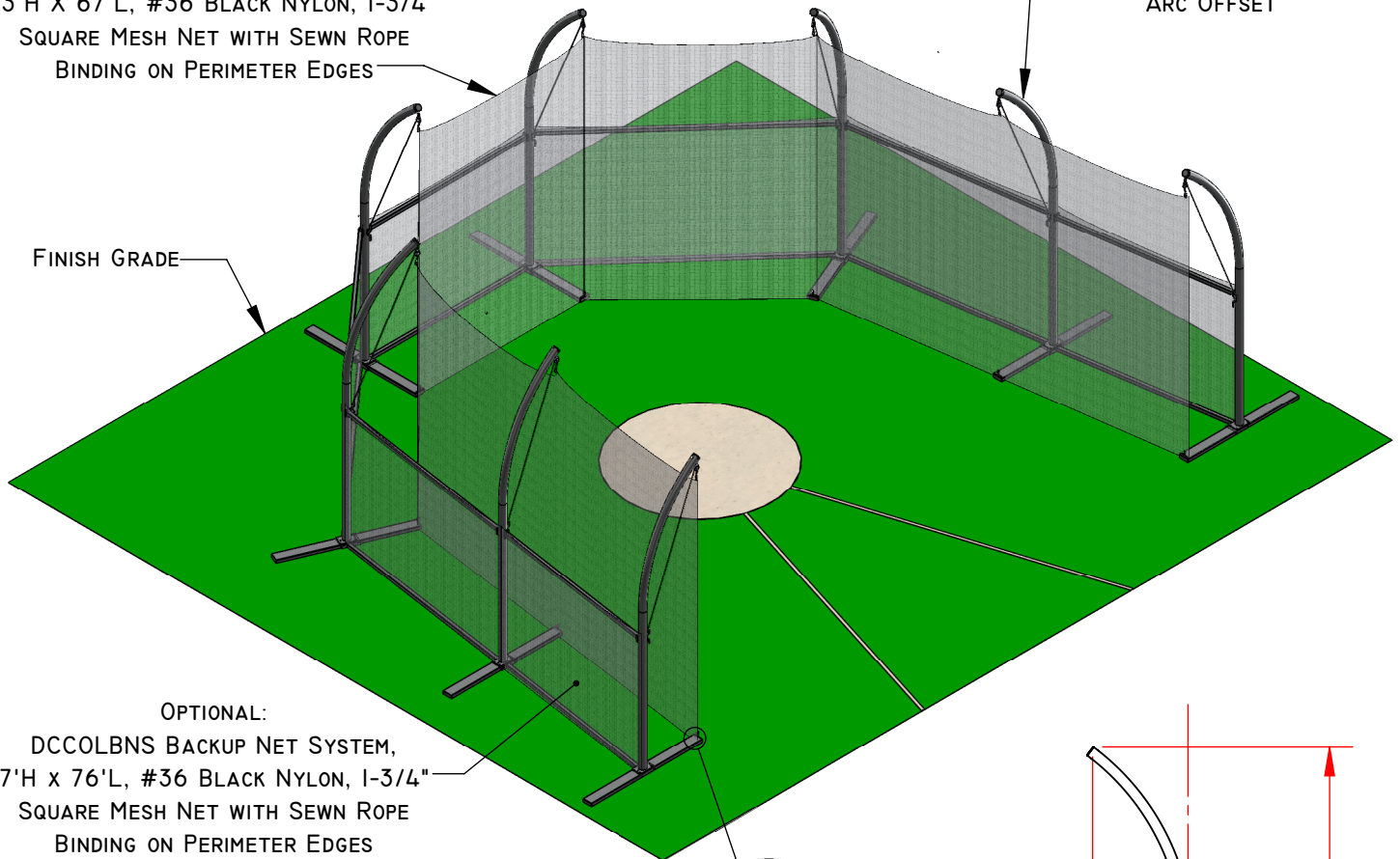
Sportsfield Specialties Inc 105815.1-221221

MEETS AND/OR EXCEEDS CURRENT NCAA SPECIFICATIONS, RULES AND REQUIREMENTS

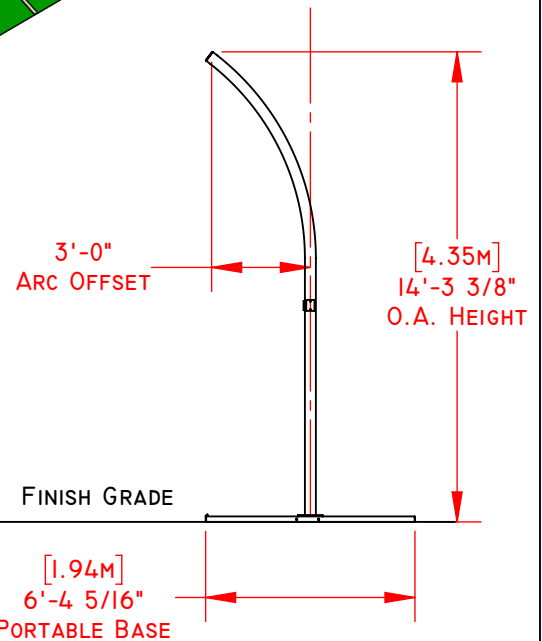
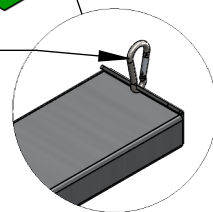
STANDARD BLACK POWDER COATED FINISH

MAIN NET:
 13'H X 67'L, #36 BLACK NYLON, 1-3/4" SQUARE MESH NET WITH SEWN ROPE BINDING ON PERIMETER EDGES

(8) 14'H PORTABLE UPRIGHT POLES WITH 3' ARC OFFSET



MAIN NET ATTACHES TO SPRING HOOK ON (8) POLE BASES FOR NET STABILITY



SPORTSFIELD SPECIALTIES, INC. STRONGLY RECOMMENDS THE REMOVAL OF ALL NETS PRIOR TO EXPOSURE TO WINTER WEATHER, INCLUDING SNOW AND/OR ICE STORMS. WHENEVER POSSIBLE, THE NETS SHOULD ALSO BE LOWERED PRIOR TO ANY EXTREME WIND EVENTS. REMOVAL/LOWERING OF THE NETS WILL MITIGATE ANY UNFORESEEN DAMAGE TO THE POLES, NETS AND/OR ATTACHMENT HARDWARE. STORING NETS IN A DRY, PEST FREE LOCATION WILL HELP EXTEND THE LIFE OF THE NETS. SPORTSFIELD SPECIALTIES, INC. WILL NOT BE HELD LIABLE OR ASSUME RESPONSIBILITY FOR ANY DAMAGE TO THE NETS, POLES AND/OR CORRESPONDING ATTACHMENT HARDWARE IF THE NETS ARE NOT REMOVED/LOWERED PRIOR TO THE ABOVE DESCRIBED WIND AND/OR WEATHER EVENTS.

PROPRIETARY AND CONFIDENTIAL
 THE INFORMATION CONTAINED IN THIS DRAWING IS THE SOLE PROPERTY OF SPORTSFIELD SPECIALTIES INC. ANY REPRODUCTION IN PART OR AS A WHOLE WITHOUT THE WRITTEN PERMISSION OF SPORTSFIELD SPECIALTIES INC. IS PROHIBITED.

DCCOLPT (TFDCCOLLPORT) PORTABLE COLLEGE DISCUS CAGE WITH OPTIONAL BACKUP NET SYSTEM

NOT TO SCALE

SPORTSFIELD SPECIALTIES INC 12I92018

MEETS AND/OR EXCEEDS CURRENT WORLD ATHLETICS (IAAF) SPECIFICATIONS, RULES AND REQUIREMENTS

STANDARD BLACK POWDER COATED FINISH

MAIN NET:
20'H X 82'-6"L, #36 BLACK NYLON, 1-3/4" SQUARE MESH NET WITH SEWN ROPE BINDING ON PERIMETER EDGES

OPTIONAL:
DCIAAFBNS BACKUP NET SYSTEM, 7'H X 92'L, #36 BLACK NYLON, 1-3/4" SQUARE MESH NET WITH SEWN ROPE BINDING ON PERIMETER EDGES

(9) 21'H UPRIGHT POLES WITH 3' ARC OFFSET

FINISH GRADE

(9) 30" GROUND SLEEVES BELOW FINISH GRADE

NET STABILIZING EXTENSION ARMS HINGE UPWARDS FOR GROUNDS MAINTENANCE

MAIN NET ATTACHES TO SPRING HOOK ON (9) HINGED NET STABILIZER EXTENSION ARMS

3'-0" ARC OFFSET

[6.45M]
21'-2-1/16" O.A HEIGHT

FINISH GRADE

36" EXTENSION ARMS

30" GROUND SLEEVES

SPORTSFIELD SPECIALTIES, INC. STRONGLY RECOMMENDS THE REMOVAL OF ALL NETS PRIOR TO EXPOSURE TO WINTER WEATHER, INCLUDING SNOW AND/OR ICE STORMS. WHENEVER POSSIBLE, THE NETS SHOULD ALSO BE LOWERED PRIOR TO ANY EXTREME WIND EVENTS. REMOVAL/LOWERING OF THE NETS WILL MITIGATE ANY UNFORESEEN DAMAGE TO THE POLES, NETS AND/OR ATTACHMENT HARDWARE. STORING NETS IN A DRY, PEST FREE LOCATION WILL HELP EXTEND THE LIFE OF THE NETS. SPORTSFIELD SPECIALTIES, INC. WILL NOT BE HELD LIABLE OR ASSUME RESPONSIBILITY FOR ANY DAMAGE TO THE NETS, POLES AND/OR CORRESPONDING ATTACHMENT HARDWARE IF THE NETS ARE NOT REMOVED/LOWERED PRIOR TO THE ABOVE DESCRIBED WIND AND/OR WEATHER EVENTS.

PROPRIETARY AND CONFIDENTIAL

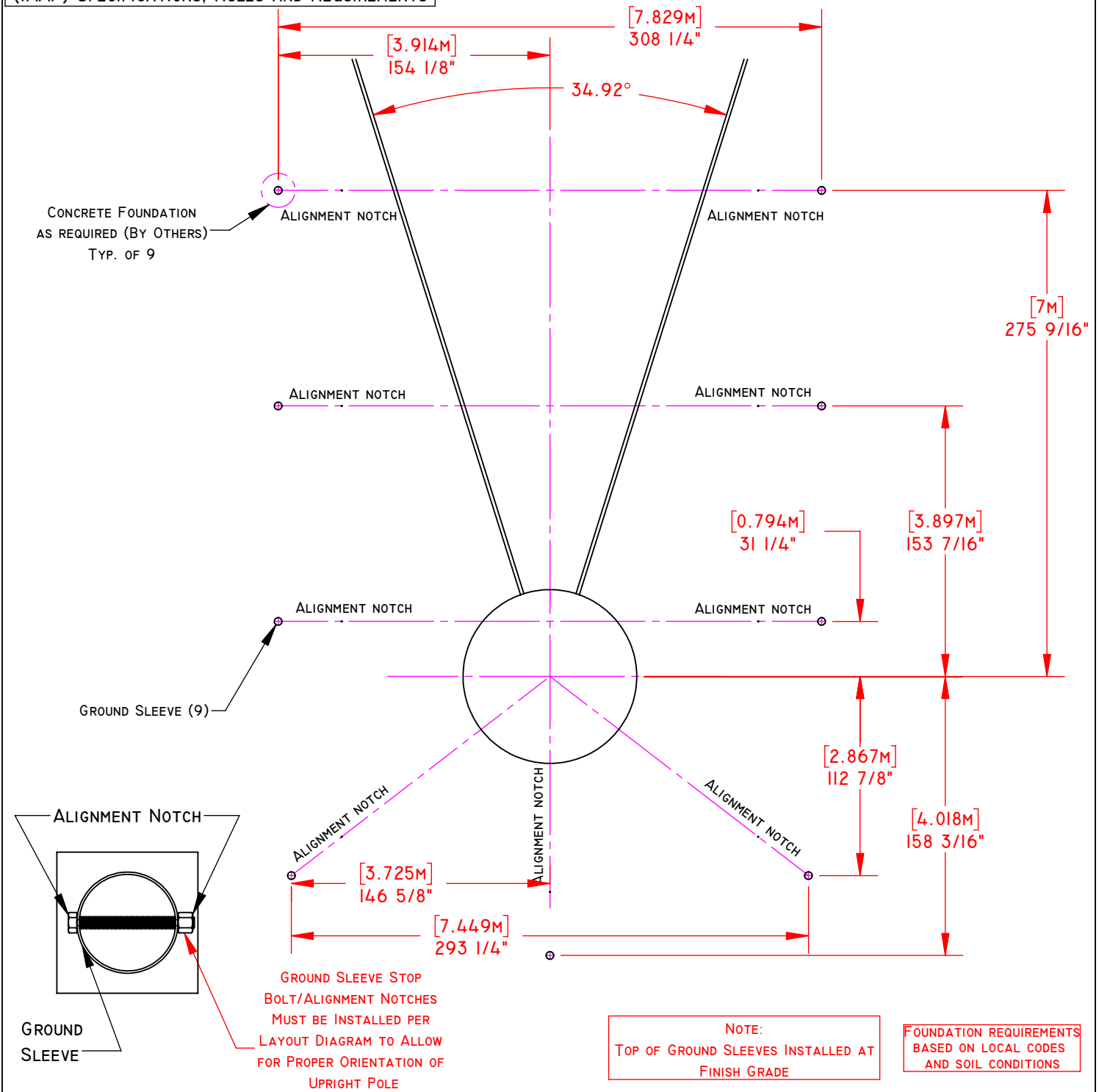
THE INFORMATION CONTAINED IN THIS DRAWING IS THE SOLE PROPERTY OF SPORTSFIELD SPECIALTIES INC. ANY REPRODUCTION IN PART OR AS A WHOLE WITHOUT THE WRITTEN PERMISSION OF SPORTSFIELD SPECIALTIES INC. IS PROHIBITED.

DCIAAFE World Athletics (IAAF) DISCUS CAGE WITH HINGED NET STABILIZER EXTENSION ARMS WITH OPTIONAL BACKUP NET SYSTEM

NOT TO SCALE

SPORTSFIELD SPECIALTIES INC 03042020

MEETS AND/OR EXCEEDS CURRENT WORLD ATHLETICS (IAAF) SPECIFICATIONS, RULES AND REQUIREMENTS



PROPRIETARY AND CONFIDENTIAL
THE INFORMATION CONTAINED IN THIS DRAWING IS THE SOLE PROPERTY OF SPORTSFIELD SPECIALTIES INC. ANY REPRODUCTION IN PART OR AS A WHOLE WITHOUT THE WRITTEN PERMISSION OF SPORTSFIELD SPECIALTIES INC. IS PROHIBITED.

WORLD ATHLETICS (IAAF) DISCUS CAGE GROUND SLEEVE LAYOUT PLAN

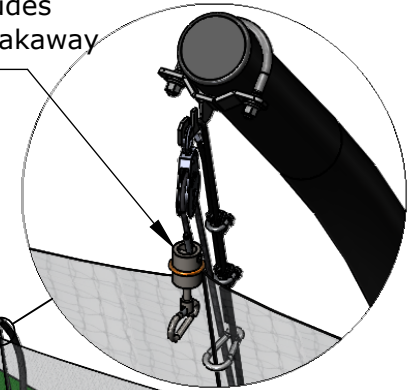
NOT TO SCALE

SPORTSFIELD SPECIALTIES INC 03042020

Standard Black Powder Coated Finish

Extension Net(s):
 #36 Black Nylon, 1-3/4" Square Mesh Net
 with Sewn Rope Binding on Perimeter Edges

Net Extension Pole
 Hardware Includes
 StormGuard® Breakaway
 System

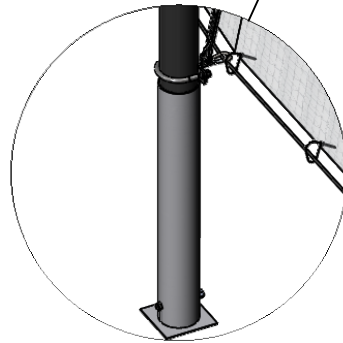


Finish Grade

Discus Cage

Net Extension Upright Poles
 with 3' Arc Offset,
 20' Max Spacing

Quantity Varies by Project Requirements



30" Ground Sleeves
 Below Finish Grade

36"
 Arc Offset

Pole Height
 (See Table)

30"
 Ground Sleeves

Finish
 Grade

Part Number	Discus Cage Style	Pole Height	Net Height
DCNE13	Standard	14'	13'
DCNE20	Tall	21'	20'

PROPRIETARY AND CONFIDENTIAL

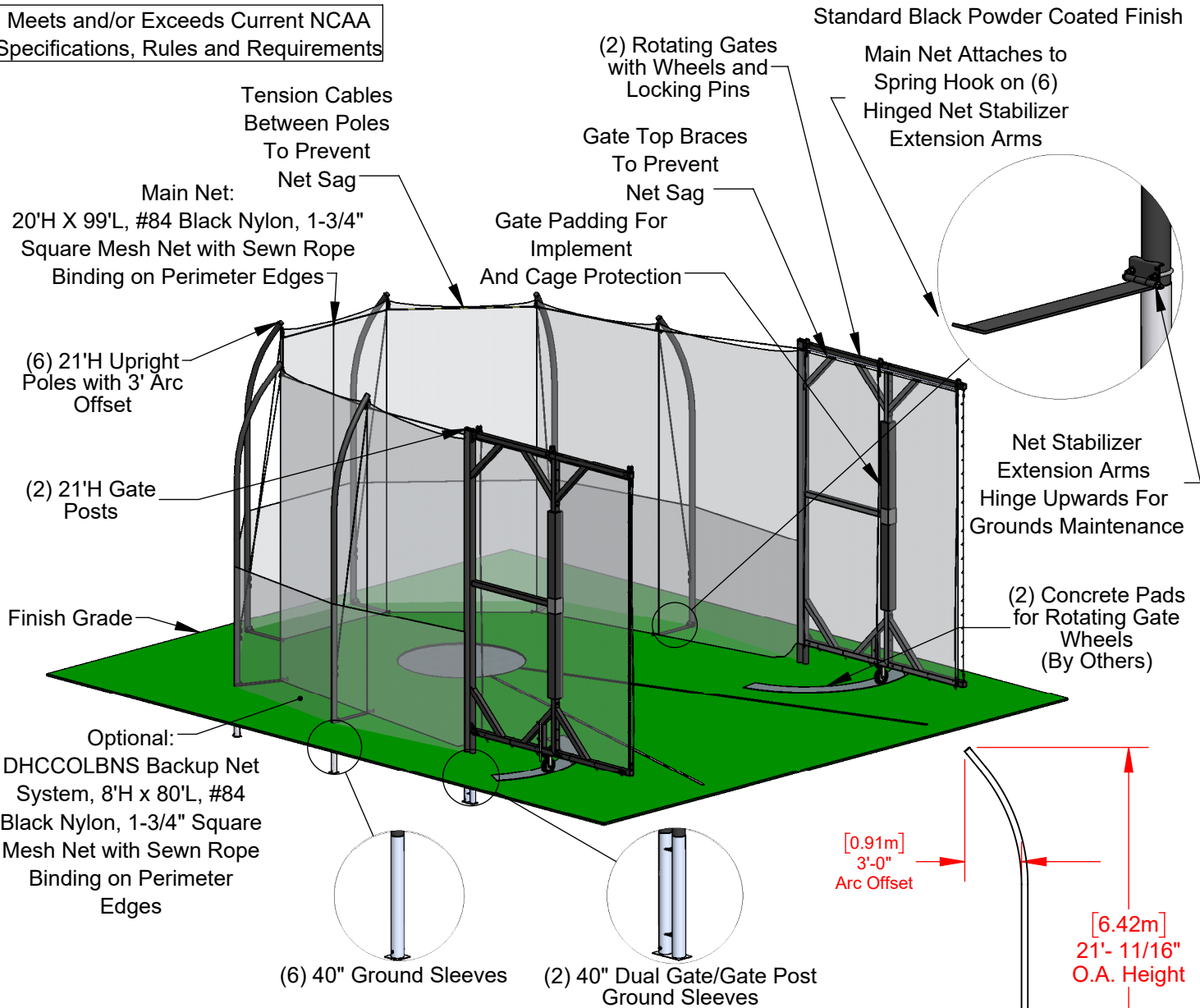
THE INFORMATION CONTAINED IN THIS DRAWING IS THE SOLE PROPERTY OF SPORTSFIELD SPECIALTIES INC. ANY REPRODUCTION IN PART OR AS A WHOLE WITHOUT THE WRITTEN PERMISSION OF SPORTSFIELD SPECIALTIES INC. IS PROHIBITED.

Discus Cage Net Extension

Not To Scale

Sportsfield Specialties Inc 04072020

Meets and/or Exceeds Current NCAA Specifications, Rules and Requirements



Sportsfield Specialties, Inc. strongly recommends the removal of all nets prior to exposure to winter weather, including snow and/or ice storms. Whenever possible, the nets should also be lowered prior to any extreme wind events. Removal/Lowering of the nets will mitigate any unforeseen damage to the poles, nets and/or attachment hardware. Storing nets in a dry, pest free location will help extend the life of the nets. Sportsfield Specialties, Inc. will not be held liable or assume responsibility for any damage to the nets, poles and/or corresponding attachment hardware if the nets are not removed/lowered prior to the above described wind and/or weather events.

PROPRIETARY AND CONFIDENTIAL

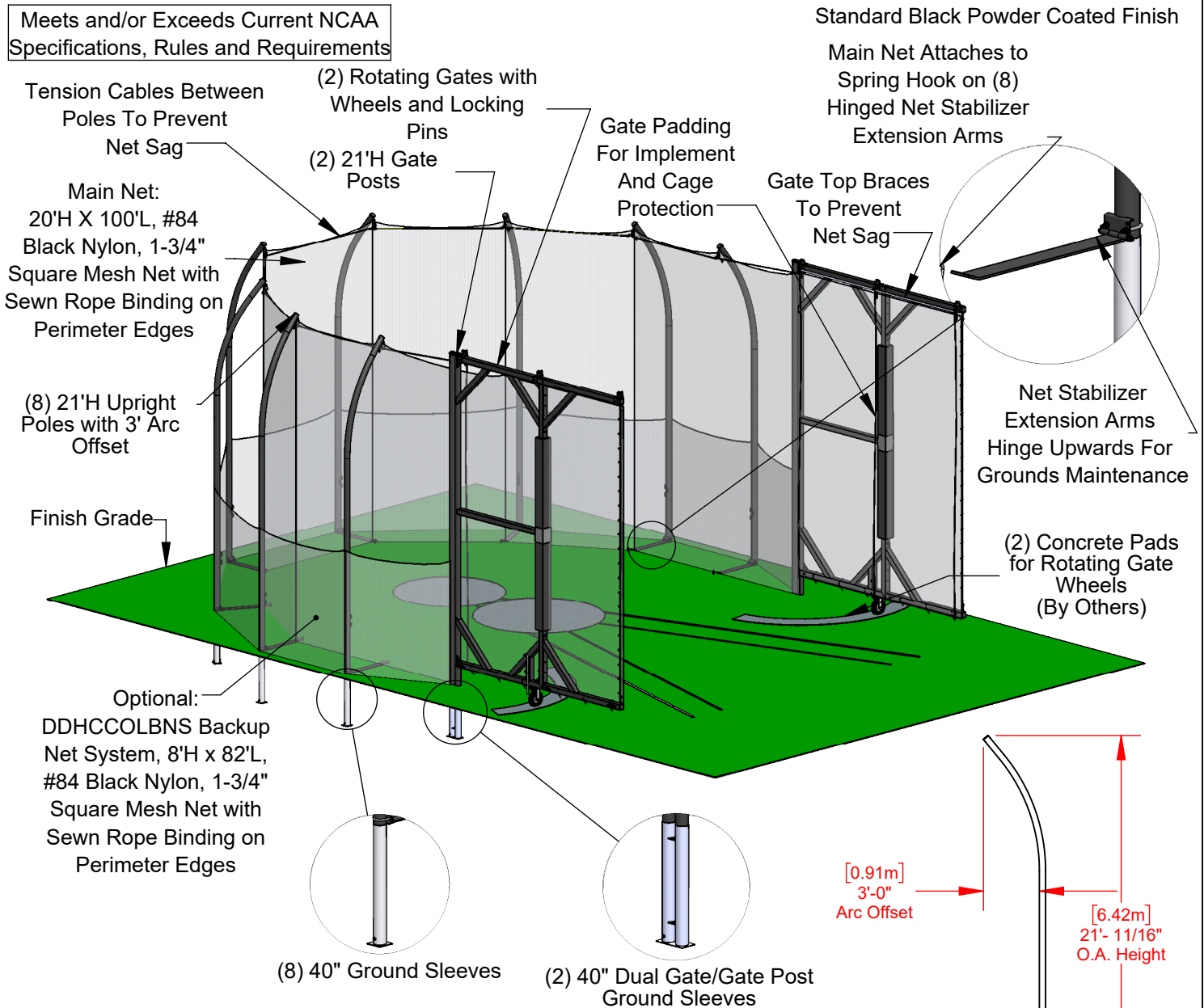
THE INFORMATION CONTAINED IN THIS DRAWING IS THE SOLE PROPERTY OF SPORTSFIELD SPECIALTIES INC. ANY REPRODUCTION IN PART OR AS A WHOLE WITHOUT THE WRITTEN PERMISSION OF SPORTSFIELD SPECIALTIES INC. IS PROHIBITED.

DHCCOL - College Discus/Hammer Cage (6.15M) Single Pad with Optional Backup Net System

Not To Scale

Sportsfield Specialties Inc 105817.1-221221

Meets and/or Exceeds Current NCAA Specifications, Rules and Requirements



Sportsfield Specialties, Inc. strongly recommends the removal of all nets prior to exposure to winter weather, including snow and/or ice storms. Whenever possible, the nets should also be lowered prior to any extreme wind events. Removal/Lowering of the nets will mitigate any unforeseen damage to the poles, nets and/or attachment hardware. Storing nets in a dry, pest free location will help extend the life of the nets. Sportsfield Specialties, Inc. will not be held liable or assume responsibility for any damage to the nets, poles and/or corresponding attachment hardware if the nets are not removed/lowered prior to the above described wind and/or weather events.

PROPRIETARY AND CONFIDENTIAL

THE INFORMATION CONTAINED IN THIS DRAWING IS THE SOLE PROPERTY OF SPORTSFIELD SPECIALTIES INC. ANY REPRODUCTION IN PART OR AS A WHOLE WITHOUT THE WRITTEN PERMISSION OF SPORTSFIELD SPECIALTIES INC. IS PROHIBITED.

DDHCCOL - College Discus/Hammer Cage (6.15M) Dual Pad with Optional Backup Net System

Not To Scale

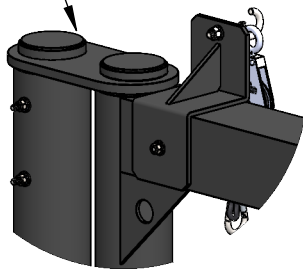
Sportsfield Specialties Inc 105818.1-221221

Standard Black Powder Coated Finish

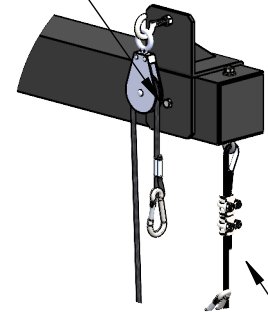
Fixed Pulley, Rope Tether, and Spring Hook for Easy Cage Net Install/Removal

Fixed Straight Gate Post
 4.0" O.D. Steel
 (3-1/2" Schedule 40)

Top Mounted Rotating Gate Hinge



[4.30m]
 14'-1 1/4"



1/4" Black Vinyl Coated Galvanized Wire Rope For 5/16" Quick-Clip Spring Hook Net Attachment on Vertical Cable

Gate Structure
 4.0" Square x
 3/16" Wall
 Aluminum
 Tubing

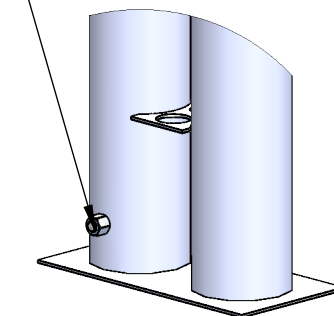
[6.45m]
 21'-2 1/8"

Rotating Gate Post
 4.0" O.D. Aluminum
 (3-1/2" Schedule 80)

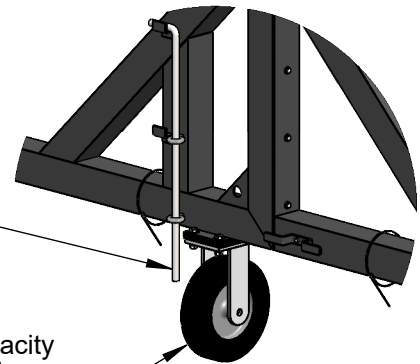
Finish Grade

[1.02m]
 3'-4"

Stop Bolt in Ground Sleeve for Locking Position



3/4" Stainless Steel Rod For Locking Rotating Gate Position



800 lb Capacity Hard Rubber, Rigid Caster With Foot Brake

PROPRIETARY AND CONFIDENTIAL

THE INFORMATION CONTAINED IN THIS DRAWING IS THE SOLE PROPERTY OF SPORTSFIELD SPECIALTIES INC. ANY REPRODUCTION IN PART OR AS A WHOLE WITHOUT THE WRITTEN PERMISSION OF SPORTSFIELD SPECIALTIES INC. IS PROHIBITED.

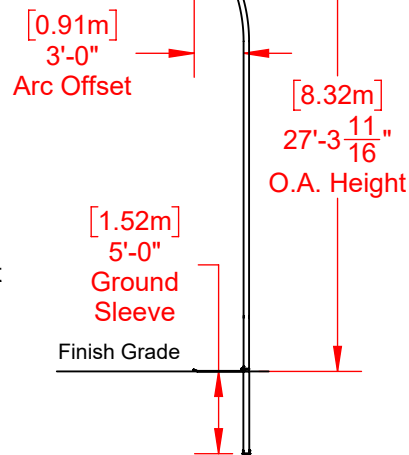
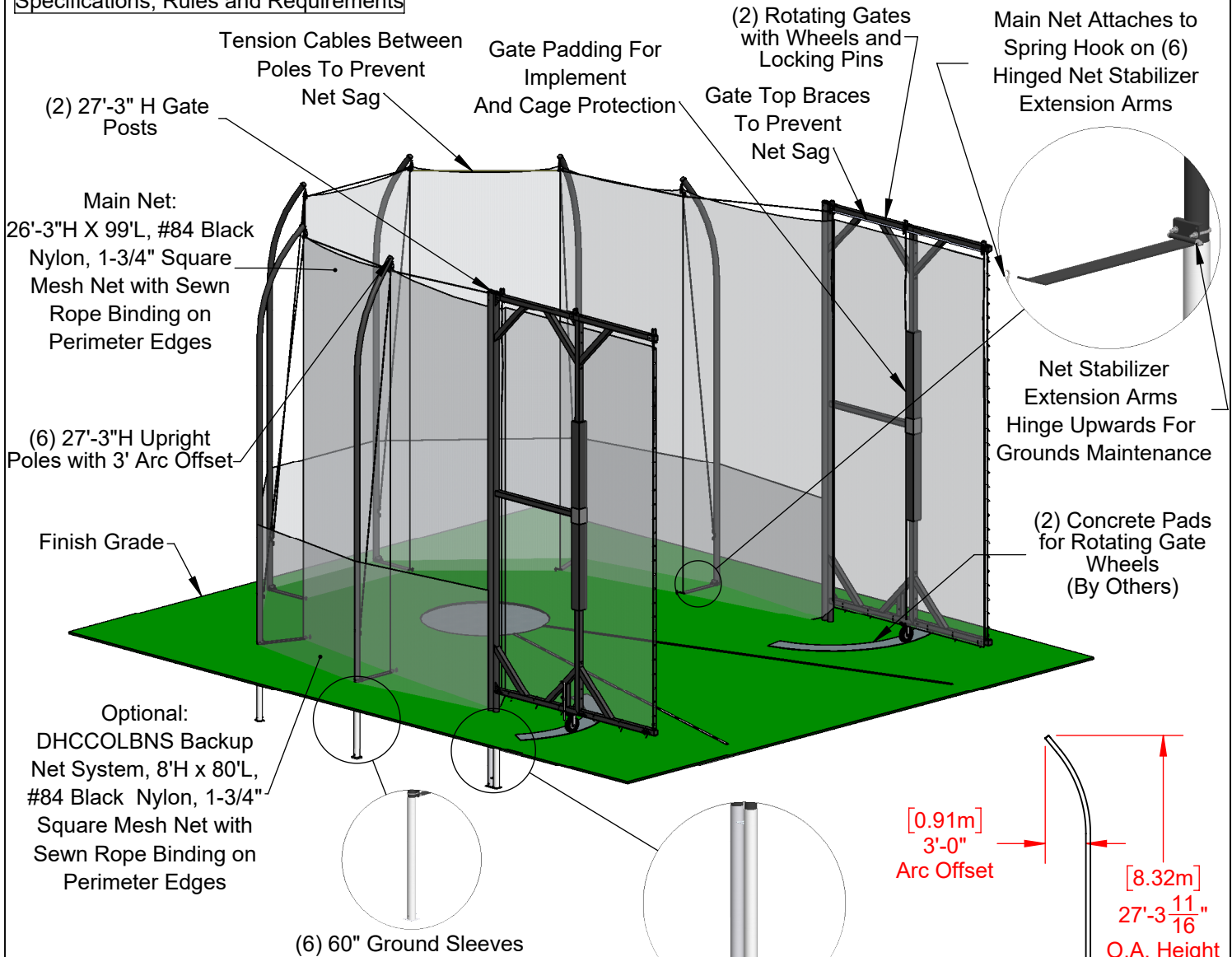
College Discus/Hammer Cage Rotating Gate & Gate Post Overview

Not To Scale

Sportsfield Specialties Inc 105819.1-221221

Meets and/or Exceeds Current NCAA Specifications, Rules and Requirements

Standard Black Powder Coated Finish



Sportsfield Specialties, Inc. strongly recommends the removal of all nets prior to exposure to winter weather, including snow and/or ice storms. Whenever possible, the nets should also be lowered prior to any extreme wind events. Removal/Lowering of the nets will mitigate any unforeseen damage to the poles, nets and/or attachment hardware. Storing nets in a dry, pest free location will help extend the life of the nets. Sportsfield Specialties, Inc. will not be held liable or assume responsibility for any damage to the nets, poles and/or corresponding attachment hardware if the nets are not removed/lowered prior to the above described wind and/or weather events.

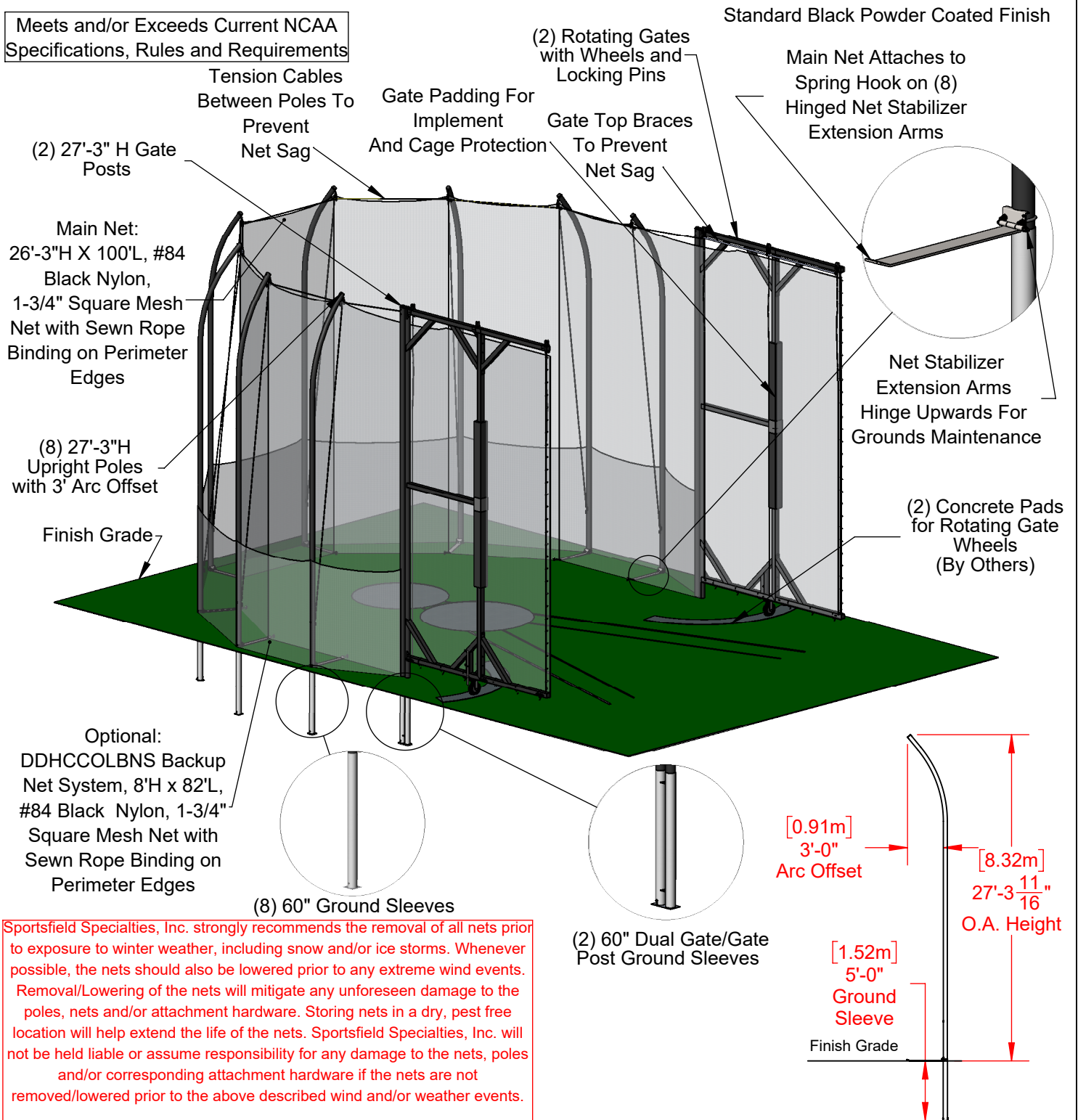
PROPRIETARY AND CONFIDENTIAL
 THE INFORMATION CONTAINED IN THIS DRAWING IS THE SOLE PROPERTY OF SPORTSFIELD SPECIALTIES INC. ANY REPRODUCTION IN PART OR AS A WHOLE WITHOUT THE WRITTEN PERMISSION OF SPORTSFIELD SPECIALTIES INC. IS PROHIBITED.

**DHCCOLT - College Tall Discus/Hammer Cage (8M)
 Single Pad with Optional Backup Net System**

Not To Scale

Sportsfield Specialties Inc 105820.1-221221

Meets and/or Exceeds Current NCAA Specifications, Rules and Requirements



Sportsfield Specialties, Inc. strongly recommends the removal of all nets prior to exposure to winter weather, including snow and/or ice storms. Whenever possible, the nets should also be lowered prior to any extreme wind events. Removal/Lowering of the nets will mitigate any unforeseen damage to the poles, nets and/or attachment hardware. Storing nets in a dry, pest free location will help extend the life of the nets. Sportsfield Specialties, Inc. will not be held liable or assume responsibility for any damage to the nets, poles and/or corresponding attachment hardware if the nets are not removed/lowered prior to the above described wind and/or weather events.

PROPRIETARY AND CONFIDENTIAL

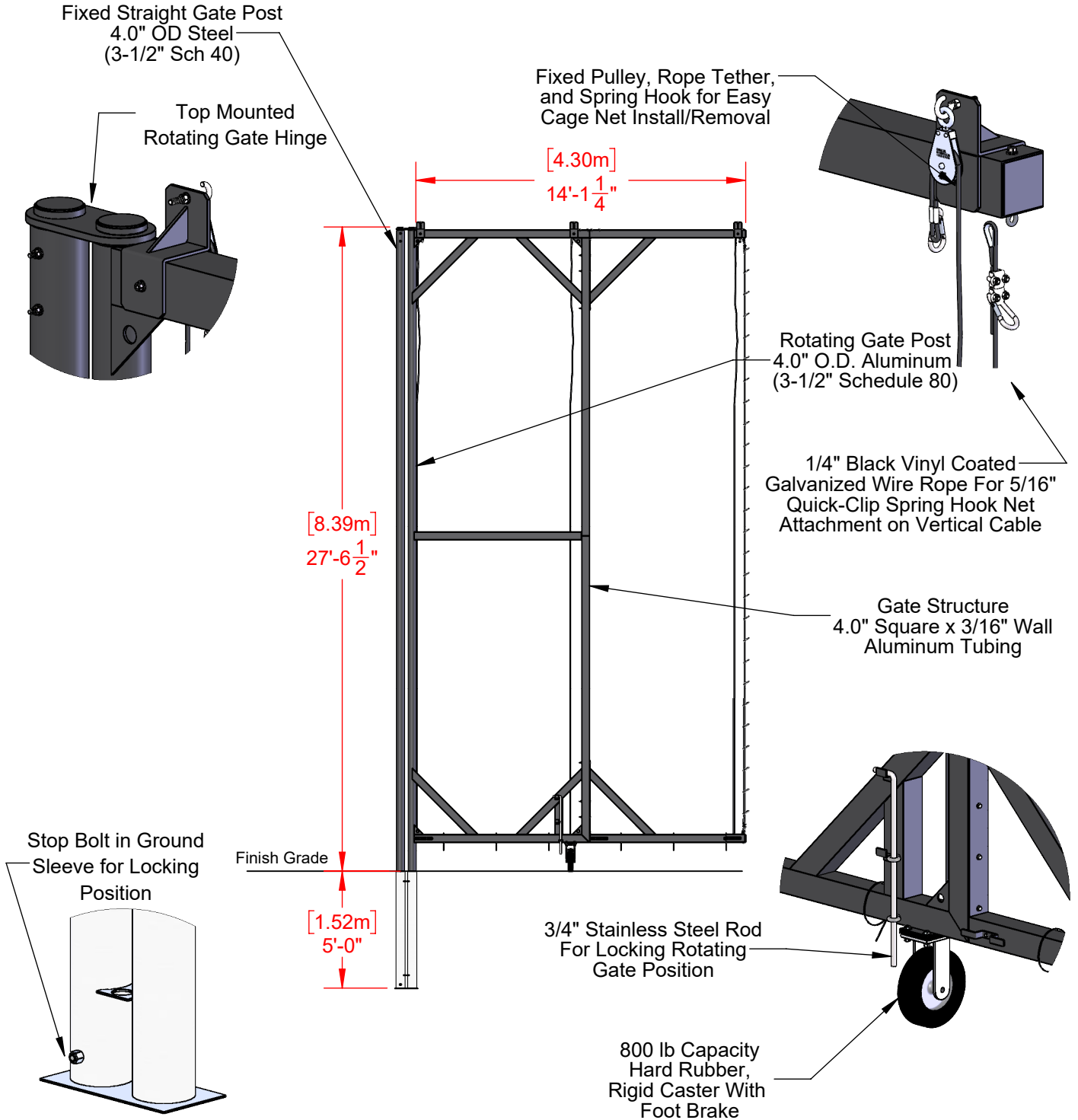
THE INFORMATION CONTAINED IN THIS DRAWING IS THE SOLE PROPERTY OF SPORTSFIELD SPECIALTIES INC. ANY REPRODUCTION IN PART OR AS A WHOLE WITHOUT THE WRITTEN PERMISSION OF SPORTSFIELD SPECIALTIES INC. IS PROHIBITED.

DDHCCOLT - College Tall Discus/Hammer Cage (8M) Dual Pad with Optional Backup Net System

Not To Scale

Sportsfield Specialties Inc 105821.1-221221

Standard Black Powder Coated Finish



PROPRIETARY AND CONFIDENTIAL

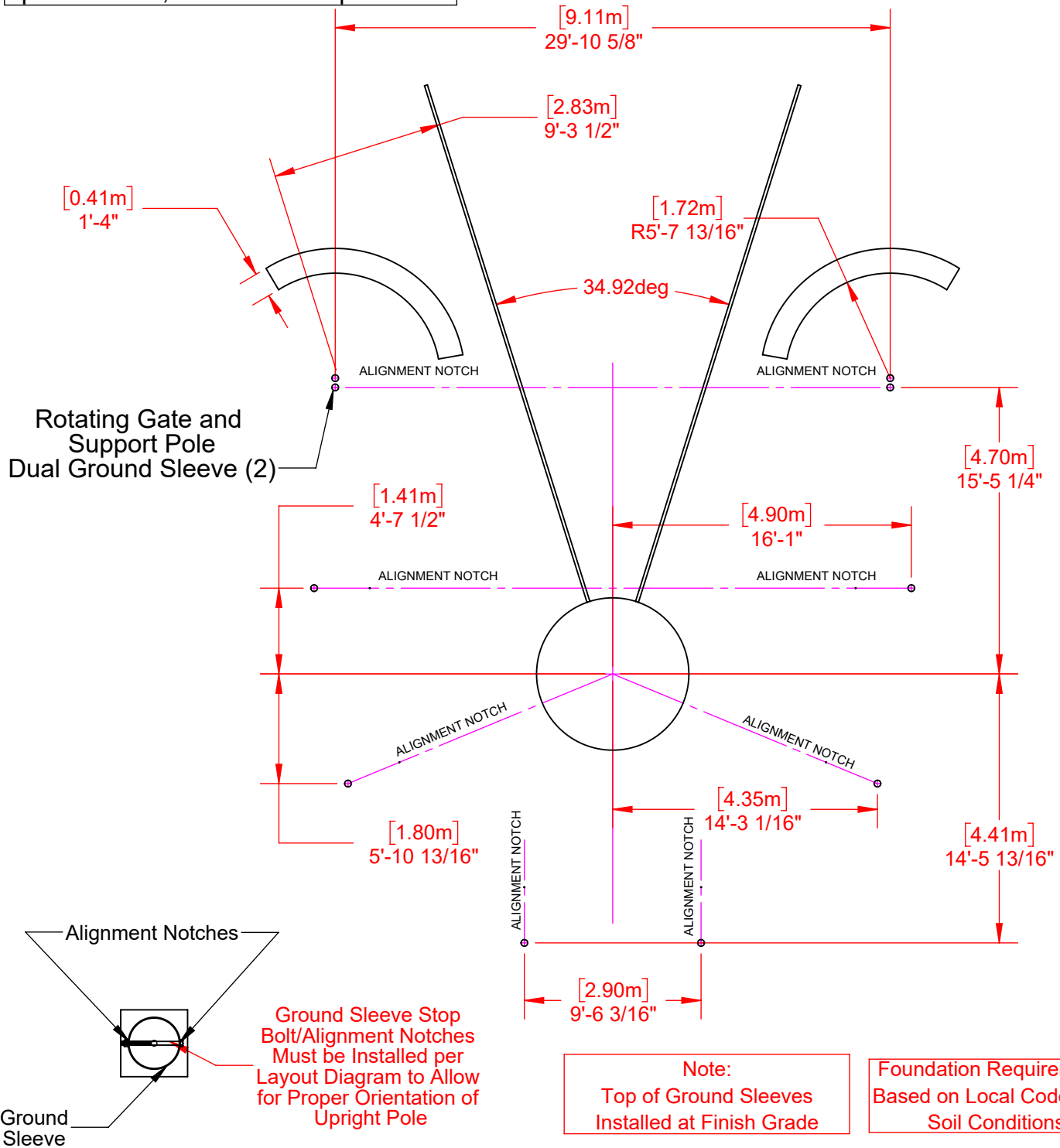
THE INFORMATION CONTAINED IN THIS DRAWING IS THE SOLE PROPERTY OF SPORTSFIELD SPECIALTIES INC. ANY REPRODUCTION IN PART OR AS A WHOLE WITHOUT THE WRITTEN PERMISSION OF SPORTSFIELD SPECIALTIES INC. IS PROHIBITED.

College Tall Discus/Hammer Cage Rotating Gate & Gate Post Overview

Not To Scale

Sportsfield Specialties Inc 105822.1-221221

Meets and/or Exceeds Current NCAA Specifications, Rules and Requirements



PROPRIETARY AND CONFIDENTIAL

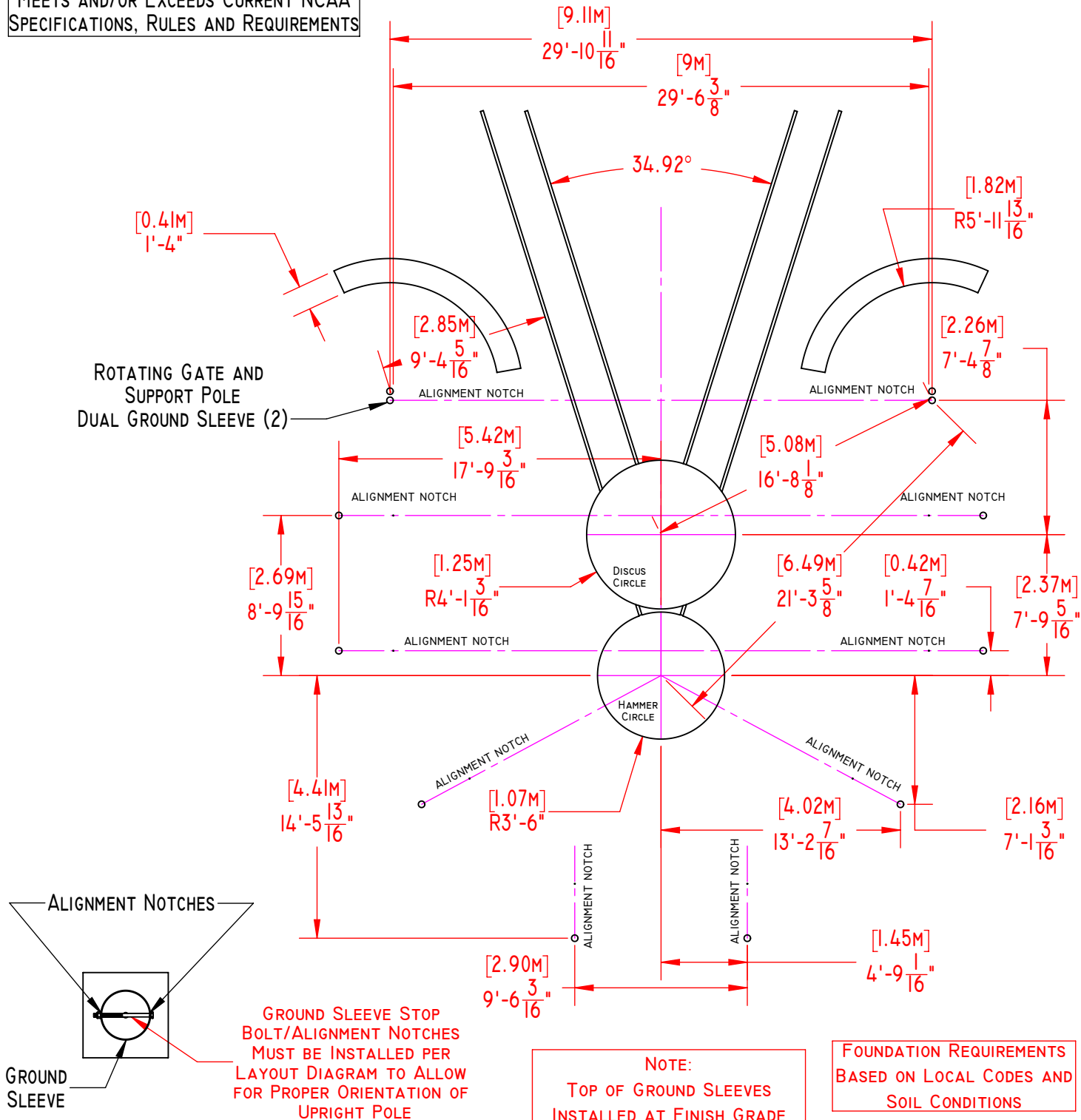
THE INFORMATION CONTAINED IN THIS DRAWING IS THE SOLE PROPERTY OF SPORTSFIELD SPECIALTIES INC. ANY REPRODUCTION IN PART OR AS A WHOLE WITHOUT THE WRITTEN PERMISSION OF SPORTSFIELD SPECIALTIES INC. IS PROHIBITED.

College Discus/Hammer Cage Single Pad Ground Sleeve Layout

Not To Scale

Sportsfield Specialties Inc 105823.1-221221

MEETS AND/OR EXCEEDS CURRENT NCAA SPECIFICATIONS, RULES AND REQUIREMENTS



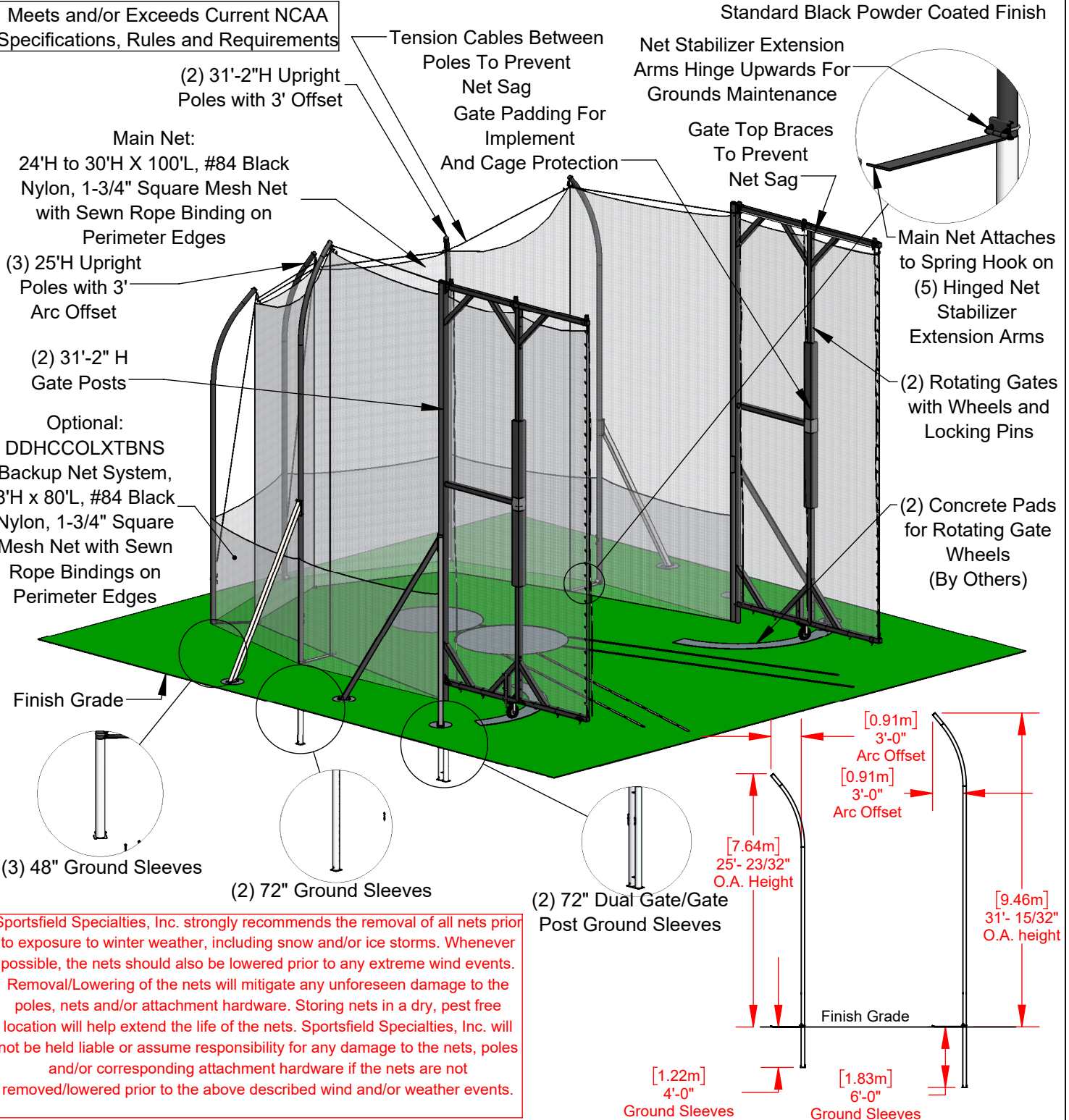
PROPRIETARY AND CONFIDENTIAL
THE INFORMATION CONTAINED IN THIS DRAWING IS THE SOLE PROPERTY OF SPORTSFIELD SPECIALTIES INC. ANY REPRODUCTION IN PART OR AS A WHOLE WITHOUT THE WRITTEN PERMISSION OF SPORTSFIELD SPECIALTIES INC. IS PROHIBITED.

**COLLEGE DISCUS/HAMMER CAGE
DUAL PAD GROUND SLEEVE LAYOUT**

NOT TO SCALE

SPORTSFIELD SPECIALTIES INC 04122019

Meets and/or Exceeds Current NCAA Specifications, Rules and Requirements



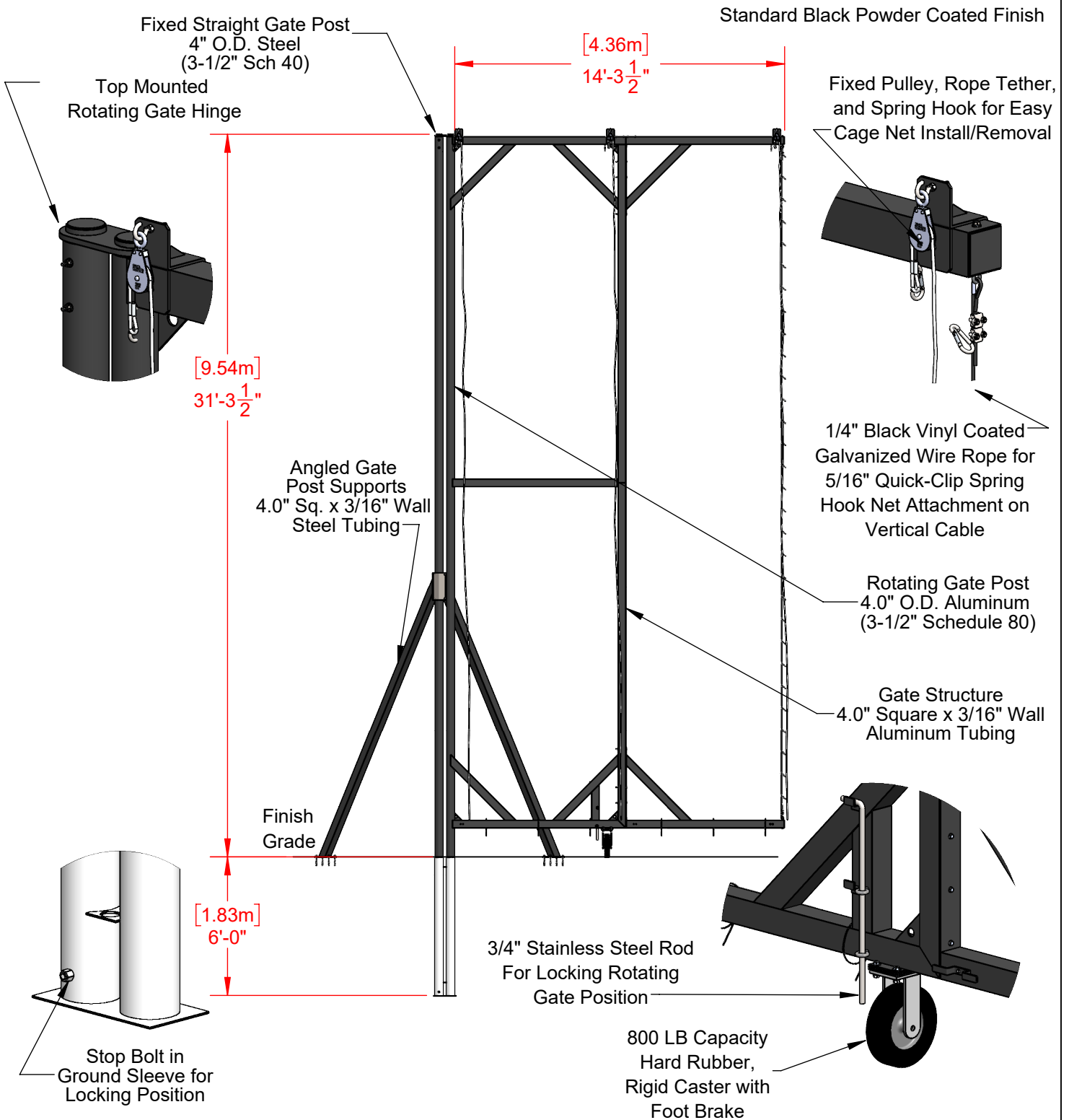
Sportsfield Specialties, Inc. strongly recommends the removal of all nets prior to exposure to winter weather, including snow and/or ice storms. Whenever possible, the nets should also be lowered prior to any extreme wind events. Removal/Lowering of the nets will mitigate any unforeseen damage to the poles, nets and/or attachment hardware. Storing nets in a dry, pest free location will help extend the life of the nets. Sportsfield Specialties, Inc. will not be held liable or assume responsibility for any damage to the nets, poles and/or corresponding attachment hardware if the nets are not removed/lowered prior to the above described wind and/or weather events.

PROPRIETARY AND CONFIDENTIAL

THE INFORMATION CONTAINED IN THIS DRAWING IS THE SOLE PROPERTY OF SPORTSFIELD SPECIALTIES INC. ANY REPRODUCTION IN PART OR AS A WHOLE WITHOUT THE WRITTEN PERMISSION OF SPORTSFIELD SPECIALTIES INC. IS PROHIBITED.

Not To Scale

Sportsfield Specialties Inc 105825.1-221221



PROPRIETARY AND CONFIDENTIAL

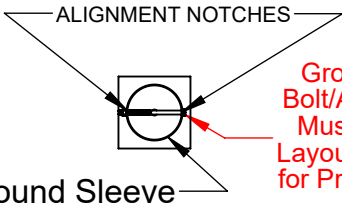
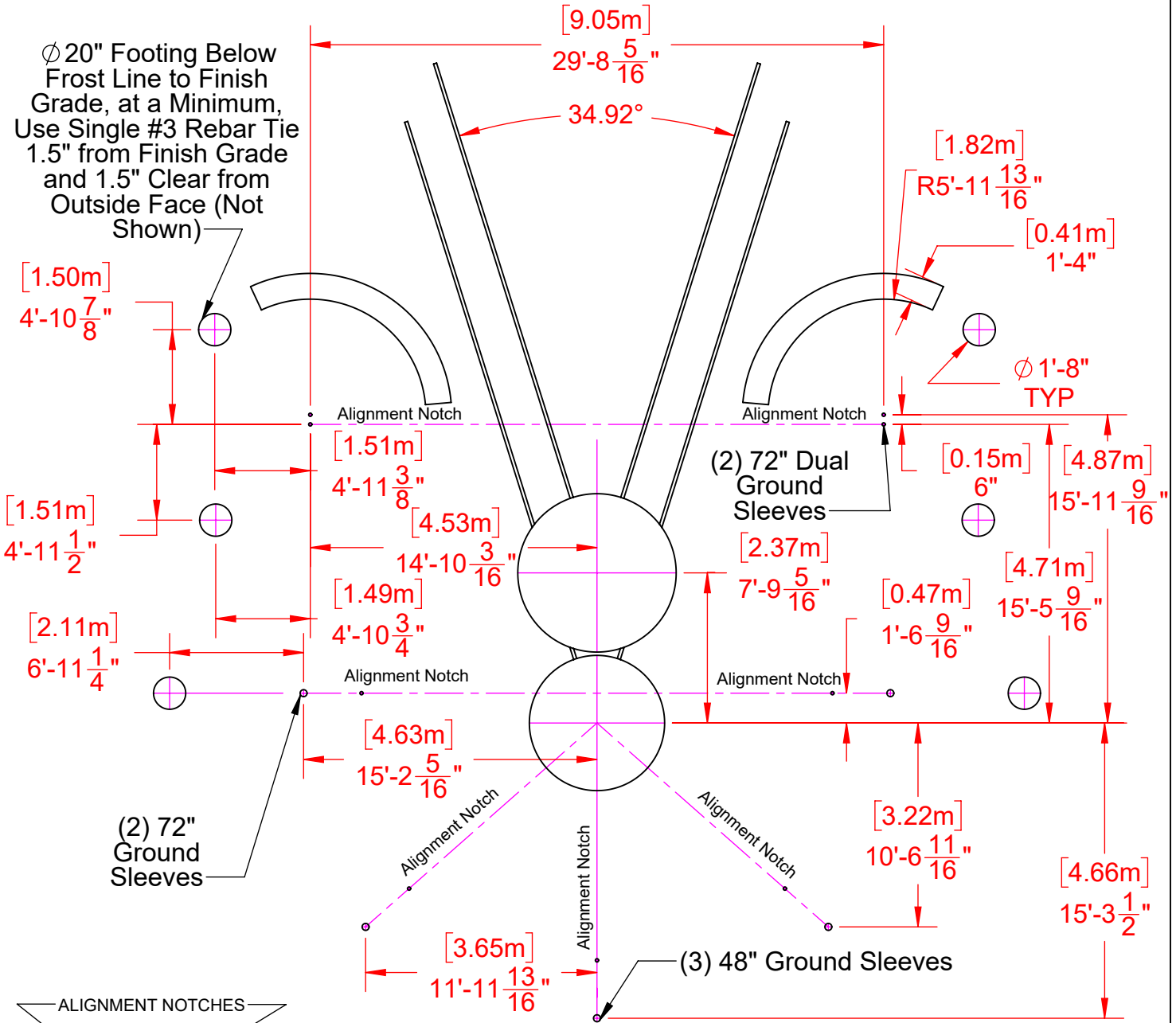
THE INFORMATION CONTAINED IN THIS DRAWING IS THE SOLE PROPERTY OF SPORTSFIELD SPECIALTIES INC. ANY REPRODUCTION IN PART OR AS A WHOLE WITHOUT THE WRITTEN PERMISSION OF SPORTSFIELD SPECIALTIES INC. IS PROHIBITED.

DDHCCOLXT - College Extra Tall Discus/Hammer Cage Rotating Gate & Gate Post Overview

Not To Scale

Sportsfield Specialties Inc 105826.1-221221

Meets and/or Exceeds Current NCAA Specifications, Rules and Requirements



Ground Sleeve Stop Bolt/Alignment Notches Must be Installed per Layout Diagram to Allow for Proper Orientation of Upright Pole

Note:
 Top of Ground Sleeves Installed At Finish Grade

Foundation Requirements Based on Local Codes and Soil Conditions

PROPRIETARY AND CONFIDENTIAL

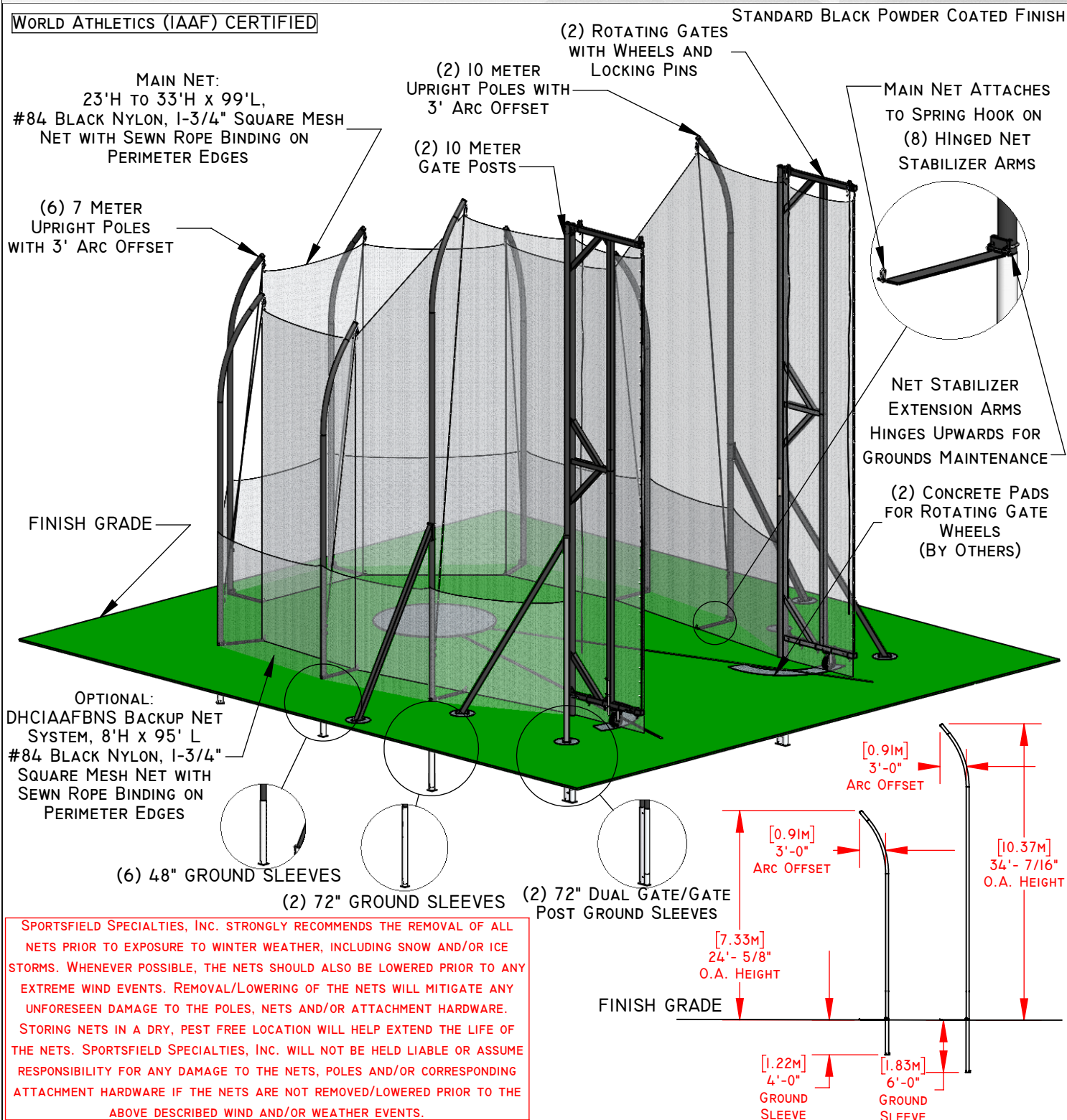
THE INFORMATION CONTAINED IN THIS DRAWING IS THE SOLE PROPERTY OF SPORTSFIELD SPECIALTIES INC. ANY REPRODUCTION IN PART OR AS A WHOLE WITHOUT THE WRITTEN PERMISSION OF SPORTSFIELD SPECIALTIES INC. IS PROHIBITED.

DDHCCOLXT - College Extra Tall Discus/Hammer Cage Dual Pad Ground Sleeve Layout

Not To Scale

Sportsfield Specialties Inc 105827.1-221221

WORLD ATHLETICS (IAAF) CERTIFIED



SPORTSFIELD SPECIALTIES, INC. STRONGLY RECOMMENDS THE REMOVAL OF ALL NETS PRIOR TO EXPOSURE TO WINTER WEATHER, INCLUDING SNOW AND/OR ICE STORMS. WHENEVER POSSIBLE, THE NETS SHOULD ALSO BE LOWERED PRIOR TO ANY EXTREME WIND EVENTS. REMOVAL/LOWERING OF THE NETS WILL MITIGATE ANY UNFORESEEN DAMAGE TO THE POLES, NETS AND/OR ATTACHMENT HARDWARE. STORING NETS IN A DRY, PEST FREE LOCATION WILL HELP EXTEND THE LIFE OF THE NETS. SPORTSFIELD SPECIALTIES, INC. WILL NOT BE HELD LIABLE OR ASSUME RESPONSIBILITY FOR ANY DAMAGE TO THE NETS, POLES AND/OR CORRESPONDING ATTACHMENT HARDWARE IF THE NETS ARE NOT REMOVED/LOWERING PRIOR TO THE ABOVE DESCRIBED WIND AND/OR WEATHER EVENTS.

PROPRIETARY AND CONFIDENTIAL
THE INFORMATION CONTAINED IN THIS DRAWING IS THE SOLE PROPERTY OF SPORTSFIELD SPECIALTIES INC. ANY REPRODUCTION IN PART OR AS A WHOLE WITHOUT THE WRITTEN PERMISSION OF SPORTSFIELD SPECIALTIES INC. IS PROHIBITED.

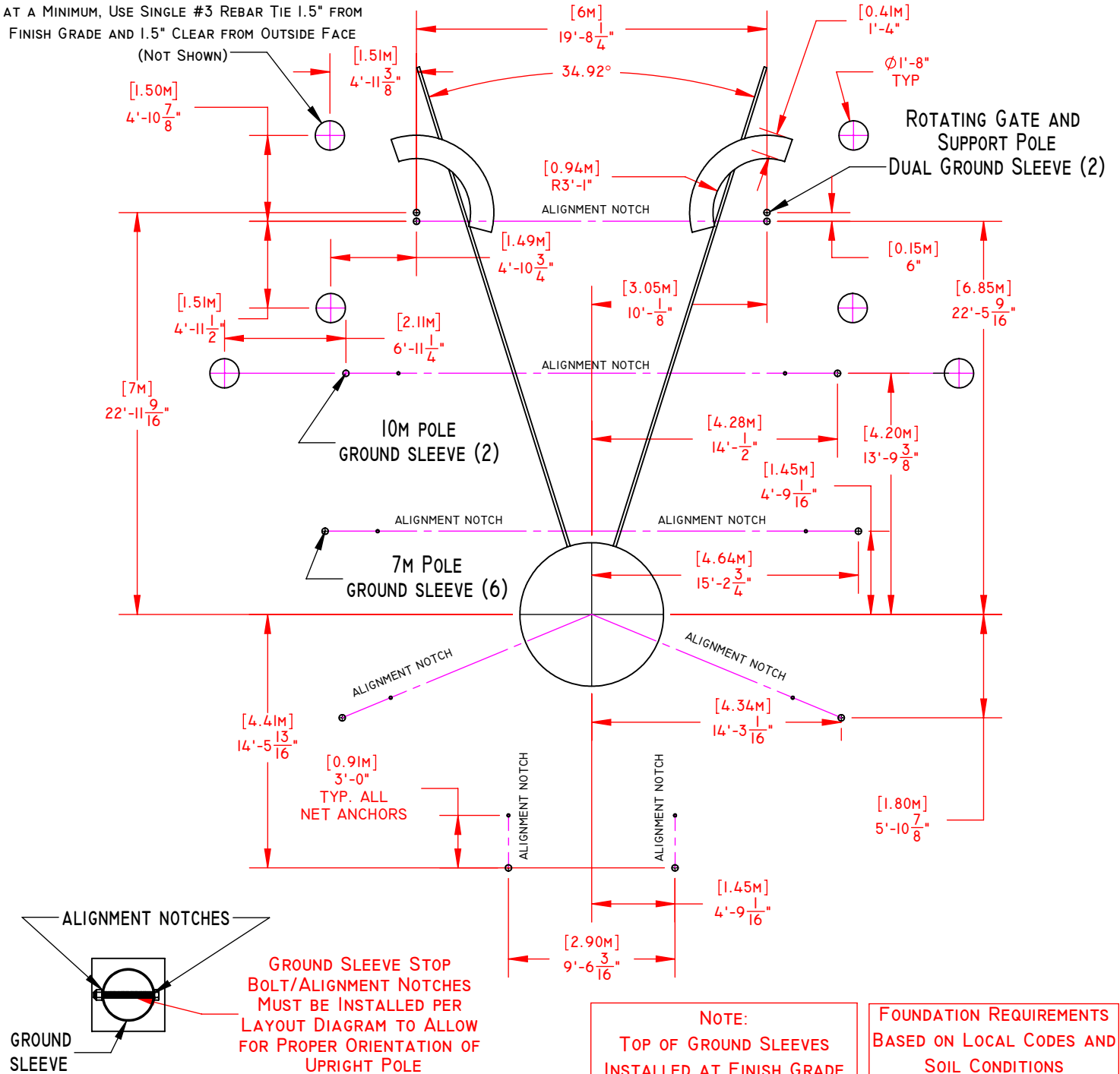
**DHCIAAF WORLD ATHLETICS (IAAF) DISCUS/HAMMER CAGE
SINGLE PAD WITH OPTIONAL BACKUP NET SYSTEM**

NOT TO SCALE

SPORTSFIELD SPECIALTIES INC 03042020

MEETS AND/OR EXCEEDS CURRENT WORLD ATHLETICS (IAAF) SPECIFICATIONS, RULES AND REQUIREMENTS

Ø20" FOOTING BELOW FROST LINE TO FINISH GRADE
AT A MINIMUM, USE SINGLE #3 REBAR TIE 1.5" FROM FINISH GRADE AND 1.5" CLEAR FROM OUTSIDE FACE (NOT SHOWN)



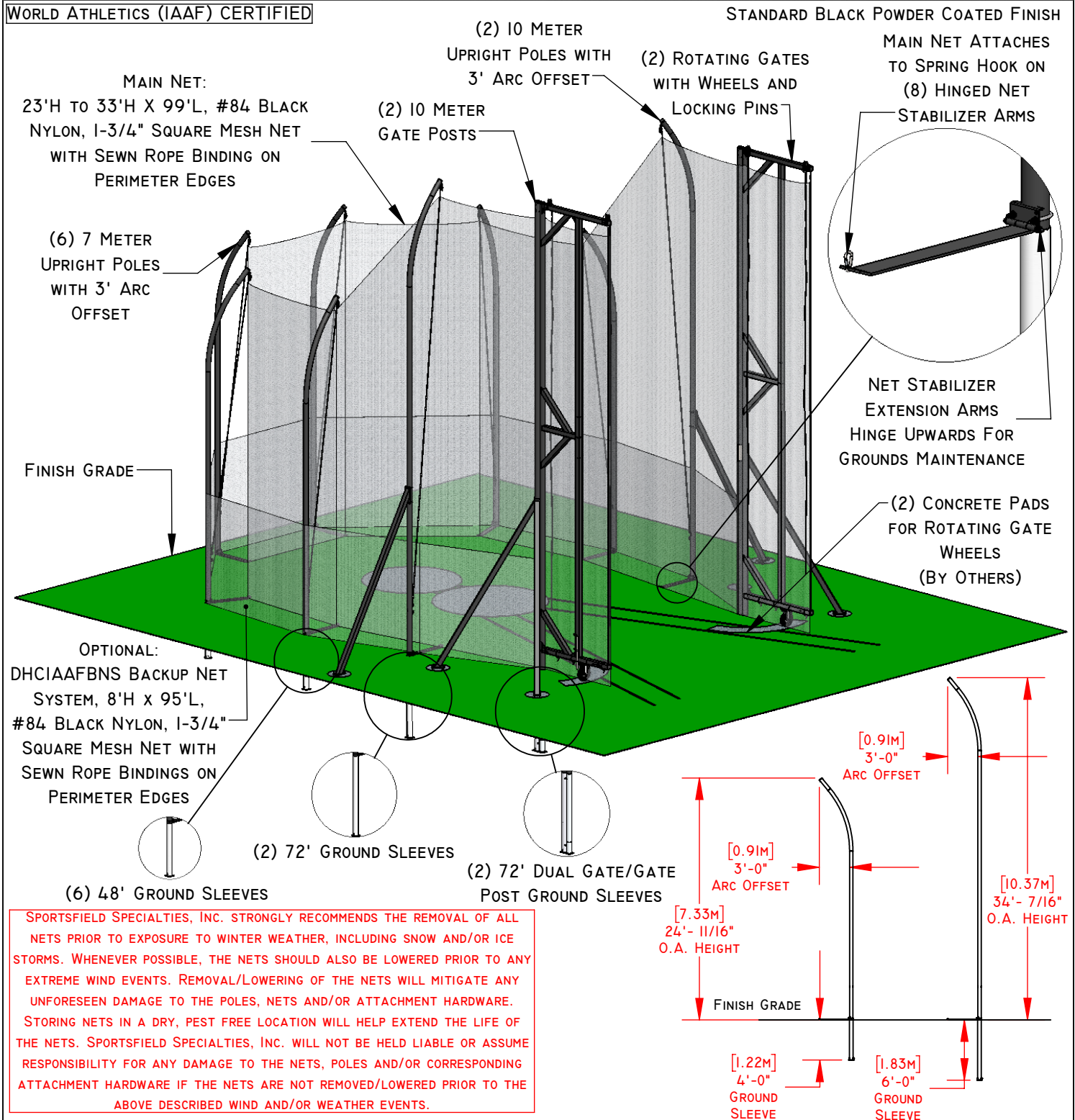
PROPRIETARY AND CONFIDENTIAL
THE INFORMATION CONTAINED IN THIS DRAWING IS THE SOLE PROPERTY OF SPORTSFIELD SPECIALTIES INC. ANY REPRODUCTION IN PART OR AS A WHOLE WITHOUT THE WRITTEN PERMISSION OF SPORTSFIELD SPECIALTIES INC. IS PROHIBITED.

**DHCIAAF WORLD ATHLETICS (IAAF) DISCUS/HAMMER CAGE
SINGLE PAD GROUND SLEEVE LAYOUT**

NOT TO SCALE

SPORTSFIELD SPECIALTIES INC 03042020

WORLD ATHLETICS (IAAF) CERTIFIED



SPORTSFIELD SPECIALTIES, INC. STRONGLY RECOMMENDS THE REMOVAL OF ALL NETS PRIOR TO EXPOSURE TO WINTER WEATHER, INCLUDING SNOW AND/OR ICE STORMS. WHENEVER POSSIBLE, THE NETS SHOULD ALSO BE LOWERED PRIOR TO ANY EXTREME WIND EVENTS. REMOVAL/LOWERING OF THE NETS WILL MITIGATE ANY UNFORESEEN DAMAGE TO THE POLES, NETS AND/OR ATTACHMENT HARDWARE. STORING NETS IN A DRY, PEST FREE LOCATION WILL HELP EXTEND THE LIFE OF THE NETS. SPORTSFIELD SPECIALTIES, INC. WILL NOT BE HELD LIABLE OR ASSUME RESPONSIBILITY FOR ANY DAMAGE TO THE NETS, POLES AND/OR CORRESPONDING ATTACHMENT HARDWARE IF THE NETS ARE NOT REMOVED/LOWERED PRIOR TO THE ABOVE DESCRIBED WIND AND/OR WEATHER EVENTS.

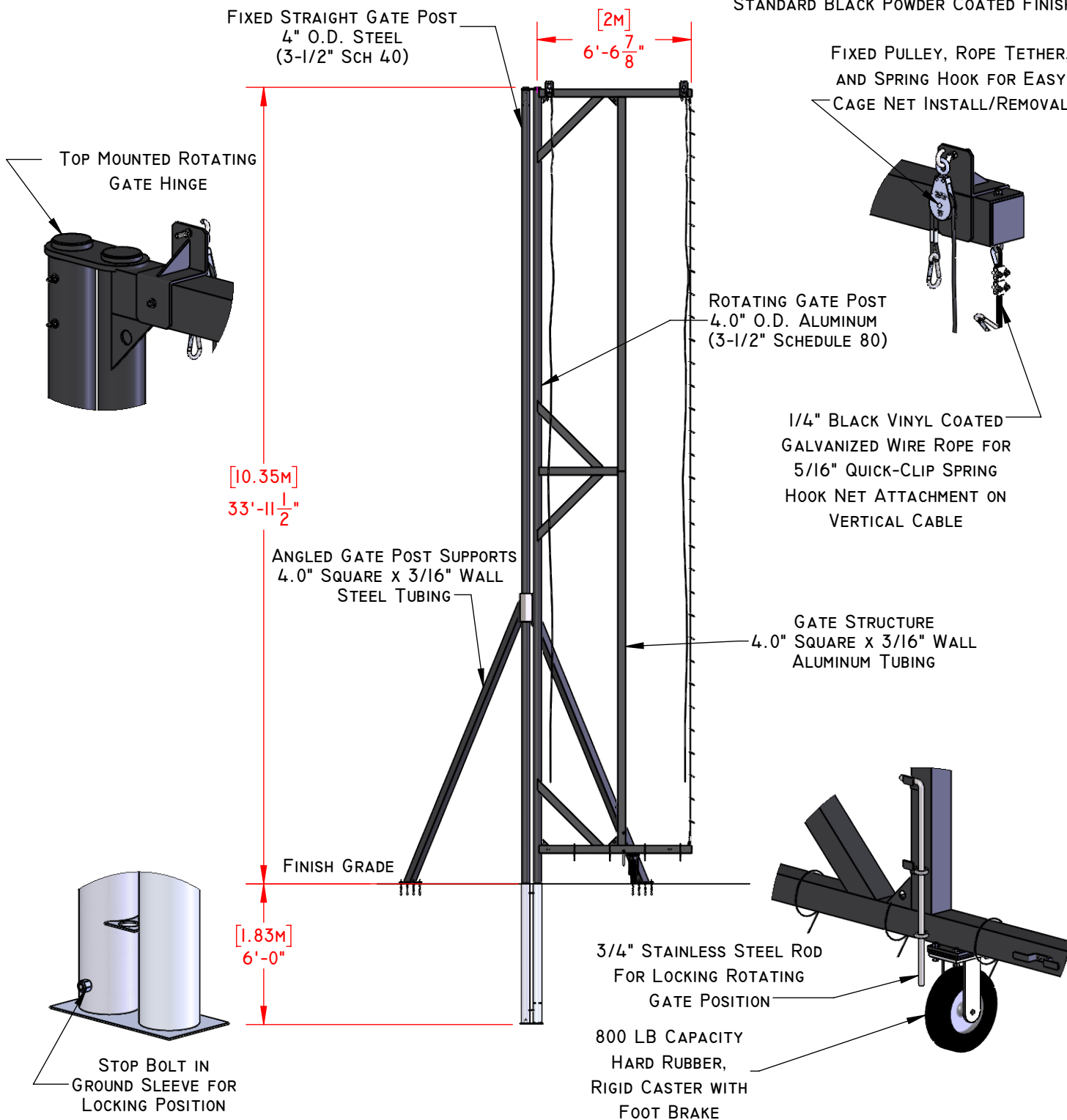
PROPRIETARY AND CONFIDENTIAL
THE INFORMATION CONTAINED IN THIS DRAWING IS THE SOLE PROPERTY OF SPORTSFIELD SPECIALTIES INC. ANY REPRODUCTION IN PART OR AS A WHOLE WITHOUT THE WRITTEN PERMISSION OF SPORTSFIELD SPECIALTIES INC. IS PROHIBITED.

**DDHCIAAF WORLD ATHLETICS (IAAF) DISCUS/HAMMER CAGE
DUAL PAD WITH OPTIONAL BACKUP NET SYSTEM**

NOT TO SCALE

SPORTSFIELD SPECIALTIES INC 03042020

STANDARD BLACK POWDER COATED FINISH



PROPRIETARY AND CONFIDENTIAL
THE INFORMATION CONTAINED IN THIS DRAWING IS THE SOLE PROPERTY OF SPORTSFIELD SPECIALTIES INC. ANY REPRODUCTION IN PART OR AS A WHOLE WITHOUT THE WRITTEN PERMISSION OF SPORTSFIELD SPECIALTIES INC. IS PROHIBITED.

**WORLD ATHLETICS (IAAF) DISCUS/HAMMER CAGE
ROTATING GATE & GATE POST OVERVIEW**

NOT TO SCALE

SPORTSFIELD SPECIALTIES INC 03042020



- Length, Height and Configuration as Required
- #84 Knotted Nylon Netting
- 4.5mm (0.178") Diameter Twine
- 765 lb. (347 kg) Minimum Breaking Strength per Bar of Netting
- 1-3/4" (44 mm) Square Mesh Size, 0.10 lbs. per Square Foot
- 3 Strand Twisted Nylon Fiber
- Sewn Perimeter Black Multi-Filament Polypropylene Solid Braid Rope
Bound Border - 1/4" Diameter, 530 lb. Minimum Breaking Strength
- Strong Resistance to Ultraviolet (UV) Light Degradation

PROPRIETARY AND CONFIDENTIAL

THE INFORMATION CONTAINED IN THIS DRAWING IS THE SOLE PROPERTY OF SPORTSFIELD SPECIALTIES INC. ANY REPRODUCTION IN PART OR AS A WHOLE WITHOUT THE WRITTEN PERMISSION OF SPORTSFIELD SPECIALTIES INC. IS PROHIBITED.

#84 Knotted Nylon Netting

Not To Scale

Sportsfield Specialties Inc 105828.1-221221