

# SPORTSFIELD SPECIALTIES

www.sportsfield.com | 888-975-3343

*Excellence from  
Design to Installation*



**Track & Field Accessories**



Sportsfield Specialties, Inc. 41155 State Hwy 10. Delhi, NY 13753



## Multi-Purpose Carts

### Product Overview

- Designed for general purpose equipment transport to and from storage
- Ideal for transporting landing systems, hurdles, and related equipment
- Heavy-duty powder coated aluminum construction with textured planks
- Large 12" pneumatic wheels for ease of transport over any surface
- Choose from three standard sizes: 4' x 8', 5' x 10', or 6' x 12'
- Available in a variety of standard powder coat colors

Item Number	Product Description
MC48	Multi-purpose cart - 4'W x 8'W
MC510	Multi-purpose cart - 5'W x 10'W
MC12	Multi-purpose cart - 6'W x 12'W

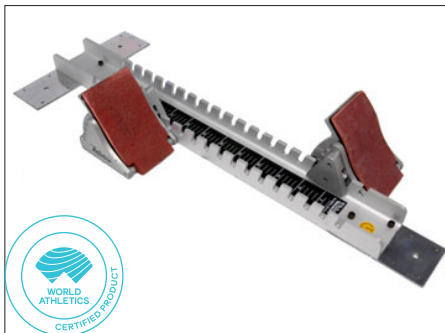


## Lane Gates

### Product Overview

- Extend the life of your track surface by distributing use
- Designed to reduce wear of the inside running lanes
- Simply lift and rotate position in ninety degree increments
- Super durable powder coated aluminum construction
- Locking models include provision for tamper resistant padlock

Item Number	Product Description
LGRT	Rotating track lane gates - set of (4)
LGRTL	Locking rotating track lane gates - set of (4)



## Starting Blocks

### Product Overview

- Quality starting blocks for all levels of competition
- Aluminum construction with rubber pedal coverings
- Adjustable pedals have four unique angle positions
- Designed to meet NFHS, NCAA, and World Athletics requirements
- Choose between Professional and Elite Scholastic models

Item Number	Product Description
N1132PR	Professional starting block - NCAA / World Athletics
N1131OSC	Elite scholastic starting block - NFHS

# Aluminum Track Curbing



## Product Overview

- 2" x 2" aluminum track curbing with rounded corners
- Straight and radius sections measure 20' in length
- Curbing sits 1/2" above synthetic track surface on ground supports for efficient drainage
- Unique Chevron Interlocking system between sections
- Form fitted and manufactured to exact track specifications
- Elevated 1/2" above surface for unimpeded drainage
- Meets World Athletics, NCAA, and USATF specifications, rules, and requirements
- Non-Permanent Installation
- Standard white powder coated finish, various other colors upon request

Item Number	Product Description
TCBM	Track curbing with natural mill finish
TCBP	Track curbing with powder coated finish



# Track Crossing Mats

## Product Overview

- Create a protected crossing area for students and staff
- Reduce track wear from repetitive foot traffic and cleats
- Perimeter weighted black geotextile fabric
- Perimeter edge features vinyl encased chain ballast

Item Number	Product Description
TCM7530	Weighted track crossing mat - 7'-6"W x 30'L
TCM1530	Weighted track crossing mat - 15'W x 30'L
TCM7540	Weighted track crossing mat - 7'-6"W x 40'L
TCM1540	Weighted track crossing mat - 15'W x 40'L
TCM7550	Weighted track crossing mat - 7'-6"W x 50'L



# Roll-Out Track Protectors

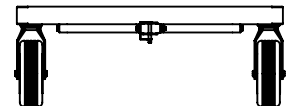
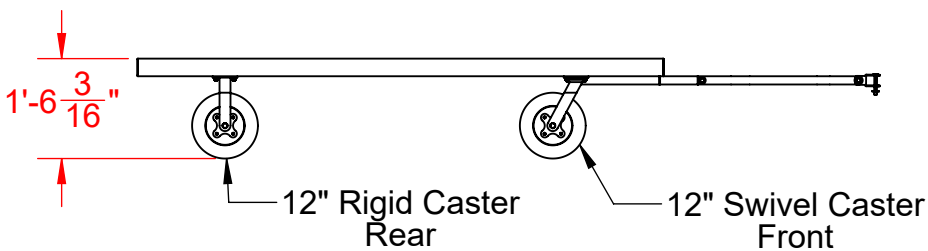
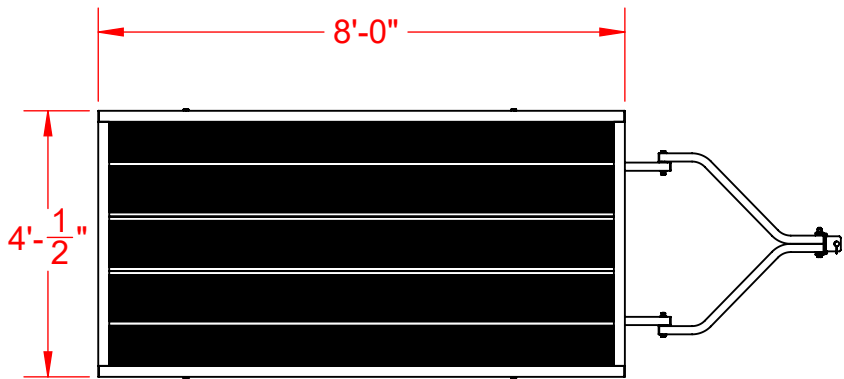
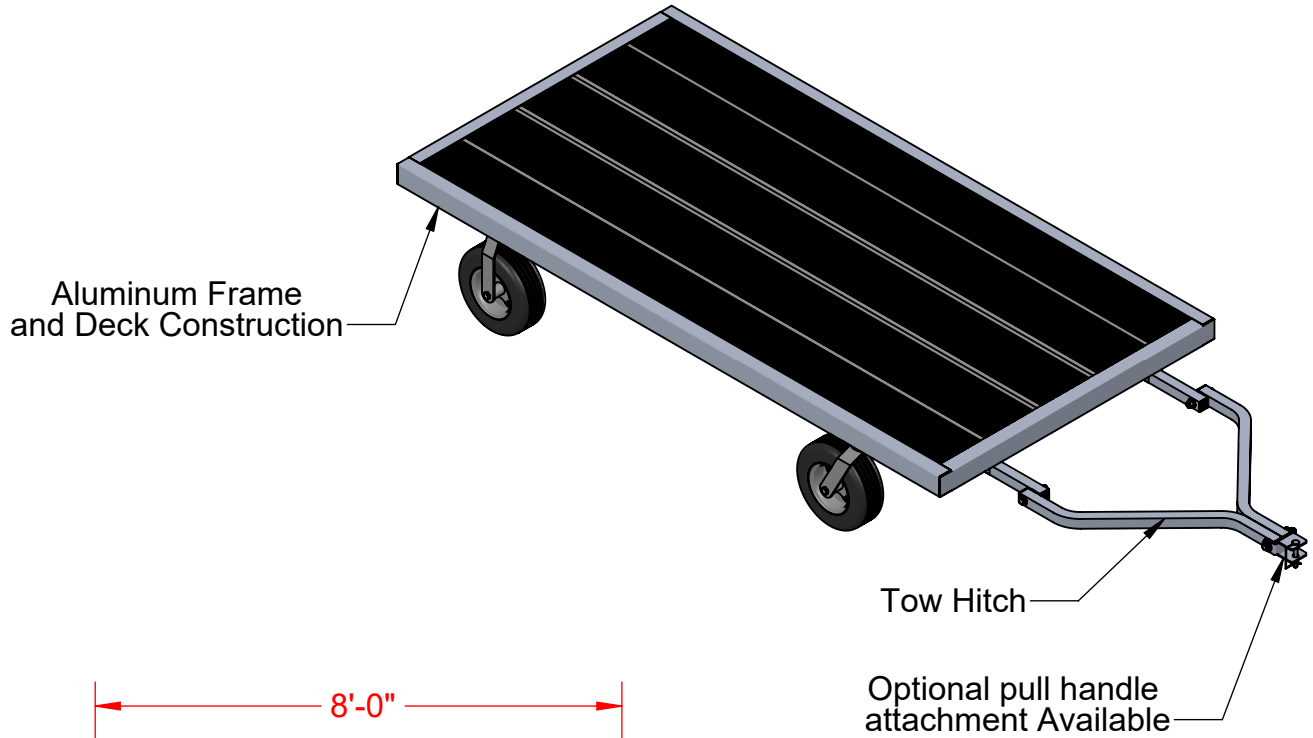
## Product Overview

- Create a protected crossing area for students and staff
- Reduce track wear from repetitive foot traffic and cleats
- Designed to be rolled and stored when not in use
- Black resilient recycled rubber construction
- Available in a variety of thicknesses, widths and lengths

Item Number	Product Description
RR1236	Roll-out rubber track protector - 12mm x 36"W x variable length
RR1248	Roll-out rubber track protector - 12mm x 48"W x variable length
RR1036	Roll-out rubber track protector - 10mm x 36"W x variable length
RR1048	Roll-out rubber track protector - 10mm x 48"W x variable length



Multiple color options available



**PROPRIETARY AND CONFIDENTIAL**

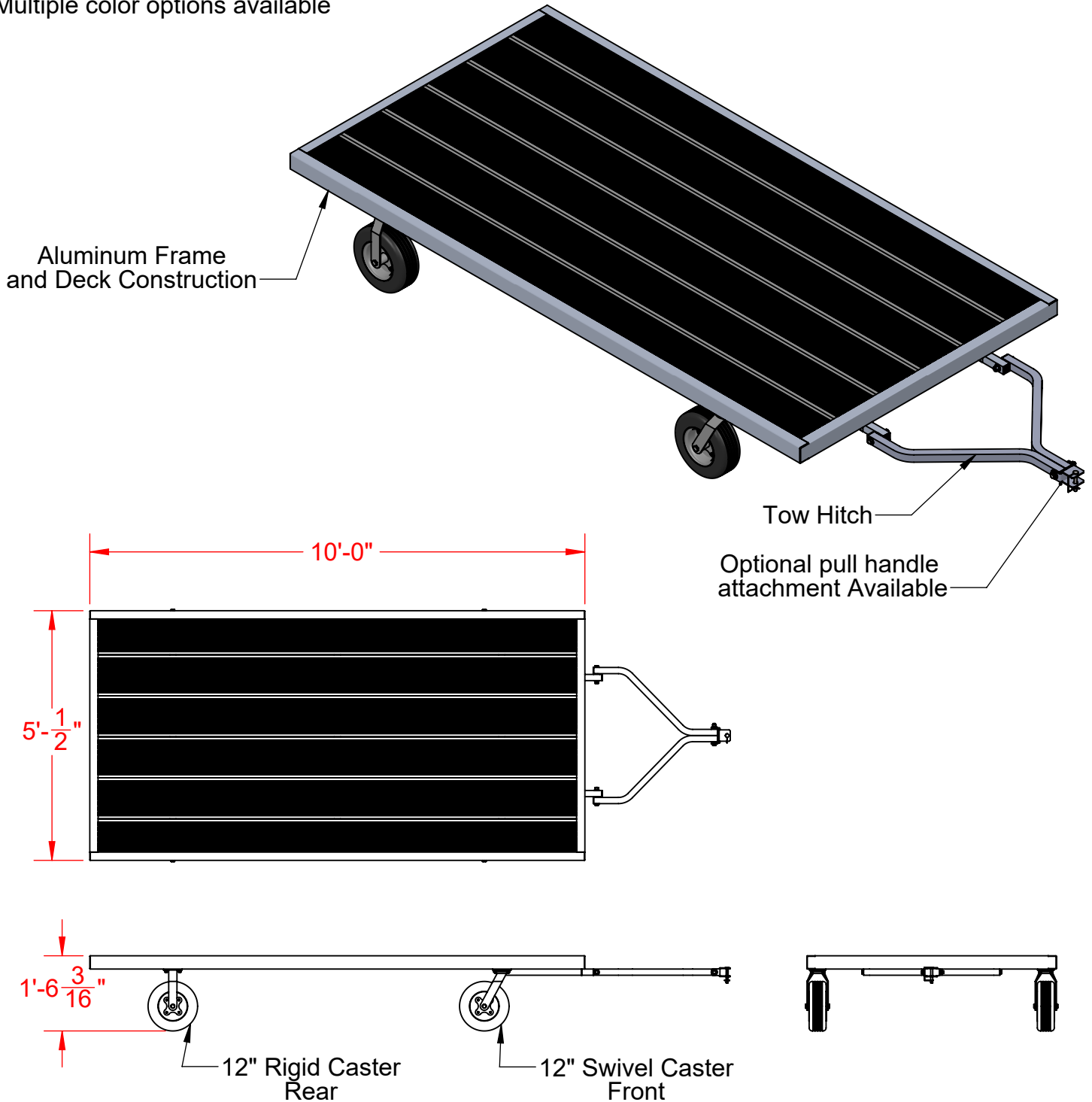
THE INFORMATION CONTAINED IN THIS DRAWING IS THE SOLE PROPERTY OF SPORTSFIELD SPECIALTIES INC. ANY REPRODUCTION IN PART OR AS A WHOLE WITHOUT THE WRITTEN PERMISSION OF SPORTSFIELD SPECIALTIES INC. IS PROHIBITED.

**MC48 - 4'W x 8'L Multi-Purpose Transport Cart**

Not To Scale

Sportsfield Specialties Inc 105893.1-221228

Multiple color options available



**PROPRIETARY AND CONFIDENTIAL**

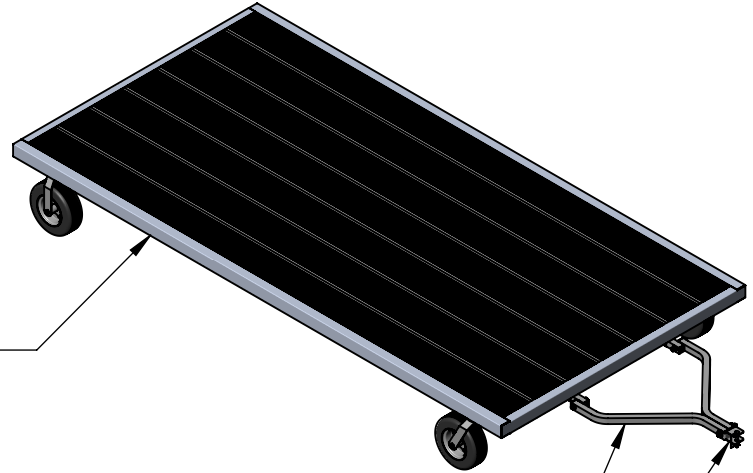
THE INFORMATION CONTAINED IN THIS DRAWING IS THE SOLE PROPERTY OF SPORTSFIELD SPECIALTIES INC. ANY REPRODUCTION IN PART OR AS A WHOLE WITHOUT THE WRITTEN PERMISSION OF SPORTSFIELD SPECIALTIES INC. IS PROHIBITED.

**MC510 - 5'W x 10'L**  
**Multi-Purpose Transport Cart**

Not To Scale

Sportsfield Specialties Inc 105892.1-221228

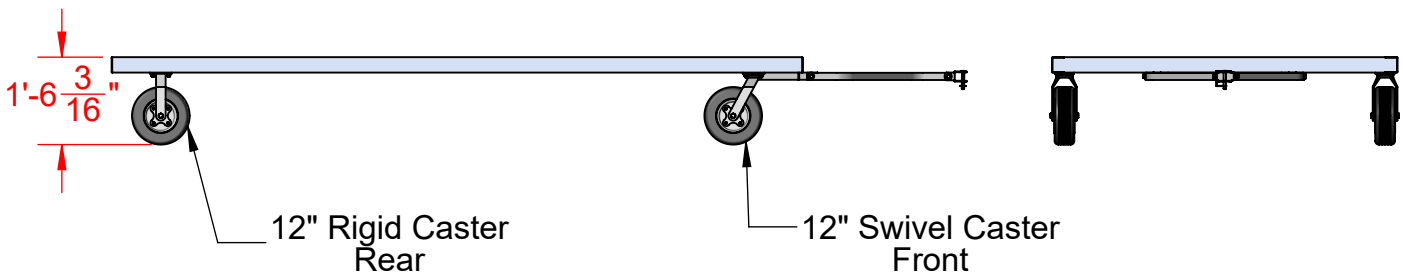
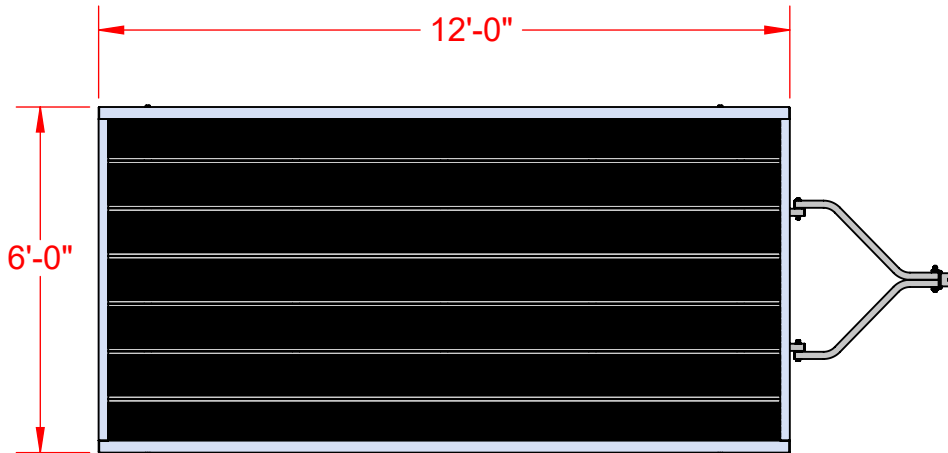
Multiple Color Options Available.



Welded Aluminum Frame  
and Deck Construction

Tow Hitch

Pull Handle/Hitch  
Attachment



12" Rigid Caster  
Rear

12" Swivel Caster  
Front

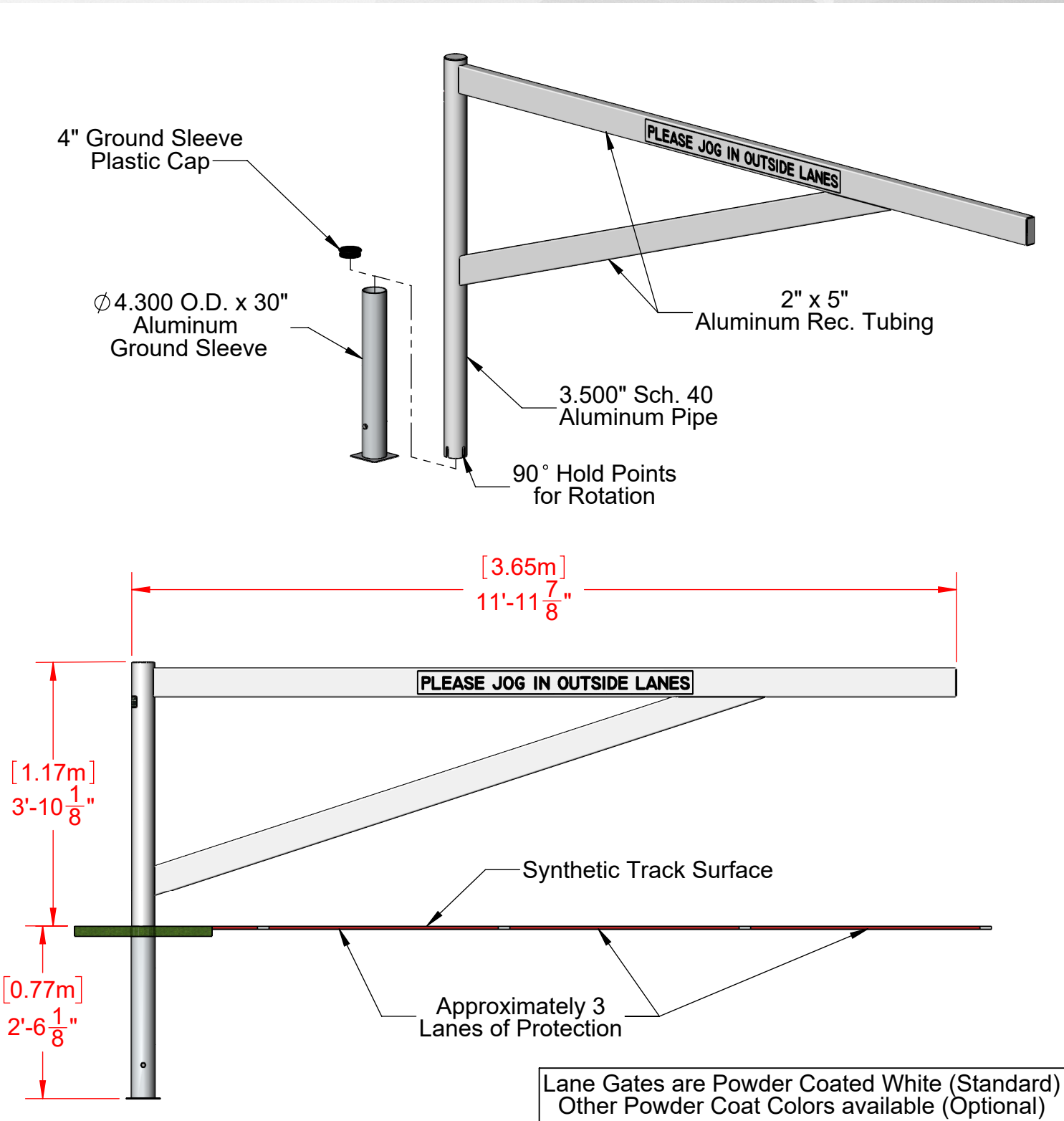
**PROPRIETARY AND CONFIDENTIAL**

THE INFORMATION CONTAINED IN THIS DRAWING IS THE SOLE PROPERTY OF SPORTSFIELD SPECIALTIES INC. ANY REPRODUCTION IN PART OR AS A WHOLE WITHOUT THE WRITTEN PERMISSION OF SPORTSFIELD SPECIALTIES INC. IS PROHIBITED.

**MC612 - 6'W x 12'L  
Multi-Purpose Transport Cart**

Not To Scale

Sportsfield Specialties Inc 105891.1-221228



PROPRIETARY AND CONFIDENTIAL

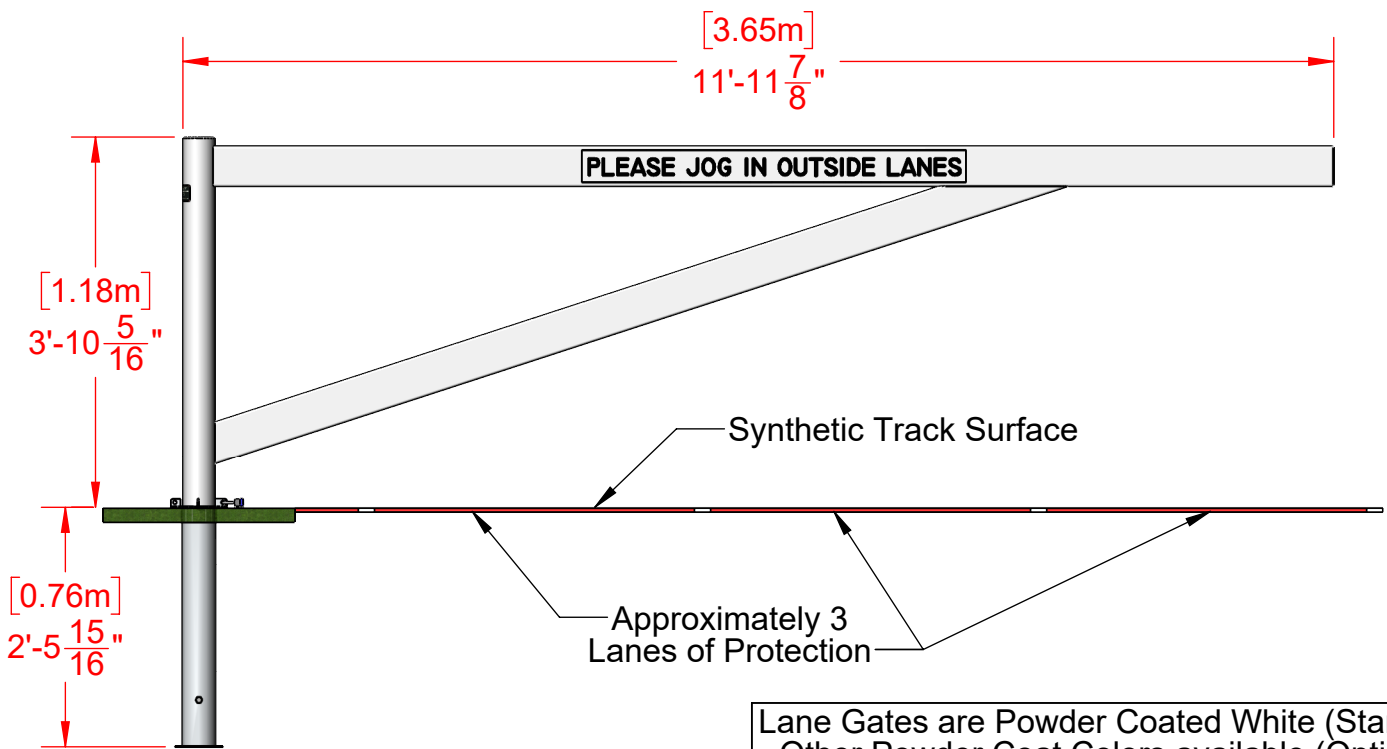
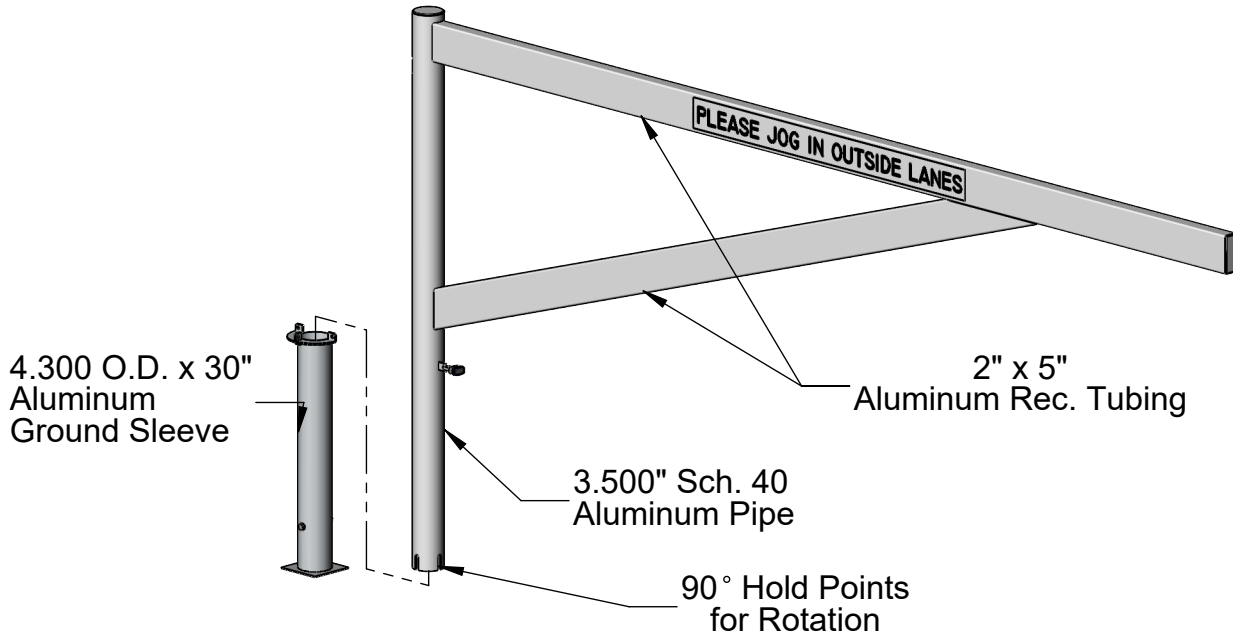
THE INFORMATION CONTAINED IN THIS DRAWING IS THE SOLE PROPERTY OF SPORTSFIELD SPECIALTIES INC. ANY REPRODUCTION IN PART OR AS A WHOLE WITHOUT THE WRITTEN PERMISSION OF SPORTSFIELD SPECIALTIES INC. IS PROHIBITED.

# LGRT - Non-Locking Track Lane Gate

Not To Scale

Sportsfield Specialties Inc 105888.1-221228





Lane Gates are Powder Coated White (Standard)  
 Other Powder Coat Colors available (Optional)

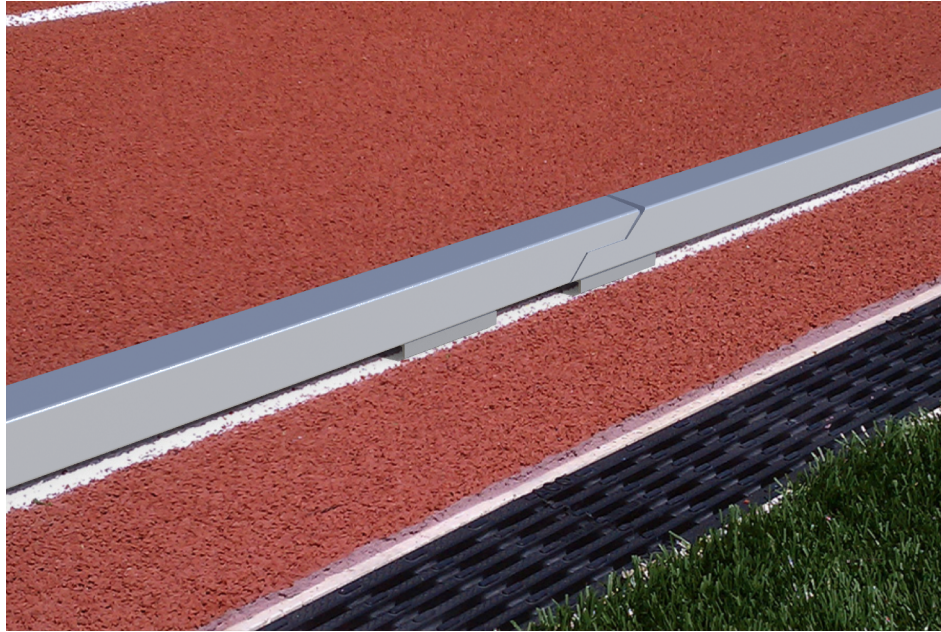
**PROPRIETARY AND CONFIDENTIAL**

THE INFORMATION CONTAINED IN THIS DRAWING IS THE SOLE PROPERTY OF SPORTSFIELD SPECIALTIES INC. ANY REPRODUCTION IN PART OR AS A WHOLE WITHOUT THE WRITTEN PERMISSION OF SPORTSFIELD SPECIALTIES INC. IS PROHIBITED.

**LGRTL - Locking Track Lane Gate**

Not To Scale

Sportsfield Specialties Inc 105887.1-221228



- Main Extrusion: 2" Square, 1/8" Wall with 1/8" Radius Corners, 6063 T6 Aluminum
- Joint Sleeve: 1.75" Square, 1/8" Wall with 1/8" Radius Corners, 6063 T6 Aluminum
- Ground Support: 2" x 0.5", 1/8" Wall, 6063 T6 Aluminum
- Unique Chevron Interlocking System Between Sections
- Straight and Radius Sections Measure Twenty Feet (20') in Length and Are Numbered for Ease of Installation
- Form Fitted and Manufactured to Exact Track Specifications From Provided Project Layout Drawings and Striping Plan Information, \*REQUIRED BY OTHERS
- Curbing Sits 1/2" Above Synthetic Track Surface on Ground Supports For Efficient Drainage
- Natural Mill Finish
- Meets World Athletics, NCAA, and USATF Specifications, Rules, and Requirements
- Non-Permanent Installation

**PROPRIETARY AND CONFIDENTIAL**

THE INFORMATION CONTAINED IN THIS DRAWING IS THE SOLE PROPERTY OF SPORTSFIELD SPECIALTIES INC. ANY REPRODUCTION IN PART OR AS A WHOLE WITHOUT THE WRITTEN PERMISSION OF SPORTSFIELD SPECIALTIES INC. IS PROHIBITED.

## TCBM Mill Finish Aluminum Track Curbing

Not To Scale

Sportsfield Specialties Inc 106595.4-230515



- Main Extrusion: 2" Square, 1/8" Wall with 1/8" Radius Corners, 6063 T6 Aluminum
- Joint Sleeve: 1.75" Square, 1/8" Wall with 1/8" Radius Corners, 6063 T6 Aluminum
- Ground Support: 2" x 0.5", 1/8" Wall, 6063 T6 Aluminum
- Unique Chevron Interlocking System Between Sections
- Straight and Radius Sections Measure Twenty Feet (20') in Length and are Numbered for Ease of Installation
- Form Fitted and Manufactured to Exact Track Specifications From Provided Project Layout Drawings and Striping Plan Information, \*REQUIRED BY OTHERS
- Curbing Sits 1/2" Above Synthetic Track Surface on Ground Supports For Efficient Drainage
- Standard White Powder Coated Finish, Various Additional Colors Available Upon Request
- Meets World Athletics, NCAA, and USATF Specifications, Rules, and Requirements
- Non-Permanent Installation

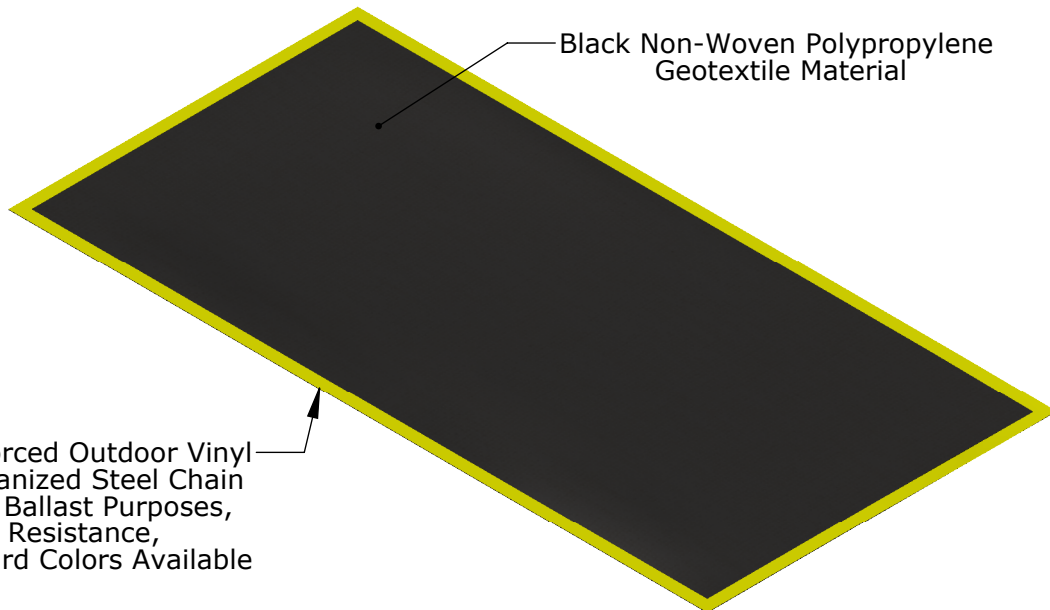
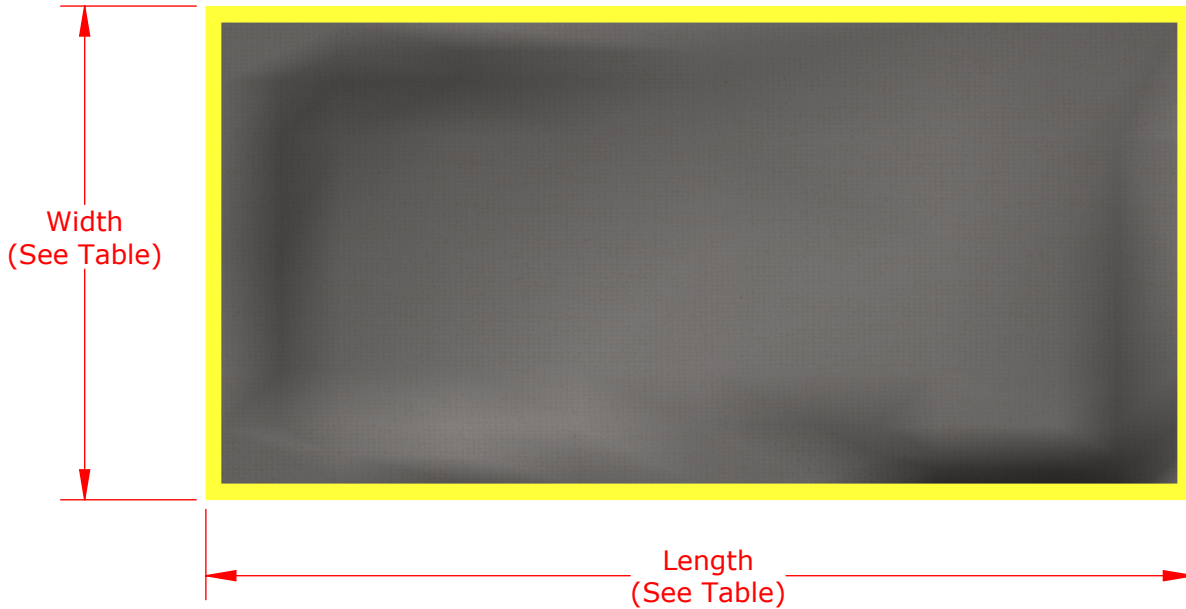
**PROPRIETARY AND CONFIDENTIAL**

THE INFORMATION CONTAINED IN THIS DRAWING IS THE SOLE PROPERTY OF SPORTSFIELD SPECIALTIES INC. ANY REPRODUCTION IN PART OR AS A WHOLE WITHOUT THE WRITTEN PERMISSION OF SPORTSFIELD SPECIALTIES INC. IS PROHIBITED.

## TCBP Powder Coated Finish Aluminum Track Curbing

Not To Scale

Sportsfield Specialties Inc 105885.3-230515



Part #	Width	Length
TCM1530	15'	30'
TCM1540	15'	40'
TCM1550	15'	50'
TCM7530	7'-6"	30'
TCM7540	7'-6"	40'
TCM7550	7'-6"	50'
TCM-CUSTOM	Custom Size	

**PROPRIETARY AND CONFIDENTIAL**

THE INFORMATION CONTAINED IN THIS DRAWING IS THE SOLE PROPERTY OF SPORTSFIELD SPECIALTIES INC. ANY REPRODUCTION IN PART OR AS A WHOLE WITHOUT THE WRITTEN PERMISSION OF SPORTSFIELD SPECIALTIES INC. IS PROHIBITED.

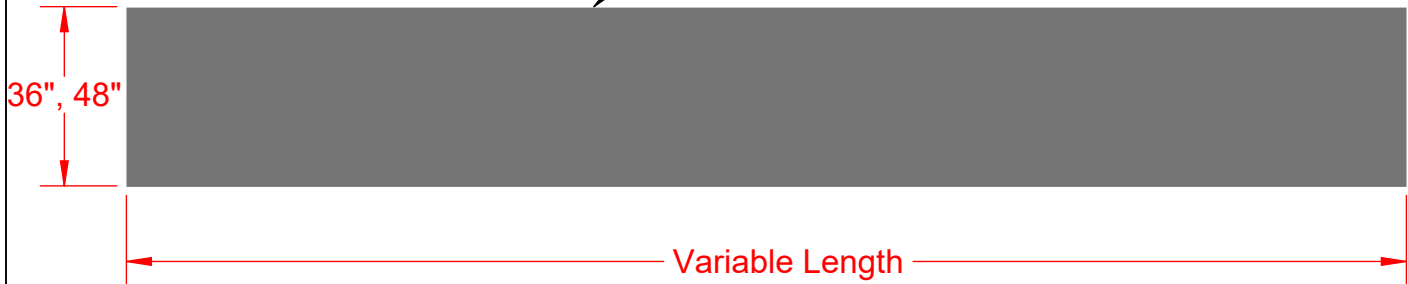
## Weighted Track Crossing Mat

Not To Scale

Sportsfield Specialties Inc 07012021



Resilient Recycled Rubber  
Construction, Color: Black



**STANDARD PART NUMBERS:**

RR1236 - 12MM x 36"W  
RR1248 - 12MM x 48"W  
RR1036 - 10MM x 36"W  
RR1048 - 10MM x 48"W

**PROPRIETARY AND CONFIDENTIAL**

THE INFORMATION CONTAINED IN THIS DRAWING IS THE SOLE PROPERTY OF SPORTSFIELD SPECIALTIES INC. ANY REPRODUCTION IN PART OR AS A WHOLE WITHOUT THE WRITTEN PERMISSION OF SPORTSFIELD SPECIALTIES INC. IS PROHIBITED.

# Rollout Rubber Track Protector

Not To Scale

Sportsfield Specialties Inc 105894.1-230207