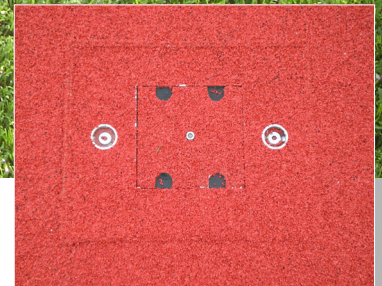




www.sportsfield.com | 888-975-3343

*Excellence from  
Design to Installation*



**ComBox® Electrical / Communications Boxes**



Sportsfield Specialties, Inc. 41155 State Hwy 10. Delhi, NY 13753

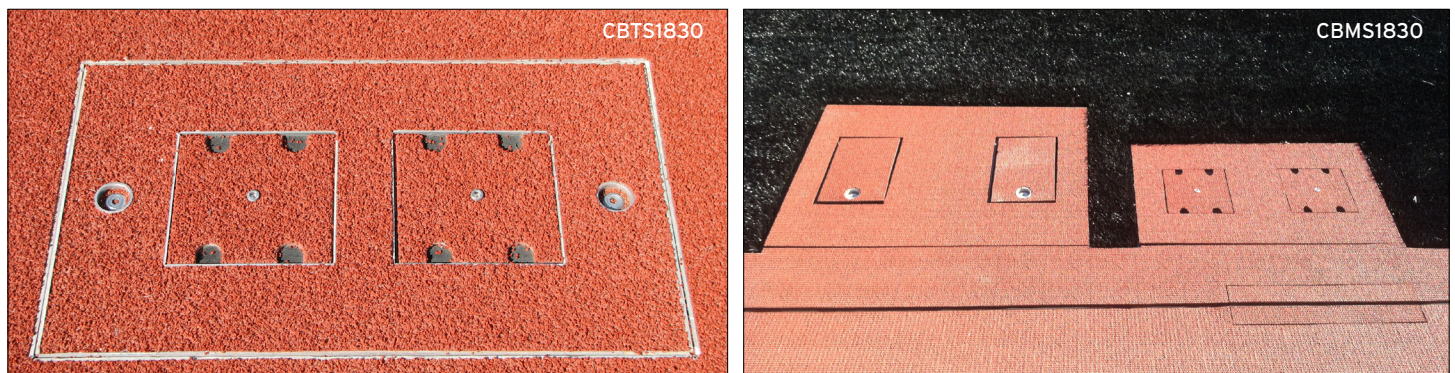
# ComBox® Electrical / Communication Boxes

## Product Overview

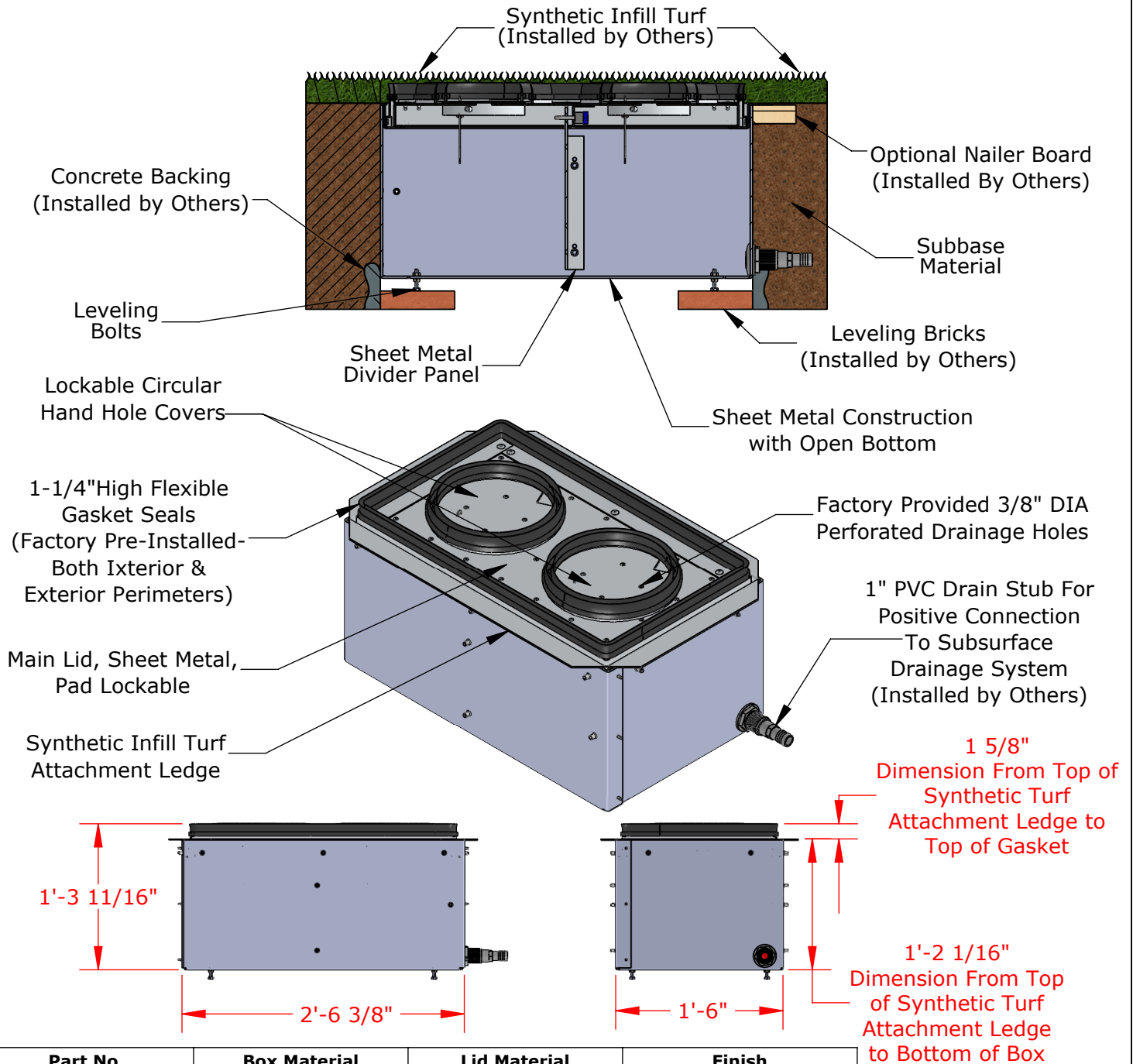
- Addresses safety, aesthetic, and durability concerns associated with plastic utility boxes
- Ideal for projects that call for AC power, lighting, timing, scoreboards, public address, cameras, and communications
- Easy hand-hole access makes it convenient for daily use, repairs, and adjustments
- Lid designs adapts to most athletic field playing surfaces
- Aluminum or heavy duty steel construction with integrated drainage stub
- Synthetic turf models include exclusive infill retainage gasket and perimeter turf attachment ledge
- Custom sizes and designs for available upon request
- U.S. Patents #7,784,636; #8,016,149



Item Number	Product Description
CBTS1830	ComBox® electrical / communication box for poured/paved synthetic track surface
CBTS1815	Half ComBox® electrical / communication box for poured/paved synthetic track surface
CBMS1830	ComBox® electrical / communication box for rolled track mat surface
CBMS1815	Half ComBox® electrical / communication box for rolled track mat surface
CBBM1830	ComBox® electrical / communication box for asphalt or concrete
CBBM1815	Half ComBox® electrical / communication box for asphalt or concrete
CBIT1830	ComBox® electrical / communication box for synthetic infill turf
CBIT1830HD	Heavy Duty ComBox® electrical / communication box for synthetic infill turf
CBIT1815	Half ComBox® electrical / communication box for synthetic infill turf
CBIT1815HD	Heavy Duty Half ComBox® electrical / communication box for synthetic infill turf
CBNG1830	ComBox® electrical / communication box for natural grass
CBNG1830HD	Heavy Duty ComBox® electrical / communication box for natural grass
CBNG1815	Half ComBox® electrical / communication box for natural grass
CBNG1815HD	Heavy Duty Half ComBox® electrical / communication box for natural grass



United States Patent #7,784,636, Issued August 31, 2010  
 United States Patent #8,016,149, Issued September 13, 2011



Part No.	Box Material	Lid Material	Finish
CBIT1830	3/16" Riveted Aluminum	1/8" Aluminum	Mill
CBIT1830HD	7 Ga. Welded Steel	11 Ga. Steel	Powder Coated Black

**PROPRIETARY AND CONFIDENTIAL**

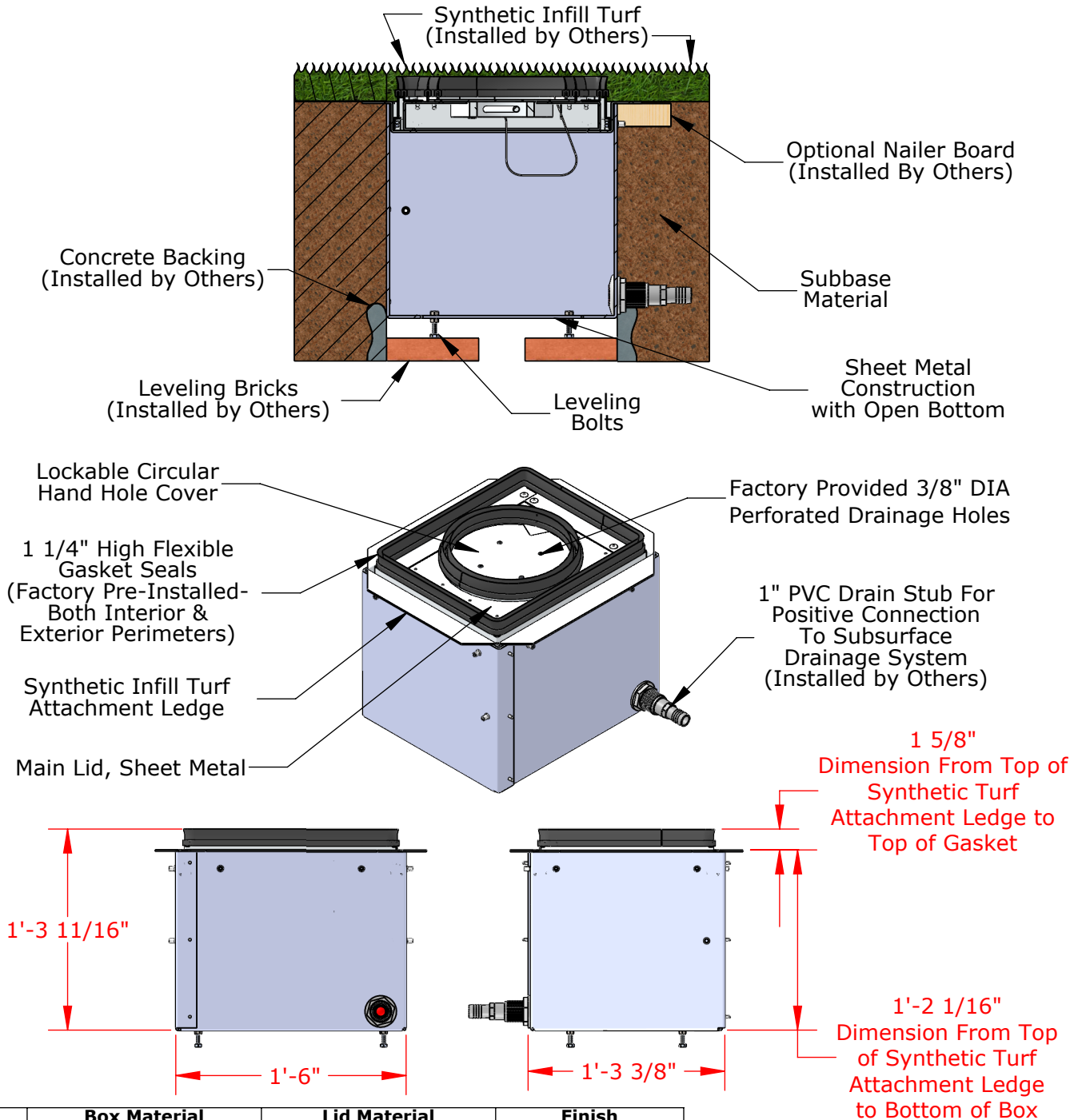
THE INFORMATION CONTAINED IN THIS DRAWING IS THE SOLE PROPERTY OF SPORTSFIELD SPECIALTIES INC. ANY REPRODUCTION IN PART OR AS A WHOLE WITHOUT THE WRITTEN PERMISSION OF SPORTSFIELD SPECIALTIES INC. IS PROHIBITED.

**ComBox® with Infill Retainer  
System for Synthetic Turf Applications**

Not To Scale

Sportsfield Specialties Inc 100212.1-230721

United States Patent #7,784,636, Issued August 31, 2010  
 United States Patent #8,016,149, Issued September 13, 2011



Part No	Box Material	Lid Material	Finish
CBIT1815	3/16" Riveted Aluminum	1/8" Aluminum	Mill
CBIT1815HD	7 Ga. Welded Steel	11 Ga. Steel	Powder Coated Black

**PROPRIETARY AND CONFIDENTIAL**

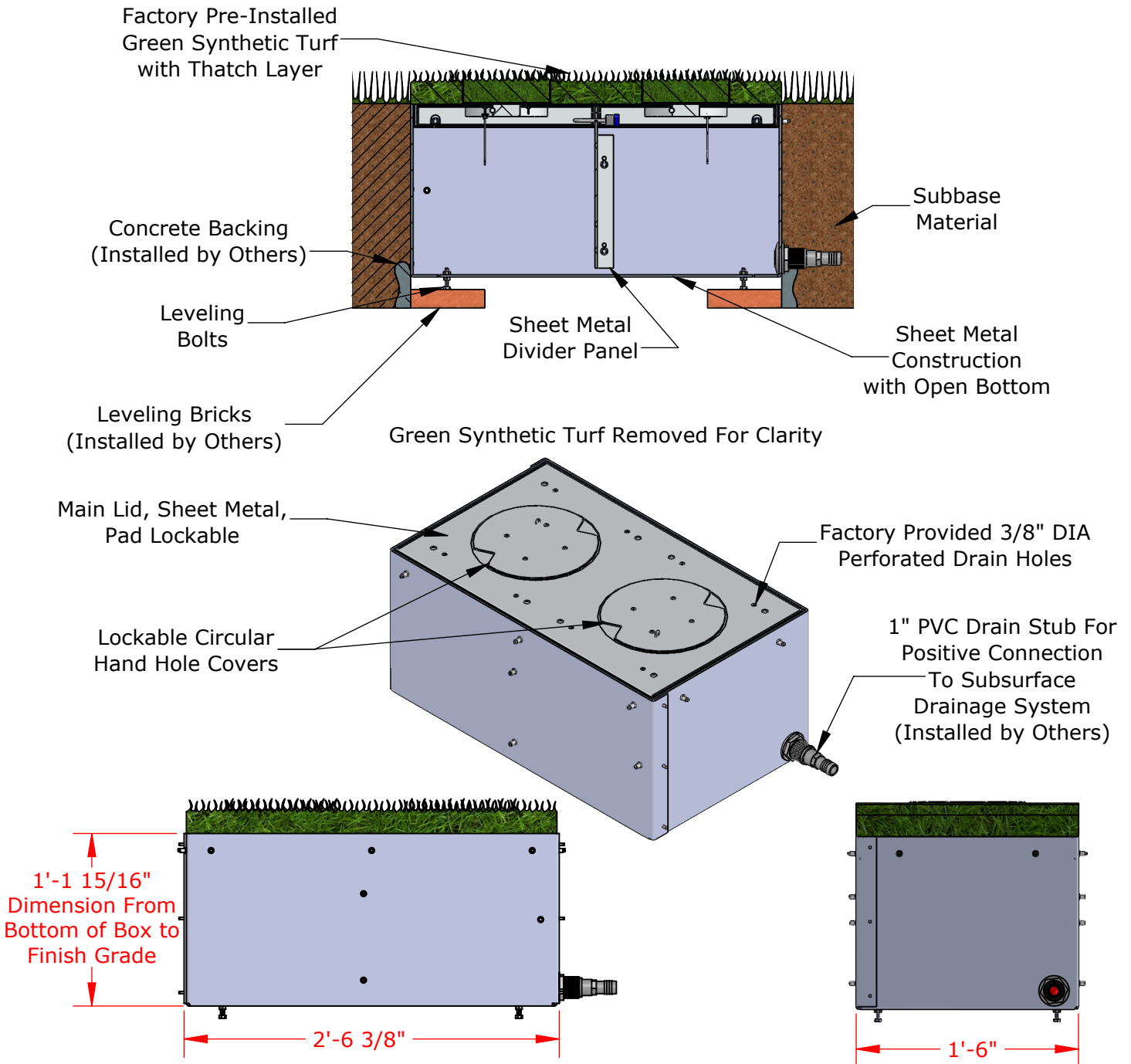
THE INFORMATION CONTAINED IN THIS DRAWING IS THE SOLE PROPERTY OF SPORTSFIELD SPECIALTIES INC. ANY REPRODUCTION IN PART OR AS A WHOLE WITHOUT THE WRITTEN PERMISSION OF SPORTSFIELD SPECIALTIES INC. IS PROHIBITED.

## Half ComBox® with Infill Retainer System for Synthetic Turf Applications

Not To Scale

Sportsfield Specialties Inc 104000.1-230721

United States Patent #8,016,149, Issued September 13, 2011



Part No.	Box Material	Lid Material	Finish
CBNG1830	3/16" Riveted Aluminum	1/8" Aluminum	Mill
CBNG1830HD	7 Ga. Welded Steel	11 Ga. Steel	Powder Coated Black

**PROPRIETARY AND CONFIDENTIAL**

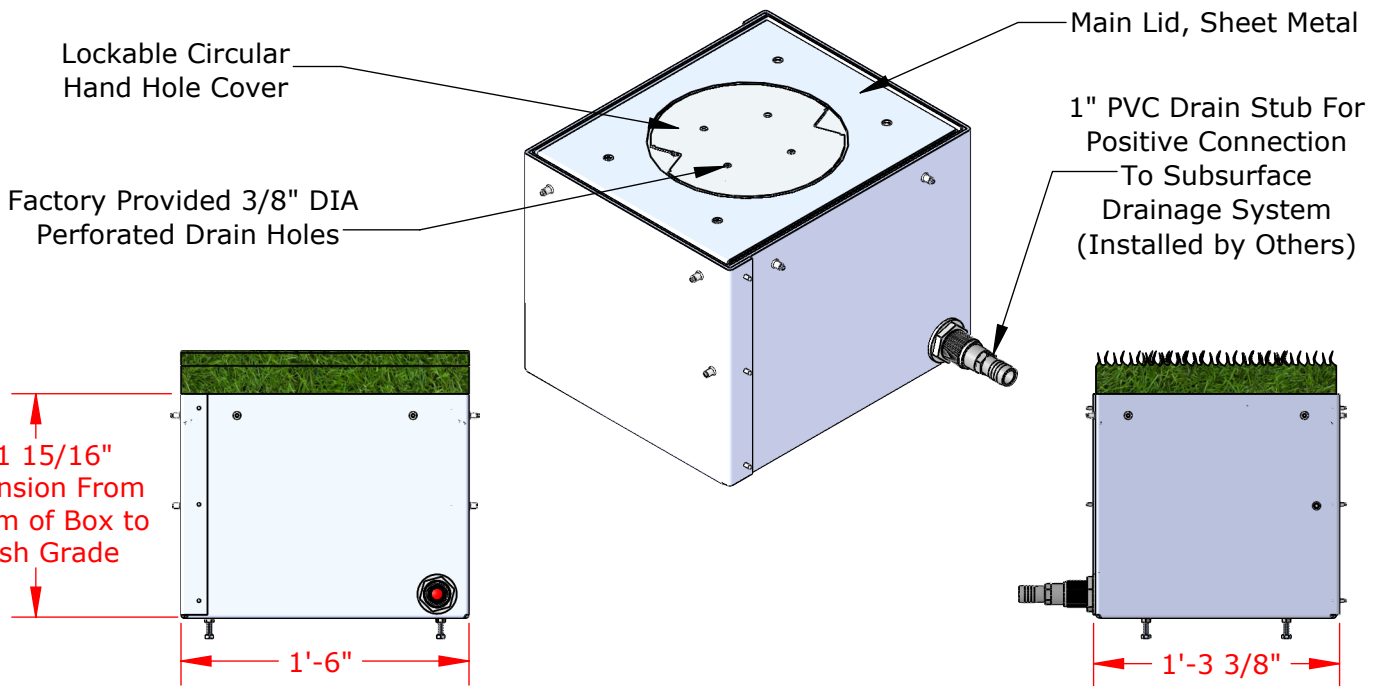
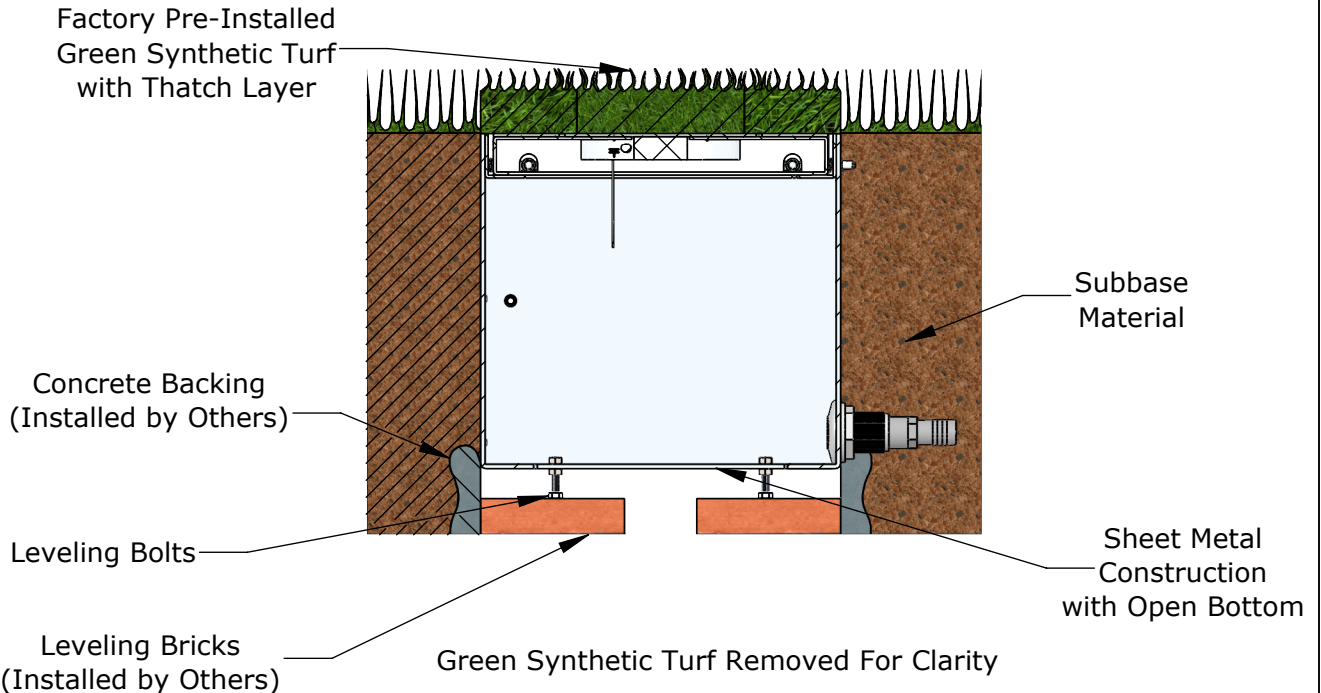
THE INFORMATION CONTAINED IN THIS DRAWING IS THE SOLE PROPERTY OF SPORTSFIELD SPECIALTIES INC. ANY REPRODUCTION IN PART OR AS A WHOLE WITHOUT THE WRITTEN PERMISSION OF SPORTSFIELD SPECIALTIES INC. IS PROHIBITED.

# ComBox® for Natural Grass Applications

Not To Scale

Sportsfield Specialties Inc 103997.1-230721

United States Patent #8,016,149, Issued September 13, 2011



Part No.	Box Material	Lid Material	Finish
CBNG1815	3/16" Riveted Aluminum	1/8" Aluminum	Mill
CBNG1815HD	7 Ga. Welded Steel	11 Ga. Steel	Powder Coated Black

**PROPRIETARY AND CONFIDENTIAL**

THE INFORMATION CONTAINED IN THIS DRAWING IS THE SOLE PROPERTY OF SPORTSFIELD SPECIALTIES INC. ANY REPRODUCTION IN PART OR AS A WHOLE WITHOUT THE WRITTEN PERMISSION OF SPORTSFIELD SPECIALTIES INC. IS PROHIBITED.

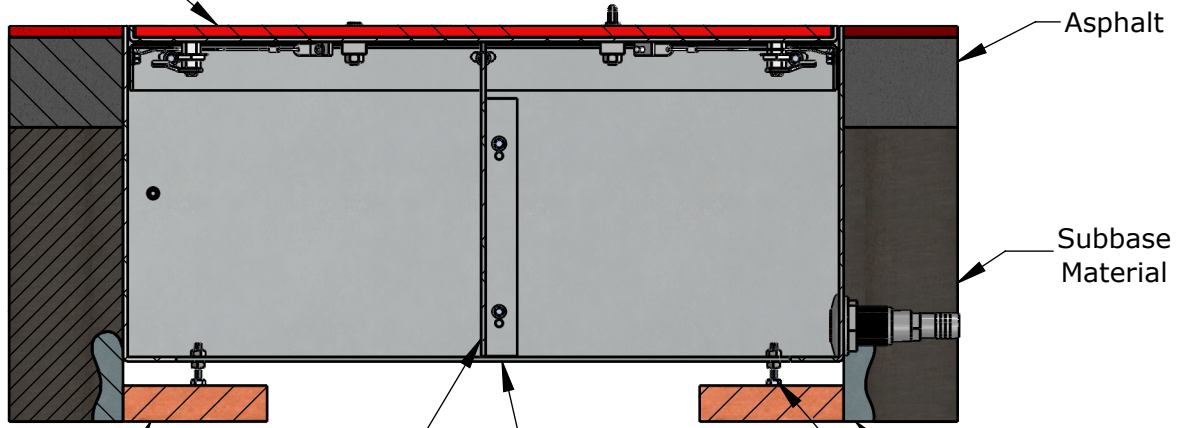
# Half ComBox® for Natural Grass Applications

Not To Scale

Sportsfield Specialties Inc 103994.1-230721

United States Patent #8,016,149, Issued September 13, 2011

Synthetic Track Surface  
 (Installed by Others)



Leveling Bricks  
 (Installed by Others)

Aluminum  
 Divider Panel

3/16" Aluminum  
 Construction with  
 Open Bottom

Asphalt

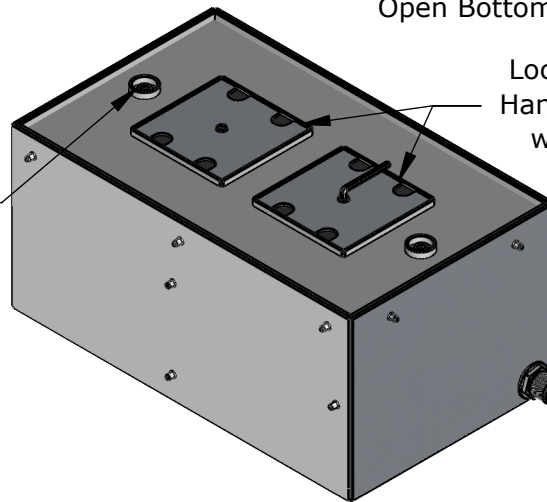
Subbase  
 Material

Concrete  
 Backing

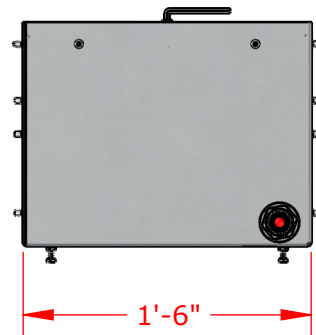
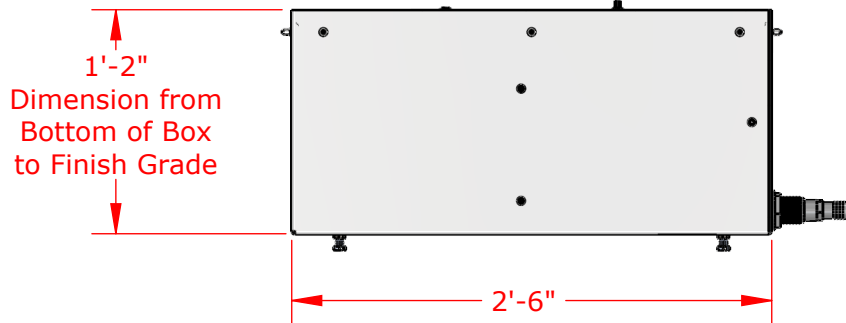
Leveling  
 Bolts

Lockable Square  
 Hand Hole Covers  
 with Hex Key

Lockable Main Aluminum Lid,  
 Recessed to Accept  
 Synthetic Track Surface



1" PVC Drain Stub For  
 Positive Connection  
 To Subsurface  
 Drainage System  
 (Installed by Others)



PROPRIETARY AND CONFIDENTIAL

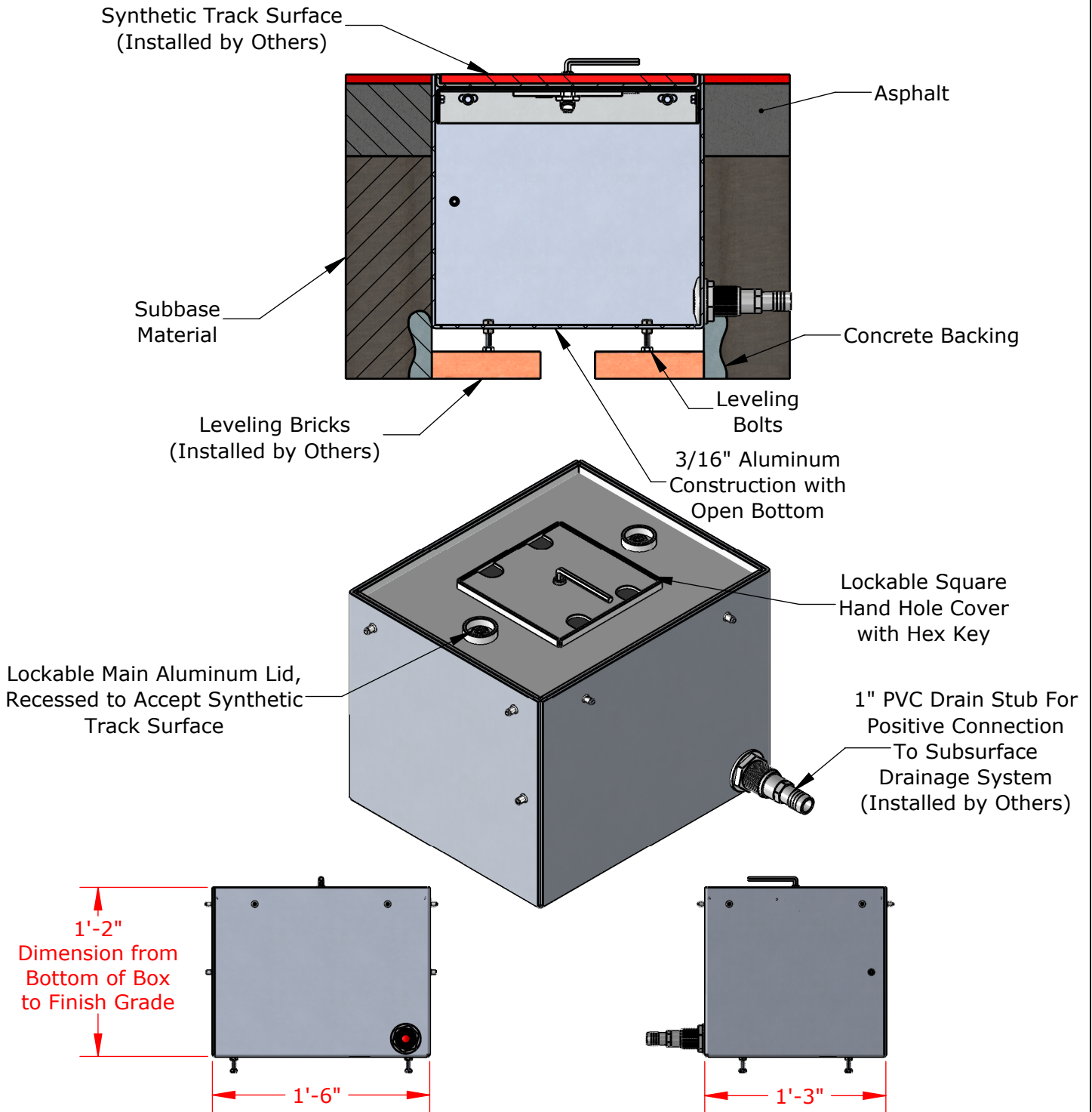
THE INFORMATION CONTAINED IN THIS DRAWING IS THE SOLE PROPERTY OF SPORTSFIELD SPECIALTIES INC. ANY REPRODUCTION IN PART OR AS A WHOLE WITHOUT THE WRITTEN PERMISSION OF SPORTSFIELD SPECIALTIES INC. IS PROHIBITED.

# CBTS1830 ComBox® for Poured/Paved Track Surface Applications

Not To Scale

Sportsfield Specialties Inc 01192021

United States Patent #8,016,149, Issued September 13, 2011



PROPRIETARY AND CONFIDENTIAL

THE INFORMATION CONTAINED IN THIS DRAWING IS THE SOLE PROPERTY OF SPORTSFIELD SPECIALTIES INC. ANY REPRODUCTION IN PART OR AS A WHOLE WITHOUT THE WRITTEN PERMISSION OF SPORTSFIELD SPECIALTIES INC. IS PROHIBITED.

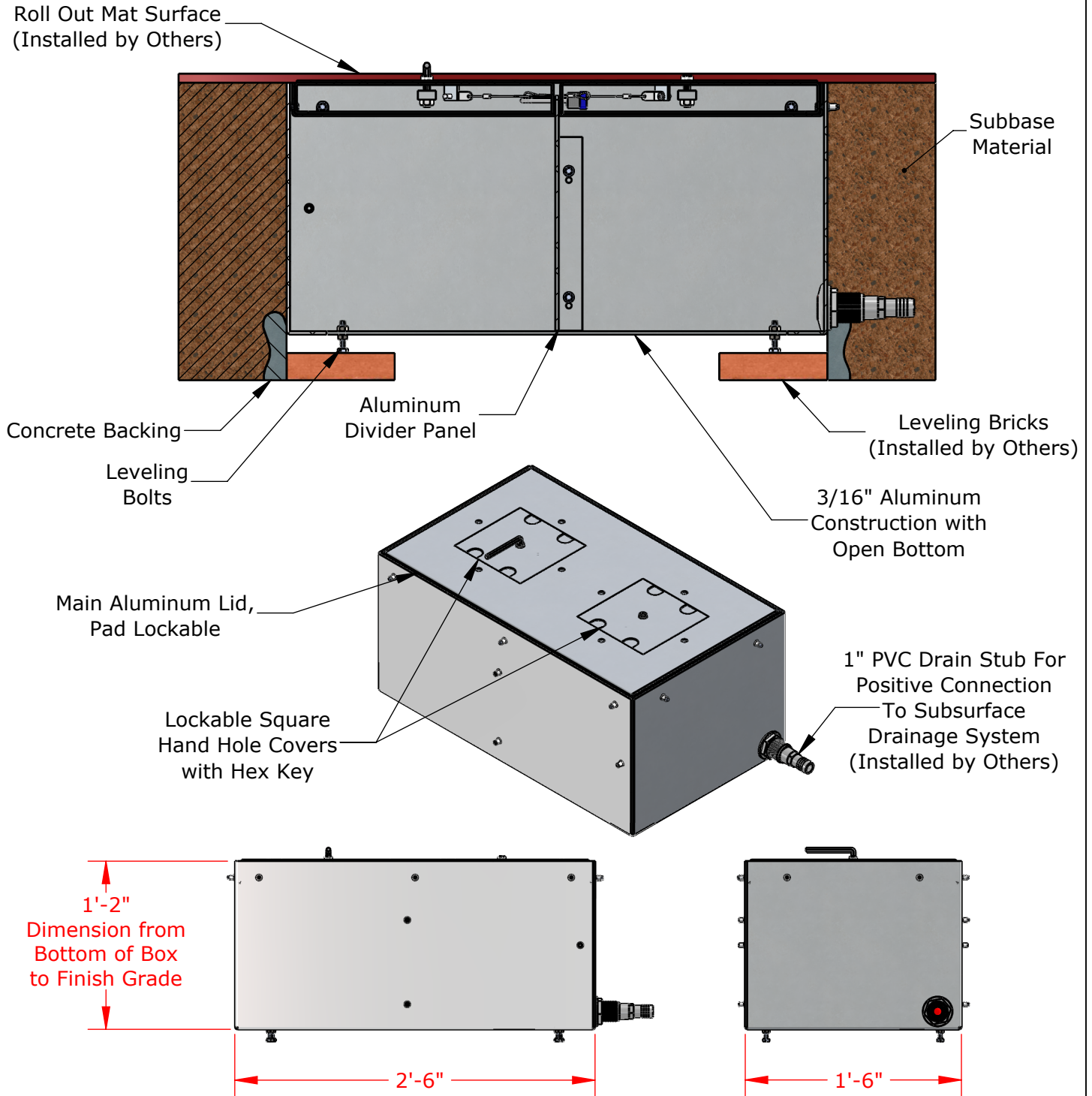
## CBTS1815 Half ComBox® for Poured/Paved Track Surface Applications

Not To Scale

Sportsfield Specialties Inc 01192021



United States Patent #8,016,149, Issued September 13, 2011



**PROPRIETARY AND CONFIDENTIAL**

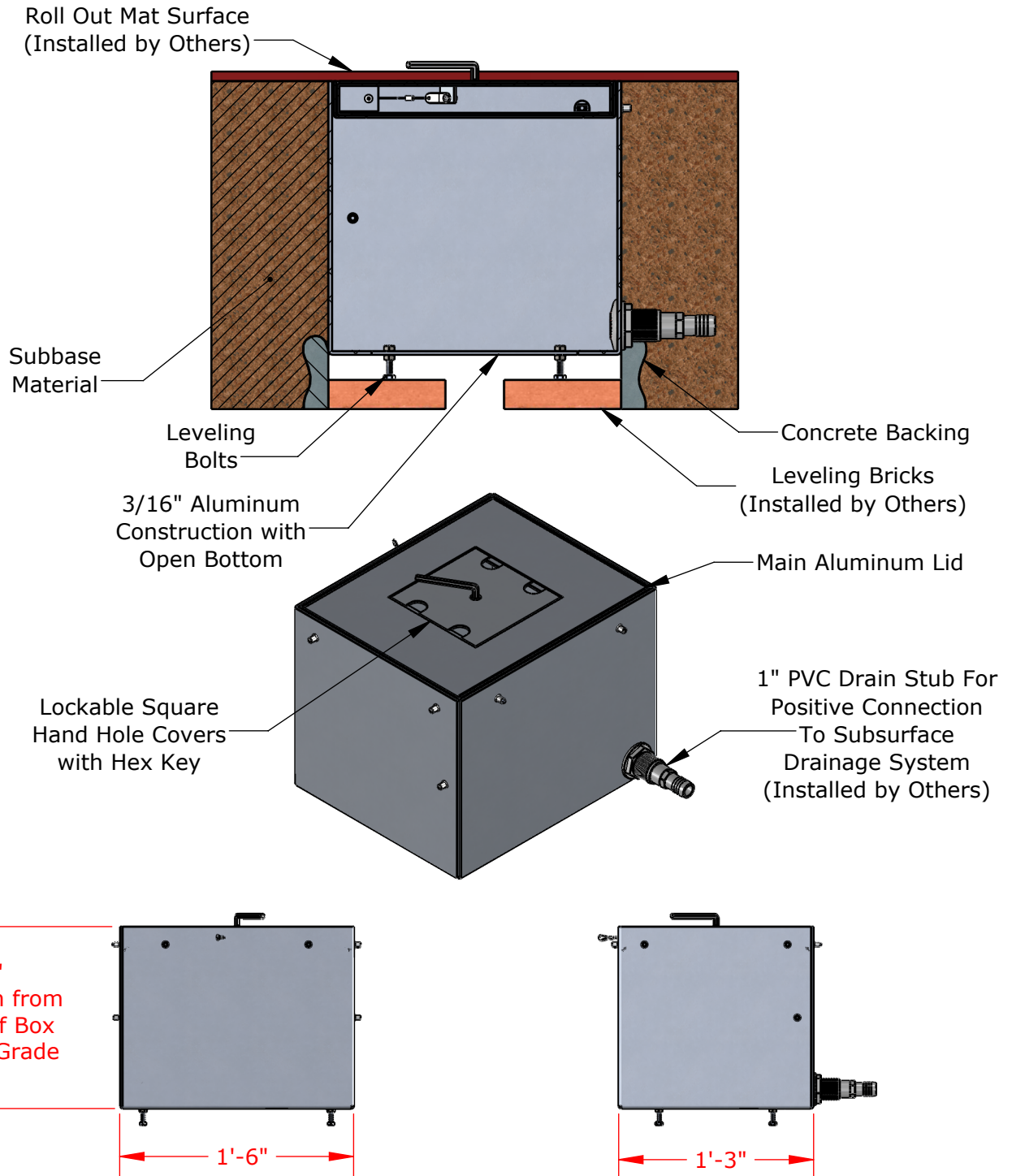
THE INFORMATION CONTAINED IN THIS DRAWING IS THE SOLE PROPERTY OF SPORTSFIELD SPECIALTIES INC. ANY REPRODUCTION IN PART OR AS A WHOLE WITHOUT THE WRITTEN PERMISSION OF SPORTSFIELD SPECIALTIES INC. IS PROHIBITED.

**CBMS1830 ComBox® for Mat Surface Applications**

Not To Scale

Sportsfield Specialties Inc 01182021

United States Patent #8,016,149, Issued September 13, 2011



**PROPRIETARY AND CONFIDENTIAL**

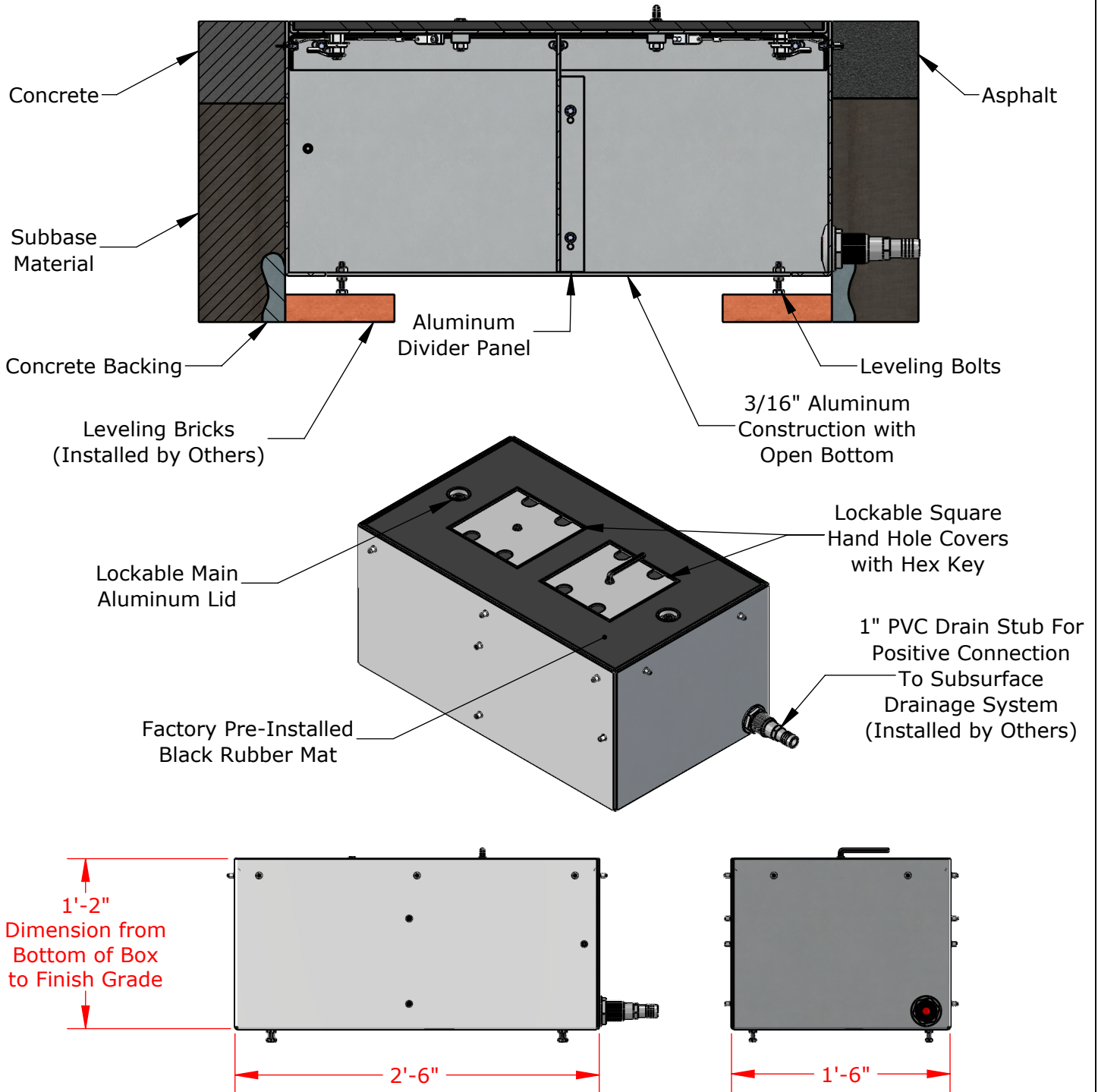
THE INFORMATION CONTAINED IN THIS DRAWING IS THE SOLE PROPERTY OF SPORTSFIELD SPECIALTIES INC. ANY REPRODUCTION IN PART OR AS A WHOLE WITHOUT THE WRITTEN PERMISSION OF SPORTSFIELD SPECIALTIES INC. IS PROHIBITED.

# CBMS1815 Half ComBox® for Mat Surface Applications

Not To Scale

Sportsfield Specialties Inc 01192021

United States Patent #8,016,149, Issued September 13, 2011



**PROPRIETARY AND CONFIDENTIAL**

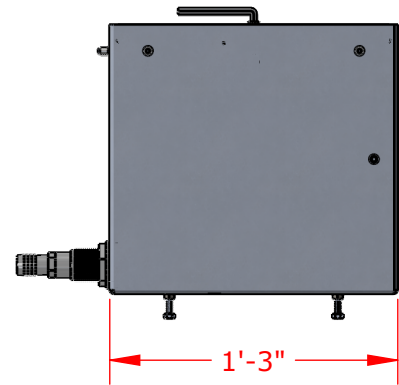
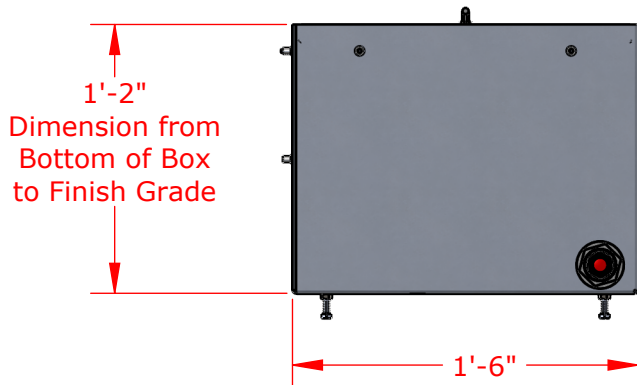
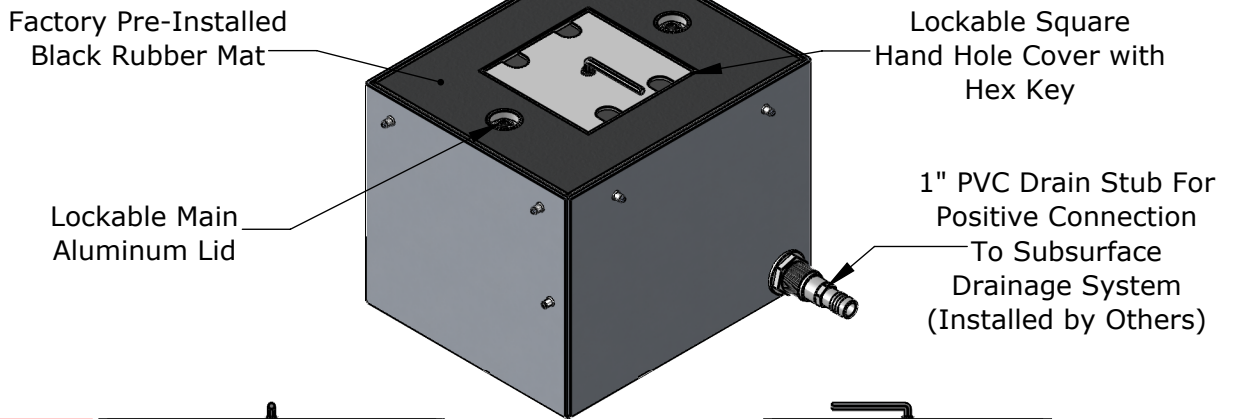
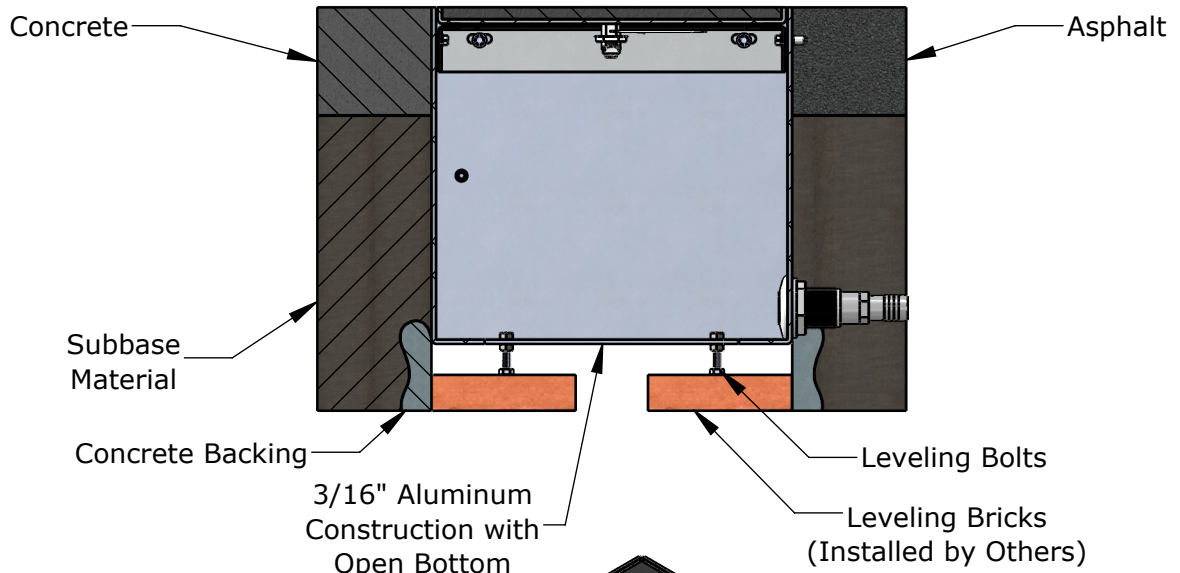
THE INFORMATION CONTAINED IN THIS DRAWING IS THE SOLE PROPERTY OF SPORTSFIELD SPECIALTIES INC. ANY REPRODUCTION IN PART OR AS A WHOLE WITHOUT THE WRITTEN PERMISSION OF SPORTSFIELD SPECIALTIES INC. IS PROHIBITED.

**CBBM1830 ComBox® with Black Mat for Concrete/Asphalt Applications**

Not To Scale

Sportsfield Specialties Inc 01182020

United States Patent #8,016,149, Issued September 13, 2011



**PROPRIETARY AND CONFIDENTIAL**

THE INFORMATION CONTAINED IN THIS DRAWING IS THE SOLE PROPERTY OF SPORTSFIELD SPECIALTIES INC. ANY REPRODUCTION IN PART OR AS A WHOLE WITHOUT THE WRITTEN PERMISSION OF SPORTSFIELD SPECIALTIES INC. IS PROHIBITED.

## CBBM1815 Half ComBox® with Black Mat for Concrete/Asphalt Applications

Not To Scale

Sportsfield Specialties Inc 01182021

# SPORTSFIELD SPECIALTIES

www.sportsfield.com | 888-975-3343

*Excellence from  
Design to Installation*



**TurfCool® Irrigation Boxes**



Sportsfield Specialties, Inc. 41155 State Hwy 10. Delhi, NY 13753

# TurfCool® Irrigation Boxes

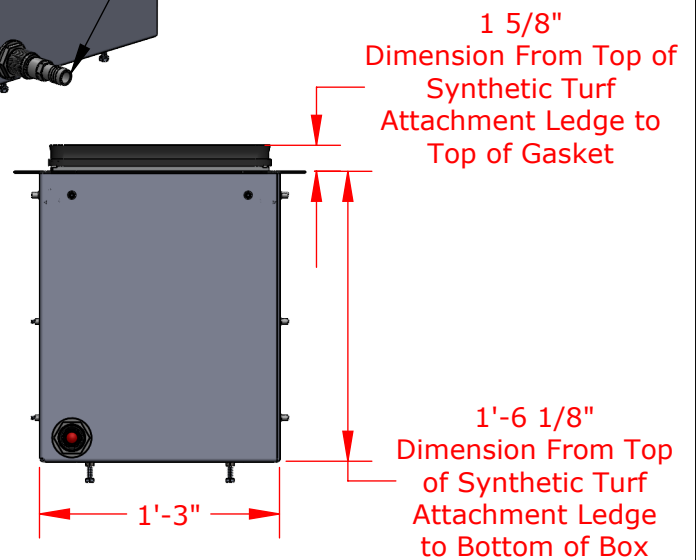
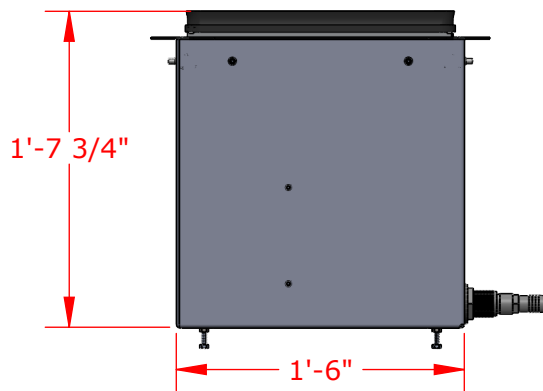
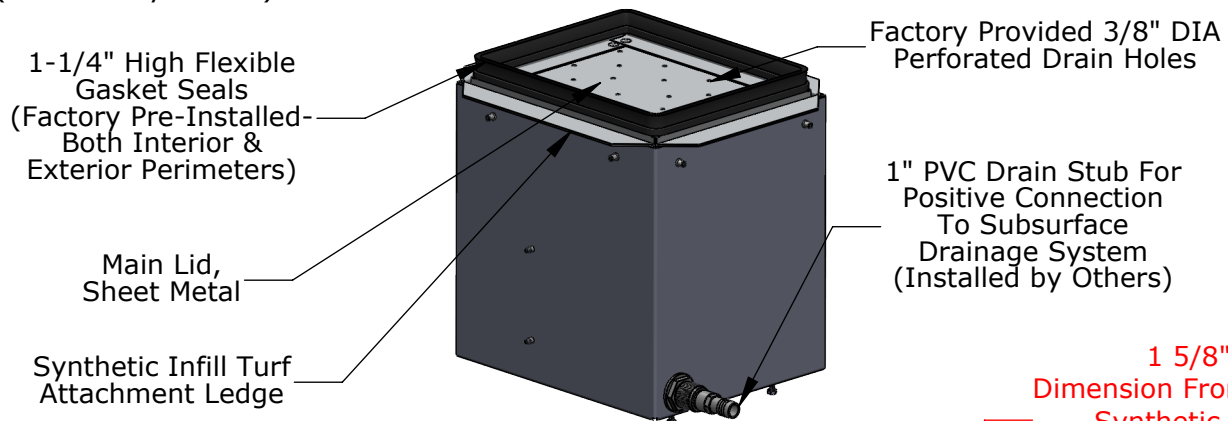
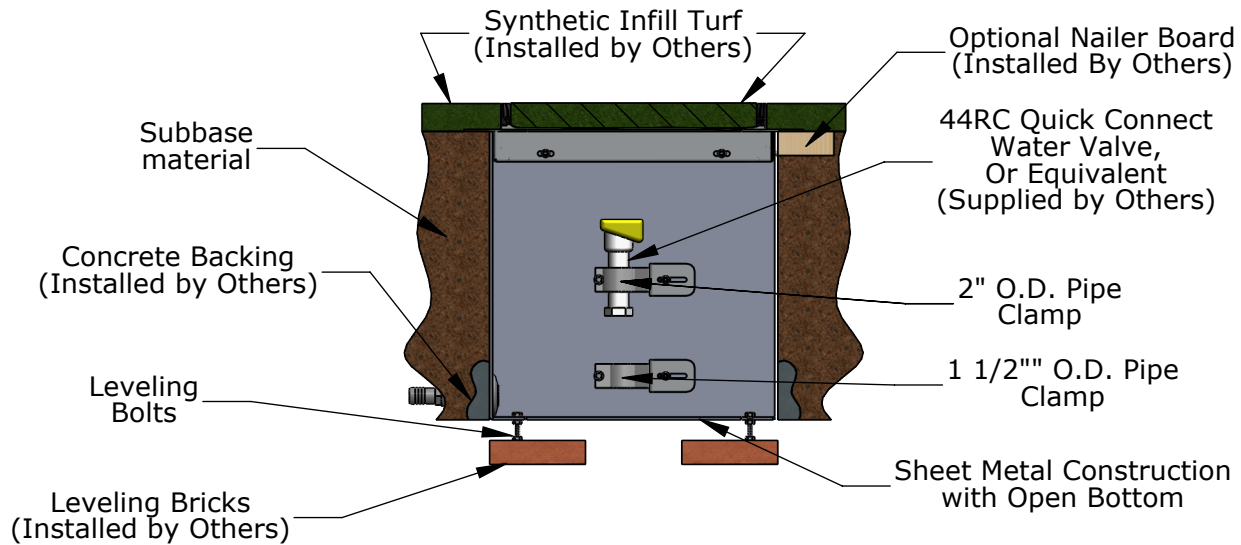
## Product Overview

- Addresses safety and aesthetic concerns associated with plastic utility boxes
- Designed to fit specific manufacturer irrigation, rotary sprinkler and/or valve systems
- Easy access makes it convenient for daily use, repairs, and adjustments
- Adapts to most athletic field playing surfaces
- Aluminum construction with integrated drainage stub where applicable
- Synthetic turf models include exclusive infill retainage gasket and perimeter turf attachment ledge
- Custom sizes and designs available upon request

Item Number	Product Description
TCITQCV	Quick connect water valve box, synthetic infill turf
TCNGQCV	Quick connect water valve box, natural grass
TCTSQC	Quick connect water valve box, synthetic infill track surface
TCBMQCV	Quick connect water valve box, concrete or asphalt
TCITHRSR	Self-retractable hose reel box, synthetic infill turf
TCNGHRSR	Self-retractable hose reel box, natural grass
TCTSHRSR	Self-retractable hose reel box, synthetic track surface
TCBMHRSR	Self-retractable hose reel box, concrete or asphalt
TCITTS170V	Toro® TS170 series sprinkler box, synthetic infill turf
TCITTS120V	Toro® TS120 series sprinkler box, synthetic infill turf

## Excellence from Design to Installation





Part No.	Box Material	Lid Material	Finish
TCITQCV	3/16" Riveted Aluminum	1/8" Aluminum	Mill
TCITQCVHD	7 Ga. Steel	11 Ga. Steel	Powder Coated Black

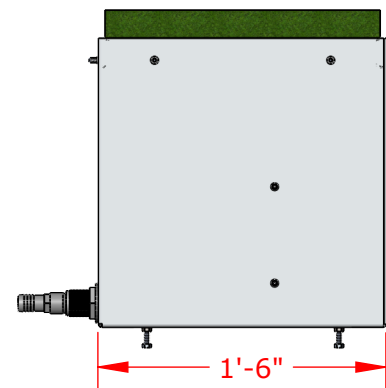
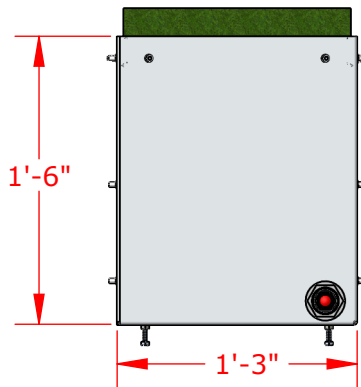
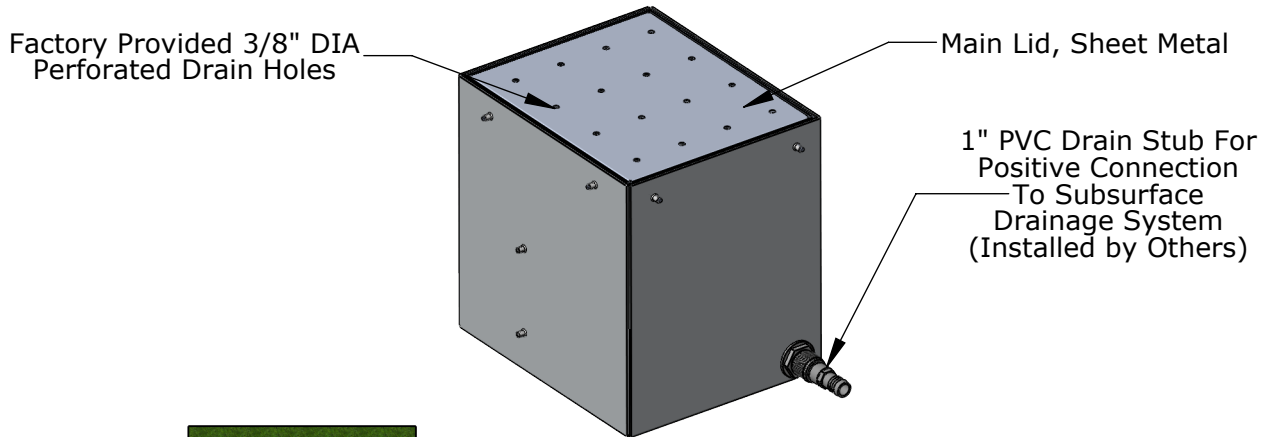
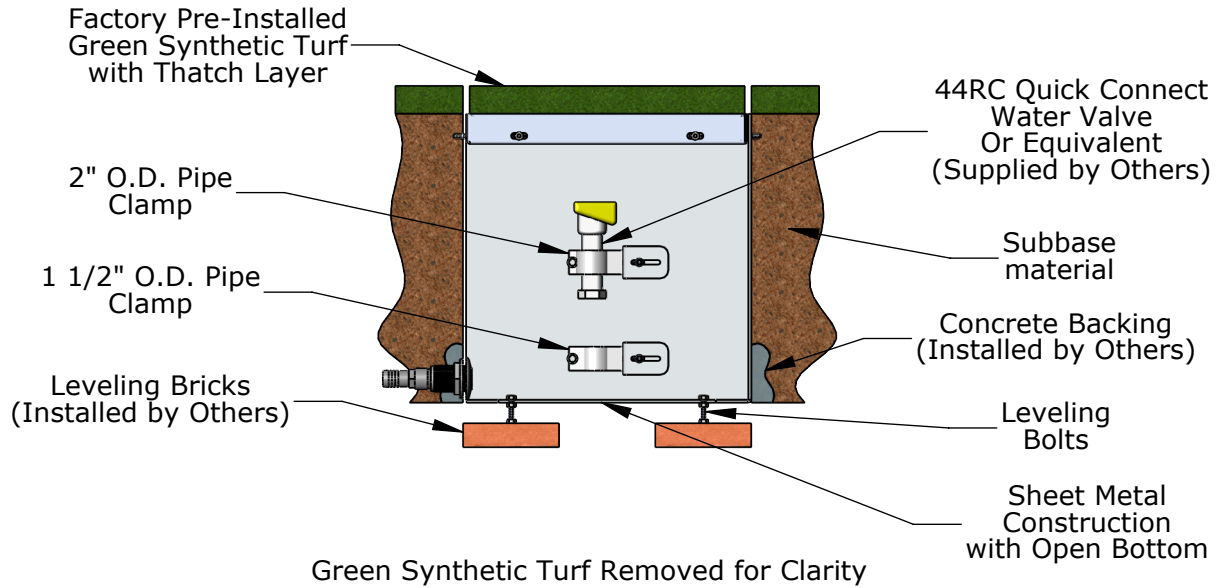
**PROPRIETARY AND CONFIDENTIAL**

THE INFORMATION CONTAINED IN THIS DRAWING IS THE SOLE PROPERTY OF SPORTSFIELD SPECIALTIES INC. ANY REPRODUCTION IN PART OR AS A WHOLE WITHOUT THE WRITTEN PERMISSION OF SPORTSFIELD SPECIALTIES INC. IS PROHIBITED.

**TurfCool® Quick Connect Valve Box with Infill Retainer System for Synthetic Turf Applications**

Not To Scale

Sportsfield Specialties Inc 104158.1-230809



Part No.	Box Material	Lid Material	Finish
TCNGQCV	3/16" Riveted Aluminum	1/8" Aluminum	Mill
TCNGQCVHD	7 Ga. Welded Steel	11 Ga. Steel	Powder Coated Black

**PROPRIETARY AND CONFIDENTIAL**

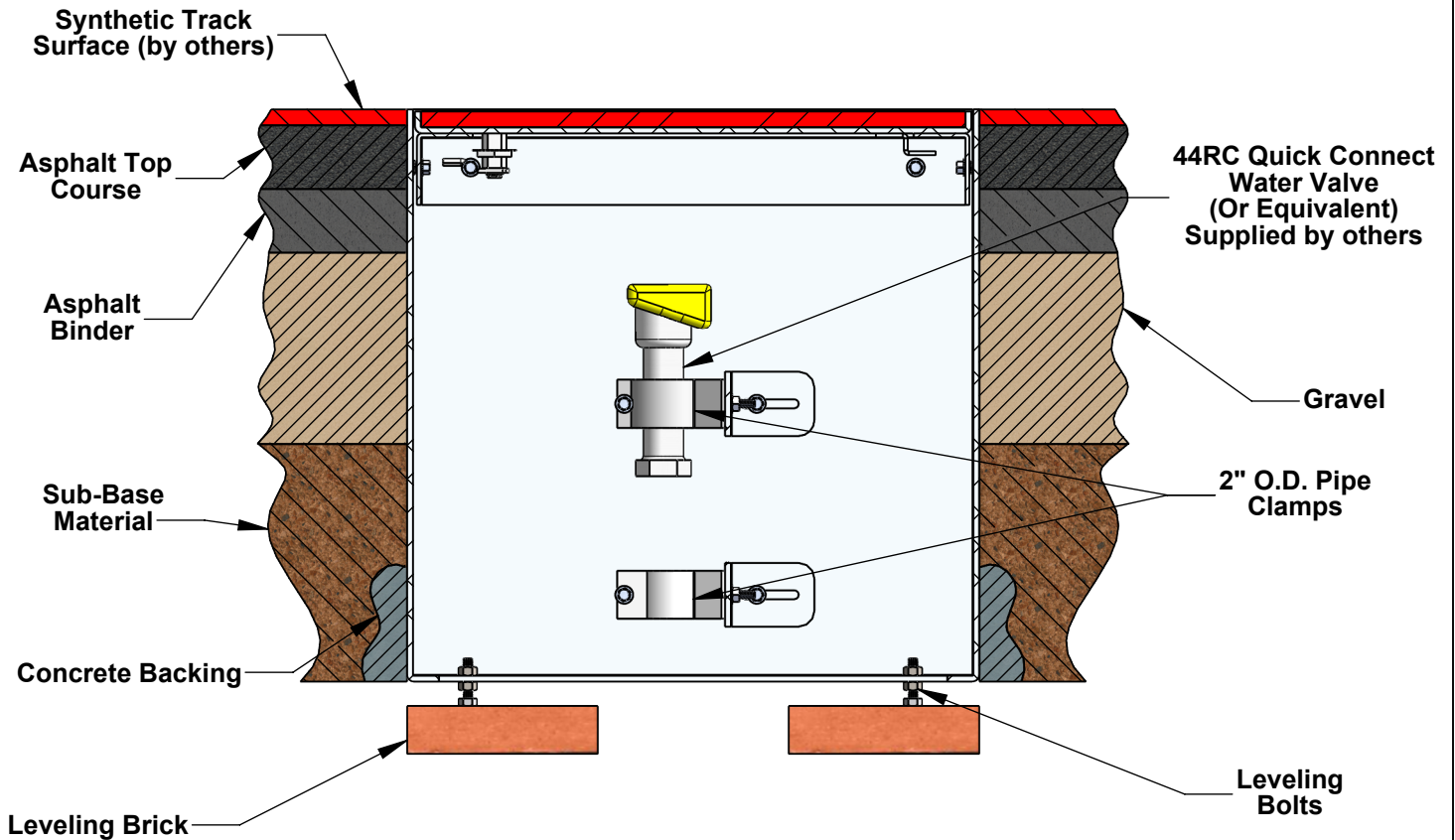
THE INFORMATION CONTAINED IN THIS DRAWING IS THE SOLE PROPERTY OF SPORTSFIELD SPECIALTIES INC. ANY REPRODUCTION IN PART OR AS A WHOLE WITHOUT THE WRITTEN PERMISSION OF SPORTSFIELD SPECIALTIES INC. IS PROHIBITED.

# TurfCool® Quick Connect Valve Box for Natural Grass Applications

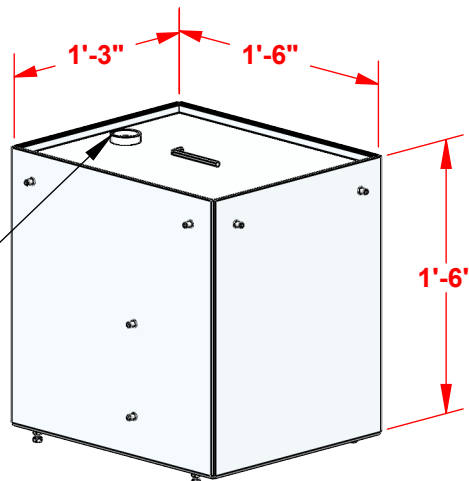
Not To Scale

Sportsfield Specialties Inc 104159.1-230809





Hex Key Latch provides lid with semi-locking capability (Hex Key supplied)



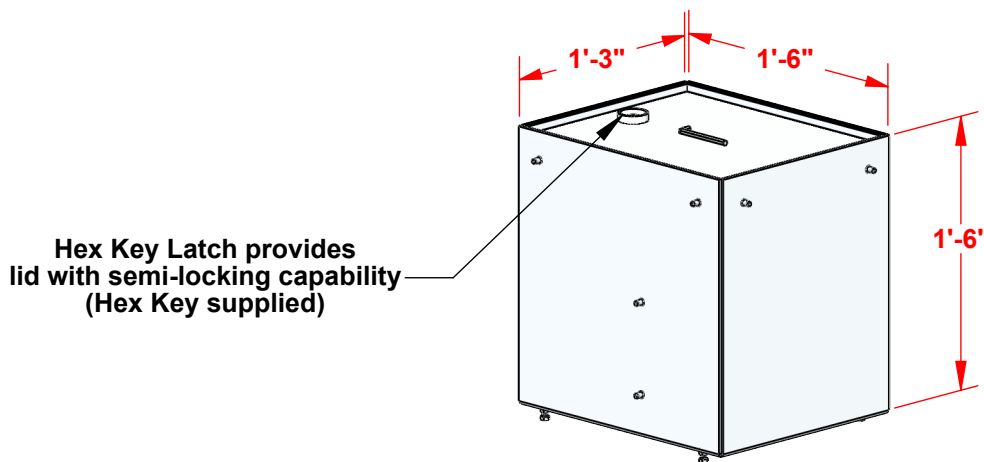
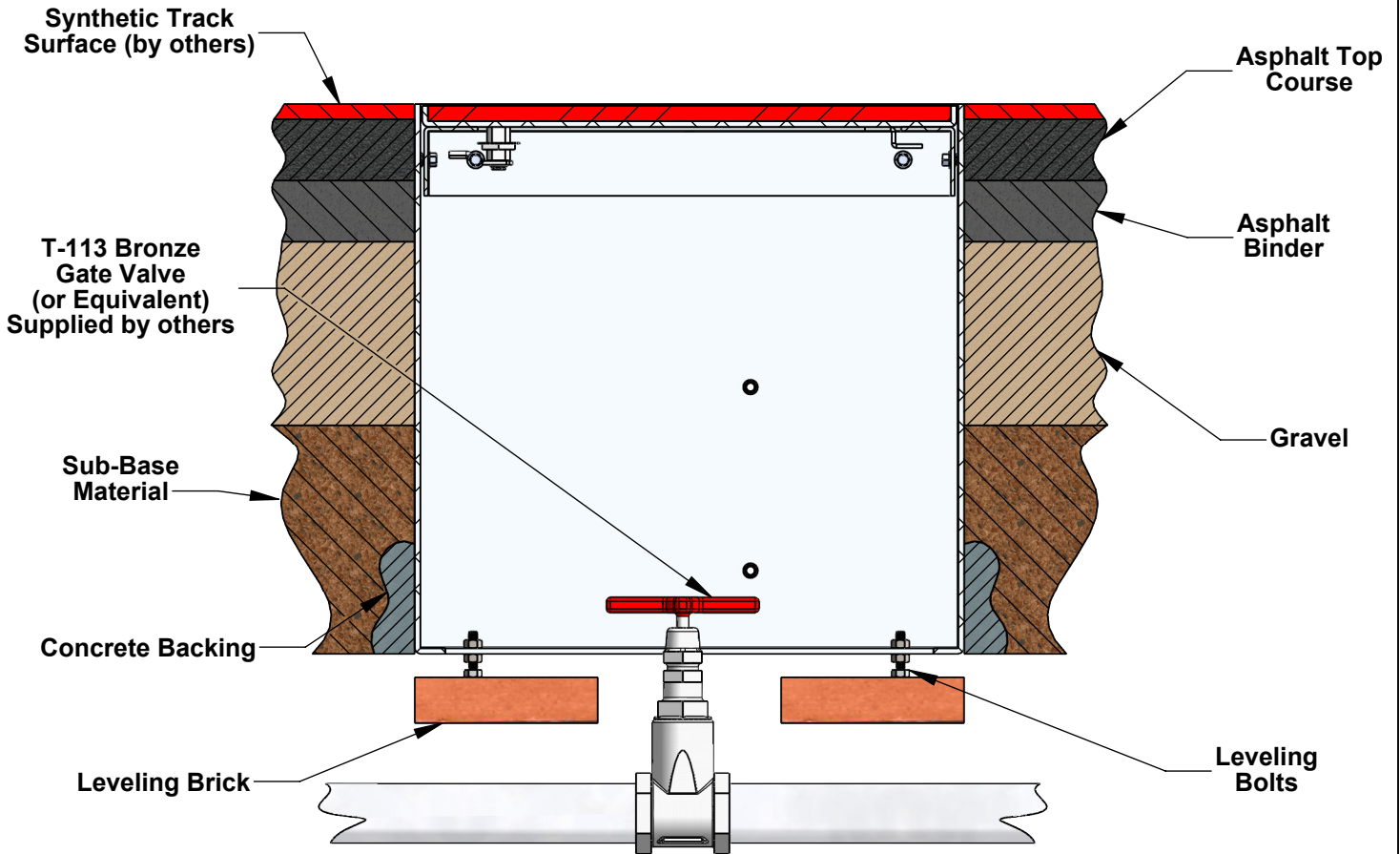
**PROPRIETARY AND CONFIDENTIAL**

THE INFORMATION CONTAINED IN THIS DRAWING IS THE SOLE PROPERTY OF SPORTSFIELD SPECIALTIES INC. ANY REPRODUCTION IN PART OR AS A WHOLE WITHOUT THE WRITTEN PERMISSION OF SPORTSFIELD SPECIALTIES INC. IS PROHIBITED.

**TCTSQCVCV - TurfCool® Quick Connect Valve Box Synthetic Track Version**

Not To Scale

Sportsfield Specialties Inc 105909.1-221229



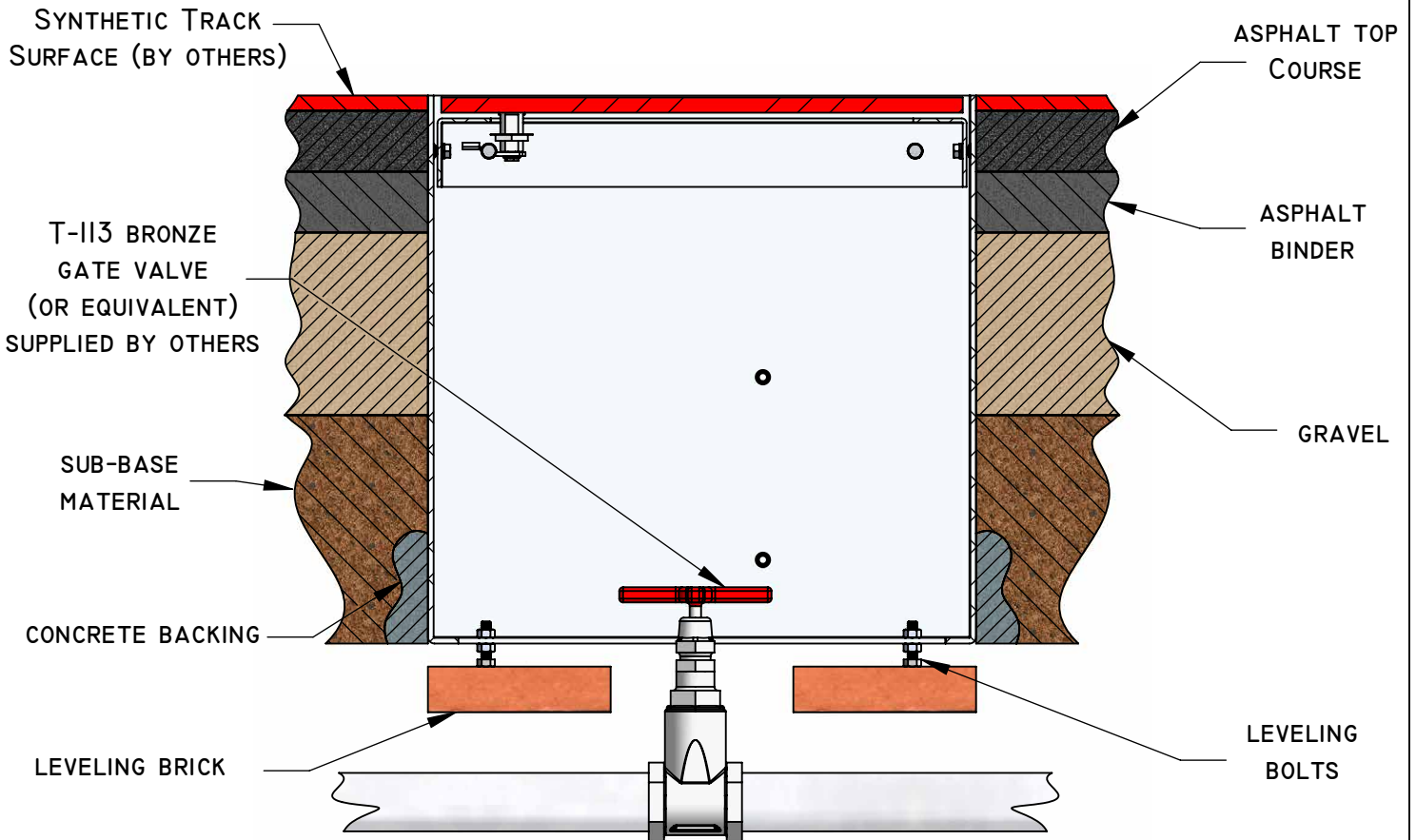
**PROPRIETARY AND CONFIDENTIAL**

THE INFORMATION CONTAINED IN THIS DRAWING IS THE SOLE PROPERTY OF SPORTSFIELD SPECIALTIES INC. ANY REPRODUCTION IN PART OR AS A WHOLE WITHOUT THE WRITTEN PERMISSION OF SPORTSFIELD SPECIALTIES INC. IS PROHIBITED.

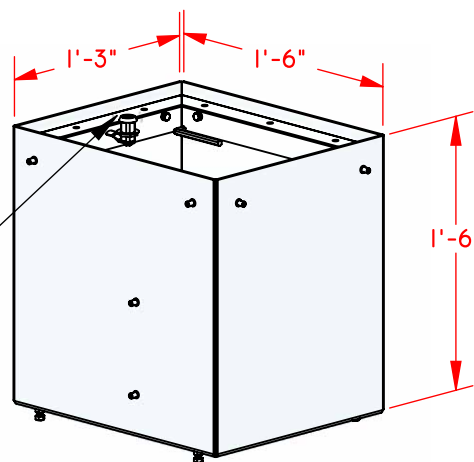
# TCTSQC - TurfCool® Gate Valve Box Synthetic Track Version

Not To Scale

Sportsfield Specialties Inc 105909.1-221229



HEX KEY LATCH PROVIDES LID WITH SEMI-LOCKING CAPABILITY (HEX KEY SUPPLIED)

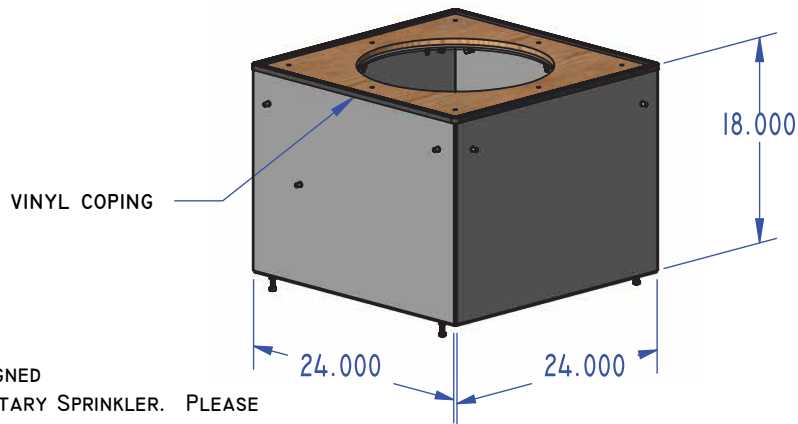
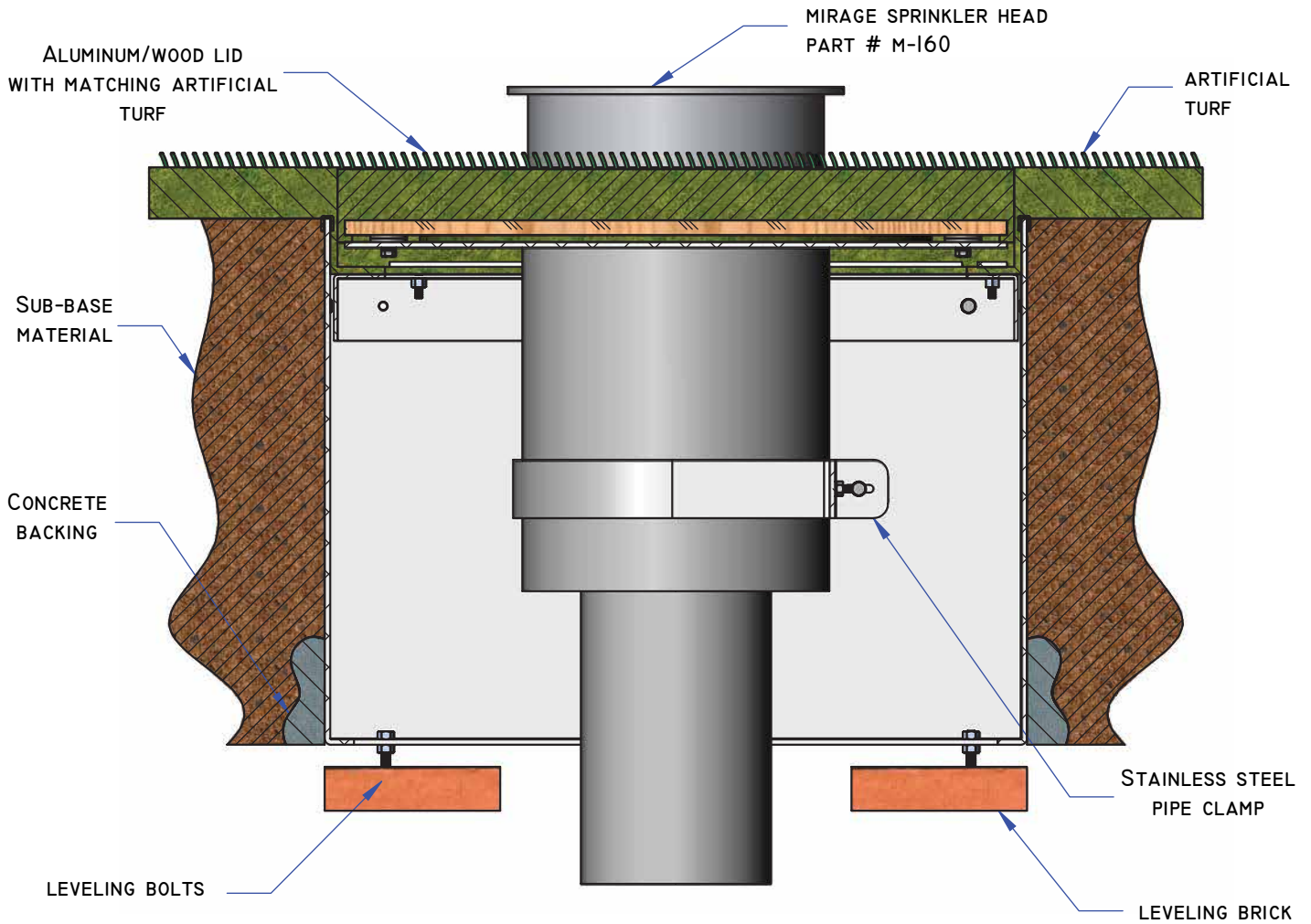


**PROPRIETARY AND CONFIDENTIAL**  
THE INFORMATION CONTAINED IN THIS DRAWING IS THE SOLE PROPERTY OF SPORTSFIELD SPECIALTIES INC. ANY REPRODUCTION IN PART OR AS A WHOLE WITHOUT THE WRITTEN PERMISSION OF SPORTSFIELD SPECIALTIES INC. IS PROHIBITED.

**TCTSQCV (TC-3700-QCV-TS)  
TURFCOOL® GATE VALVE BOX SYNTHETIC TRACK VERSION**

NOT TO SCALE

SPORTSFIELD SPECIALTIES INC 12192016



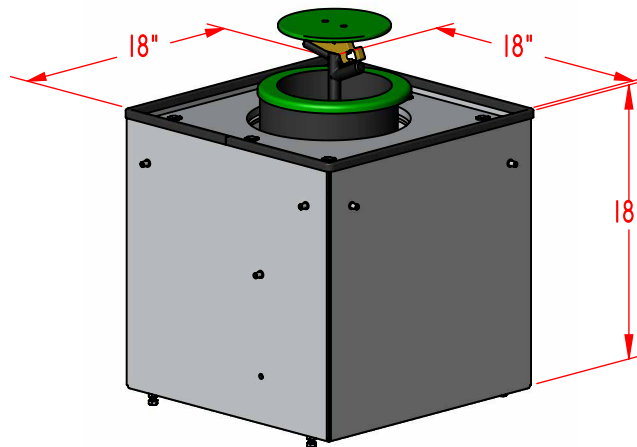
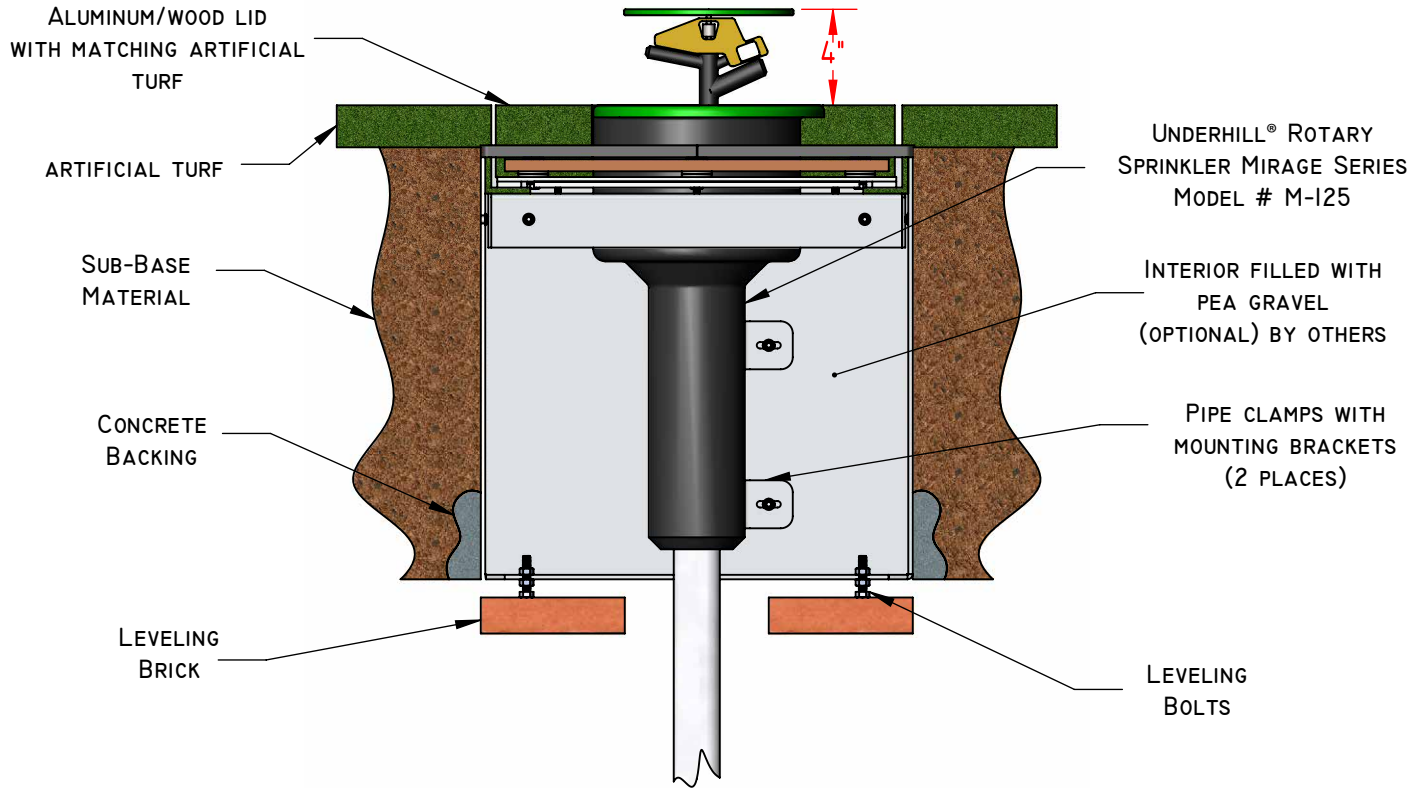
**NOTE:**  
 TCITMI60 IS SPECIFICALLY DESIGNED FOR A MIRAGE M-160 SERIES ROTARY SPRINKLER. PLEASE CALL OUR SALES ASSOCIATES FOR DETAILS IF YOUR FIELD DESIGN SPECIFICATIONS REQUIRE CUSTOM ROTARY SPRINKLERS.

**PROPRIETARY AND CONFIDENTIAL**  
 THE INFORMATION CONTAINED IN THIS DRAWING IS THE SOLE PROPERTY OF SPORTSFIELD SPECIALTIES INC. ANY REPRODUCTION IN PART OR AS A WHOLE WITHOUT THE WRITTEN PERMISSION OF SPORTSFIELD SPECIALTIES INC. IS PROHIBITED.

**TCITMI60**  
**TURFCOOL® ROTARY SPRINKLER BOX**

NOT TO SCALE

SPORTSFIELD SPECIALTIES INC 07062012



**NOTE:**

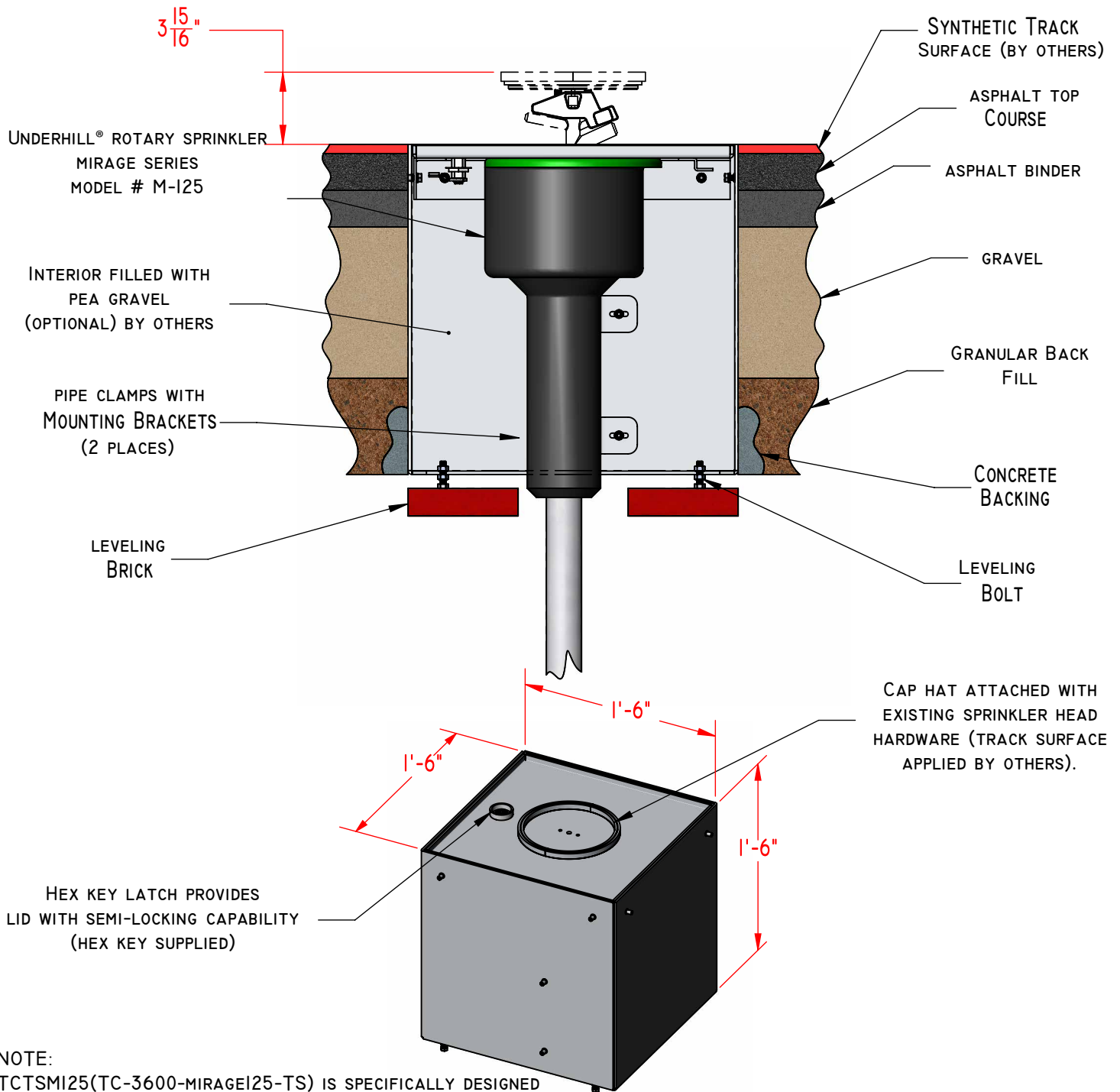
TCITMI25 (TC-3600-MIRAGEI25) IS SPECIFICALLY DESIGNED FOR A MIRAGE M-125 SERIES ROTARY SPRINKLER. PLEASE CALL OUR SALES ASSOCIATES FOR DETAILS IF YOUR FIELD DESIGN SPECIFICATIONS REQUIRE CUSTOM ROTARY SPRINKLERS.

PROPRIETARY AND CONFIDENTIAL  
THE INFORMATION CONTAINED IN THIS  
DRAWING IS THE SOLE PROPERTY OF  
SPORTSFIELD SPECIALTIES INC. ANY  
REPRODUCTION IN PART OR AS A WHOLE  
WITHOUT THE WRITTEN PERMISSION OF  
SPORTSFIELD SPECIALTIES INC. IS  
PROHIBITED.

NOT TO SCALE

**TCITMI25 (TC-3600-MIRAGEI25)  
TURFCOOL® ROTARY SPRINKLER BOX**

SPORTSFIELD SPECIALTIES INC 12I92016



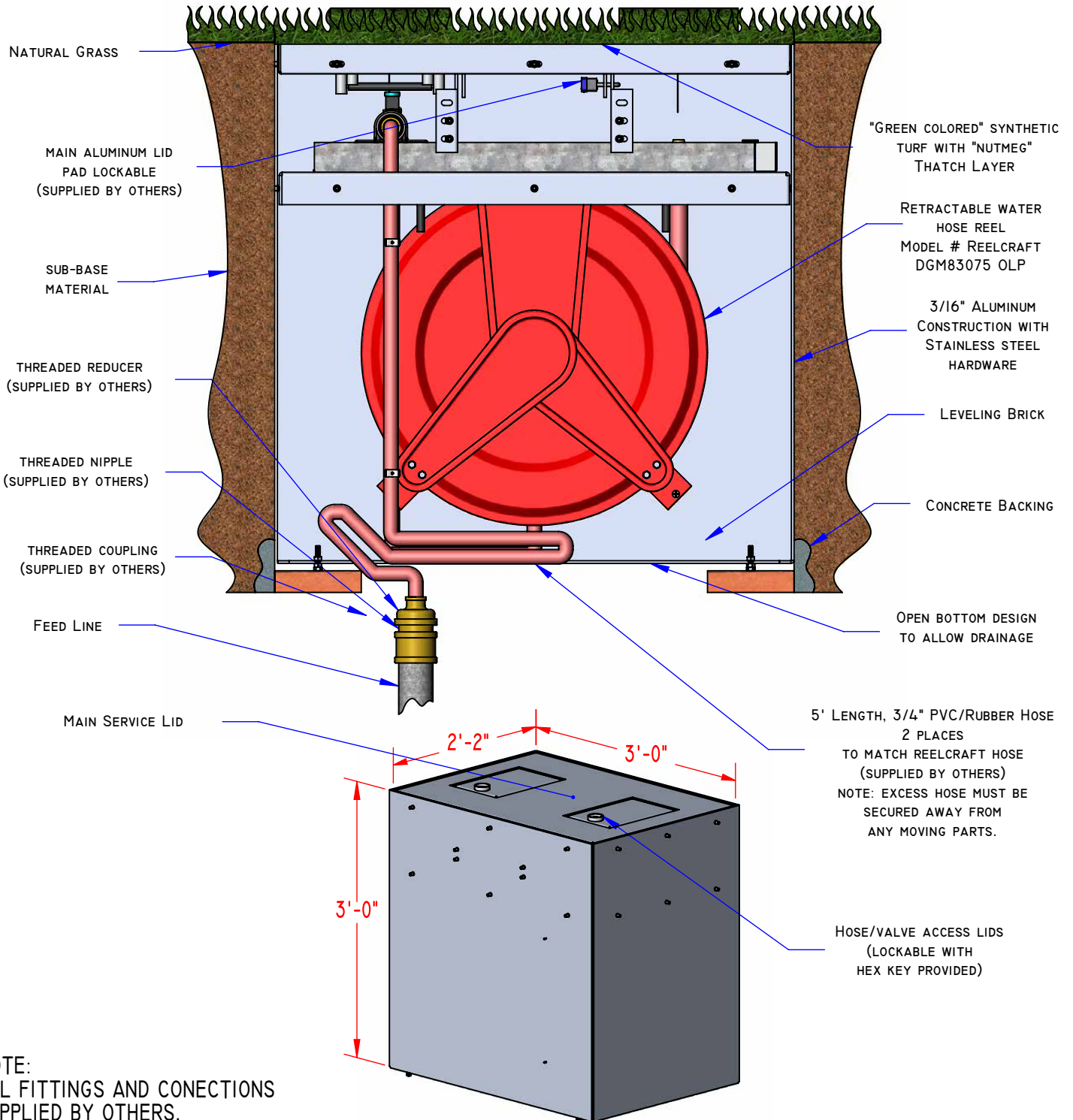
**NOTE:**  
TCTSMI25(TC-3600-MIRAGEI25-TS) IS SPECIFICALLY DESIGNED  
FOR A MIRAGE M-125 SERIES ROTARY SPRINKLER. PLEASE  
CALL OUR SALES ASSOCIATES FOR DETAILS IF YOUR  
FIELD DESIGN SPECIFICATIONS REQUIRE CUSTOM ROTARY SPRINKLERS

**PROPRIETARY AND CONFIDENTIAL**  
THE INFORMATION CONTAINED IN THIS  
DRAWING IS THE SOLE PROPERTY OF  
SPORTSFIELD SPECIALTIES INC. ANY  
REPRODUCTION IN PART OR AS A WHOLE  
WITHOUT THE WRITTEN PERMISSION OF  
SPORTSFIELD SPECIALTIES INC. IS  
PROHIBITED.

**TCTSMI25 (TC-3600-MIRAGEI25-TS)**  
**TURFCOOL® ROTARY SPRINKLER BOX SYNTHETIC TRACK VERSION**

NOT TO SCALE

SPORTSFIELD SPECIALTIES INC I2I92016



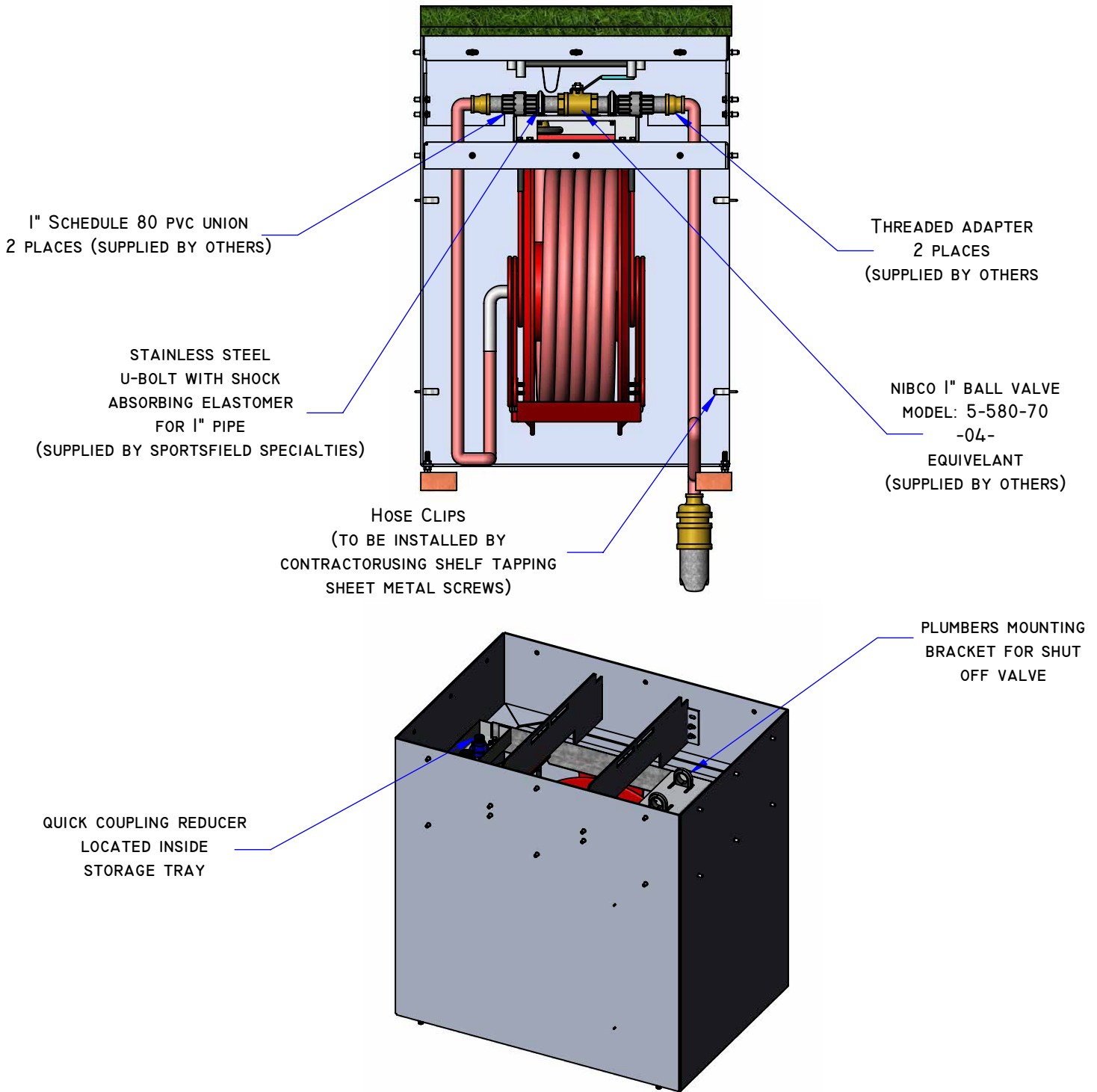
**NOTE:**  
 ALL FITTINGS AND CONECTIONS  
 SUPPLIED BY OTHERS.

PROPRIETARY AND CONFIDENTIAL  
 THE INFORMATION CONTAINED IN THIS  
 DRAWING IS THE SOLE PROPERTY OF  
 SPORTSFIELD SPECIALTIES INC. ANY  
 REPRODUCTION IN PART OR AS A WHOLE  
 WITHOUT THE WRITTEN PERMISSION OF  
 SPORTSFIELD SPECIALTIES INC. IS  
 PROHIBITED.

**TCNGHRSR (TC-3800-DGM-PW)  
 TURFCOOL® WATER HOSE REEL ENCLOSURE BOX**

NOT TO SCALE

SPORTSFIELD SPECIALTIES INC I2212016



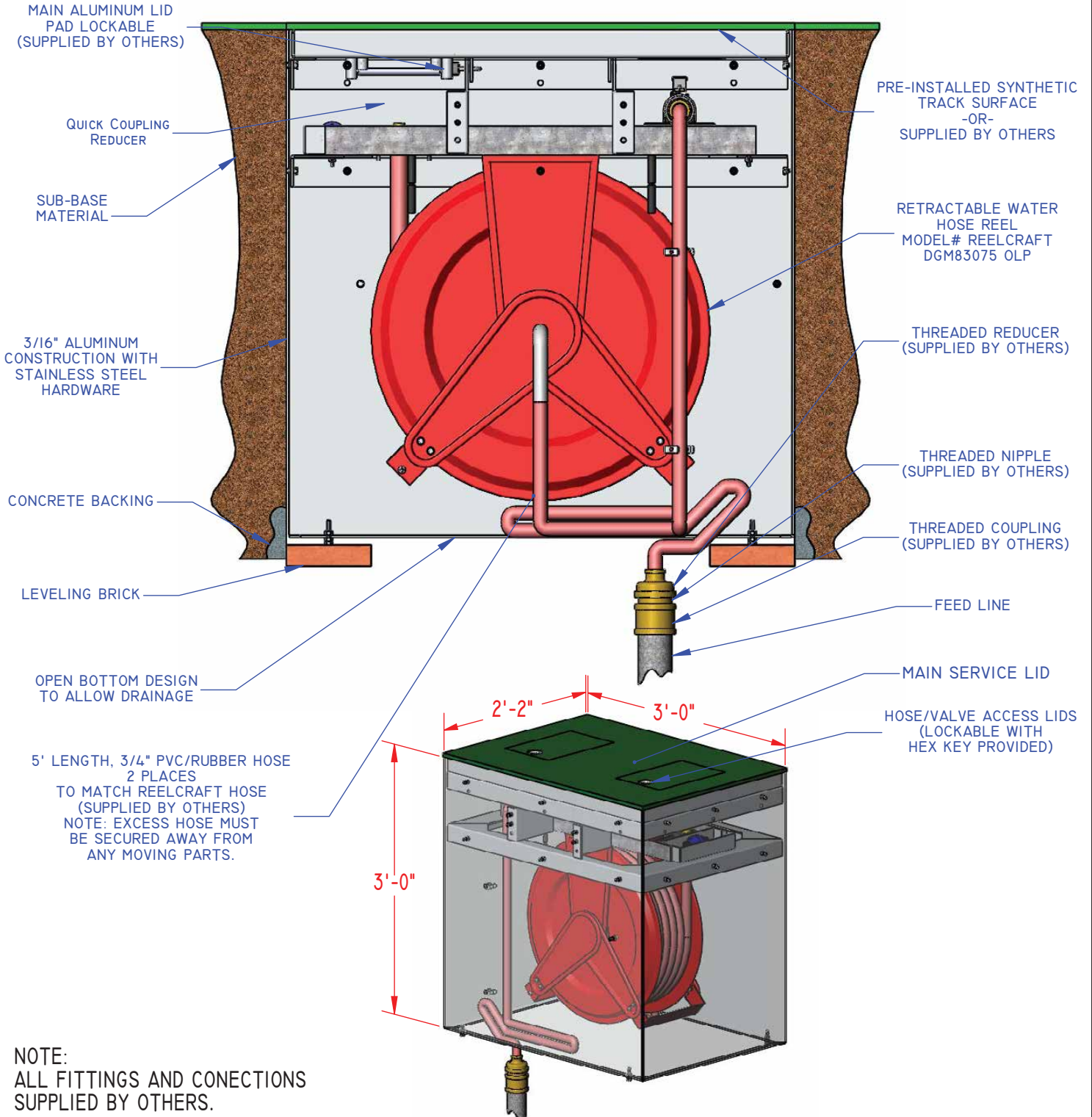
PROPRIETARY AND CONFIDENTIAL  
THE INFORMATION CONTAINED IN THIS  
DRAWING IS THE SOLE PROPERTY OF  
SPORTSFIELD SPECIALTIES INC. ANY  
REPRODUCTION IN PART OR AS A WHOLE  
WITHOUT THE WRITTEN PERMISSION OF  
SPORTSFIELD SPECIALTIES INC. IS  
PROHIBITED.

**TCNGHRSR (TC-3800-DGM-PW)**  
**TURFCOOL® WATER HOSE REEL ENCLOSURE BOX**

NOT TO SCALE

SPORTSFIELD SPECIALTIES INC 12212016



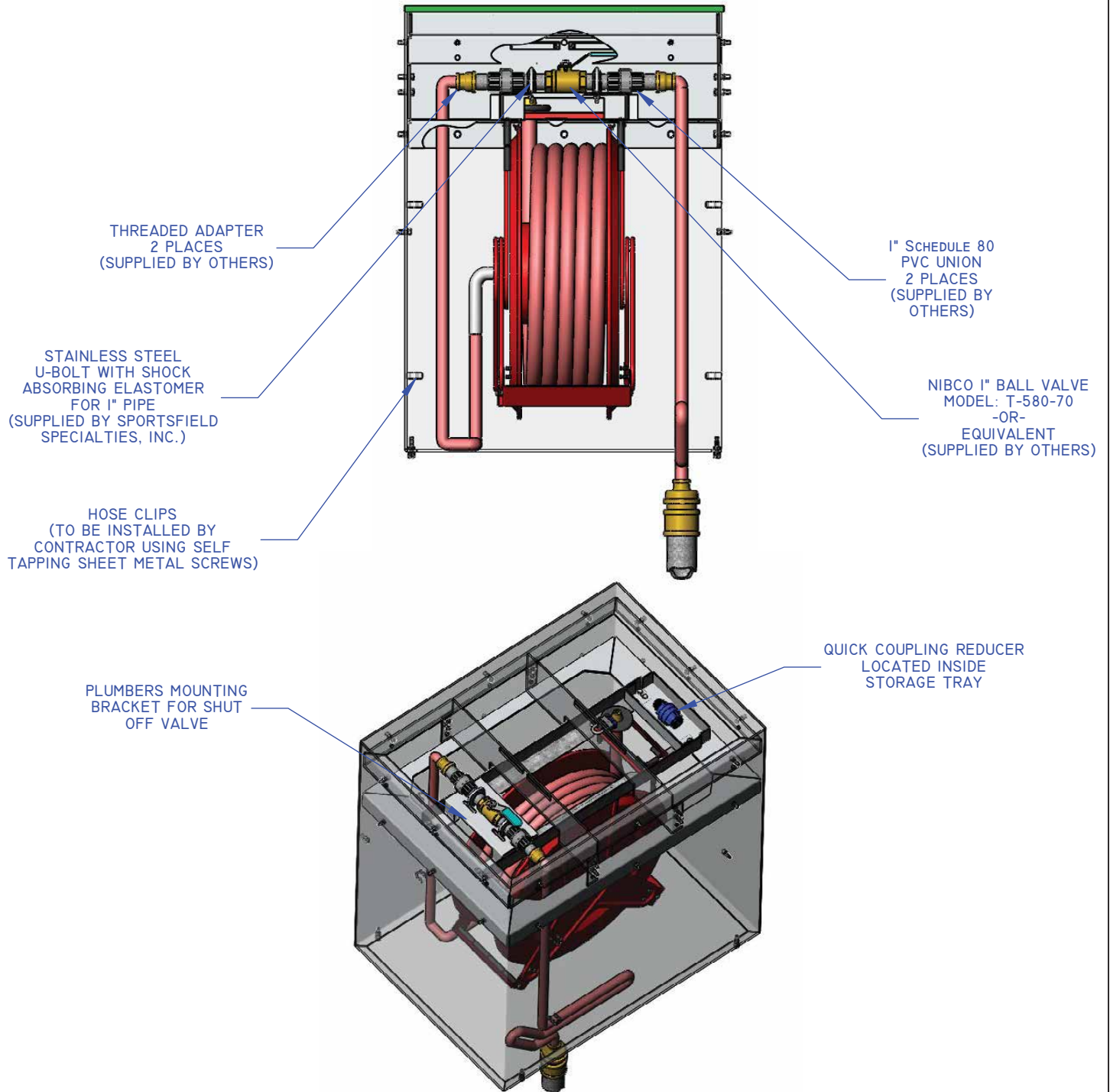


**PROPRIETARY AND CONFIDENTIAL**  
THE INFORMATION CONTAINED IN THIS  
DRAWING IS THE SOLE PROPERTY OF  
SPORTSFIELD SPECIALTIES INC. ANY  
REPRODUCTION IN PART OR AS A WHOLE  
WITHOUT THE WRITTEN PERMISSION OF  
SPORTSFIELD SPECIALTIES INC. IS  
PROHIBITED.

**TC-3800-DGM-TS  
TURFCOOL® WATER HOSE REEL ENCLOSURE BOX**

NOT TO SCALE

SPORTSFIELD SPECIALTIES INC 09252012



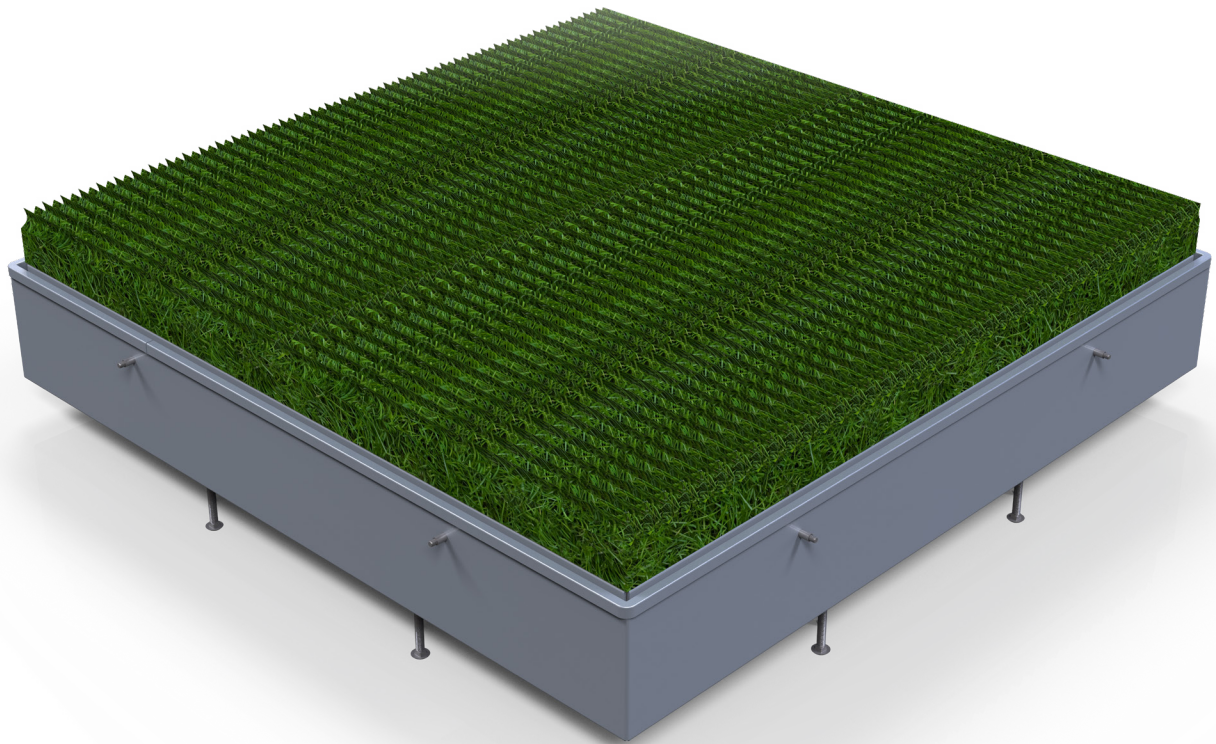
**PROPRIETARY AND CONFIDENTIAL**

THE INFORMATION CONTAINED IN THIS DRAWING IS THE SOLE PROPERTY OF SPORTSFIELD SPECIALTIES INC. ANY REPRODUCTION IN PART OR AS A WHOLE WITHOUT THE WRITTEN PERMISSION OF SPORTSFIELD SPECIALTIES INC. IS PROHIBITED.

**TC-3800-DGM-TS  
TURFCOOL® WATER HOSE REEL ENCLOSURE BOX**

NOT TO SCALE

SPORTSFIELD SPECIALTIES INC 09252012



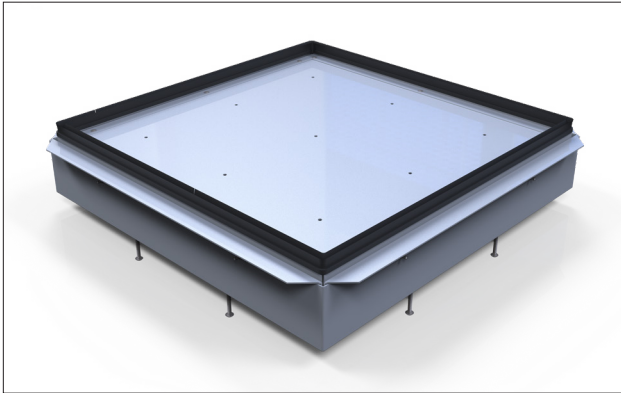
**Manhole Access Frame Kits**



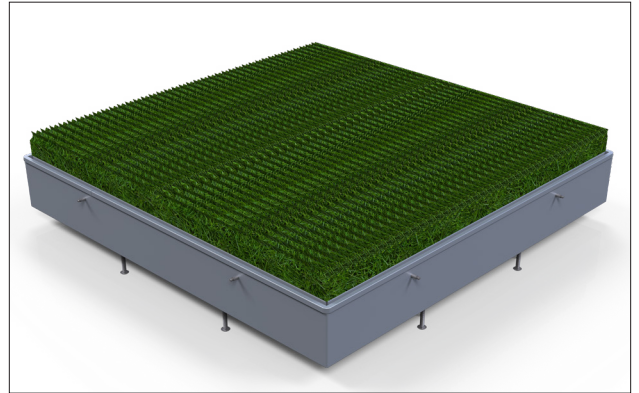
# Manhole Access Frame Kits

## Product Overview

- Creates a subsurface void to permit access for manhole cover removal
- Designed for synthetic infill turf or natural grass applications
- Synthetic turf models include exclusive infill retainage gasket and perimeter turf attachment ledge
- Heavy duty 11 gauge welded steel construction
- Includes solid cover with factory provided 3/8" diameter perforated drain holes
- Note: Synthetic turf models require turf to be applied by others; natural grass models include factory pre-installed green synthetic turf with thatch layer and black trim strip
- Standard black powder coated finish
- Custom sizes available upon request

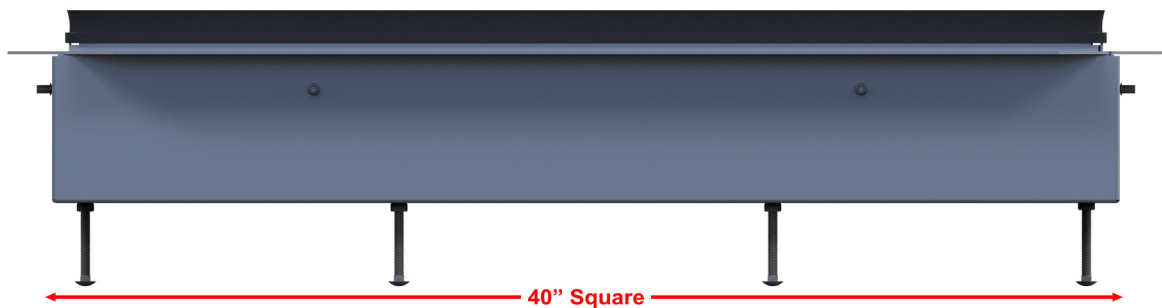


MHAFIT40

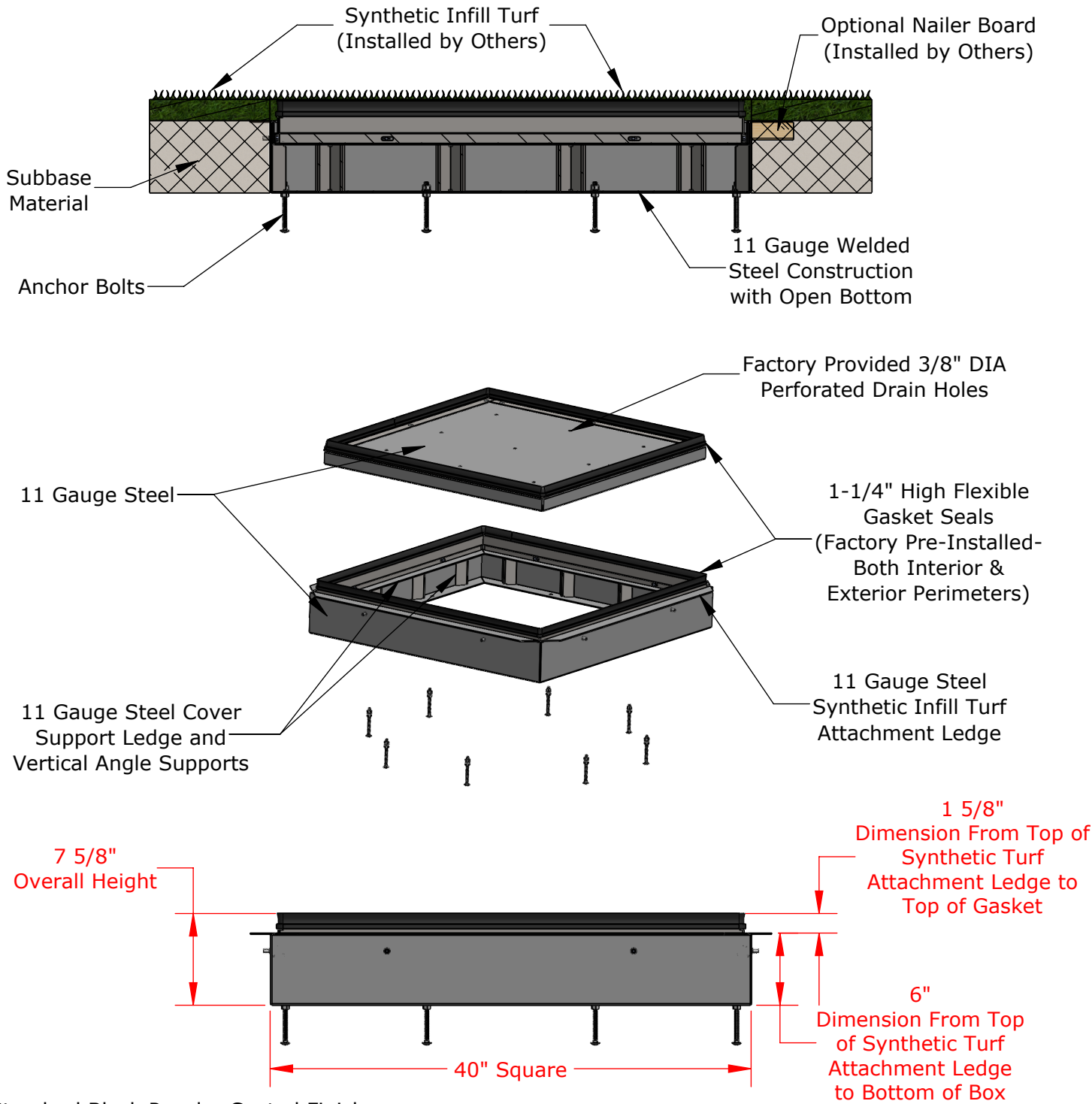


MHAFNG40

Item Number	Product Description
MHAFIT40	Manhole Access Frame Kit with Infill Retainer System for Synthetic Turf Applications
MHAFNG40	Manhole Access Frame Kit for Natural Grass Application



MHAFIT40 Access Frame for use with Manhole Coverings in Synthetic Turf Applications



Standard Black Powder Coated Finish

**PROPRIETARY AND CONFIDENTIAL**

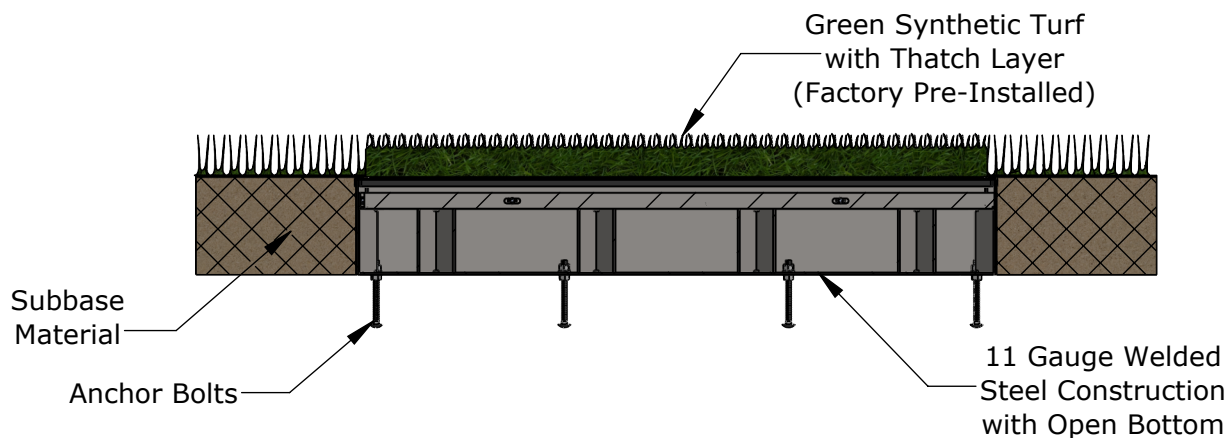
THE INFORMATION CONTAINED IN THIS DRAWING IS THE SOLE PROPERTY OF SPORTSFIELD SPECIALTIES INC. ANY REPRODUCTION IN PART OR AS A WHOLE WITHOUT THE WRITTEN PERMISSION OF SPORTSFIELD SPECIALTIES INC. IS PROHIBITED.

**MHAFIT40 Manhole Access Frame with Infill Retainer System for Synthetic Turf Applications**

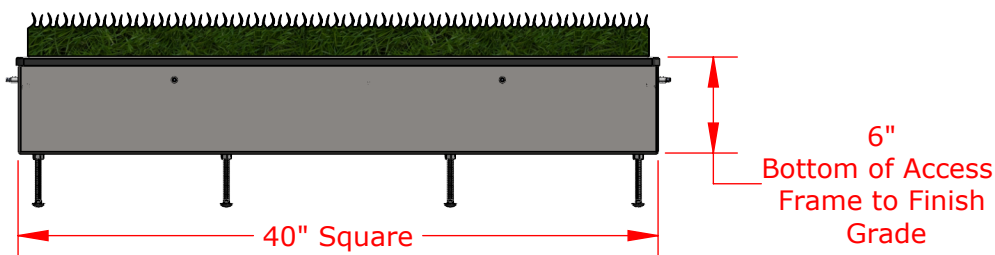
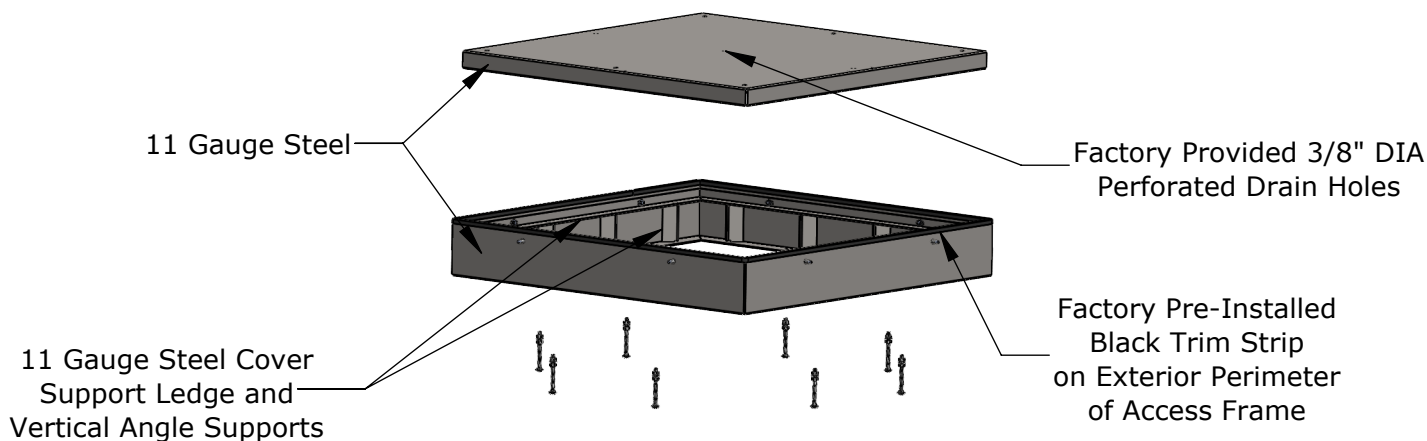
Not To Scale

Sportsfield Specialties Inc 07062023

MHAFNG40 Access Frame for use with Manhole Coverings in Natural Grass Applications



Synthetic Green Turf Removed for Clarity



Standard Black Powder Coated Finish

**PROPRIETARY AND CONFIDENTIAL**

THE INFORMATION CONTAINED IN THIS DRAWING IS THE SOLE PROPERTY OF SPORTSFIELD SPECIALTIES INC. ANY REPRODUCTION IN PART OR AS A WHOLE WITHOUT THE WRITTEN PERMISSION OF SPORTSFIELD SPECIALTIES INC. IS PROHIBITED.

**MHAFNG40 Manhole Access Frame for Natural Grass Applications**

Not To Scale

Sportsfield Specialties Inc 104177.1-230712