

# SPORTSFIELD SPECIALTIES

www.sportsfield.com | 888-975-3343

*Excellence from  
Design to Installation*



**Tennis Equipment**



Sportsfield Specialties, Inc. 41155 State Hwy 10. Delhi, NY 13753



## Tennis Equipment

### Product Overview

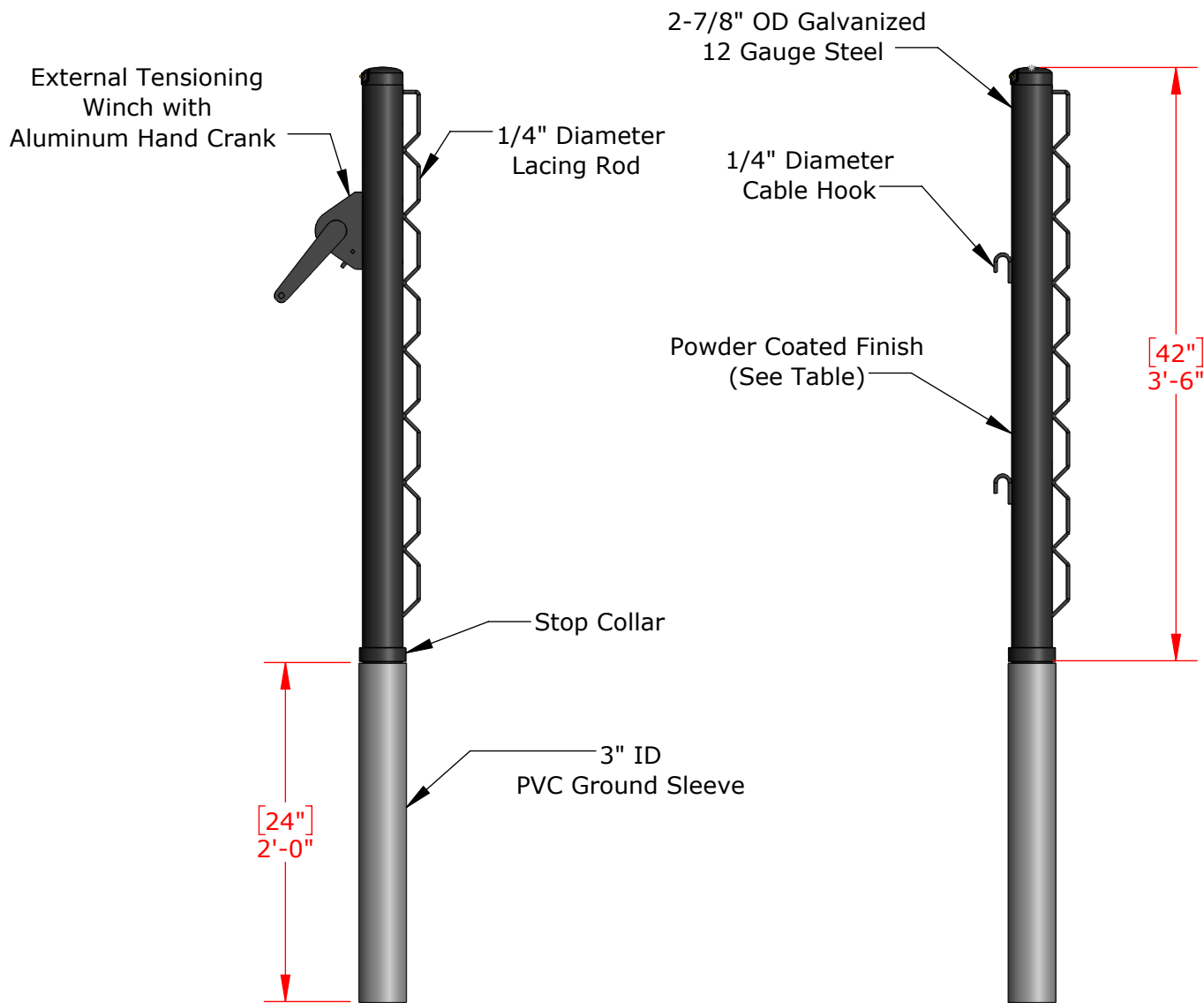
- Complete internal or external wind tennis systems
- Includes 2-7/8" OD round tennis posts with ground sleeves
- Choose from durable green or black powder coated finish
- Internal or external winding mechanism with hand crank
- 3.5mm Signature Tennis Net with center strap and anchor
- Replacement tennis nets may be purchased separately

Item Number	Product Description
TSEB	External wind tennis system, black finish
TSEG	External wind tennis system, green finish
TSIB	Internal wind tennis system, black finish
TSIG	Internal wind tennis system, green finish
TN	Signature tennis net

## Complete Tennis Netting Systems



Set Includes All Hardware  
and Post Caps



**Accessories Included:**

- Removable Aluminum Hand Crank
- TPGS Post Ground Sleeves
- TN Net
- TNS Net Center Strap
- TNA Net Center Strap Anchor

Part No.	Powder Coat Color
TSEB	Black
TSEG	Green

**PROPRIETARY AND CONFIDENTIAL**

THE INFORMATION CONTAINED IN THIS DRAWING IS THE SOLE PROPERTY OF SPORTSFIELD SPECIALTIES INC. ANY REPRODUCTION IN PART OR AS A WHOLE WITHOUT THE WRITTEN PERMISSION OF SPORTSFIELD SPECIALTIES INC. IS PROHIBITED.

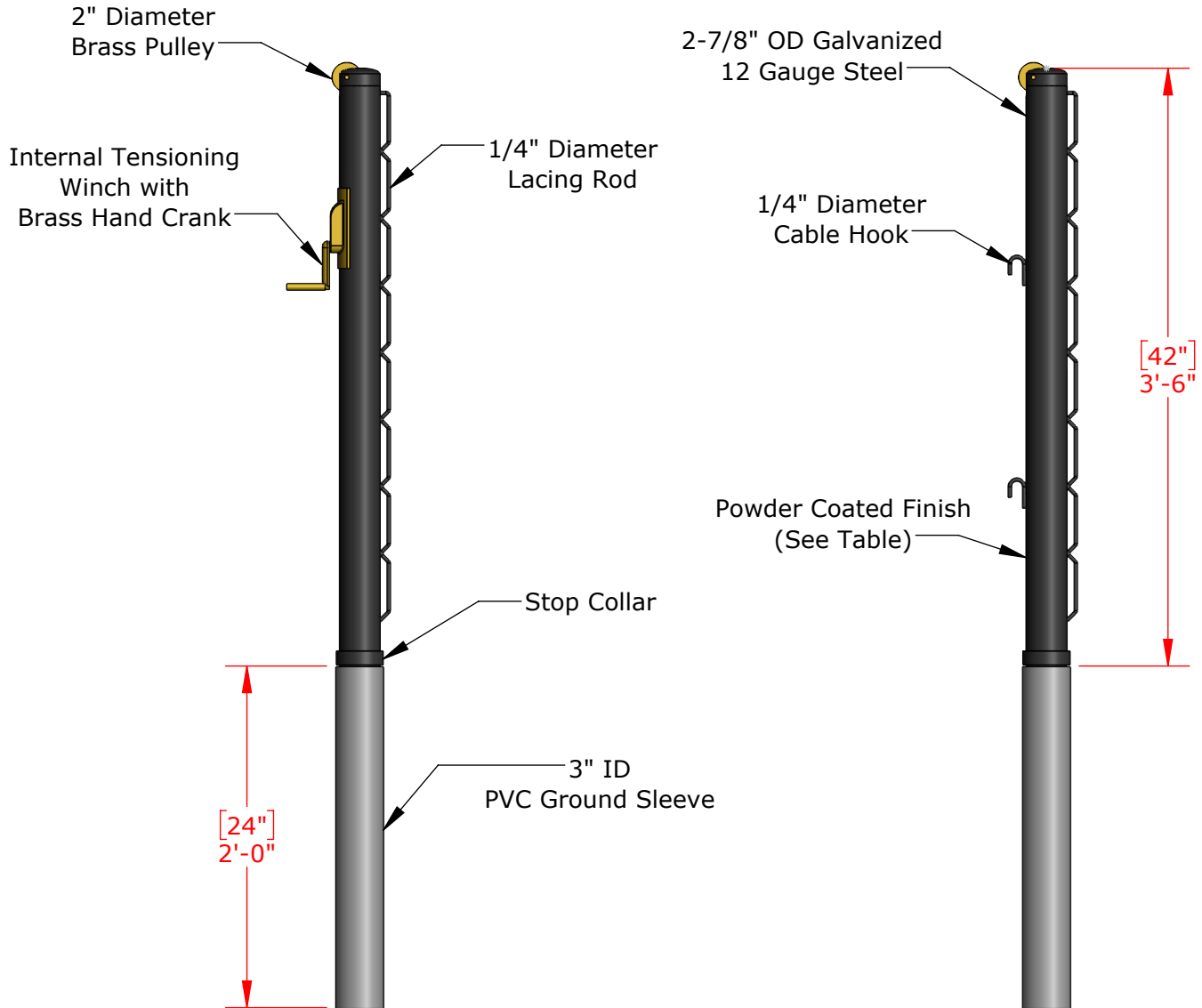
# External Wind Tennis System

Not To Scale

Sportsfield Specialties Inc 11172020



Set Includes All Hardware  
and Post End Caps



**Accessories Included:**

- Removable Brass Hand Crank
- TPGS Post Ground Sleeves
- TN Net
- TNS Net Center Strap
- TNA Net Center Strap Anchor

Part No.	Powder Coat Color
TSIB	Black
TSIG	Green

**PROPRIETARY AND CONFIDENTIAL**

THE INFORMATION CONTAINED IN THIS DRAWING IS THE SOLE PROPERTY OF SPORTSFIELD SPECIALTIES INC. ANY REPRODUCTION IN PART OR AS A WHOLE WITHOUT THE WRITTEN PERMISSION OF SPORTSFIELD SPECIALTIES INC. IS PROHIBITED.

# Internal Wind Tennis System

Not To Scale

Sportsfield Specialties Inc 11192020

### signature net #1352

size	41ft 7in x 3ft 6in, available in tapered option
netting body	3.5mm braided polyethylene rope, 1.5in knotted mesh, double braiding on the top 7 rows
headband	51oz double-layered white vinyl, folded and tucked, treated with UV and mildew inhibitors, 2.5in wide, 6 rows of bonded thread interlocking stitching, built-in grommets
sideband	2.5in black vinyl, built-in grommets, sewn pocket, 2 hollow fiberglass rods
bottom band	2.5in black vinyl, built-in grommets
cable	5mm steel coated cable, 3600lbs tensile strength, 46ft long
net strap	heavy-duty polyester webbing, nickel plated slide buckles, double end hook, reinforced ends

