

ACO Sport®

Drainage Elements for Athletic Venues

Product Line Overview



ACO. creating

the future of drainage

The ACO Group

Founded in 1946, the ACO Group is a world leader in drainage technology. Climate change sets us a challenge to react effectively with innovative solutions to new environmental conditions. With its integrated approach, ACO provides systems for professional surface water drainage, efficient cleaning, and the controlled discharge or reuse of water.

Products include:

- surface water drainage
- oil, sediment, heavy metal and grease separators
- detention, retention and infiltration systems
- flow control release products

Major innovative strengths of the ACO Group are its continuous research & development and technical expertise in the processing of polymer concrete, plastics, cast iron, stainless steel and cement concretes.

ACO in the USA

ACO, Inc. was founded in Ohio, 1978. Since then, continuous growth in the USA has seen the company expand and build manufacturing facilities in Mentor, OH, and Casa Grande, AZ. The company has further locations in Phoenix, AZ, and Fort Mill, SC. Today, ACO USA has sales personnel across the country and an extensive distribution network through all states, the Caribbean and Central America.

ACO Sport®

ACO Sport products were first used at the 1972 Munich Olympic Stadium. They are designed to maximize the functionality of the athletic facility without disrupting the performance of athletes and players. Products are available to meet the requirements of any athletic arena from high school fields to Olympic Stadiums.





ACO Sport Systems

Full Athletic Venue Coverage

Commercial Drainage Products

System 7100

Safety Curb provides rubber topping that borders sports fields for containing loose surfacing such as sand, cinder, or clay in recreational parks and playgrounds.

System 4000

Grated channels are ideal for providing drainage around the perimeter of sports fields, courts, and bleachers.

System 2000/3000

Slotted channels provide discrete, unintrusive drainage for track and field arenas.



Stormwater Retention Systems

System 7200/7300

ACO's Modular Long Jump Pit Systems fulfill high school, college (NCAA), and international standards (IAAF).

Sand Traps prevent displaced sand from degrading surrounding track material.

Features & Benefits



Structural Strength

- Polymer concrete channels
- High compressive strength
- Resistant to thermal buckling



System Range

- System 2000 Slotted Channels
- System 3000 Slotted, Shallow Channels
- System 4000 Grated Channels
- System 4000 Grated Channels with Safety Edge
- System 7100 Safety Curbing
- System 7200 Sand Traps
- System 7300 Modular Long Jump Pit Systems



System 4000 Safety Edge

An optional EPDM rubber top provides a soft, safe edge along the field to help reduce injury from impact.



Interconnecting End Profiles

Allow easy and effective joining of channels. Sealant can be used to create sealed joints.



Jump Pits & Sand Traps

- Steel support grid with non-slip rubber mat
- Polymer concrete
- Metal edge rail
- Bottom outlet to prevent water build-up



Access & Inspection

- Catch basins available
- Uninterrupted, in-line design
- Removable cover
- Drill-outs for pipe connections



System 7100 Safety Curb

- Cellular EPDM rubber cap
- Polymer concrete curb
- Straight and corner sections

Slotted Track & Field Drainage

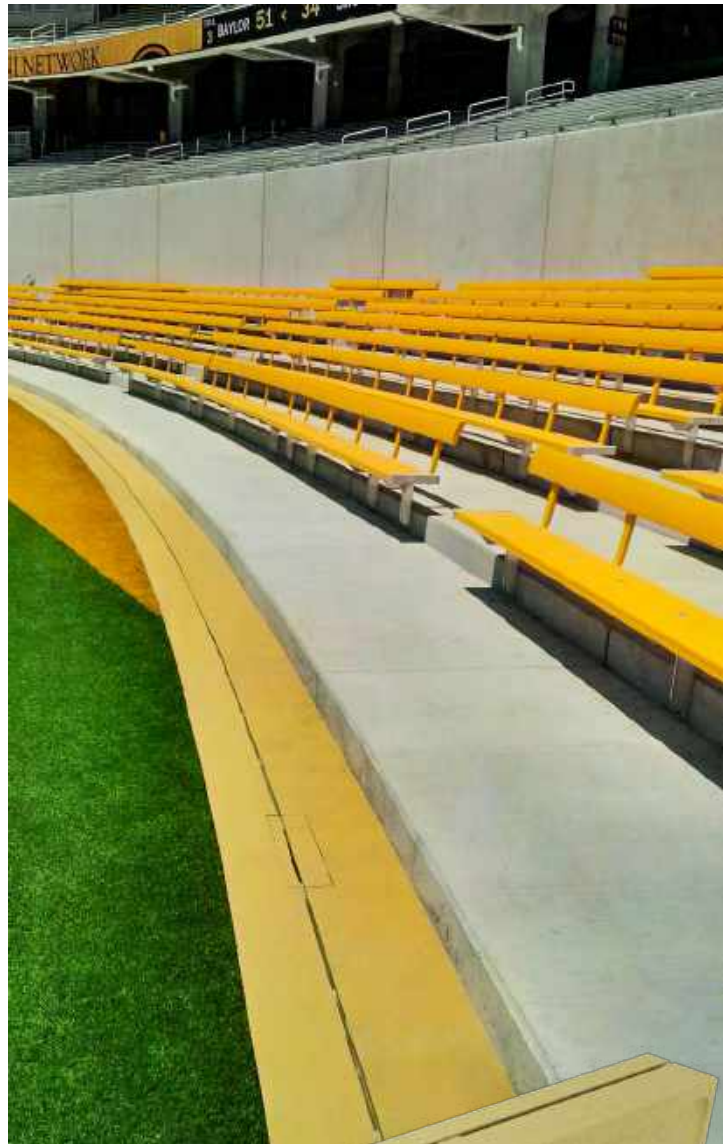
SYSTEM 2000 SLOTTED DRAINAGE

System 2000 is the premier slotted system built for running tracks in high-profile venues, including professional team sport and IAAF stadiums. The system includes straight and radiused channels with a matching in-line catch basin to provide a continuous run around the entire track. The large channel depth provides maximum hydraulic performance.

System 2000 slotted drainage channels can be seamlessly integrated with System 4000 grated channels to provide a part-slotted channel/part-grated channel drainage system.

Popular applications include but are not limited to:

- Olympic Stadiums
- College track & field
- Courts



System 2000 Channels

	Part No.	Length in (mm)	Overall Depth in (mm)	Weight lbs
<p>Straight</p>	00784	39.37 (1000)	9.80 (249)	66.0
<p>Radius</p>	00786	39.37 (1000)	9.80 (249)	66.0

Note: Depth of System 2000 channel matches that of System 4000 #4020 constant depth channel (part no. 06563).

Catch Basin

	Part No.	Length in (mm)	Overall Depth in (mm)	Weight lbs
<p>In-line Catch Basin</p>	05620	19.69 (500)	23.00 (585)	62.0
<p>Polymer Concrete Cover (fits In-line Catch Basin)</p>	00788	19.69 (500)	0.80 (20)	9.0
<p>Plastic Trash Bucket</p>	01498	17.60 (448)	-	1.1
<p>6" Oval > Round Adapter</p>	95140	-	-	1.1

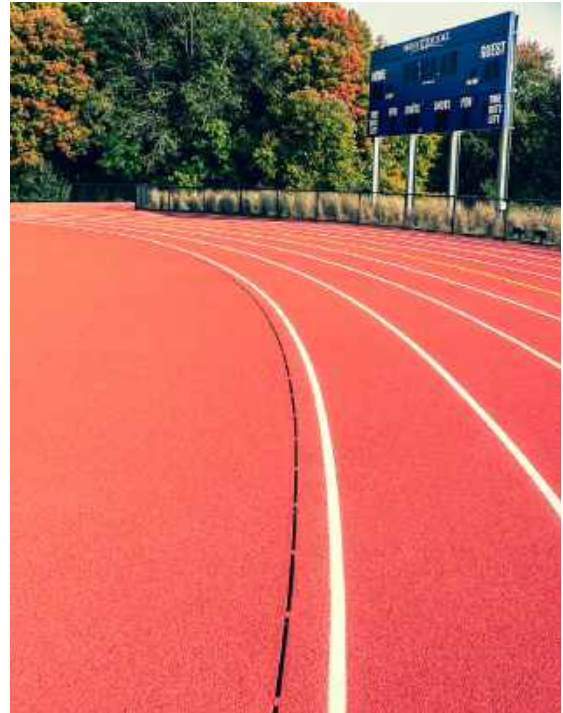


SYSTEM 3000 SLOTTED DRAINAGE

High school tracks are the most common use for the economic System 3000. The channels share the benefits of System 2000 while sporting a shorter invert depth, making it ideal for applications that don't require the hydraulic capacity provided by System 2000 channels.

Popular applications include but are not limited to:

- College track & field
- High school track & field



System 3000 Channels

	Part No.	Length in (mm)	Overall Depth in (mm)	Weight lbs
<p>Straight</p>	05657	39.37 (1000)	5.70 (146)	43.0
<p>Radius</p>	05658	39.37 (1000)	5.70 (146)	43.0

Catch Basin

	Part No.	Length in (mm)	Overall Depth in (mm)	Weight lbs
<p>In-line Catch Basin</p>	05625	21.80 (552)	20.80 (528)	64.5
<p>Polymer Concrete Cover (fits In-line Catch Basin)</p>	05661	19.69 (500)	1.64 (42)	9.0
<p>Plastic Trash Bucket</p>	01498	17.60 (448)	-	1.1

Grated Track & Field Drainage



SYSTEM 4000 GRATED DRAINAGE

Fields with loose surfaces and hard-top courts that cannot be easily shaped around a drainage slot benefit from the grated open channels of System 4000. The open system allows easy access for cleaning and removal of stray surface particles.

The removable grates offer increased hydraulic water intake in comparison to System 2000 and 3000 slotted channels.

Popular applications include but are not limited to:

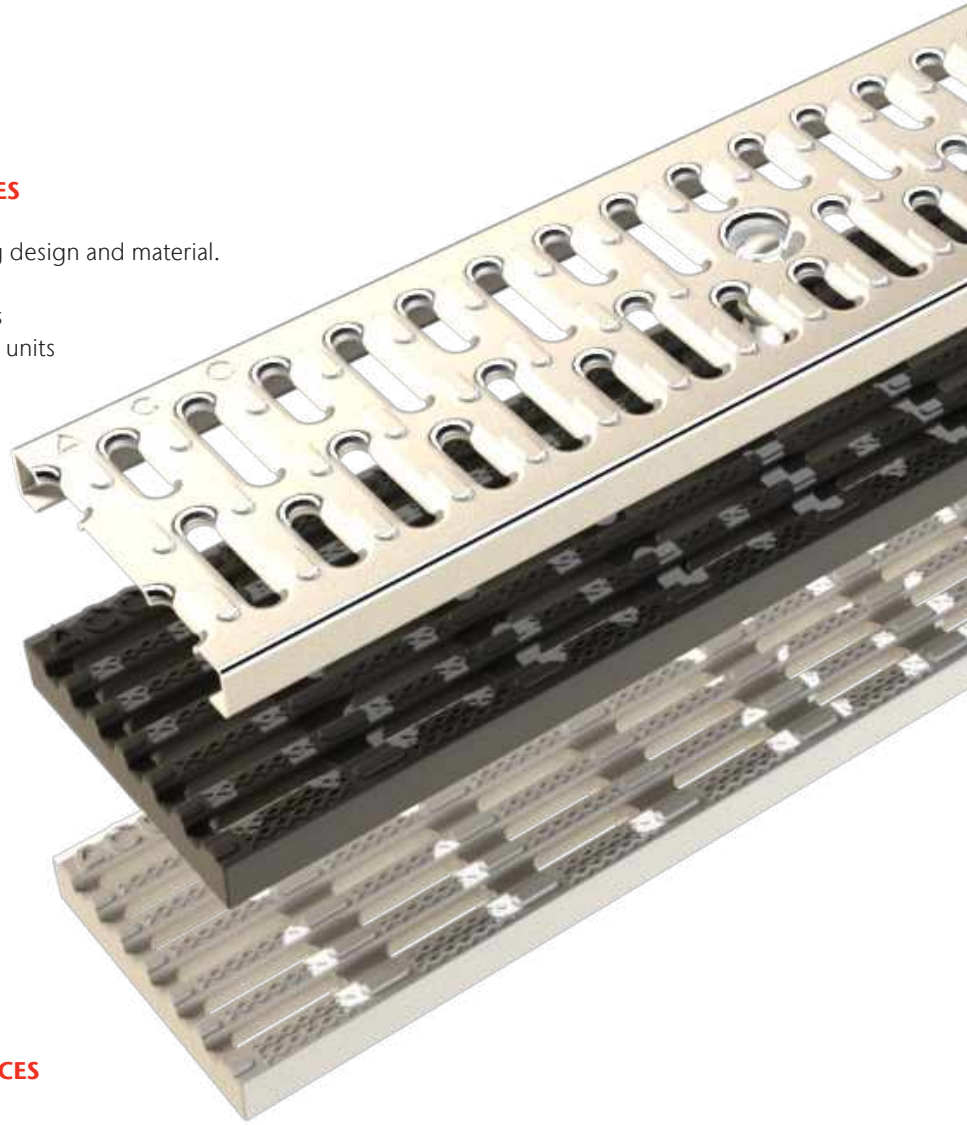
- Olympic Stadiums
- College track & field



CHOICE OF GRATES FOR MULTIPLE PURPOSES

System 4000 provides several options for grating design and material.

- Slotted Steel Grate - meter and half-meter units
- Longitudinal Plastic (Black or Gray) - half-meter units
- Heavier duty grates available if required
- ADA compliant



SAFETY EDGE AVAILABLE TO SOFTEN SURFACES

An optional, integrally cast-in cellular rubber top provides a soft, safe edge to the channel along the field to help reduce injury.



QUICKLOK® FEATURE HOLDS GRATES IN PLACE

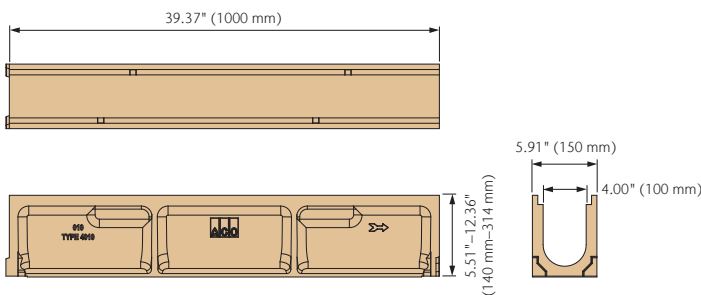
Grates are secured by a patented, push-fit, boltless locking system, providing quick installation and removal of grates.



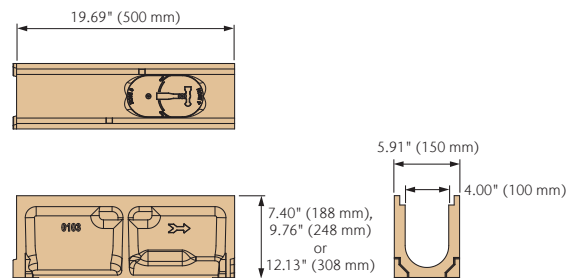
System 4000 Channels

	Part No.	Length in (mm)	Overall Depth in (mm)	Weight lbs
4000-1 Sloped Channel	138001	39.37 (1000)	5.65 (143)	32.0
4002 Constant Depth Channel	06562	39.37 (1000)	5.65 (143)	32.9
4000-2 Sloped Channel	138002	39.37 (1000)	5.88 (149)	32.9
4000-3 Sloped Channel	138003	39.37 (1000)	6.12 (155)	33.8
4000-4 Sloped Channel	138004	39.37 (1000)	6.35 (161)	34.7
4000-5 Sloped Channel	138005	39.37 (1000)	6.59 (167)	35.6
4000-6 Sloped Channel	138006	39.37 (1000)	6.83 (173)	36.5
4000-7 Sloped Channel	138007	39.37 (1000)	7.06 (179)	37.4
4000-8 Sloped Channel	138008	39.37 (1000)	7.30 (185)	38.3
4000-9 Sloped Channel	138009	39.37 (1000)	7.54 (191)	39.2
4010 Constant Depth Channel	06561	39.37 (1000)	7.54 (191)	40.1
40103 Constant Depth Channel	138033	19.69 (500)	7.54 (191)	23.0
4000-10 Sloped Channel	138010	39.37 (1000)	7.77 (197)	40.1
4000-11 Sloped Channel	138011	39.37 (1000)	8.01 (203)	41.0
4000-12 Sloped Channel	138012	39.37 (1000)	8.24 (209)	41.9
4000-13 Sloped Channel	138013	39.37 (1000)	8.48 (215)	42.8
4000-14 Sloped Channel	138014	39.37 (1000)	8.72 (221)	43.7
4000-15 Sloped Channel	138015	39.37 (1000)	8.95 (227)	44.6
4000-16 Sloped Channel	138016	39.37 (1000)	9.19 (233)	45.5
4000-17 Sloped Channel	138017	39.37 (1000)	9.43 (239)	46.4
4000-18 Sloped Channel	138018	39.37 (1000)	9.66 (245)	47.3
4000-19 Sloped Channel	138019	39.37 (1000)	9.90 (251)	48.2
4020 Constant Depth Channel	06563	39.37 (1000)	9.90 (251)	49.1
40203 Constant Depth Channel	138035	19.69 (500)	9.90 (251)	26.0
4000-20 Sloped Channel	138020	39.37 (1000)	10.13 (257)	49.1
4000-21 Sloped Channel	138021	39.37 (1000)	10.37 (263)	50.0
4000-22 Sloped Channel	138022	39.37 (1000)	10.61 (269)	50.9
4000-23 Sloped Channel	138023	39.37 (1000)	10.84 (275)	51.8
4000-24 Sloped Channel	138024	39.37 (1000)	11.08 (281)	52.7
4000-25 Sloped Channel	138025	39.37 (1000)	11.31 (287)	53.6
4000-26 Sloped Channel	138026	39.37 (1000)	11.55 (293)	54.5
4000-27 Sloped Channel	138027	39.37 (1000)	11.79 (299)	55.6
4000-28 Sloped Channel	138028	39.37 (1000)	12.02 (305)	56.5
4000-29 Sloped Channel	138029	39.37 (1000)	12.26 (311)	57.4
4030 Constant Depth Channel	138036	39.37 (1000)	12.13 (308)	58.0
4000-30 Sloped Channel	138030	39.37 (1000)	12.50 (317)	59.2

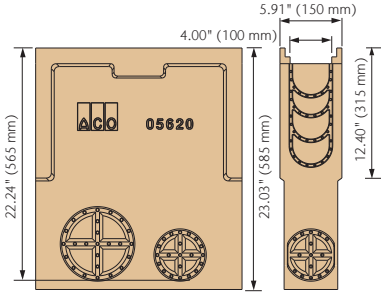
Meter Channel



Half-Meter Channel



Catch Basin

	Part No.	Length in (mm)	Overall Depth in (mm)	Weight lbs
In-line Catch Basin				
	05620	19.69 (500)	23.00 (585)	62.0
Catch Basin QuickLok Bar	98717	-	-	0.3
Plastic Trash Bucket	01498	-	-	1.1
6" Oval > Round Adapter	95140	-	-	1.1

Accessories

Closing End Cap	137090	-	12.50 (311)	4.5
104-4 Inlet Cap - 4"	137091	-	7.54 (191)	2.6
204-4 Inlet Cap - 4"	137093	-	9.90 (251)	3.7
204-6 Inlet Cap - 6"	137099	-	9.90 (251)	3.3
108-4 Outlet Cap - 4"	137092	-	7.77 (197)	2.0
208-4 Outlet Cap - 4"	137094	-	10.13 (257)	2.6
208-6 Outlet Cap - 6"	137095	-	10.13 (257)	2.6
308-4 Outlet Cap - 4"	137097	-	12.50 (317)	3.3
308-6 Outlet Cap - 6"	137098	-	12.50 (317)	3.3

Grates

Slotted Steel - 1 m	31530	39.37 (1000)	-	5.9
Slotted Steel - 0.5 m	31531	19.69 (500)	-	3.0
Black Longitudinal Plastic - 0.5 m	97393	19.69 (500)	-	1.8
Gray Longitudinal Plastic - 0.5 m	97385	19.69 (500)	-	1.8
QuickLok Bar	02899	-	-	0.1
Grate Removal Tool	01318	-	-	0.3



Safety Edge System

SE4020 Constant Depth Channel	06566	39.37 (1000)	9.90 (251)	49.1
In-line Catch Basin	06567	19.69 (500)	23.00 (585)	62.0

Jump Pit Systems



SYSTEM 7100 SAFETY CURB

System 7100 Safety Curbs create secure borders around playing fields and loose-surface areas. The black rubber cap provides a soft, smooth, even surfacing to avoid tripping and to minimize injury from falls.

- Synthetic turf fields
- Jump pits
- Playgrounds



SYSTEM 7200 SAND TRAPS

System 7200 Sand Trap units catch splashing sand, reducing abrasion damage to the surrounding surfaces.

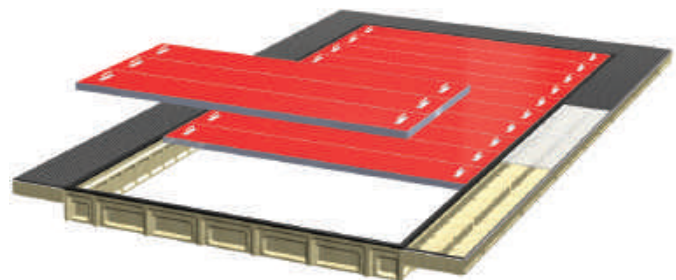
- Jump pits



SYSTEM 7300 MODULAR JUMP PITS

System 7300 Modular Jump Pit Systems provide an easy solution for the three most common jump pit sizes. Aluminum covers and optional sand traps are available.

- Olympic Stadiums
- College track & field



System 7100 Safety Curb

	Part No.	Length in (mm)	Overall Depth in (mm)	Weight lbs
Straight Safety Curb	00960	39.37 (1000)	9.80 (249)	31.8
Safety Curb Corner Piece	01041	11.8 (300)	9.80 (249)	17.0

System 7200 Sand Trap

	Part No.	Length in (mm)	Overall Depth in (mm)	Weight lbs
Sand Trap	02739	39.37 (1000)	5.7 (145)	72.8
Metal grate & rubber mat	01453	39.37 (1000)	1.9 (48)	32.0
End cap	02740	19.69 (500)	6.8 (200)	12.0

System 7310 High School Jump Pits

	Part No.	Internal Size (m x m)	Weight lbs
OPTION A: FLUSH END			
Jump Pit System (curbs, sand traps & covers) Flush End - Black	91021	3 x 6.5	3998.0
OPTION B: WRAP-AROUND			
Jump Pit System (curbs, sand traps & covers) Wrap-Around - Black	91008	3 x 6.5	4318.0
OPTION C: CURB & COVER			
Jump Pit System (curbs, & covers) - Black	91023	3 x 6.5	2215.0

System 7320 College (NCAA) Jump Pits

OPTION A: FLUSH END			
Jump Pit System (curbs, sand traps & covers) Flush End - Black	91032	3 x 7.5	4433.0
OPTION B: WRAP-AROUND			
Jump Pit System (curbs, sand traps & covers) Wrap-Around - Black	91045	3 x 7.5	4791.0
OPTION C: CURB & COVER			
Jump Pit System (curbs, & covers) - Black	91027	3 x 7.5	2475.0

System 7330 International (IAAF) Jump Pits

OPTION A: FLUSH END			
Jump Pit System (curbs, sand traps & covers) Flush End - Black	91017	3 x 8.5	4906.0
OPTION B: WRAP-AROUND			
Jump Pit System (curbs, sand traps & covers) Wrap-Around - Black	91028	3 x 8.5	5264.0
OPTION C: CURB & COVER			
Jump Pit System (curbs, & covers) - Black	91036	3 x 8.5	2735.0

System 7300 Accessories

Jump Pit System Assembly Kit	91046	-	48.5
------------------------------	--------------	---	------

Technical Support & Services

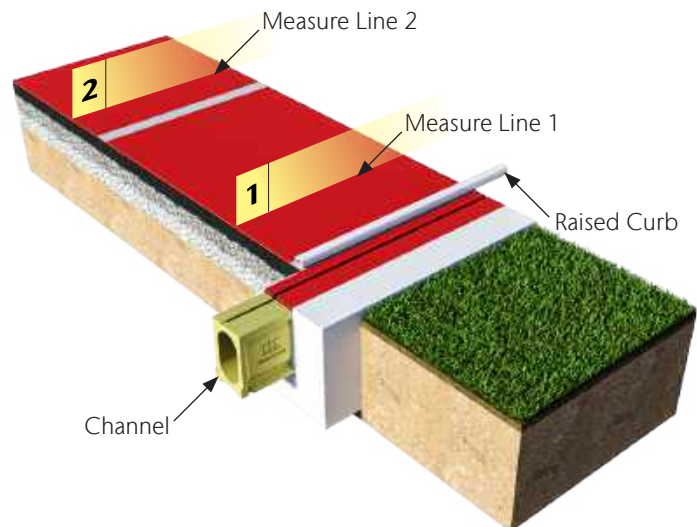
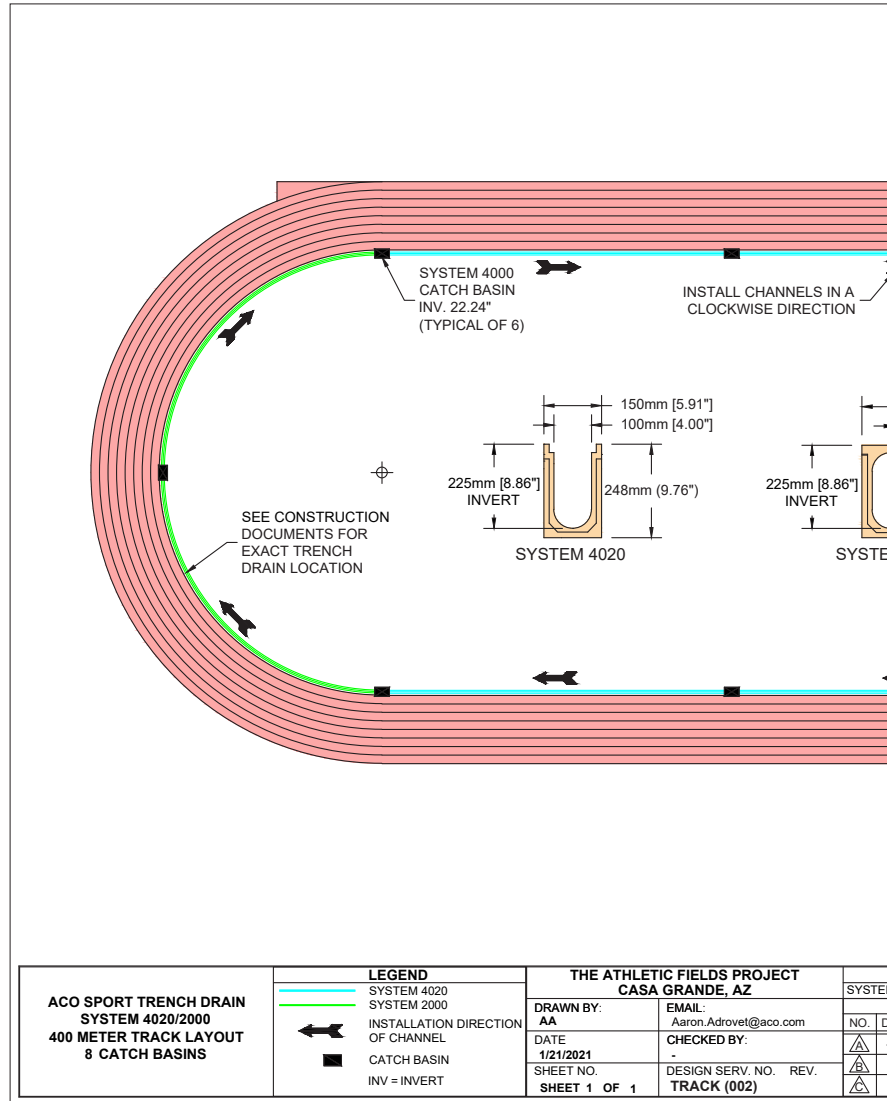
ACO Sport products are the primary choice of sport facility designers. A key reason for this is the professional level support and assistance available, both at the design and installation stages.

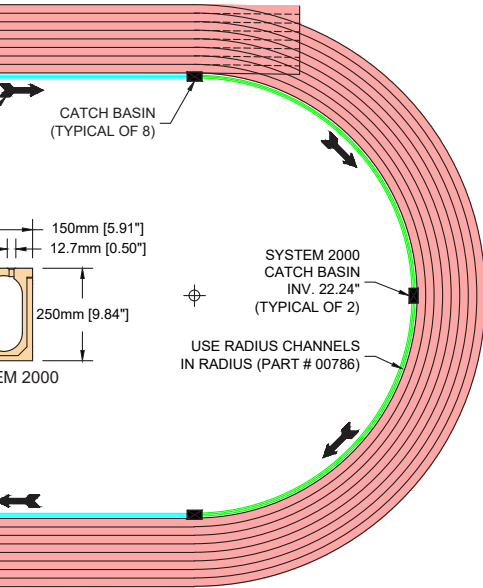


TECHNICAL SUPPORT

ACO offers the following support and advice:

- Running Track Drainage Layout & Bill of Materials** - A complete take-off showing position of straight and radius channels complete with catch basin locations. This service will deal with all track configurations and provide a bill of materials.
- Installation Details** - All ACO Sport products are supported by DWG and PDF installation drawings and specification clauses.
- Hydraulic Calculations** - Using ACO Drain's proven software services, ACO can supply sizing information for drain systems to cope with drainage requirements relative to the catchment of the track and field.





- GENERAL NOTES**
- IT IS THE CUSTOMERS RESPONSIBILITY TO FOLLOW ACO, INC. INSTALLATION INSTRUCTIONS FOR EACH PRODUCT. SEEK ENGINEERING ADVICE FOR INSTALLATIONS NOT ILLUSTRATED IN THE INSTALLATION GUIDELINES.
 - ACO IS NOT RESPONSIBLE TO ENSURE PROPER FLOW TO SYSTEMS OUTLETS OR CATCH BASINS, REFER TO GRADING PLANS. ALL TRENCH DRAIN LAYOUTS ARE DESIGNED AT 0.0% LONGITUDINAL PAVEMENT SLOPE UNLESS OTHERWISE NOTED.
 - THIS TRENCH DRAIN LAYOUT DRAWING IS ONLY INTENDED TO BE USED AS A GUIDELINE. REFERENCE CONSTRUCTION DOCUMENTS FOR FURTHER INFORMATION.

- TRENCH NOTES**
- ALL FABRICATIONS TO BE COMPLETED BY INSTALLING CONTRACTOR.
 - INSTALLING CONTRACTOR TO VERIFY ENTIRE SCOPE OF TRENCH DRAIN HAS BEEN PROVIDED FOR THIS PROJECT BY ACO, INC.

MATERIAL LIST
SYSTEM 4020 W/6 CATCH BASINS

PART #	DESCRIPTION	QTY
06563	SYSTEM 4020	200
05620	SYSTEM 4000 CATCH BASIN	6
98717	REMOVABLE QUICKLOK BAR	6
01498	PLASTIC TRASH BUCKET	6
97393	494Q BLACK PL ADA GRATE	406
02899	QUICKLOK LOCKING BAR	400

MATERIAL LIST
SYSTEM 2000 W/2 CATCH BASINS

PART #	DESCRIPTION	QTY
00786	SYSTEM 2000 RADIUSUED	200
05620	SYSTEM 2000 CATCH BASIN	2
00788	POLYMER CONCRETE COVER	2
01498	PLASTIC TRASH BUCKET	2

TRENCH DRAIN LAYOUT
M(S) SPORT 4020/2000 GRATE(S) 494Q/SLOT

DESCRIPTION	REVISIONS	DATE	BY

ACO, INC.

WEST SALES OFFICE
825 W BEECHCRAFT ST
CASA GRANDE, AZ 85122
Tel. (888) 490-9552
Fax (520) 421-9899

EAST SALES OFFICE
9470 PINECONE DRIVE
MENTOR, OH 44060
Tel. (800) 543-4764
Fax (440) 639-7235

SOUTHEAST SALES OFFICE
4211 PLEASANT RD
FORT MILL, SC 29708
Tel. (800) 543-4764
Fax (803) 802-1053

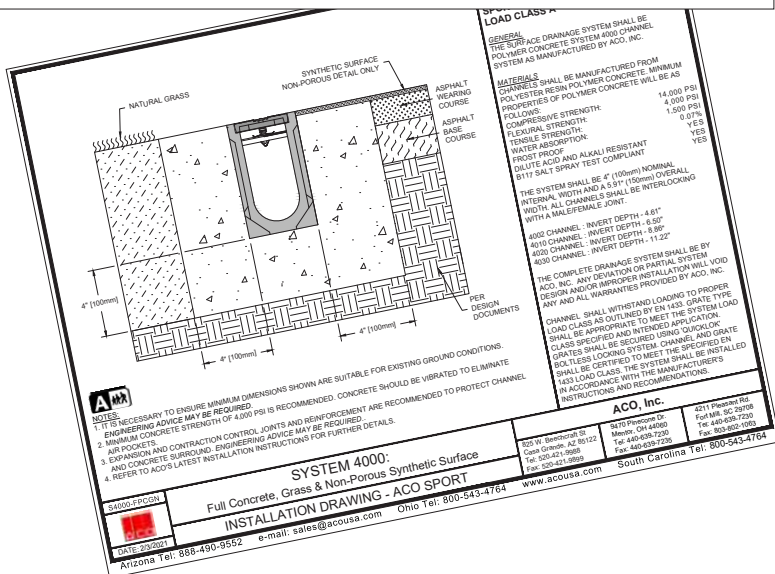
www.acousa.com



SERVICE

ACO understands that every track, field or other sporting arena is different and can assist in the surface drainage design ensuring that both hydraulic and layout requirements are met. Advice and assistance is available from initial design through installation and maintenance.

askACO
www.askaco.us



ACO products support the ACO System Chain



Surface Water Management

- ACO Drain - Commercial Trench Drains
- ACO Infrastructure - Heavy Duty Drainage
- ACO Sport - Athletic Venue Drainage
- ACO StormBrixx - Geocellular Tanks
- ACO Aquaduct - Custom Drainage
- ACO Environment - Solid & Oil Separators
- ACO Wildlife - Guidance & Passage
- ACO Self - Garden & Landscape Drainage
- ACO UtilityDuct - Linear Ducting System

Building Drainage

- ACO Stainless - Stainless Trench Drains
- ACO BoxDrain - Stainless Floor Troughs
- ACO FloorDrain - Stainless Point Drains
- ACO Pipe - Stainless Push-fit Piping
- ACO ShowerDrain - Bathroom Drainage

ACO, Inc.

West Sales Office
825 W. Beechcraft Street
Casa Grande, AZ 85122
Tel: (520) 421-9988
Toll-Free: (888) 490-9552
Fax: (520) 421-9899

Northeast Sales Office
9470 Pinecone Drive
Mentor, OH 44060
Tel: (440) 639-7230
Toll-Free: (800) 543-4764
Fax: (440) 639-7235

Southeast Sales Office
4211 Pleasant Road
Fort Mill, SC 29708
Toll-Free: (800) 543-4764
Fax: (803) 802-1063

info@acousa.com
www.acousa.com

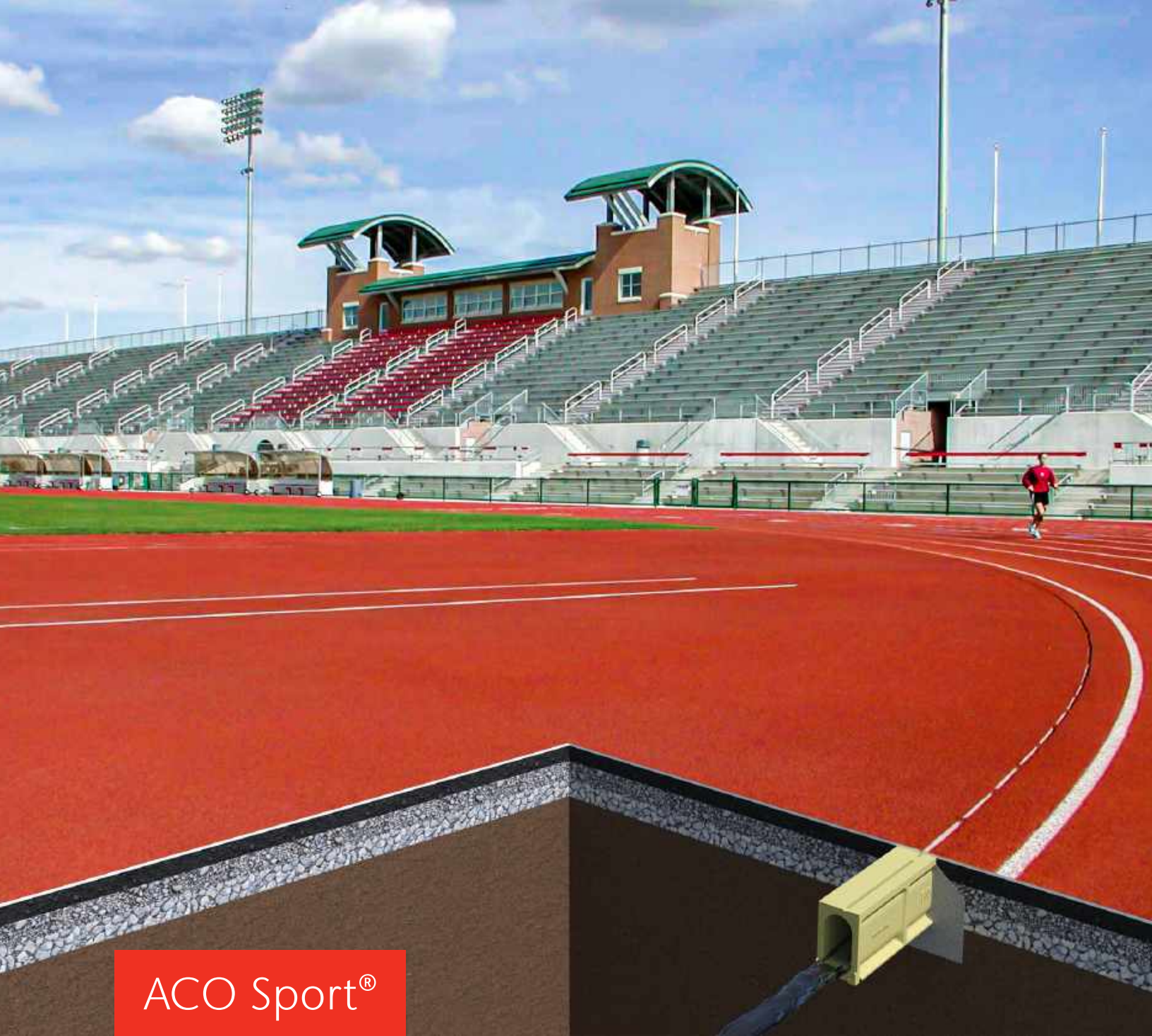
© April 2021 ACO, Inc.

All reasonable care has been taken in compiling the information in this document. All recommendations and suggestions on the use of ACO products are made without guarantee since the conditions of use are beyond the control of the company. It is the customer's responsibility to ensure that each product is fit for its intended purpose and that the actual conditions of use are suitable. ACO, Inc. reserves the right to change products and specifications without notice.

Print #SP300

ACO. creating
the future of drainage





ACO Sport®

System 2000

Slotted Running Track and Field Drainage System
Ideal for IAAF Tracks



ACO. creating

the future of drainage

The ACO Group

Founded in 1946, the ACO Group is a world leader in drainage technology. Climate change sets us a challenge to react effectively with innovative solutions to new environmental conditions. With its integrated approach, ACO provides systems for professional surface water drainage, efficient cleaning, and the controlled discharge or reuse of water.

Products include:

- surface water drainage
- oil, sediment, heavy metal and grease separators
- detention, retention and infiltration systems
- flow control release products

Major innovative strengths of the ACO Group are its continuous research & development and technical expertise in the processing of polymer concrete, plastics, cast iron, stainless steel and cement concretes.

ACO in the USA

ACO, Inc. was founded in Ohio, 1978. Since then, continuous growth in the USA has seen the company expand and build manufacturing facilities in Mentor, OH, and Casa Grande, AZ. The company has further locations in Phoenix, AZ, and Fort Mill, SC. Today, ACO USA has sales personnel across the country and an extensive distribution network through all states, the Caribbean and Central America.

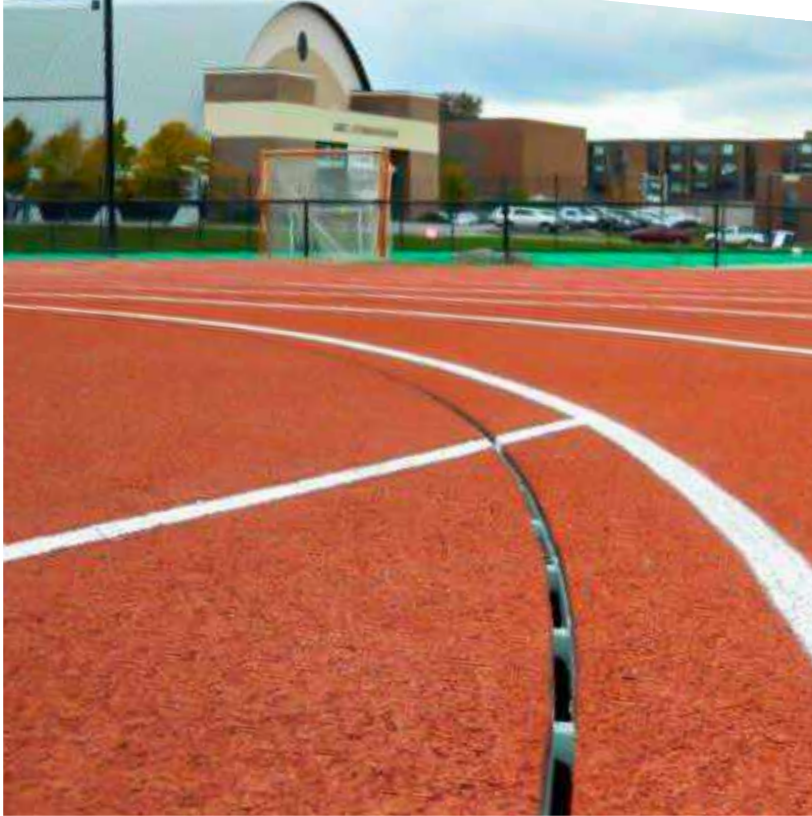
ACO Sport®

ACO Sport products were first used at the 1972 Munich Olympic Stadium. They are designed to maximize the functionality of the athletic facility without disrupting the performance of athletes and players. Products are available to meet the requirements of any athletic arena from high school fields to Olympic Stadiums.



ACO Sport System 2000

Sporting facilities use a wide variety of hard and soft surface materials. All external venues should incorporate surface drainage to protect these surfaces. System 2000 is the premier slotted running track drain system used at most high profile venues, including Olympic, professional and IAAF stadiums. The system is supplied in straight and radiused channels with a matching in-line catch basin to provide a continuous run around the entire running track. Increased depth provides maximum hydraulic performance.



System 2000 radius channels can be used in conjunction with System 4000 open channels if the track requirement is for slotted channels on the curves and grated channels on the straights.

System 2000 channels are ideal for use where synthetic track surface is used on both sides of the drain - such as curves of the track and high jump areas.

Popular applications include but are not limited to:

- Olympic stadiums
- College track & field
- Courts



Channels are available in 1 m (39.37") and 0.5 m (19.69") lengths and designed for use where a smooth transition from running track to sport field is required.

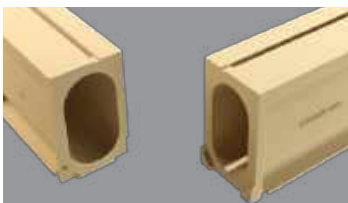
System 2000 Features & Benefits



Drainage Slot
0.5" ADA compliant drainage slot offset from the center of the channel



Polymer Concrete Surface
Exposed edges will not rust or discolor surrounding surfaces



Interconnecting Profiles
Channels fit together easily and securely via linking end profiles



Slot Bridge

Bridges at the center and end of each channel's slot to prevent closure



Directional Arrows

Arrows to ensure proper channel connection.

Side Wall Profile

Side pillars provide additional strength.



Installation Device

Recess on channel for use of installation device.

System 2000 Channels

	Part No.	Length in (mm)	Overall Depth in (mm)	Weight lbs
Straight	00784	39.37 (1000)	9.80 (249)	66.0
Radius	00786	39.37 (1000)	9.80 (249)	66.0

Catch Basin

	Part No.	Length in (mm)	Overall Depth in (mm)	Weight lbs
In-line Catch Basin	05620	19.69 (500)	23.00 (585)	59.0
Polymer Concrete Cover	00788	19.69 (500)	0.80 (20)	9.0
Plastic Trash Bucket	01498	17.60 (448)	-	1.1
6" Oval > Round Adapter	95140	-	-	1.1

ACO Sport Systems

Full Athletic Venue Coverage

System 7100

Safety Curb provides rubber topping that borders sports fields for containing loose surfacing such as sand, cinder, or clay in recreational parks and playgrounds.

System 2000/3000

Slotted channels provide discrete, unintrusive drainage for track and field arenas.

System 7200/7300

ACO's Modular Long Jump Pit Systems fulfill high school, college (NCAA), and international standards (IAAF).

Sand Traps prevent displaced sand from degrading surrounding track material.

System 4000

Grated channels are ideal for providing drainage around the perimeter of sports fields, courts, and bleachers.

ACO products support the ACO System Chain



Surface Water Management

- ACO Drain - Commercial Trench Drains
- ACO Infrastructure - Heavy Duty Drainage
- ACO Sport - Athletic Venue Drainage
- ACO StormBrixx - Geocellular Tanks
- ACO Aquaduct - Custom Drainage
- ACO Environment - Solid & Oil Separators
- ACO Wildlife - Guidance & Passage
- ACO Self - Garden & Landscape Drainage
- ACO UtilityDuct - Linear Ducting System

Building Drainage

- ACO Stainless - Stainless Trench Drains
- ACO BoxDrain - Stainless Floor Troughs
- ACO FloorDrain - Stainless Point Drains
- ACO Pipe - Stainless Push-fit Piping
- ACO ShowerDrain - Bathroom Drainage

ACO, Inc.

West Sales Office
825 W. Beechcraft Street
Casa Grande, AZ 85122
Tel: (520) 421-9988
Toll-Free: (888) 490-9552
Fax: (520) 421-9899

Northeast Sales Office
9470 Pinecone Drive
Mentor, OH 44060
Tel: (440) 639-7230
Toll-Free: (800) 543-4764
Fax: (440) 639-7235

Southeast Sales Office
4211 Pleasant Road
Fort Mill, SC 29708
Toll-Free: (800) 543-4764
Fax: (803) 802-1063

info@acousa.com
www.acousa.com

© April 2021 ACO, Inc.

All reasonable care has been taken in compiling the information in this document. All recommendations and suggestions on the use of ACO products are made without guarantee since the conditions of use are beyond the control of the company. It is the customer's responsibility to ensure that each product is fit for its intended purpose and that the actual conditions of use are suitable. ACO, Inc. reserves the right to change products and specifications without notice.

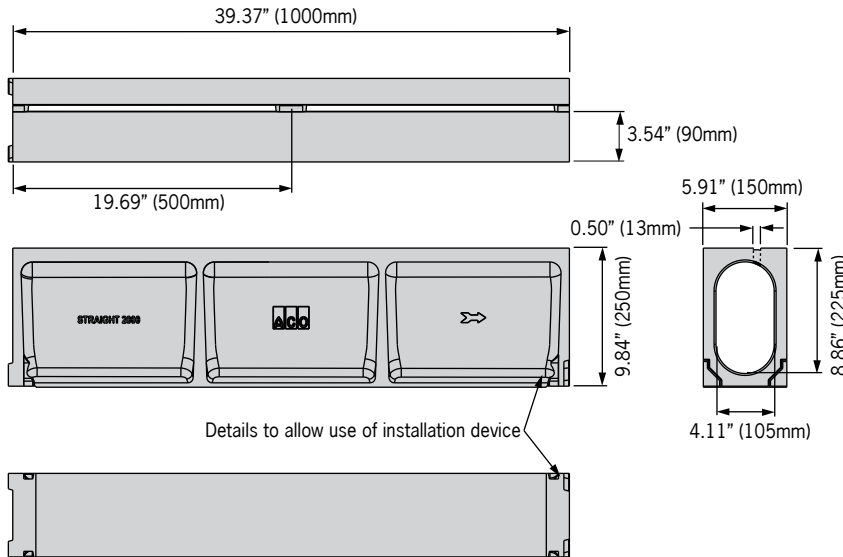
Print #SP200

ACO. creating
the future of drainage

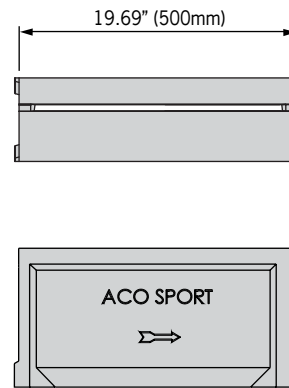




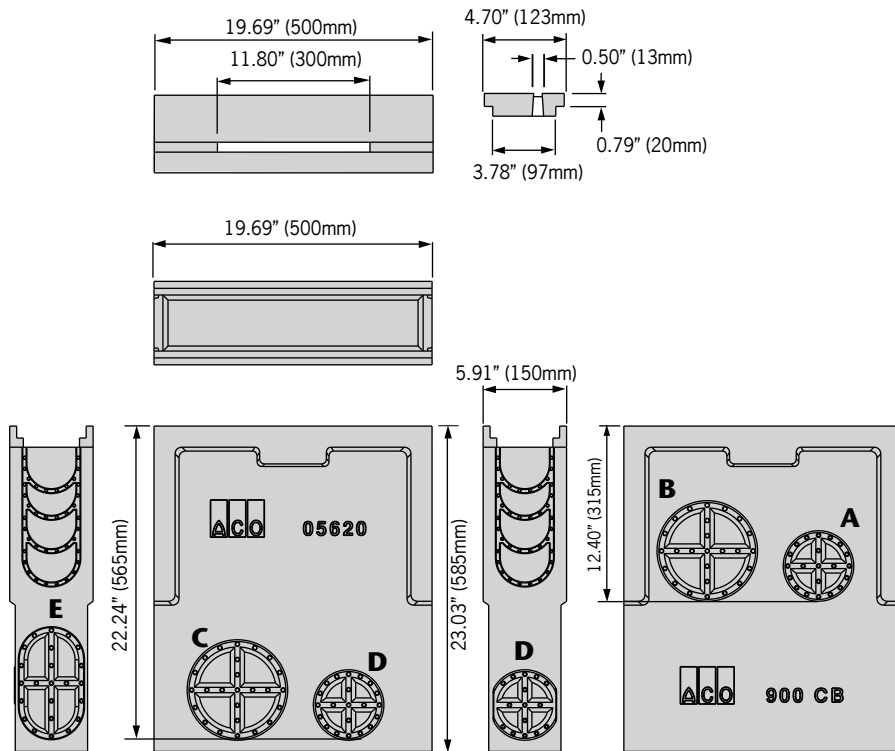
One meter channel



Half meter channel



In-line catch basin



Outlet flow rates

Outlet	Product	Outlet size (Sch. 40)	Invert Depth	GPM	CFS
A	In-line catch basin*	4" round	12.40	175	0.40
B	In-line catch basin*	6" round	12.40	379	0.87
C	In-line catch basin*	6" round	22.24	530	1.22
D	In-line catch basin*	4" round	22.24	242	0.54
E	In-line catch basin*	6" oval	22.24	372	0.86

* In-line catch basin flow rate without trash bucket - using trash bucket reduces flow

ACO Specification Information



System 2000 Slot Channel trench drain system

ACO Specification Information

Description	Part No	Invert Depth		Overall Depth		Wgt lbs
		inches	mm	inches	mm	
System 2000 Straight channel - 39.37" (1000mm)	00784	8.86	225	9.84	250	66.0
System 2000 Straight channel - 19.69" (500mm)	97487	8.86	225	9.84	250	33.0
System 2000 Radiused channel (R36.5m) - 39.37" (1000mm)	00786	8.86	225	9.84	250	66.0
Catch basin						
System 2000 In-line catch basin - 19.69" (500mm)	05620	22.13	562	23.03	585	57.0
Polymer concrete catch basin cover - 19.69" (500mm)	00788	-	-	-	-	9.0
Series 900 plastic trash bucket	01498	-	-	-	-	1.1
6" oval to round adapter (to fit outlet E)	95140	-	-	-	-	1.1

Notes:

1. For maximum hydraulic efficiency remove trash bucket from in-line catch basin

Part I - General	Part II - Product	Part III - Installation
<p>1.1 Related Work - Work specified in other sections includes but is not limited to: Excavation and backfill, cast-in-place concrete, and mechanical equipment.</p> <p>1.2 System Description - Modular trench drainage system manufactured from corrosion resistant polyester polymer concrete including interconnecting modular components.</p> <p>1.3 Submittals - Manufacturer will submit, when required, shop drawings showing schematic plan of total drainage system listing all parts being provided with exact center-line dimensions suitable for installation. Copies of the manufacturer's recommended method of installation shall be submitted for review.</p> <p>1.4 Project History - Manufacturer shall submit a list of installed projects, if required.</p> <p>1.5 Warranty - ACO provides a limited product warranty of one year based on installation according to manufacturer's installation instruction data.</p>	<p>2.1 Products - Manufacturer shall be ACO Polymer Products, Inc.</p> <p>2.2 Physical & Mechanical Characteristics</p> <ul style="list-style-type: none"> • Overall width - 5.91 inches (150mm) • Internal width - 4.13 inches (105mm) • Unit depth - 9.84 inches (250mm) • Unit length - 39.37 inches (1000mm), or 19.69" (500mm) • Compressive strength - 14,000 psi • Flexural strength - 4,000 psi • Water absorption rate - <0.1% by weight. • 0.5" (13mm) inlet slot - ADA compliant to American Disabilities Act of 1990 Section 4.5.4 <p>2.3 Channel Profile - Each unit will feature a full radius in the trench bottom and male to female interconnecting ends. Units shall have horizontal cast-in anchoring features on outside walls to ensure maximum mechanical bond to surrounding bedding material. Each unit shall have a 0.5" (12.7mm) longitudinal inlet slot on the top surface.</p> <p>2.4 Radius Channels - Shall be manufactured to enable a radius of 36.5 meters, per IAAF guidelines.</p> <p>2.5 Catch Basins - Shall be manufactured from polymer concrete, be one half meter (19.69") in length and include a trash bucket (optional) and removable polymer concrete cover.</p>	<p>3.1 Site Preparation - Excavate an area wide enough and deep enough to accommodate the ACO SPORT System 2000 channel, allowing a minimum of 4 inches (100mm) concrete encasement (recommended 4,000psi) on 3 sides to provide support on both sides as well as beneath channel. Top of channel must be evenly aligned to the surface of the surrounding slab. See installation section for haunch details for different loadings & pavement materials.</p> <p>3.2 Installation - Channel sections are installed from the outlet or catch basins. Insert channels from above to allow ends to interconnect. Channel sections shall be placed on brick, rebar basket, or low slump concrete slurry to obtain correct finished elevation. Cutting will be made, if required, by masonry or concrete saw. Use tape or plastic to protect top surface of channel from concrete splash during concrete pour. Place concrete in a manner that will not dislodge the channels.</p> <p>3.3 Finishing and Clean-up - Following final set of concrete, remove protection covering the top of channel and thoroughly flush system to remove debris.</p> <p>3.4 Install in strict accordance with manufacturer's recommendations and drawings. Details available at www.ACOSport.us.</p>

ACO Polymer Products, Inc.

West Sales Office

825 W Beechcraft Street
 Casa Grande, AZ 85122
 Tel: (520) 421-9988
 Toll Free: (888) 490-9552
 Fax: (520) 421-9899

Northeast Sales Office

9470 Pinecone Drive
 Mentor, OH 44060
 Tel: (440) 639-7230
 Toll free: (800) 543-4764
 Fax: (440) 639-7235

Southeast Sales Office

4211 Pleasant Road
 Fort Mill, SC 29708
 Toll free: (800) 543-4764
 Fax: (803) 802-1063

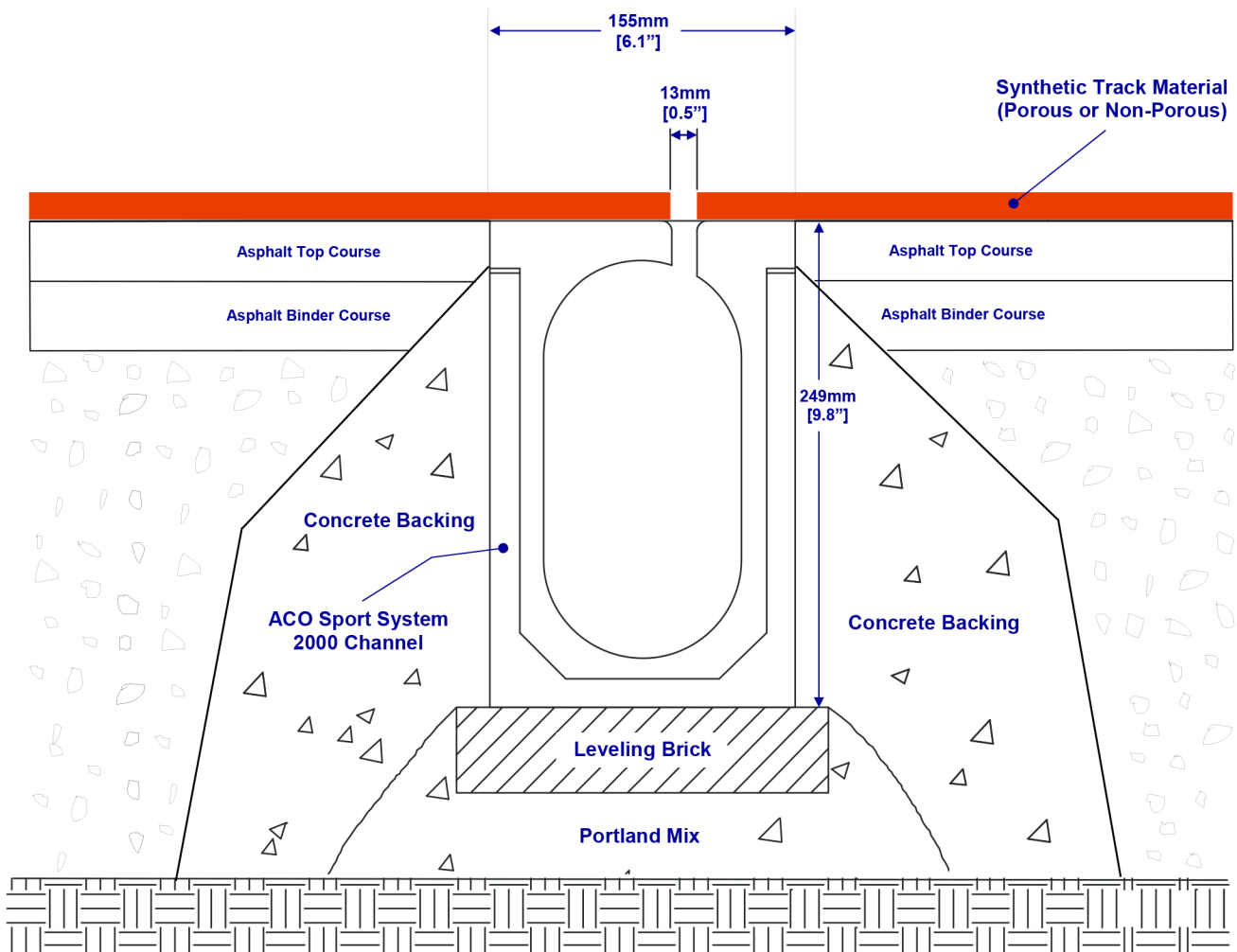
Follow us on



Electronic Contact:

info@ACOSport.us
www.ACOSport.us





**Synthetic Track Surface to Synthetic Track Surface
 Sloped Away Concrete Encasement**

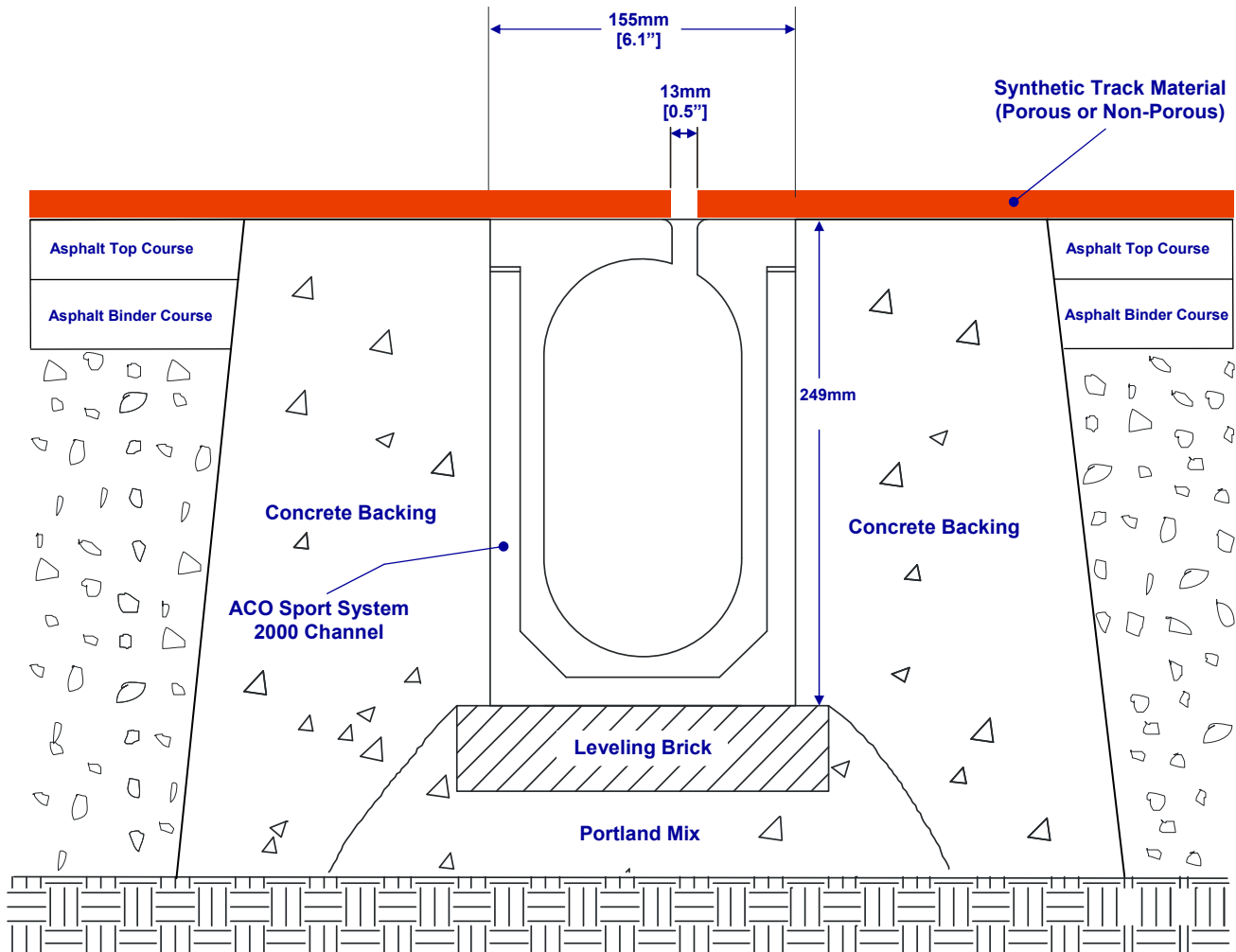
PROPRIETARY AND CONFIDENTIAL
 THE INFORMATION CONTAINED IN THIS
 DRAWING IS THE SOLE PROPERTY OF
 SPORTSFIELD SPECIALTIES INC. ANY
 REPRODUCTION IN PART OR AS A WHOLE
 WITHOUT THE WRITTEN PERMISSION OF
 SPORTSFIELD SPECIALTIES INC. IS
 PROHIBITED.



ACO Sport System 2000 Slot Drain

NOT TO SCALE

SPORTSFIELD SPECIALTIES INC 05/23/13



**Synthetic Track Surface to Synthetic Track Surface
 Non-Formed Full Concrete Encasement**

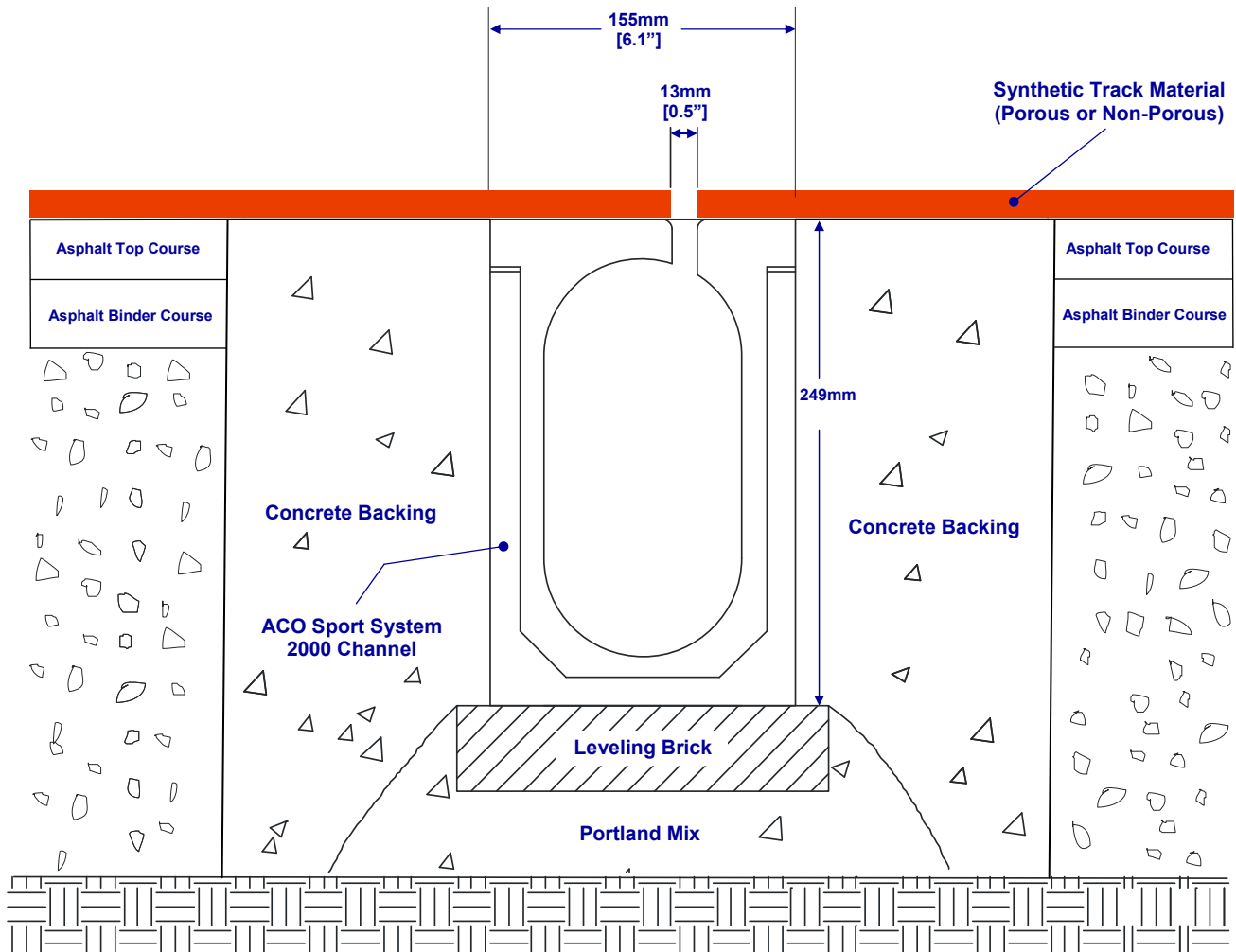
PROPRIETARY AND CONFIDENTIAL
 THE INFORMATION CONTAINED IN THIS
 DRAWING IS THE SOLE PROPERTY OF
 SPORTSFIELD SPECIALTIES INC. ANY
 REPRODUCTION IN PART OR AS A WHOLE
 WITHOUT THE WRITTEN PERMISSION OF
 SPORTSFIELD SPECIALTIES INC. IS
 PROHIBITED.



ACO Sport System 2000 Slot Drain

NOT TO SCALE

SPORTSFIELD SPECIALTIES INC 05/23/13



**Synthetic Track Surface to Synthetic Track Surface
Fully Formed Concrete Encasement**

PROPRIETARY AND CONFIDENTIAL
THE INFORMATION CONTAINED IN THIS
DRAWING IS THE SOLE PROPERTY OF
SPORTSFIELD SPECIALTIES INC. ANY
REPRODUCTION IN PART OR AS A WHOLE
WITHOUT THE WRITTEN PERMISSION OF
SPORTSFIELD SPECIALTIES INC. IS
PROHIBITED.



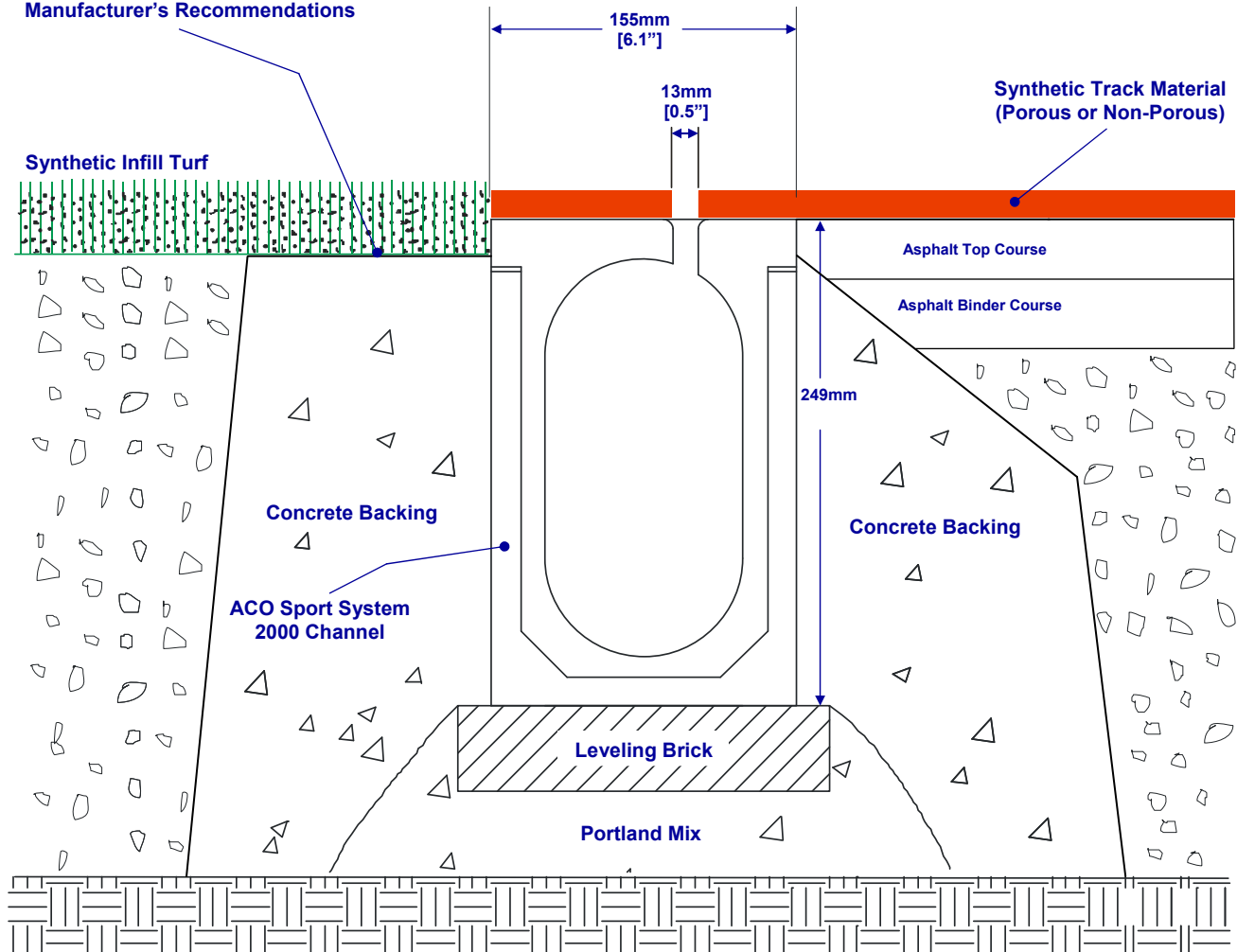
ACO Sport System 2000 Slot Drain

NOT TO SCALE

SPORTSFIELD SPECIALTIES INC 05/23/13



Synthetic Infill Turf to be Adhered to Concrete Ledge per Synthetic Infill Turf Manufacturer's Recommendations



**Synthetic Infill Turf to Synthetic Track Surface
 Non-Formed "Field-Side" Ledge & Sloped Away "Track-Side" Encasement**

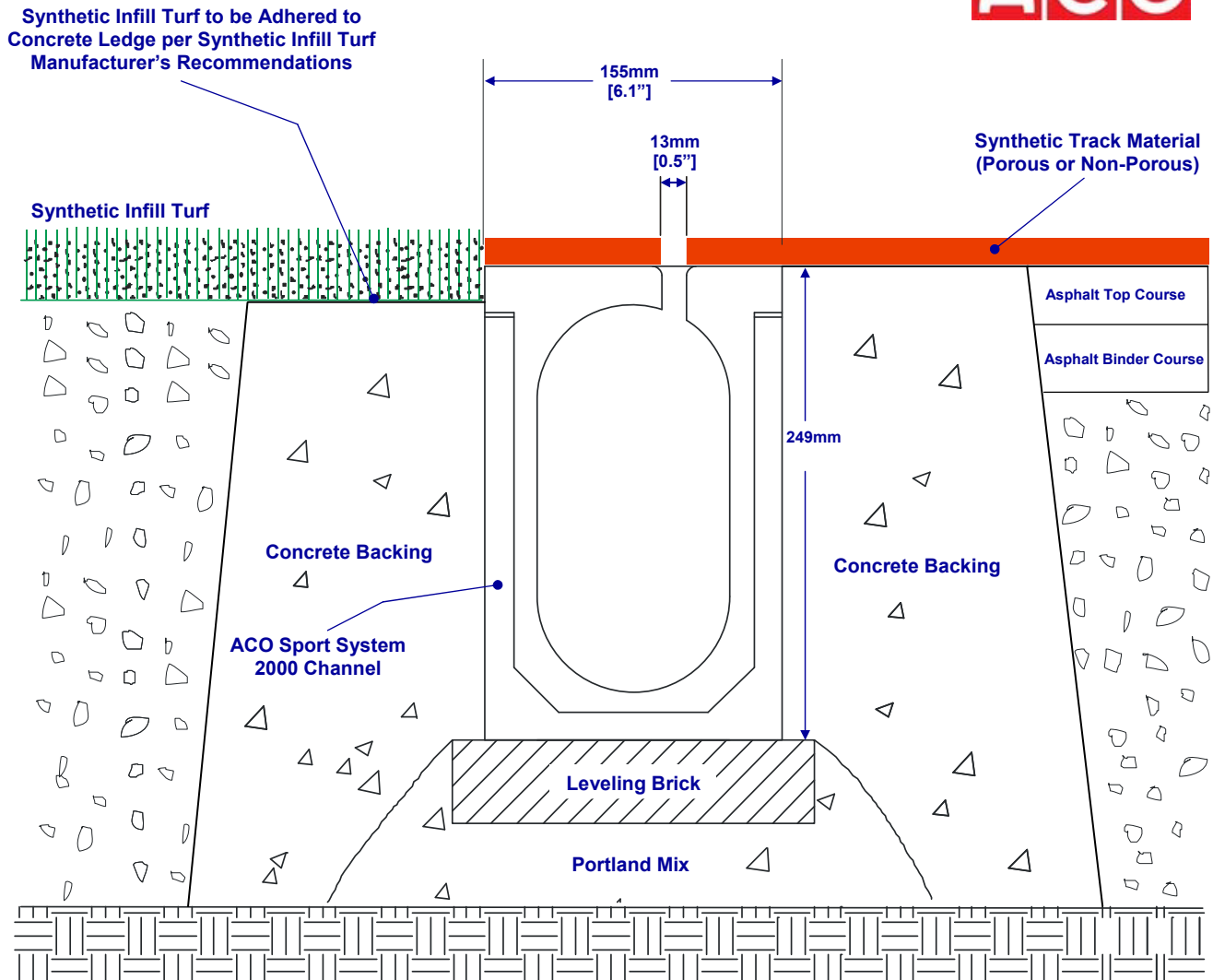
PROPRIETARY AND CONFIDENTIAL
 THE INFORMATION CONTAINED IN THIS
 DRAWING IS THE SOLE PROPERTY OF
 SPORTSFIELD SPECIALTIES INC. ANY
 REPRODUCTION IN PART OR AS A WHOLE
 WITHOUT THE WRITTEN PERMISSION OF
 SPORTSFIELD SPECIALTIES INC. IS
 PROHIBITED.



ACO Sport System 2000 Slot Drain

NOT TO SCALE

SPORTSFIELD SPECIALTIES INC 05/23/13



**Synthetic Infill Turf to Synthetic Track Surface
 Non-Formed Full Encasement with "Field-Side" Ledge**

PROPRIETARY AND CONFIDENTIAL
 THE INFORMATION CONTAINED IN THIS
 DRAWING IS THE SOLE PROPERTY OF
 SPORTSFIELD SPECIALTIES INC. ANY
 REPRODUCTION IN PART OR AS A WHOLE
 WITHOUT THE WRITTEN PERMISSION OF
 SPORTSFIELD SPECIALTIES INC. IS
 PROHIBITED.



ACO Sport System 2000 Slot Drain

NOT TO SCALE

SPORTSFIELD SPECIALTIES INC 05/23/13



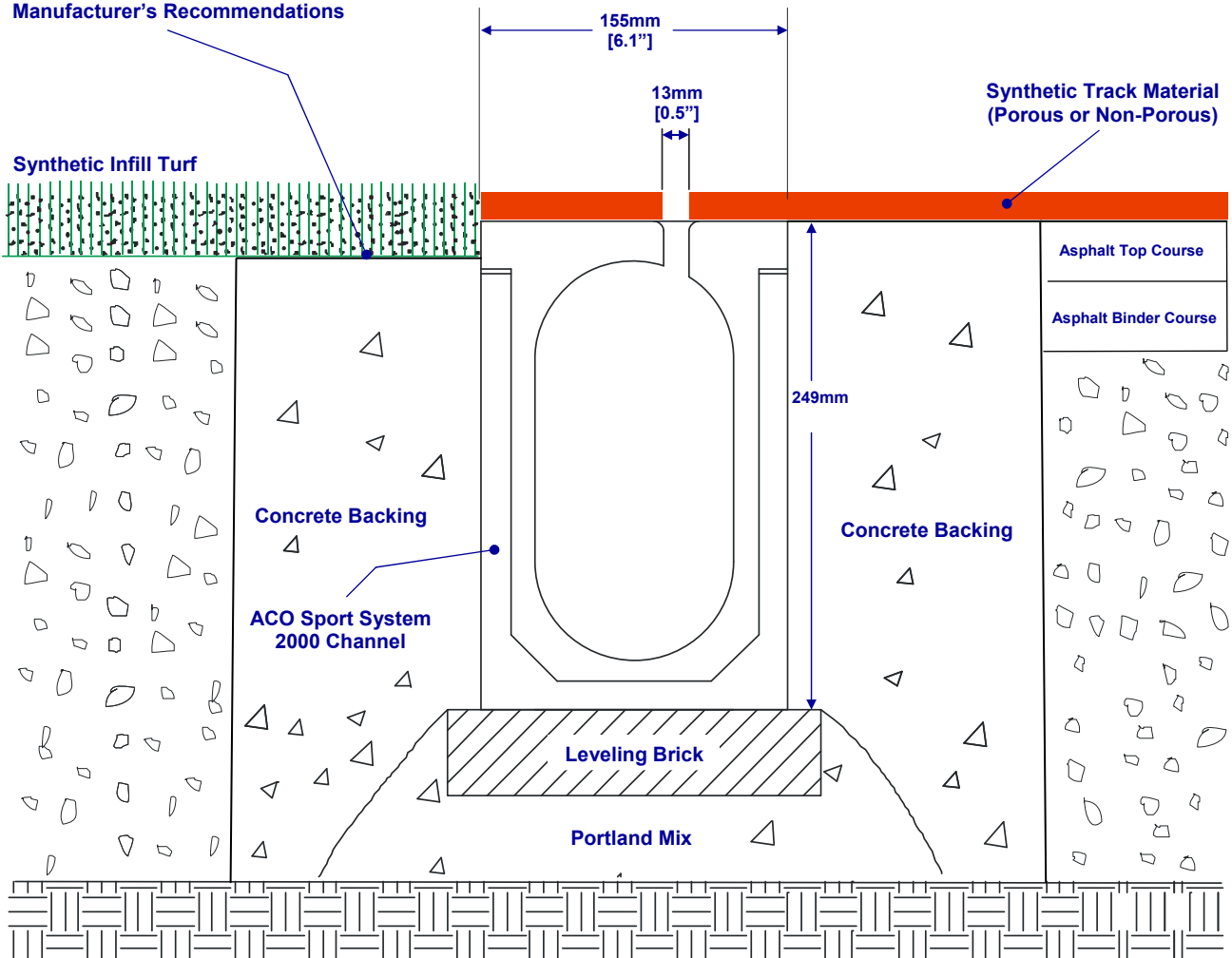
Synthetic Infill Turf to be Adhered to Concrete Ledge per Synthetic Infill Turf Manufacturer's Recommendations

Synthetic Infill Turf

155mm
[6.1"]

13mm
[0.5"]

Synthetic Track Material
(Porous or Non-Porous)



Asphalt Top Course

Asphalt Binder Course

249mm

Concrete Backing

Concrete Backing

ACO Sport System
2000 Channel

Leveling Brick

Portland Mix

**Synthetic Infill Turf to Synthetic Track Surface
Fully Formed Concrete Encasement with "Field-Side" Ledge**

PROPRIETARY AND CONFIDENTIAL
 THE INFORMATION CONTAINED IN THIS
 DRAWING IS THE SOLE PROPERTY OF
 SPORTSFIELD SPECIALTIES INC. ANY
 REPRODUCTION IN PART OR AS A WHOLE
 WITHOUT THE WRITTEN PERMISSION OF
 SPORTSFIELD SPECIALTIES INC. IS
 PROHIBITED.

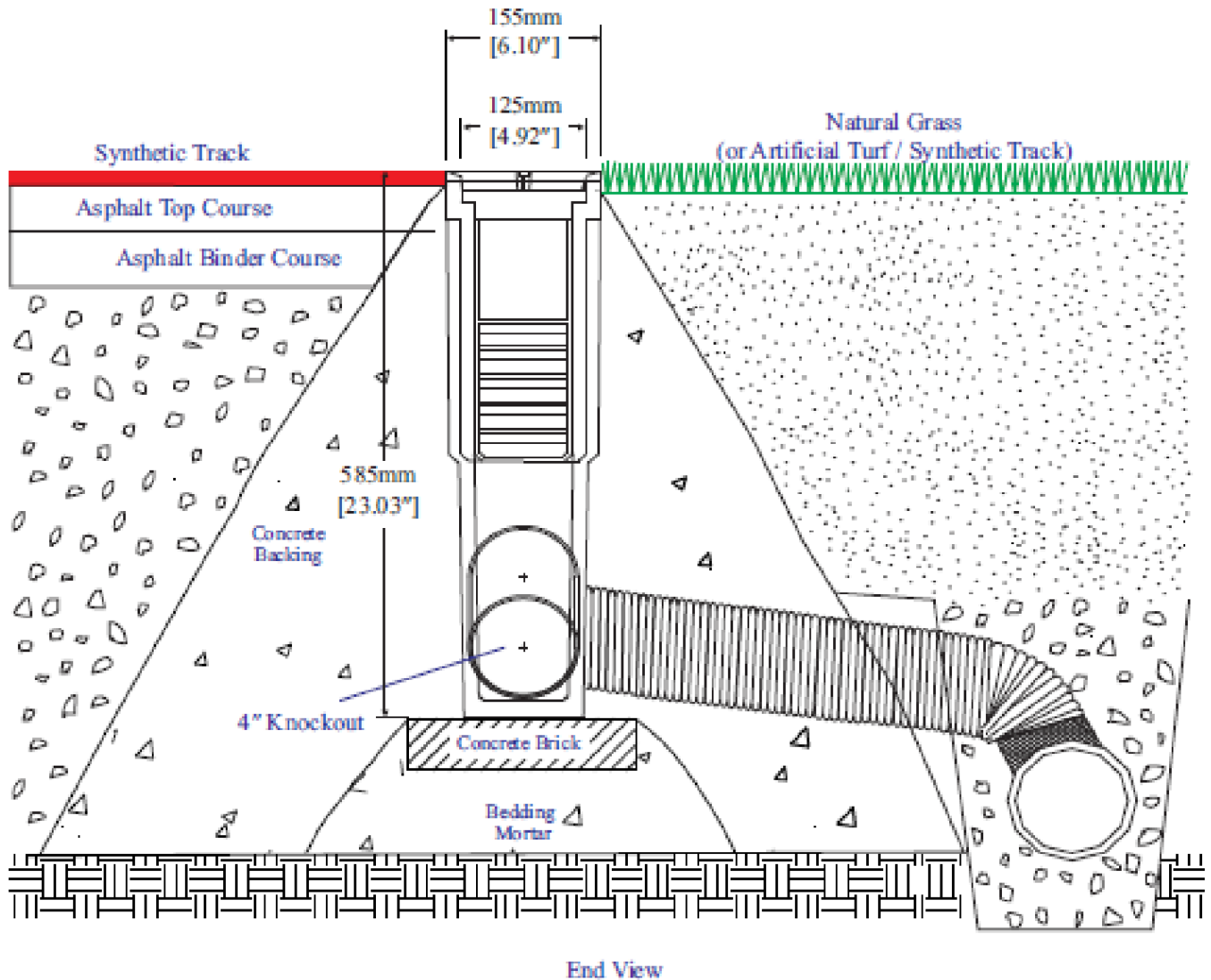


ACO Sport System 2000 Slot Drain

NOT TO SCALE

SPORTSFIELD SPECIALTIES INC 05/23/13

ACO SPORT 



PROPRIETARY AND CONFIDENTIAL

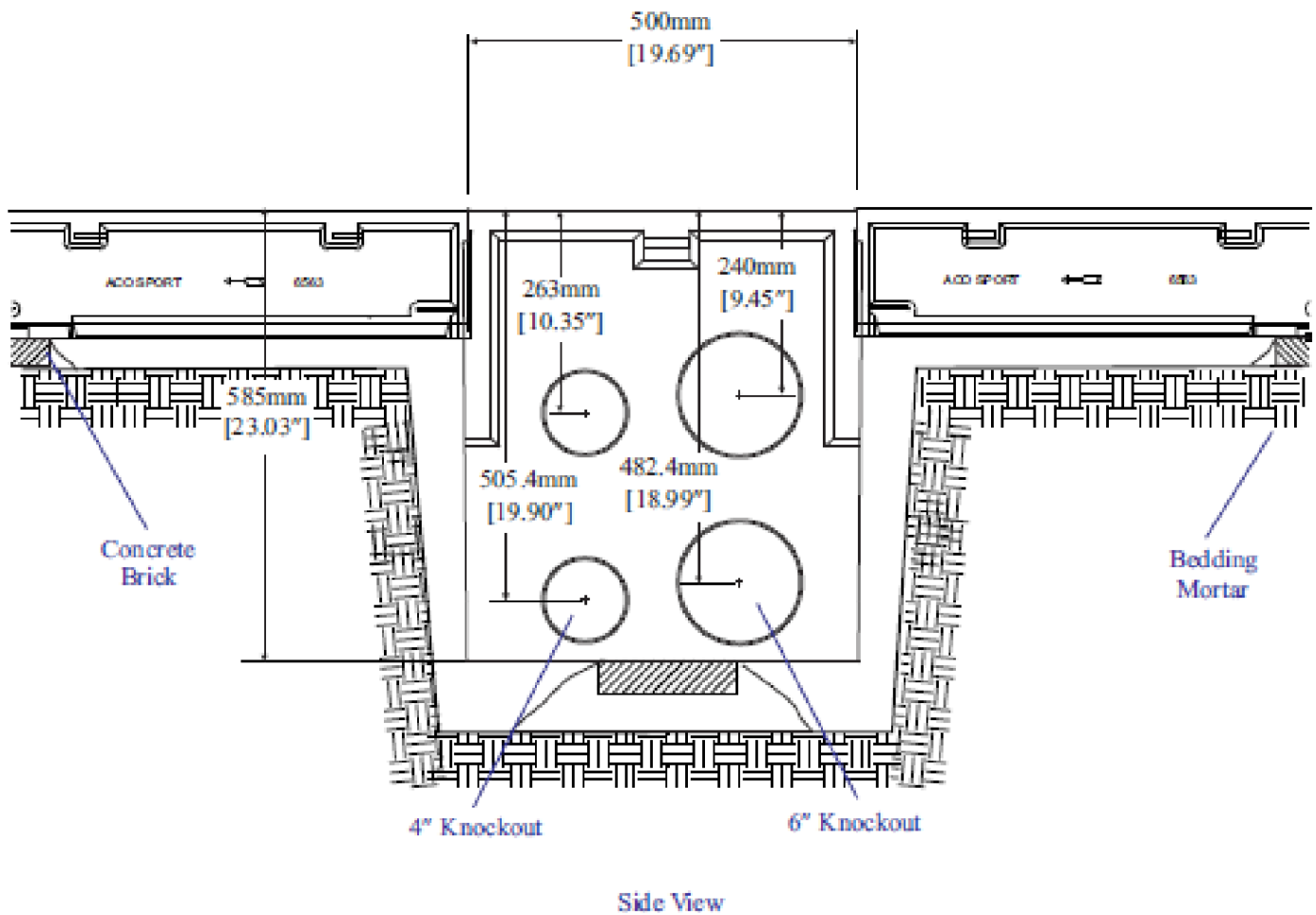
THE INFORMATION CONTAINED IN THIS DRAWING IS THE SOLE PROPERTY OF SPORTSFIELD SPECIALTIES INC. ANY REPRODUCTION IN PART OR AS A WHOLE WITHOUT THE WRITTEN PERMISSION OF SPORTSFIELD SPECIALTIES INC. IS PROHIBITED.

**ACO SPORT SYSTEM 2000
CATCH BASIN - END VIEW**

NOT TO SCALE

SPORTSFIELD SPECIALTIES INC 07272012

ACO SPORT 

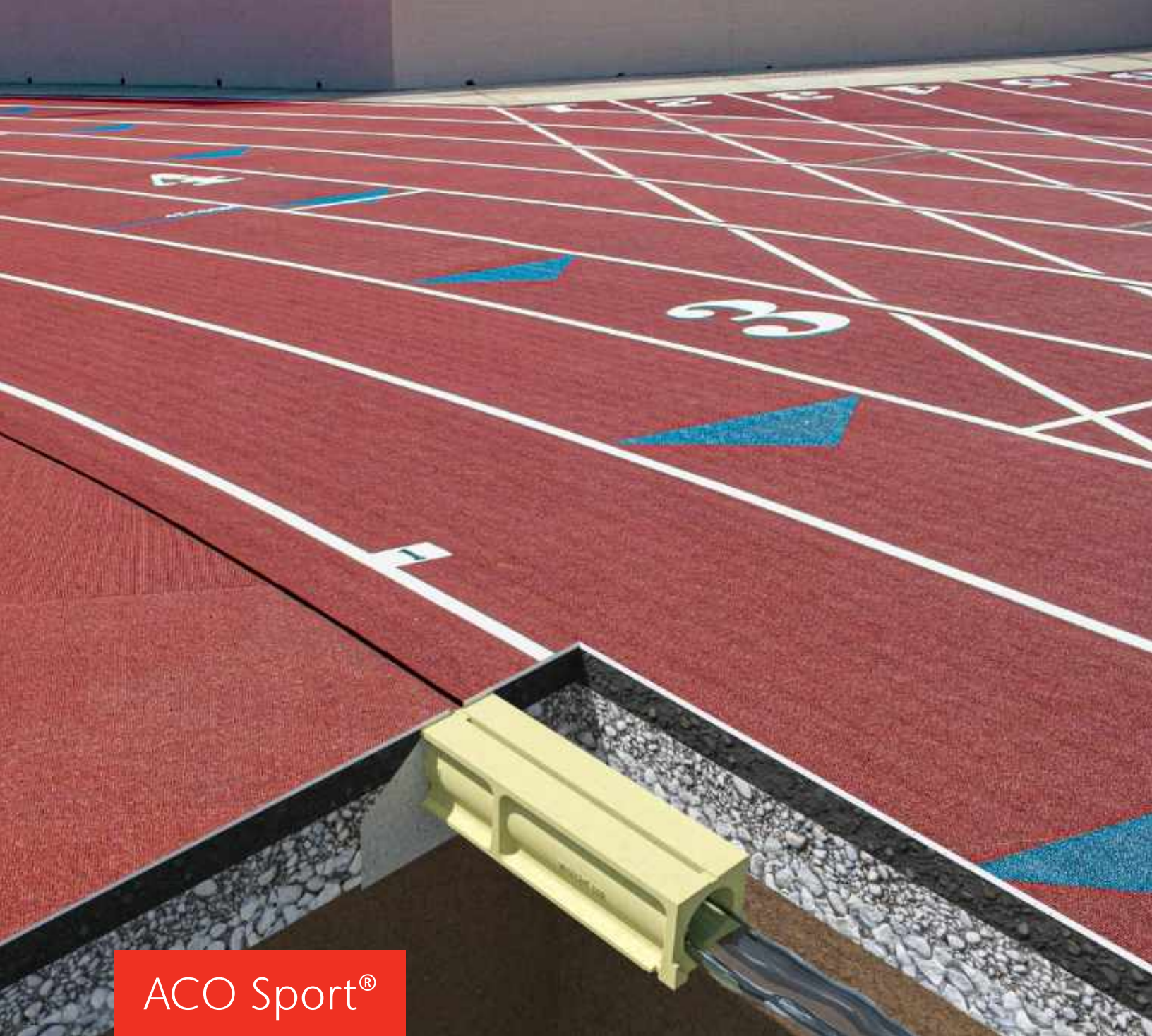


PROPRIETARY AND CONFIDENTIAL
 THE INFORMATION CONTAINED IN THIS DRAWING IS THE SOLE PROPERTY OF SPORTSFIELD SPECIALTIES INC. ANY REPRODUCTION IN PART OR AS A WHOLE WITHOUT THE WRITTEN PERMISSION OF SPORTSFIELD SPECIALTIES INC. IS PROHIBITED.

**ACO SPORT SYSTEM 2000
 CATCH BASIN - SIDE VIEW**

NOT TO SCALE

SPORTSFIELD SPECIALTIES INC 07272012



ACO Sport®

System 3000

Slotted Running Track and Field Drainage System
Ideal for School Tracks



ACO. creating

the future of drainage

The ACO Group

Founded in 1946, the ACO Group is a world leader in drainage technology. Climate change sets us a challenge to react effectively with innovative solutions to new environmental conditions. With its integrated approach, ACO provides systems for professional surface water drainage, efficient cleaning, and the controlled discharge or reuse of water.

Products include:

- surface water drainage
- oil, sediment, heavy metal and grease separators
- detention, retention and infiltration systems
- flow control release products

Major innovative strengths of the ACO Group are its continuous research & development and technical expertise in the processing of polymer concrete, plastics, cast iron, stainless steel and cement concretes.

ACO in the USA

ACO, Inc. was founded in Ohio, 1978. Since then, continuous growth in the USA has seen the company expand and build manufacturing facilities in Mentor, OH, and Casa Grande, AZ. The company has further locations in Phoenix, AZ, and Fort Mill, SC. Today, ACO USA has sales personnel across the country and an extensive distribution network through all states, the Caribbean and Central America.

ACO Sport®

ACO Sport products were first used at the 1972 Munich Olympic Stadium. They are designed to maximize the functionality of the athletic facility without disrupting the performance of athletes and players. Products are available to meet the requirements of any athletic arena from high school fields to Olympic Stadiums.



ACO Sport System 3000

Sporting facilities use a wide variety of hard and soft surface materials. All outdoor venues should incorporate surface drainage to protect these surfaces. Running tracks are the most common use for System 3000. The system is supplied in straight and radiused channels with matching in-line catch basin to provide a continuous run around the entire running track.



System 3000 channels are ideal for use where synthetic track surface is used on both sides of the drain - such as curves of the track and high jump areas.

Popular applications include but are not limited to:

- College track & field
- High school track & field



Channels are available in 1 m (39.37") and 0.5 m (19.69") lengths and designed for use where a smooth transition from running track to sport field is required.

System 3000 Features & Benefits



Drainage Slot
0.5" ADA compliant drainage slot offset from the center of the channel



Polymer Concrete Surface
Exposed edges will not rust or discolor surrounding surfaces

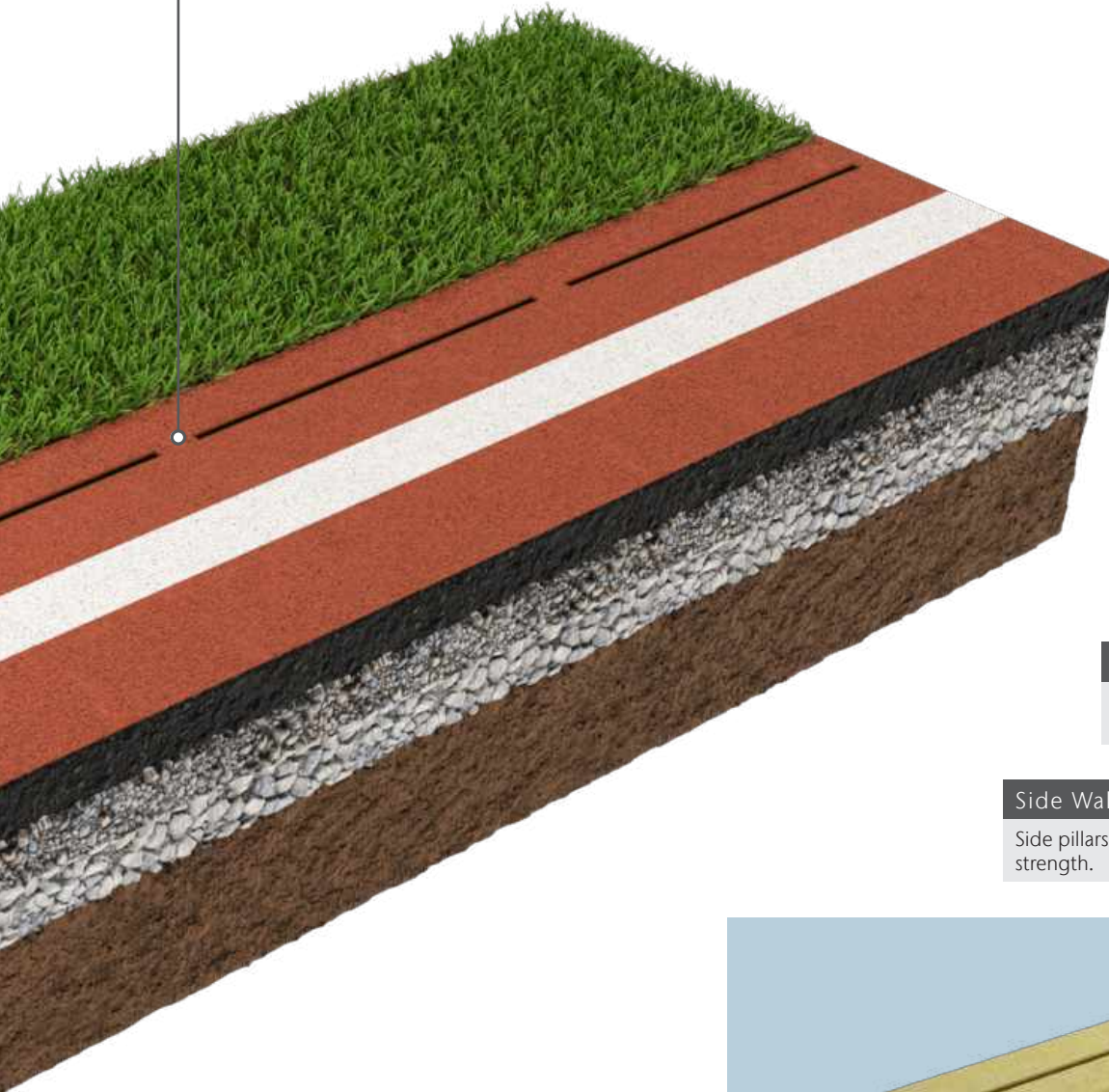


Interconnecting Profiles
Channels fit together easily and securely via linking end profiles



Slot Bridge

Bridges at the center and end of each channel's slot to prevent closure



Directional Arrows

Arrows to ensure proper channel connection.

Side Wall Profile

Side pillars provide additional strength.



Installation Device

Recess on channel for use of installation device.

System 3000 Channels

	Part No.	Length in (mm)	Overall Depth in (mm)	Weight lbs
<p>Straight</p>	05657	39.37 (1000)	5.70 (146)	43.0
<p>Radius</p>	05658	39.37 (1000)	5.70 (146)	43.0

Catch Basin

	Part No.	Length in (mm)	Overall Depth in (mm)	Weight lbs
<p>In-line Catch Basin</p>	05625	21.80 (552)	20.80 (528)	62.0
<p>Polymer Concrete Cover</p>	05661	19.69 (500)	1.64 (42)	9.0
<p>Plastic Trash Bucket</p>	01498	17.60 (448)	-	1.1

ACO Sport Systems

Full Athletic Venue Coverage

System 7100

Safety Curb provides rubber topping that borders sports fields for containing loose surfacing such as sand, cinder, or clay in recreational parks and playgrounds.

System 2000/3000

Slotted channels provide discrete, unintrusive drainage for track and field arenas.

System 7200/7300

ACO's Modular Long Jump Pit Systems fulfill high school, college (NCAA), and international standards (IAAF).

Sand Traps prevent displaced sand from degrading surrounding track material.

System 4000

Grated channels are ideal for providing drainage around the perimeter of sports fields, courts, and bleachers.

ACO products support the ACO System Chain



Surface Water Management

- ACO Drain - Commercial Trench Drains
- ACO Infrastructure - Heavy Duty Drainage
- ACO Sport - Athletic Venue Drainage
- ACO StormBrixx - Geocellular Tanks
- ACO Aquaduct - Custom Drainage
- ACO Environment - Solid & Oil Separators
- ACO Wildlife - Guidance & Passage
- ACO Self - Garden & Landscape Drainage
- ACO UtilityDuct - Linear Ducting System

Building Drainage

- ACO Stainless - Stainless Trench Drains
- ACO BoxDrain - Stainless Floor Troughs
- ACO FloorDrain - Stainless Point Drains
- ACO Pipe - Stainless Push-fit Piping
- ACO ShowerDrain - Bathroom Drainage

ACO, Inc.

West Sales Office
825 W. Beechcraft Street
Casa Grande, AZ 85122
Tel: (520) 421-9988
Toll-Free: (888) 490-9552
Fax: (520) 421-9899

Northeast Sales Office
9470 Pinecone Drive
Mentor, OH 44060
Tel: (440) 639-7230
Toll-Free: (800) 543-4764
Fax: (440) 639-7235

Southeast Sales Office
4211 Pleasant Road
Fort Mill, SC 29708
Toll-Free: (800) 543-4764
Fax: (803) 802-1063

info@acousa.com
www.acousa.com

© April 2021 ACO, Inc.

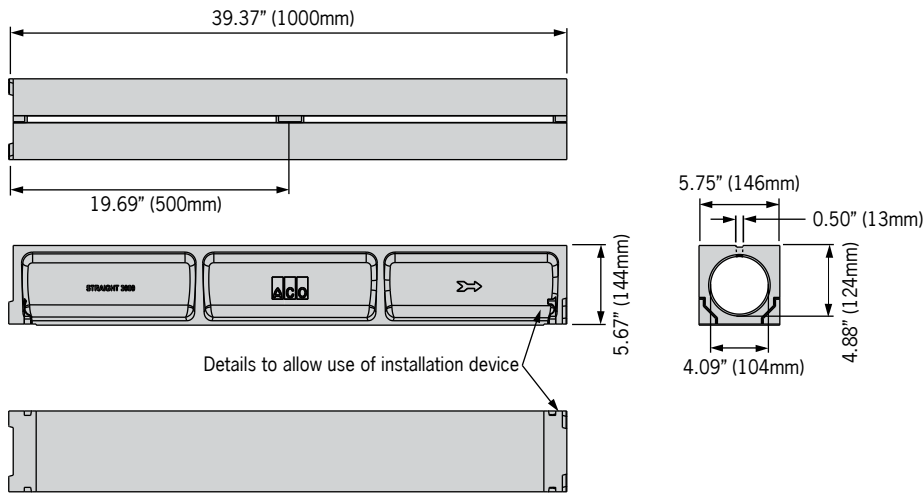
All reasonable care has been taken in compiling the information in this document. All recommendations and suggestions on the use of ACO products are made without guarantee since the conditions of use are beyond the control of the company. It is the customer's responsibility to ensure that each product is fit for its intended purpose and that the actual conditions of use are suitable. ACO, Inc. reserves the right to change products and specifications without notice.

Print #SP201

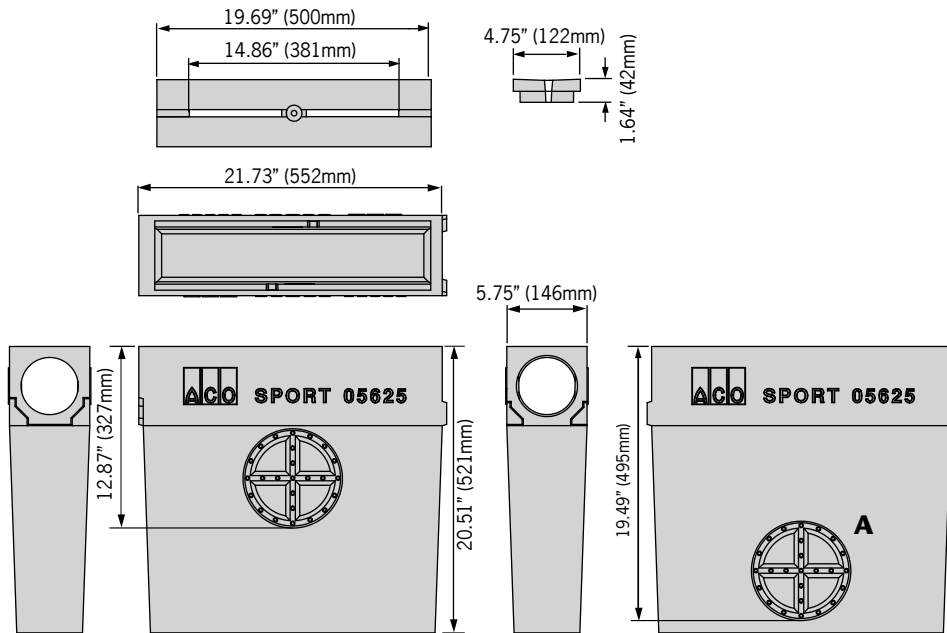
ACO. creating
the future of drainage



One meter channel



In-line catch basin



Holding capacity - 5.80 Gallons

Outlet flow rates

Outlet	Product	Outlet size (Sch. 40)	Invert Depth	GPM	CFS
A	In-line catch basin*	6" round	19.49	500	1.11

* In-line catch basin flow rate without trash bucket - using trash bucket reduces flow

ACO Specification Information



System 3000 Slot channel trench drain system

ACO Specification Information

Description	Part No	Invert Depth		Overall Depth		Wgt lbs
		inches	mm	inches	mm	
System 3000 Straight channel - 39.37" (1000mm)	05657	4.88	124	5.59	142	43.0
System 3000 Radiused channel (R36.5m) - 39.37" (1000mm)	05658	4.88	124	5.59	142	43.0
Catch basin						
System 3000 In-line catch basin - 21.75" (552mm)	05625	19.49	495	20.51	521	62.0
Polymer concrete catch basin cover - 19.69" (500mm)	05661	-	-	-	-	-
Series 900 plastic trash bucket	01498	-	-	-	-	-
Installation device (order one per channel plus one)	97477	-	-	-	-	2.8

Notes:

- For maximum hydraulic efficiency remove trash bucket from in-line catch basin

Part I - General	Part II - Product	Part III - Installation
<p>1.1 Related Work - Work specified in other sections includes but is not limited to: Excavation and backfill, cast-in-place concrete, and mechanical equipment.</p> <p>1.2 System Description - Modular trench drainage system manufactured from corrosion resistant polyester polymer concrete including interconnecting modular components.</p> <p>1.3 Submittals - Manufacturer will submit, when required, shop drawings showing schematic plan of total drainage system listing all parts being provided with exact center-line dimensions suitable for installation. Copies of the manufacturer's recommended method of installation shall be submitted for review.</p> <p>1.4 Project History - Manufacturer shall submit a list of installed projects, if required.</p> <p>1.5 Warranty - ACO provides a limited product warranty of one year based on installation according to manufacturer's installation instruction data.</p>	<p>2.1 Products - Manufacturer shall be ACO Polymer Products, Inc.</p> <p>2.2 Physical & Mechanical Characteristics</p> <ul style="list-style-type: none"> Overall width - 5.75 inches (146mm) Internal width - 4.09 inches (104mm) Unit depth - 5.67 inches (144mm) Unit length - 39.37 inches (1000mm) Compressive strength - 14,000 psi Flexural strength - 4,000 psi Water absorption rate - <0.1% by weight. 0.5" (13mm) inlet slot - ADA compliant to American Disabilities Act of 1990 Section 4.5.4 <p>2.3 Channel Profile - Each unit will feature a full radius in the trench bottom and male to female interconnecting ends. Units shall have horizontal cast-in anchoring features on outside walls to ensure maximum mechanical bond to surrounding bedding material. Each unit shall have a 0.5" (12.7mm) longitudinal inlet slot on the top surface.</p> <p>2.4 Radius Channels - Shall be manufactured to enable a radius of 36.5 meters, per IAAF guidelines.</p> <p>2.5 Catch Basins - Shall be manufactured from polymer concrete, be 21.75" (552mm) in length and include a trash bucket (optional) and removable polymer concrete cover.</p>	<p>3.1 Site Preparation - Excavate an area wide enough and deep enough to accommodate the ACO SPORT System 3000 channel, allowing a minimum of 4 inches (100mm) concrete encasement (recommended 4,000psi) on 3 sides to provide support on both sides as well as beneath channel. Top of channel must be evenly aligned to the surface of the surrounding slab. See installation section for haunch details for different loadings & pavement materials.</p> <p>3.2 Installation - Channel sections are installed from the outlet or catch basins. Insert channels from above to allow ends to interconnect. Channel sections shall be placed on brick, rebar basket, low slump concrete slurry, or with installation devices, to obtain correct finished elevation. Cutting will be made, if required, by masonry or concrete saw. Use tape or plastic to protect top surface of channel from concrete splash during concrete pour. Place concrete in a manner that will not dislodge the channels.</p> <p>3.3 Finishing and Clean-up - Following final set of concrete, remove protection covering the top of channel and thoroughly flush system to remove debris.</p> <p>3.4 Install in strict accordance with manufacturer's recommendations and drawings. Details available at www.ACOSport.us.</p>

ACO Polymer Products, Inc.

West Sales Office

825 W Beechcraft Street
 Casa Grande, AZ 85122
 Tel: (520) 421-9988
 Toll Free: (888) 490-9552
 Fax: (520) 421-9899

Northeast Sales Office

9470 Pinecone Drive
 Mentor, OH 44060
 Tel: (440) 639-7230
 Toll free: (800) 543-4764
 Fax: (440) 639-7235

Southeast Sales Office

4211 Pleasant Road
 Fort Mill, SC 29708
 Toll free: (800) 543-4764
 Fax: (803) 802-1063

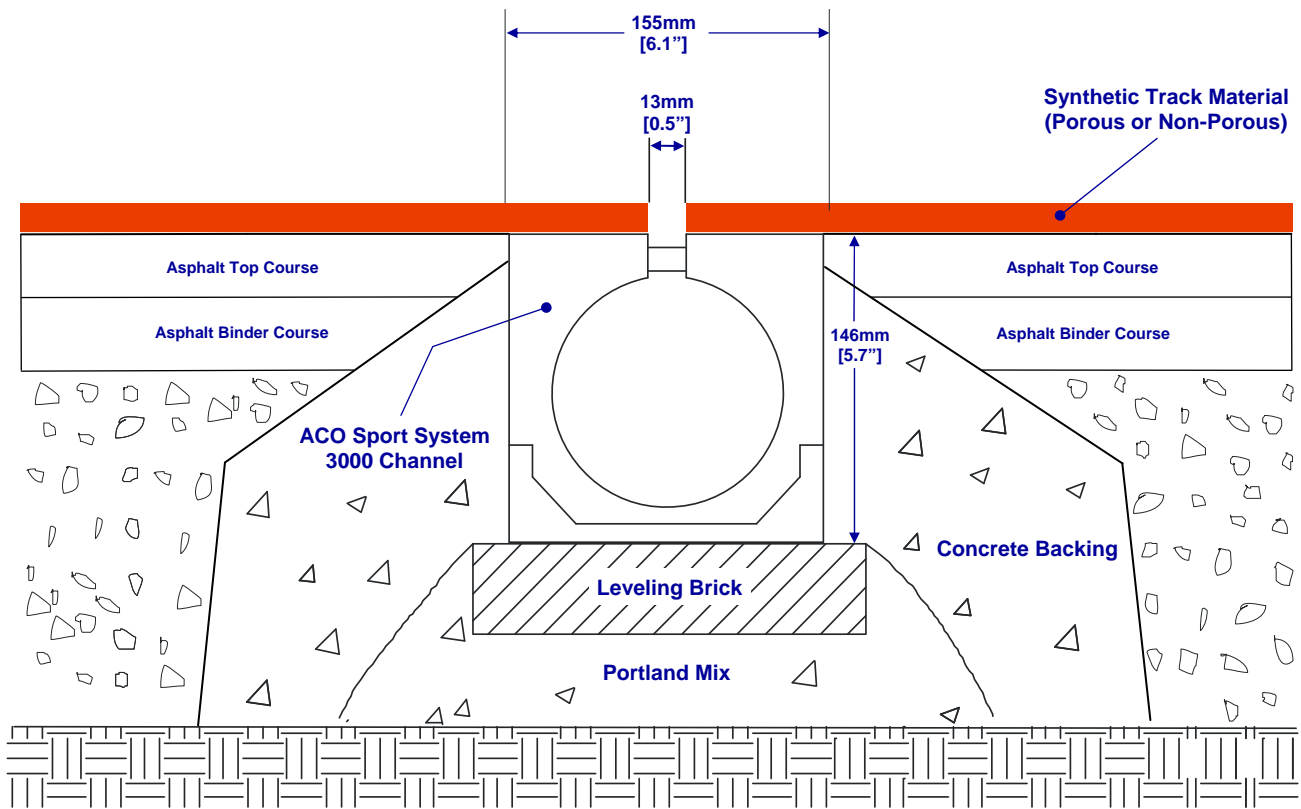
Follow us on



Electronic Contact:

info@ACOSport.us
www.ACOSport.us





**Synthetic Track Surface to Synthetic Track Surface
 Sloped Away Concrete Encasement**

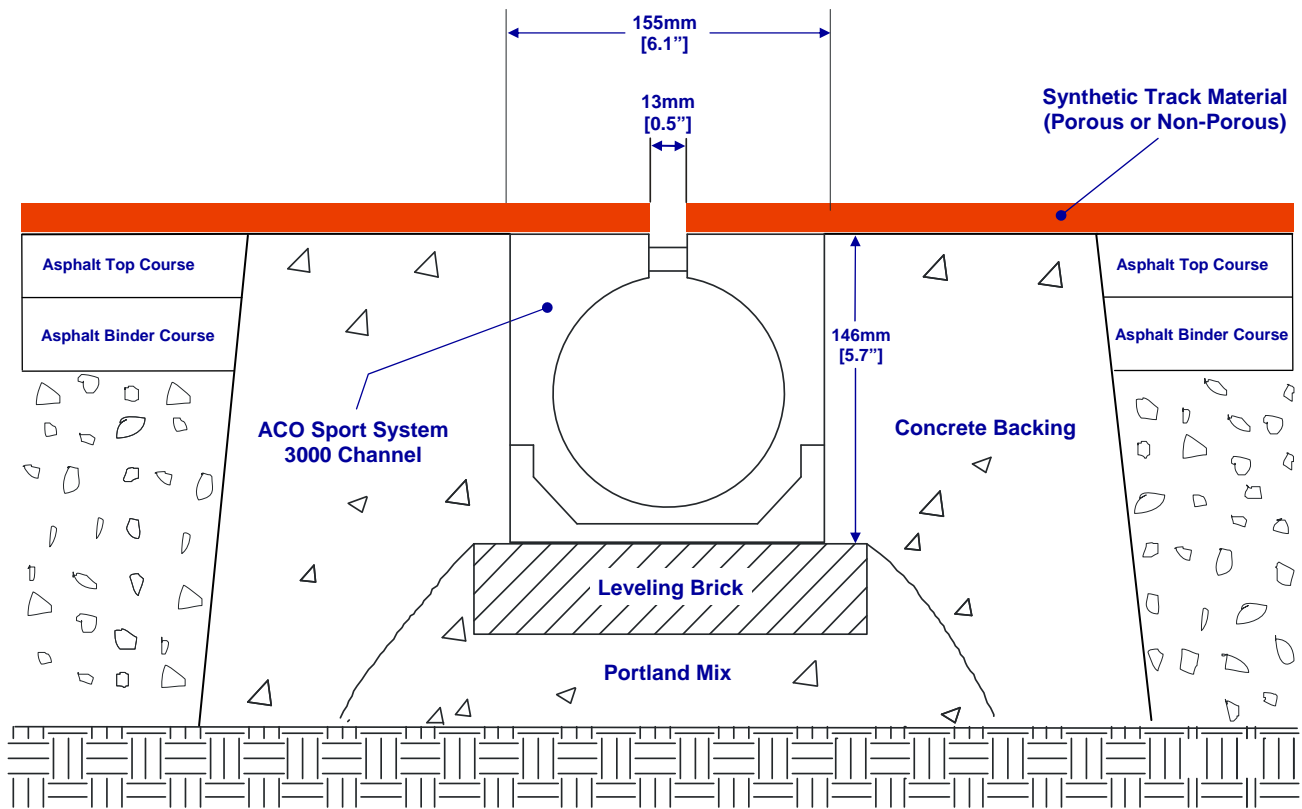
PROPRIETARY AND CONFIDENTIAL
 THE INFORMATION CONTAINED IN THIS
 DRAWING IS THE SOLE PROPERTY OF
 SPORTSFIELD SPECIALTIES INC. ANY
 REPRODUCTION IN PART OR AS A WHOLE
 WITHOUT THE WRITTEN PERMISSION OF
 SPORTSFIELD SPECIALTIES INC. IS
 PROHIBITED.



ACO Sport System 3000 Slot Drain

NOT TO SCALE

SPORTSFIELD SPECIALTIES INC 05/23/13



**Synthetic Track Surface to Synthetic Track Surface
 Non-Formed Full Concrete Encasement**

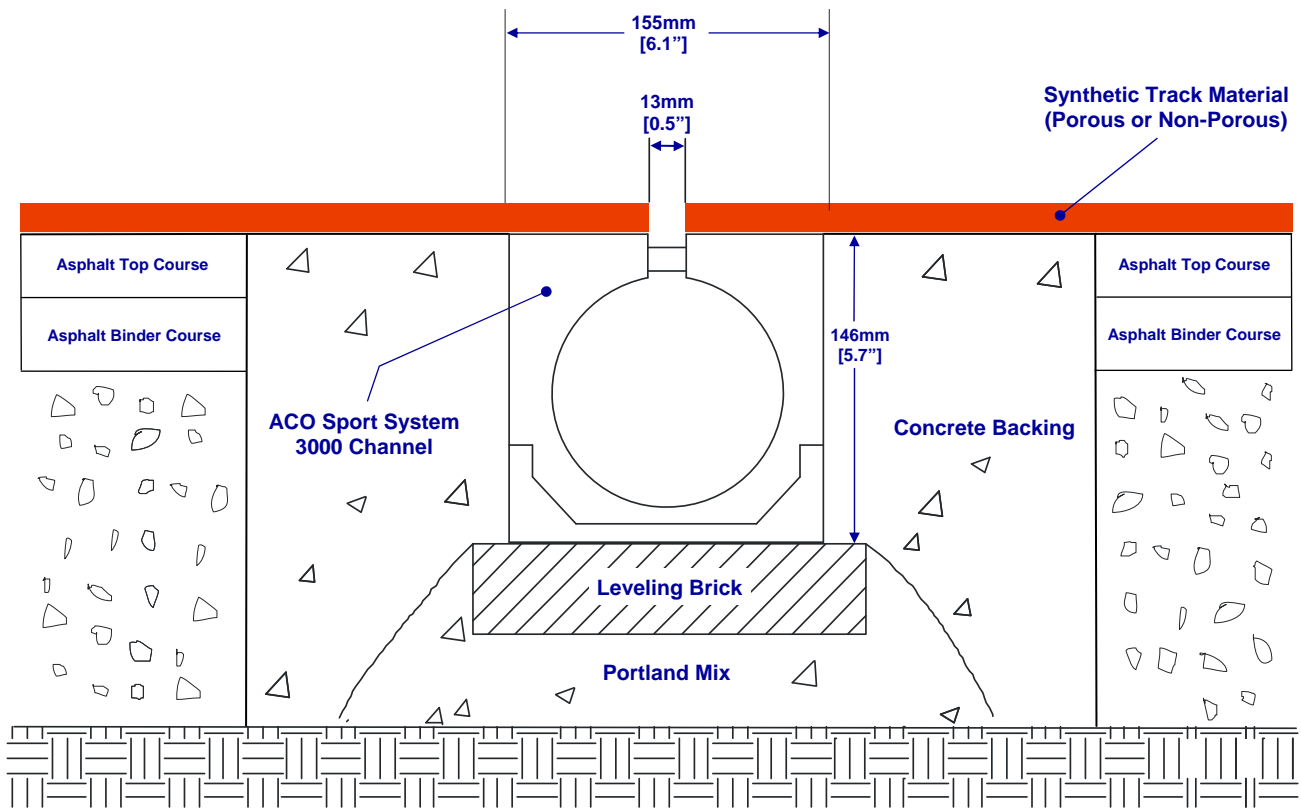
PROPRIETARY AND CONFIDENTIAL
 THE INFORMATION CONTAINED IN THIS
 DRAWING IS THE SOLE PROPERTY OF
 SPORTSFIELD SPECIALTIES INC. ANY
 REPRODUCTION IN PART OR AS A WHOLE
 WITHOUT THE WRITTEN PERMISSION OF
 SPORTSFIELD SPECIALTIES INC. IS
 PROHIBITED.



ACO Sport System 3000 Slot Drain

NOT TO SCALE

SPORTSFIELD SPECIALTIES INC 05/23/13



**Synthetic Track Surface to Synthetic Track Surface
 Fully Formed Concrete Encasement**

PROPRIETARY AND CONFIDENTIAL
 THE INFORMATION CONTAINED IN THIS
 DRAWING IS THE SOLE PROPERTY OF
 SPORTSFIELD SPECIALTIES INC. ANY
 REPRODUCTION IN PART OR AS A WHOLE
 WITHOUT THE WRITTEN PERMISSION OF
 SPORTSFIELD SPECIALTIES INC. IS
 PROHIBITED.



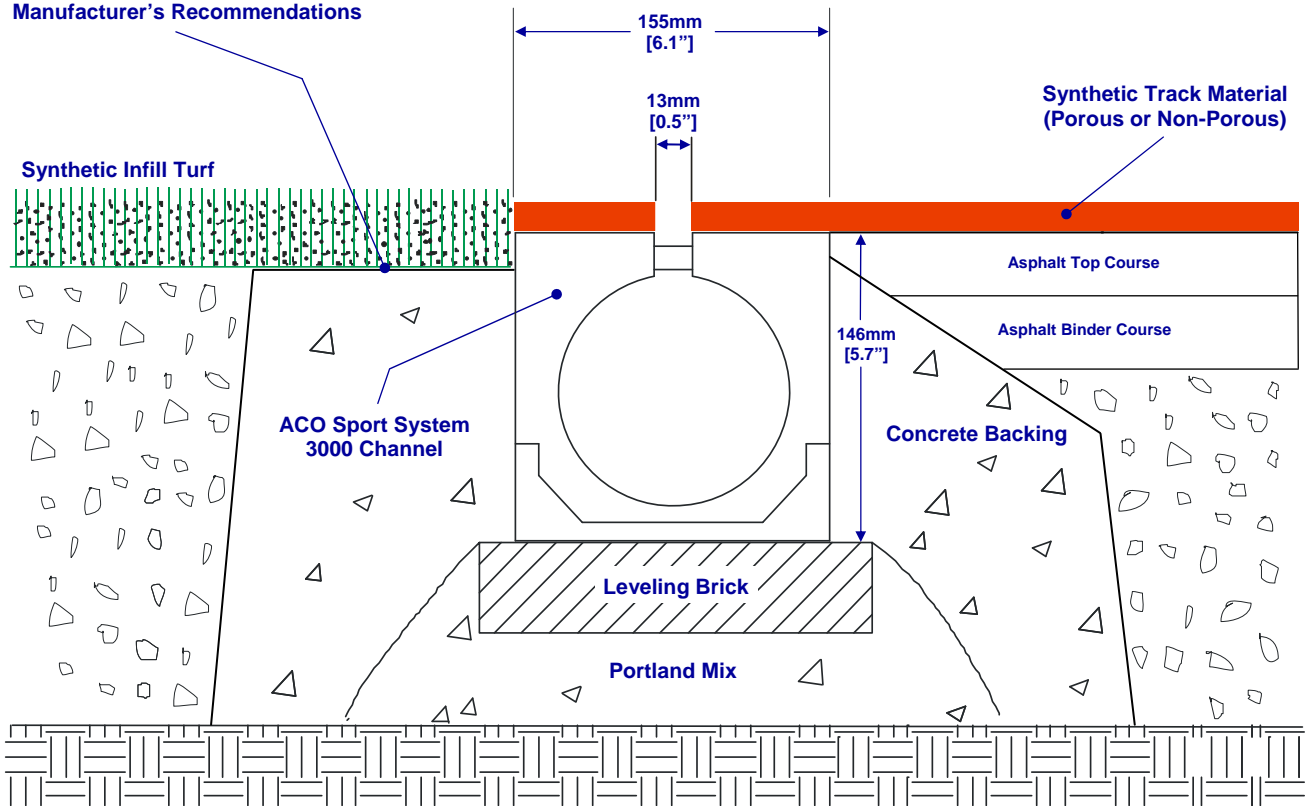
ACO Sport System 3000 Slot Drain

NOT TO SCALE

SPORTSFIELD SPECIALTIES INC 05/23/13



Synthetic Infill Turf to be Adhered to Concrete Ledge per Synthetic Infill Turf Manufacturer's Recommendations



Synthetic Infill Turf to Synthetic Track Surface
Non-Formed "Field-Side" Ledge & Sloped Away "Track-Side" Encasement

PROPRIETARY AND CONFIDENTIAL
 THE INFORMATION CONTAINED IN THIS DRAWING IS THE SOLE PROPERTY OF SPORTSFIELD SPECIALTIES INC. ANY REPRODUCTION IN PART OR AS A WHOLE WITHOUT THE WRITTEN PERMISSION OF SPORTSFIELD SPECIALTIES INC. IS PROHIBITED.



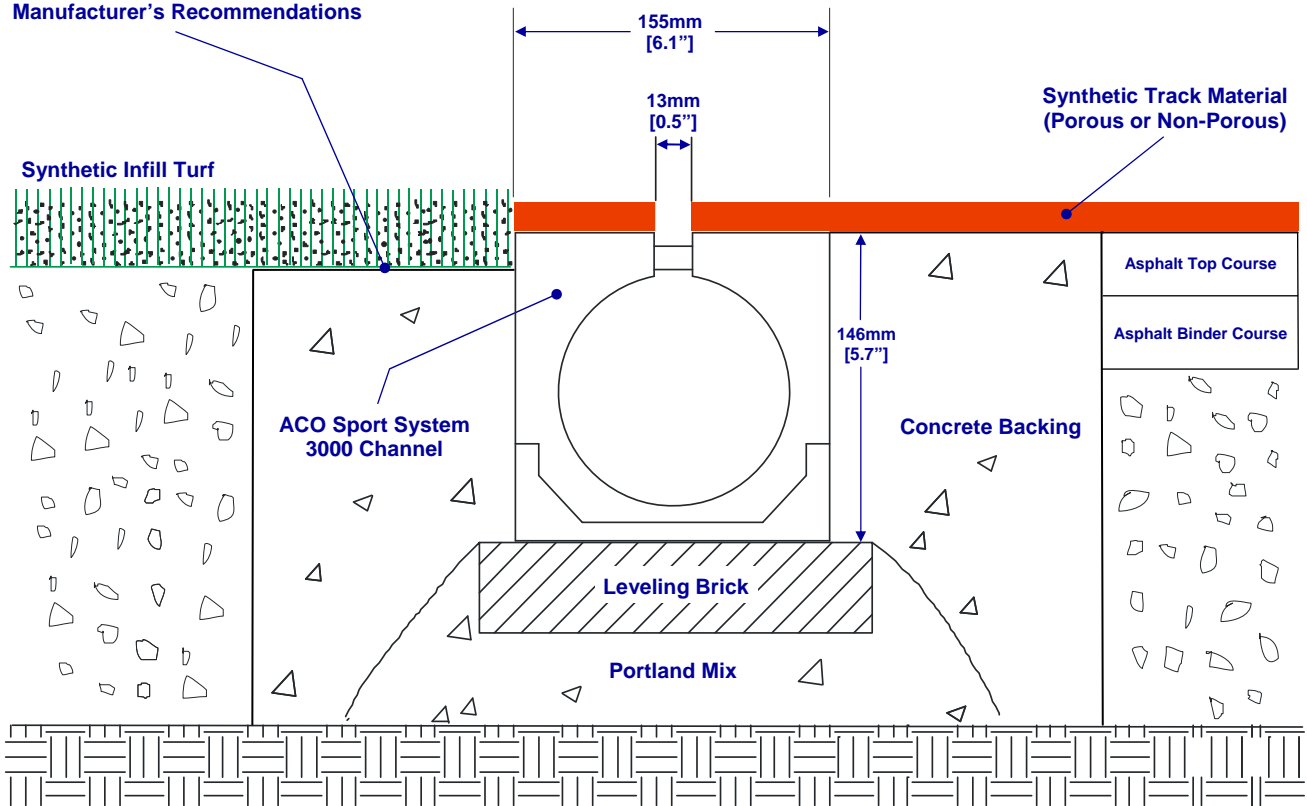
ACO Sport System 3000 Slot Drain

NOT TO SCALE

SPORTSFIELD SPECIALTIES INC 05/23/13



Synthetic Infill Turf to be Adhered to Concrete Ledge per Synthetic Infill Turf Manufacturer's Recommendations



**Synthetic Infill Turf to Synthetic Track Surface
 Fully Formed Concrete Encasement with "Field-Side" Ledge**

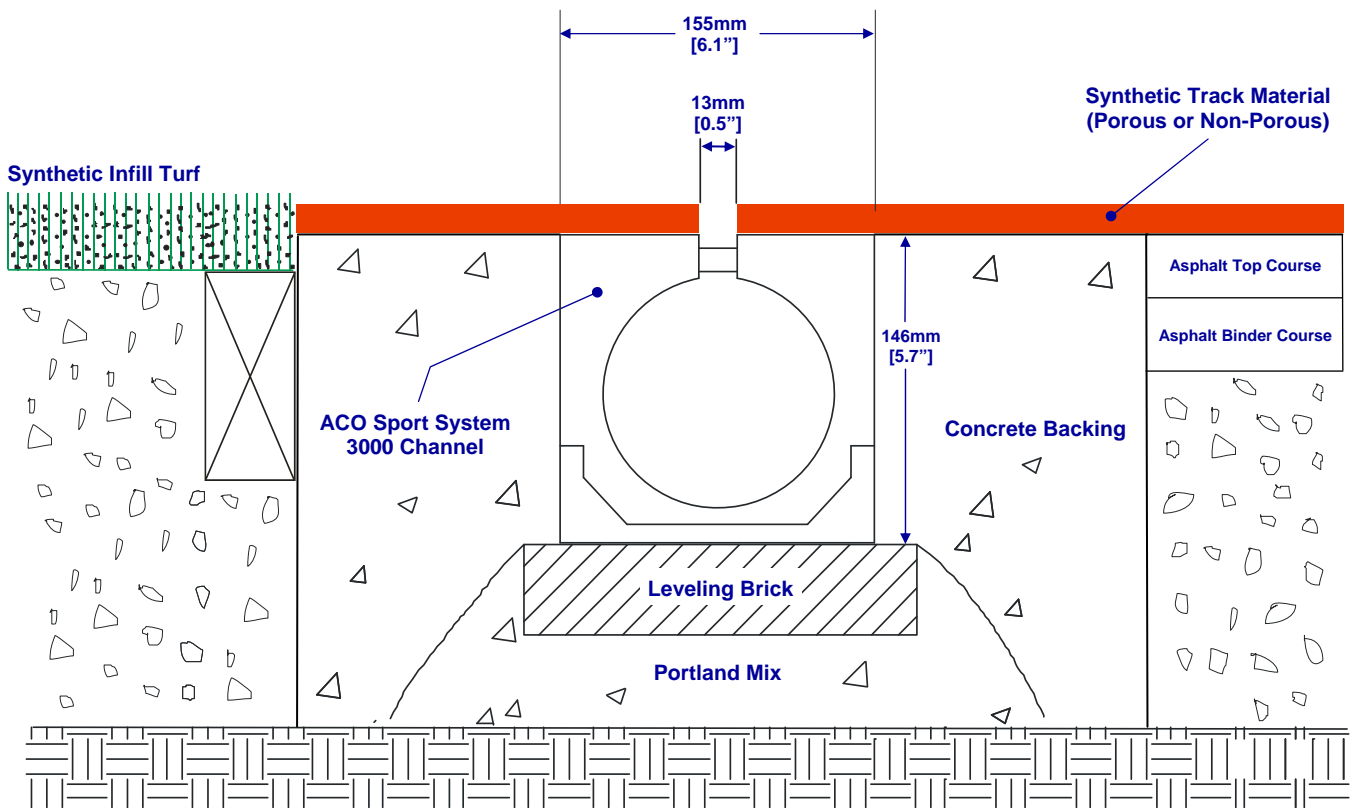
PROPRIETARY AND CONFIDENTIAL
 THE INFORMATION CONTAINED IN THIS DRAWING IS THE SOLE PROPERTY OF SPORTSFIELD SPECIALTIES INC. ANY REPRODUCTION IN PART OR AS A WHOLE WITHOUT THE WRITTEN PERMISSION OF SPORTSFIELD SPECIALTIES INC. IS PROHIBITED.



ACO Sport System 3000 Slot Drain

NOT TO SCALE

SPORTSFIELD SPECIALTIES INC 05/23/13



**Synthetic Infill Turf to Synthetic Track Surface
 Fully Formed Concrete Encasement with "Field-Side" Nailer**

PROPRIETARY AND CONFIDENTIAL
 THE INFORMATION CONTAINED IN THIS
 DRAWING IS THE SOLE PROPERTY OF
 SPORTSFIELD SPECIALTIES INC. ANY
 REPRODUCTION IN PART OR AS A WHOLE
 WITHOUT THE WRITTEN PERMISSION OF
 SPORTSFIELD SPECIALTIES INC. IS
 PROHIBITED.

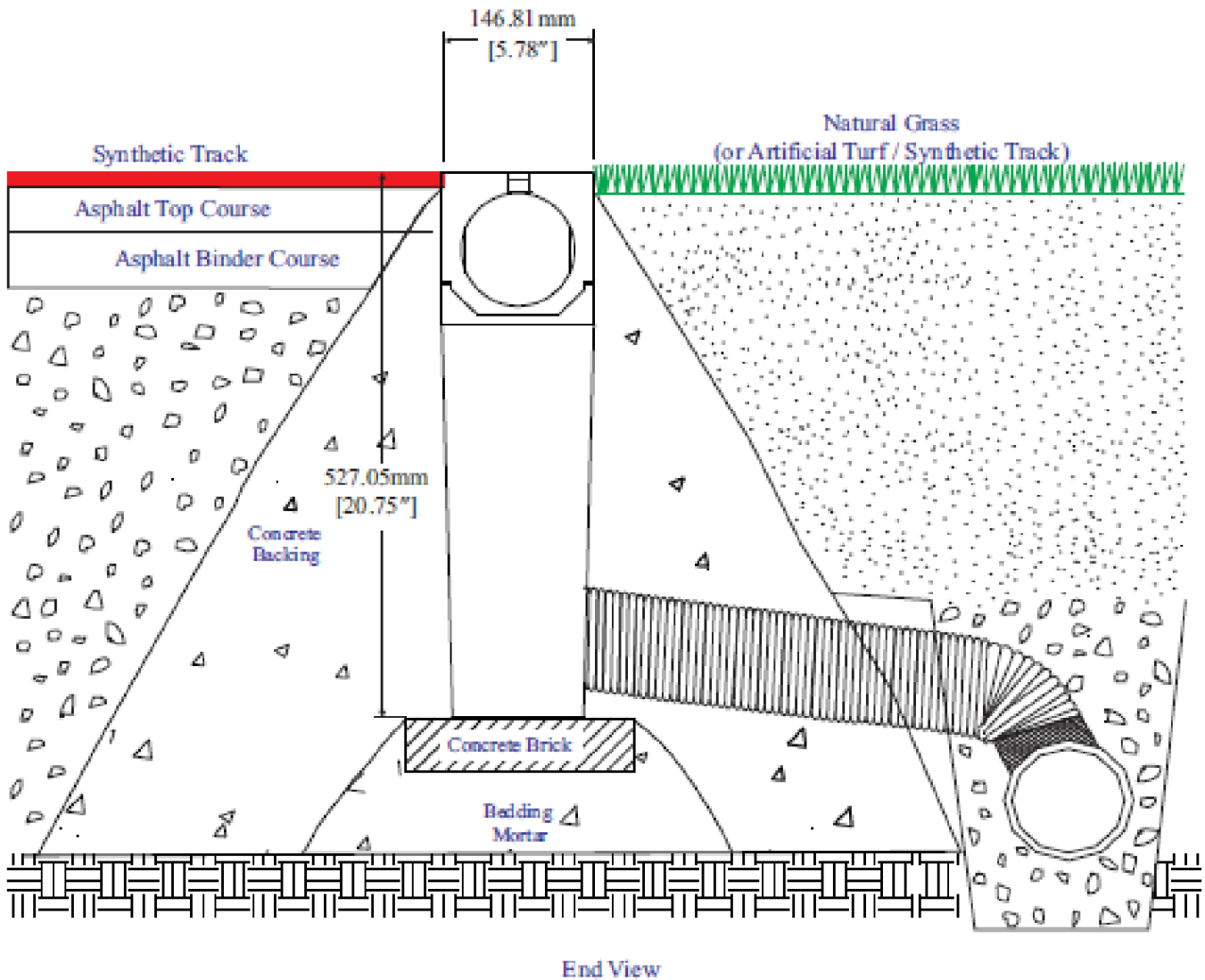


ACO Sport System 3000 Slot Drain

NOT TO SCALE

SPORTSFIELD SPECIALTIES INC 05/23/13

ACO SPORT



PROPRIETARY AND CONFIDENTIAL

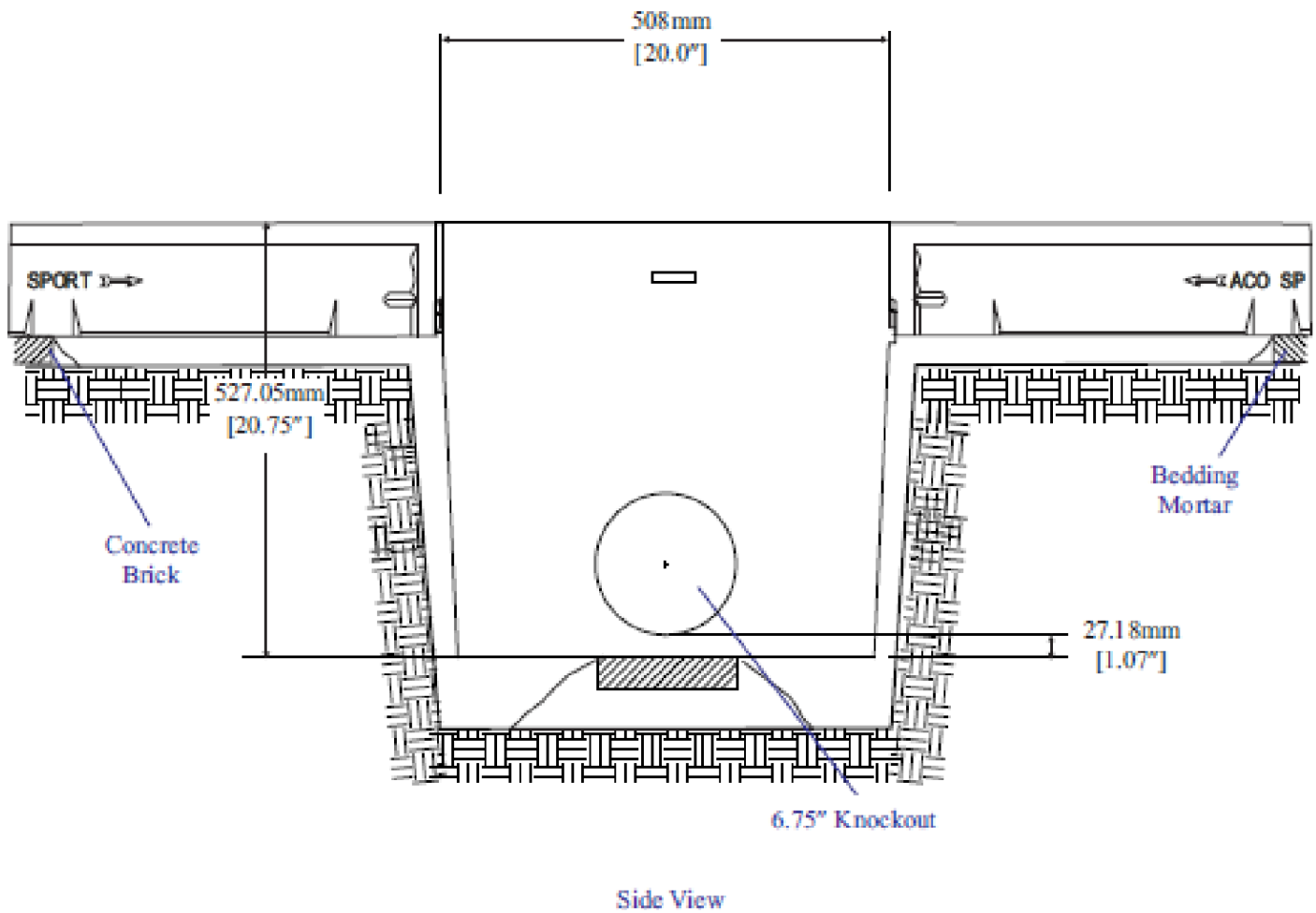
THE INFORMATION CONTAINED IN THIS DRAWING IS THE SOLE PROPERTY OF SPORTSFIELD SPECIALTIES INC. ANY REPRODUCTION IN PART OR AS A WHOLE WITHOUT THE WRITTEN PERMISSION OF SPORTSFIELD SPECIALTIES INC. IS PROHIBITED.

**ACO SPORT SYSTEM 3000
 CATCH BASIN - END VIEW**

NOT TO SCALE

SPORTSFIELD SPECIALTIES INC 07302012

ACO SPORT 



PROPRIETARY AND CONFIDENTIAL

THE INFORMATION CONTAINED IN THIS DRAWING IS THE SOLE PROPERTY OF SPORTSFIELD SPECIALTIES INC. ANY REPRODUCTION IN PART OR AS A WHOLE WITHOUT THE WRITTEN PERMISSION OF SPORTSFIELD SPECIALTIES INC. IS PROHIBITED.

**ACO SPORT SYSTEM 3000
 CATCH BASIN - SIDE VIEW**

NOT TO SCALE

SPORTSFIELD SPECIALTIES INC 07302012



ACO Sport®

System 4000

Grated Drainage System

Ideal for Sports Fields, Courts, Running Tracks & Football Fields



ACO. creating

the future of drainage

The ACO Group

Founded in 1946, the ACO Group is a world leader in drainage technology. Climate change sets us a challenge to react effectively with innovative solutions to new environmental conditions. With its integrated approach, ACO provides systems for professional surface water drainage, efficient cleaning, and the controlled discharge or reuse of water.

Products include:

- surface water drainage
- oil, sediment, heavy metal and grease separators
- detention, retention and infiltration systems
- flow control release products

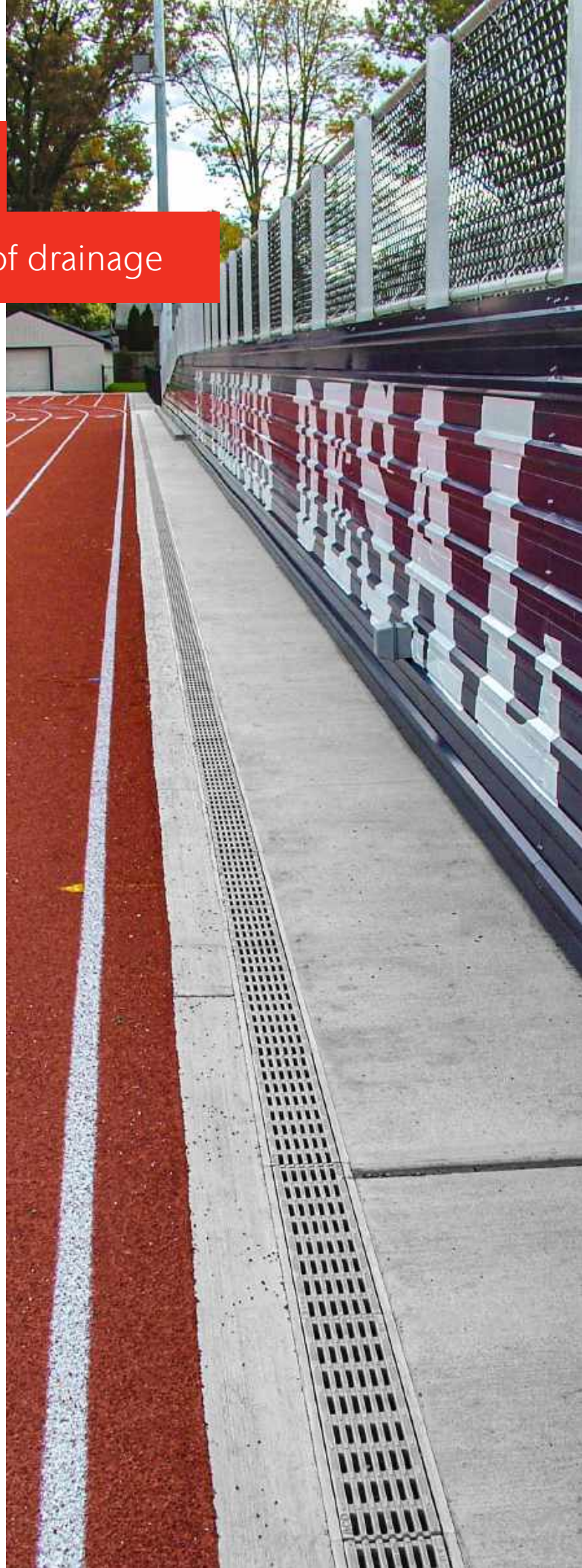
Major innovative strengths of the ACO Group are its continuous research & development and technical expertise in the processing of polymer concrete, plastics, cast iron, stainless steel and cement concretes.

ACO in the USA

ACO, Inc. was founded in Ohio, 1978. Since then, continuous growth in the USA has seen the company expand and build manufacturing facilities in Mentor, OH, and Casa Grande, AZ. The company has further locations in Phoenix, AZ, and Fort Mill, SC. Today, ACO USA has sales personnel across the country and an extensive distribution network through all states, the Caribbean and Central America.

ACO Sport®

ACO Sport products were first used at the 1972 Munich Olympic Stadium. They are designed to maximize the functionality of the athletic facility without disrupting the performance of athletes and players. Products are available to meet the requirements of any athletic arena from high school fields to Olympic Stadiums.



ACO Sport System 4000

Sporting facilities use a wide variety of hard and soft surface materials. All external venues should incorporate surface drainage to protect these surfaces.



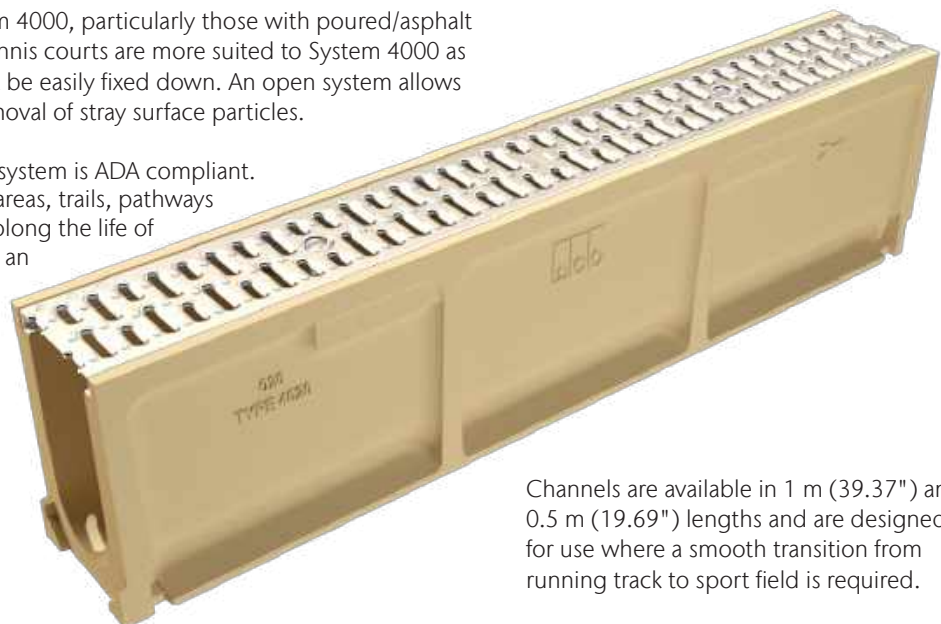
System 4000 is available as a straight channel only. System 2000 radius channels can be used in conjunction with System 4000 open channels if the track requirement is for slotted channels on the curves and grated channels on the straights. 0.5 m channels can be used to create a smoother looking radius. To avoid gaps between channels, miter cut the end. For full details on creating a radius with straight channels, contact ACO.

Popular applications include but are not limited to:

- Sports field edges
- Hard-surface courts (tennis, badminton, etc.)
- Track & field surfaces
- Recreation areas & playgrounds

Running tracks can utilize System 4000, particularly those with poured/asphalt surfaces. Team sport facilities/tennis courts are more suited to System 4000 as surfaces may be loose or cannot be easily fixed down. An open system allows easy access for cleaning and removal of stray surface particles.

Gratings are available to ensure system is ADA compliant. Effective drainage of recreation areas, trails, pathways and any hard paved area will prolong the life of the paving material and provide an all-weather, user-friendly environment.



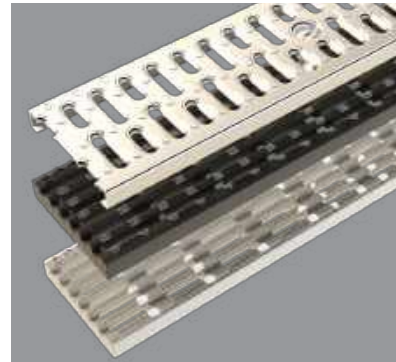
Channels are available in 1 m (39.37") and 0.5 m (19.69") lengths and are designed for use where a smooth transition from running track to sport field is required.

System 4000 Features & Benefits



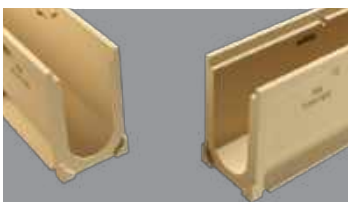
Open Channels

Grated channels allow for high intake and easy maintenance. Constant depth and sloping channels are available for increased hydraulic capacity.



Choice of Grates

Perpendicular slotted pattern or ADA compliant drainage slot are available in different materials.



Interconnecting Profiles

Channels fit together easily and securely via linking end profiles.



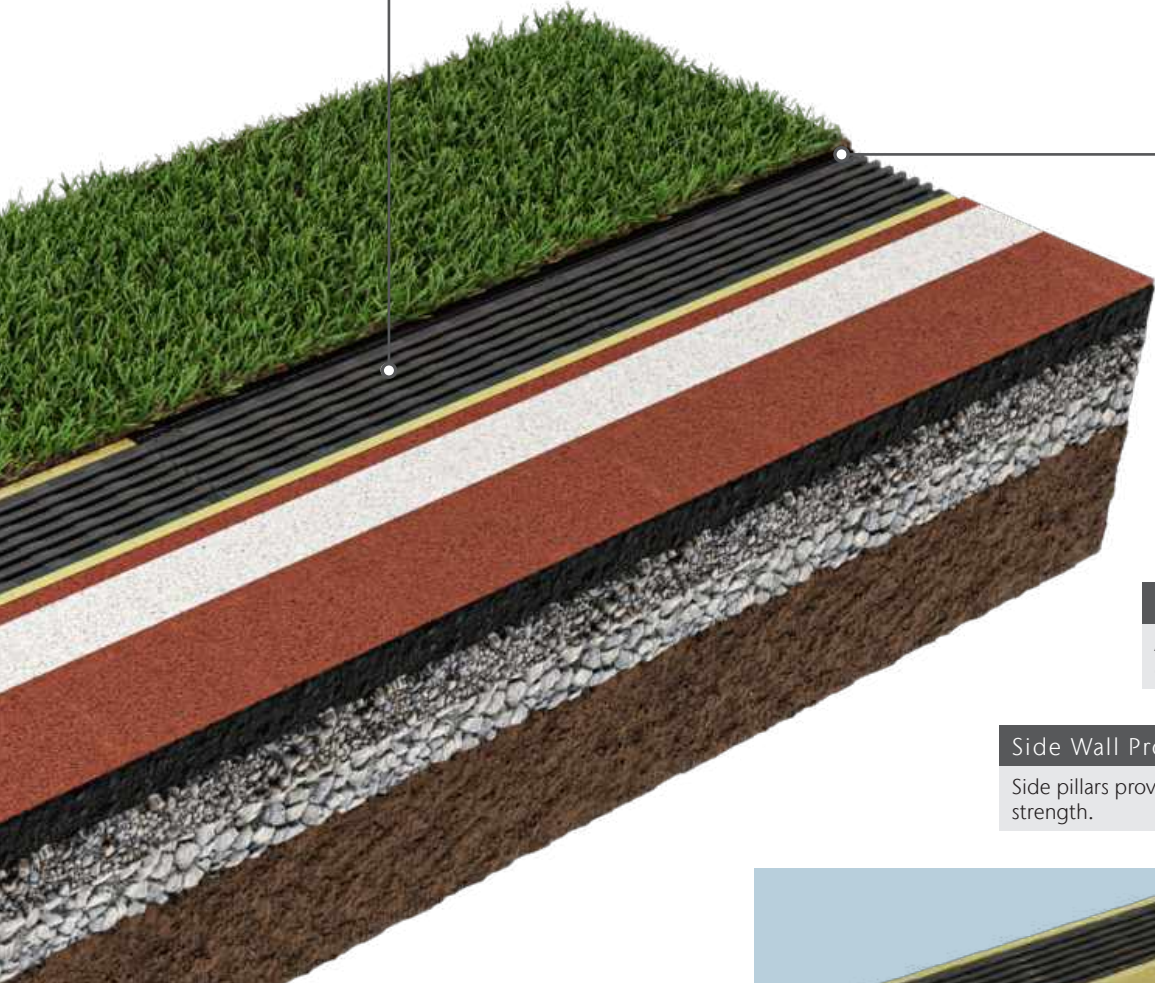
QuickLok®

Grates are secured by a patented, push-fit, boltless locking system, for quick installation and grate removal.



Safety Edge

An optional cellular rubber top provides a soft, safe edge along the field to help reduce injury from impact.

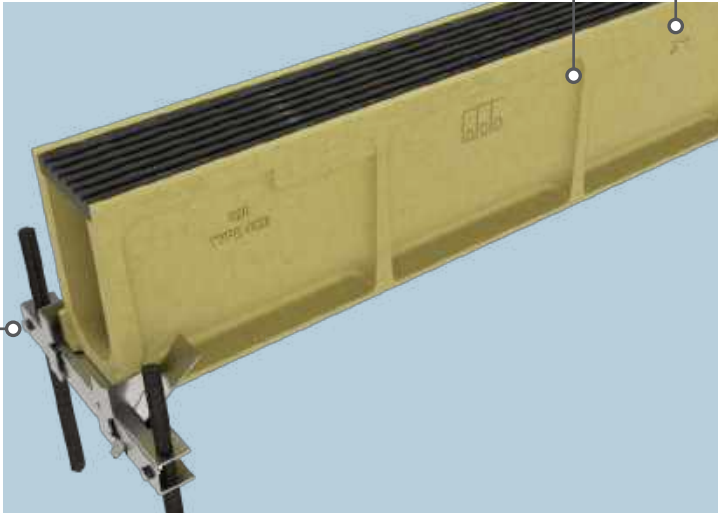


Directional Arrows

Arrows to ensure proper channel connection.

Side Wall Profile

Side pillars provide additional strength.



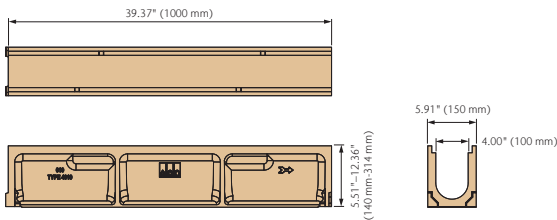
Installation Device

Recess on channel for use of installation device.

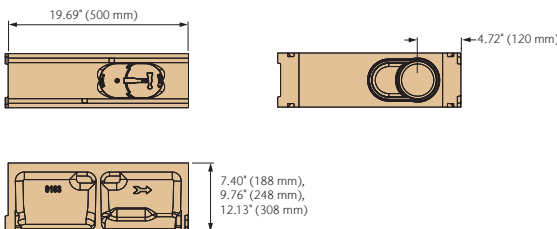
System 4000 Channels

	Part No.	Length in (mm)	Overall Depth in (mm)	Weight lbs
4000-1 Sloped Channel	138001	39.37 (1000)	5.65 (143)	32.0
4002 Constant Depth Channel	06562	39.37 (1000)	5.65 (143)	32.9
4000-2 Sloped Channel	138002	39.37 (1000)	5.88 (149)	32.9
4000-3 Sloped Channel	138003	39.37 (1000)	6.12 (155)	33.8
4000-4 Sloped Channel	138004	39.37 (1000)	6.35 (161)	34.7
4000-5 Sloped Channel	138005	39.37 (1000)	6.59 (167)	35.6
4000-6 Sloped Channel	138006	39.37 (1000)	6.83 (173)	36.5
4000-7 Sloped Channel	138007	39.37 (1000)	7.06 (179)	37.4
4000-8 Sloped Channel	138008	39.37 (1000)	7.30 (185)	38.3
4000-9 Sloped Channel	138009	39.37 (1000)	7.54 (191)	39.2
4010 Constant Depth Channel	06561	39.37 (1000)	7.54 (191)	40.1
40103 Constant Depth Channel	138033	19.69 (500)	7.54 (191)	23.0
4000-10 Sloped Channel	138010	39.37 (1000)	7.77 (197)	40.1
4000-11 Sloped Channel	138011	39.37 (1000)	8.01 (203)	41.0
4000-12 Sloped Channel	138012	39.37 (1000)	8.24 (209)	41.9
4000-13 Sloped Channel	138013	39.37 (1000)	8.48 (215)	42.8
4000-14 Sloped Channel	138014	39.37 (1000)	8.72 (221)	43.7
4000-15 Sloped Channel	138015	39.37 (1000)	8.95 (227)	44.6
4000-16 Sloped Channel	138016	39.37 (1000)	9.19 (233)	45.5
4000-17 Sloped Channel	138017	39.37 (1000)	9.43 (239)	46.4
4000-18 Sloped Channel	138018	39.37 (1000)	9.66 (245)	47.3
4000-19 Sloped Channel	138019	39.37 (1000)	9.90 (251)	48.2
4020 Constant Depth Channel	06563	39.37 (1000)	9.90 (251)	49.1
40203 Constant Depth Channel	138035	19.69 (500)	9.90 (251)	26.0
4000-20 Sloped Channel	138020	39.37 (1000)	10.13 (257)	49.1
4000-21 Sloped Channel	138021	39.37 (1000)	10.37 (263)	50.0
4000-22 Sloped Channel	138022	39.37 (1000)	10.61 (269)	50.9
4000-23 Sloped Channel	138023	39.37 (1000)	10.84 (275)	51.8
4000-24 Sloped Channel	138024	39.37 (1000)	11.08 (281)	52.7
4000-25 Sloped Channel	138025	39.37 (1000)	11.31 (287)	53.6
4000-26 Sloped Channel	138026	39.37 (1000)	11.55 (293)	54.5
4000-27 Sloped Channel	138027	39.37 (1000)	11.79 (299)	55.6
4000-28 Sloped Channel	138028	39.37 (1000)	12.02 (305)	56.5
4000-29 Sloped Channel	138029	39.37 (1000)	12.26 (311)	57.4
4000-30 Sloped Channel	138030	39.37 (1000)	12.50 (317)	59.2

Meter Channel



Half-Meter Channel



Catch Basin

	Part No.	Length in (mm)	Overall Depth in (mm)	Weight lbs
In-line Catch Basin				
	05620	19.69 (500)	23.00 (585)	57.0
Catch Basin QuickLok bar	98717	-	-	0.1
Plastic Trash Bucket	01498	-	-	1.1
6" Oval > Round Adapter	95140	-	-	1.1

Accessories

Closing End Cap	137090	-	12.50 (311)	4.5
104-4 Inlet Cap - 4"	137091	-	7.54 (191)	2.6
108-4 Outlet Cap - 4"	137092	-	7.77 (197)	2.0
204-4 Inlet Cap - 4"	137093	-	9.90 (251)	3.7
208-4 Outlet Cap - 4"	137094	-	10.13 (257)	2.6
208-6 Outlet Cap - 6"	137095	-	10.13 (257)	2.6
308-4 Outlet Cap - 4"	137097	-	12.50 (317)	3.3
308-6 Outlet Cap - 6"	137098	-	12.50 (317)	3.3
204-6 Inlet Cap - 6"	137099	-	9.90 (251)	3.3

Grates

Steel Slotted - 1 m	31530	39.37 (1000)	-	5.9
Steel Slotted - 0.5 m	31531	19.69 (500)	-	3.0
Black Longitudinal Plastic - 0.5 m	97393	19.69 (500)	-	1.8
Gray Longitudinal Plastic - 0.5 m	97385	19.69 (500)	-	1.8
QuickLok Bar	02899	39.37 (1000)	-	0.2
Grate Removal Tool	01318	39.37 (1000)	-	0.6

Safety Edge System

SE4020 Constant Depth Channel	06566	39.37 (1000)	9.90 (251)	49.0
In-line Catch Basin	06567	19.69 (500)	23.00 (585)	59.0

ACO Sport Systems

Full Athletic Venue Coverage

System 7100

Safety Curb provides rubber topping that borders sports fields for containing loose surfacing such as sand, cinder, or clay in recreational parks and playgrounds.

System 2000/3000

Slotted channels provide discrete, unintrusive drainage for track and field arenas.

System 7200/7300

ACO's Modular Long Jump Pit Systems fulfill high school, college (NCAA), and international standards (IAAF).

Sand Traps prevent displaced sand from degrading surrounding track material.

System 4000

Grated channels are ideal for providing drainage around the perimeter of sports fields, courts, and bleachers.

ACO products support the ACO System Chain



Surface Water Management

- ACO Drain - Commercial Trench Drains
- ACO Infrastructure - Heavy Duty Drainage
- ACO Sport - Athletic Venue Drainage
- ACO StormBrixx - Geocellular Tanks
- ACO Aquaduct - Custom Drainage
- ACO Environment - Solid & Oil Separators
- ACO Wildlife - Guidance & Passage
- ACO Self - Garden & Landscape Drainage
- ACO UtilityDuct - Linear Ducting System

Building Drainage

- ACO Stainless - Stainless Trench Drains
- ACO BoxDrain - Stainless Floor Troughs
- ACO FloorDrain - Stainless Point Drains
- ACO Pipe - Stainless Push-fit Piping
- ACO ShowerDrain - Bathroom Drainage

ACO, Inc.

West Sales Office
825 W. Beechcraft Street
Casa Grande, AZ 85122
Tel: (520) 421-9988
Toll-Free: (888) 490-9552
Fax: (520) 421-9899

Northeast Sales Office
9470 Pinecone Drive
Mentor, OH 44060
Tel: (440) 639-7230
Toll-Free: (800) 543-4764
Fax: (440) 639-7235

Southeast Sales Office
4211 Pleasant Road
Fort Mill, SC 29708
Toll-Free: (800) 543-4764
Fax: (803) 802-1063

info@acousa.com
www.acousa.com

© April 2021 ACO, Inc.

All reasonable care has been taken in compiling the information in this document. All recommendations and suggestions on the use of ACO products are made without guarantee since the conditions of use are beyond the control of the company. It is the customer's responsibility to ensure that each product is fit for its intended purpose and that the actual conditions of use are suitable. ACO, Inc. reserves the right to change products and specifications without notice.

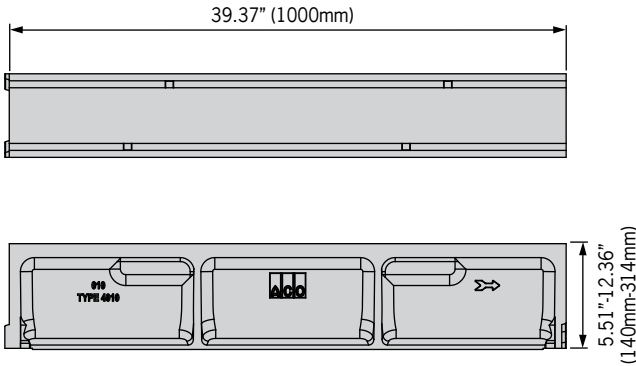
Print #SP202

ACO. creating
the future of drainage

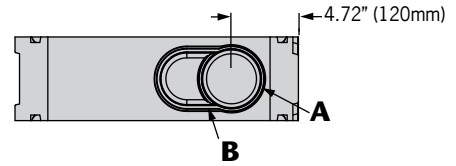
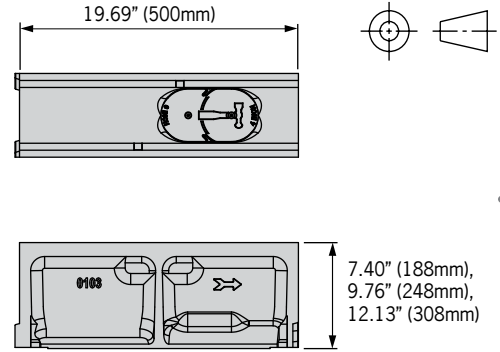


System 4000 - Open channel trench drain system

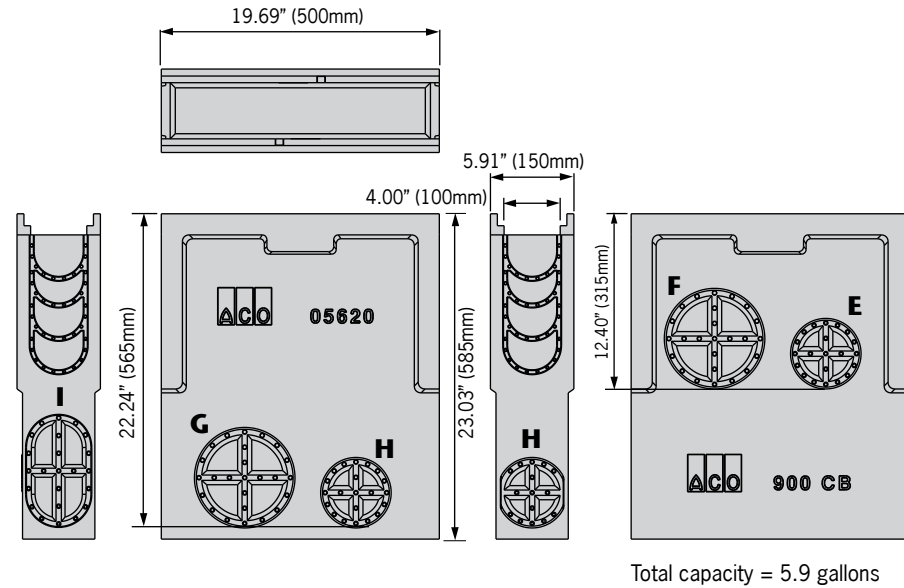
One meter channel



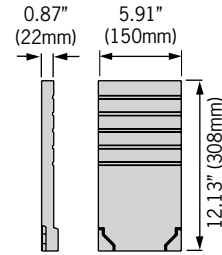
Half meter channel



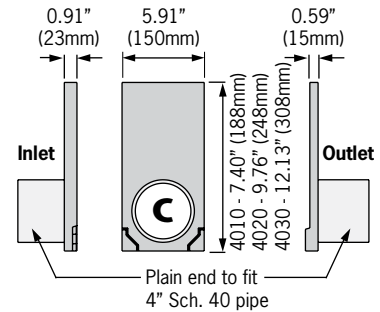
In-line catch basin



Closing cap



4" Inlet/outlet caps

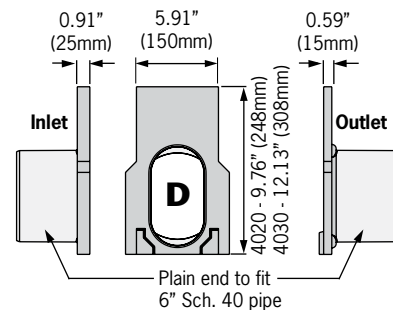


Outlet flow rates

Outlet	Product	Outlet size (Sch. 40)	Invert Depth	GPM	CFS
A	Bottom outlet - 40103	4" round	6.50	117	0.26
A	Bottom outlet - 40303	4" round	11.22	185	0.41
B	Bottom outlet - 40103	6" oval	6.50	183	0.40
B	Bottom outlet - 40303	6" oval	11.22	288	0.64
C	Outlet cap - 4010	4" round	6.50	119	0.27
C	Outlet cap - 4030	4" round	11.22	168	0.39
D	Outlet cap - 4020	6" oval	8.86	220	0.50
D	Outlet cap - 4030	6" oval	11.22	248	0.57
E	In-line catch basin*	4" round	12.40	175	0.40
F	In-line catch basin*	6" round	12.40	379	0.87
G	In-line catch basin*	6" round	22.24	530	1.22
H	In-line catch basin*	4" round	22.24	242	0.54
I	In-line catch basin*	6" oval	22.24	372	0.86

* In-line catch basin flow rate without trash bucket - using trash bucket reduces flow

6" Oval Inlet/outlet caps



ACO Specification Information

ACO SPORT

System 4000 Open channel trench drain system

ACO Specification Information

Description	Part No	Invert Depth		Overall Depth		Wgt lbs
		inches	mm	inches	mm	
4000-1 Sloped channel - 39.37" (1meter)	138001	4.61	117	5.51	140	32.0
4002 Constant depth channel - 39.37" (1meter)	06562	4.61	117	5.51	140	32.9
4000-2 Sloped channel - 39.37" (1meter)	138002	4.84	123	5.75	146	32.9
4000-3 Sloped channel - 39.37" (1meter)	138003	5.08	129	5.98	152	33.8
4000-4 Sloped channel - 39.37" (1meter)	138004	5.31	135	6.22	158	34.7
4000-5 Sloped channel - 39.37" (1meter)	138005	5.55	141	6.46	164	35.6
4000-6 Sloped channel - 39.37" (1meter)	138006	5.79	147	6.69	170	36.5
4000-7 Sloped channel - 39.37" (1meter)	138007	6.02	153	6.93	176	37.4
4000-8 Sloped channel - 39.37" (1meter)	138008	6.26	159	7.17	182	38.3
4000-9 Sloped channel - 39.37" (1meter)	138009	6.50	165	7.40	188	39.2
4010 Constant depth channel - 39.37" (1meter)	06561	6.50	165	7.40	188	40.1
40103 Constant depth channel - 19.69" (0.5meter)	138033	6.50	165	7.40	188	23.0
4000-10 Sloped channel - 39.37" (1meter)	138010	6.73	171	7.64	194	40.1
4000-11 Sloped channel - 39.37" (1meter)	138011	6.97	177	7.87	200	41.0
4000-12 Sloped channel - 39.37" (1meter)	138012	7.20	183	8.11	206	41.9
4000-13 Sloped channel - 39.37" (1meter)	138013	7.44	189	8.35	212	42.8
4000-14 Sloped channel - 39.37" (1meter)	138014	7.68	195	8.58	218	43.7
4000-15 Sloped channel - 39.37" (1meter)	138015	7.91	201	8.82	224	44.6
4000-16 Sloped channel - 39.37" (1meter)	138016	8.15	207	9.06	230	45.5
4000-17 Sloped channel - 39.37" (1meter)	138017	8.39	213	9.29	236	46.4
4000-18 Sloped channel - 39.37" (1meter)	138018	8.62	219	9.53	242	47.3
4000-19 Sloped channel - 39.37" (1meter)	138019	8.86	225	9.76	248	48.2
4020 Constant depth channel - 39.37" (1meter)	06563	8.86	225	9.76	248	49.1
40203 Constant depth channel - 19.69" (0.5meter)	138035	8.86	225	9.76	248	26.0
4000-20 Sloped channel - 39.37" (1meter)	138020	9.09	231	10.00	254	49.1
4000-21 Sloped channel - 39.37" (1meter)	138021	9.33	237	10.24	260	50.0
4000-22 Sloped channel - 39.37" (1meter)	138022	9.57	243	10.47	266	50.9
4000-23 Sloped channel - 39.37" (1meter)	138023	9.80	249	10.71	272	51.8
4000-24 Sloped channel - 39.37" (1meter)	138024	10.04	255	10.94	278	52.7
4000-25 Sloped channel - 39.37" (1meter)	138025	10.28	261	11.18	284	53.6
4000-26 Sloped channel - 39.37" (1meter)	138026	10.51	267	11.42	290	54.5
4000-27 Sloped channel - 39.37" (1meter)	138027	10.75	273	11.65	296	55.6
4000-28 Sloped channel - 39.37" (1meter)	138028	10.98	279	11.89	302	56.5
4000-29 Sloped channel - 39.37" (1meter)	138029	11.22	285	12.13	308	57.4
4030 Constant depth channel - 39.37" (1meter)	138036	11.22	285	12.13	308	58.3
40303 Constant depth channel - 19.69" (0.5meter)	138037	11.22	285	12.13	308	31.0
4000-30 Sloped channel - 39.37" (1meter)	138030	11.46	291	12.36	314	59.2
Catch basin						
In-line catch basin - 19.69" (0.5m)	05620	22.13	562	23.03	585	62.0
QuickLok bar (removable)	98717	-	-	-	-	0.1
Series 900 plastic trash bucket	01498	-	-	-	-	1.1
6" oval to round adapter (fits outlets B & I)	95140	-	-	-	-	1.1
Accessories						
Debris strainer for 4" bottom knockout (fits outlet A)	93488	-	-	-	-	0.2
Universal closing end cap	137090	-	-	12.13	308	4.5
104-4 Inlet cap with 4" schedule 40 pipe	137091	6.50	165	7.40	188	2.6
108-4 Outlet cap with 4" schedule 40 pipe	137092	6.50	165	7.40	188	2.0
204-4 Inlet cap with 4" schedule 40 pipe	137093	8.86	225	9.76	248	3.7
208-4 Outlet cap with 4" schedule 40 pipe	137094	8.86	225	9.76	248	2.6
204-6 Inlet end cap with 6" schedule 35 pipe	137099	8.86	225	9.76	248	3.3
208-6 Outlet end cap with 6" schedule 35 pipe	137095	8.86	225	9.76	248	2.6
304-4 Inlet cap with 4" schedule 40 pipe	137096	11.22	285	12.13	308	4.6
308-4 Outlet cap with 4" schedule 40 pipe	137097	11.22	285	12.13	308	3.3
304-6 Inlet end cap with 6" schedule 35 pipe	137100	11.22	285	12.13	308	4.4
308-6 Outlet end cap with 6" schedule 35 pipe	137098	11.22	285	12.13	308	3.3

Notes:

1. Preformed 4" dia. & 6" flumed drill-outlet cast on underside of half meter channels only.
2. Closing cap can be cut down to suit all channels.
3. Invert depths are at the male (downstream) end - subtract 0.24" (6mm) for female invert depth **EXCEPT** constant depth channels where the invert is the same both ends.

Part I - General

- 1.1 **Related Work** - Work specified in other sections includes: Excavation and backfill, cast-in-place concrete, and mechanical equipment.
- 1.2 **System Description** - Interconnecting, polymer concrete modular trench drainage system.
- 1.3 **Submittals** - On request, shop drawings showing schematic plan of total drainage system listing all parts with center-line dimensions. Copies of manufacturer's recommended installation instructions.
- 1.4 **Project History** - Manufacturer to provide list of installed projects, if required.
- 1.5 **Warranty** - Limited one year product warranty based on installation according to manufacturer's installation instructions (see below).

Part II - Product

- 2.1 **Products** - Manufactured by ACO Polymer Products, Inc.
- 2.2 **Physical & Mechanical Characteristics**
 - Overall width - 5.91 inches (150mm)
 - Internal width - 4.00 inches (100mm)
 - Unit depth - varies - see Product Table
 - Unit length - 39.37 inches (1000mm), or 19.69" (500mm)
 - Compressive strength - 14,000 psi
 - Flexural strength - 4,000 psi
 - Water absorption rate - <0.1% by weight.
 - ADA compliant to American Disabilities Act of 1990 Section 4.5.4 with appropriate grate (494Q/495Q)
- 2.3 **Channel Profile** - Each unit features a full radius in trench bottom, and male to female interconnecting ends. Horizontal cast-in anchoring features on outside walls to ensure maximum mechanical bond to surrounding bedding material.
- 2.4 **Catch Basins** - Manufactured from polymer concrete, be one half meter (19.69") in length and include a trash bucket (optional).
- 2.5 **Grates** - A choice of QuickLok grates are available. See separate Spec Info sheets for details.

Part III - Installation

- 3.1 **Site Preparation** - Excavate area to accommodate ACO SPORT System 4000 channel and to allow a minimum of 4 inches (100mm) concrete encasement (recommended 4,000psi) on 3 sides to provide necessary support. Top of channel must be evenly aligned to surface of surrounding slab. See installation section for haunch details for different loadings & pavement materials.
- 3.2 **Installation** - Start at outlet or catch basin. Insert channels from above to allow ends to interconnect. Channel sections shall be placed on brick, rebar basket, install device, or low slump concrete slurry to obtain correct finished elevation. Cutting will be made, if required, by masonry or concrete saw. Protect channel from concrete splash during concrete pour. Place concrete in a manner that will not dislodge channels.
- 3.3 **Finishing and Clean-up** - Following final set of concrete, remove channel protection and thoroughly flush system to remove debris.
- 3.4 Install in strict accordance with manufacturer's recommendations and drawings. Full details available at www.ACOSport.us.

ACO Polymer Products, Inc.

West Sales Office
 825 W Beechcraft Street
 Casa Grande, AZ 85122
 Tel: (520) 421-9988
 Toll Free: (888) 490-9552
 Fax: (520) 421-9899

Northeast Sales Office
 9470 Pinecone Drive
 Mentor, OH 44060
 Tel: (440) 639-7230
 Toll free: (800) 543-4764
 Fax: (440) 639-7235

Southeast Sales Office
 4211 Pleasant Road
 Fort Mill, SC 29708
 Toll free: (800) 543-4764
 Fax: (803) 802-1063



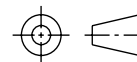
Electronic Contact:
 info@ACOSport.us
 www.ACOSport.us



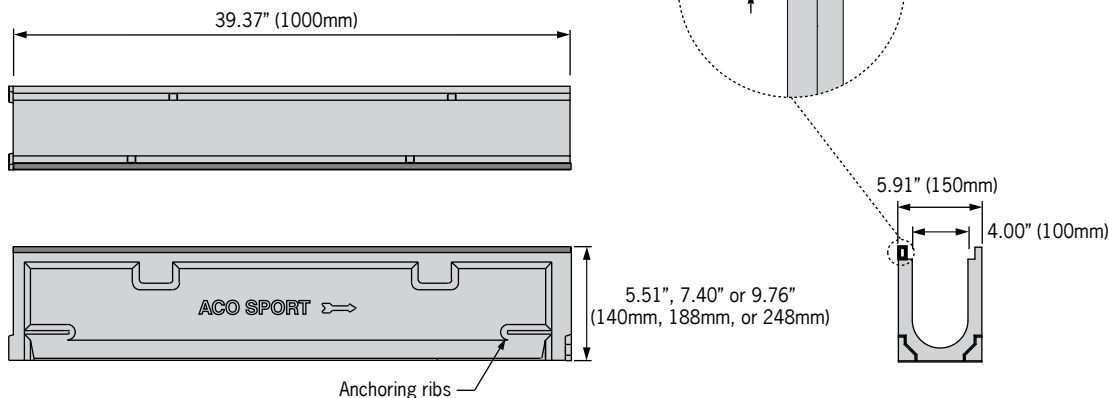
© May 2017 ACO Polymer Products, Inc. This information is believed to be accurate but it is not guaranteed to be so. We cannot assume liability for results that buyer obtains with our product since conditions of use are beyond the control of the company. It is the customer's responsibility to evaluate suitability and safety of product for his own use. ACO Polymer Products Inc. reserves the right to change the product and specifications without notice. Re-order AS022

System 4000 - Safety Edge

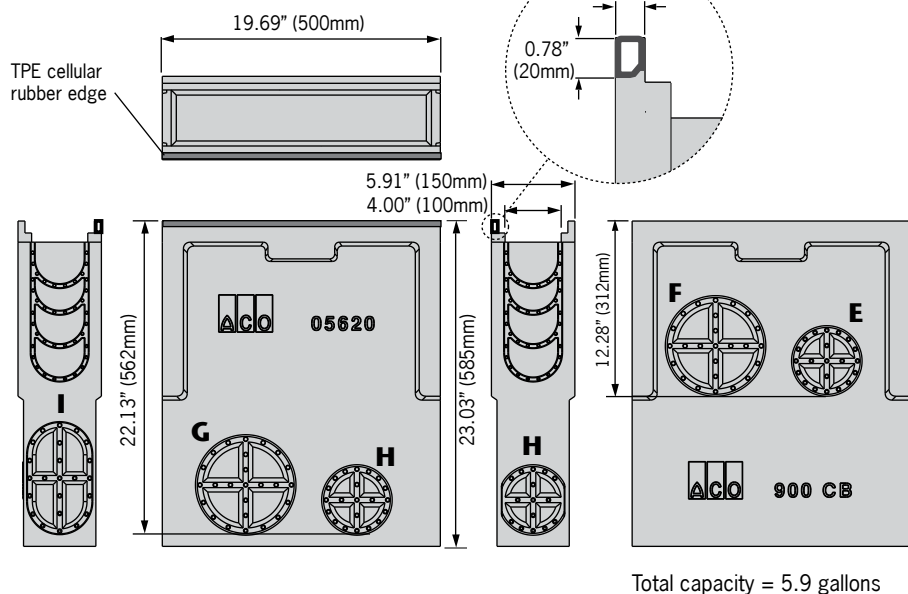
Open channel trench drain system with cellular rubber safety edge



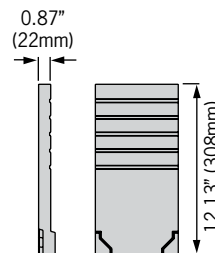
One meter channel



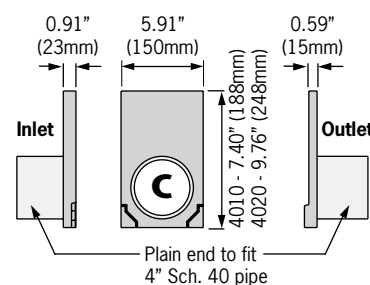
In-line catch basin



Closing cap



4" Inlet/outlet caps

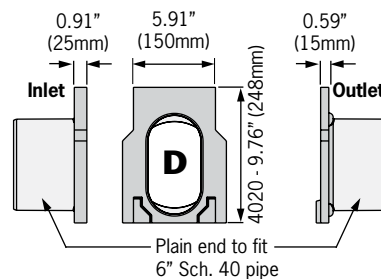


Outlet flow rates

Outlet	Product	Outlet size (Sch. 40)	Invert Depth	GPM	CFS
C	Outlet cap - 4010SE	4" round	6.50	119	0.27
C	Outlet cap - 4020SE	4" round	8.86	143	0.32
D	Outlet cap - 4020SE	6" oval	8.86	220	0.50
E	In-line catch basin*	4" round	12.40	175	0.40
F	In-line catch basin*	6" round	12.40	379	0.87
G	In-line catch basin*	6" round	22.24	530	1.22
H	In-line catch basin*	4" round	22.24	242	0.54
I	In-line catch basin*	6" oval	22.24	372	0.86

* In-line catch basin flow rate without trash bucket - using trash bucket reduces flow

6" Oval Inlet/outlet caps



ACO Specification Information

ACO SPORT

System 4000 Open channel trench drain system with cellular rubber safety edge

ACO Specification Information

Description	Part No	Invert Depth		Overall Depth		Wgt lbs
		inches	mm	inches	mm	
4002SE Constant depth channel - 39.37" (1m)	06564	4.61	117	5.51	140	32.9
4010SE Constant depth channel - 39.37" (1m)	06565	6.50	165	7.40	188	40.1
4020SE Constant depth channel - 39.37" (1m)	06566	8.86	225	9.76	248	49.1
Catch basin						
In-line catch basin - 19.69" (0.5m)	06567	22.13	562	23.03	585	62.0
QuickLok bar (removable)	98717	-	-	-	-	0.1
Series 900 plastic trash bucket	01498	-	-	-	-	1.1
6" oval to round adapter (fits outlets B & I)	95140	-	-	-	-	-
Accessories						
Debris strainer for 4" bottom knockout (fits outlet A)	93488	-	-	-	-	0.2
Universal closing end cap	137090	-	-	12.13	308	4.5
104-4 Inlet cap with 4" schedule 40 pipe	137091	6.50	165	7.40	188	2.6
108-4 Outlet cap with 4" schedule 40 pipe	137092	6.50	165	7.40	188	2.0
204-4 Inlet cap with 4" schedule 40 pipe	137093	8.86	225	9.76	248	3.7
208-4 Outlet cap with 4" schedule 40 pipe	137094	8.86	225	9.76	248	2.6
204-6 Inlet end cap with 6" schedule 35 pipe	137099	8.86	225	9.76	248	3.3
208-6 Outlet end cap with 6" schedule 35 pipe	137095	8.86	225	9.76	248	2.6

Part I - General

- 1.1 **Related Work** - Work specified in other sections includes: Excavation and backfill, cast-in-place concrete, and mechanical equipment.
- 1.2 **System Description** - Interconnecting, polymer concrete modular trench drainage system.
- 1.3 **Submittals** - On request, shop drawings showing schematic plan of total drainage system listing all parts with center-line dimensions. Copies of manufacturer's recommended installation instructions.
- 1.4 **Project History** - Manufacturer to provide list of installed projects, if required.
- 1.5 **Warranty** - Limited one year product warranty based on installation according to manufacturer's installation instructions (see below).

Part II - Product

- 2.1 **Products** - Manufactured by ACO Polymer Products, Inc.
- 2.2 **Physical & Mechanical Characteristics**
 - Overall width - 5.91 inches (150mm)
 - Internal width - 4.00 inches (100mm)
 - Unit depth - varies - see Product Table
 - Unit length - 39.37 inches (1000mm), or 19.69" (500mm)
 - TPE cellular rubber safety edge
 - Compressive strength - 14,000 psi
 - Flexural strength - 4,000 psi
 - Water absorption rate - <0.1% by weight.
 - ADA compliant to American Disabilities Act of 1990 Section 4.5.4 with appropriate grate (494Q/495Q)
- 2.3 **Channel Profile** - Each unit features a full radius in trench bottom, and male to female interconnecting ends. Horizontal cast-in anchoring features on outside walls to ensure maximum mechanical bond to surrounding bedding material.
- 2.4 **Catch Basins** - Manufactured from polymer concrete, be one half meter (19.69") in length and include a trash bucket (optional).
- 2.5 **Grates** - A choice of QuickLok grates are available. See separate Spec Info sheets for details.

Part III - Installation

- 3.1 **Site Preparation** - Excavate area to accommodate ACO SPORT System 4000 channel and to allow a minimum of 4 inches (100mm) concrete encasement (recommended 4,000psi) on 3 sides to provide necessary support. Top of channel must be evenly aligned to surface of surrounding slab. See installation section for haunch details for different loadings & pavement materials.
- 3.2 **Installation** - Start at outlet or catch basin. Insert channels from above to allow ends to interconnect. Channel sections shall be placed on brick, rebar basket, install device, or low slump concrete slurry to obtain correct finished elevation. Cutting will be made, if required, by masonry or concrete saw. Protect channel from concrete splash during concrete pour. Place concrete in a manner that will not dislodge channels.
- 3.3 **Finishing and Clean-up** - Following final set of concrete, remove channel protection and thoroughly flush system to remove debris.
- 3.4 Install in strict accordance with manufacturer's recommendations and drawings. Full details available at www.ACOSport.us.

ACO Polymer Products, Inc.

West Sales Office
 825 W Beechcraft Street
 Casa Grande, AZ 85122
 Tel: (520) 421-9988
 Toll Free: (888) 490-9552
 Fax: (520) 421-9899

Northeast Sales Office
 9470 Pinecone Drive
 Mentor, OH 44060
 Tel: (440) 639-7230
 Toll free: (800) 543-4764
 Fax: (440) 639-7235

Southeast Sales Office
 4211 Pleasant Road
 Fort Mill, SC 29708
 Toll free: (800) 543-4764
 Fax: (803) 802-1063



Electronic Contact:
info@ACOSport.us
www.ACOSport.us



© May 2017 ACO Polymer Products, Inc. This information is believed to be accurate but it is not guaranteed to be so. We cannot assume liability for results that buyer obtains with our product since conditions of use are beyond the control of the company. It is the customer's responsibility to evaluate suitability and safety of product for his own use. ACO Polymer Products Inc. reserves the right to change the product and specifications without notice. Re-order AS022

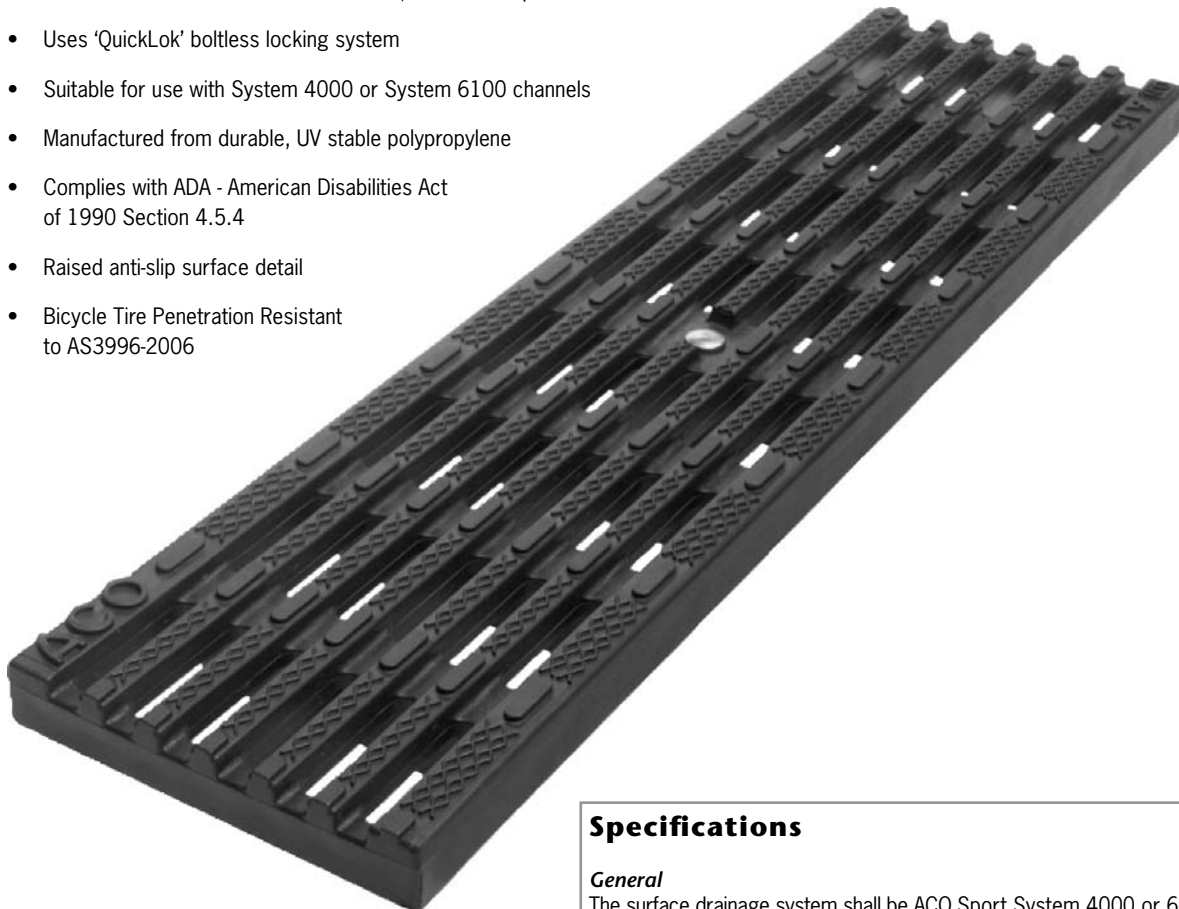
ADA Plastic



ADA black plastic

Product Features

- Certified to DIN 19580 Load Class A - 3,500 lbs - 70 psi
- Uses 'QuickLok' boltless locking system
- Suitable for use with System 4000 or System 6100 channels
- Manufactured from durable, UV stable polypropylene
- Complies with ADA - American Disabilities Act of 1990 Section 4.5.4
- Raised anti-slip surface detail
- Bicycle Tire Penetration Resistant to AS3996-2006



Specifications

General

The surface drainage system shall be ACO Sport System 4000 or 6100 channels* complete with ACO ADA plastic grate with 'QuickLok' locking as manufactured by ACO Polymer Products, Inc. or similar approved.

Materials

The covers shall be manufactured from polypropylene and have **minimum** properties as follows:

- **Independently certified to meet Load Class A to DIN 19580 - 3,500 lbs - 70 psi**
- **UV stable polypropylene**
- **Intake area of 27.4 sq. in. (176.8 cm²) per half meter of grate**

The overall width of 4.84" (123mm) and overall length of 19.69" (500mm). Slots measure 0.33" (8mm) by 1.74" (44mm).

Installation

The trench drain system and grates shall be installed in accordance with the manufacturer's installation instructions and recommendations.

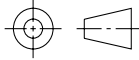
* delete as appropriate

ACO Specification Information

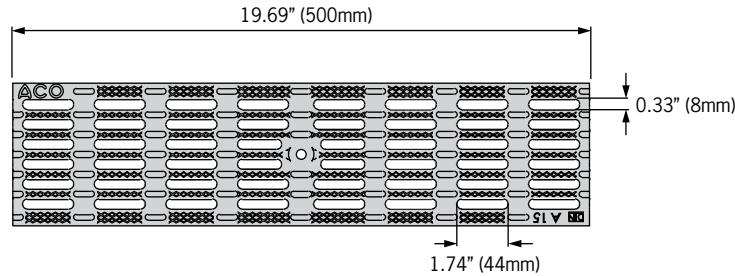


ACO SPORT

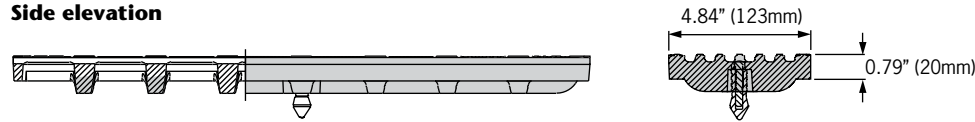
ADA plastic grate details



Plan view

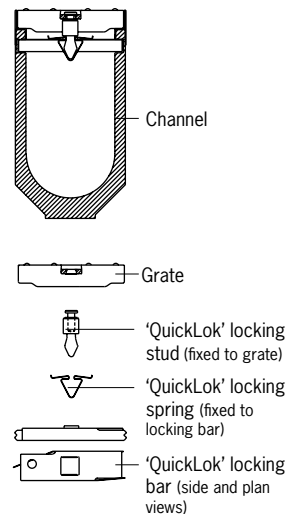


Side elevation



Description	Part No.	Length inches (mm)	Width inches (mm)	Weight lbs.
QuickLok grates				
ADA black plastic grate	97393	19.69 (500)	4.84 (123)	1.8
ADA gray plastic grate	97385	19.69 (500)	4.84 (123)	1.8
ADA green plastic grate	97398	19.69 (500)	4.84 (123)	1.8
ADA brick plastic grate	97386	19.69 (500)	4.84 (123)	1.8
QuickLok locking bar	02899	-	-	0.2
QuickLok grate removal hook	01318	-	-	0.6

'QuickLok' locking mechanism



ACO 'QuickLok' is a patented boltless locking system, grates are removed and replaced with the minimum time and effort for ease of maintenance. The unique design provides a positive 'snap down' fit into the locking bar. A stud is fixed to the grate which 'locks' into the spring clip in the locking bar.

The 'QuickLok' stud is made from stainless steel and high density nylon, the locking bar and clip are stainless steel, for use in both general purpose and corrosive environments.

ACO Polymer Products, Inc.

East Sales Office
 P.O. Box 245
 Chardon, OH 44024
 Tel: (440) 285-7000
 Toll free: (800) 543-4764
 Fax: (440) 285-7005

West Sales Office
 P.O. Box 12067
 Casa Grande, AZ 85230
 Tel: (520) 421-9988
 Toll Free: (888) 490-9552
 Fax: (520) 421-9899

Electronic Contact:
 info@acousa.com
 www.acousa.com



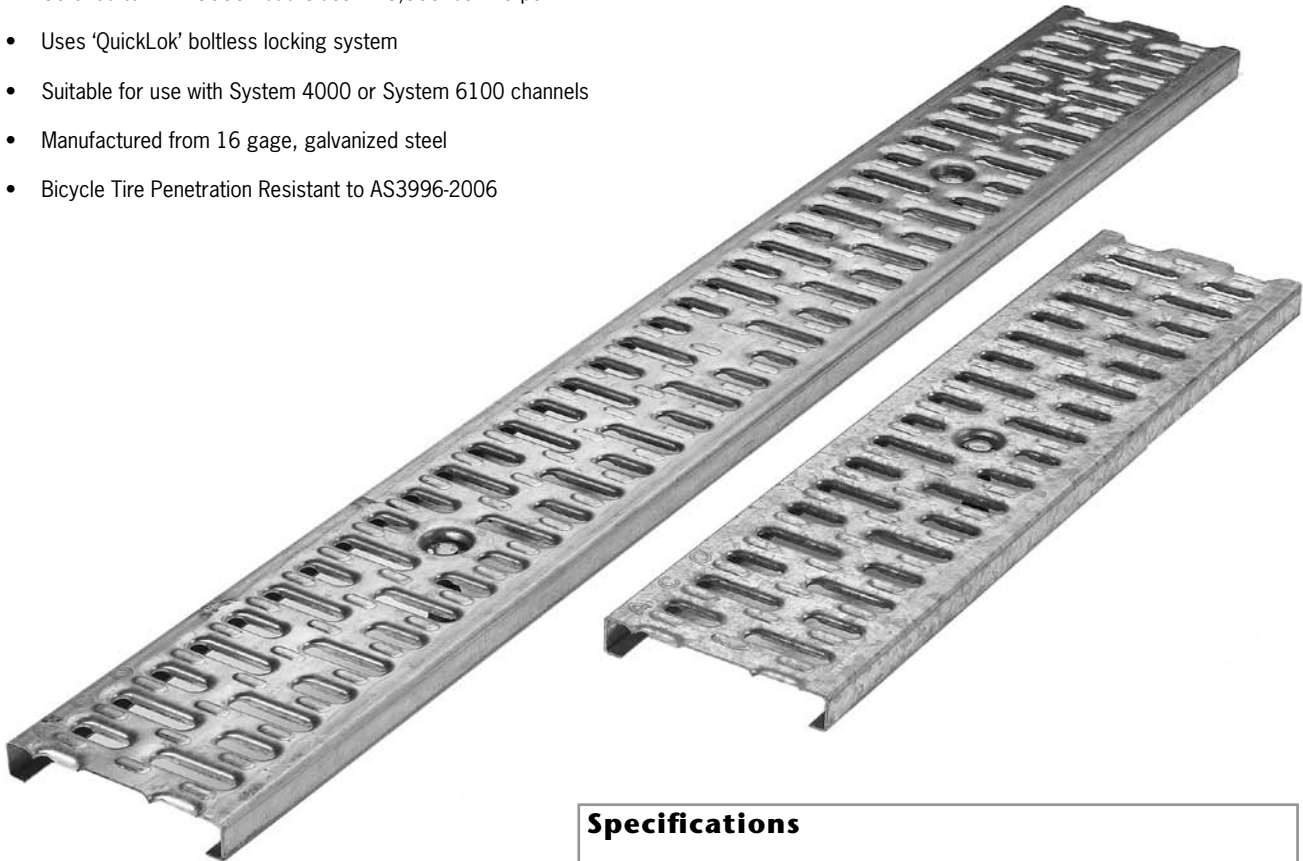
Slotted Steel Grate



Slotted galvanized steel grate

Product Features

- Certified to DIN 19580 Load Class A - 3,500 lbs - 70 psi
- Uses 'QuickLok' boltless locking system
- Suitable for use with System 4000 or System 6100 channels
- Manufactured from 16 gage, galvanized steel
- Bicycle Tire Penetration Resistant to AS3996-2006



Specifications

General

The surface drainage system shall be ACO Sport System 4000 or System 6100 channels* complete with ACO slotted galvanized steel grate with 'QuickLok' locking as manufactured by ACO Polymer Products, Inc. or similar approved.

Materials

The covers shall be manufactured from galvanized steel and have minimum properties as follows:

- **Independently certified to meet Load Class A to DIN 19580 - 3,500 lbs - 70 psi**
- **16 gage galvanized steel**
- **Intake area of 17.6 sq. in. (113.5 cm²) per half meter of grate**

The overall width of 4.84" (123mm) and overall length of 39.37" (1000mm) and 19.69" (500mm). Slots measure 1.75" (45mm) by 0.38" (10mm) and 1.17" (30mm) by 0.38" (10mm).

Installation

The trench drain system and grates shall be installed in accordance with the manufacturer's installation instructions and recommendations.

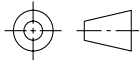
* delete as appropriate

ACO Specification Information

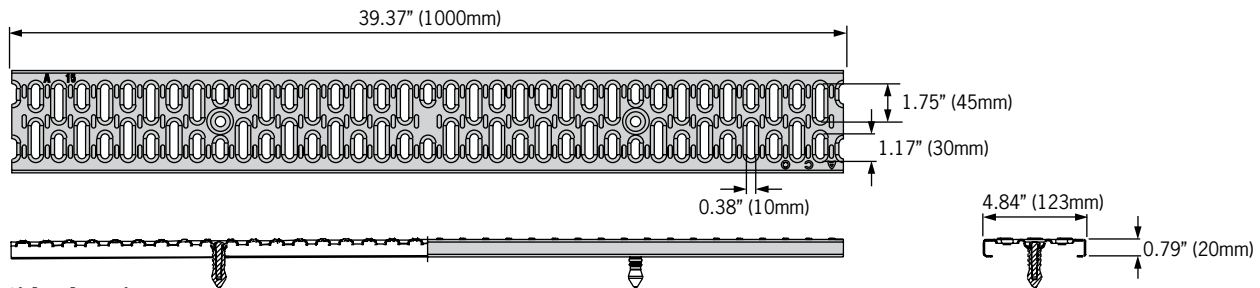


ACO SPORT

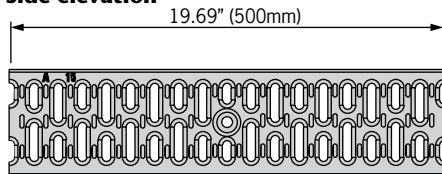
Slotted galvanized steel grate details



Plan view

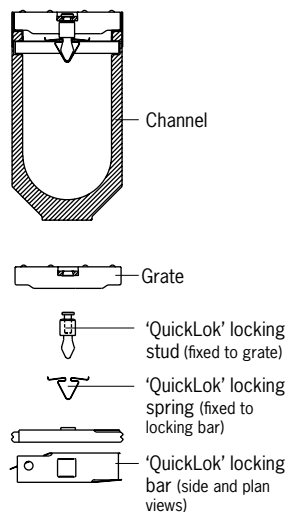


Side elevation



Description	Part No.	Length inches (mm)	Width inches (mm)	Weight lbs.
QuickLok grates				
Slotted galvanized steel grate	31530	39.37 (1000)	4.84 (123)	5.9
Slotted galvanized steel grate	31531	19.69 (500)	4.84 (123)	3.0
QuickLok locking bar	02899	-	-	0.2
QuickLok grate removal hook	01319	-	-	0.6

'QuickLok' locking mechanism



ACO 'QuickLok' is a patented bottless locking system, grates are removed and replaced with the minimum time and effort for ease of maintenance. The unique design provides a positive 'snap down' fit into the locking bar. A stud is fixed to the grate which 'locks' into the spring clip in the locking bar.

The 'QuickLok' stud is made from stainless steel and high density nylon, the locking bar and clip are stainless steel, for use in both general purpose and corrosive environments.

ACO Polymer Products, Inc.

East Sales Office

P.O. Box 245
Chardon, OH 44024
Tel: (440) 285-7000
Toll free: (800) 543-4764
Fax: (440) 285-7005

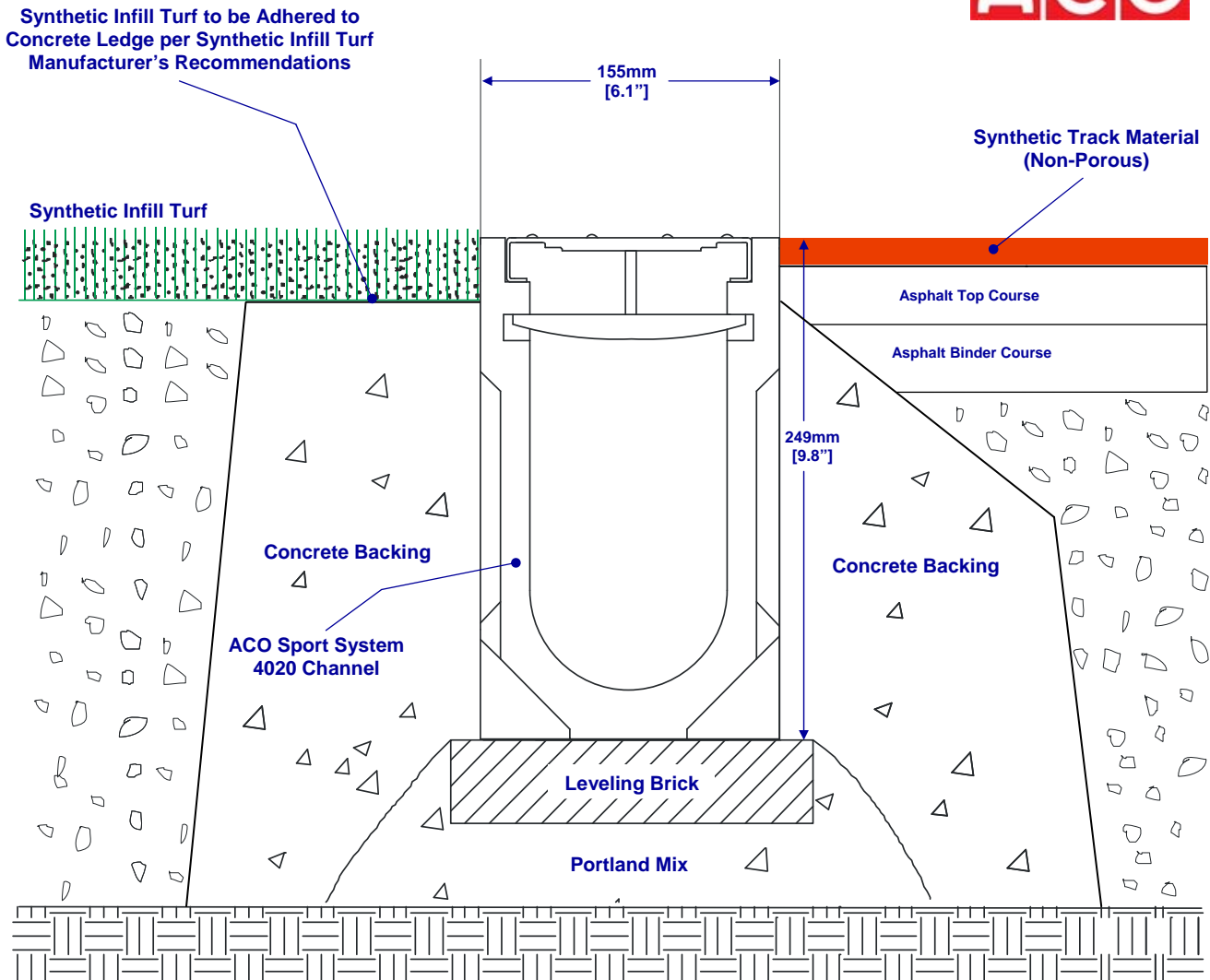
West Sales Office

P.O. Box 12067
Casa Grande, AZ 85230
Tel: (520) 421-9988
Toll Free: (888) 490-9552
Fax: (520) 421-9899

Electronic Contact:

info@acousa.com
www.acousa.com





**Synthetic Infill Turf to Synthetic Track Surface
 Non-Formed "Field-Side" Ledge & Sloped Away "Track-Side" Encasement**

PROPRIETARY AND CONFIDENTIAL
 THE INFORMATION CONTAINED IN THIS
 DRAWING IS THE SOLE PROPERTY OF
 SPORTSFIELD SPECIALTIES INC. ANY
 REPRODUCTION IN PART OR AS A WHOLE
 WITHOUT THE WRITTEN PERMISSION OF
 SPORTSFIELD SPECIALTIES INC. IS
 PROHIBITED.

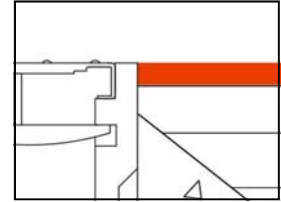


ACO Sport System 4020 Channel Drain

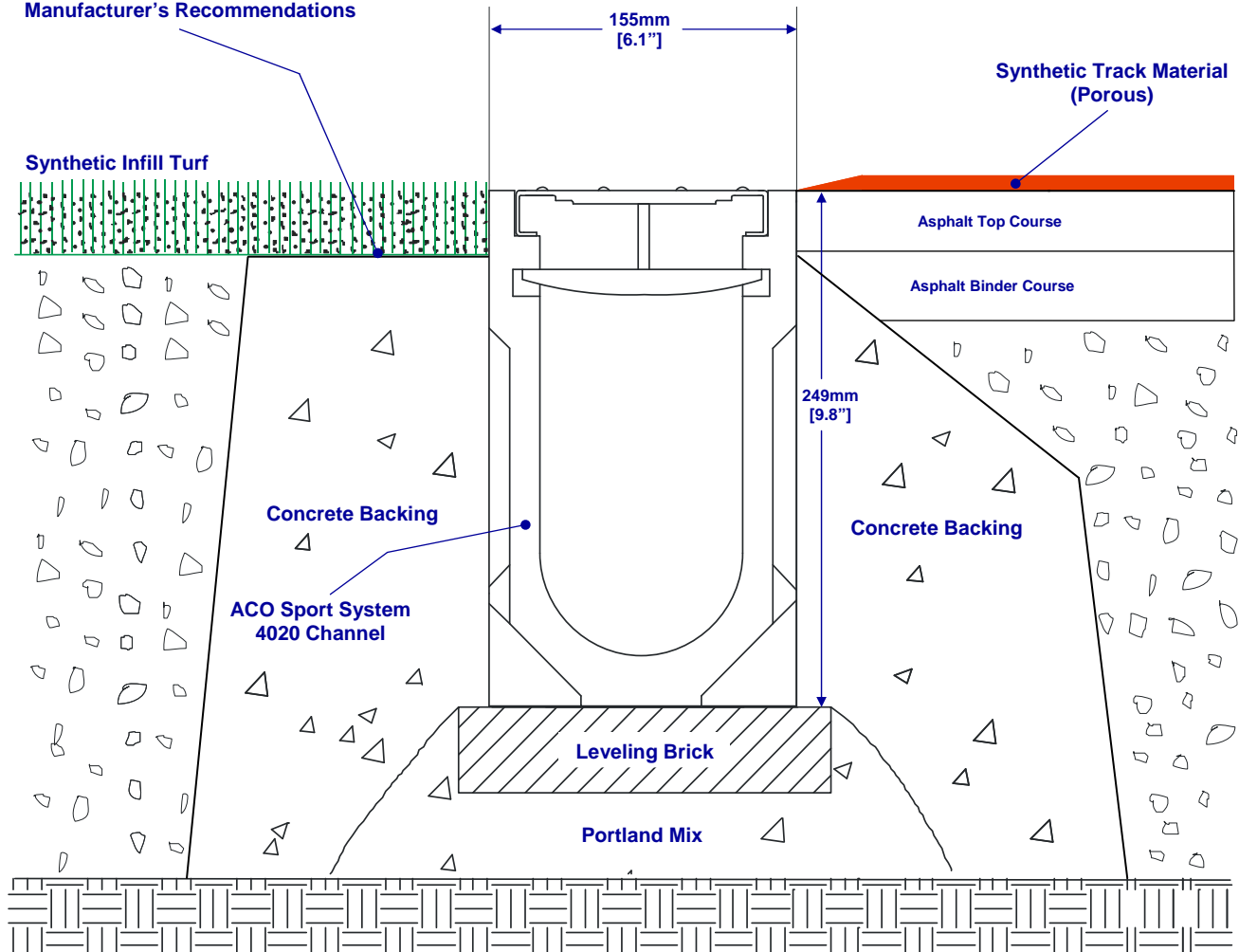
NOT TO SCALE

SPORTSFIELD SPECIALTIES INC 05/23/13

***Non-Porous Track Detail:**



Synthetic Infill Turf to be Adhered to Concrete Ledge per Synthetic Infill Turf Manufacturer's Recommendations



**Synthetic Infill Turf to Synthetic Track Surface
Non-Formed "Field-Side" Ledge & Sloped Away "Track-Side" Encasement**

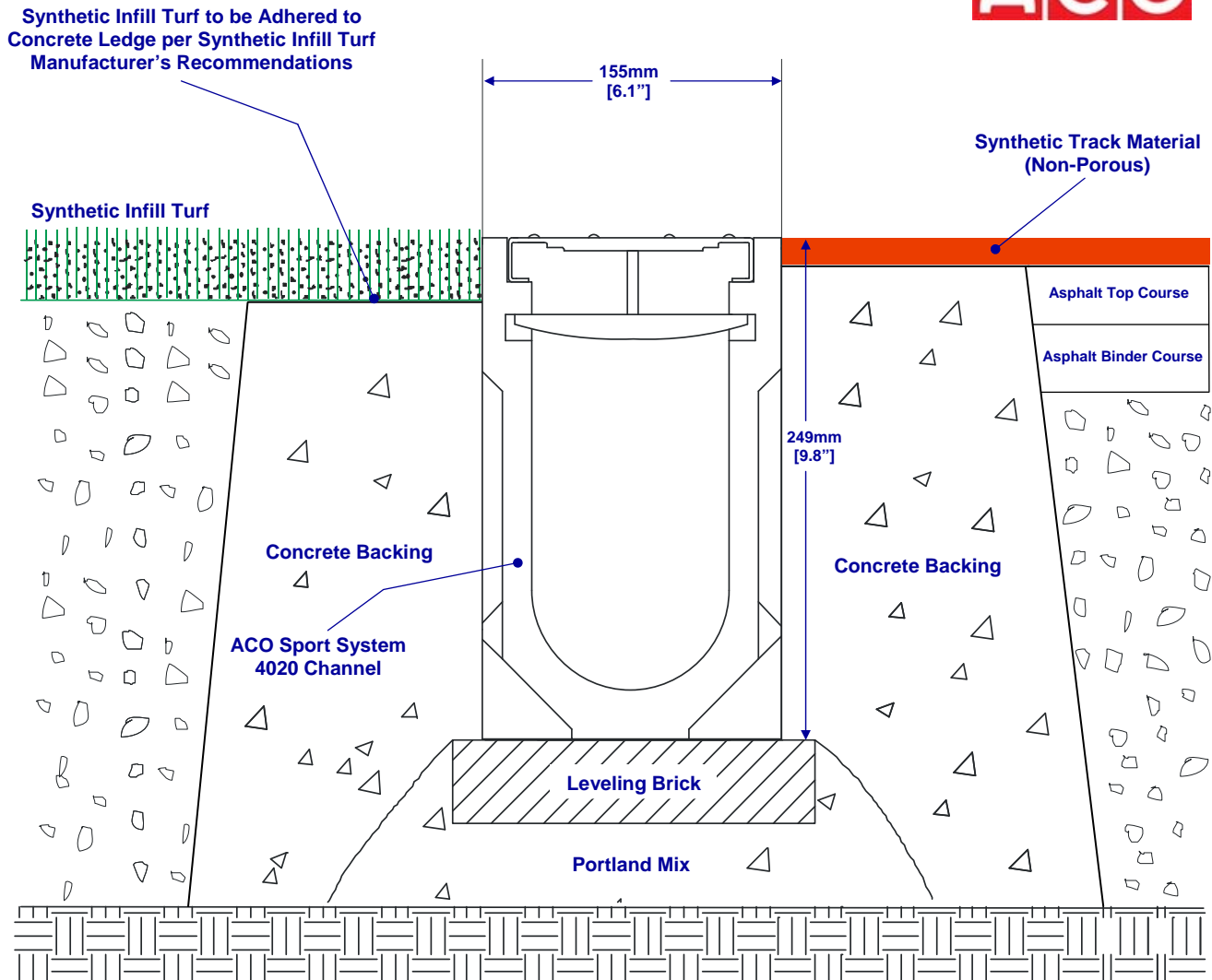
PROPRIETARY AND CONFIDENTIAL
THE INFORMATION CONTAINED IN THIS
DRAWING IS THE SOLE PROPERTY OF
SPORTSFIELD SPECIALTIES INC. ANY
REPRODUCTION IN PART OR AS A WHOLE
WITHOUT THE WRITTEN PERMISSION OF
SPORTSFIELD SPECIALTIES INC. IS
PROHIBITED.



ACO Sport System 4020 Channel Drain

NOT TO SCALE

SPORTSFIELD SPECIALTIES INC 05/23/13



**Synthetic Infill Turf to Synthetic Track Surface
Non-Formed Full Encasement with "Field-Side" Ledge**

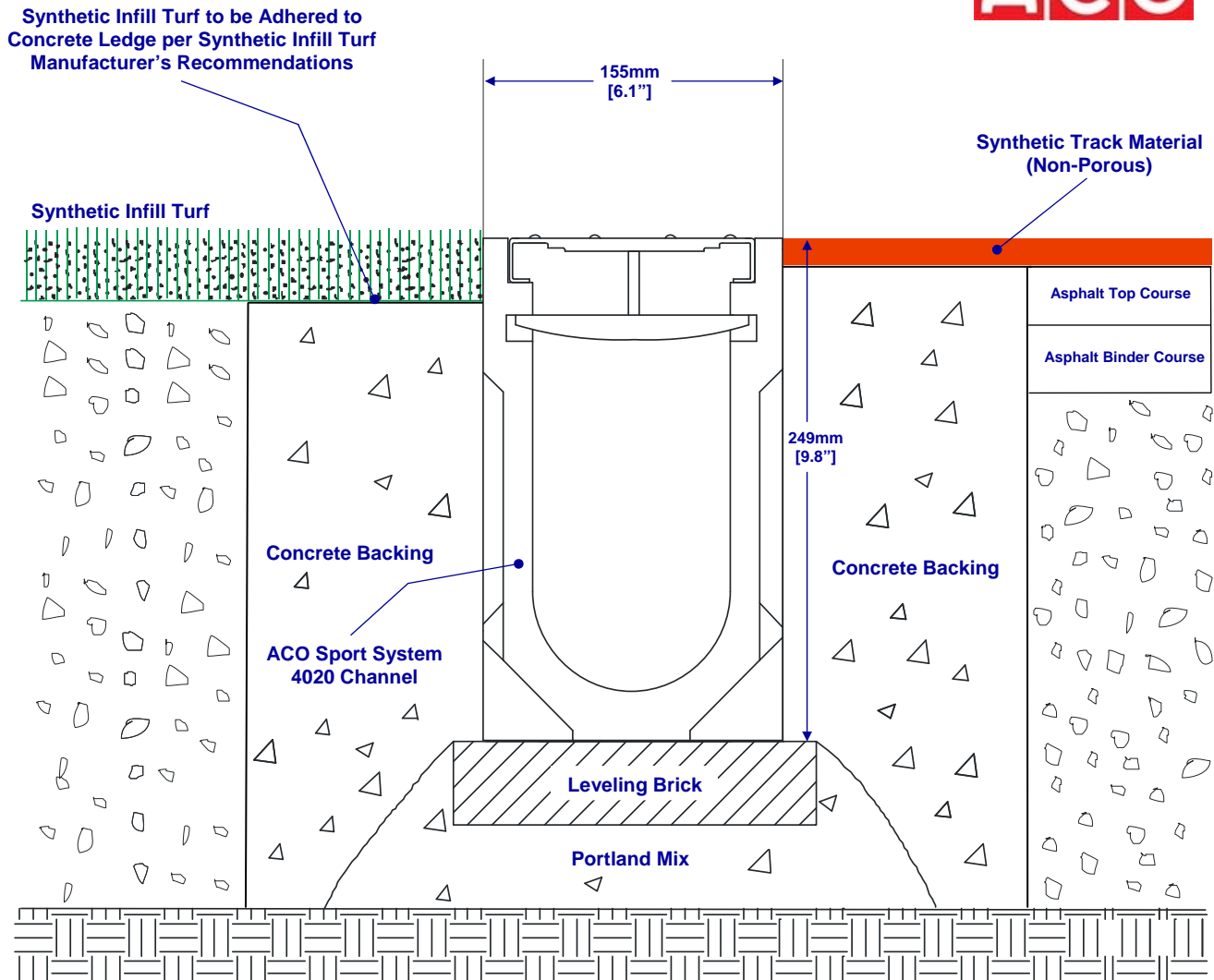
PROPRIETARY AND CONFIDENTIAL
THE INFORMATION CONTAINED IN THIS
DRAWING IS THE SOLE PROPERTY OF
SPORTSFIELD SPECIALTIES INC. ANY
REPRODUCTION IN PART OR AS A WHOLE
WITHOUT THE WRITTEN PERMISSION OF
SPORTSFIELD SPECIALTIES INC. IS
PROHIBITED.



ACO Sport System 4020 Channel Drain

NOT TO SCALE

SPORTSFIELD SPECIALTIES INC 05/23/13



**Synthetic Infill Turf to Synthetic Track Surface
 Fully Formed Encasement with "Field-Side" Ledge**

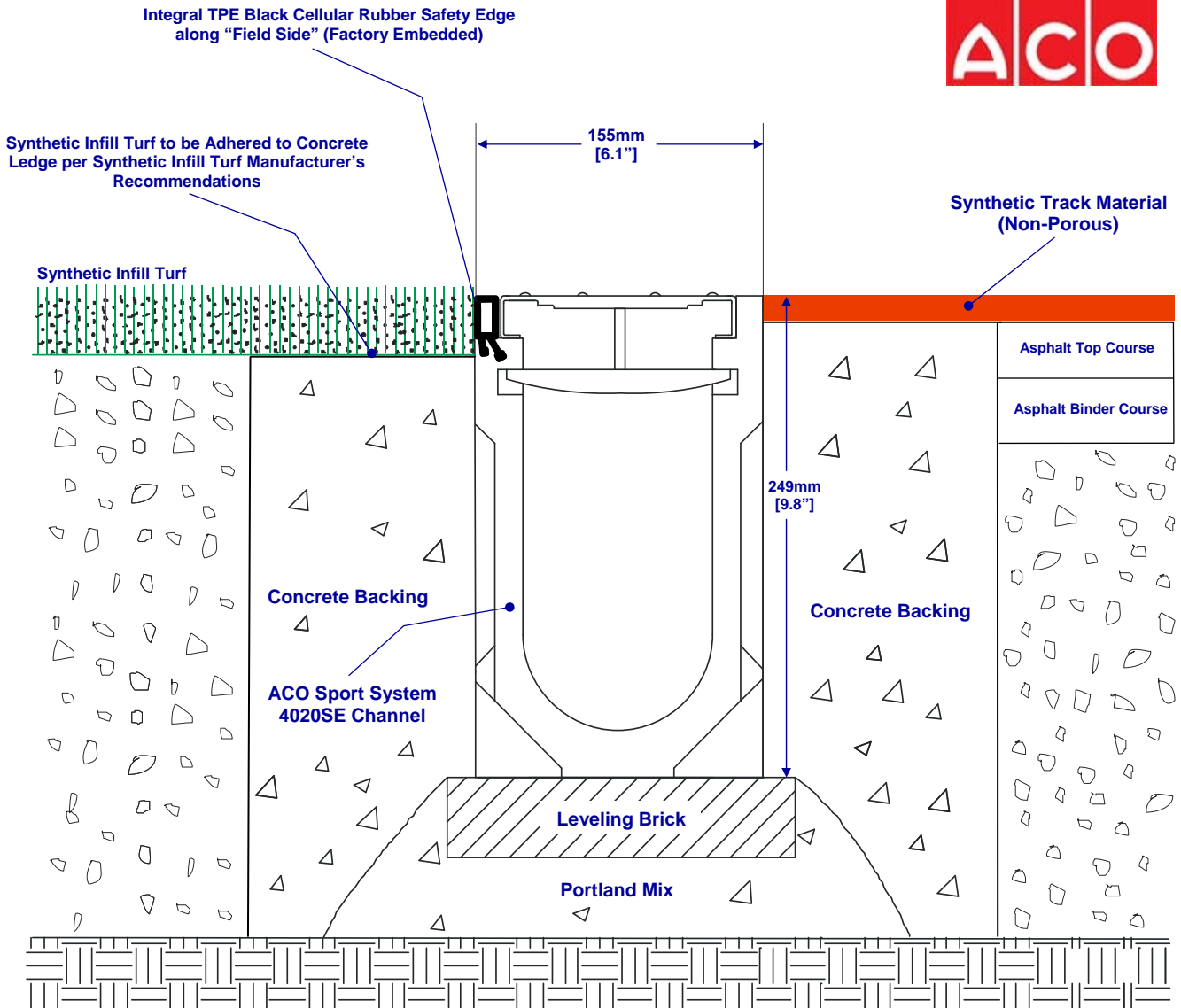
PROPRIETARY AND CONFIDENTIAL
 THE INFORMATION CONTAINED IN THIS
 DRAWING IS THE SOLE PROPERTY OF
 SPORTSFIELD SPECIALTIES INC. ANY
 REPRODUCTION IN PART OR AS A WHOLE
 WITHOUT THE WRITTEN PERMISSION OF
 SPORTSFIELD SPECIALTIES INC. IS
 PROHIBITED.



ACO Sport System 4020 Channel Drain

NOT TO SCALE

SPORTSFIELD SPECIALTIES INC 05/23/13



**Synthetic Infill Turf to Synthetic Track Surface
 Fully Formed Encasement with "Field-Side" Ledge**

PROPRIETARY AND CONFIDENTIAL
 THE INFORMATION CONTAINED IN THIS
 DRAWING IS THE SOLE PROPERTY OF
 SPORTSFIELD SPECIALTIES INC. ANY
 REPRODUCTION IN PART OR AS A WHOLE
 WITHOUT THE WRITTEN PERMISSION OF
 SPORTSFIELD SPECIALTIES INC. IS
 PROHIBITED.

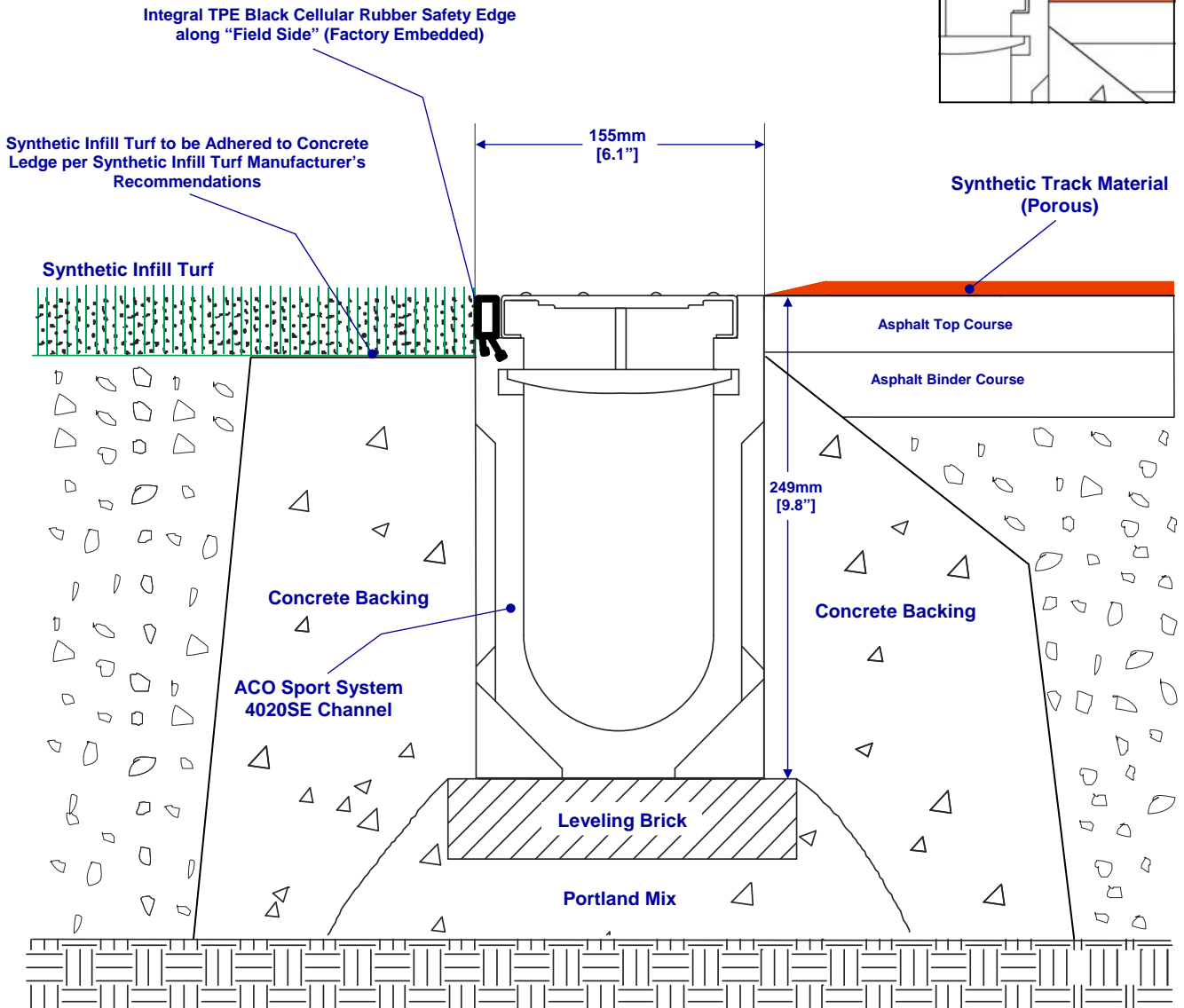
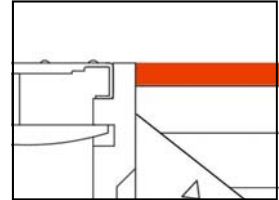


ACO Sport System 4020SE with Safety Edge

NOT TO SCALE

SPORTSFIELD SPECIALTIES INC 05/23/13

***Non-Porous Track Detail:**



**Synthetic Infill Turf to Synthetic Track Surface
Non-Formed "Field-Side" Ledge & Sloped Away "Track-Side" Encasement**

PROPRIETARY AND CONFIDENTIAL
THE INFORMATION CONTAINED IN THIS
DRAWING IS THE SOLE PROPERTY OF
SPORTSFIELD SPECIALTIES INC. ANY
REPRODUCTION IN PART OR AS A WHOLE
WITHOUT THE WRITTEN PERMISSION OF
SPORTSFIELD SPECIALTIES INC. IS
PROHIBITED.

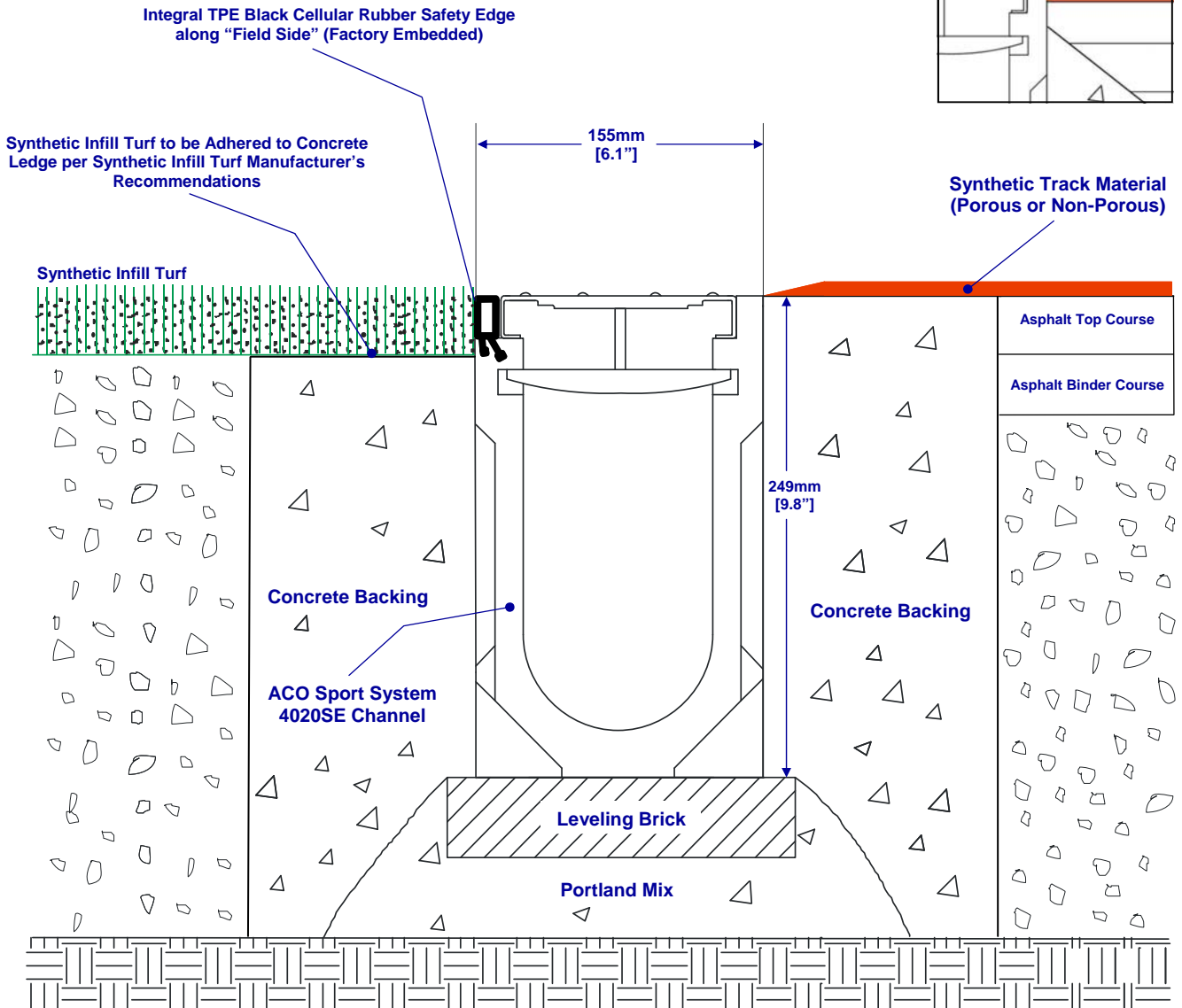
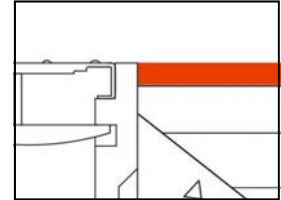


ACO Sport System 4020SE with Safety Edge

NOT TO SCALE

SPORTSFIELD SPECIALTIES INC 05/23/13

***Non-Porous Track Detail:**



**Synthetic Infill Turf to Synthetic Track Surface
Fully Formed Encasement with "Field-Side" Ledge**

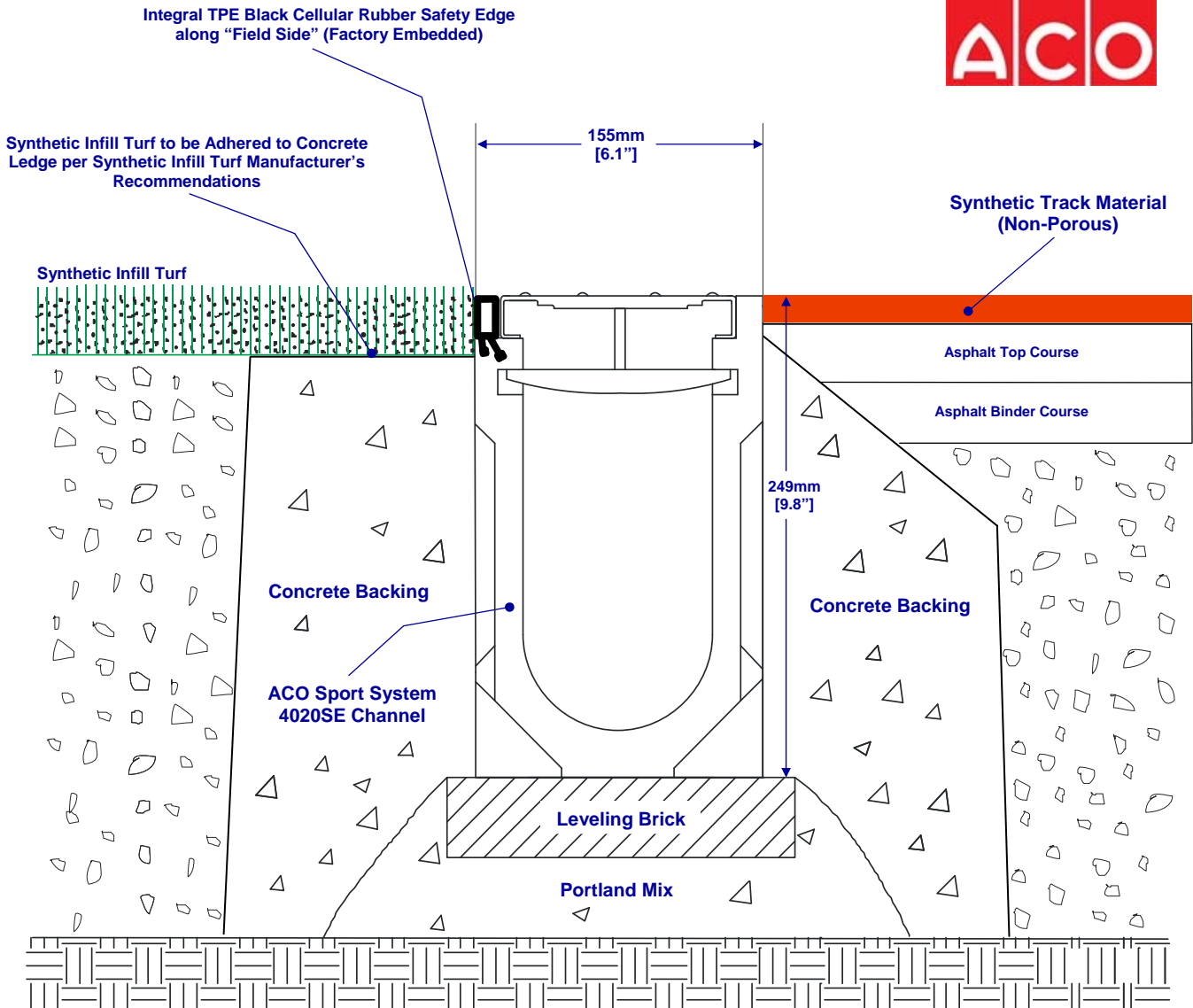
PROPRIETARY AND CONFIDENTIAL
THE INFORMATION CONTAINED IN THIS
DRAWING IS THE SOLE PROPERTY OF
SPORTSFIELD SPECIALTIES INC. ANY
REPRODUCTION IN PART OR AS A WHOLE
WITHOUT THE WRITTEN PERMISSION OF
SPORTSFIELD SPECIALTIES INC. IS
PROHIBITED.



ACO Sport System 4020SE with Safety Edge

NOT TO SCALE

SPORTSFIELD SPECIALTIES INC 05/23/13



**Synthetic Infill Turf to Synthetic Track Surface
Formed "Field-Side" Ledge & Sloped Away "Track-Side" Encasement**

PROPRIETARY AND CONFIDENTIAL
THE INFORMATION CONTAINED IN THIS
DRAWING IS THE SOLE PROPERTY OF
SPORTSFIELD SPECIALTIES INC. ANY
REPRODUCTION IN PART OR AS A WHOLE
WITHOUT THE WRITTEN PERMISSION OF
SPORTSFIELD SPECIALTIES INC. IS
PROHIBITED.



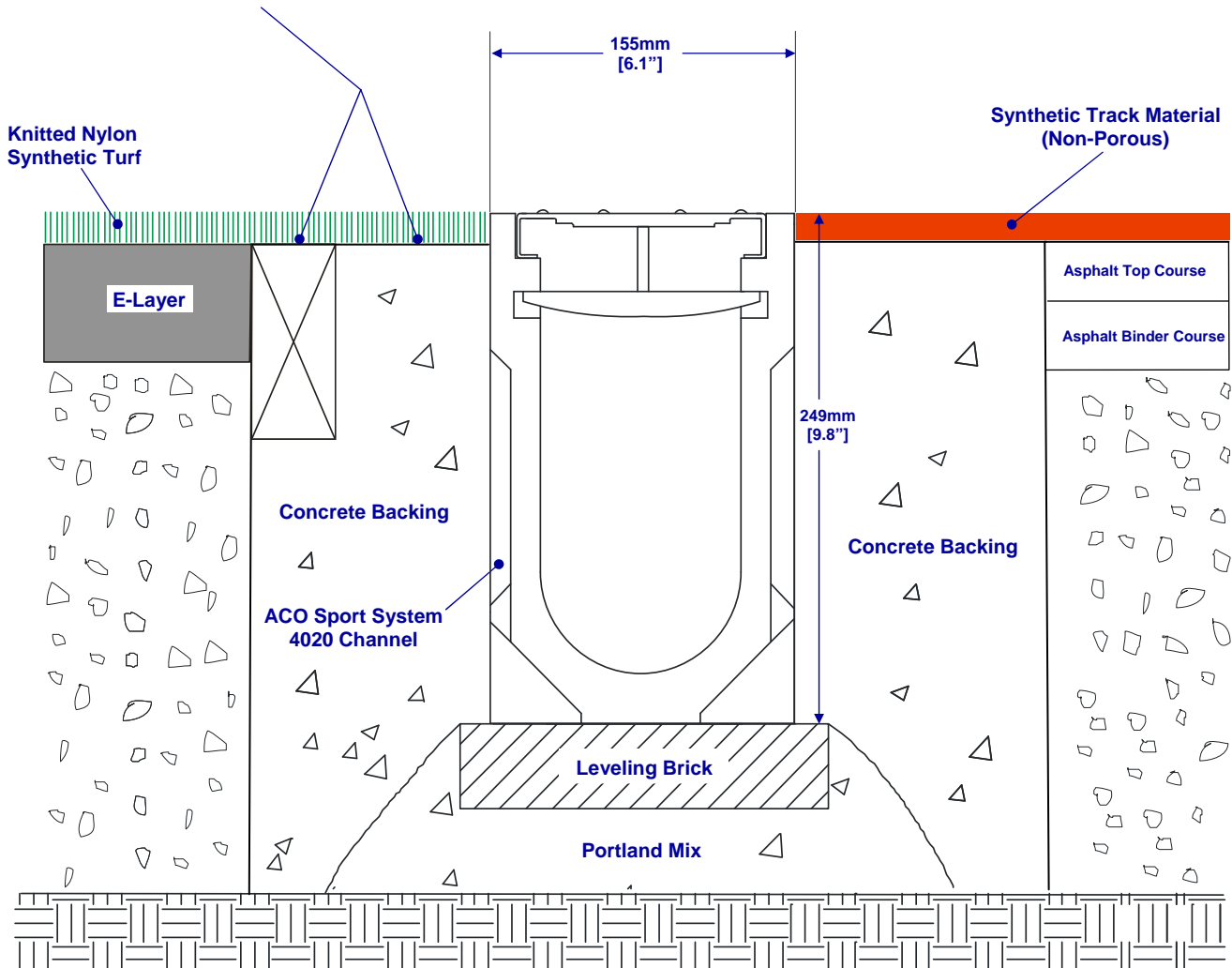
ACO Sport System 4020SE with Safety Edge

NOT TO SCALE

SPORTSFIELD SPECIALTIES INC 05/23/13



Synthetic Turf to be Adhered to Concrete Ledge & Nailed to Pressure Treated 2x4 per Synthetic Turf Manufacturer's Recommendations



Knitted Nylon Synthetic Turf to Synthetic Track Surface Fully Formed Encasement with "Field-Side" Ledge and Nailer

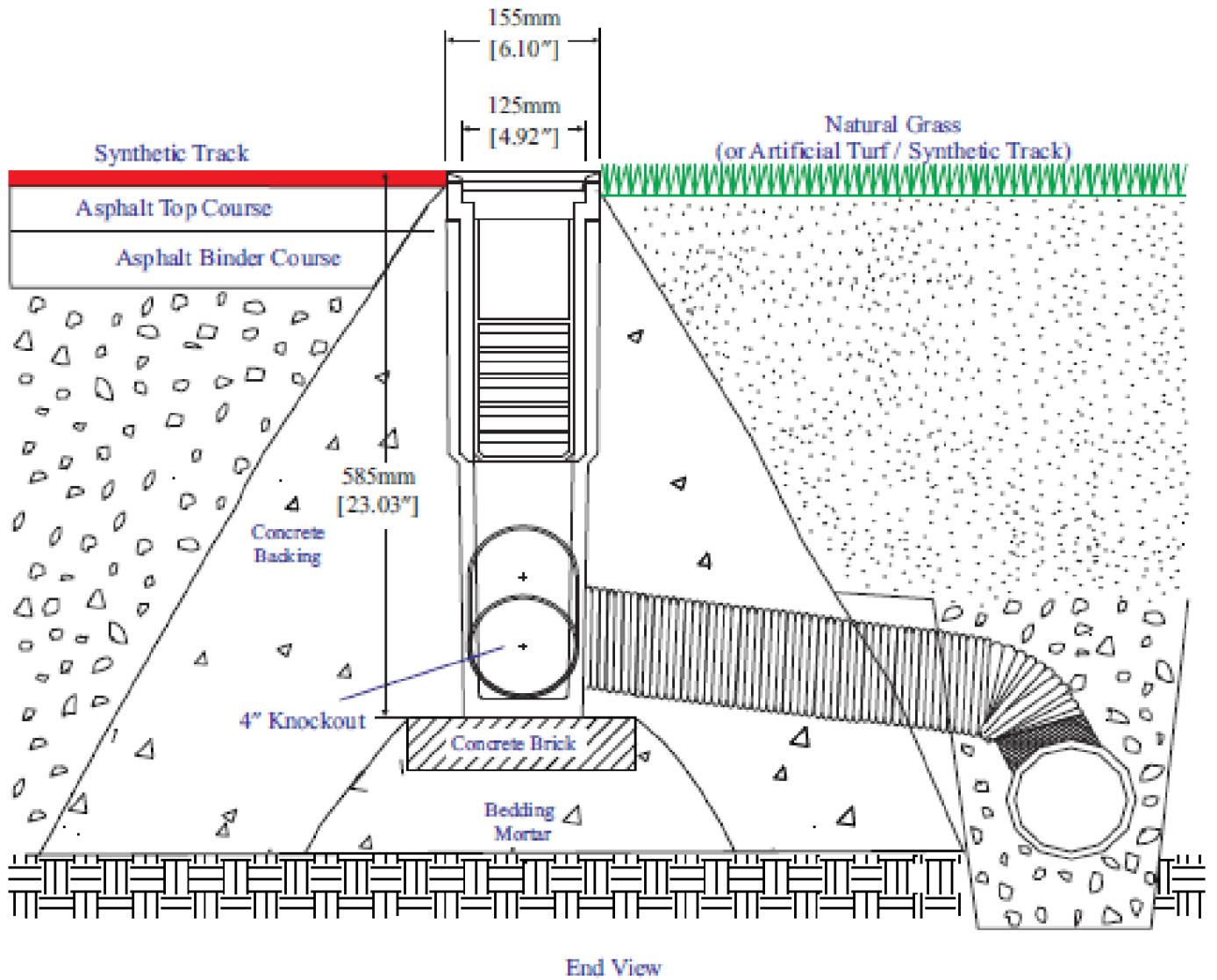
PROPRIETARY AND CONFIDENTIAL
 THE INFORMATION CONTAINED IN THIS DRAWING IS THE SOLE PROPERTY OF SPORTSFIELD SPECIALTIES INC. ANY REPRODUCTION IN PART OR AS A WHOLE WITHOUT THE WRITTEN PERMISSION OF SPORTSFIELD SPECIALTIES INC. IS PROHIBITED.



ACO Sport System 4020 Channel Drain

NOT TO SCALE

SPORTSFIELD SPECIALTIES INC 05/23/13



PROPRIETARY AND CONFIDENTIAL

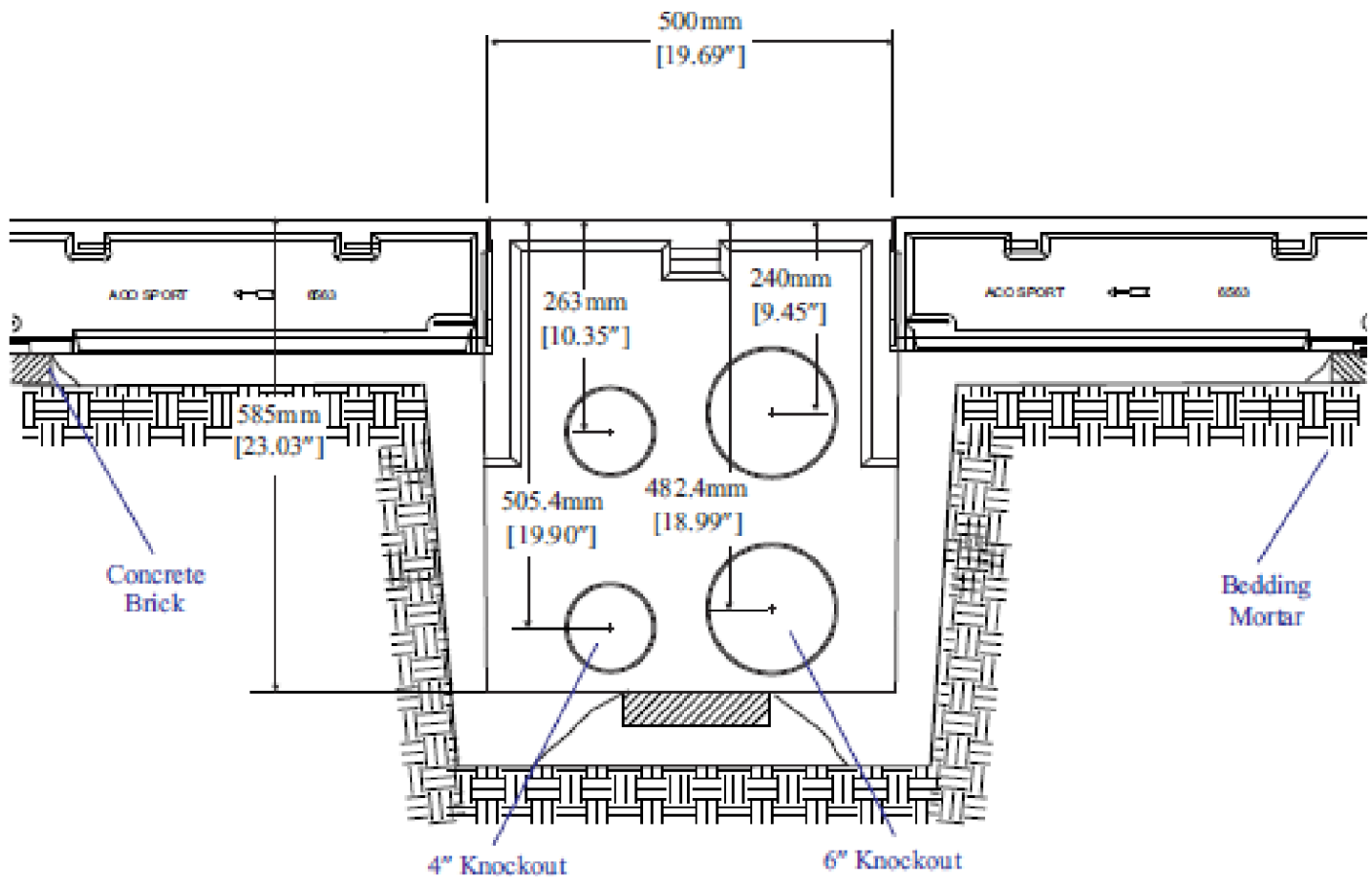
THE INFORMATION CONTAINED IN THIS DRAWING IS THE SOLE PROPERTY OF SPORTSFIELD SPECIALTIES INC. ANY REPRODUCTION IN PART OR AS A WHOLE WITHOUT THE WRITTEN PERMISSION OF SPORTSFIELD SPECIALTIES INC. IS PROHIBITED.

**ACO SPORT SYSTEM 4000
 CATCH BASIN - END VIEW**

NOT TO SCALE

SPORTSFIELD SPECIALTIES INC 08012012

ACO SPORT 



Side View

PROPRIETARY AND CONFIDENTIAL

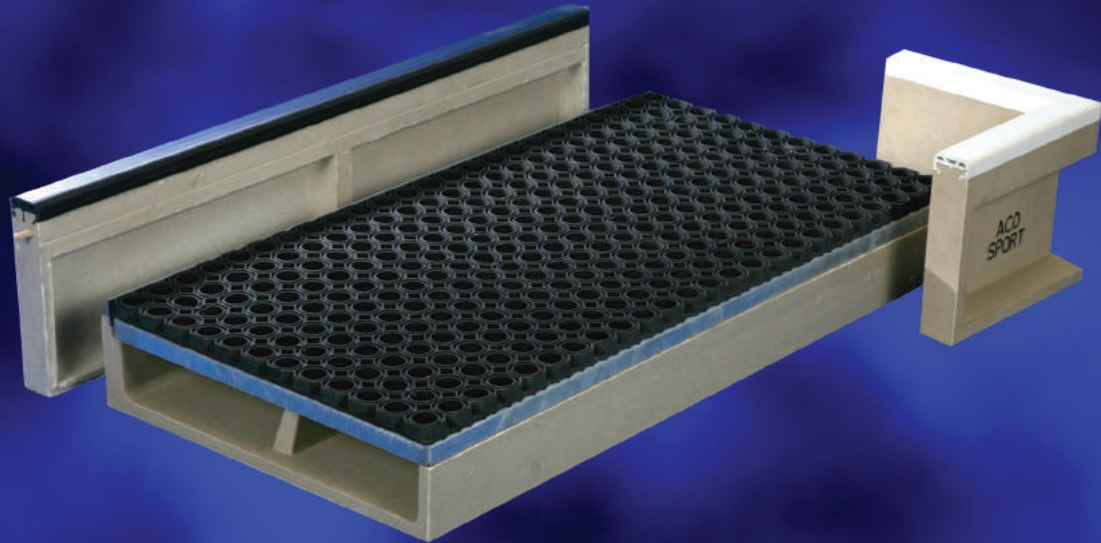
THE INFORMATION CONTAINED IN THIS DRAWING IS THE SOLE PROPERTY OF SPORTSFIELD SPECIALTIES INC. ANY REPRODUCTION IN PART OR AS A WHOLE WITHOUT THE WRITTEN PERMISSION OF SPORTSFIELD SPECIALTIES INC. IS PROHIBITED.

**ACO SPORT SYSTEM 4000
 CATCH BASIN - SIDE VIEW**

NOT TO SCALE

SPORTSFIELD SPECIALTIES INC 08012012

Surface Drainage and
Building Elements



ACO SPORT

System 7000 Product Brochure

Long Jump Pit Systems and Elastic Curbing



System 7000

ACO Sport System 7000 offers a range of long jump pit and bordering products that provide a cellular TPE (thermoplastic elastomer) rubber top to provide a soft, safe edge to reduce injury.

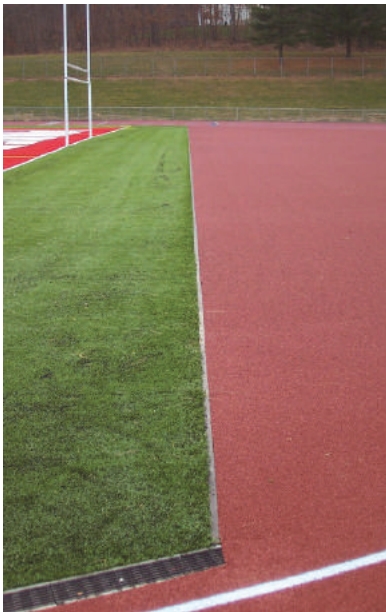
System 7100 Elastic Curbing

Polymer concrete curbing with TPE rubber cap, used to reduce and prevent injury, especially around long jump pits, play areas and other borders between surfaces at sports fields.

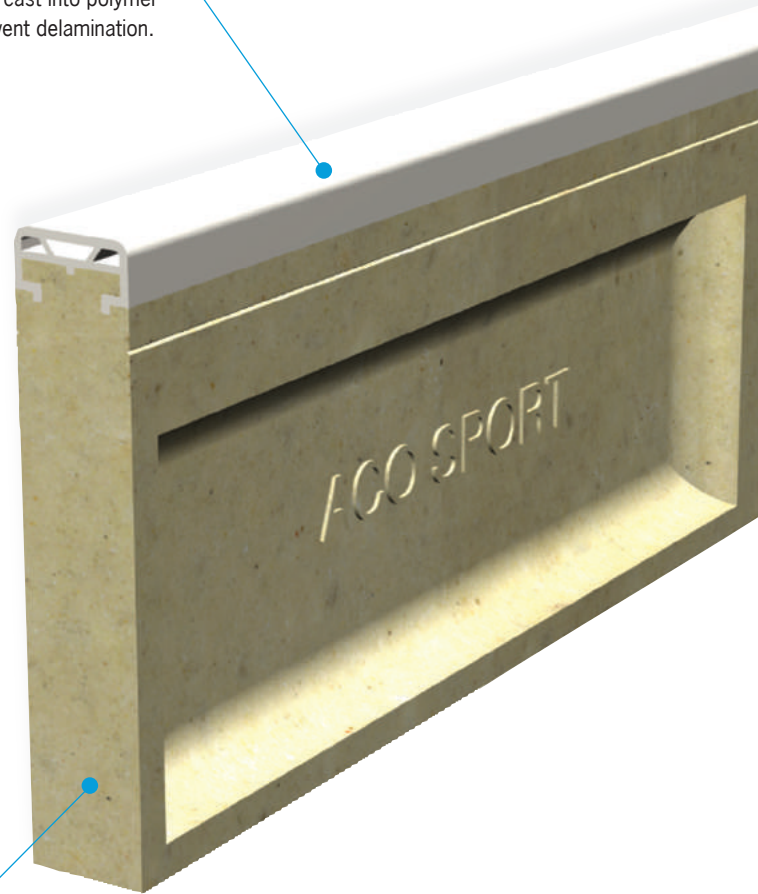
Can also provide a safe visual border in long jump runways and between different sport surfaces, such as between in-field turf and 'D' areas.

Also ideal for containing loose surfaces such as cinder, clay or sand.

System 7100 elastic curbs are available in two sizes with either a white or black TPE cap.

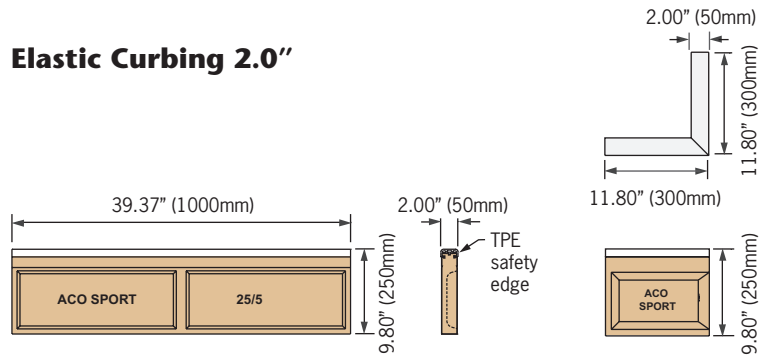


Cellular TPE rubber cap - provides a soft, safe edge to reduce injury. Ultraviolet and weather resistant cap provides long service life. Integrally cast into polymer concrete curb to prevent delamination.

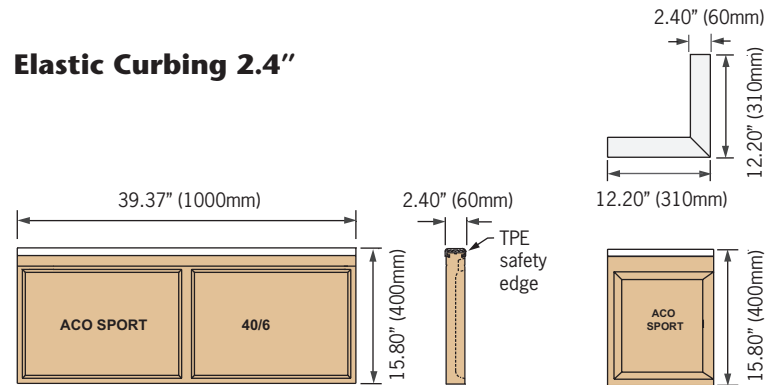


Choice of sizes - 2.0" and 2.4" with corner units to provide a neat 90° angle, other angles can be created, on site, by mitering straight units.

Elastic Curbing 2.0"



Elastic Curbing 2.4"



System 7100 - Elastic Curbing

	Part No	Length in (mm)	Overall Depth in (mm)	Weight lbs
Elastic curbing				
Straight 2.0" white	00962	39.37 (1000)	9.8 (249)	31.8
Straight 2.0" black	00960	39.37 (1000)	9.8 (249)	31.8
Straight 2.4" white	00964	39.37 (1000)	15.8 (400)	45.6
Corner 2.0" white	00968	11.8 (300)	9.8 (249)	17.0
Corner 2.0" black	01041	11.8 (300)	9.8 (249)	17.0
Corner 2.4" white	00969	12.2 (310)	15.8 (400)	26.5

Choice of colors - white or black to complement or contrast with paving materials.



Profiled side walls - provide additional strength and anchor curbing securely in concrete surround.

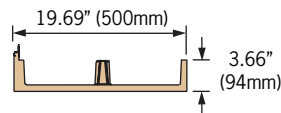
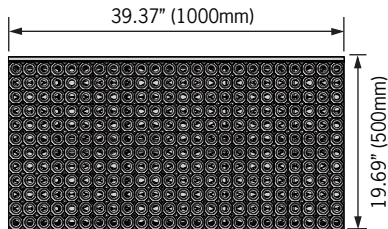


System 7200 Sand Traps

Sand traps help prevent large quantities of sand being left on the track surface around long jump pits as it can quickly wear away and damage the track surface.

System 7200 sand traps collect sand splash around long jump pits, reducing abrasion damage to surrounding track surface.

Sand traps are commonly used in a single row along the sides and end of the long jump pit.



	Part No	Length in (mm)	Overall Depth in (mm)	Weight lbs
Elastic curbing				
Sand trap	02739	39.37 (1000)	5.7 (145)	72.8
Metal grate & rubber mat	01453	39.37 (1000)	1.9 (48)	32.0
End cap	02740	19.69 (500)	6.8 (200)	12.0

Note: This table is for use if using sand traps only not the modular jump pit system.

System 7300 Modular Long Jump Pit Systems

In order to make the creation of long jump pits easier a modular concept has been introduced to suit the three most common sizes required; high school, college (NCAA) and international (IAAF).

The system comprises of TPE capped curbs with a 2" interior ledge to support the aluminum covers and optional sand traps fabricated to fit around the curbs.

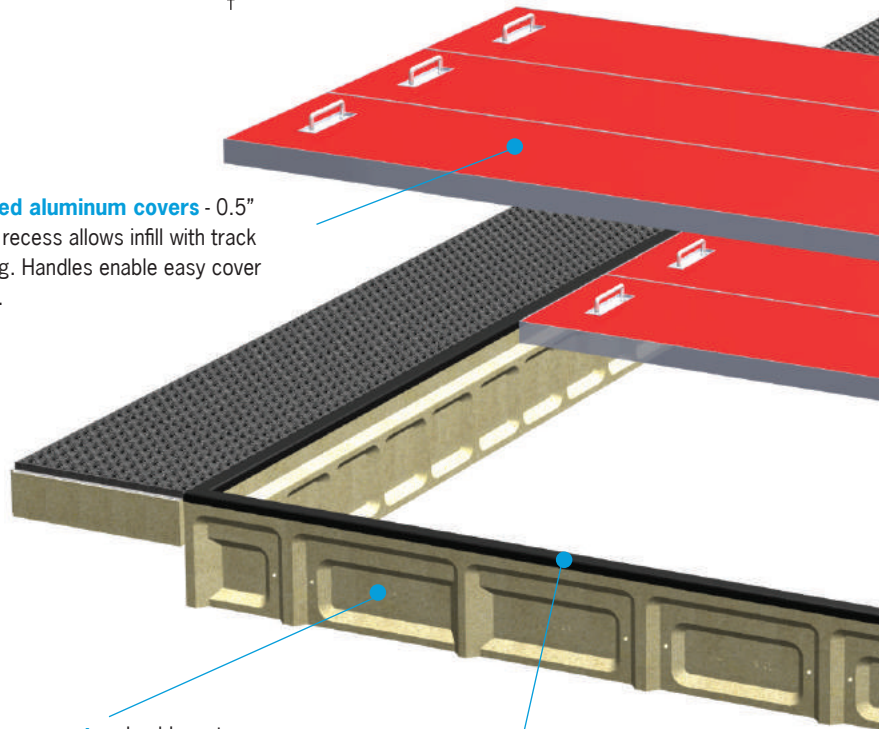
Two sand trap options exist;

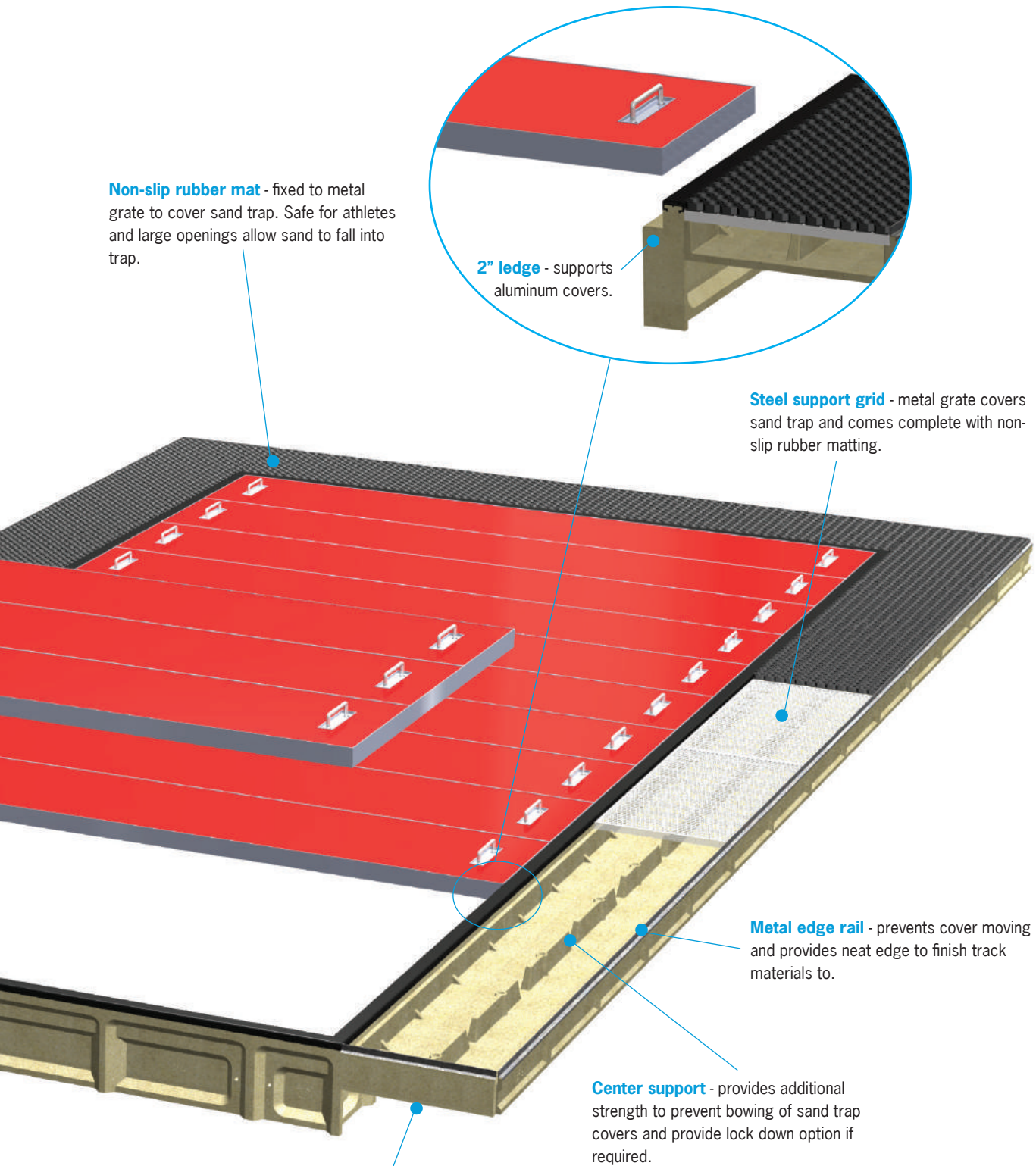
- 'Flushend' that fit around 3 sides, (as shown right)
- 'Wraparound' sand traps wrap around the front of the curbs to the runway.

Recessed aluminum covers - 0.5" (12mm) recess allows infill with track surfacing. Handles enable easy cover removal.

Polymer concrete - durable, yet lightweight, material made from polyester resin binder reinforced by mineral aggregates and fillers. Provides up to four times the compressive strength of cement concrete. Offers a thermal expansion ratio similar to the concrete surround, particularly important to prevent 'buckling.'

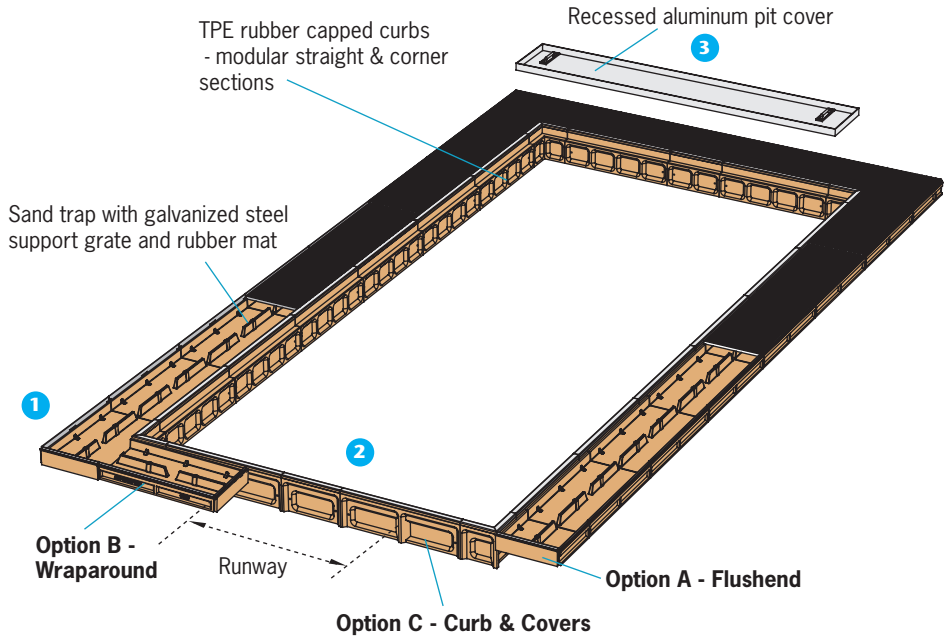
Cellular TPE rubber cap - provides a soft, safe edge to reduce injury. Ultraviolet and weather resistant cap provides long service life. Integrally cast into polymer concrete curb to prevent delamination. Available in black or white.



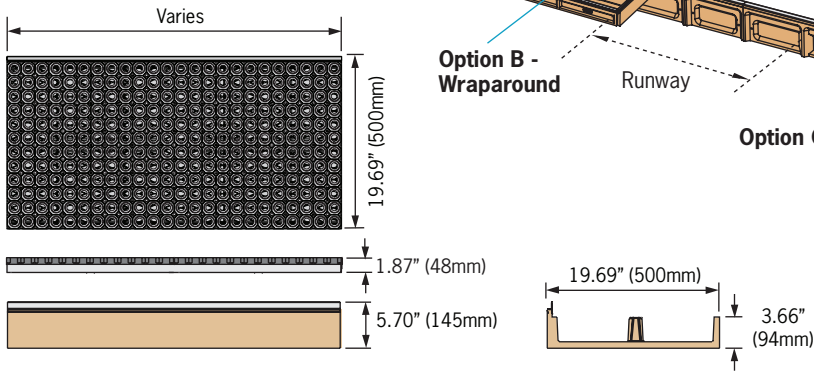


Bottom outlet - optional 4" bottom drill-out in the base to drain rainwater from the trap. One outlet per side of the sand trap is recommended.

System 7300 Modular Long Jump Pit Systems

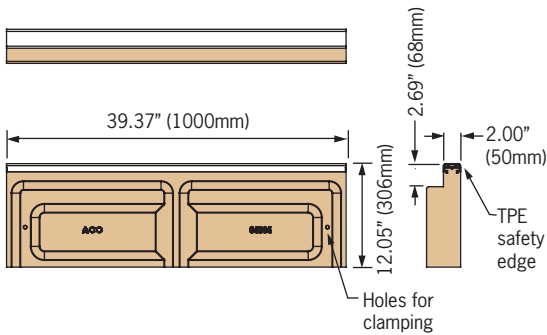


Sand Traps 1

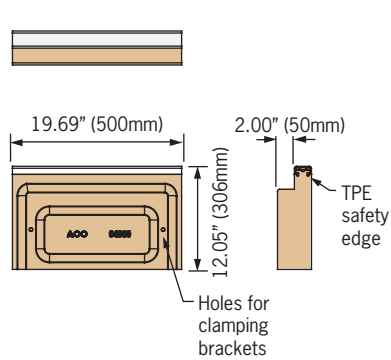


EPDM Curbs 2

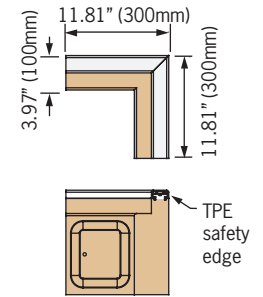
One meter curb



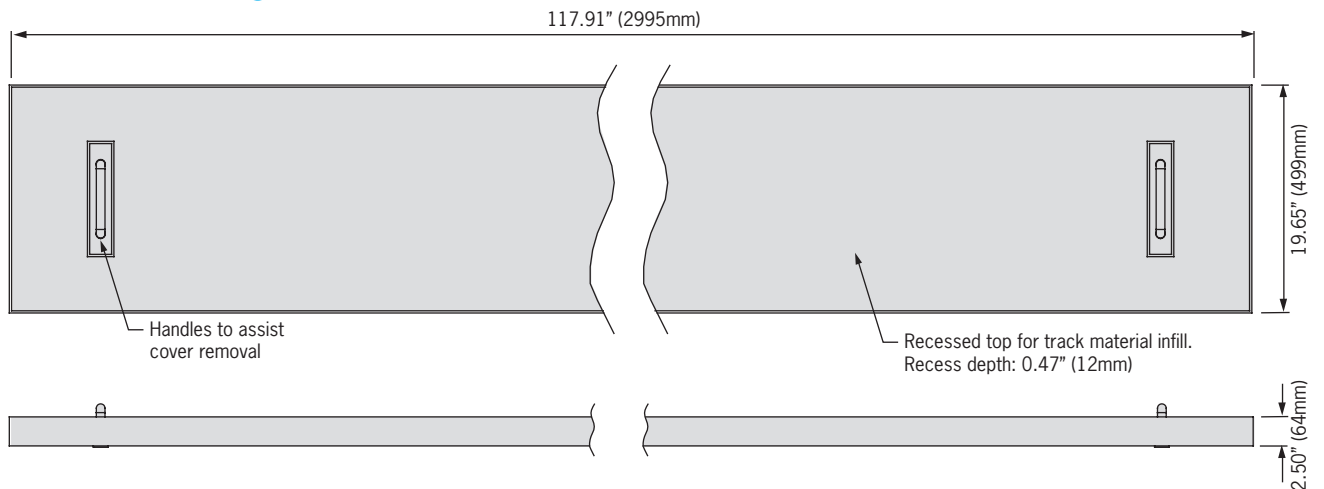
Half meter curb



Corner curb



Aluminum Cover 3



System 7300 - Parts Table

	Part No	Weight lbs
System 7310 - High School Jump Pits - internal size (3m wide x 6.5m long)		
Option A - Flushend		
Jump Pit System (curbs, sand traps & covers) Flushend - Black	91021	3998.0
Jump Pit System (curbs, sand traps & covers) Flushend - White	91018	3998.0
Option B - Wraparound		
Jump Pit System (curbs, sand traps & covers) Wraparound - Black	91008	4318.0
Jump Pit System (curbs, sand traps & covers) Wraparound - White	91025	4318.0
Option C - Curb & Cover		
Jump Pit System (curbs, & covers) - Black	91023	2215.0
Jump Pit System (curbs, & covers) - White	91040	2215.0
System 7320 - College (NCAA) Jump Pits - internal size (3m wide x 7.5m long)		
Option A - Flushend		
Jump Pit System (curbs, sand traps & covers) Flushend - Black	91032	4433.0
Jump Pit System (curbs, sand traps & covers) Flushend - White	91031	4433.0
Option B - Wraparound		
Jump Pit System (curbs, sand traps & covers) Wraparound - Black	91045	4791.0
Jump Pit System (curbs, sand traps & covers) Wraparound - White	91038	4791.0
Option C - Curb & Cover		
Jump Pit System (curbs, & covers) - Black	91027	2475.0
Jump Pit System (curbs, & covers) - White	91016	2475.0
System 7330 - International (IAAF) Jump Pits - internal size (3m wide x 8.5m long)		
Option A - Flushend		
Jump Pit System (curbs, sand traps & covers) Flushend - Black	91017	4,906.0
Jump Pit System (curbs, sand traps & covers) Flushend - White	91042	4,906.0
Option B - Wraparound		
Jump Pit System (curbs, sand traps & covers) Wraparound - Black	91028	5,264.0
Jump Pit System (curbs, sand traps & covers) Wraparound - White	91047	5,264.0
Option C - Curb & Cover		
Jump Pit System (curbs, & covers) - Black	91036	2,735.0
Jump Pit System (curbs, & covers) - White	91009	2,735.0
Accessories		
Jump Pit System Assembly Kit	91046	48.5





ACO Sport products

- **System 2000**
The premier slotted running track drain system used on IAAF tracks.
- **System 3000**
The economical, general purpose running track slot drain system used by colleges and schools.
- **System 4000**
An open channel drain with removable grates. Ideal for tennis courts and general sportsfield use.
- **System 7000**
Rubber capped safety curbs and sand traps to fit around jump pits and playgrounds.
- **System 8000**
A series of accessories for water jump, pole vault and throwing disciplines.
- **System 9000**
A simple polymer concrete stadium terracing and seating system for college and school facilities.

ACO, Inc.

West Sales Office
825 W. Beechcraft St.
Casa Grande, AZ 85122
Tel: (520) 421-9988
Toll Free: (888) 490-9552
Fax: (520) 421-9899

Northeast Sales Office
9470 Pinecone Drive
Mentor, OH 44060
Tel: (440) 639-7230
Toll free: (800) 543-4764
Fax: (440) 639-7235

Southeast Sales Office
4211 Pleasant Road
Fort Mill, SC 29708
Toll free: (800) 543-4764
Fax: (803) 802-1063

Electronic Contact:
info@acousa.com
www.acosport.us



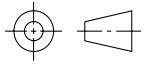
© May 2018 ACO, Inc.

All reasonable care has been taken in compiling the information in this document. All recommendations and suggestions on the use of ACO products are made without guarantee since the conditions of use are beyond the control of the Company. It is the customer's responsibility to ensure that each product is fit for its intended purpose and that the actual conditions of use are suitable. ACO, Inc. reserves the right to change products and specifications without notice.

Re-order Part # AS007

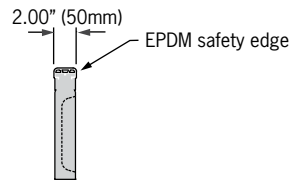
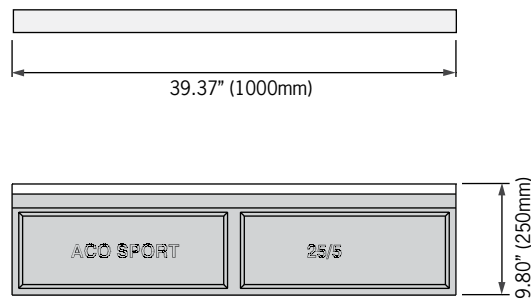
System 7000

7100 Elastic curbing for sport and play areas

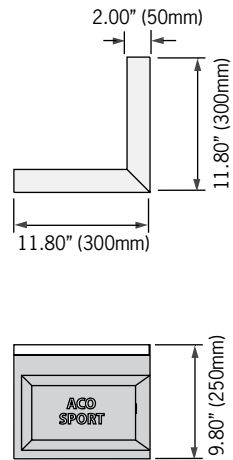


2 inch wide system

Straight curb section

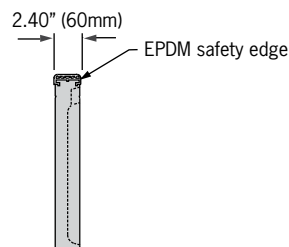
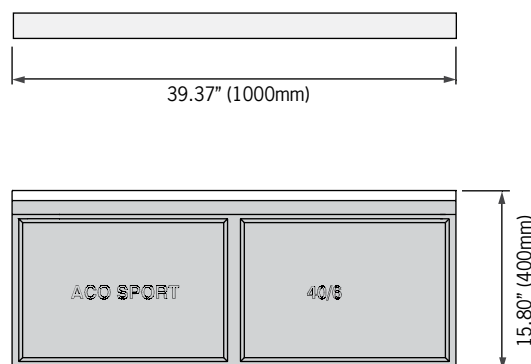


Corner unit

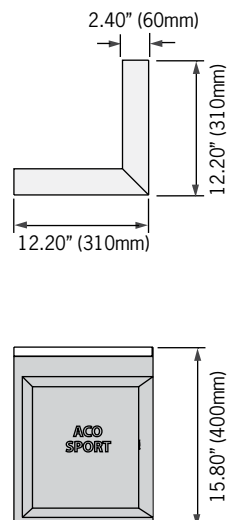


2.4 inch wide system

Straight curb section



Corner unit



ACO Specification Information



System 7100 Elastic curbing

ACO Specification Information

Description	Part No.	Overall Depth		Weight lbs.
		inches	mm	
2 inch curb sections				
2.0" white straight curb - 39.37" (1m)	00962	9.80	250	31.8
2.0" white corner curb	00968	9.80	250	17.0
2.0" black straight curb - 39.37" (1m)	00960	9.80	250	31.8
2.0" black corner curb	01041	9.80	250	17.0
2.4 inch curb sections				
2.4" white straight curb - 39.37" (1m)	00964	15.80	400	45.6
2.4" white corner curb	00969	15.80	400	26.5

Part I - General

- 1.1 **Related Work** - Work specified in other sections includes but is not limited to: Excavation and backfill, cast-in-place concrete, and mechanical equipment.
- 1.2 **System Description** - Modular elastic curbing pre-cast from corrosion resistant polyester polymer concrete for on-site installation.
- 1.3 **Submittals** - Manufacturer will submit, when required, shop drawings showing schematic plan of total curb/bordering system listing all parts being provided with exact center-line dimensions suitable for installation. Copies of the manufacturer's recommended method of installation, assembly, and anchorage shall be submitted for review.
- 1.4 **Project History** - Manufacturer shall submit a list of projects installed during the past twenty years, if required.
- 1.5 **Warranty** - ACO provides a limited warranty of one year based on installation according to manufacturer's installation instruction data.

Part II - Product

- 2.1 **Products** - Manufacturer shall be ACO Polymer Products, Inc.
- 2.2 **Physical & Mechanical Characteristics**
 - Overall width - 2.00 inches (50mm), or 2.40 inches (60mm)
 - Unit depth - 9.80 inches (250mm), or 15.80 inches
 - Unit length - 39.37 inches (1000mm)
 - Compressive strength - 14,000 psi
 - Flexural strength - 4,000 psi
 - Water absorption rate - <0.1% by weight
- 2.3 **Elastic Curb Profile** - Shall include an integrally cast EPDM rubber safety edge. Each pre-cast polymer concrete unit shall be one meter (39.37") long. Corner units are available to create a 90° angle.

Part III - Installation

- 3.1 **Site Preparation** - Excavate area for curb placement wide enough and deep enough to accommodate the curb and a minimum of 4 inches (100mm) concrete encasement. Units require a minimum of 4 inches (100mm) of concrete support on both sides as well as beneath curb. A string line or laser should be used to set curbs at the required level.
- 3.2 **Installation** - Curb sections are installed end to end. Each section shall be placed on brick or low slump concrete slurry to obtain correct finished elevation. If cuts are required a masonry or concrete saw may be used. Cover EPDM safety edge with tape or plastic to protect the surface during concrete pour.
- 3.3 **Finishing and Clean-up** - Following final set of concrete, remove protection covering the top of the curbs.
- 3.4 **Install in strict accordance with manufacturer's recommendations and drawings. Details available at www.acousa.com/install_drawings_sport.htm**

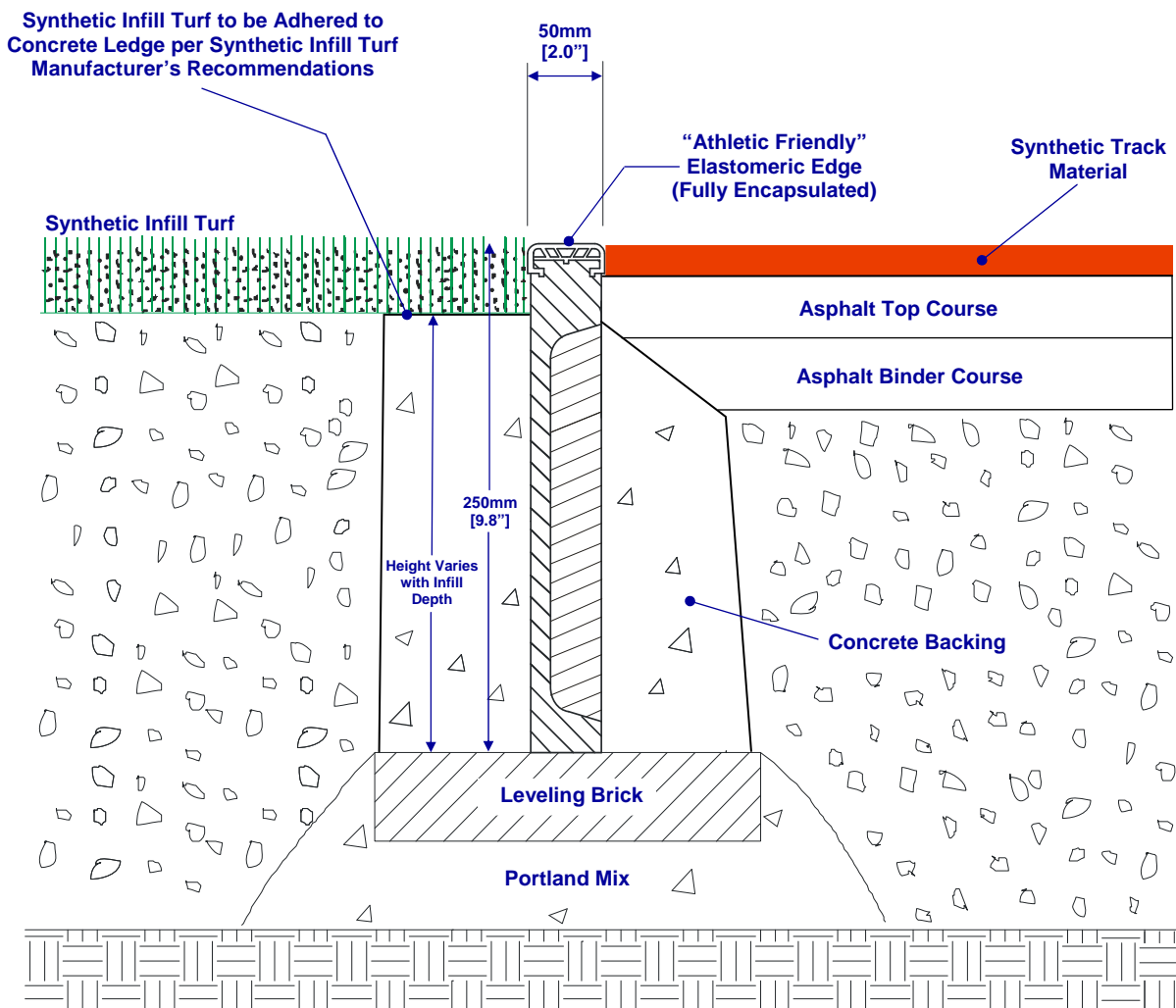
ACO Polymer Products, Inc.

East Sales Office
 P.O. Box 245
 Chardon, OH 44024
 Tel: (440) 285-7000
 Toll free: (800) 543-4764
 Fax: (440) 285-7005

West Sales Office
 P.O. Box 12067
 Casa Grande, AZ 85230
 Tel: (520) 421-9988
 Toll Free: (888) 490-9552
 Fax: (520) 421-9899

Electronic Contact:
info@acousa.com
www.acousa.com





Synthetic Infill Turf to Synthetic Track Surface
“Field-Side” Ledge & Sloped Away “Track-Side” Encasement

PROPRIETARY AND CONFIDENTIAL
 THE INFORMATION CONTAINED IN THIS
 DRAWING IS THE SOLE PROPERTY OF
 SPORTSFIELD SPECIALTIES INC. ANY
 REPRODUCTION IN PART OR AS A WHOLE
 WITHOUT THE WRITTEN PERMISSION OF
 SPORTSFIELD SPECIALTIES INC. IS
 PROHIBITED.



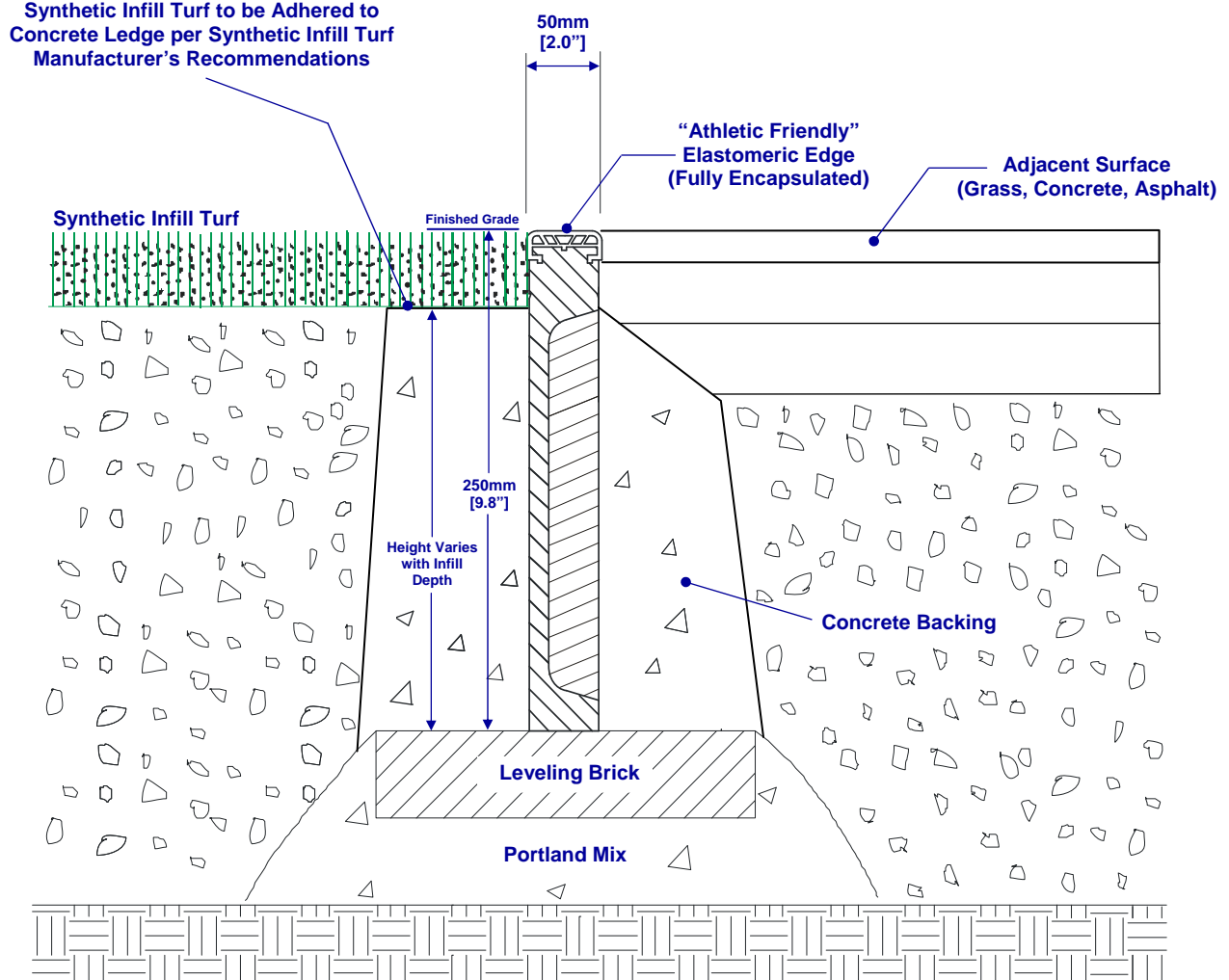
ACO Sport System 7000 Elastic Curb

NOT TO SCALE

SPORTSFIELD SPECIALTIES INC 05/23/13



Synthetic Infill Turf to be Adhered to Concrete Ledge per Synthetic Infill Turf Manufacturer's Recommendations



**Synthetic Infill Turf to Synthetic Track Surface
 Non-Formed "Field-Side" Ledge & Sloped Away Encasement**

PROPRIETARY AND CONFIDENTIAL
 THE INFORMATION CONTAINED IN THIS
 DRAWING IS THE SOLE PROPERTY OF
 SPORTSFIELD SPECIALTIES INC. ANY
 REPRODUCTION IN PART OR AS A WHOLE
 WITHOUT THE WRITTEN PERMISSION OF
 SPORTSFIELD SPECIALTIES INC. IS
 PROHIBITED.



ACO Sport System 7000 Elastic Curb

NOT TO SCALE

SPORTSFIELD SPECIALTIES INC 05/23/13