

SPORTSFIELD SPECIALTIES

www.sportsfield.com | 888-975-3343

*Excellence from
Design to Installation*



Indoor Padding & Mats



Sportsfield Specialties, Inc. 41155 State Hwy 10. Delhi, NY 13753



Indoor Wall Padding

Product Overview

- Class A fire rated indoor vinyl and 2" high impact bonded or fire rated foam
- Offered in a wide variety of standard colors and sizes
- Optional high resolution digitally printed graphics / lettering
- All products exceed ASTM F2440-11 impact requirements
- Standard pads rated F2440-11 - Gmax: 123 / HIC: 428
- ProSafe premium pads rated F2440-11 - Gmax: 94 / HIC 286
- ProSafe premium pads fire rated ASTM E-84 - FSI:20 / SDI: 350 (Class A)

Item Number	Product Description
WCHI262	Standard indoor wall pad - 2'W x 6'H, attachment lips
WCHI262DG	Standard indoor wall pad with digital graphics - 2'W x 6'H, attachment lips
WCXFR262	ProSafe premium indoor wall pad - 2'W x 6'H, attachment lips
WCXFR262DG	ProSafe premium indoor wall pad with digital graphics - 2'W x 6'H, attachment lips
WZHI262	Standard indoor wall pad - 2'W x 6'H, z-clip top and attachment lip bottom
WZHI262DG	Standard indoor wall pad with digital graphics - 2'W x 6'H, z-clip top and attachment lip bottom
WZXR262	ProSafe premium indoor wall pad - 2'W x 6'H, z-clip top and attachment lip bottom
WZXR262DG	ProSafe premium indoor wall pad with digital graphics - 2'W x 6'H, z-clip top and attachment lip bottom
WZTBHI262	Standard indoor wall pad - 2'W x 6'H, double z-clip
WZTBHI262DG	Standard indoor wall pad with digital graphics - 2'W x 6'H, double z-clip
WZTBXFR262	ProSafe premium indoor wall pad - 2'W x 6'H, double z-clip
WZTBXFR262DG	ProSafe premium indoor wall pad with digital graphics - 2'W x 6'H, double z-clip

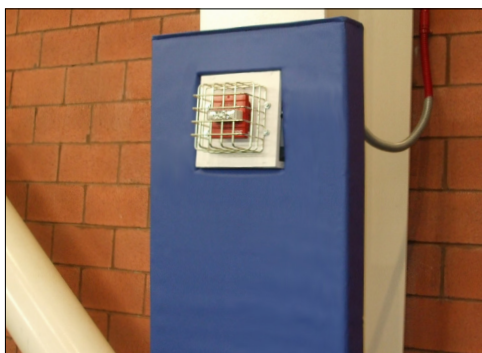


Column Padding

Product Overview

- Pre-engineered designs improve safety and appearance
- Factory produced corners eliminate gaps and ensure impact resilience
- Available in two-sided, three-sided, four-sided, and tapered configurations
- Customized to satisfy dimensional requirements of each application
- Offered with the same performance attributes as indoor wall padding
- Optional high resolution digitally printed graphics / lettering

Item Number	Product Description
COPHI	Standard indoor column pad with attachment lips
COPXFR	ProSafe premium indoor column pad with attachment lips
COPZHI	Standard indoor column pad with z-clip top and attachment lip bottom
COPZXFR	ProSafe premium indoor column pad with z-clip top and attachment lip bottom
COPZTBHI	Standard indoor column pad with double z-clip
COPZTBXFR	ProSafe premium indoor column pad with double z-clip



I-Beam Padding

Product Overview

- Protect exposed I-Beams commonly found in indoor facilities
- Designed to wrap the face and front edges of the steel beam
- Class A fire rated indoor vinyl and 1-1/4" high impact XPE foam construction
- Secure to self-adhesive Velcro® strips placed on the opposite side
- Custom heights, width, and cutouts available upon request

Item Number	Product Description
IBHI6	6" I-beam pad
IBHI8	8" I-beam pad
IBHI10	10" I-beam pad
IBHI12	12" I-beam pad



Dasher Board Padding

Product Overview

- "L" shaped pads designed specifically for dasher boards
- Provides protection for the top and face of the board
- Ideal for arena football and ice hockey applications
- Utilize interchangeable digitally printed advertisements
- Pads feature 3" or 5" high impact polyurethane and XPE foam - 8' wide x 42" to 48" tall
- Secure to self-adhesive Velcro® strips on spectator side of boards
- Used by 50+ arena football stadiums nationwide

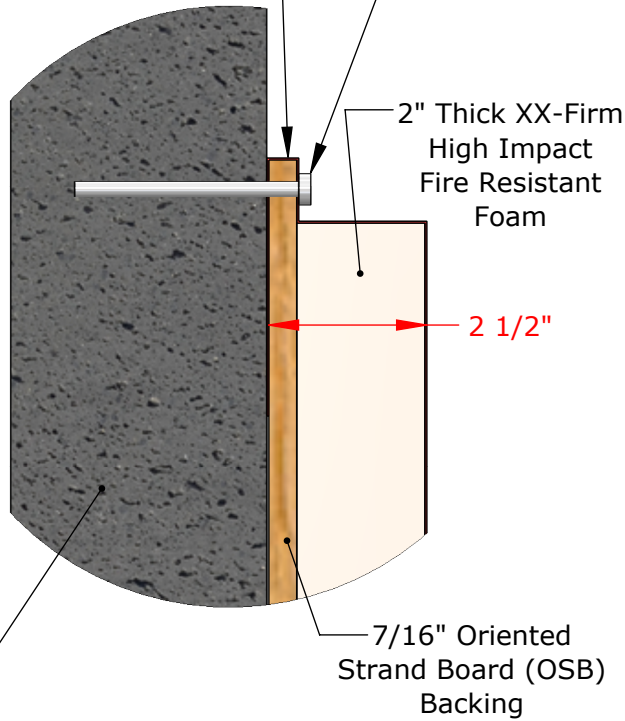
	Product Description
DBPCF3	3" Foam dasher board padding
DBPCF5	5" Foam dasher board padding

Meets/Exceeds ASTM E-84 Class A Fire Rating and ASTM F2440-11 Requirements for Impact Absorption

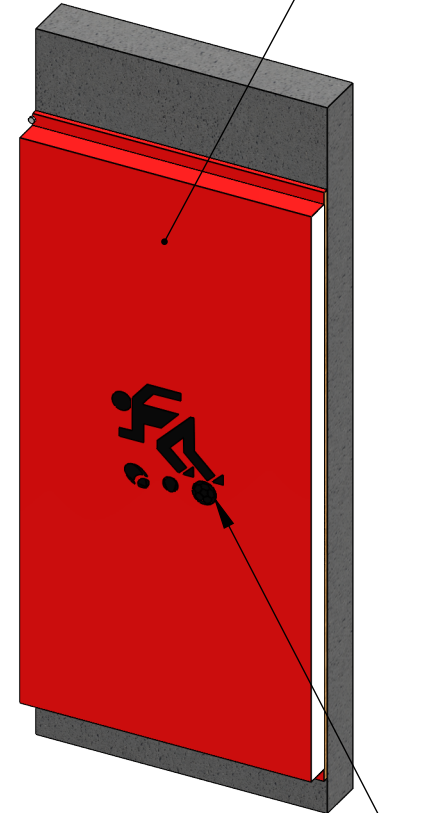
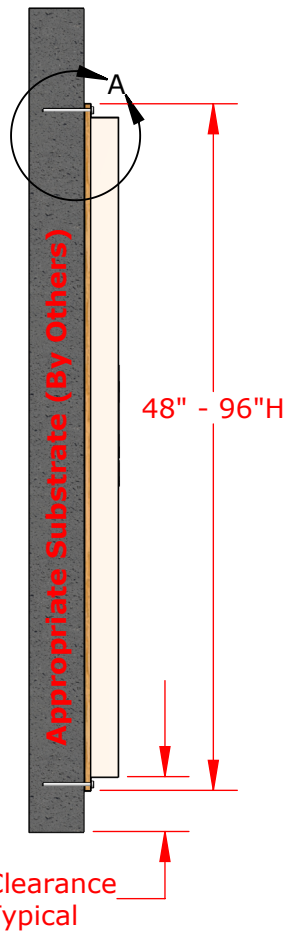
14 oz. Indoor Vinyl, Class A Fire Rated (ASTM E-84), Various Standard Colors Available

1" Vinyl Wrapped Attachment Lips Top and Bottom

Appropriate Fastener Provided By Others



Appropriate Substrate: Masonry, Wood, Drywall, Metal Framing, Etc. (By Others)



Optional Custom Digitally Printed Lettering And/Or Graphics Available

Part Numbers *	Size
WCXFR242/WCXFR242DG	2'W x 4'L x 2.5"D
WCXFR252/WCXFR252DG	2'W x 5'L x 2.5"D
WCXFR262/WCXFR262DG	2'W x 6'L x 2.5"D
WCXFR272/WCXFR272DG	2'W x 7'L x 2.5"D
WCXFR282/WCXFR282DG	2'W x 8'L x 2.5"D
WCXFR-NSS/WCXFRDG-NSS	_ 'W x _ 'L x 2.5"D

*DG Part Number Denotes Custom Digitally Printed Graphics

Final Layout and/or Graphic Rendering to be Completed upon Verification of Field Measurements

PROPRIETARY AND CONFIDENTIAL

THE INFORMATION CONTAINED IN THIS DRAWING IS THE SOLE PROPERTY OF SPORTSFIELD SPECIALTIES INC. ANY REPRODUCTION IN PART OR AS A WHOLE WITHOUT THE WRITTEN PERMISSION OF SPORTSFIELD SPECIALTIES INC. IS PROHIBITED.

WCXFR ProSafe Premium Fire Rated Wall Pad Attachment Lip Top and Bottom

Not To Scale

Sportsfield Specialties Inc 08112020

Meets/Exceeds ASTM E-84 Class A Fire Rating and ASTM F2440-11 Requirements for Impact Absorption

14 oz. Indoor Vinyl, Class A Fire Rated (ASTM E-84), Various Standard Colors Available

1" Vinyl Wrapped Attachment Lips

Top and Bottom

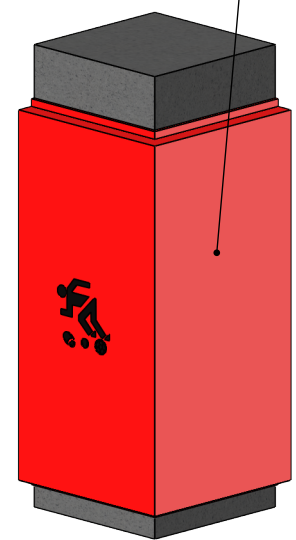
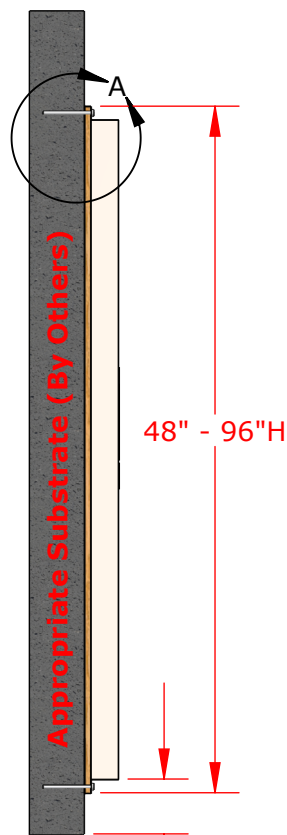
Appropriate Fastener Provided By Others

2" Thick XX-Firm High Impact Fire Resistant Foam

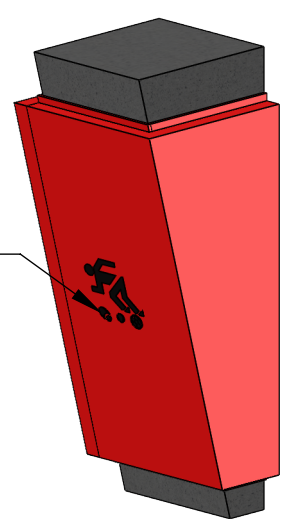
2 1/2"

7/16" Oriented Strand Board (OSB) Backing

Appropriate Substrate: Masonry, Wood, Drywall, Metal Framing, Etc. (By Others)

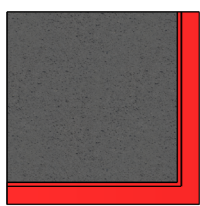


Squared Column Pad

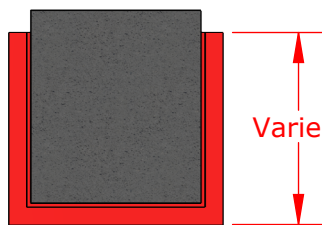


Tapered Column Pad

2 Sided Pad



3 Sided Pad



Varies

Varies

Varies

4" Clearance Typical

Optional Custom Digitally Printed Lettering And/Or Graphics Available

Part Numbers	Description
COP2XFR	2 Sided, Squared
COP2TXFR	2 Sided, Tapered
COP3XFR	3 Sided, Squared
COP3TXFR	3 Sided, Tapered

Final Layout and/or Graphic Rendering to be Completed upon Verification of Field Measurements

PROPRIETARY AND CONFIDENTIAL

THE INFORMATION CONTAINED IN THIS DRAWING IS THE SOLE PROPERTY OF SPORTSFIELD SPECIALTIES INC. ANY REPRODUCTION IN PART OR AS A WHOLE WITHOUT THE WRITTEN PERMISSION OF SPORTSFIELD SPECIALTIES INC. IS PROHIBITED.

COPXFR ProSafe Premium Fire Rated Column Pad Attachment Lip Top and Bottom

Not To Scale

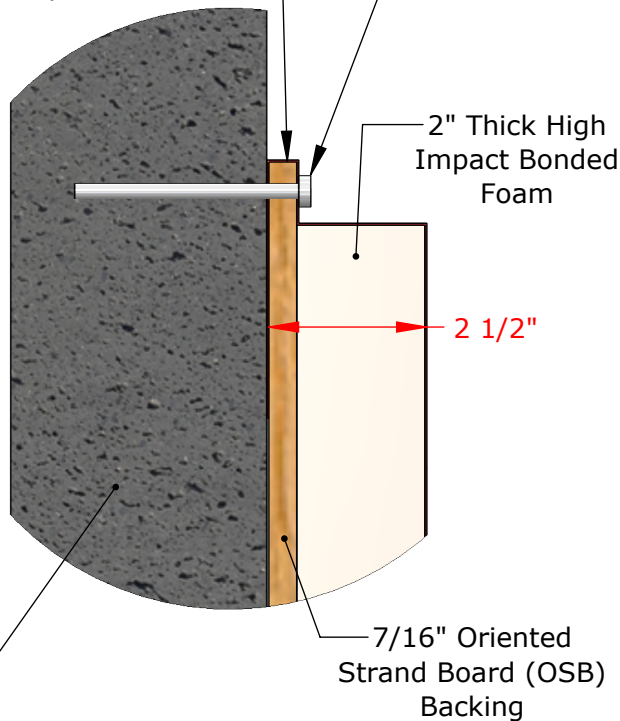
Sportsfield Specialties Inc 08112020

Meets/Exceeds ASTM F2440-11
Requirements for Impact Absorption

14 oz. Indoor Vinyl, Class A Fire Rated (ASTM E-84),
Various Standard Colors Available

1" Vinyl Wrapped Attachment Lips
Top and Bottom

Appropriate Fastener
Provided By Others

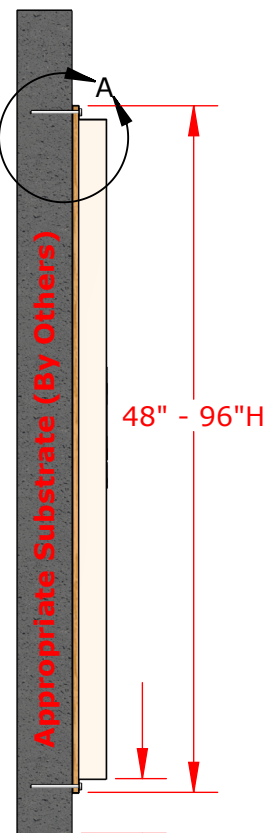


2" Thick High
Impact Bonded
Foam

2 1/2"

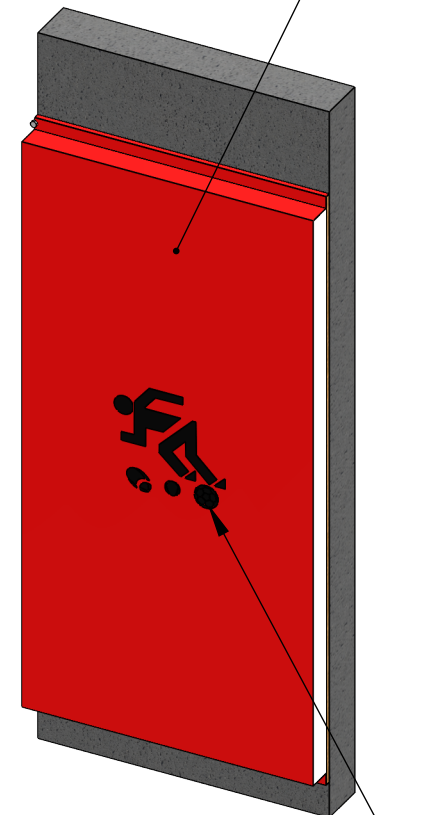
7/16" Oriented
Strand Board (OSB)
Backing

Appropriate Substrate: Masonry,
Wood, Drywall, Metal Framing, Etc.
(By Others)



48" - 96"H

4" Clearance
Typical



Optional Custom
Digitally Printed Lettering
And/Or Graphics Available

Part Numbers *	Size
WCHI242/WCHI242DG	2'W x 4'L x 2.5"D
WCHI252/WCHI252DG	2'W x 5'L x 2.5"D
WCHI262/WCHI262DG	2'W x 6'L x 2.5"D
WCHI272/WCHI272DG	2'W x 7'L x 2.5"D
WCHI282/WCHI282DG	2'W x 8'L x 2.5"D
WCHI-NSS/WCHIDG-NSS	_ 'W x _ 'L x 2.5"D

*DG Part Number Denotes
Custom Digitally Printed
Graphics

Final Layout and/or
Graphic Rendering to be
Completed upon
Verification of Field
Measurements

PROPRIETARY AND CONFIDENTIAL

THE INFORMATION CONTAINED IN
THIS DRAWING IS THE SOLE PROPERTY
OF SPORTSFIELD SPECIALTIES INC.
ANY REPRODUCTION IN PART OR AS A
WHOLE WITHOUT THE WRITTEN
PERMISSION OF SPORTSFIELD
SPECIALTIES INC. IS PROHIBITED.

**WCHI High Impact Wall Pad
Attachment Lip Top and Bottom**

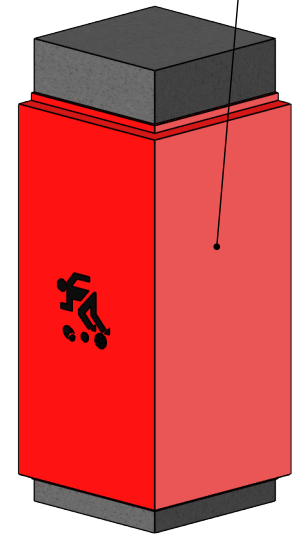
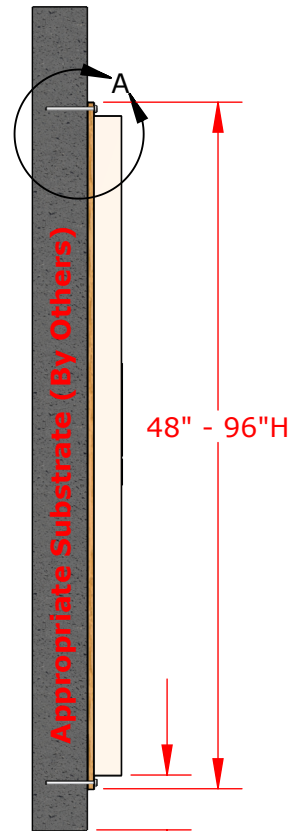
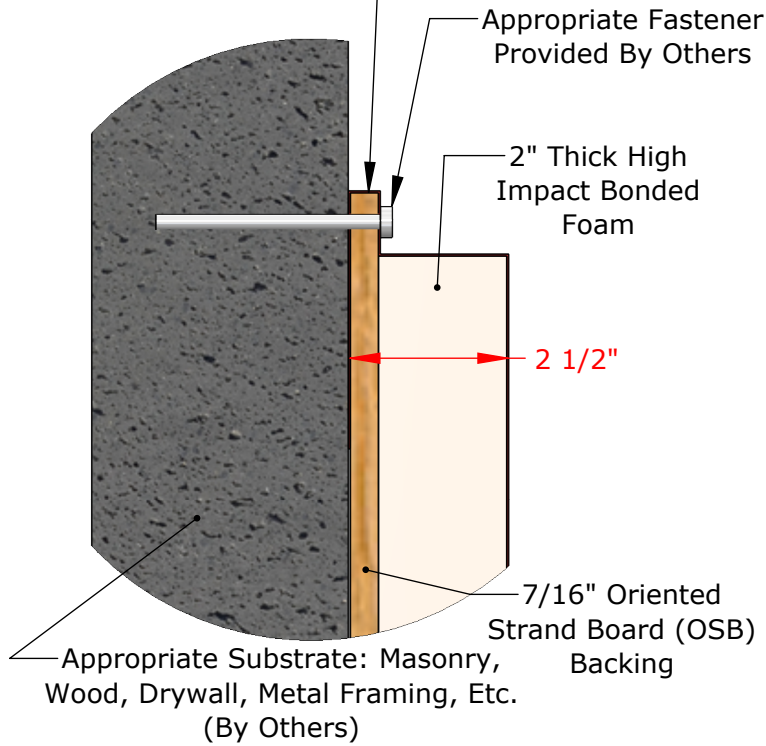
Not To Scale

Sportsfield Specialties Inc 08112020

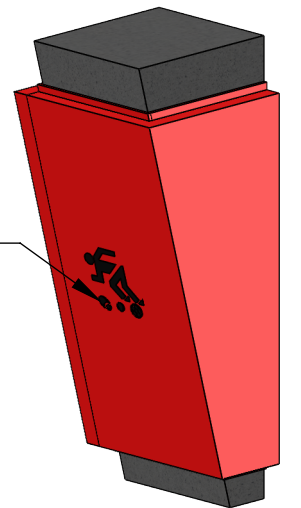
Meets/Exceeds ASTM F2440-11
Requirements for Impact Absorption

14 oz. Indoor Vinyl, Class A Fire Rated (ASTM E-84),
Various Standard Colors Available

1" Vinyl Wrapped Attachment Lips
Top and Bottom

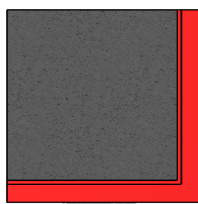


Squared Column Pad

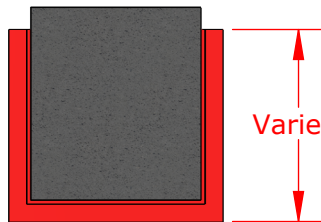


Tapered Column Pad

2 Sided Pad



3 Sided Pad



Varies

Varies

Varies

4" Clearance Typical

Optional Custom Digitally Printed Lettering And/Or Graphics Available

Part Numbers	Description
COP2HI	2 Sided, Squared
COP2THI	2 Sided, Tapered
COP3HI	3 Sided, Squared
COP3THI	3 Sided, Tapered

Final Layout and/or Graphic Rendering to be Completed upon Verification of Field Measurements

COPHI High Impact Column Pad Attachment Lip Top and Bottom

PROPRIETARY AND CONFIDENTIAL

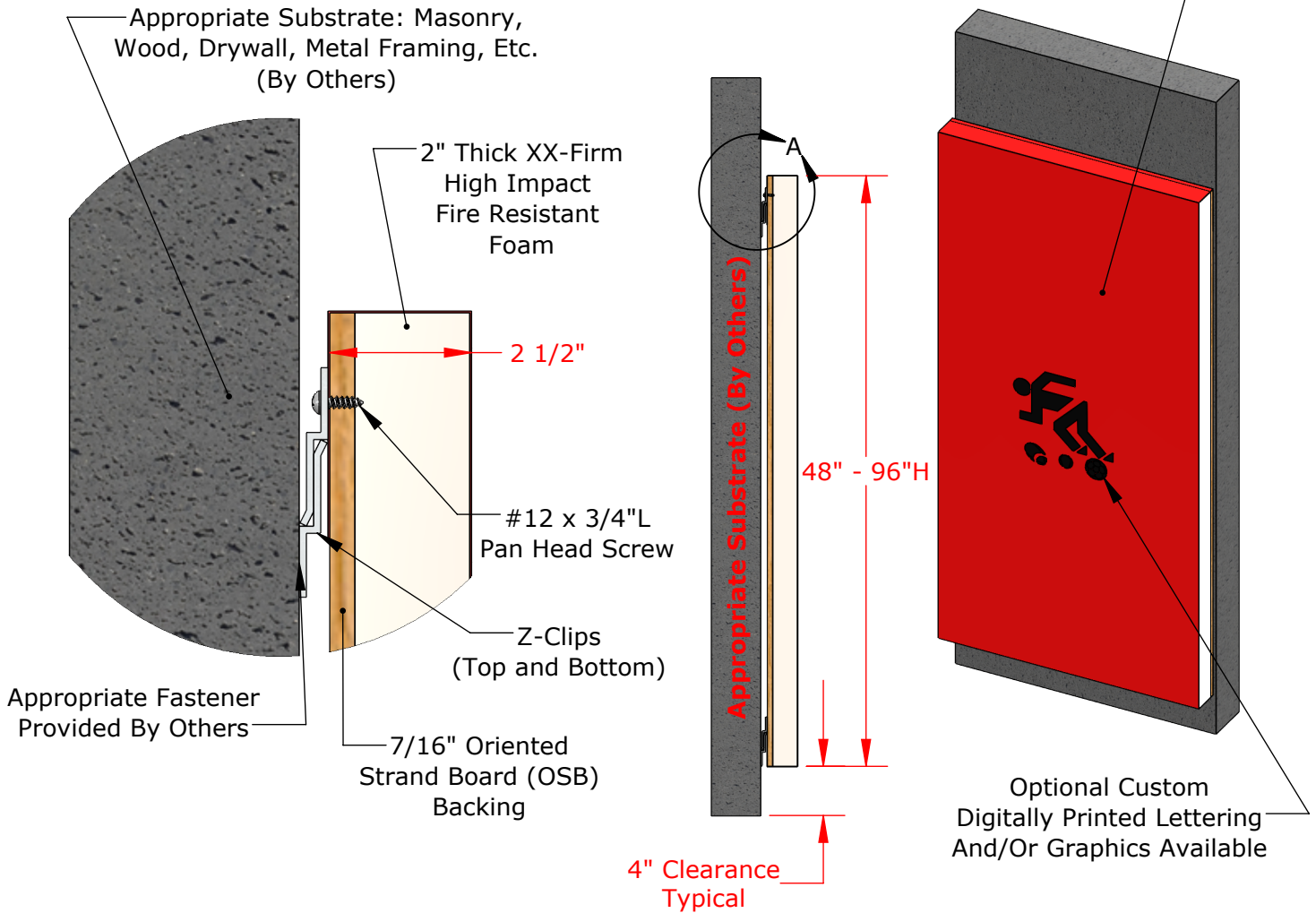
THE INFORMATION CONTAINED IN THIS DRAWING IS THE SOLE PROPERTY OF SPORTSFIELD SPECIALTIES INC. ANY REPRODUCTION IN PART OR AS A WHOLE WITHOUT THE WRITTEN PERMISSION OF SPORTSFIELD SPECIALTIES INC. IS PROHIBITED.

Not To Scale

Sportsfield Specialties Inc 08112020

Meets/Exceeds ASTM E-84 Class A Fire Rating and ASTM F2440-11 Requirements for Impact Absorption

14 oz. Indoor Vinyl, Class A Fire Rated (ASTM E-84), Various Standard Colors Available



Part Numbers *	Size
WZTBXFR242/WZTBXFR242DG	2'W x 4'L x 2.5"D
WZTBXFR252/WZTBXFR252DG	2'W x 5'L x 2.5"D
WZTBXFR262/WZTBXFR262DG	2'W x 6'L x 2.5"D
WZTBXFR272/WZTBXFR272DG	2'W x 7'L x 2.5"D
WZTBXFR282/WZTBXFR282DG	2'W x 8'L x 2.5"D
WZTBXFR-NSS/WZTBXFRDG-NSS	_ 'W x _ 'L x 2.5"D

*DG Part Number Denotes Custom Digitally Printed Graphics

Final Layout and/or Graphic Rendering to be Completed upon Verification of Field Measurements

PROPRIETARY AND CONFIDENTIAL

THE INFORMATION CONTAINED IN THIS DRAWING IS THE SOLE PROPERTY OF SPORTSFIELD SPECIALTIES INC. ANY REPRODUCTION IN PART OR AS A WHOLE WITHOUT THE WRITTEN PERMISSION OF SPORTSFIELD SPECIALTIES INC. IS PROHIBITED.

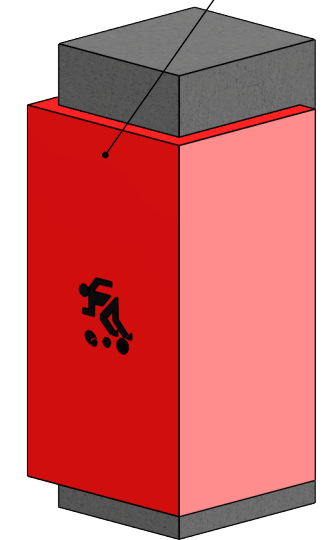
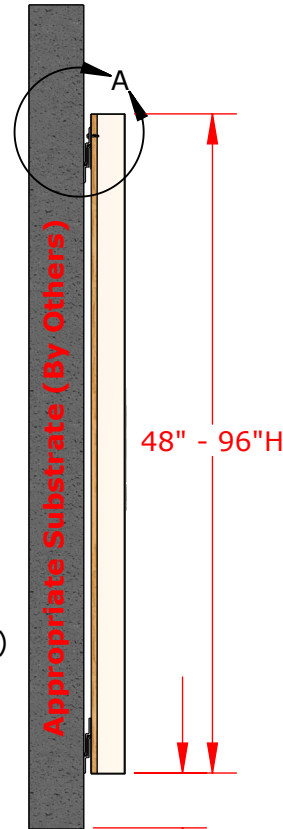
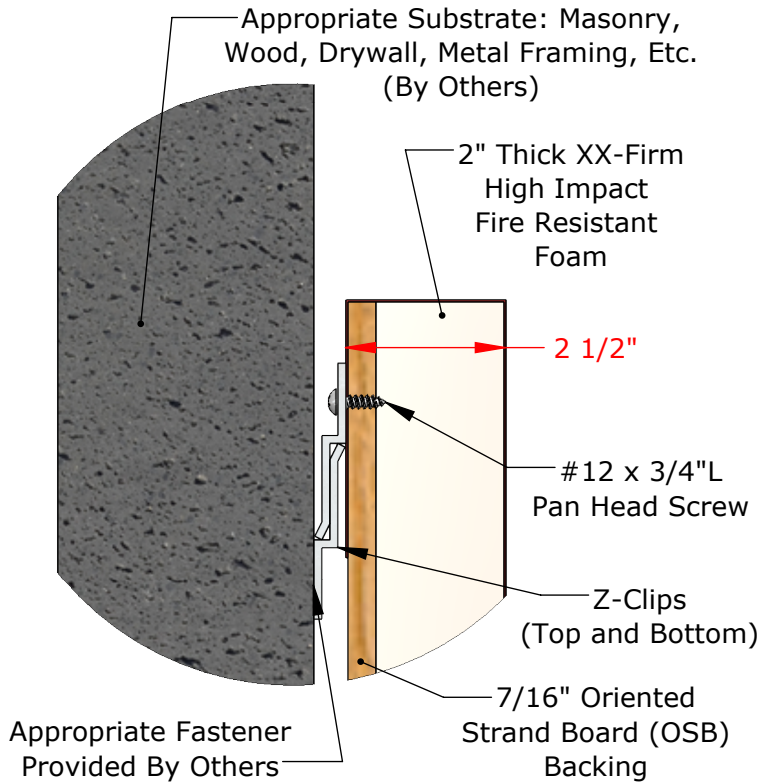
WZTBXFR ProSafe Premium Fire Rated Wall Pad Z-Clip Attachment Top and Bottom

Not To Scale

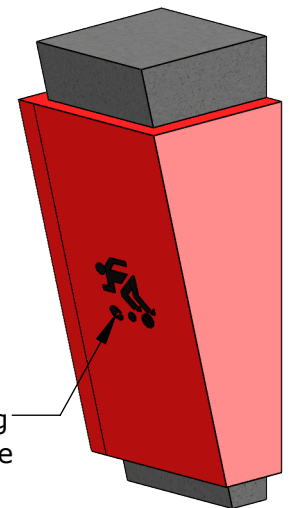
Sportsfield Specialties Inc 08112020

Meets/Exceeds ASTM E-84 Class A Fire Rating and ASTM F2440-11 Requirements for Impact Absorption

14 oz. Indoor Vinyl, Class A Fire Rated (ASTM E-84), Various Standard Colors Available

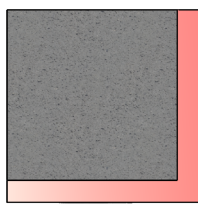


Squared Column Pad

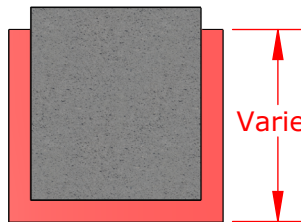


Tapered Column Pad

2 Sided Pad



3 Sided Pad



Varies (for 2-sided pad) / Varies (for 3-sided pad)

4" Clearance Typical

Optional Custom Digitally Printed Lettering And/Or Graphics Available

Part Numbers	Description
COPZTB2XFR	2 Sided, Squared
COPZTB2TXFR	2 Sided, Tapered
COPZTB3XFR	3 Sided, Squared
COPZTB3TXFR	3 Sided, Tapered

Final Layout and/or Graphic Rendering to be Completed upon Verification of Field Measurements

PROPRIETARY AND CONFIDENTIAL

THE INFORMATION CONTAINED IN THIS DRAWING IS THE SOLE PROPERTY OF SPORTSFIELD SPECIALTIES INC. ANY REPRODUCTION IN PART OR AS A WHOLE WITHOUT THE WRITTEN PERMISSION OF SPORTSFIELD SPECIALTIES INC. IS PROHIBITED.

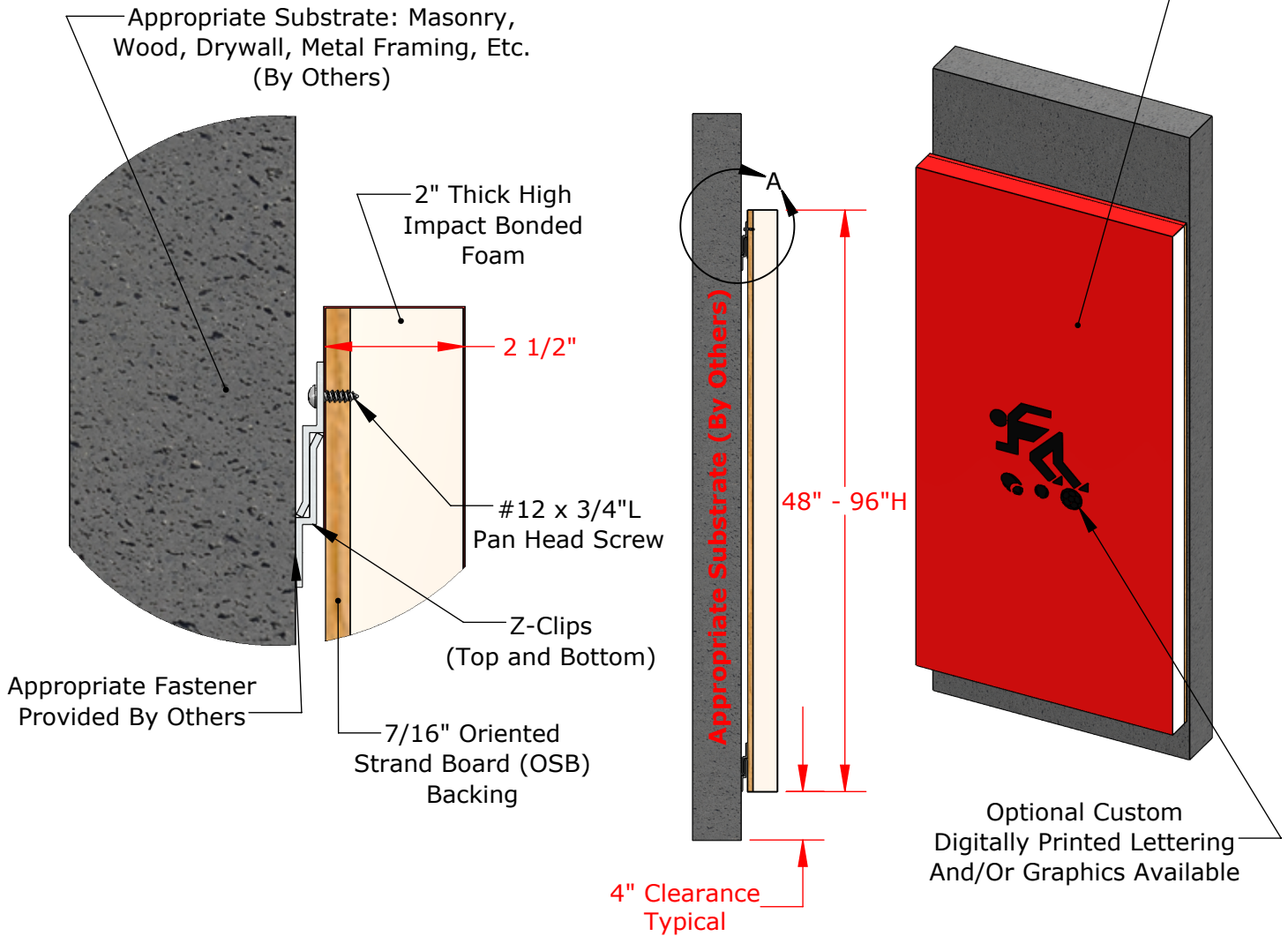
COPZTBXFR ProSafe Premium Fire Rated Column Pad with Z-Clips

Not To Scale

Sportsfield Specialties Inc 08112020

Meets/Exceeds ASTM F2440-11
Requirements for Impact Absorption

14 oz. Indoor Vinyl, Class A Fire Rated (ASTM E-84),
Various Standard Colors Available



Part Numbers *	Size
WZTBHI242/WZTBHI242DG	2'W x 4'L x 2.5"D
WZTBHI252/WZTBHI252DG	2'W x 5'L x 2.5"D
WZTBHI262/WZTBHI262DG	2'W x 6'L x 2.5"D
WZTBHI272/WZTBHI272DG	2'W x 7'L x 2.5"D
WZTBHI282/WZTBHI282DG	2'W x 8'L x 2.5"D
WZTBHI-NSS/WZTBHIDG-NSS	_ 'W x _ 'L x 2.5"D

*DG Part Number Denotes Custom Digitally Printed Graphics

Final Layout and/or Graphic Rendering to be Completed upon Verification of Field Measurements

PROPRIETARY AND CONFIDENTIAL

THE INFORMATION CONTAINED IN THIS DRAWING IS THE SOLE PROPERTY OF SPORTSFIELD SPECIALTIES INC. ANY REPRODUCTION IN PART OR AS A WHOLE WITHOUT THE WRITTEN PERMISSION OF SPORTSFIELD SPECIALTIES INC. IS PROHIBITED.

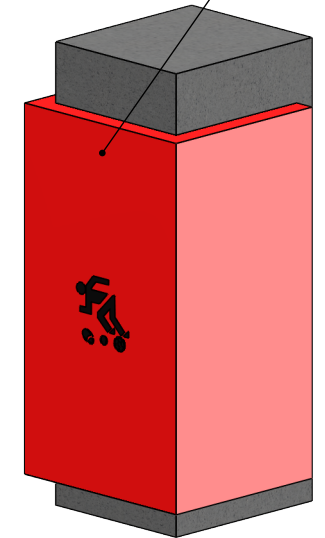
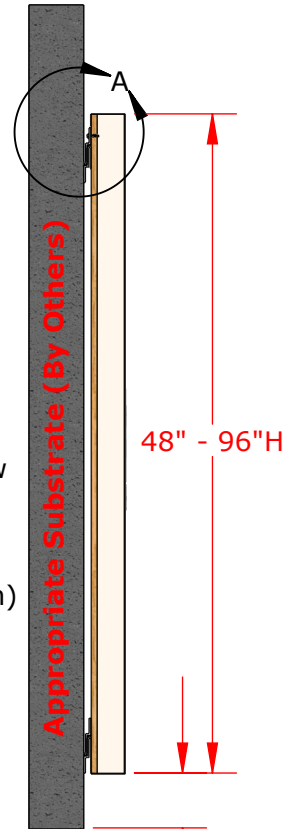
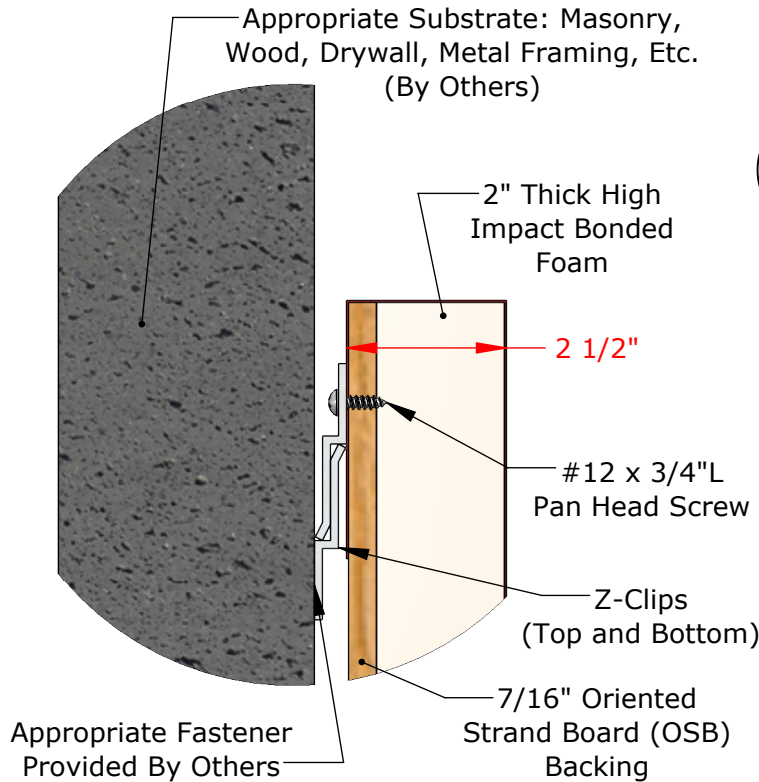
**WZTBHI High Impact Wall Pad
Z-Clip Attachment Top and Bottom**

Not To Scale

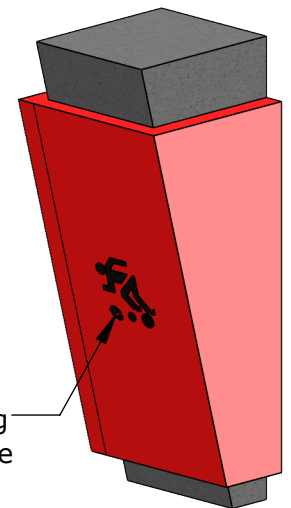
Sportsfield Specialties Inc 08112020

Meets/Exceeds ASTM F2440-11
Requirements for Impact Absorption

14 oz. Indoor Vinyl, Class A Fire Rated (ASTM E-84),
Various Standard Colors Available

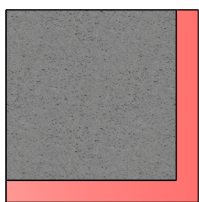


Squared Column Pad

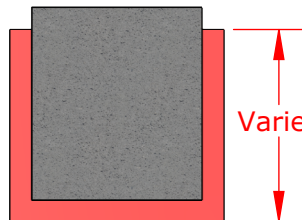


Tapered Column Pad

2 Sided Pad



3 Sided Pad



Varies

Varies

Varies

Optional Custom Digitally Printed Lettering And/Or Graphics Available

Part Numbers	Description
COPZTB2HI	2 Sided, Squared
COPZTB2THI	2 Sided, Tapered
COPZTB3HI	3 Sided, Squared
COPZTB3THI	3 Sided, Tapered

Final Layout and/or Graphic Rendering to be Completed upon Verification of Field Measurements

PROPRIETARY AND CONFIDENTIAL

THE INFORMATION CONTAINED IN THIS DRAWING IS THE SOLE PROPERTY OF SPORTSFIELD SPECIALTIES INC. ANY REPRODUCTION IN PART OR AS A WHOLE WITHOUT THE WRITTEN PERMISSION OF SPORTSFIELD SPECIALTIES INC. IS PROHIBITED.

COPZTBHI High Impact Column Pad with Z-Clips

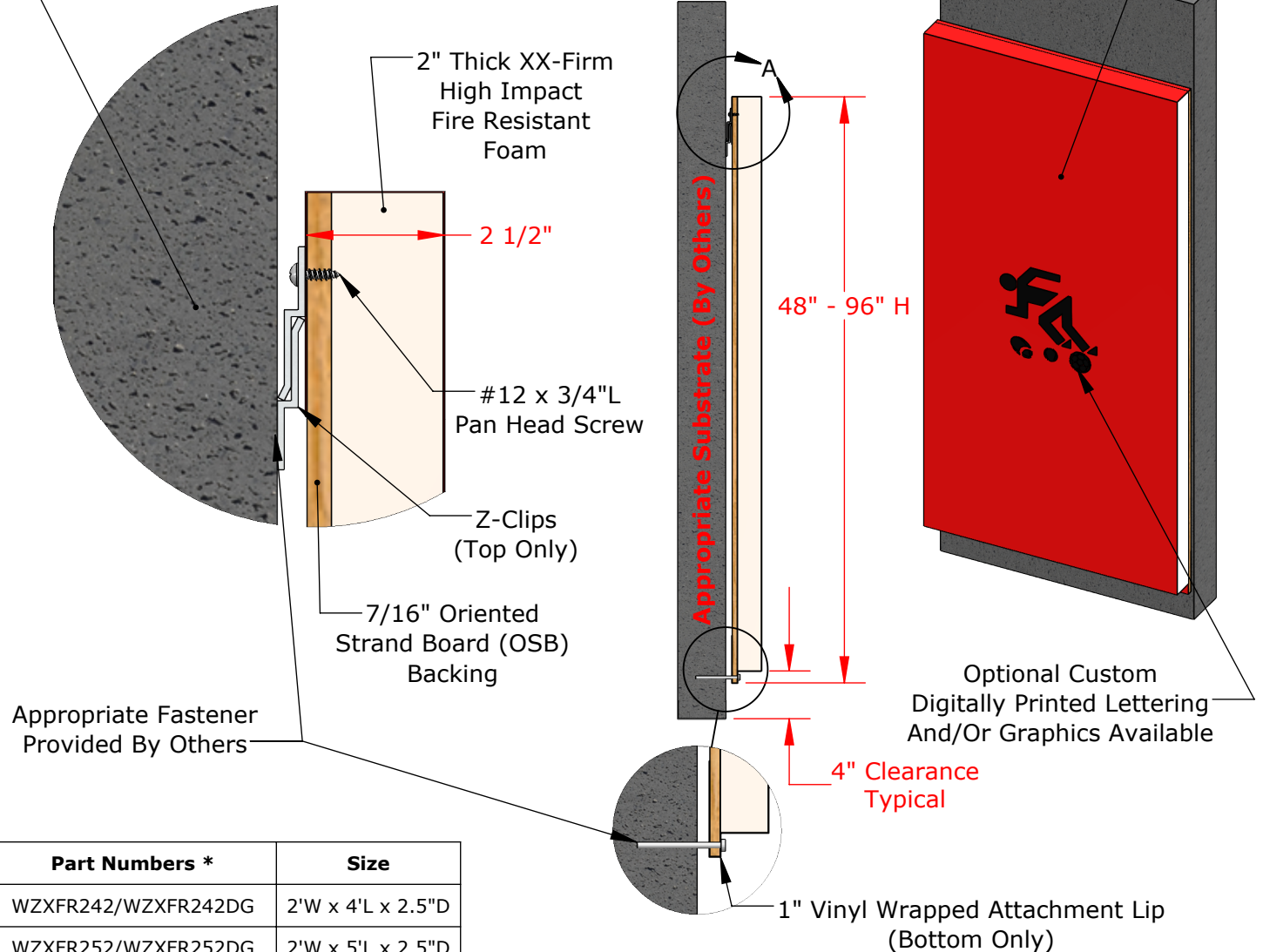
Not To Scale

Sportsfield Specialties Inc 08112020

Meets/Exceeds ASTM E-84 Class A Fire Rating and ASTM F2440-11 Requirements for Impact Absorption

14 oz. Indoor Vinyl, Class A Fire Rated (ASTM E-84), Various Standard Colors Available

Appropriate Substrate: Masonry, Wood, Drywall, Metal Framing, Etc. (By Others)



Appropriate Fastener Provided By Others

Part Numbers *	Size
WZXFR242/WZXFR242DG	2'W x 4'L x 2.5"D
WZXFR252/WZXFR252DG	2'W x 5'L x 2.5"D
WZXFR262/WZXFR262DG	2'W x 6'L x 2.5"D
WZXFR272/WZXFR272DG	2'W x 7'L x 2.5"D
WZXFR282/WZXFR282DG	2'W x 8'L x 2.5"D
WZXFR-NSS/WZXFRDG-NSS	_ 'W x _ 'L x 2.5"D

*DG Part Number Denotes Custom Digitally Printed Graphics

Final Layout and/or Graphic Rendering to be Completed upon Verification of Field Measurements

PROPRIETARY AND CONFIDENTIAL

THE INFORMATION CONTAINED IN THIS DRAWING IS THE SOLE PROPERTY OF SPORTSFIELD SPECIALTIES INC. ANY REPRODUCTION IN PART OR AS A WHOLE WITHOUT THE WRITTEN PERMISSION OF SPORTSFIELD SPECIALTIES INC. IS PROHIBITED.

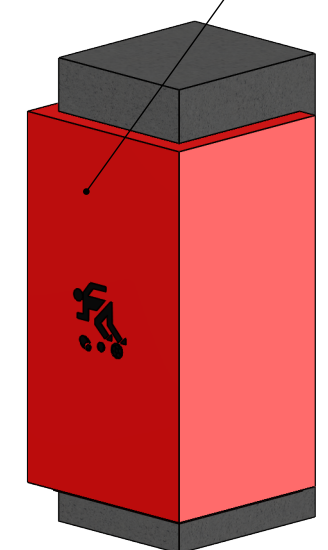
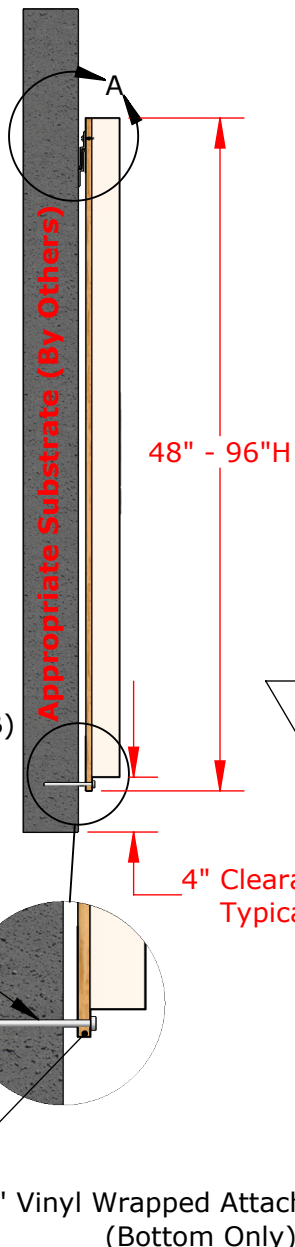
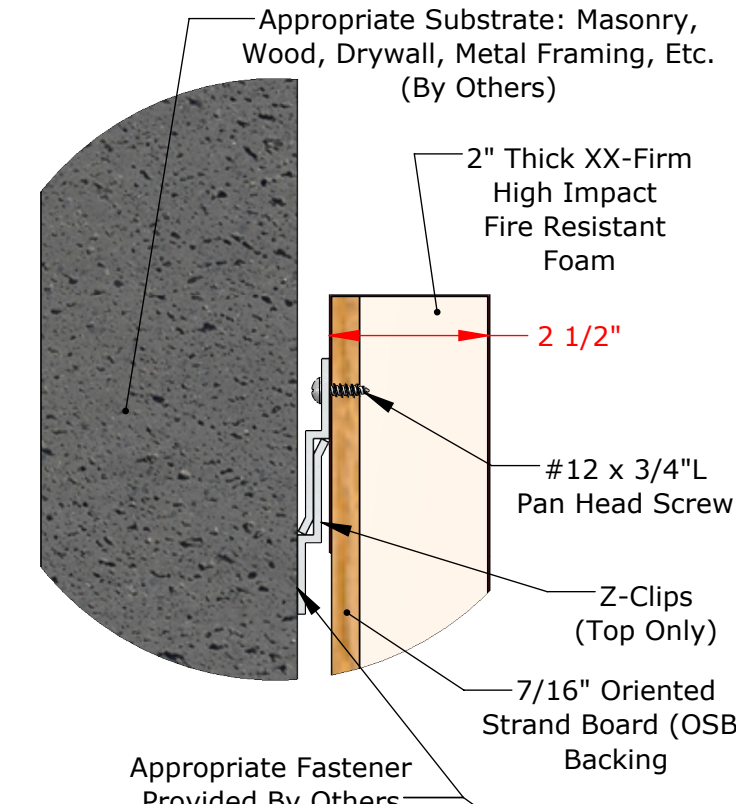
**WZXFR ProSafe Premium Fire Rated Wall Pad
Z-Clip Top and Attachment Lip Bottom**

Not To Scale

Sportsfield Specialties Inc 08112020

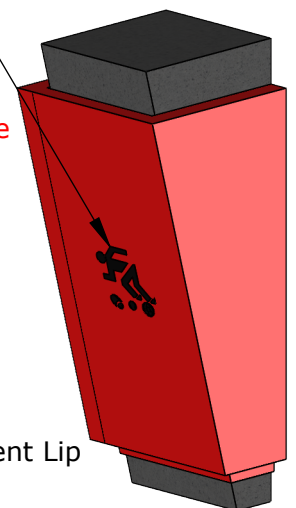
Meets/Exceeds ASTM E-84 Class A Fire Rating and ASTM F2440-11 Requirements for Impact Absorption

14 oz. Indoor Vinyl, Class A Fire Rated (ASTM E-84), Various Standard Colors Available

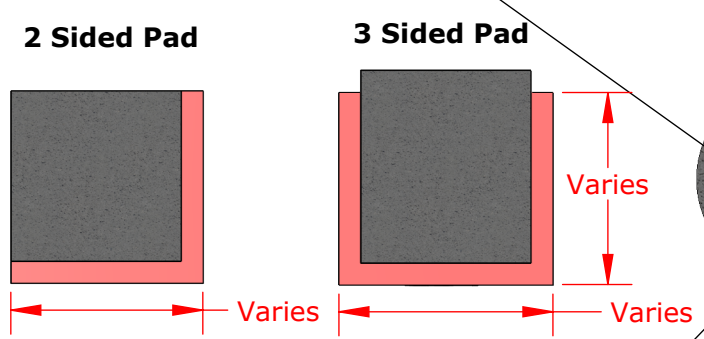


Squared Column Pad

Optional Custom Digitally Printed Lettering And/Or Graphics Available



Tapered Column Pad



Part Numbers	Description
COPZ2XFR	2 Sided, Squared
COPZ2TXFR	2 Sided, Tapered
COPZ3XFR	3 Sided, Squared
COPZ3XTFR	3 Sided, Tapered

Final Layout and/or Graphic Rendering to be Completed upon Verification of Field Measurements

PROPRIETARY AND CONFIDENTIAL

THE INFORMATION CONTAINED IN THIS DRAWING IS THE SOLE PROPERTY OF SPORTSFIELD SPECIALTIES INC. ANY REPRODUCTION IN PART OR AS A WHOLE WITHOUT THE WRITTEN PERMISSION OF SPORTSFIELD SPECIALTIES INC. IS PROHIBITED.

COPZXFR ProSafe Premium Fire Rated Column Pad with Z-Clip and Attachment Lip

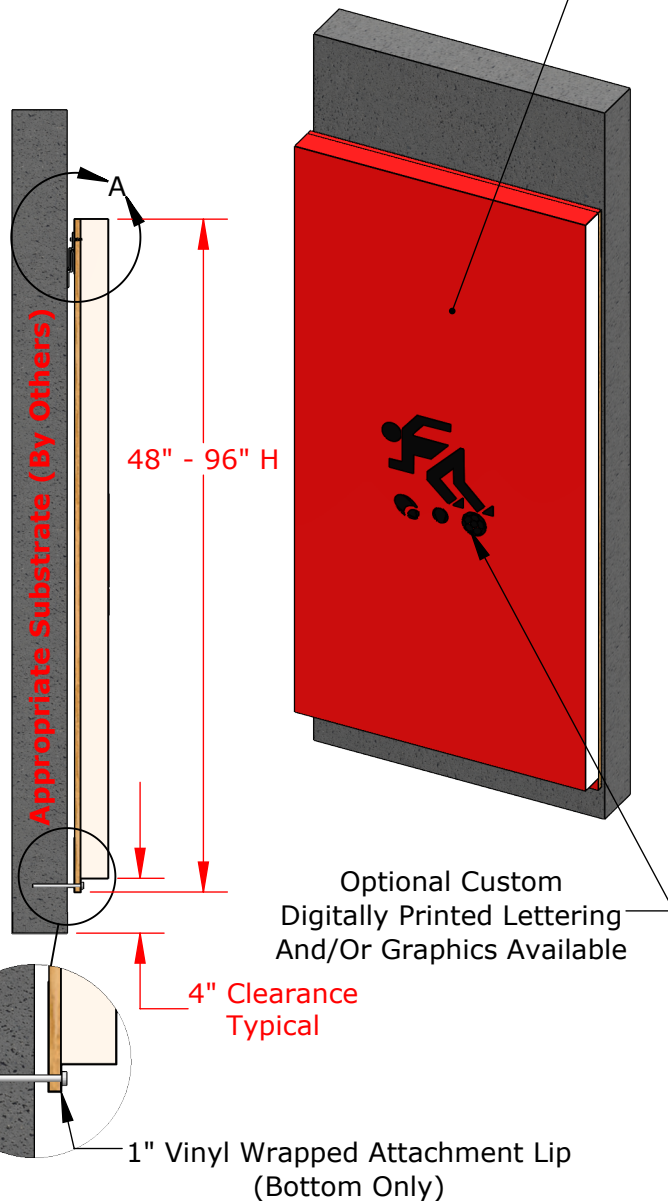
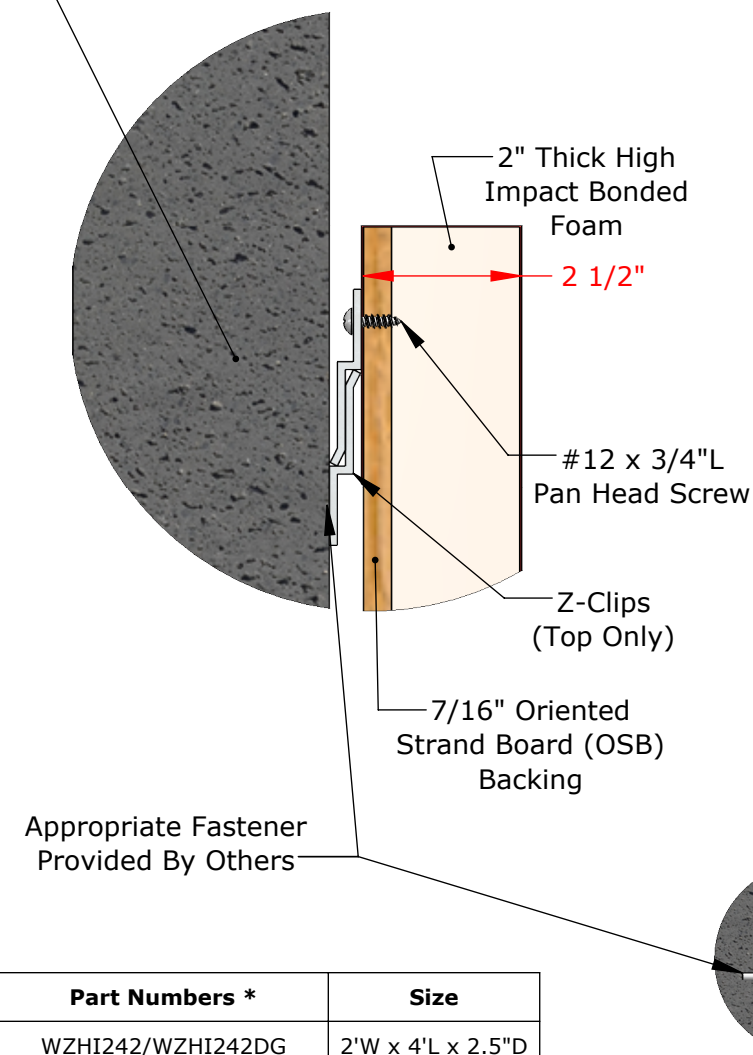
Not To Scale

Sportsfield Specialties Inc 08112020

Meets/Exceeds ASTM F2440-11
Requirements for Impact Absorption

14 oz. Indoor Vinyl, Class A Fire Rated (ASTM E-84),
Various Standard Colors Available

Appropriate Substrate: Masonry,
Wood, Drywall, Metal Framing, Etc.
(By Others)



Part Numbers *	Size
WZHI242/WZHI242DG	2'W x 4'L x 2.5"D
WZHI252/WZHI252DG	2'W x 5'L x 2.5"D
WZHI262/WZHI262DG	2'W x 6'L x 2.5"D
WZHI272/WZHI272DG	2'W x 7'L x 2.5"D
WZHI282/WZHI282DG	2'W x 8'L x 2.5"D
WZHI-NSS/WZHIDG-NSS	_ 'W x _ 'L x 2.5"D

*DG Part Number Denotes Custom Digitally Printed Graphics

Final Layout and/or Graphic Rendering to be Completed upon Verification of Field Measurements

PROPRIETARY AND CONFIDENTIAL

THE INFORMATION CONTAINED IN THIS DRAWING IS THE SOLE PROPERTY OF SPORTSFIELD SPECIALTIES INC. ANY REPRODUCTION IN PART OR AS A WHOLE WITHOUT THE WRITTEN PERMISSION OF SPORTSFIELD SPECIALTIES INC. IS PROHIBITED.

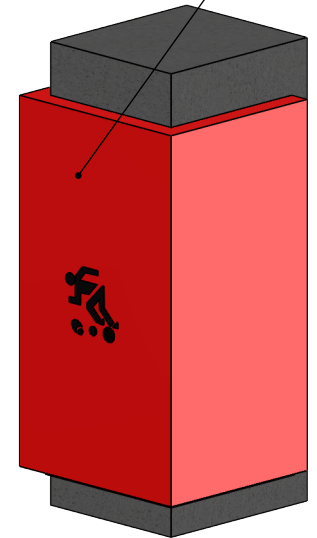
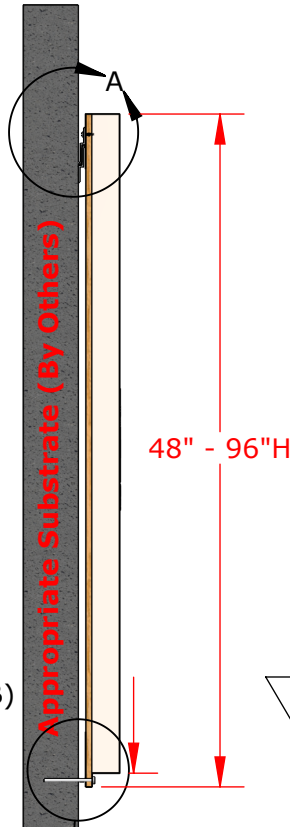
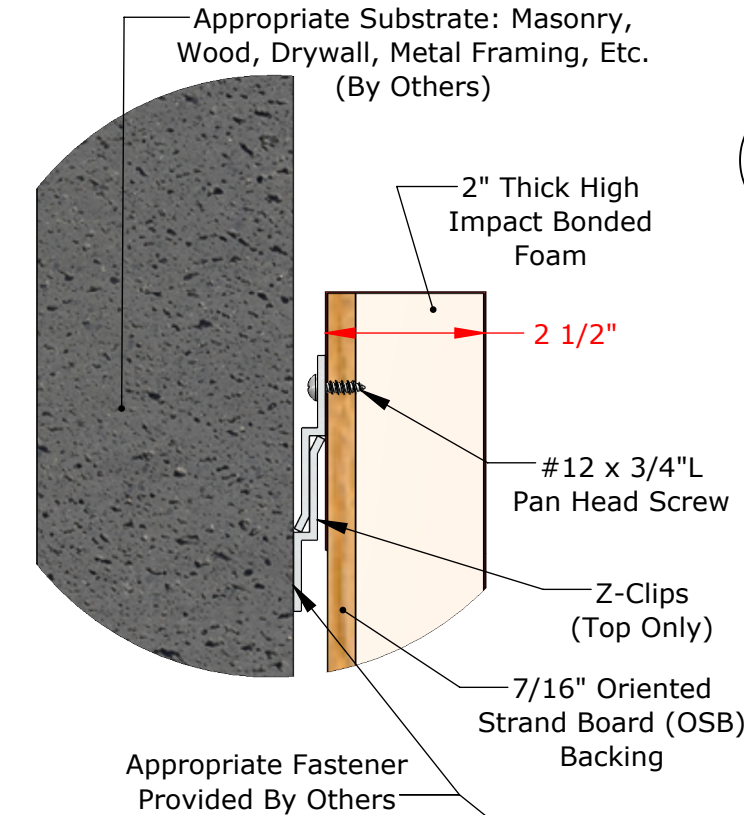
**WZHI High Impact Wall Pad
Z-Clip Top and Attachment Lip Bottom**

Not To Scale

Sportsfield Specialties Inc 08112020

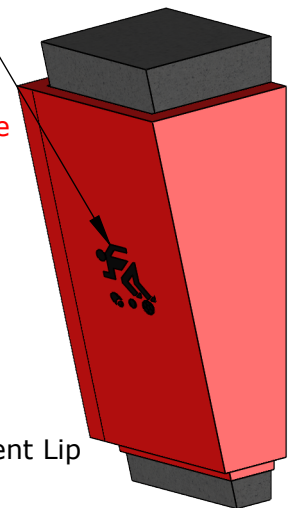
Meets/Exceeds ASTM F2440-11
Requirements for Impact Absorption

14 oz. Indoor Vinyl, Class A Fire Rated (ASTM E-84),
Various Standard Colors Available



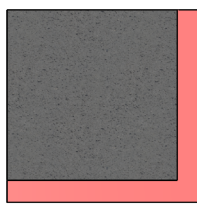
Squared Column Pad

Optional Custom Digitally Printed Lettering And/Or Graphics Available

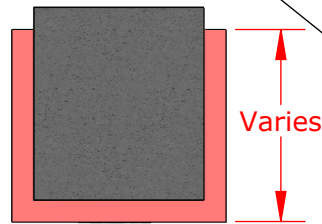


Tapered Column Pad

2 Sided Pad



3 Sided Pad



Varies

Varies

Varies

Part Numbers	Description
COPZ2HI	2 Sided, Squared
COPZ2THI	2 Sided, Tapered
COPZ3HI	3 Sided, Squared
COPZ3THI	3 Sided, Tapered

Final Layout and/or Graphic Rendering to be Completed upon Verification of Field Measurements

1" Vinyl Wrapped Attachment Lip (Bottom Only)

PROPRIETARY AND CONFIDENTIAL

THE INFORMATION CONTAINED IN THIS DRAWING IS THE SOLE PROPERTY OF SPORTSFIELD SPECIALTIES INC. ANY REPRODUCTION IN PART OR AS A WHOLE WITHOUT THE WRITTEN PERMISSION OF SPORTSFIELD SPECIALTIES INC. IS PROHIBITED.

COPZHI High Impact Column Pad with Z-Clip and Attachment Lip

Not To Scale

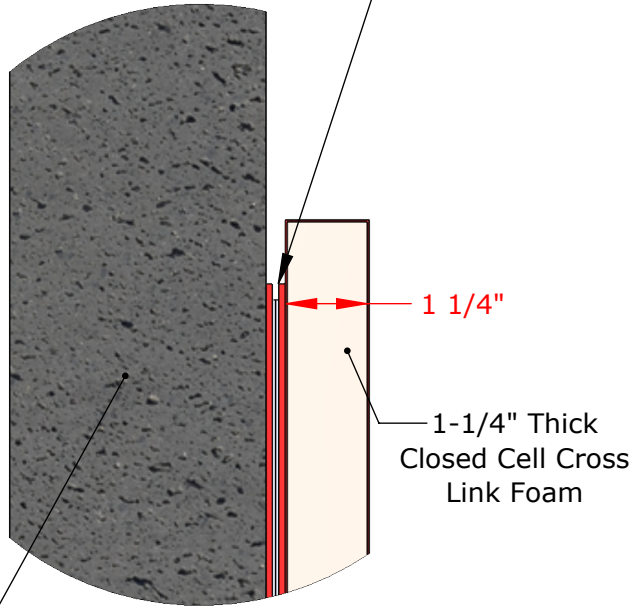
Sportsfield Specialties Inc 08112020

14 oz. Indoor Vinyl, Class A Fire Rated (ASTM E-84),
Various Standard Colors Available

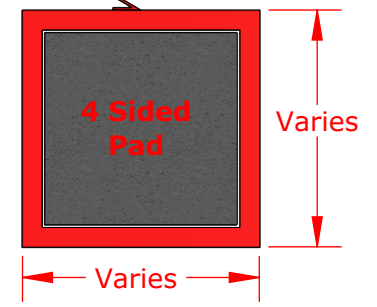
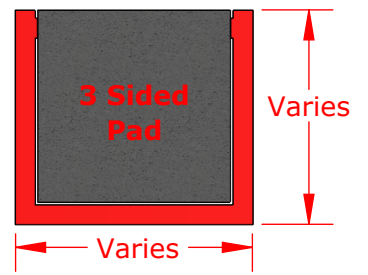
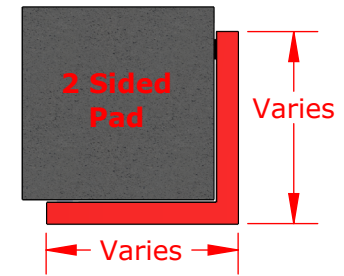
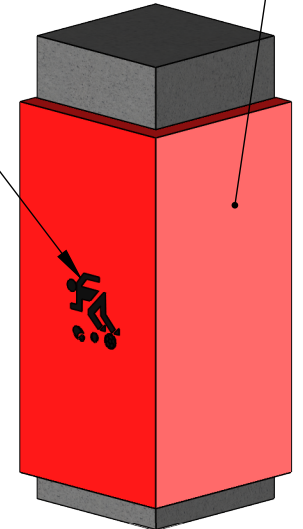
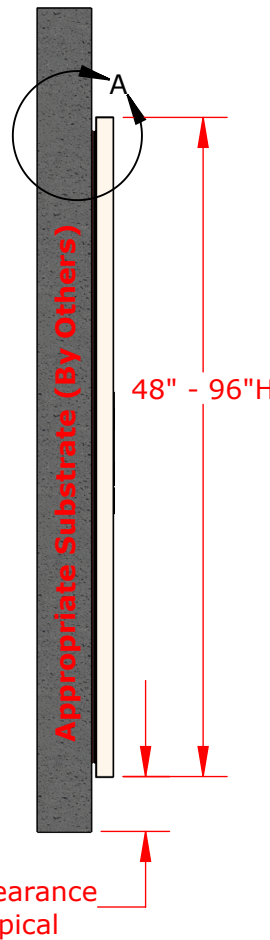
Meets/Exceeds ASTM F2440-11
Requirements for Impact Absorption

Optional Custom
Digitally Printed Lettering
And/Or Graphics Available

2" Factory Sewn Loop and Pressure
Sensitive Hook Attachment



Appropriate Substrate: Masonry,
Wood, Drywall, Metal Framing, Etc.
(By Others)



Part Numbers	Description
COV233	2 Sided
COV333	3 Sided
COV3T33	3 Sided, Tapered
COV433	4 Sided

Final Layout and/or
Graphic Rendering to be
Completed upon
Verification of Field
Measurements

PROPRIETARY AND CONFIDENTIAL
THE INFORMATION CONTAINED IN
THIS DRAWING IS THE SOLE PROPERTY
OF SPORTSFIELD SPECIALTIES INC.
ANY REPRODUCTION IN PART OR AS A
WHOLE WITHOUT THE WRITTEN
PERMISSION OF SPORTSFIELD
SPECIALTIES INC. IS PROHIBITED.

**COV High Impact Column Pad
with Hook and Loop**

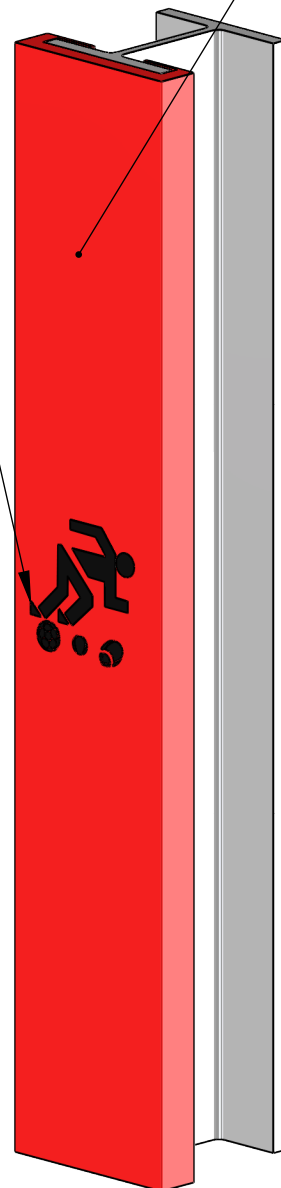
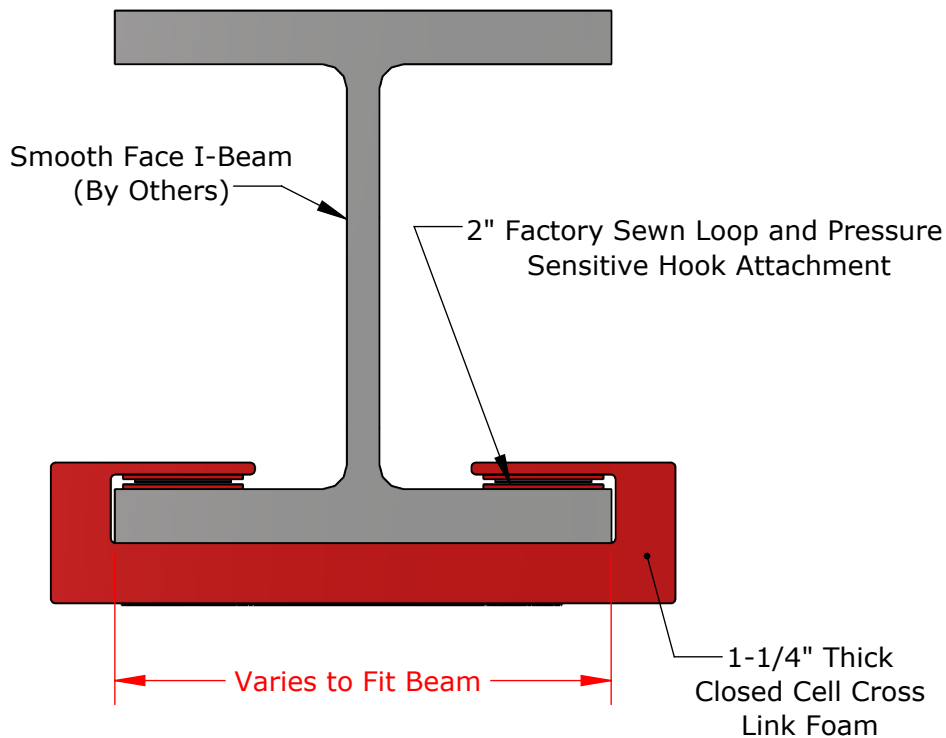
Not To Scale

Sportsfield Specialties Inc 08112020

Meets/Exceeds ASTM F2440-11
Requirements for Impact Absorption

14 oz. Indoor Vinyl, Class A Fire Rated (ASTM E-84),
Various Standard Colors Available

Optional Custom
Digitally Printed Lettering
And/Or Graphics Available



Part Numbers	Description
IBHI6	6" W x 72" H x 1-1/4" D
IBHI8	8" W x 72" H x 1-1/4" D
IBHI10	10" W x 72" H x 1-1/4" D
IBHI12	12" W x 72" H x 1-1/4" D

Final Layout and/or
Graphic Rendering to be
Completed upon
Verification of Field
Measurements

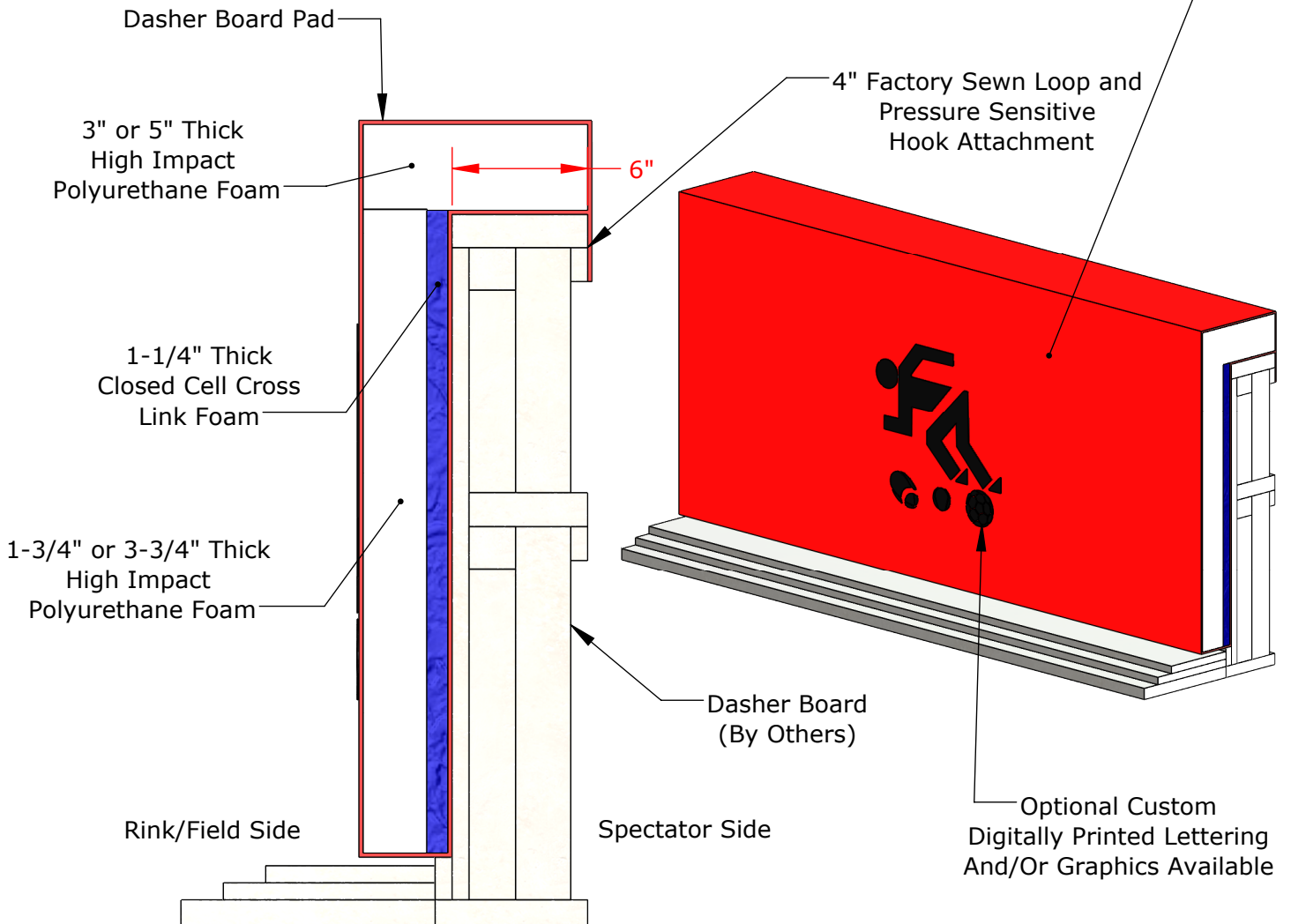
PROPRIETARY AND CONFIDENTIAL
THE INFORMATION CONTAINED IN
THIS DRAWING IS THE SOLE PROPERTY
OF SPORTSFIELD SPECIALTIES INC.
ANY REPRODUCTION IN PART OR AS A
WHOLE WITHOUT THE WRITTEN
PERMISSION OF SPORTSFIELD
SPECIALTIES INC. IS PROHIBITED.

**IBHI High Impact I-Beam Pad
with Hook and Loop**

Not To Scale Sportsfield Specialties Inc 08112020

Meets/Exceeds ASTM F2440-11
Requirements for Impact Absorption

14 oz. Indoor Vinyl, Class A Fire Rated (ASTM E-84),
Various Standard Colors Available



Part Numbers	Description
DBPCF342	96"W x 42"H x 6" Return, 3" Thick
DBPCF348	96"W x 48"H x 6" Return, 3" Thick
DBPCF542	96"W x 42"H x 6" Return, 5" Thick
DBPCF548	96"W x 48"H x 6" Return, 3" Thick
DBPCF-NSS	__"W x __"H x __" Return, __" Thick

Final Layout and/or
Graphic Rendering to be
Completed upon
Verification of Field
Measurements

PROPRIETARY AND CONFIDENTIAL

THE INFORMATION CONTAINED IN THIS DRAWING IS THE SOLE PROPERTY OF SPORTSFIELD SPECIALTIES INC. ANY REPRODUCTION IN PART OR AS A WHOLE WITHOUT THE WRITTEN PERMISSION OF SPORTSFIELD SPECIALTIES INC. IS PROHIBITED.

DBPCF Dasher Board Pad with Hook and Loop

Not To Scale

Sportsfield Specialties Inc 08112020