

SPORTSFIELD SPECIALTIES

www.sportsfield.com | 888-975-3343

CONTENTS

- Regulation Soccer Goals
- International Soccer Goals
- Youth Size Soccer Goals
- Futsal Goals
- Soccer Goal Accessories



Soccer Goals & Accessories



Sportsfield Specialties, Inc. 41155 State Hwy 10. Delhi, NY 13753



Excellence from Design to Installation



Skiddable Base



Regulation Soccer Goals

PRODUCT OVERVIEW

- 8'x24' TIG welded, portable aluminum construction
- Integrated aluminum net clips guaranteed for the life of the goal
- Optional wheel kits and skiddable base available for transport
- Super durable white powder coated finish
- Premium 5mm braided knotless soccer goal net
- Round or square post models offered
- 5-year manufacturer's warranty

Item Number	Product Description
SG824R	Regulation soccer goal, round faced - 8'H x 24'L
SG824RS	Regulation soccer goal, round faced with skids - 8'H x 24'L
SG824S	Regulation soccer goal, square post - 8'H x 24'L
SG824RE	Regulation European soccer goal, round post - 8'H x 24'L

International Soccer Goals

PRODUCT OVERVIEW

- Round post international goal design for elite soccer programs
- Removable ground sleeve design or NEW portable model available
- Includes regulation net with hexagonal mesh and three tie-back net support posts
- High strength, TIG welded aluminum construction with super durable powder coated finish
- Integrated aluminum net clips guaranteed for life of the life of the goal
- 5-year manufacturer's warranty
- Removable Model: Includes hinged ground bar for ease of maintenance
- Portable Model: Features unique worm gear design to easily raise and lower the net; includes four (4) large solid rubber swiveling wheels for ease of transport



Item Number	Product Description
SG824RINT	International soccer goal, semi-permanent - 8'H x 24'L
SG824RINTPT	International soccer goal, portable - 8'H x 24'L



Youth Size Soccer Goals

PRODUCT OVERVIEW

- Complete range of youth size goals from 4' x 6' to 7' x 21'
- High strength, TIG welded aluminum construction
- White super durable powder coated finish
- Integrated aluminum net clips guaranteed for life of the goal
- Includes white 3mm braided, knotless soccer net
- Optional wheel kits and skiddable base available for applicable models

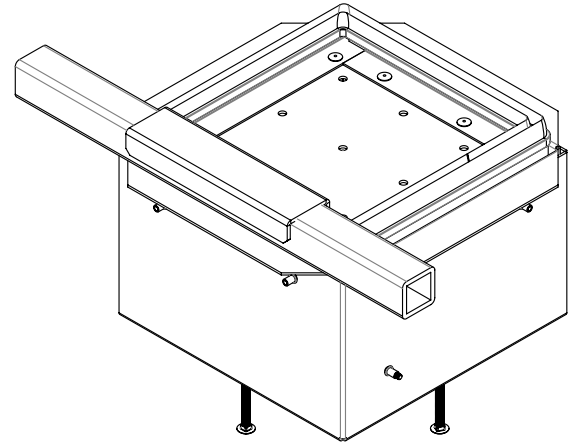
Item Number	Product Description
SG46	Youth soccer goal, round faced - 4'H x 6'L
SG612	Youth soccer goal, square post - 6'6"H x 12'L
SG618R	Youth soccer goal, round faced - 6'6"H x 18'6"L
SG618RS	Youth soccer goal, round faced with skiddable base - 6'6"H x 18'6"L
SG618S	Youth soccer goal, square post - 6'6"H x 18'6"L
SG618RINT	Youth soccer goal, round faced, semi-permanent international - 6'6"H x 18'6"L
SG721R	Youth soccer goal, round faced - 7'H x 21'L
SG721RS	Youth soccer goal, round faced with skiddable base - 7'H x 21'L
SG721S	Youth soccer goal, square post - 7'H x 21'L

SG2S® Lockdown Safety System

PRODUCT OVERVIEW

- Patented design secures the rear ground bar and eliminates risk of tip-over
- Pivoting clamp mechanism conveniently stores inside box when not in use
- Exclusively compatible with Sportsfield soccer goals
- Designed for synthetic infill turf or natural grass applications
- Synthetic turf models include exclusive infill retainage gasket and perimeter turf attachment ledge
- Aluminum construction with integral drainage stub
- Note: Synthetic turf models require turf to be applied by others; natural grass models include preinstalled synthetic turf with thatch layer
- U.S. Patents: #7,331,880; #7,527,569; and #8,777,784

Item Number	Product Description
SG2S	SG2S® lockdown safety system for synthetic turf
SG2SNG	SG2S® lockdown safety system for natural grass
SG2SCC	SG2S® cable clamp safety system for synthetic turf
SG2SNGCC	SG2S® cable clamp safety system for natural grass



SGMobile® Integrated Mobility Kit

PRODUCT OVERVIEW

- Industry exclusive integrated design retracts when not in use
- Simple spring pin operation to raise and lower wheel unit
- Allows for safe and convenient goal transport with two (2) adults

Item Number	Product Description
SGMKR	SGMobile® mobility kit for round faced soccer goals
SGMKS	SGMobile® mobility kit for square faced soccer goals

NEW! Mobility Innovation



Levered Soccer Goal Wheel Kits

PRODUCT OVERVIEW

- Conveniently raise and lower with removable levered handle
- 360 degree swivel wheels maneuver effortlessly in any direction
- Large 8" hard rubber tires compatible with all surface conditions
- 9" ground clearance to accommodate uneven terrain and curbs
- Levered pivot and lock mechanism eliminates manual lifting
- Removable handle can be stored to prevent unauthorized use
- Designed exclusively for use with Sportsfield soccer goal models

Item Number	Product Description
SGWKL	Levered soccer goal wheel kit, standard end frames
SGWKL4	Levered soccer goal wheel kit, 4" round end frames
SGWKL5	Levered soccer goal wheel kit, skiddable end frames





Futsal Goal

PRODUCT OVERVIEW

- Designed for indoor, small-sided 5 vs. 5 soccer play
- High strength, TIG welded aluminum construction
- White super durable powder coated finish
- Integrated aluminum net clips guaranteed for the life of the goal
- Includes white 3mm twisted, knotted polyethylene net

Item Number	Product Description
FG610R	Futsal goal, round faced - 6'7"H x 9'10"L
FG610S	Futsal goal, square post - 6'7"H x 9'10"L
FG610RINT	Futsal goal, international round faced - 6'7"H x 9'10"L



Corner Flags

PRODUCT OVERVIEW

- Set of four (4) soccer corner flags
- Red nylon flags with white cloth edges

Premier weighted model:

- 63"H x 1" O.D. high impact, white PVC upright
- Includes black 12" diameter high density weighted rubber base
- Ideal for synthetic turf field applications

International semi-permanent model:

- 60"H x 1.5" O.D. high impact, white PVC upright
- Includes steel spring and plastic ground sleeve with cap
- Ideal for natural grass field applications

Item Number	Product Description
SG6B1404	Soccer corner flags with weighted rubber base. Set of 4 - 63"H x 1"OD
SG6B701	International soccer corner flags with steel spring base and ground sleeve. Set of 4 - 60"H x 1.5"OD